



US00D980892S

(12) **United States Design Patent**
Li

(10) **Patent No.:** **US D980,892 S**

(45) **Date of Patent:** **** Mar. 14, 2023**

(54) **AUTOMOBILE DATA RECORDER**

(71) Applicant: **Jiujiang Damai Trading Co., Ltd.**,
Jiangxi (CN)

(72) Inventor: **Hongbao Li**, Jiangxi (CN)

(73) Assignee: **Jiujiang Damai Trading Co., Ltd.**,
Jiujiang (CN)

(**) Term: **15 Years**

(21) Appl. No.: **29/815,953**

(22) Filed: **Nov. 17, 2021**

(51) **LOC (14) Cl.** **16-01**

(52) **U.S. Cl.**
USPC **D16/202**; D14/167

(58) **Field of Classification Search**
USPC D16/200–203, 208, 217–218; D10/46,
D10/61, 62, 70, 104.1, 106.6, 109.1,
D10/109.2; D14/125, 203.1, 204, 317,
D14/474, 496

CPC G03B 17/02; G03B 21/10; G03B 2217/00;
H04N 5/2251; H04N 5/2252; H04N
5/23216

See application file for complete search history.

(56) **References Cited**

U.S. PATENT DOCUMENTS

D488,483 S *	4/2004	Hu	D14/363
D504,691 S *	5/2005	Ohno	D14/496
D516,083 S *	2/2006	Kataoka	D14/203.7
D520,001 S *	5/2006	Katayama	D14/358
D544,882 S *	6/2007	Kurihara	D14/496

D653,233 S *	1/2012	Hofer	D14/203.3
D676,075 S *	2/2013	Ku	D16/208
D727,765 S *	4/2015	Hoshal	D10/78
D733,138 S *	6/2015	Moammer	D14/383
D798,903 S *	10/2017	Isozaki	D14/496
D817,358 S *	5/2018	Choe	D14/203.3
D852,806 S *	7/2019	Gehring	D14/474
D858,610 S *	9/2019	Fang	D16/218
D868,725 S *	12/2019	Zhou	
D888,127 S *	6/2020	Lee	D16/202
D907,093 S *	1/2021	Hung	D16/202
D950,620 S *	5/2022	Guan	D16/202
D966,388 S *	10/2022	Chen	D16/202
D966,390 S *	10/2022	Zhang	D16/202
D966,391 S *	10/2022	Zhou	D16/202
D970,588 S *	11/2022	Li	D16/208
D971,990 S *	12/2022	Mu	D16/202

* cited by examiner

Primary Examiner — Austin Murphy

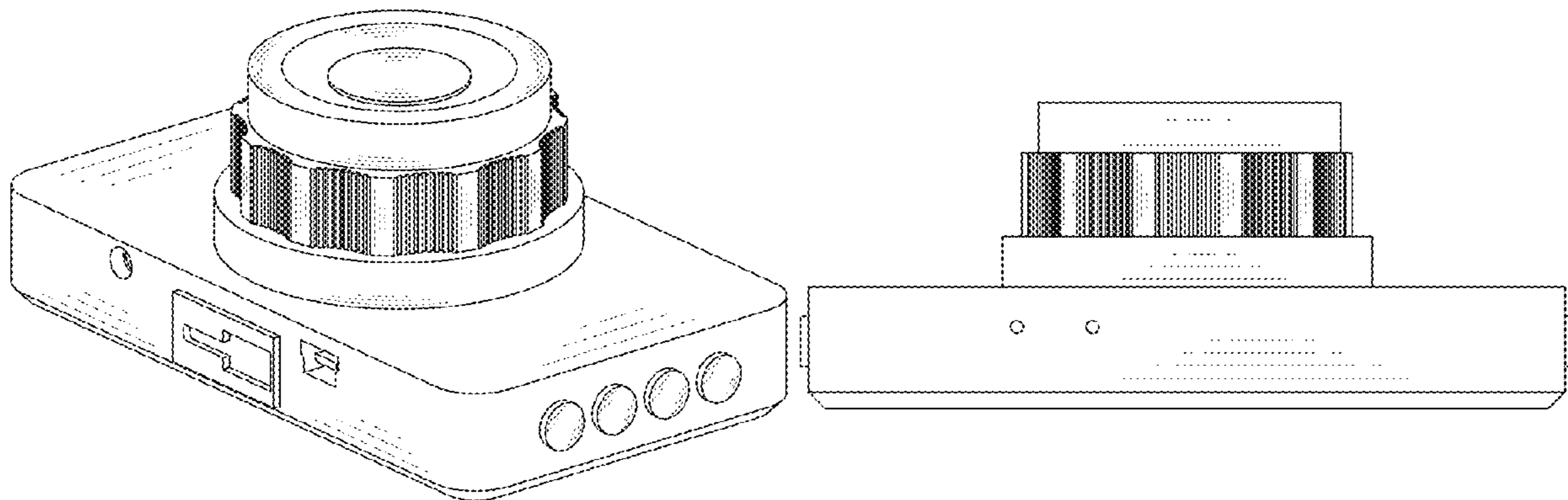
(57) **CLAIM**

The ornamental design for an automobile data recorder, as shown and described.

DESCRIPTION

FIG. 1 is a perspective view of an automobile data recorder showing my new design;
FIG. 2 is an alternative perspective view thereof;
FIG. 3 is a front view thereof;
FIG. 4 is a back view thereof;
FIG. 5 is a left side view thereof;
FIG. 6 is a right side view thereof;
FIG. 7 is a top plan view thereof; and,
FIG. 8 is a bottom plan view thereof.

1 Claim, 8 Drawing Sheets



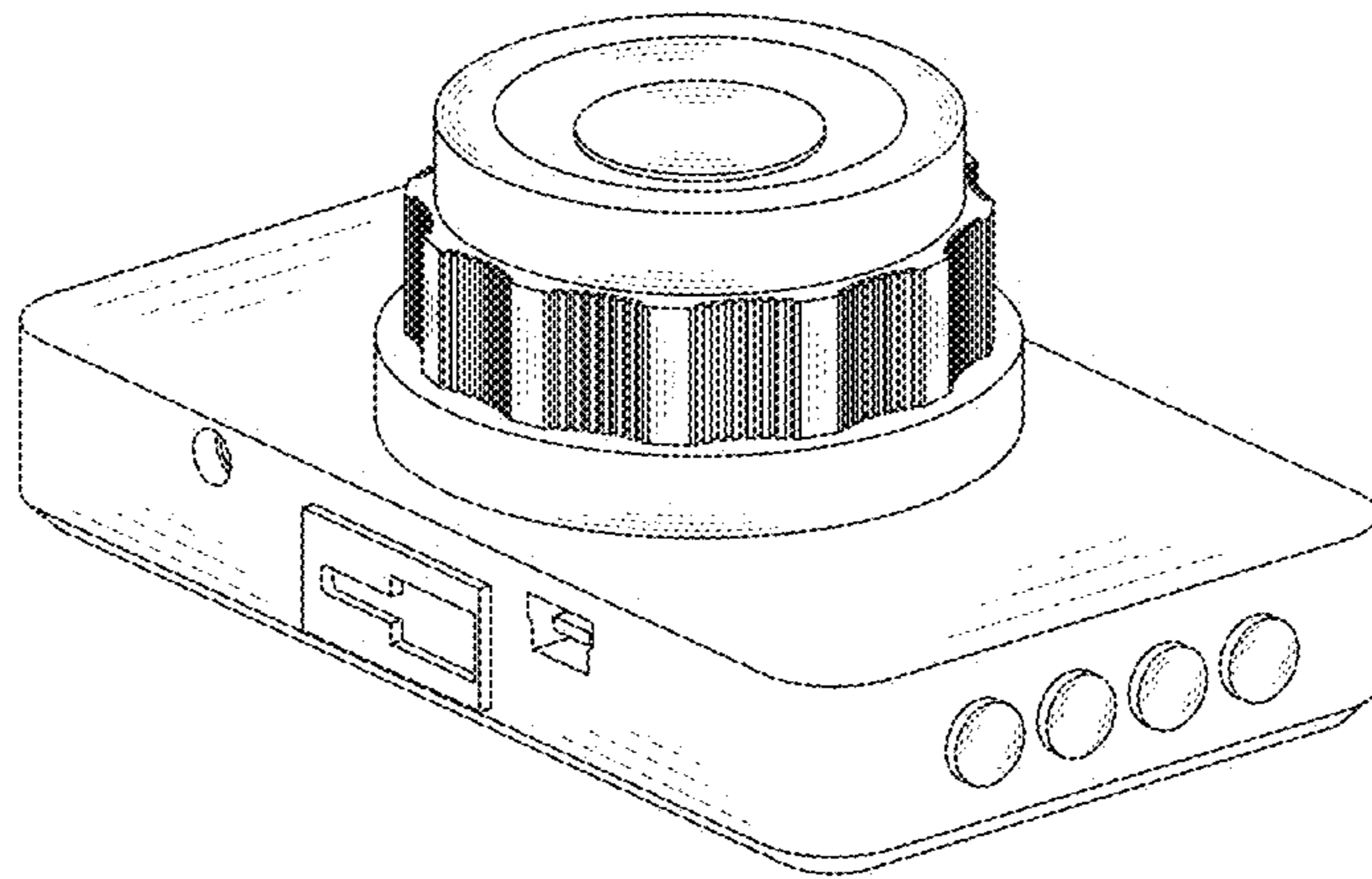


FIG. 1

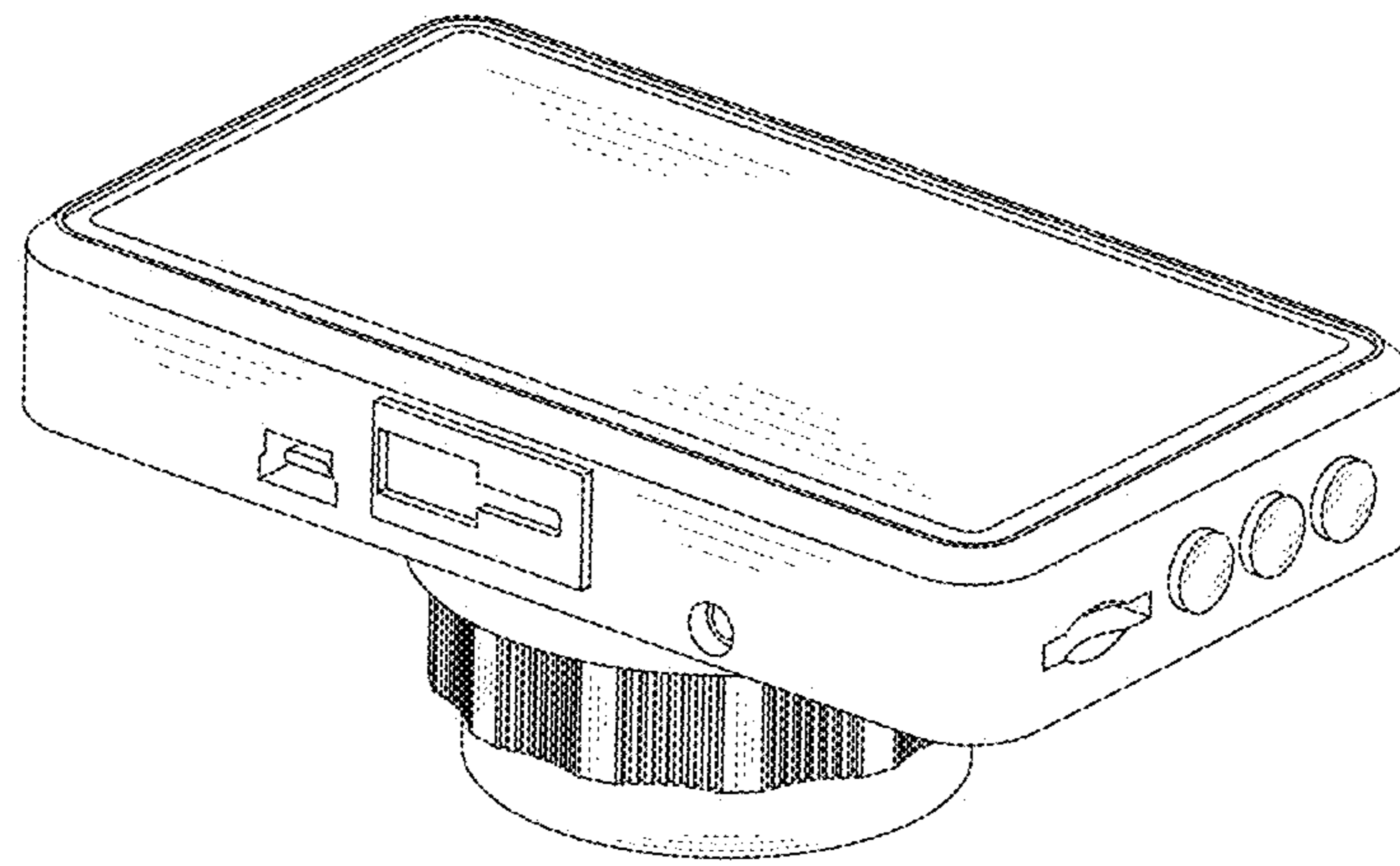


FIG. 2

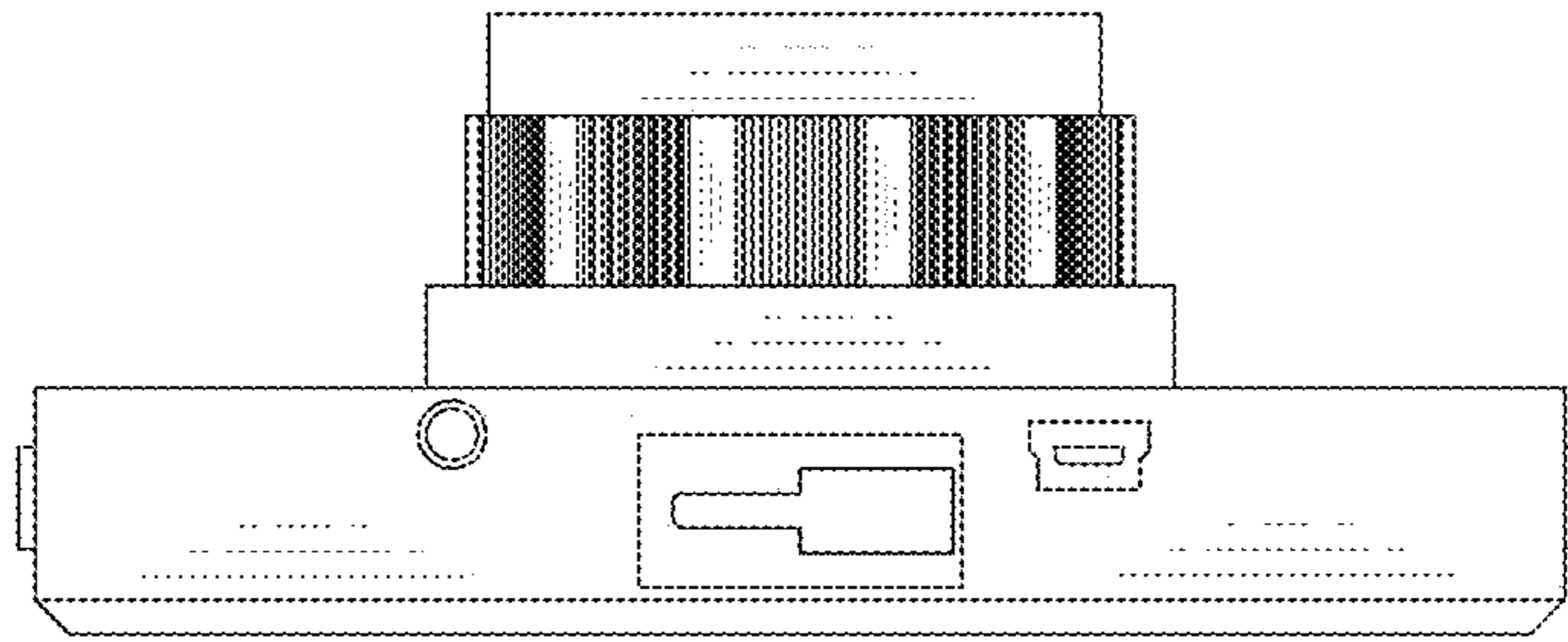


FIG. 3

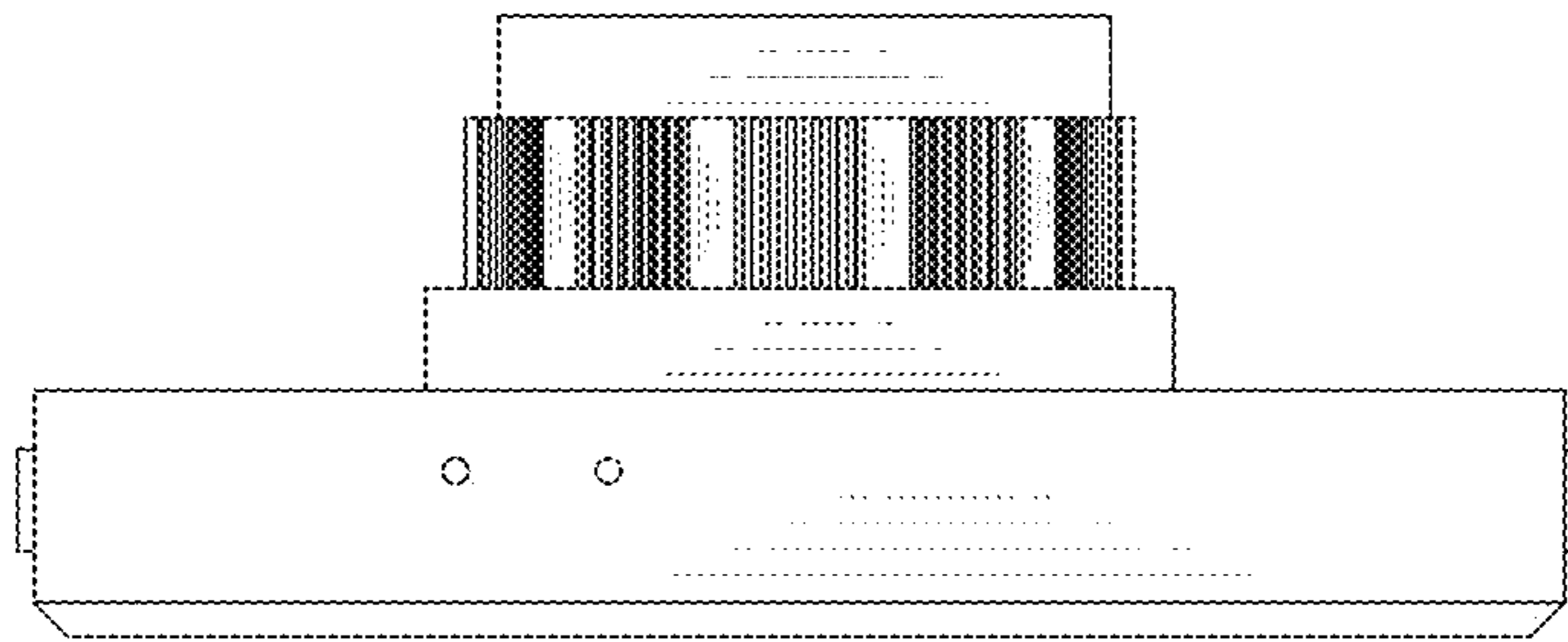


FIG. 4

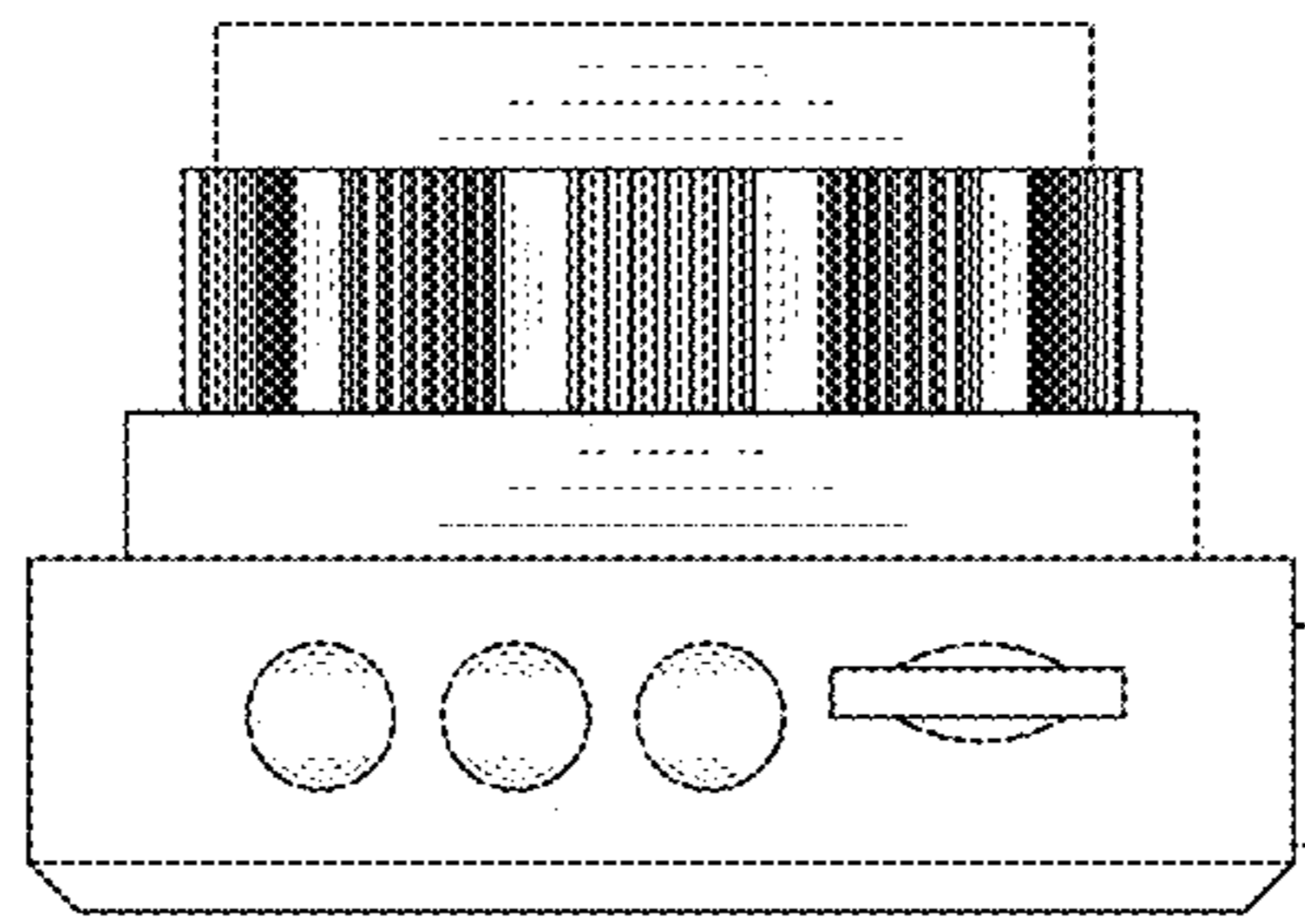


FIG. 5

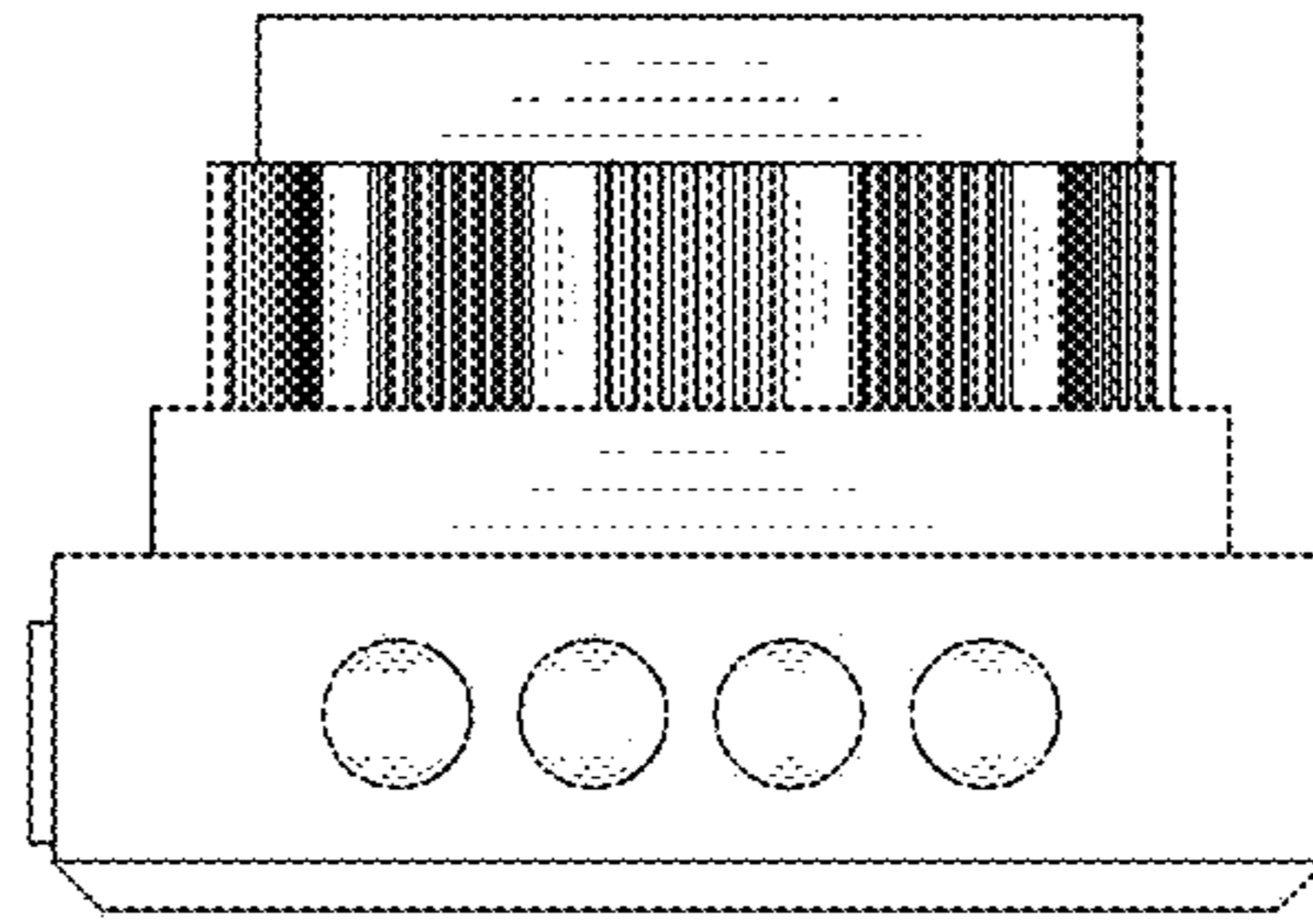


FIG. 6

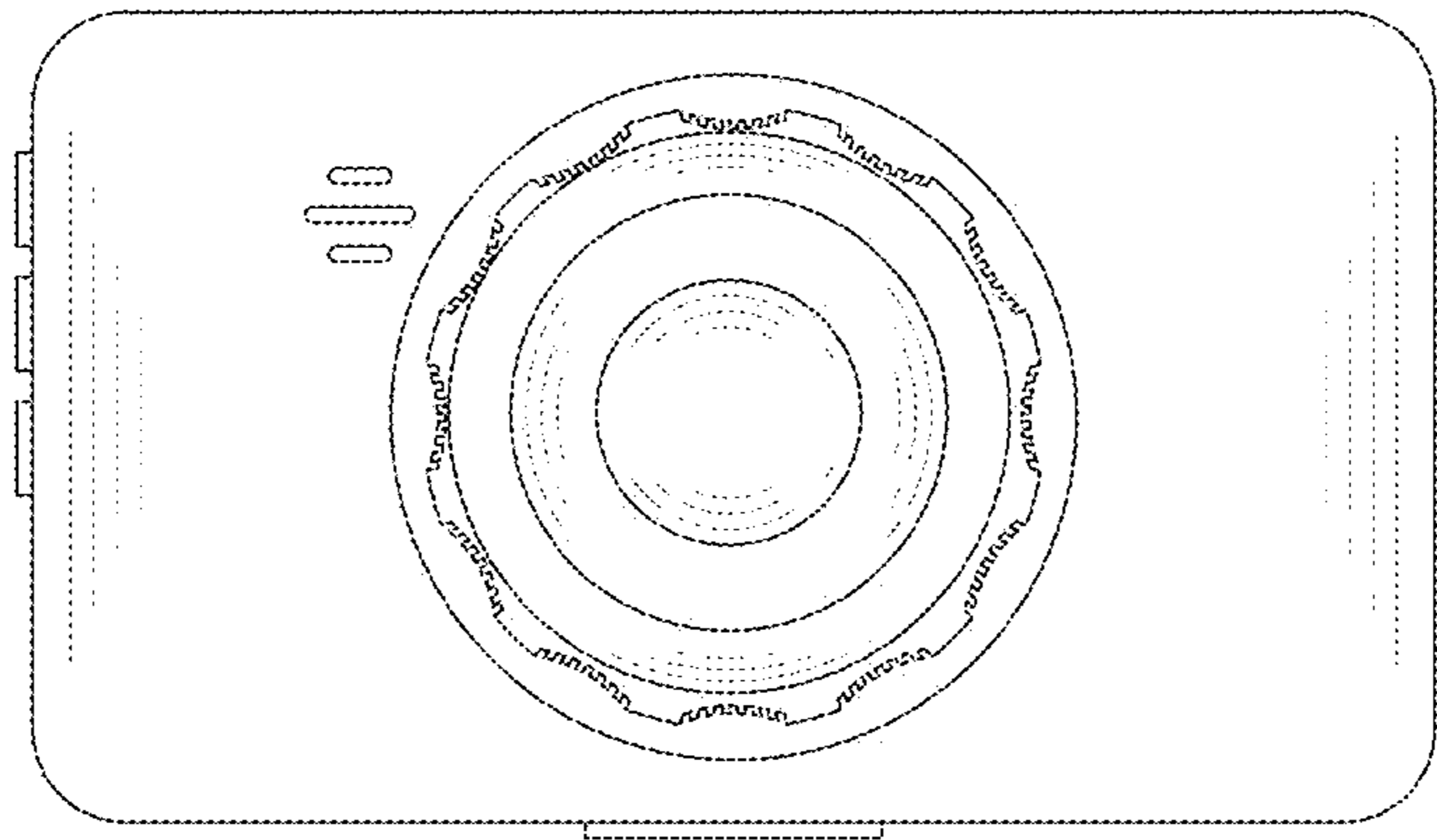


FIG. 7

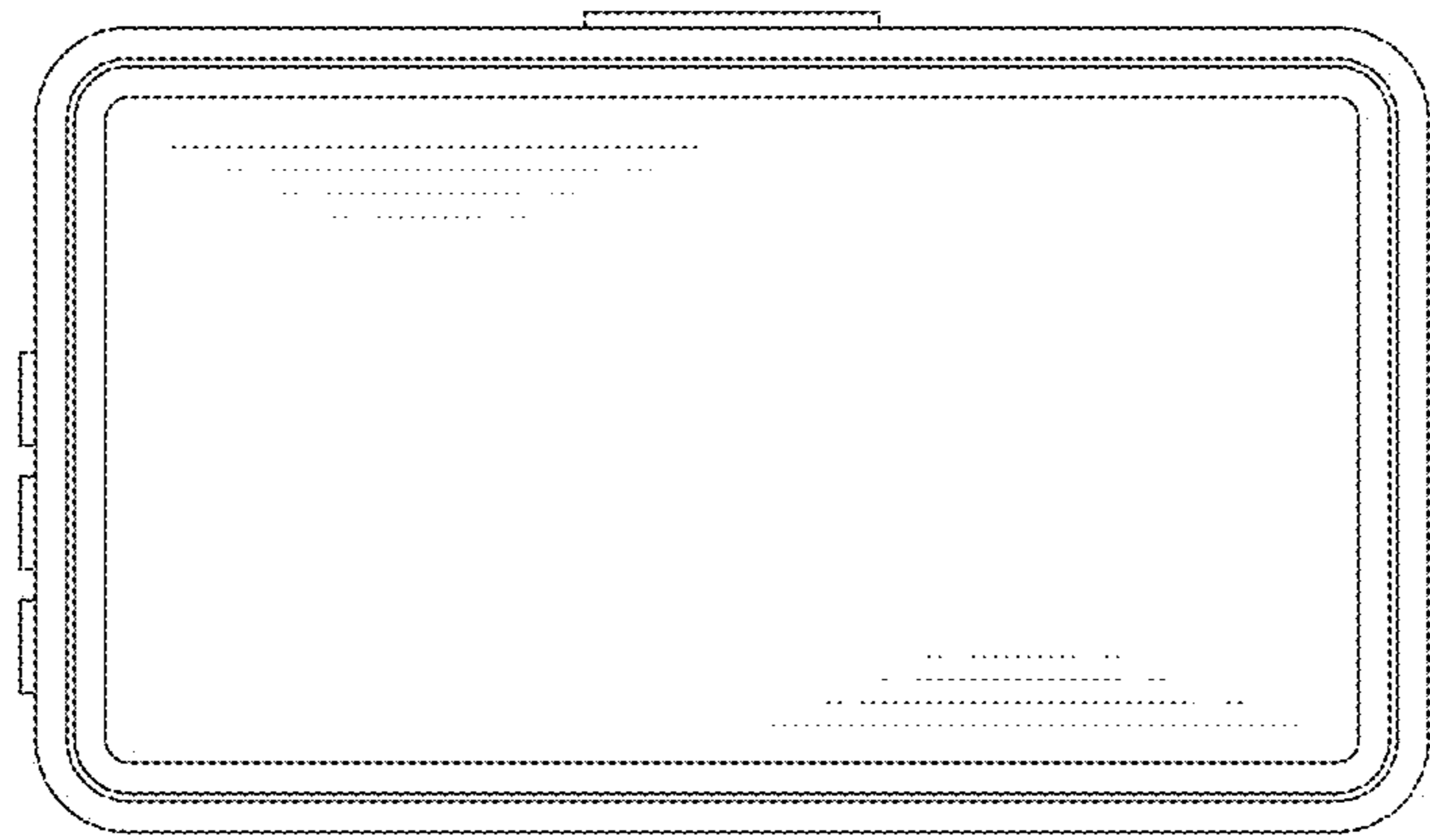


FIG. 8