



US00D980891S

(12) **United States Design Patent**  
**Kim et al.**

(10) **Patent No.: US D980,891 S**

(45) **Date of Patent: \*\* Mar. 14, 2023**

(54) **CAMERA**

D910,106 S \* 2/2021 Jeong ..... D16/202  
D950,625 S \* 5/2022 Hirano ..... D16/202  
2020/0404127 A1\* 12/2020 Zeng ..... H04N 5/232

(71) Applicant: **SZ DJI Technology Co., Ltd.**,  
Shenzhen (CN)

**FOREIGN PATENT DOCUMENTS**

(72) Inventors: **Min Kim**, Shenzhen (CN); **Chihiro Tsukamoto**, Shenzhen (CN); **Yuan Gao**, Shenzhen (CN); **Yichao Wang**, Shenzhen (CN); **Lin Li**, Shenzhen (CN); **Yiwei Chen**, Shenzhen (CN); **Bo Liang**, Shenzhen (CN); **Xingchi Chen**, Shenzhen (CN); **Shu Li**, Shenzhen (CN)

CN 9005241312-0001 \* 4/2018  
CN 306204458 \* 12/2020  
CN 306204458 S 12/2020  
CN 306204485 12/2020  
JP D1629814 \* 4/2019  
KR 30-0983-35600-04 12/2018  
KR 30-0983-35600-05 1/2019

(73) Assignee: **SZ DJI Technology Co., Ltd.**,  
Shenzhen (CN)

**OTHER PUBLICATIONS**

DJI Ronin 4D, earliest pictured Oct. 20, 2021, [online],[site visited Oct. 27, 2022]. Available via Internet, <URL:https://www.dji.com/ronin-4d> (Year: 2021).\*

(\*\*) Term: **15 Years**

(Continued)

(21) Appl. No.: **29/766,218**

*Primary Examiner* — Sanjeev Paul  
*Assistant Examiner* — Breana Copeland  
(74) *Attorney, Agent, or Firm* — Sterne, Kessler, Goldstein & Fox P.L.L.C.

(22) Filed: **Jan. 14, 2021**

(51) **LOC (14) Cl.** ..... **16-06**

(52) **U.S. Cl.**  
USPC ..... **D16/200**

(58) **Field of Classification Search**  
USPC ..... D14/125, 138 AC; D16/200–250;  
D21/514; 353/101, 119  
CPC ..... G03B 17/02; G03B 19/18; H04N 5/2252;  
H04N 2101/00; H04N 5/225  
See application file for complete search history.

(57) **CLAIM**

The ornamental design for a camera, as shown and described.

**DESCRIPTION**

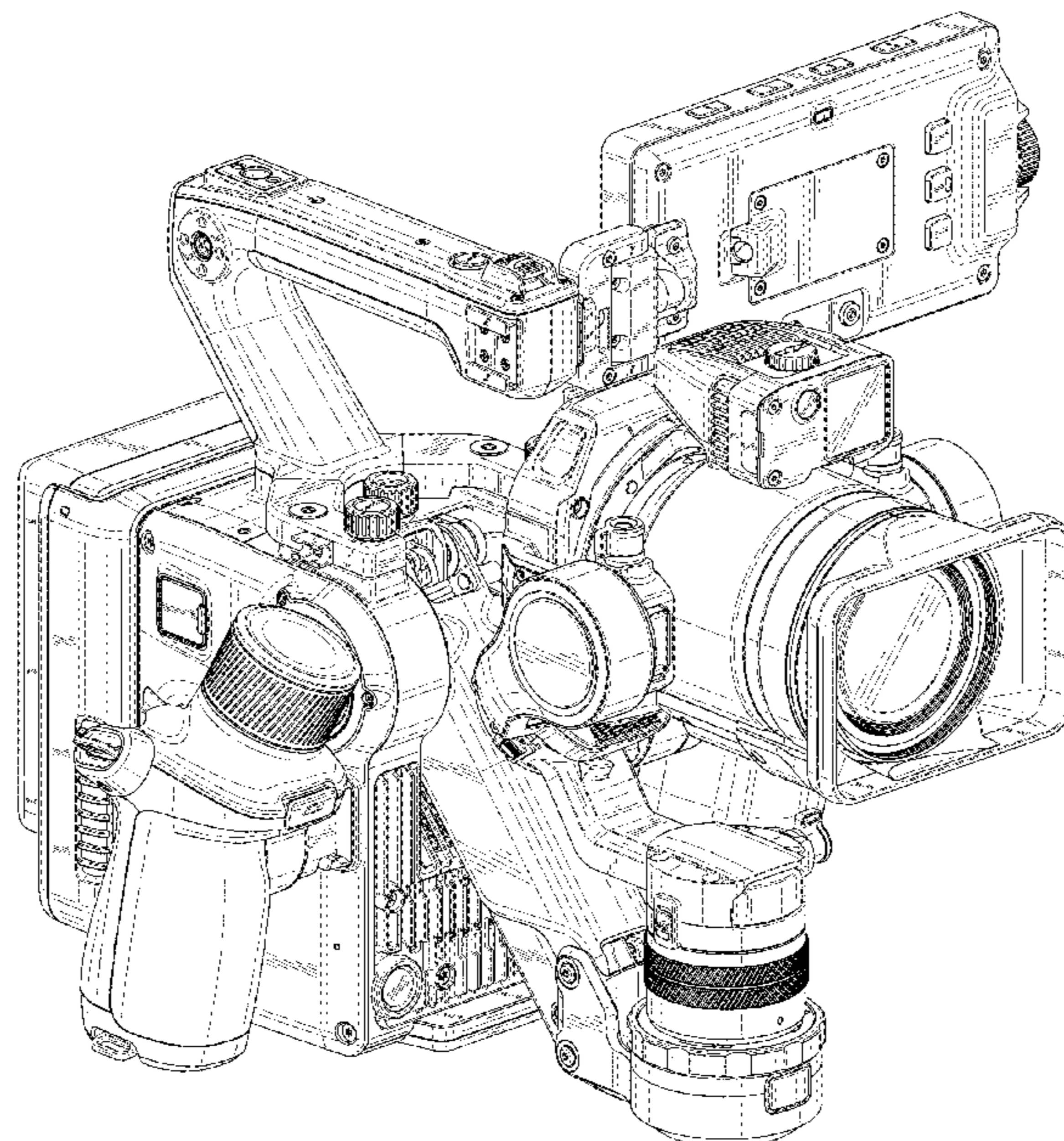
FIG. 1 is a top front perspective view of a camera showing the claimed design;  
FIG. 2 is a bottom rear perspective view thereof;  
FIG. 3 is a front view thereof;  
FIG. 4 is a rear view thereof;  
FIG. 5 is a left side view thereof;  
FIG. 6 is a right side view thereof;  
FIG. 7 is a top view thereof; and,  
FIG. 8 is a bottom view thereof.

(56) **References Cited**

**U.S. PATENT DOCUMENTS**

D289,290 S \* 4/1987 Enomoto ..... D16/202  
D407,729 S \* 4/1999 Fukushima ..... D16/202  
D696,333 S \* 12/2013 Takahashi ..... D16/202  
D875,155 S \* 2/2020 Jeong ..... D16/202

**1 Claim, 8 Drawing Sheets**



(56)

**References Cited**

OTHER PUBLICATIONS

Omega Sony FX6 Digital Cinema Camera Kit, earliest pictured Oct. 23, 2021, [online],[site visited Oct. 27, 2022]. Available via Internet, <URL:https://www.omegabroadcast.com/sony-fx6-digital-cinema-camera-kit-with-24-105mm-lens/> (Year: 2021).\*

On Spot Gadgets New Canon EOS C200 Cinema Camera, earliest pictured Jun. 29, 2017, [online],[site visited Oct. 27, 2022]. Available via Internet, <URL:https://www.onspotgadgets.com/sc/canon-eos-c200-cinema-camera-2215c002-body-only-1378085.html> (Year: 2017).\*

Google Search, [online],[site visited Oct. 27, 2022]. Available via Internet, <URL:https://www.google.com/search?q=professional+movie+camera&rlz=1C1GCEA\_enUS1001US1001&source=lnms&tbm=isch&sa=X&ved=2ahUKEwi%E2%80%A6> (Year: 2022).\*

“Sony PXW-FS5M2 4K XDCAM Compact Camcorder,” Video Salon, No. 5, vol. 75, p. 11, dated May 2018. (Japanese Patent Office Document HA3000269).

\* cited by examiner



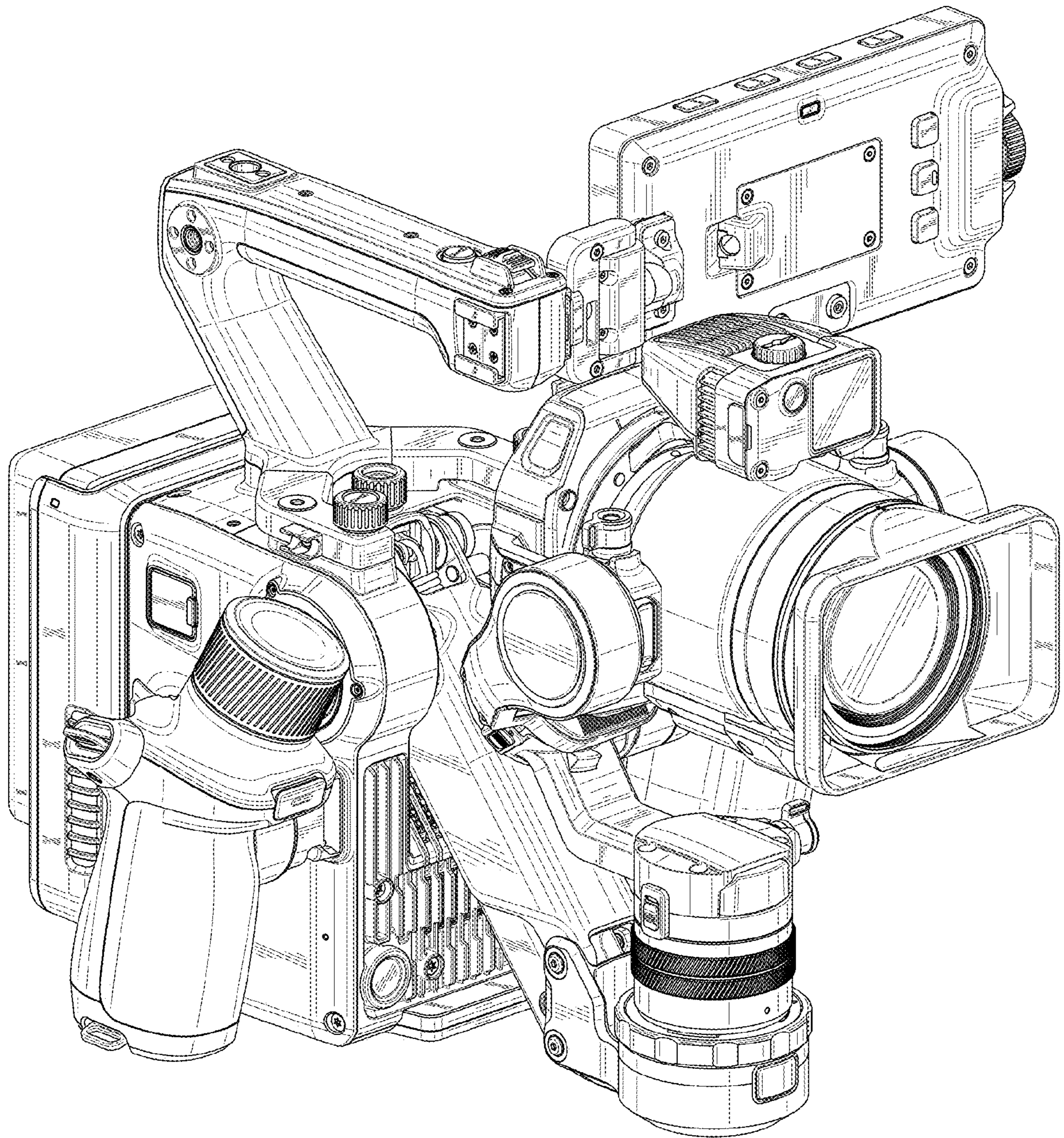


FIG. 1



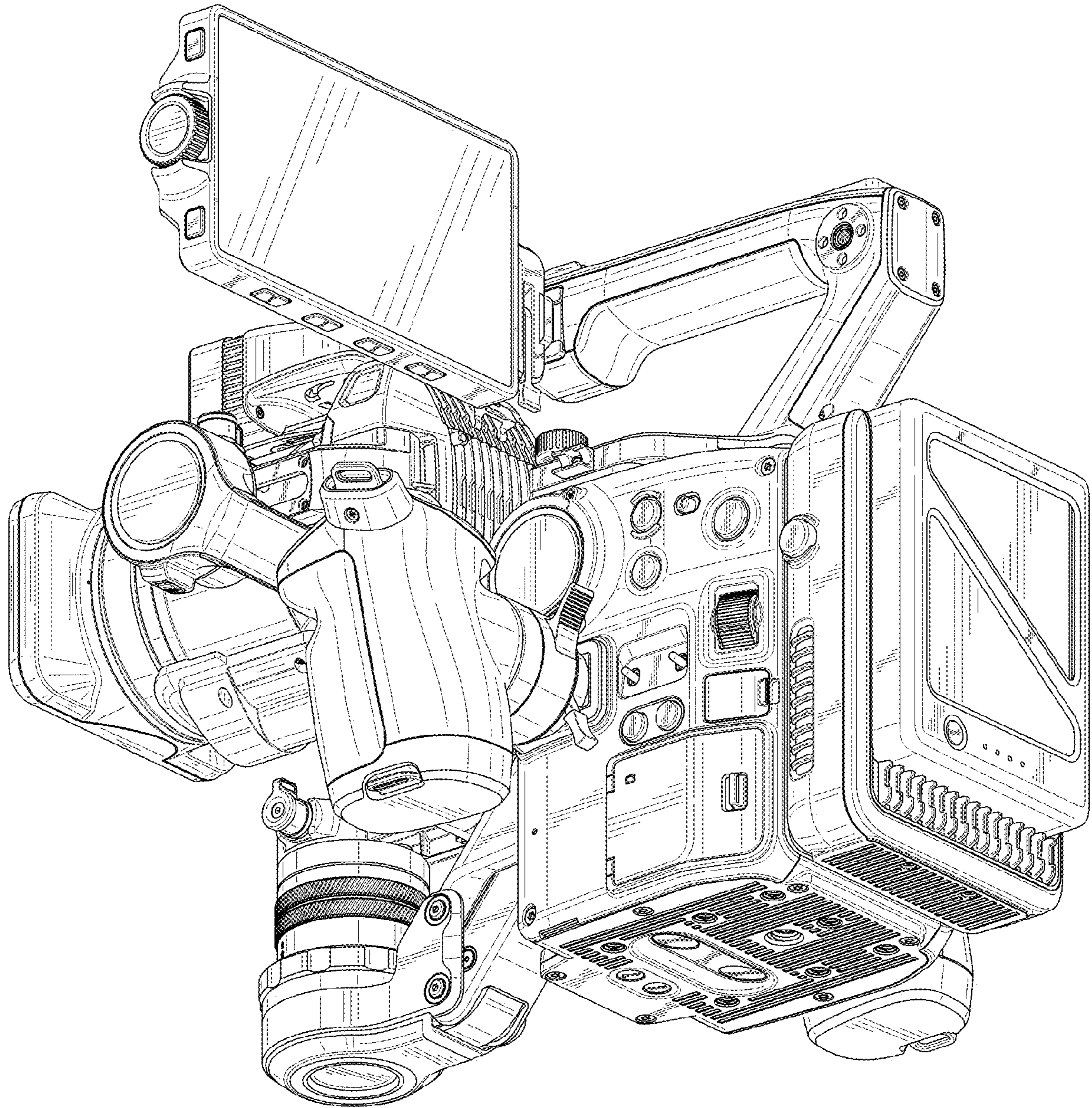


FIG. 2



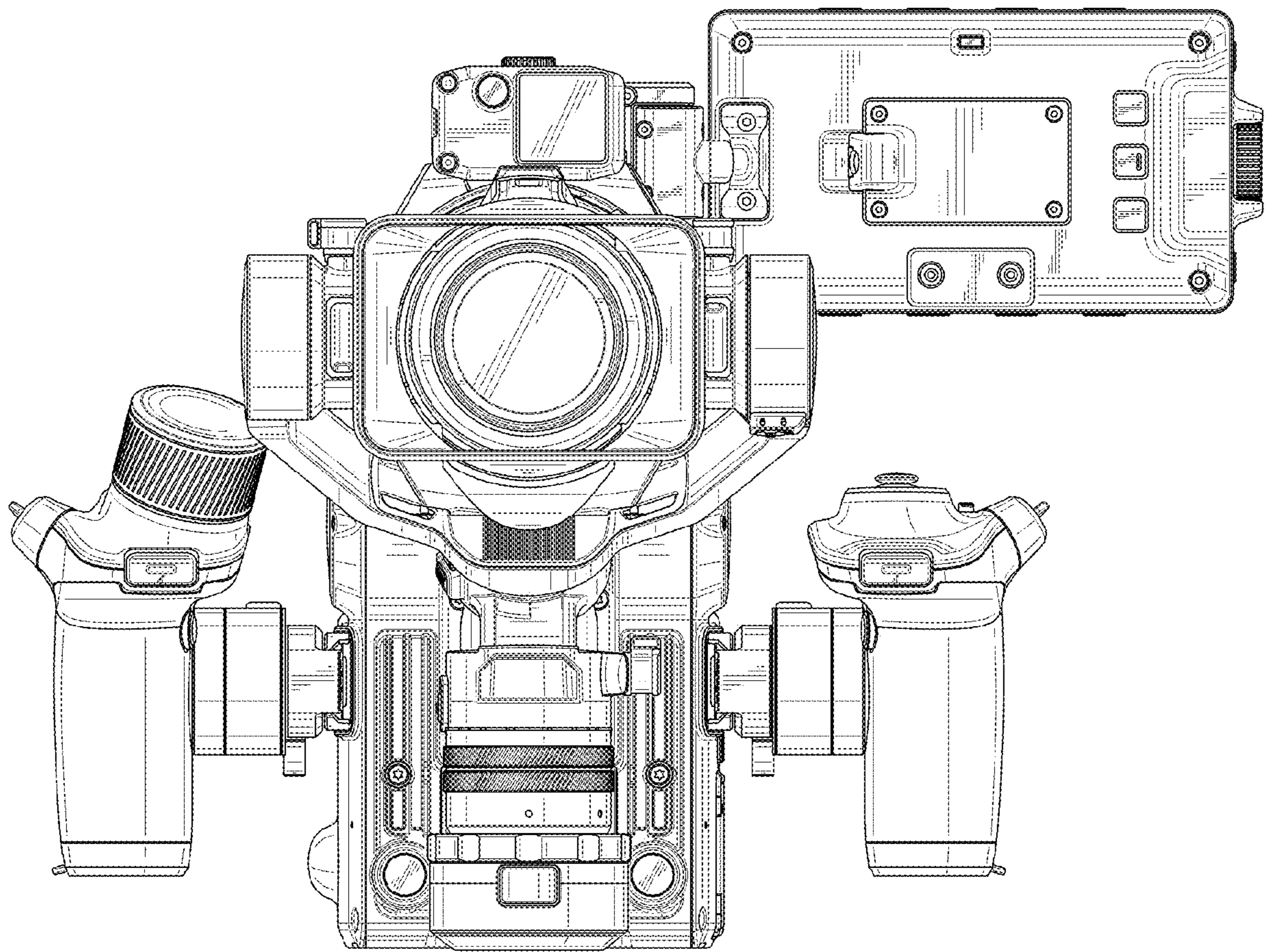


FIG. 3

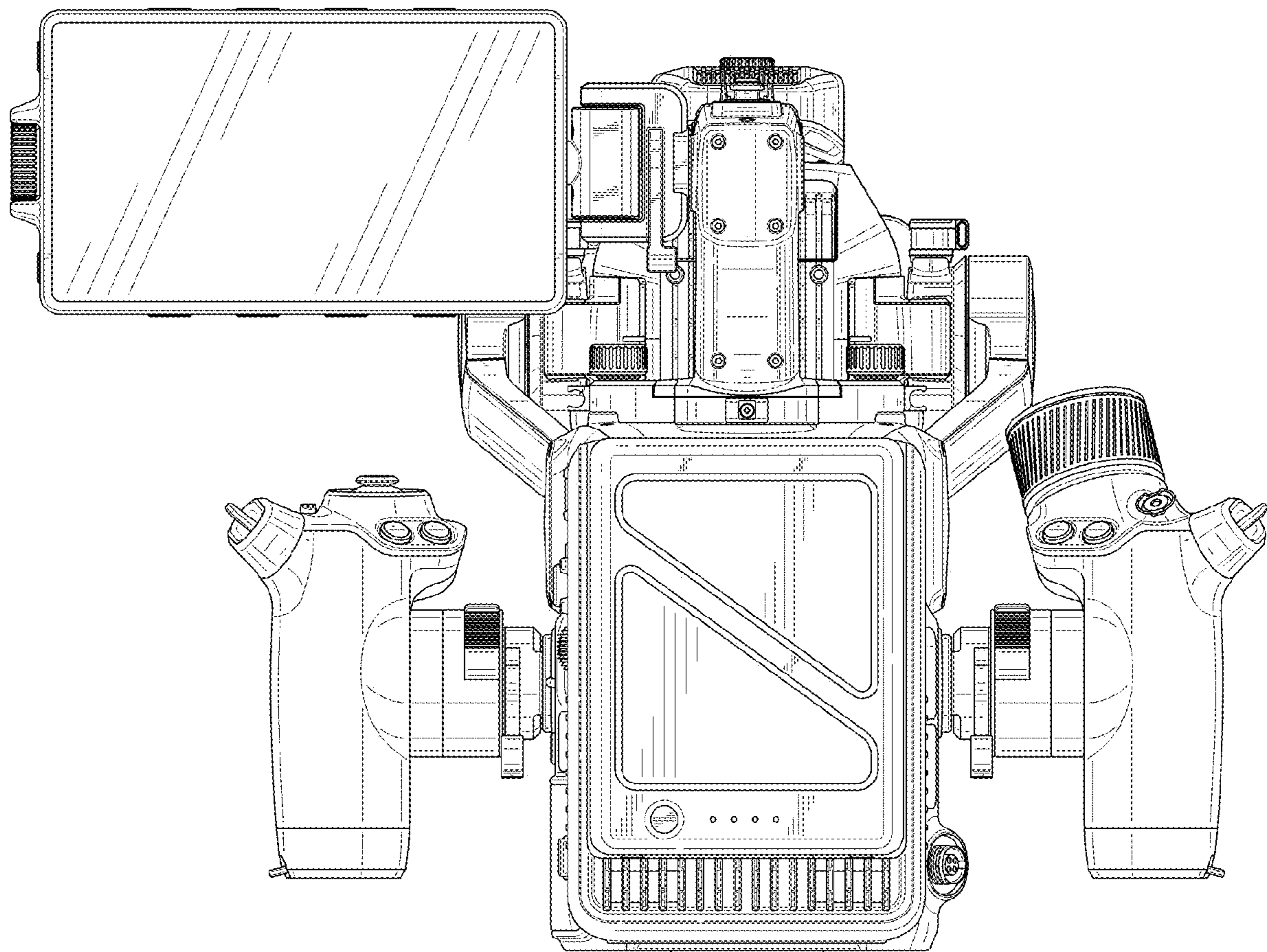


FIG. 4



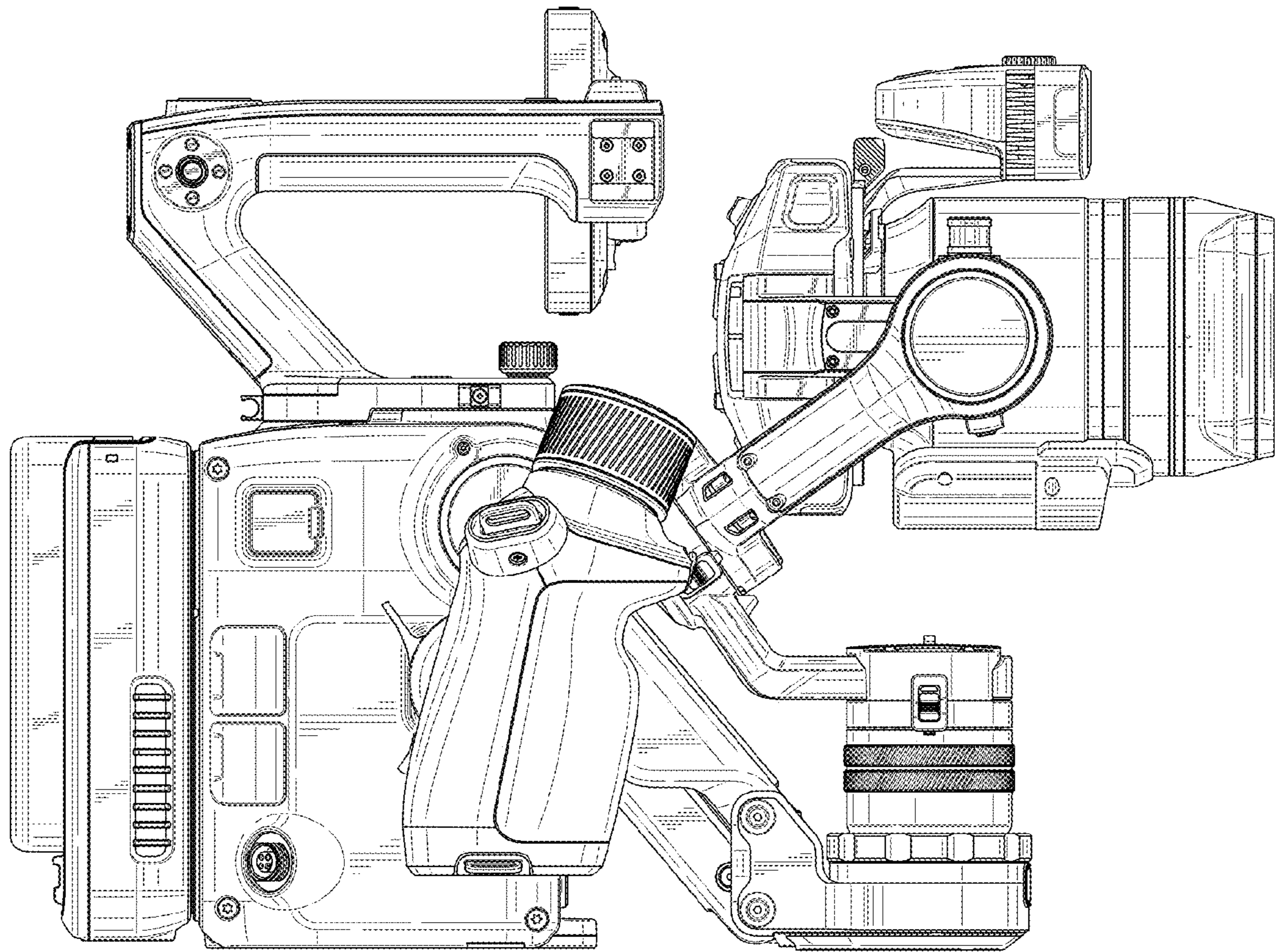


FIG. 5

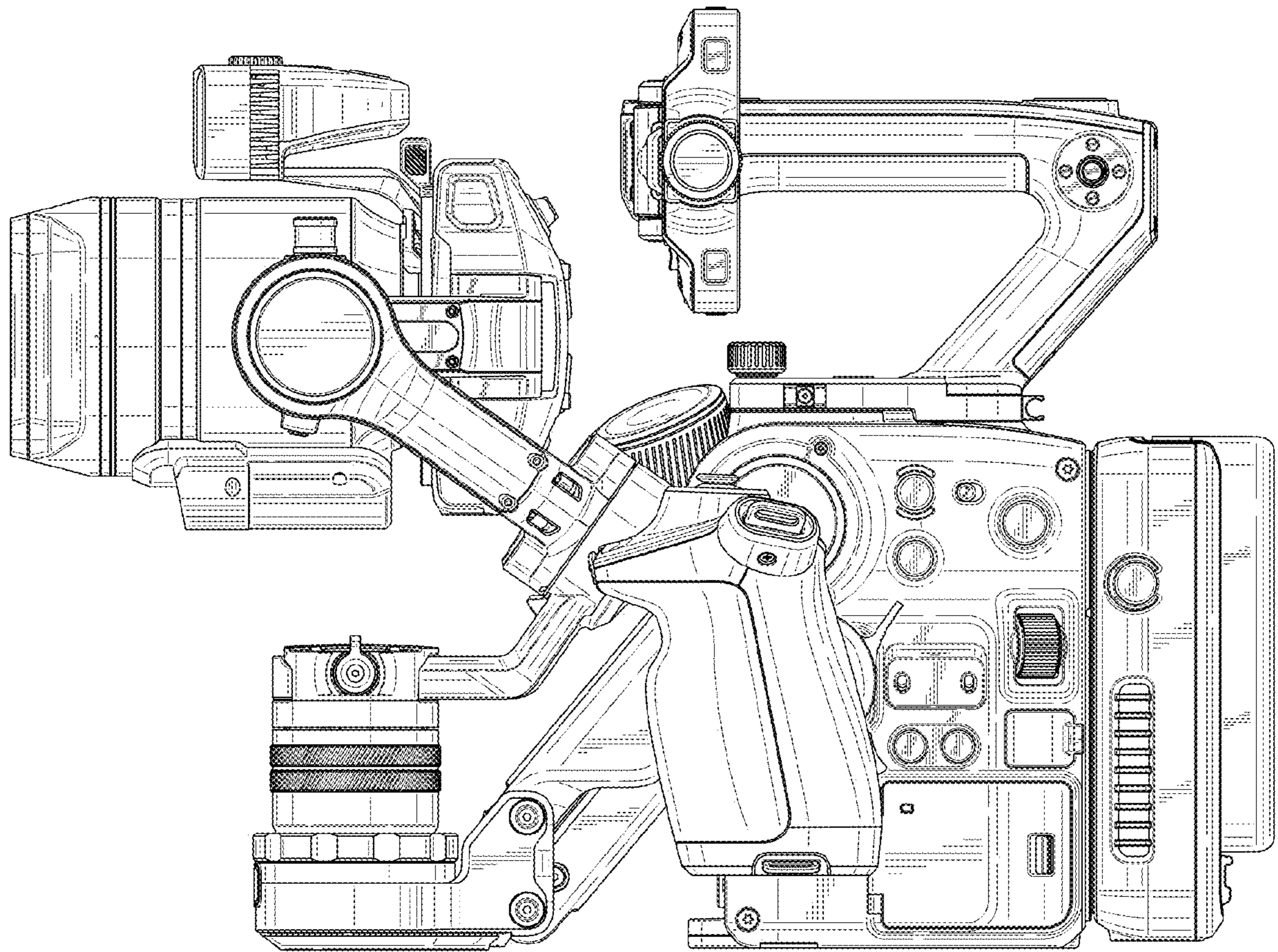


FIG. 6



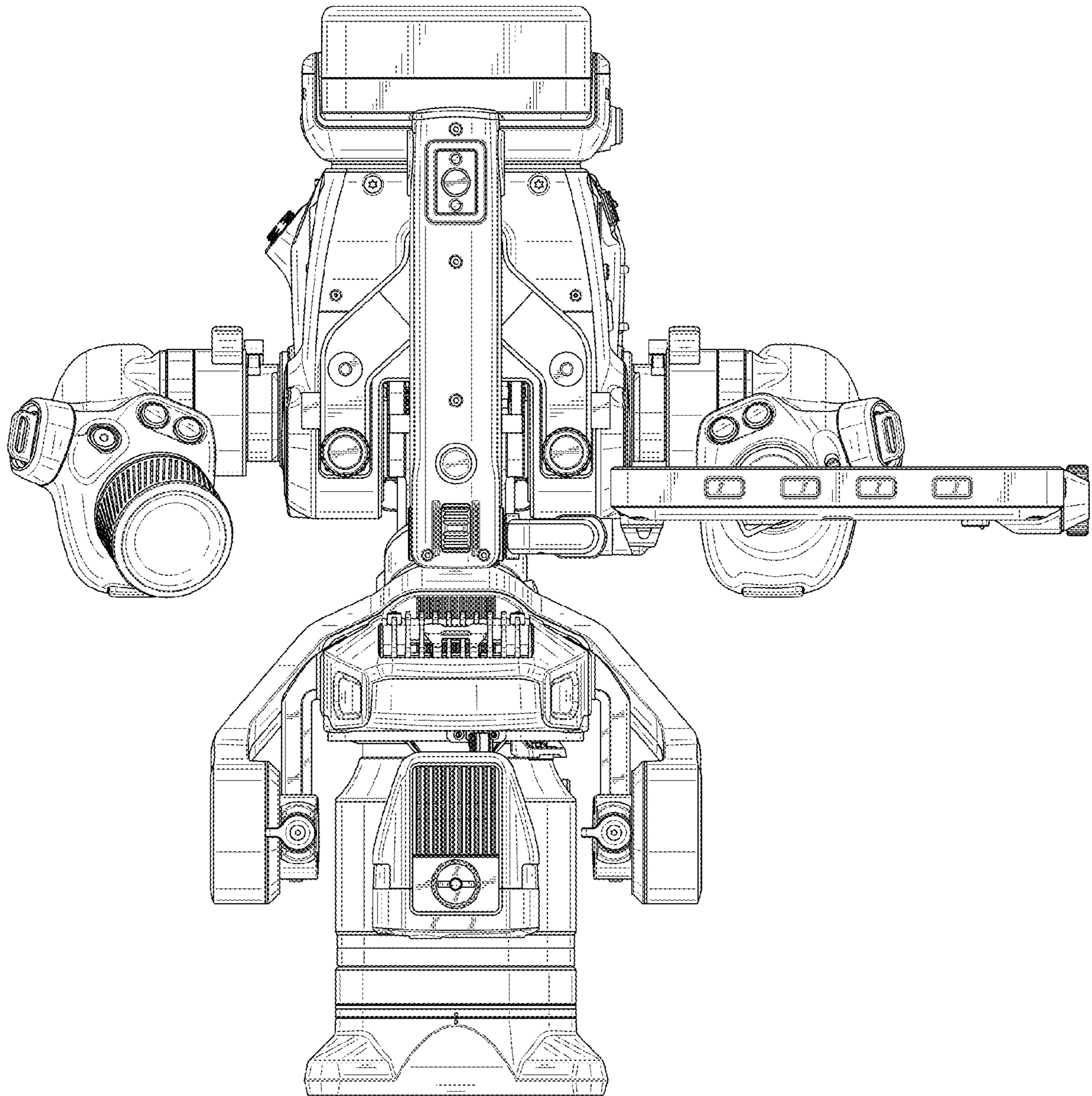


FIG. 7

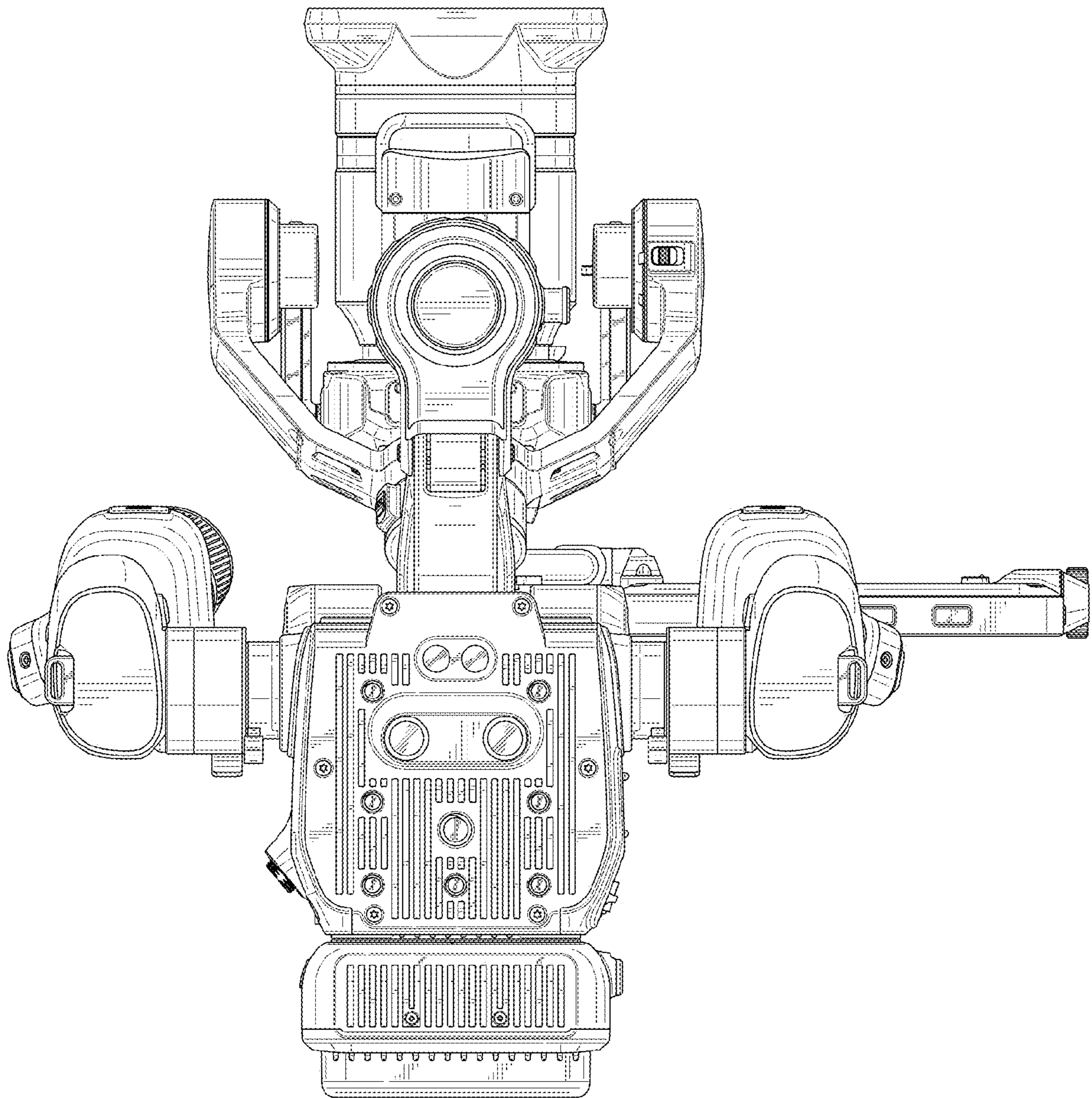


FIG. 8