



US00D980889S

(12) **United States Design Patent**
Han et al.

(10) **Patent No.:** **US D980,889 S**
(45) **Date of Patent:** **** Mar. 14, 2023**

(54) **SURGICAL MICROSCOPE**
(71) Applicant: **Carl Zeiss Meditec AG**, Jena (DE)
(72) Inventors: **Xiao Han**, Shanghai (CN); **Jian Jin**,
Shanghai (CN)
(73) Assignee: **Carl Zeiss Meditec AG**, Jena (DE)
(**) Term: **15 Years**

D643,866 S * 8/2011 Apotheloz D16/131
D674,424 S * 1/2013 Apotheloz D16/131
D690,342 S * 9/2013 Funakoshi D16/131
(Continued)

(21) Appl. No.: **29/708,515**
(22) Filed: **Oct. 7, 2019**

FOREIGN PATENT DOCUMENTS

CN 301574417 S 6/2011
CN 301654601 S 8/2011
(Continued)

OTHER PUBLICATIONS

Leica M320 for Dentistry, publisher: www.kavo.com, www.leica-microsystems.com, pp. 1 to 12, 2015.
(Continued)

Related U.S. Application Data

(62) Division of application No. 29/614,459, filed on Aug. 18, 2017, now Pat. No. Des. 888,123.

Primary Examiner — Holly E Thurman
(74) *Attorney, Agent, or Firm* — Walter Ottesen, P.A.

(30) **Foreign Application Priority Data**

Feb. 20, 2017 (CN) 201730044244.4

(57) **CLAIM**

The ornamental design for a surgical microscope, as shown and described.

(51) **LOC (14) Cl.** **16-06**
(52) **U.S. Cl.**
USPC **D16/132**
(58) **Field of Classification Search**
USPC D16/130, 132, 136, 237
CPC G02B 23/16
See application file for complete search history.

DESCRIPTION

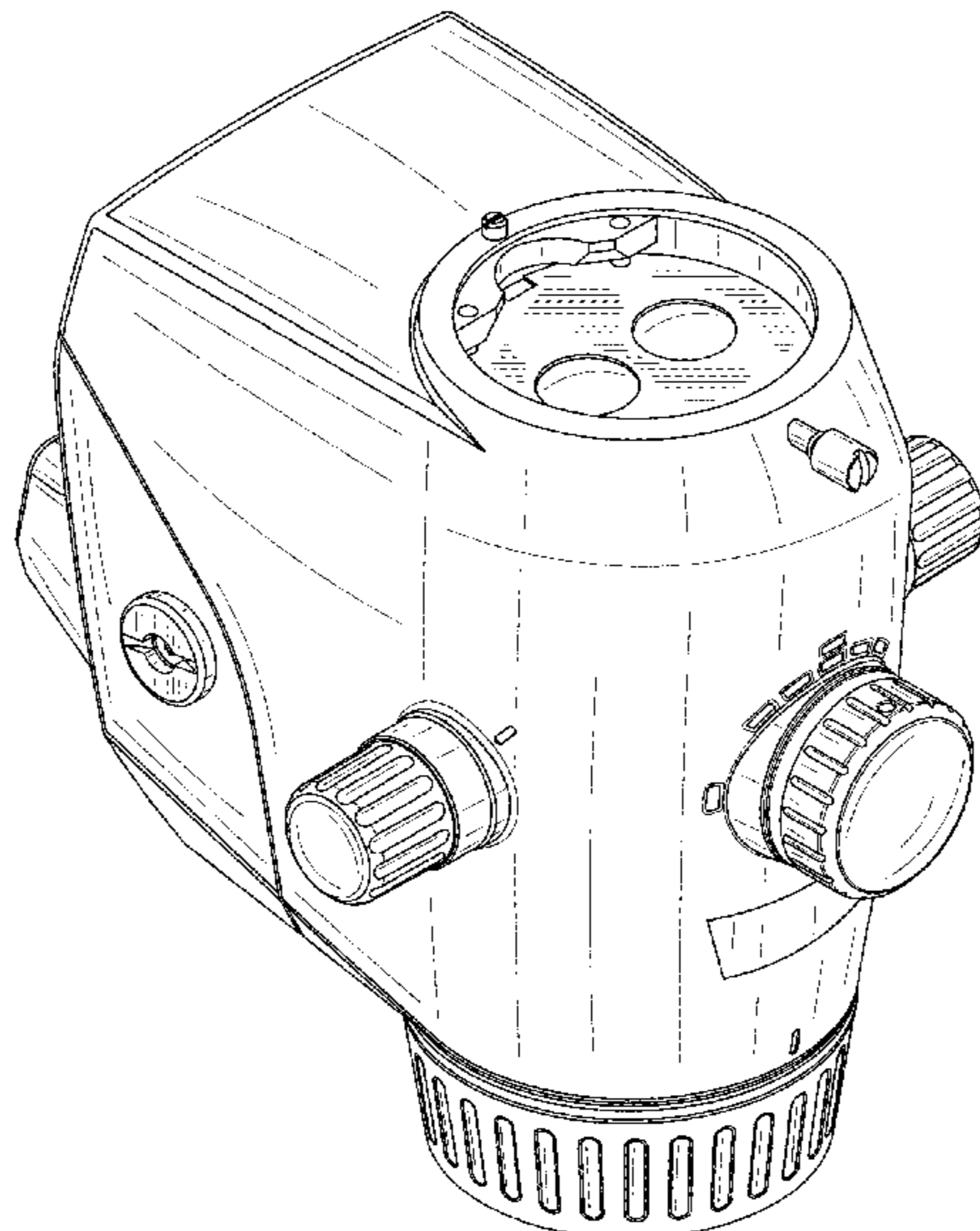
FIG. 1 is a perspective view of a surgical microscope of our new design;
FIG. 2 is a front elevation view of the surgical microscope of FIG. 1;
FIG. 3 is a rear elevation view of the surgical microscope of FIG. 1;
FIG. 4 is a right side elevation view of the surgical microscope of FIG. 1;
FIG. 5 is a left side elevation view of the surgical microscope of FIG. 1;
FIG. 6 is a top plan view of the surgical microscope of FIG. 1; and,
FIG. 7 is a bottom plan view of the surgical microscope of FIG. 1.
The broken lines depict portions of the surgical microscope that form no part of the claimed design.

(56) **References Cited**

U.S. PATENT DOCUMENTS

D355,430 S * 2/1995 Hofmann-Igl D16/131
D459,744 S * 7/2002 Apotheloz D16/131
D460,772 S * 7/2002 Apotheloz D16/131
D482,708 S * 11/2003 Matuschek D16/131
D488,823 S 4/2004 Asaka et al.
D502,194 S 2/2005 Suzuki et al.
6,982,827 B2 1/2006 Mora
D520,542 S * 5/2006 Suzuki D16/131

1 Claim, 7 Drawing Sheets



(56)

References Cited

U.S. PATENT DOCUMENTS

D705,839 S * 5/2014 Apotheloz G02B 21/00
D16/131
D722,094 S 2/2015 Nauli
D723,079 S * 2/2015 Nauli D16/131
D888,123 S * 6/2020 Han D16/132
D926,851 S * 8/2021 Matuschek D16/131
D934,327 S * 10/2021 Meier D16/132
D934,937 S * 11/2021 Meier D16/132

FOREIGN PATENT DOCUMENTS

CN 302044090 S 8/2012
CN 303606003 S 3/2016

OTHER PUBLICATIONS

Leica M320, publisher: www.bondent.net, www.leica-microsystems.com, pp. 1 to 12, 2019.

OPMI pico from Zeiss, publisher: www.zeiss.com.cn, pp. 1 to 4, 2014.

Kaps Operating Microscopes, The ideal Instruments for Ophthalmologists, publisher: www.grips-design.de, pp. 1 to 4.

* cited by examiner

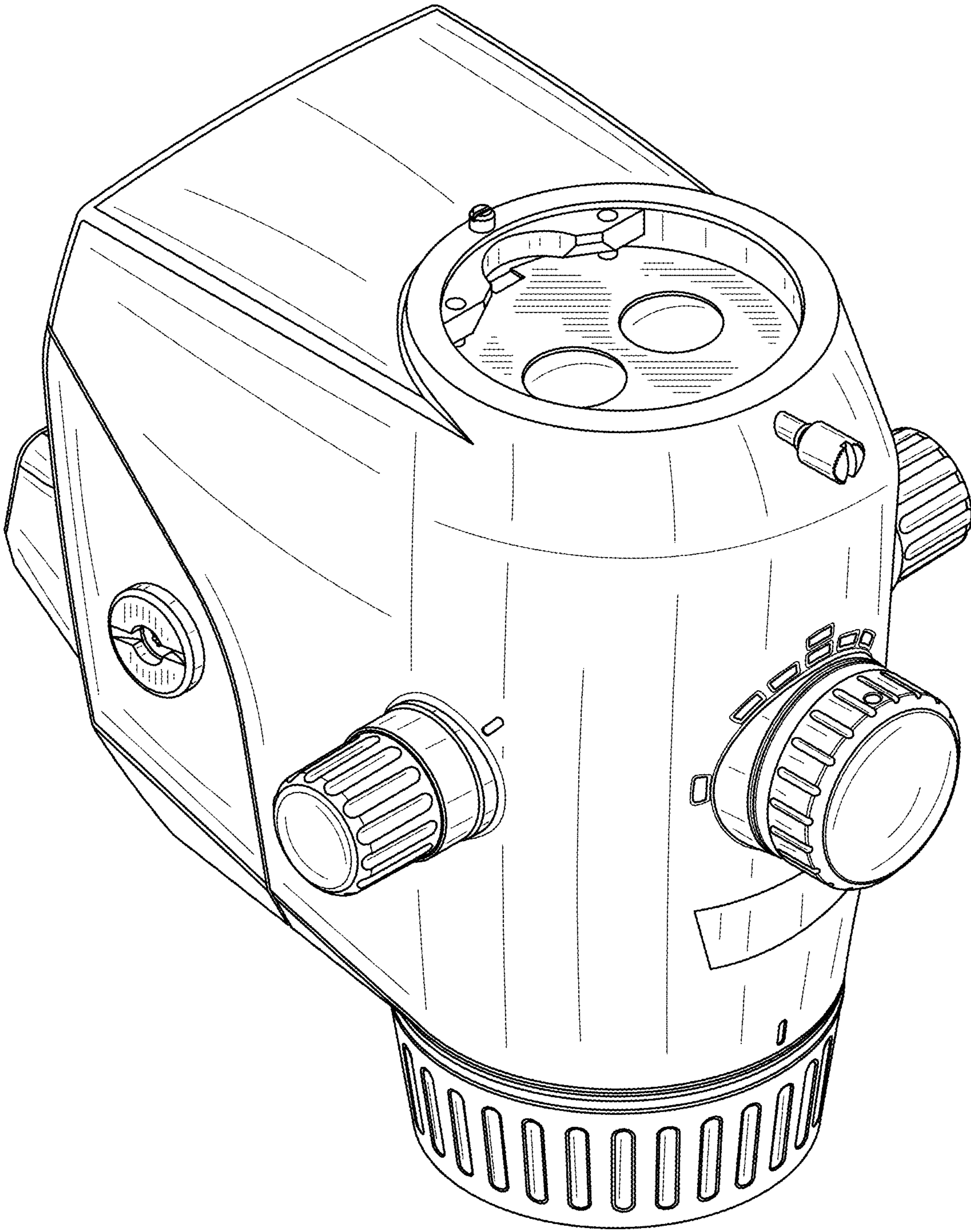


FIG. 1

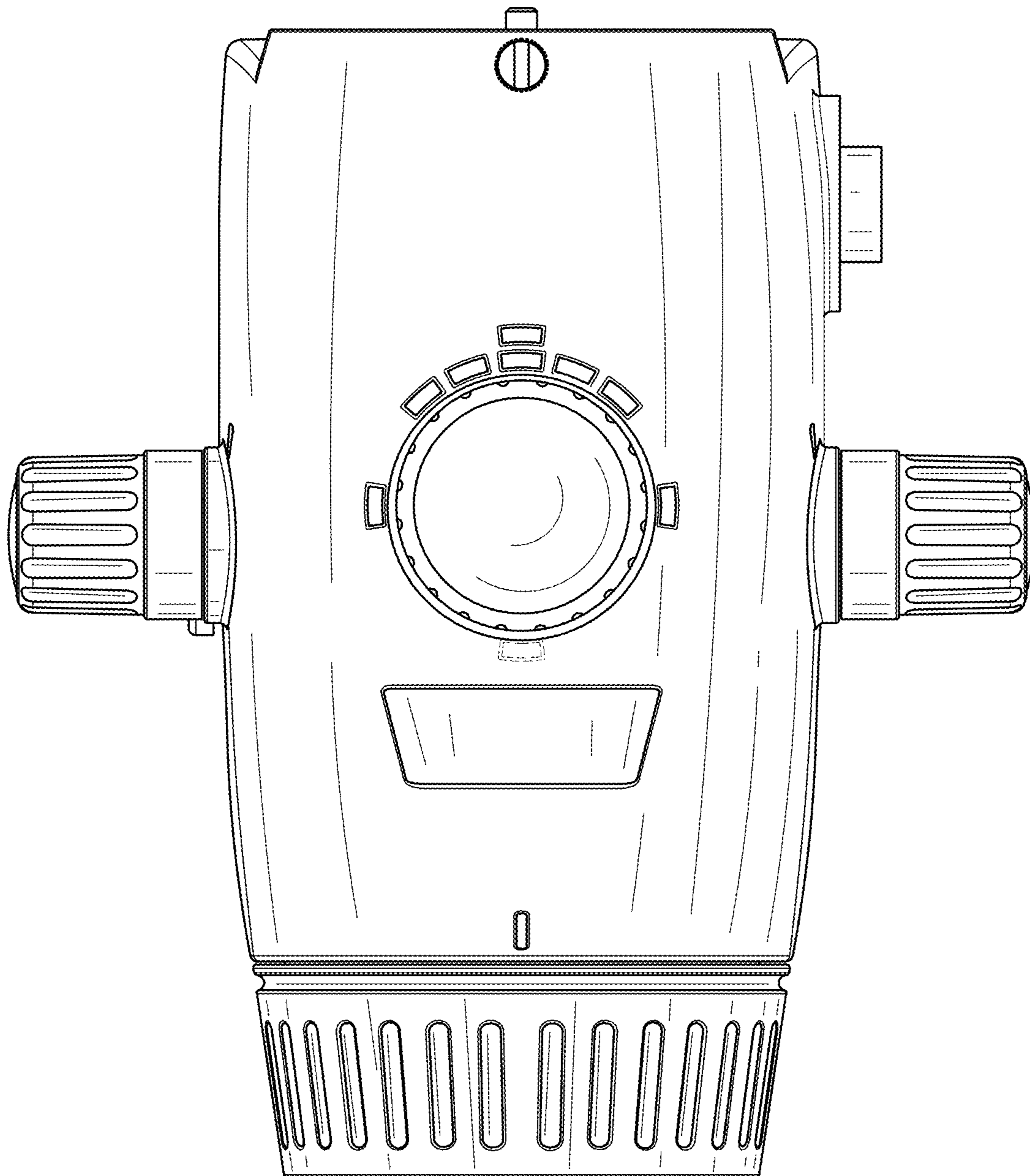


FIG. 2

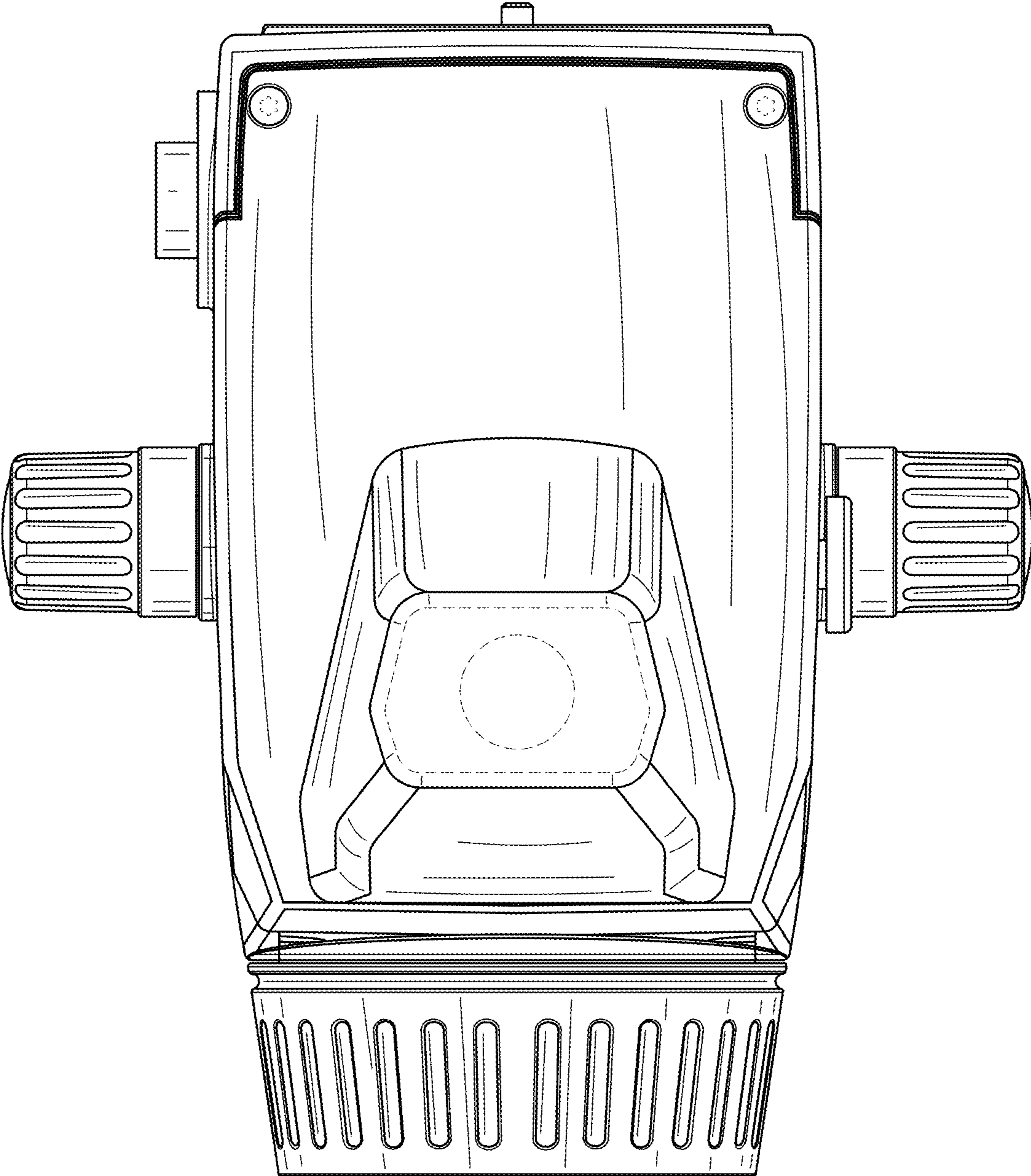


FIG. 3

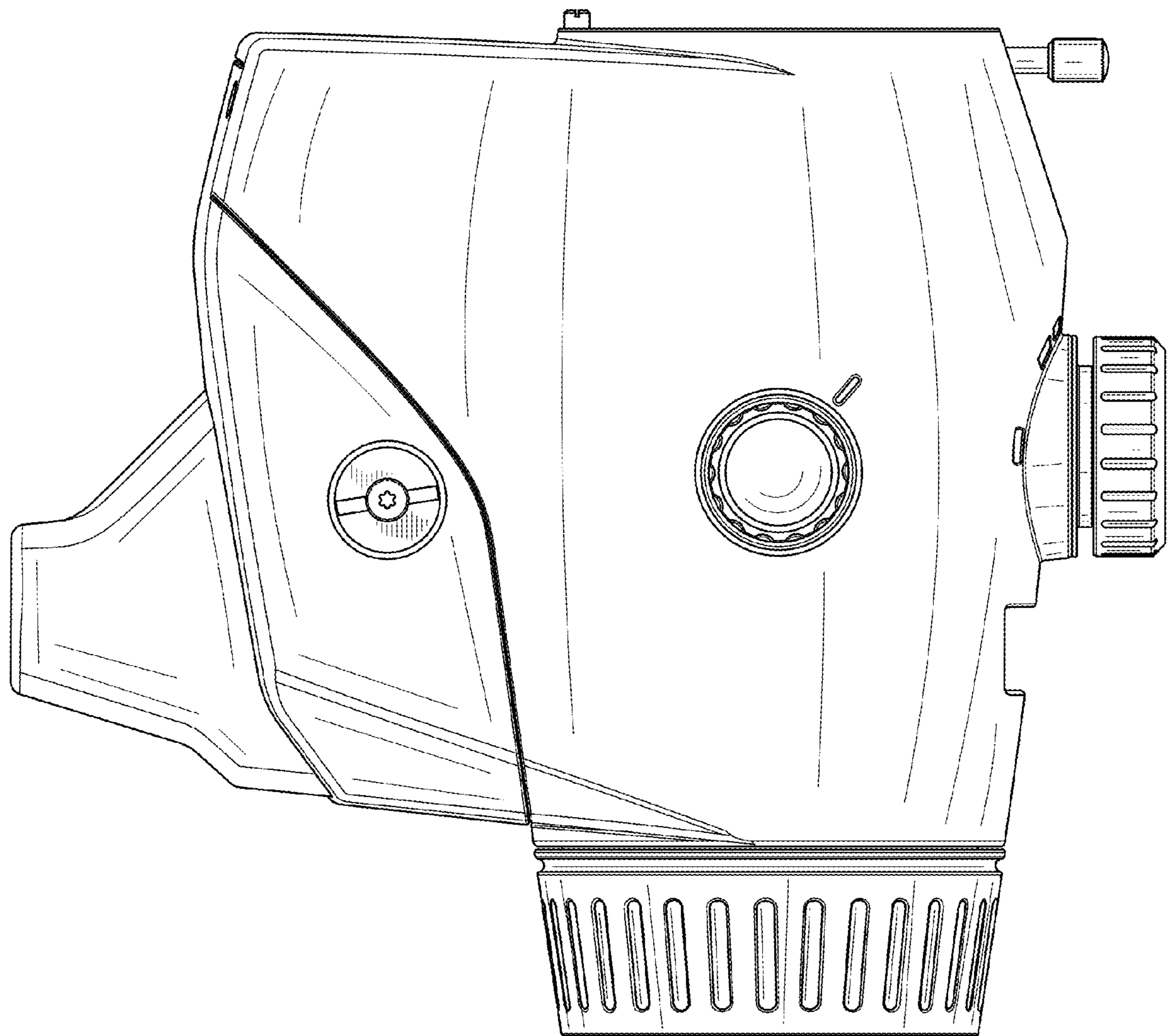


FIG. 4

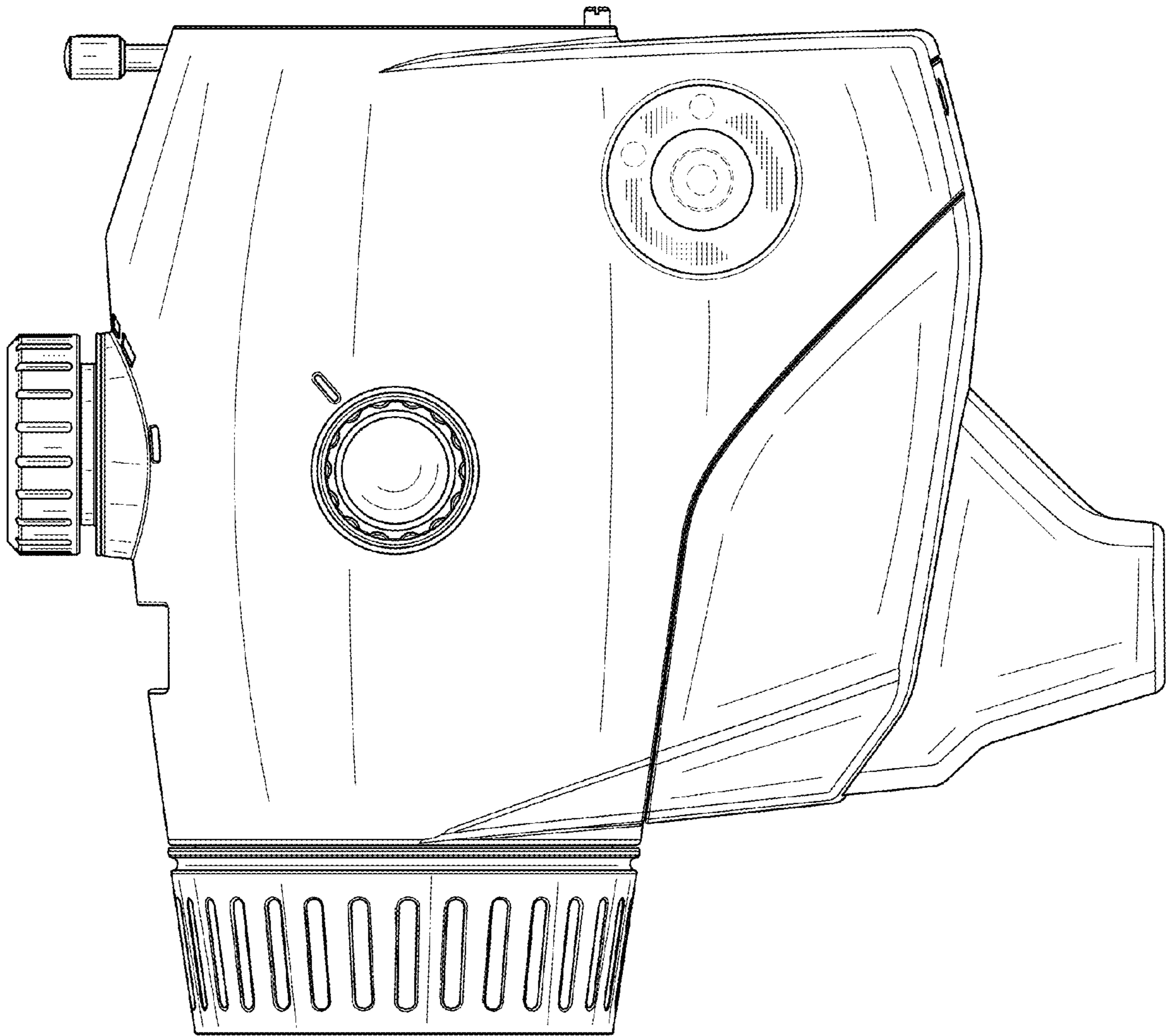


FIG. 5

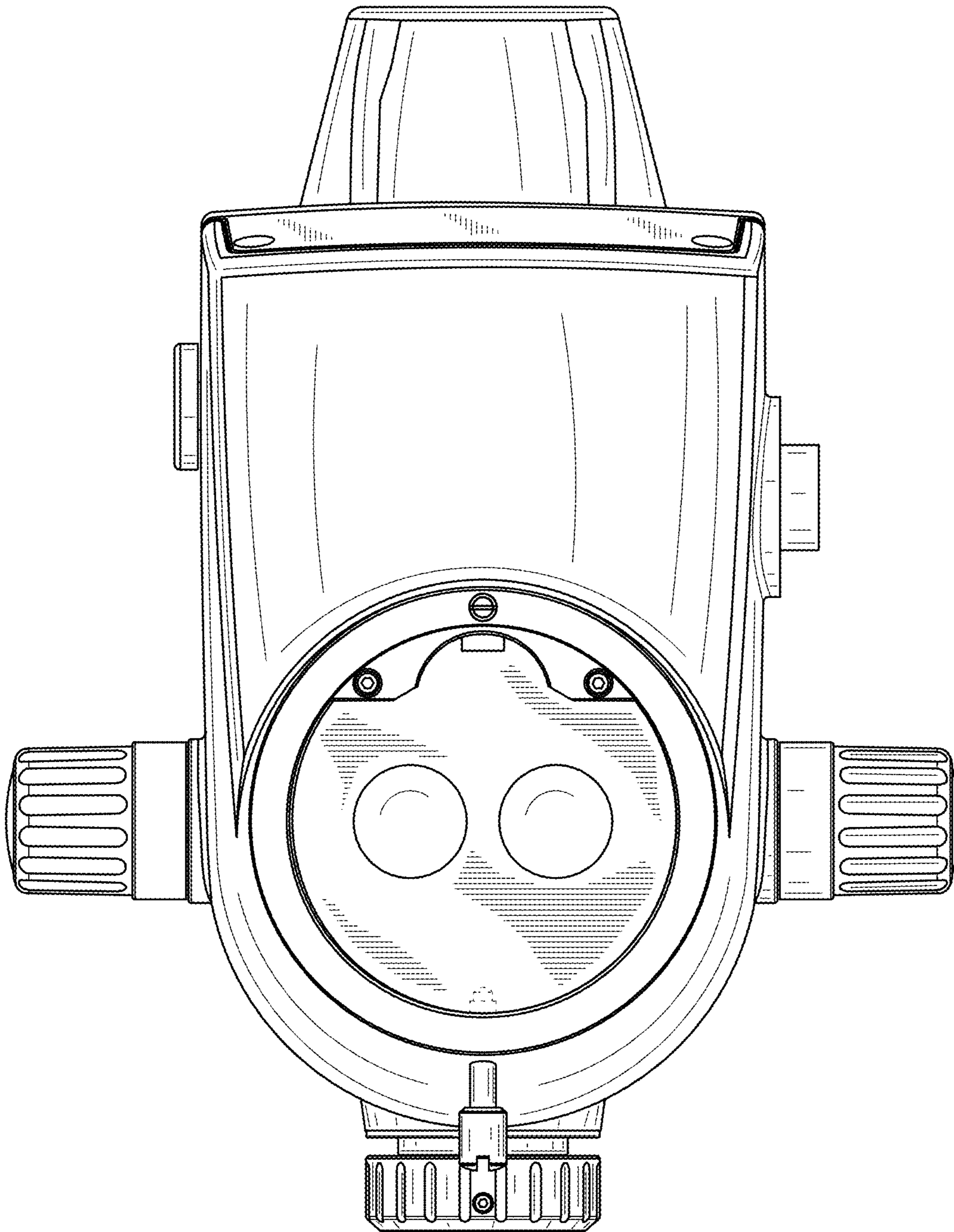


FIG. 6

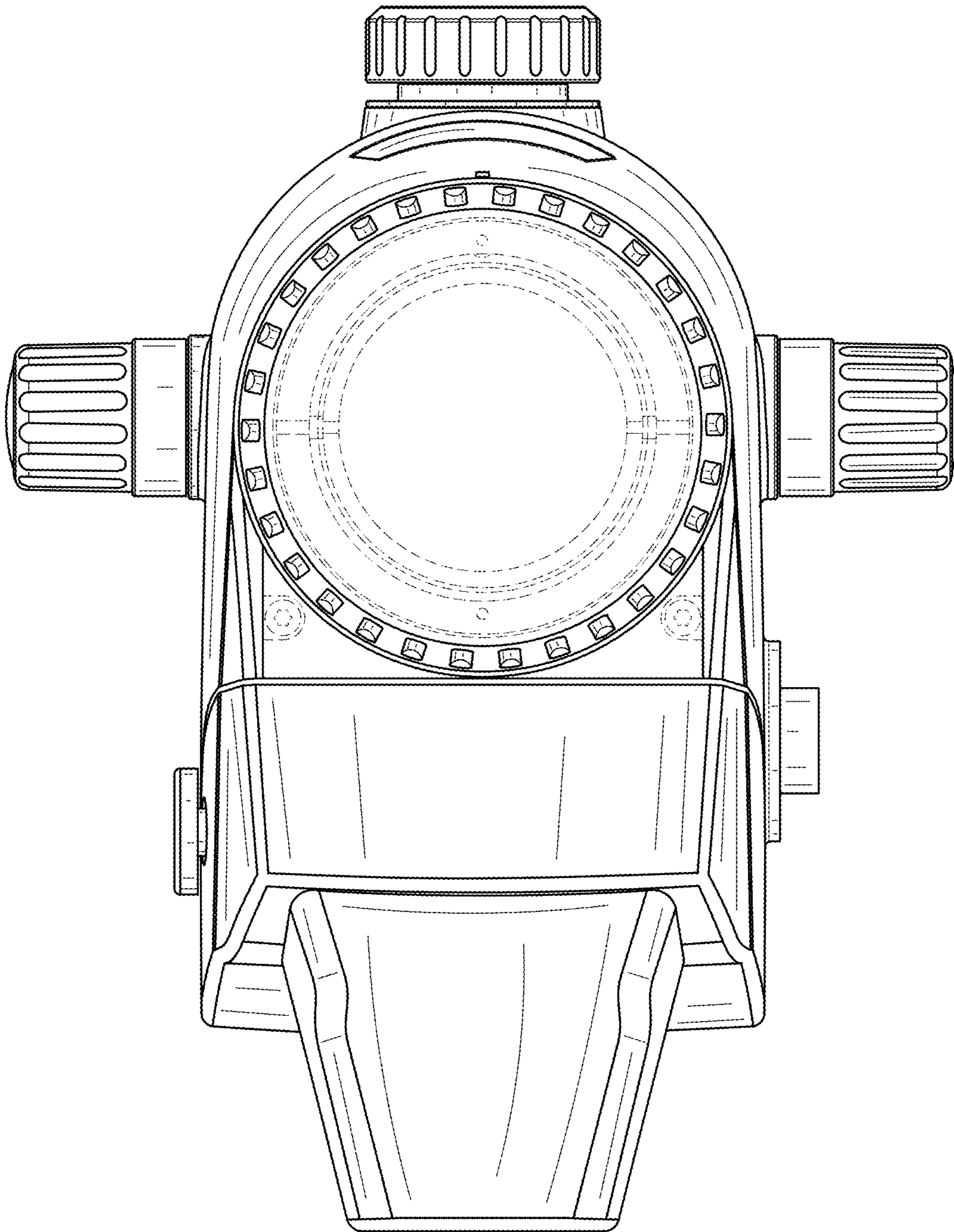


FIG. 7