



US00D980888S

(12) **United States Design Patent** (10) **Patent No.:** **US D980,888 S**
Nitta et al. (45) **Date of Patent:** **** Mar. 14, 2023**

(54) **HOLDER FOR MICROSCOPE SLIDES**

FOREIGN PATENT DOCUMENTS

(71) Applicant: **K.K. CYBO**, Koto-ku (JP)

CN 307151703 * 3/2022

(72) Inventors: **Nao Nitta**, Tokyo (JP); **Takeaki Sugimura**, Tokyo (JP); **Miki Kanematsu**, Tokyo (JP)

OTHER PUBLICATIONS

(**) Term: **15 Years**

Google Term Search: 'microscope slide holder', [site visited Dec. 29, 2022] <URL:https://www.google.com/search?q=microscope+slide+holder&sxsrf=ALiCzsapuewwl_y1YPFEtr8tR7U6-zgl0w:1672353735312&source=lnms&tbn=isch&sa=X&ved=2ahUKEwiLztOS85_8AhWoF1kFHTUTBIwQ_AUoAnoECAEQBA&biw=1920&bih=937&dpr=1> (Year: 2022).*

(21) Appl. No.: **35/512,912**

(22) Filed: **Apr. 22, 2021**

(Continued)

(80) **Hague Agreement Data**

Primary Examiner — Sanjeev Paul

Int. Filing Date: **Apr. 22, 2021**

Int. Reg. No.: **DM/217101**

Int. Reg. Date: **Apr. 22, 2021**

Int. Reg. Pub. Date: **Nov. 12, 2021**

(57) **CLAIM**

The ornamental design for a holder for microscope slides, as shown and described.

(30) **Foreign Application Priority Data**

DESCRIPTION

Oct. 26, 2020 (JP) 2020-023026 D

(51) **LOC (14) Cl.** **16-06**

(52) **U.S. Cl.**
USPC **D16/131**

(58) **Field of Classification Search**
USPC D6/131
See application file for complete search history.

1. Holder for microscope slides

1.1 : Front

1.2 : Back

1.3 : Left

1.4 : Right

1.5 : Top

1.6 : Bottom

1.7 : Cross sectional

1.8 : Enlarged

1.9 : Perspective

1.10 : Perspective

1.11 : Enlarged

1.12 : Enlarged

This article is a holder for microscope slides that holds a plurality of microscope slides, each of which is a rectangular glass plate to be observed with a microscope, the rectangular glass plate being arranged side by side; the indicator line in FIG. 1.1 indicates the cross-sectional position; the indicator lines in FIGS. 1.7, 1.9 and 1.10 represent the expansion range.

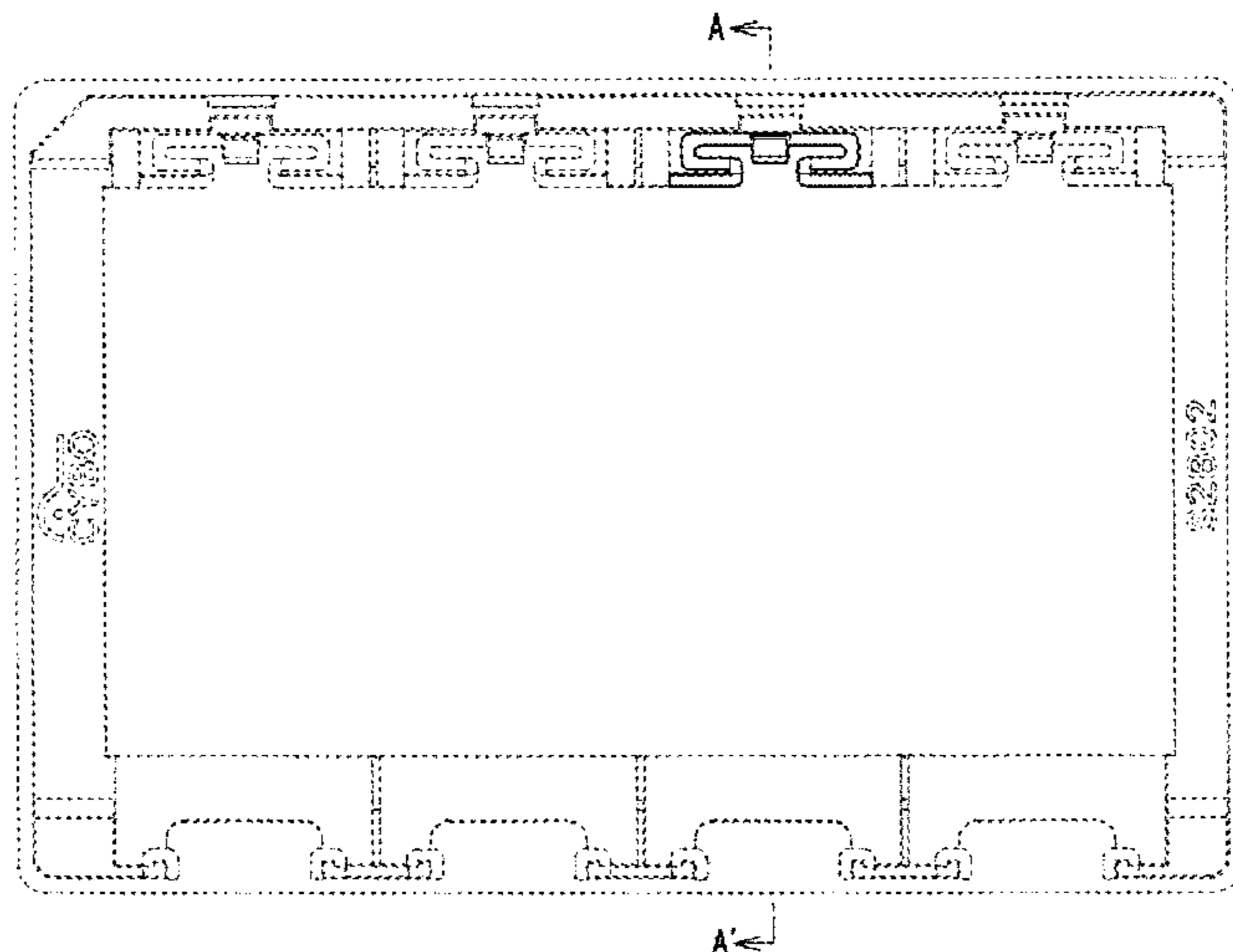
(56) **References Cited**

U.S. PATENT DOCUMENTS

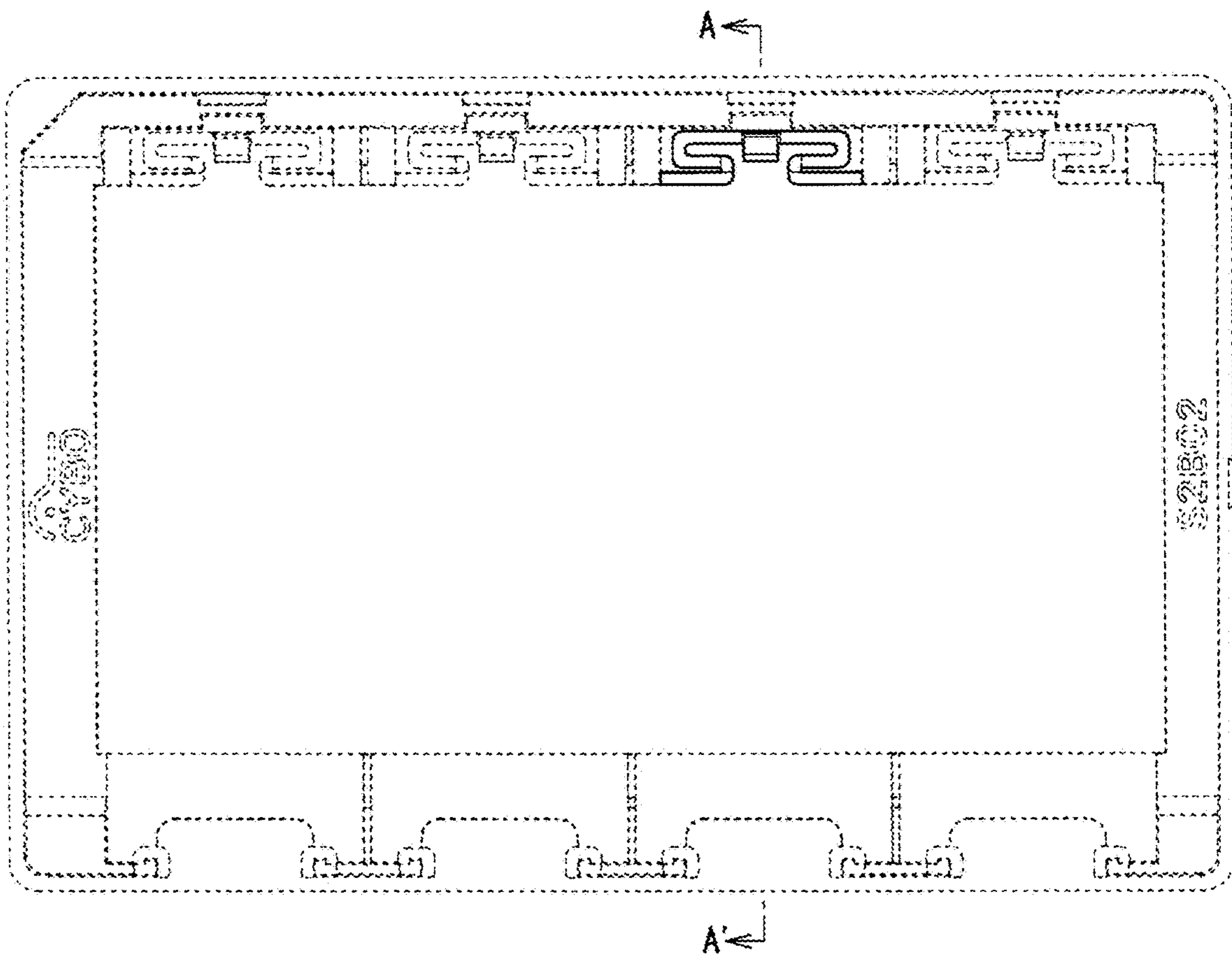
D256,470 S * 8/1980 Gordon 356/244
4,241,259 A * 12/1980 Feuerbaum H01J 37/18
250/311
D258,312 S * 2/1981 Parker D16/131
D462,079 S * 8/2002 Okuley D16/131
D468,022 S * 12/2002 Henderson D24/216
6,872,955 B1 * 3/2005 Balcome H01J 37/20
250/442.11
D572,283 S * 7/2008 Kerrod D24/224
D632,403 S * 2/2011 Griffiths D24/227

(Continued)

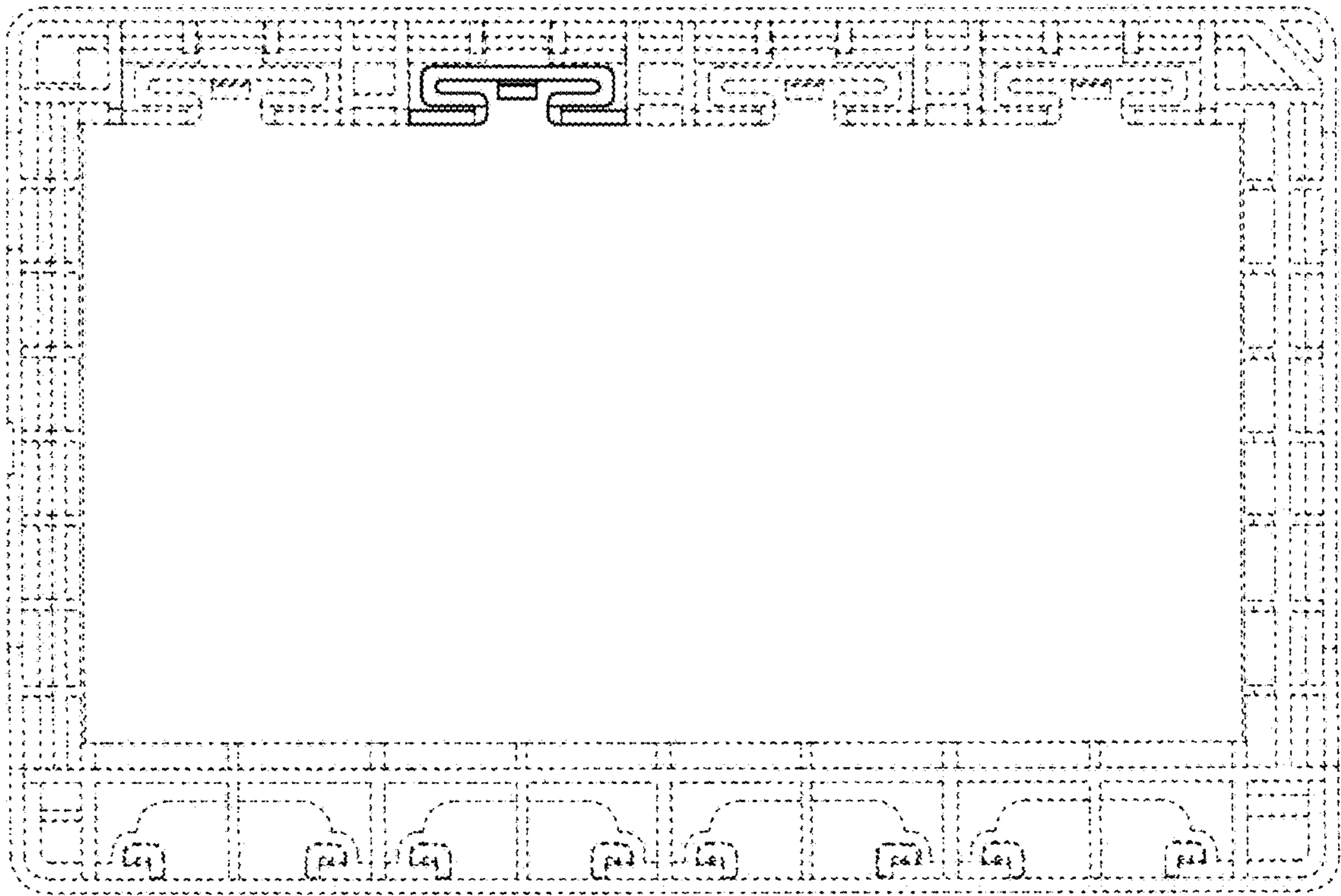
1 Claim, 12 Drawing Sheets



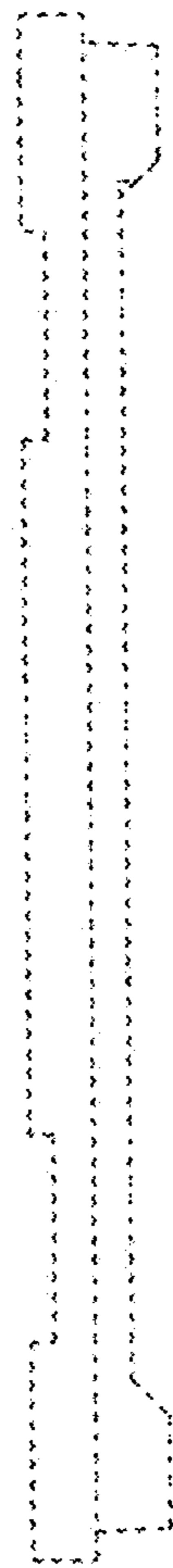
1.1



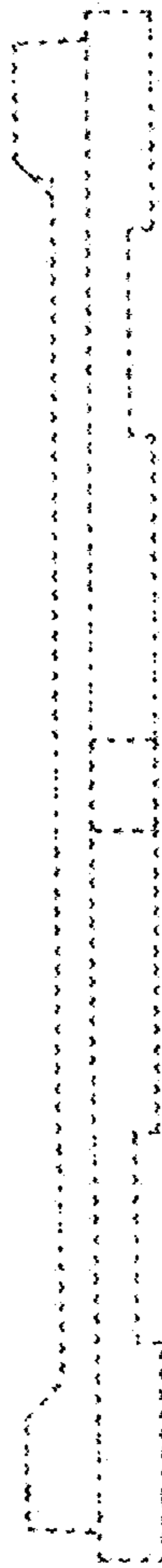
1.2



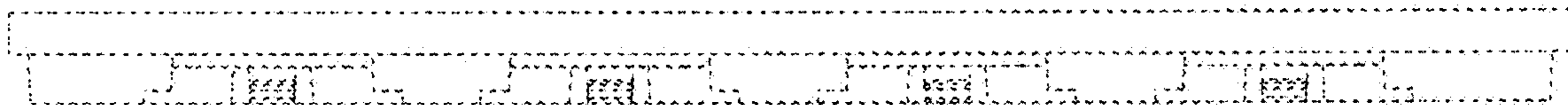
1.3



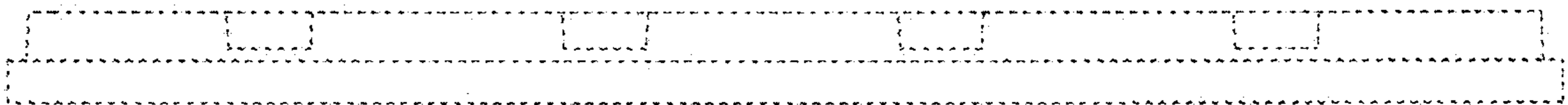
1.4



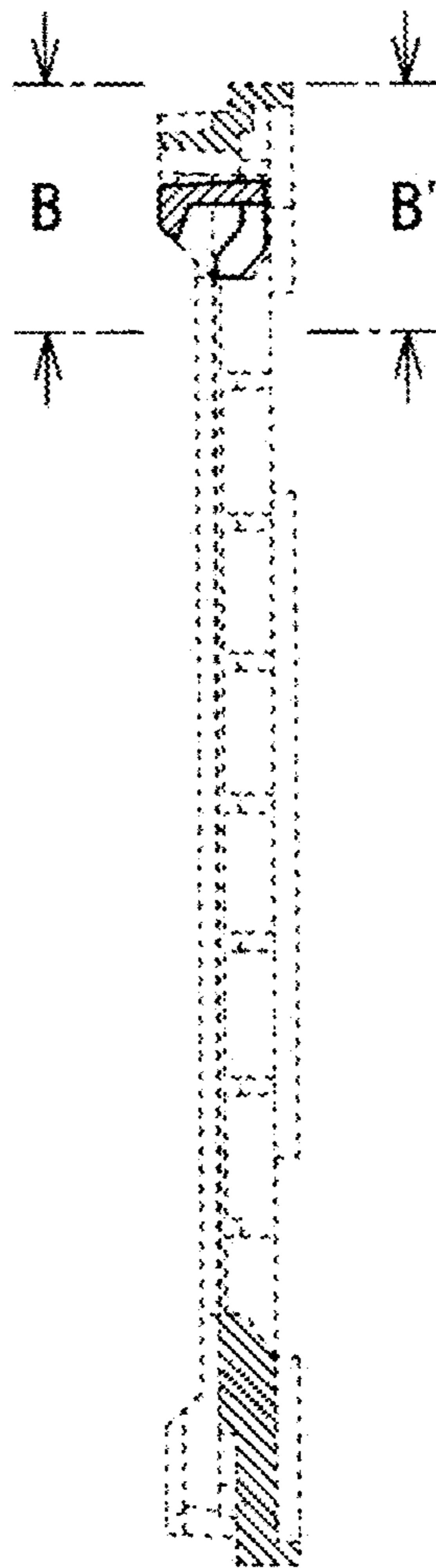
1.5



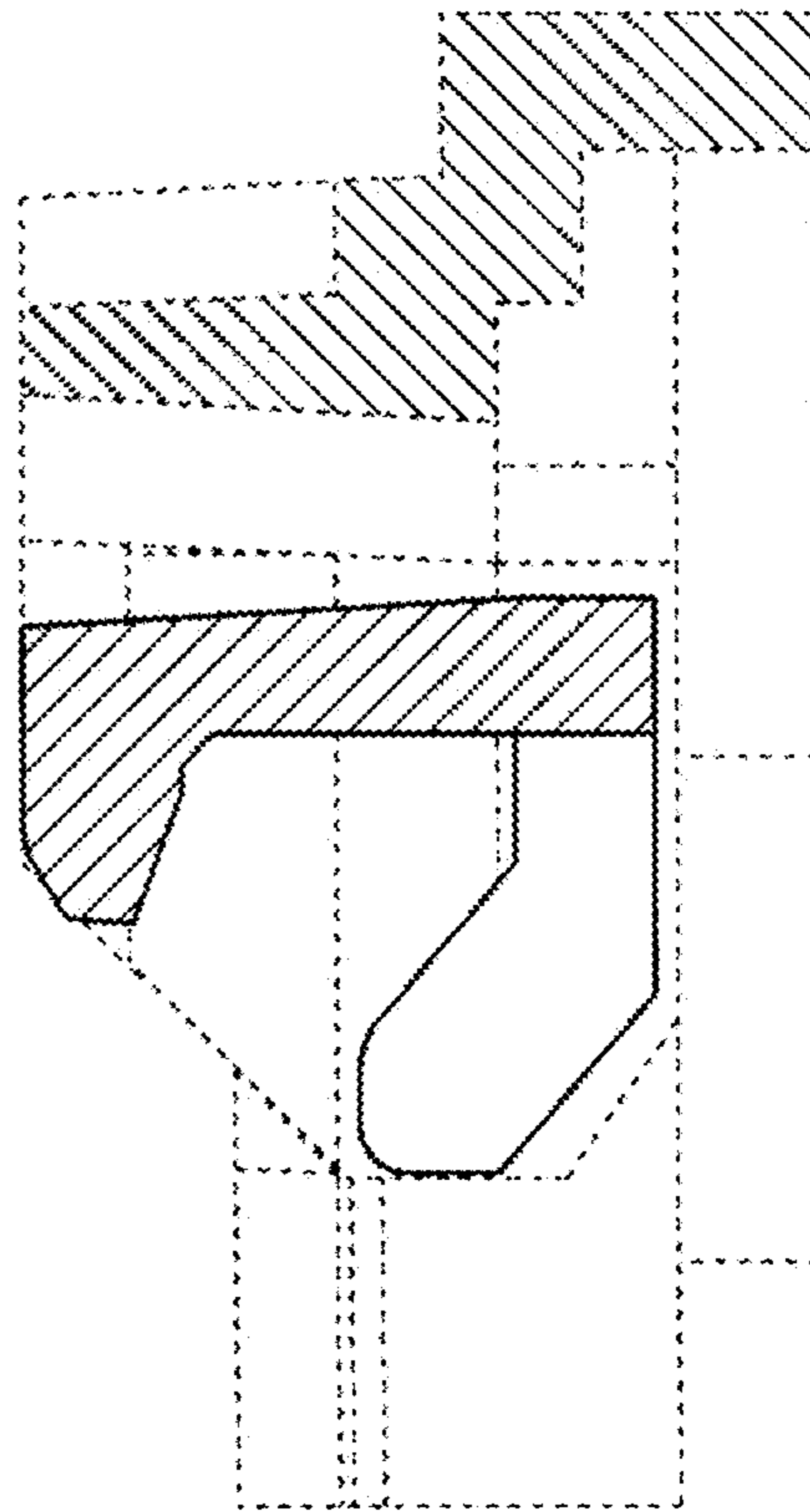
1.6



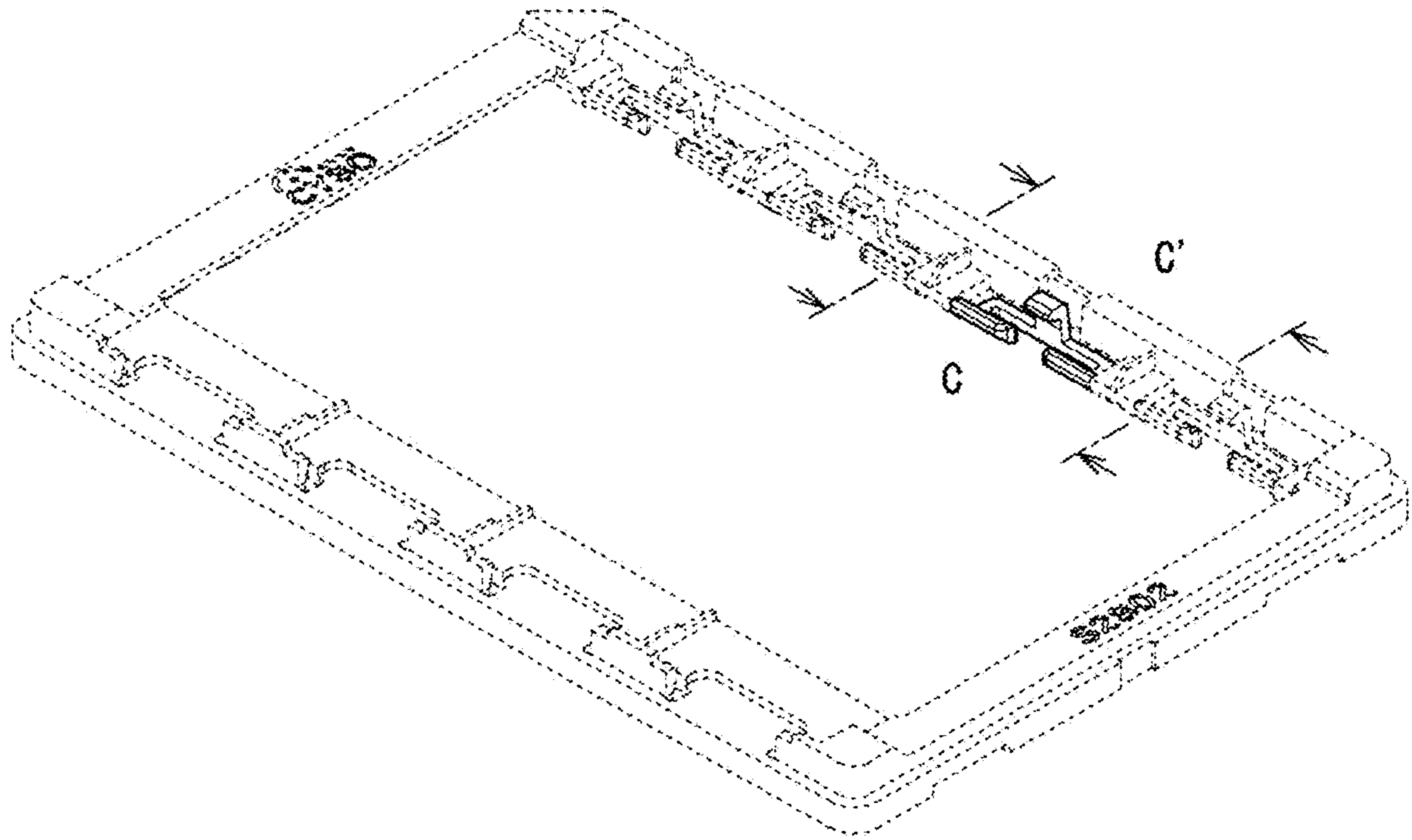
1.7



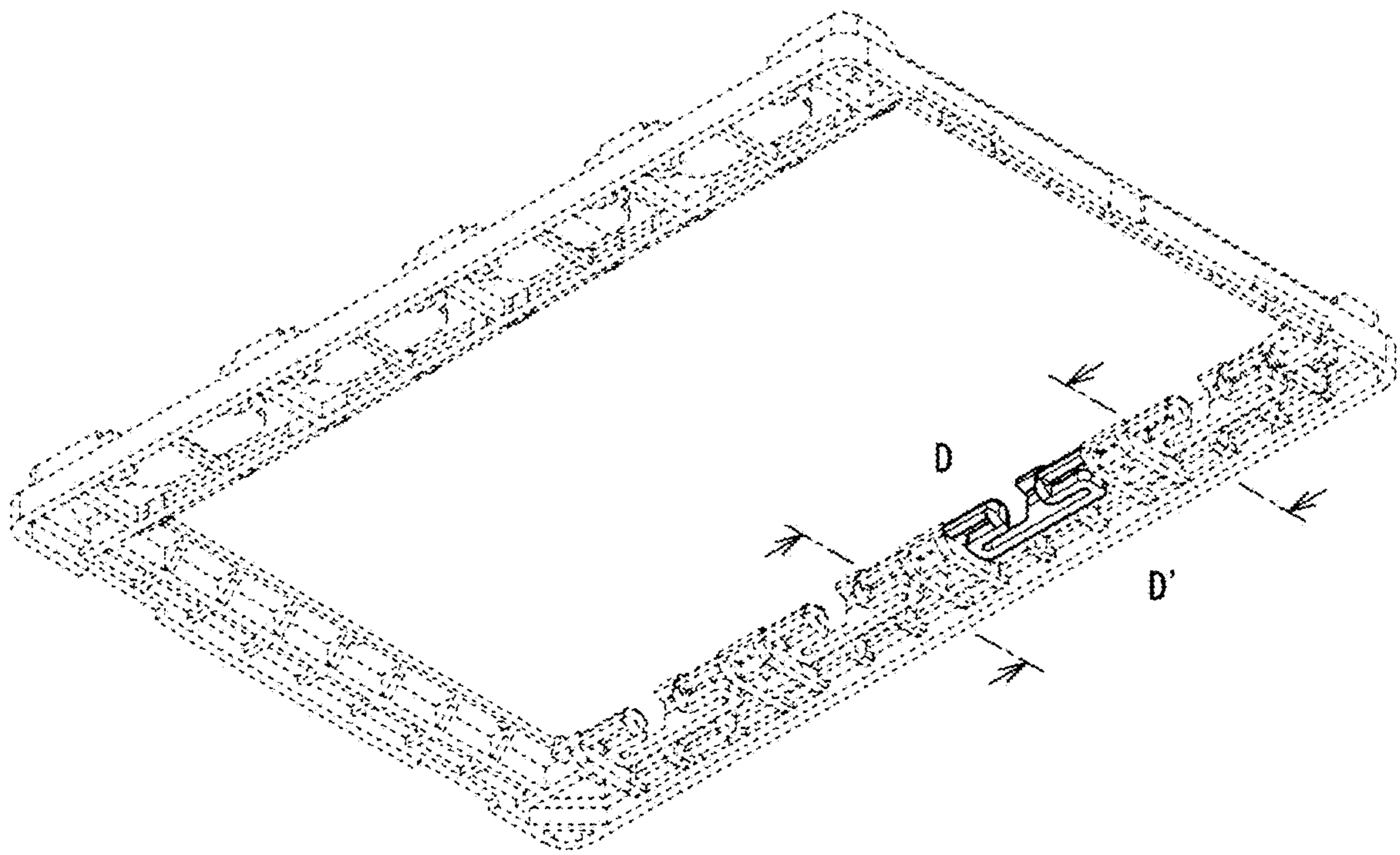
1.8



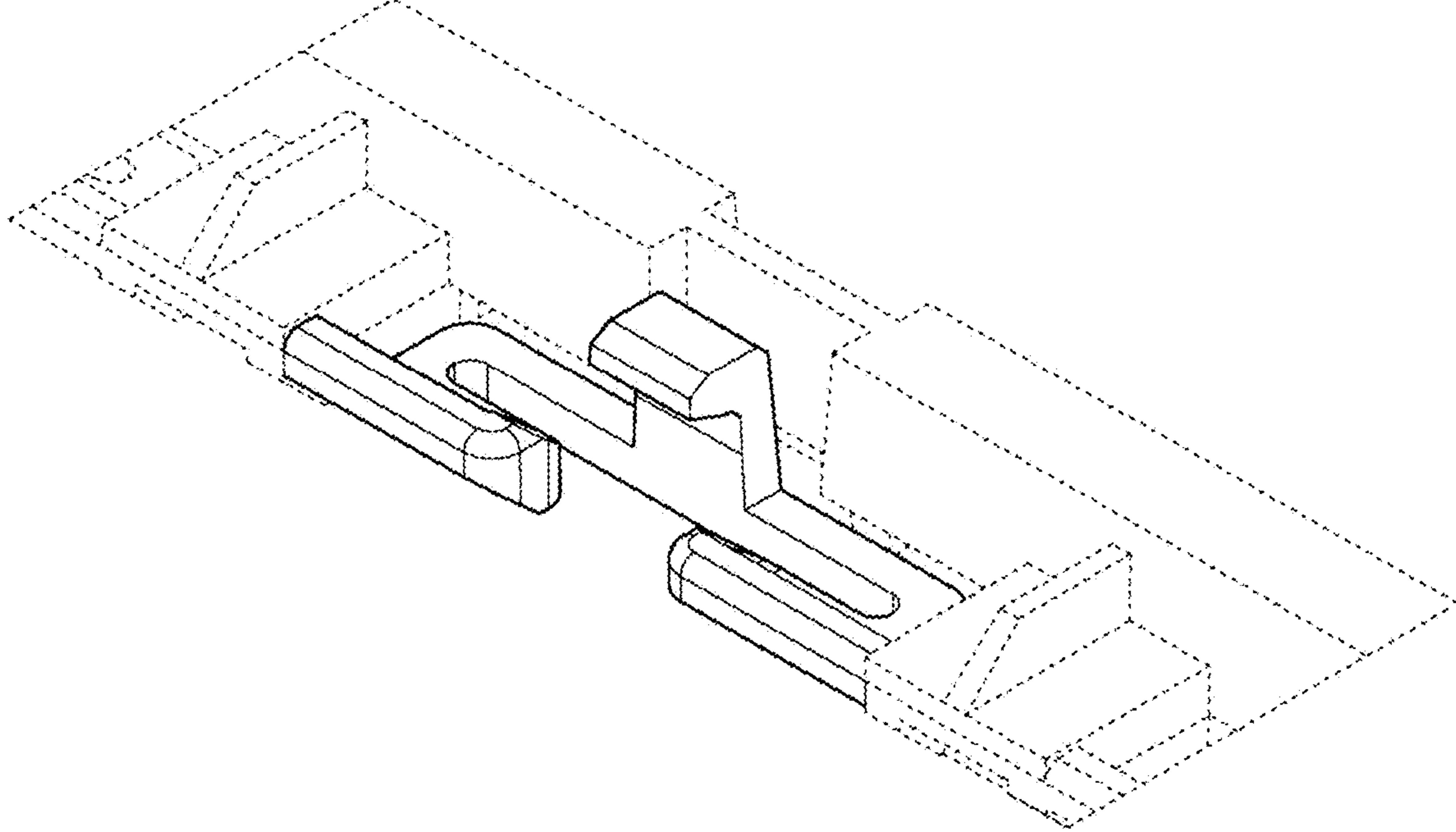
1.9



1.10



1.11



1.12

