



US00D980887S

(12) **United States Design Patent**
Schoenborn et al.

(10) **Patent No.:** **US D980,887 S**
(45) **Date of Patent:** **** Mar. 14, 2023**

(54) **CHAMBER**

(71) Applicant: **ILLINOIS TOOL WORKS INC.**,
Glenview, IL (US)

(72) Inventors: **Randall J. Schoenborn**, Allendale, MI
(US); **Brian Lackey**, Byron Center, MI
(US); **Simon Maria Fuchs**,
Koenigsdorf (DE)

(73) Assignee: **Illinois Tool Works Inc.**, Glenview, IL
(US)

(**) Term: **15 Years**

(21) Appl. No.: **29/774,751**

(22) Filed: **Mar. 18, 2021**

(51) **LOC (14) Cl.** **15-09**

(52) **U.S. Cl.**
USPC **D15/144.1**

(58) **Field of Classification Search**
USPC D13/118, 133, 158, 162, 184, 199;
D15/122, 138, 141, 144.1, 144.2, 199;
D23/213; D8/71, 499
CPC .. F23R 3/00; F23R 3/002; F23R 3/005; F23R
3/007; F23R 3/02; F23R 3/04; F23R
3/323854; F23R 3/56; F23R 3/045; F23R
5/00; F23R 7/00; F23R 2900/00
See application file for complete search history.

(56) **References Cited**

U.S. PATENT DOCUMENTS

- 4,445,716 A * 5/1984 Hoffman B29C 63/34
285/55
- D328,248 S * 7/1992 Ruff D9/503
- D356,858 S * 3/1995 Folkman D23/266
- D461,004 S * 7/2002 Searle D23/365
- D506,000 S * 6/2005 Christianson D23/364
- D574,863 S * 8/2008 Nagler D15/138

- 7,549,384 B2 * 6/2009 Nagler F16L 55/07
114/182
- D678,923 S * 3/2013 Stolz D15/138
- D825,029 S * 8/2018 Goldman D23/209
- D884,865 S * 5/2020 Damon D23/365

(Continued)

Primary Examiner — Patricia A Palasik

(74) *Attorney, Agent, or Firm* — Quarles & Brady LLP

(57) **CLAIM**

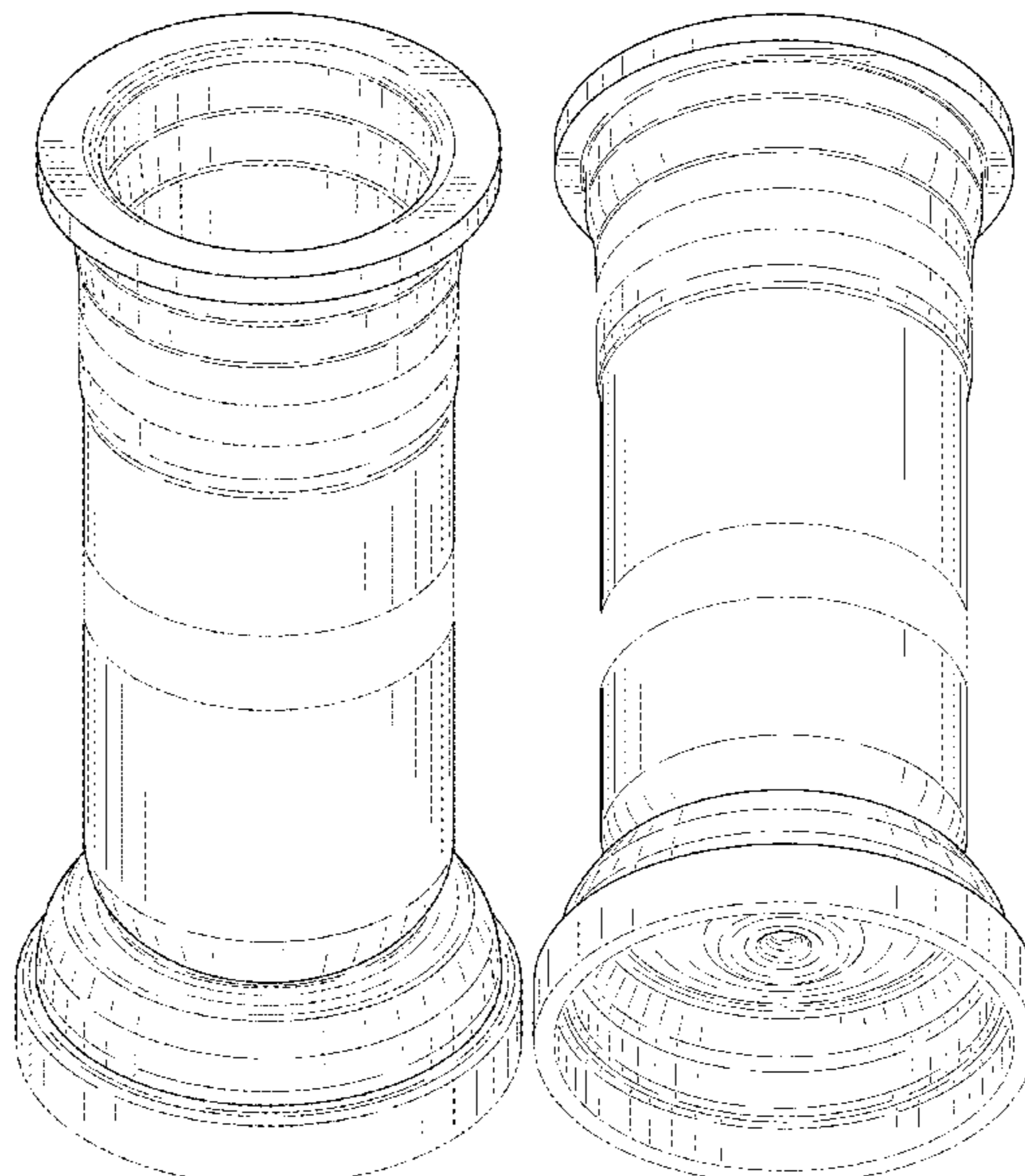
The ornamental design for a chamber, as shown and described.

DESCRIPTION

FIG. 1 is a top, right, and front isometric view of an ornamental design for a chamber;
 FIG. 2 is a bottom, left, and rear isometric view of the chamber of FIG. 1;
 FIG. 3 is a front elevational view of the chamber of FIG. 1;
 FIG. 4 is a rear elevational view of the chamber of FIG. 1;
 FIG. 5 is a left side elevational view of the chamber of FIG. 1;
 FIG. 6 is a right side elevational view of the chamber of FIG. 1;
 FIG. 7 is a top plan view of the chamber of FIG. 1;
 FIG. 8 is a bottom plan view of the chamber of FIG. 1; and,
 FIG. 9 is a front elevational, cross-sectional view taken through line 9-9 of the chamber of FIG. 7.

The dash-dash-dash broken lines are included for the purpose of illustrating portions of the chamber that form no part of the claimed design. The dash-dot-dash broken lines depict boundary lines and form no part of the claimed design. The chamber is shown with symbolic breaks in its length. The appearance of any portion of the chamber between the break lines form no part of the claimed design. The cross-hatching shown in the sectional view of FIG. 9 is not representative of any specific material.

1 Claim, 8 Drawing Sheets



(56)

References Cited

U.S. PATENT DOCUMENTS

D911,402 S * 2/2021 Prymula D15/144.1
D913,979 S * 3/2021 Babu D13/182
D916,937 S * 4/2021 Kellner D15/138
D941,371 S * 1/2022 Lavitsky D15/138
2017/0326482 A1 * 11/2017 Prchal B01D 35/00

* cited by examiner

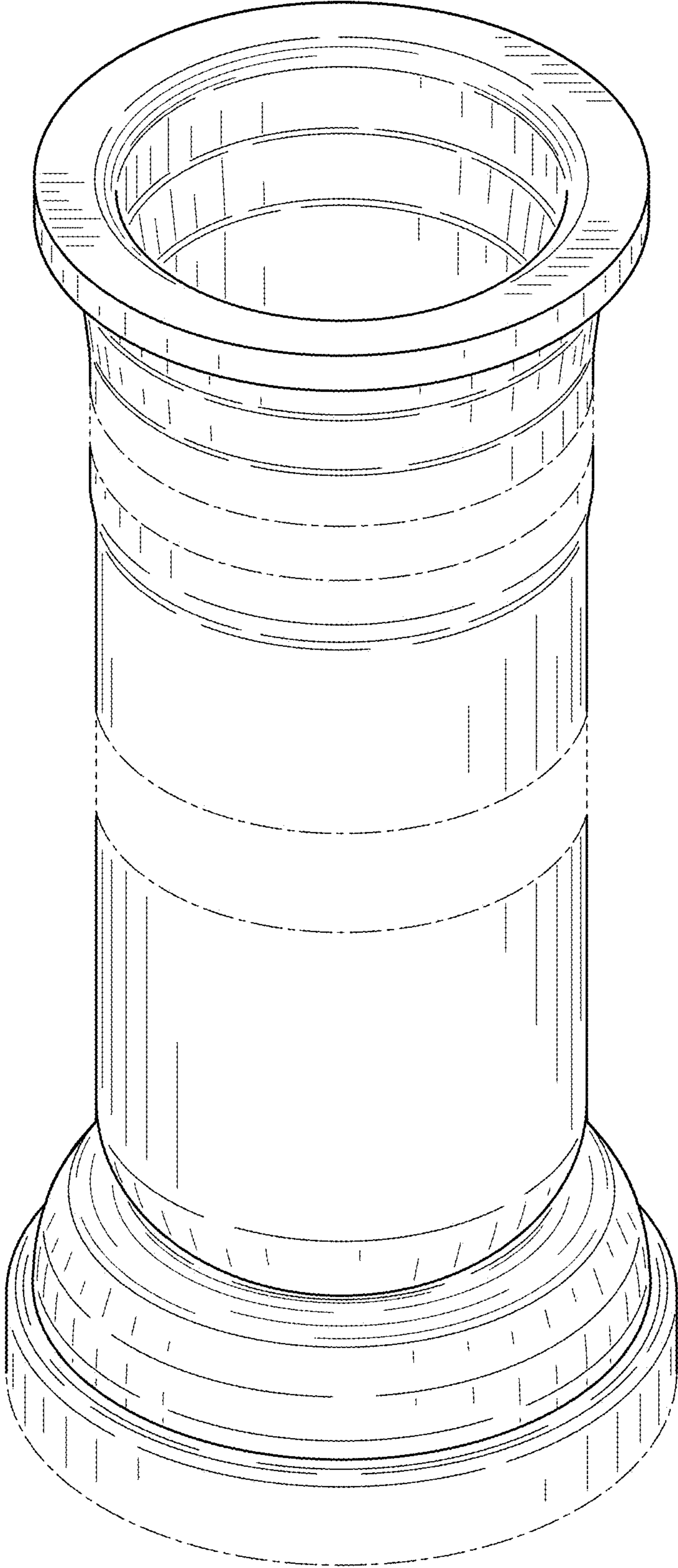


FIG. 1

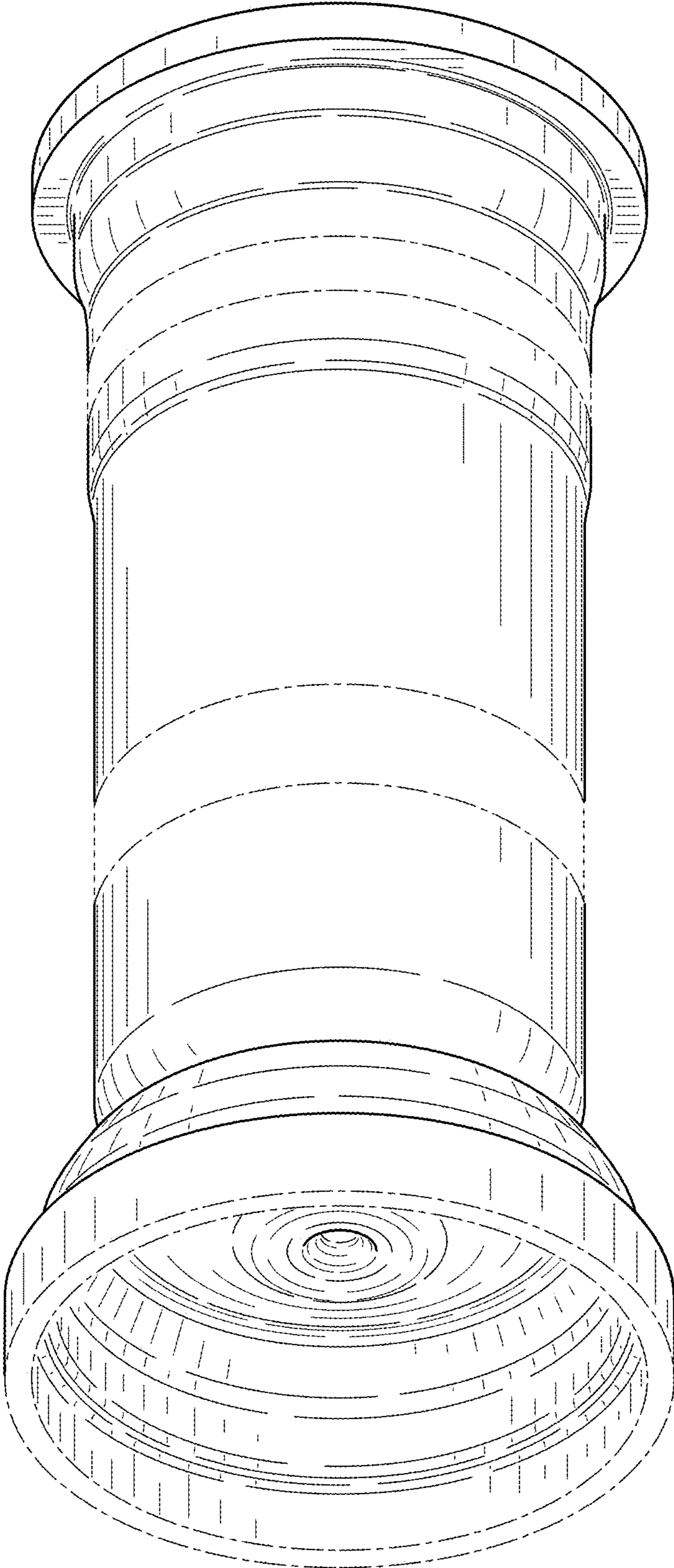


FIG. 2

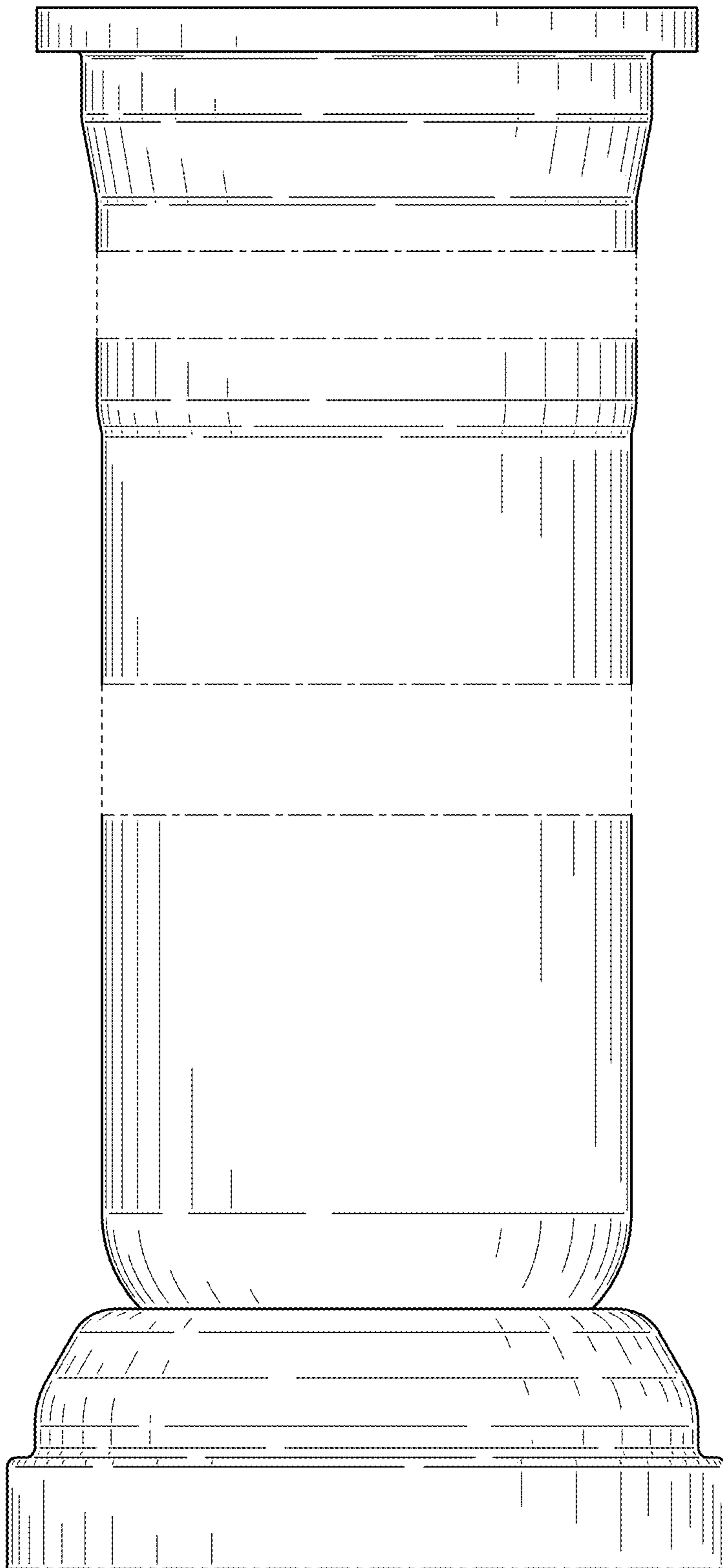


FIG. 3

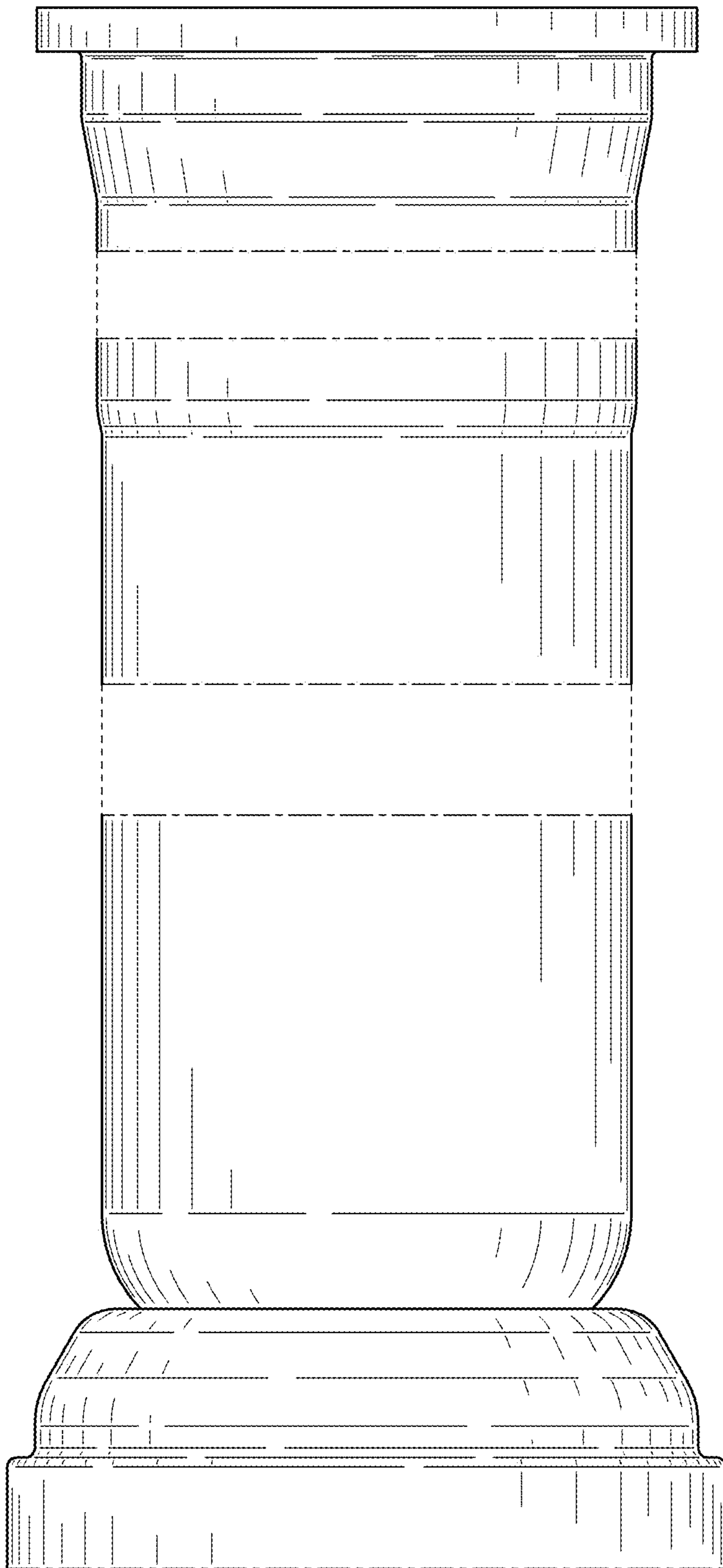


FIG. 4

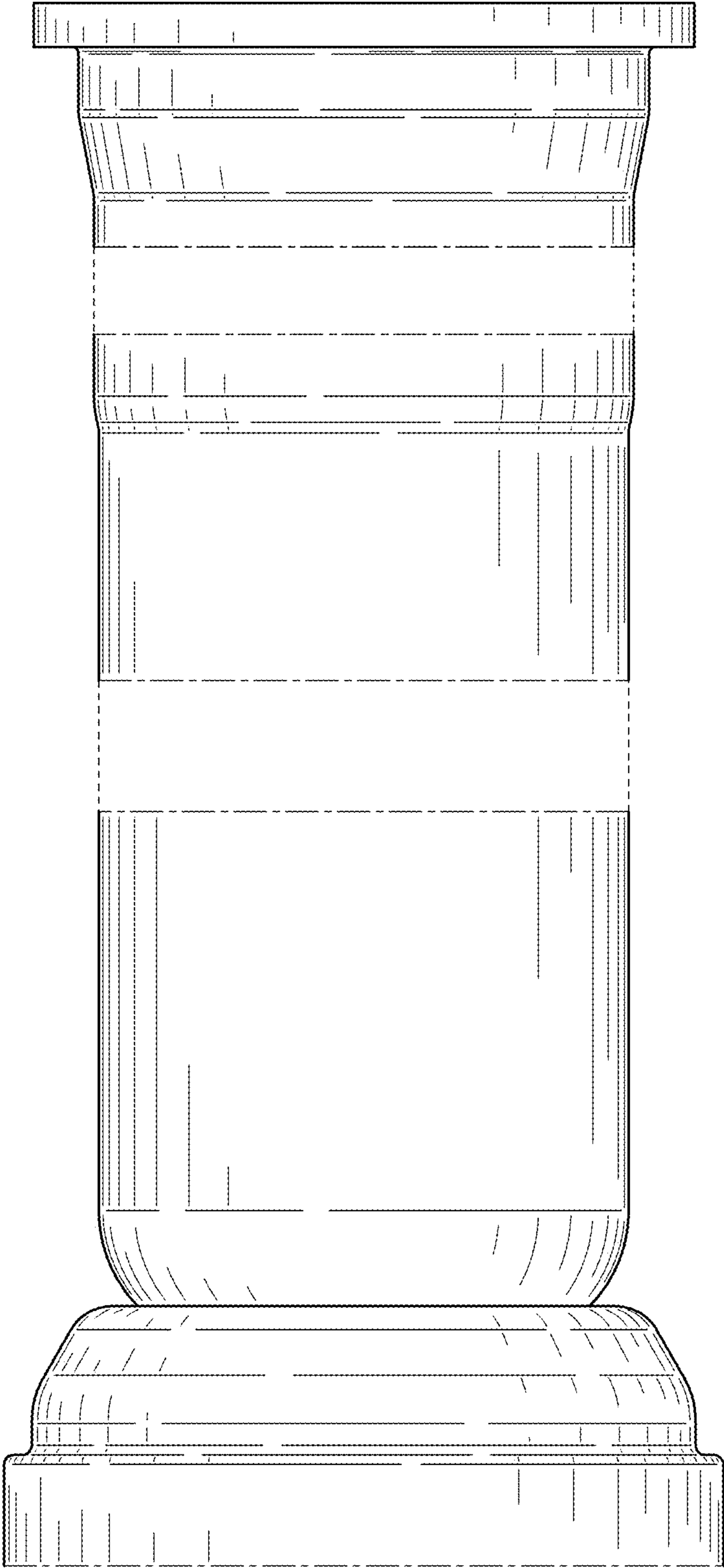


FIG. 5

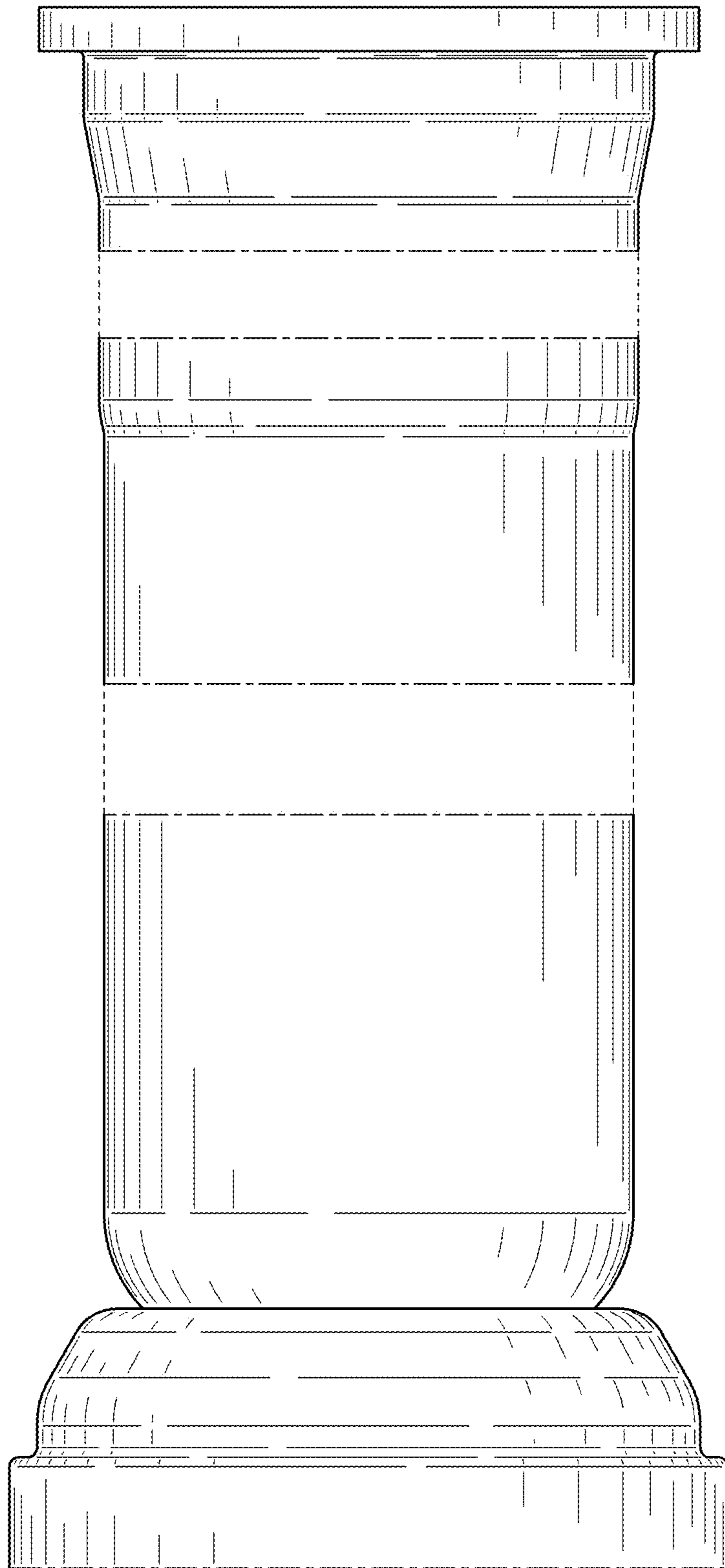


FIG. 6

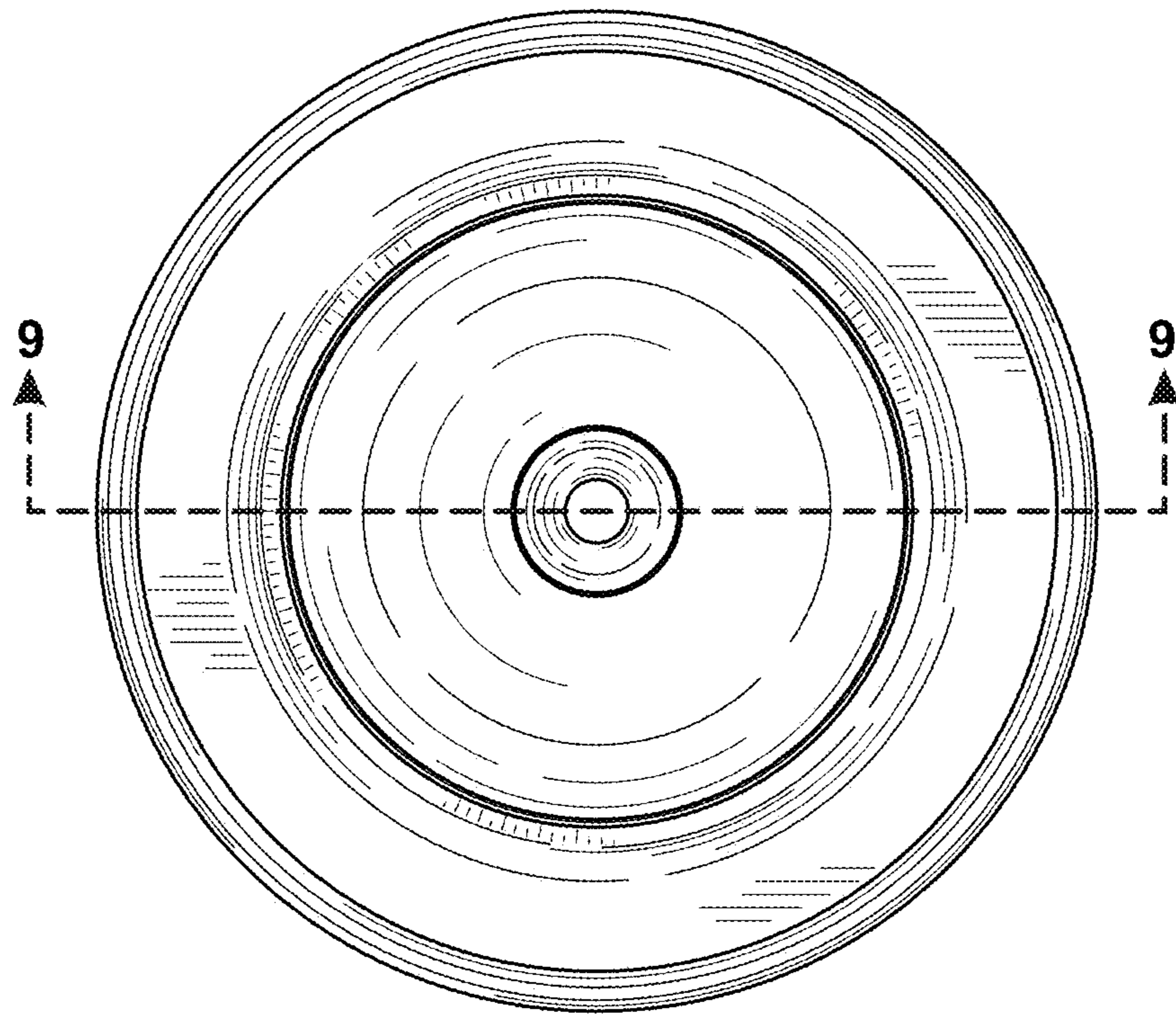


FIG. 7

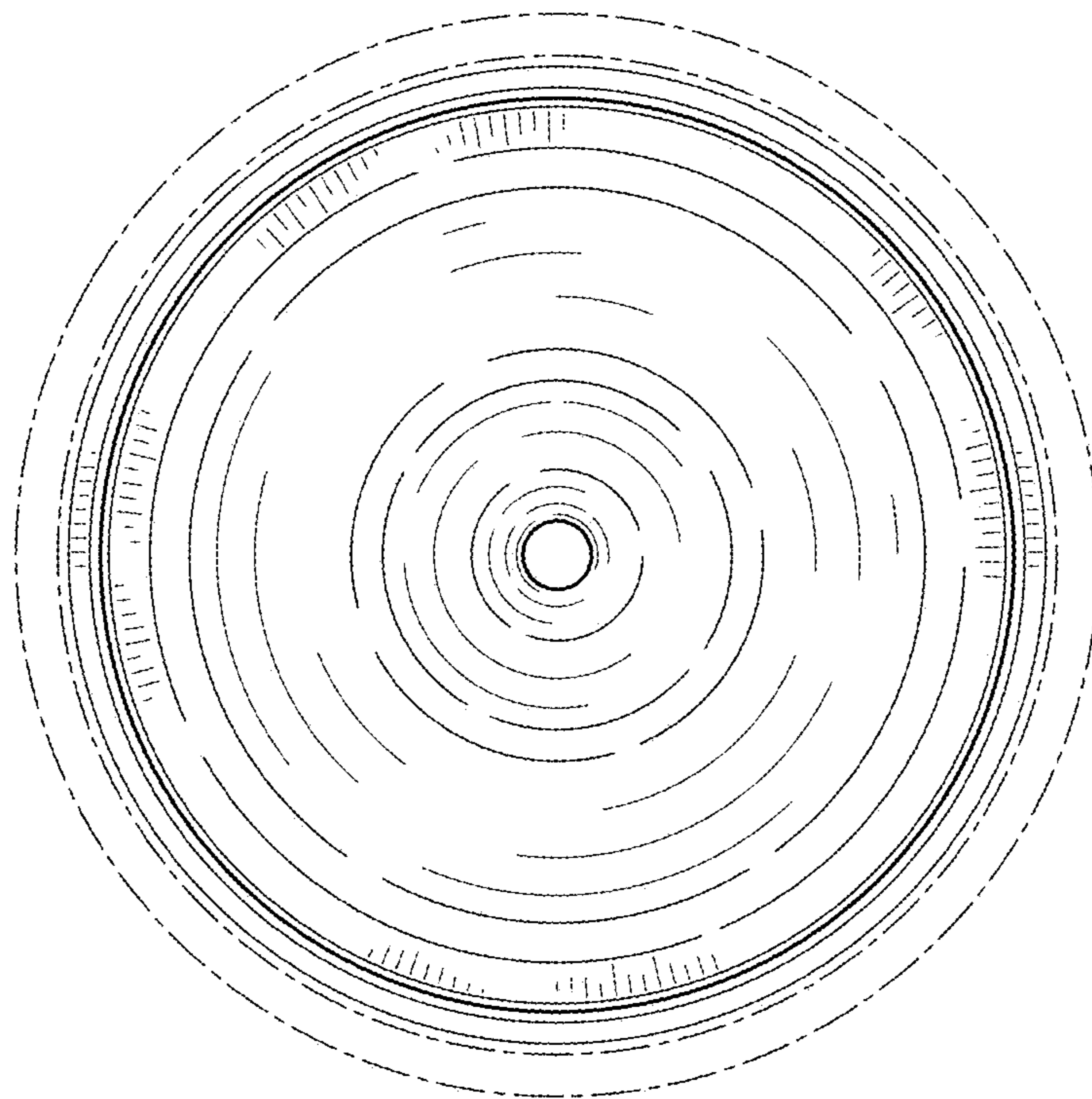


FIG. 8

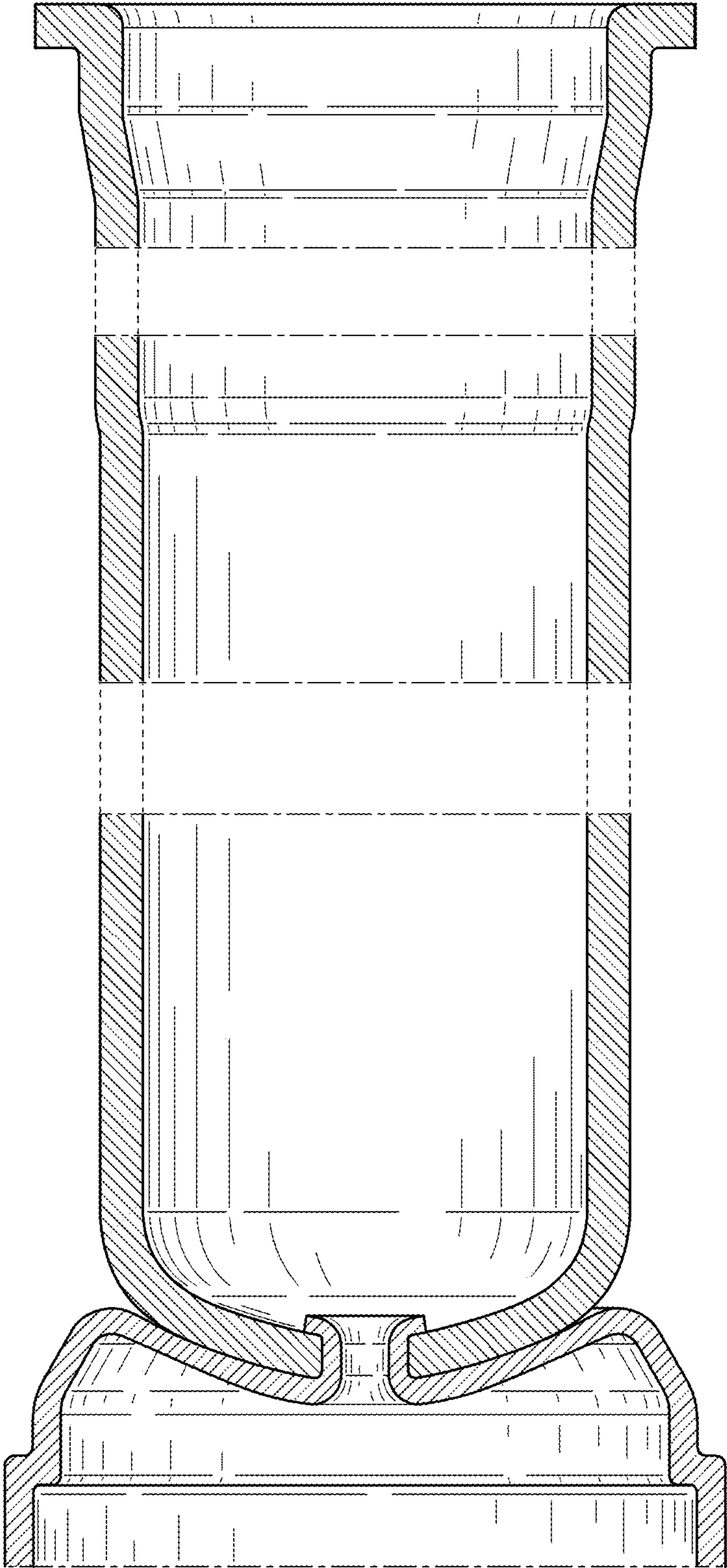


FIG. 9