



US00D980885S

(12) **United States Design Patent** (10) **Patent No.:** **US D980,885 S**  
**Kachline et al.** (45) **Date of Patent:** **\*\* Mar. 14, 2023**

- (54) **WELDING TORCH HANDLE**
- (71) Applicant: **Lincoln Global, Inc.**, Santa Fe Springs, CA (US)
- (72) Inventors: **Jeffrey L. Kachline**, Kirtland, OH (US); **Daniel Herrera Vazquez**, Durango (MX)
- (73) Assignee: **Lincoln Global, Inc.**, Santa Fe Springs, CA (US)
- (\*\*) Term: **15 Years**
- (21) Appl. No.: **29/771,432**
- (22) Filed: **Feb. 23, 2021**
- (51) **LOC (14) Cl.** ..... **15-09**
- (52) **U.S. Cl.**  
USPC ..... **D15/144; D8/30**
- (58) **Field of Classification Search**  
USPC ..... D8/29.1, 29.2, 30, 61, 107; D15/144, D15/144.1, 144.2; D23/226  
CPC ..... B23K 9/00; B23K 9/0953; B23K 9/124; B23K 9/325; B23K 9/287; B23K 9/32; B23K 9/295  
See application file for complete search history.

- (56) **References Cited**
- U.S. PATENT DOCUMENTS
- |              |         |          |       |         |
|--------------|---------|----------|-------|---------|
| D326,594 S * | 6/1992  | Haberman | ..... | D8/30   |
| D403,216 S * | 12/1998 | Romine   | ..... | D8/30   |
| D486,368 S * | 2/2004  | Jones    | ..... | D8/30   |
| D488,968 S * | 4/2004  | Kinerson | ..... | D8/30   |
| D532,432 S * | 11/2006 | Owens    | ..... | D8/107  |
| D537,092 S * | 2/2007  | Owens    | ..... | D8/107  |
| D735,002 S * | 7/2015  | Bondy    | ..... | D8/30   |
| D752,403 S * | 3/2016  | Kindig   |       |         |
| D771,727 S * | 11/2016 | Imi      | ..... | D15/144 |
| D849,808 S * | 5/2019  | Assmann  | ..... | D8/107  |

- |                   |         |                        |       |                           |
|-------------------|---------|------------------------|-------|---------------------------|
| D875,799 S *      | 2/2020  | Crowe                  | ..... | D8/30                     |
| D876,914 S *      | 3/2020  | Mitterhumer            | ..... | D8/30                     |
| D881,664 S        | 4/2020  | Vazquez et al.         |       |                           |
| D882,361 S        | 4/2020  | Calandreli Cruz et al. |       |                           |
| D883,055 S        | 5/2020  | Vazquez et al.         |       |                           |
| D888,529 S *      | 6/2020  | Hartel                 | ..... | D8/30                     |
| D893,967 S        | 8/2020  | Vazquez et al.         |       |                           |
| D904,146 S *      | 12/2020 | Grossauer              | ..... | D8/30                     |
| D945,230 S *      | 3/2022  | Hartel                 | ..... | D8/30                     |
| 2016/0129516 A1 * | 5/2016  | Hoeger                 | ..... | B23K 9/0953<br>219/121.11 |

FOREIGN PATENT DOCUMENTS

- WO WO-2016048980 A2 \* 3/2016 ..... B23K 9/173  
\* cited by examiner

*Primary Examiner* — Patricia A Palasik  
 (74) *Attorney, Agent, or Firm* — Brad C. Spencer

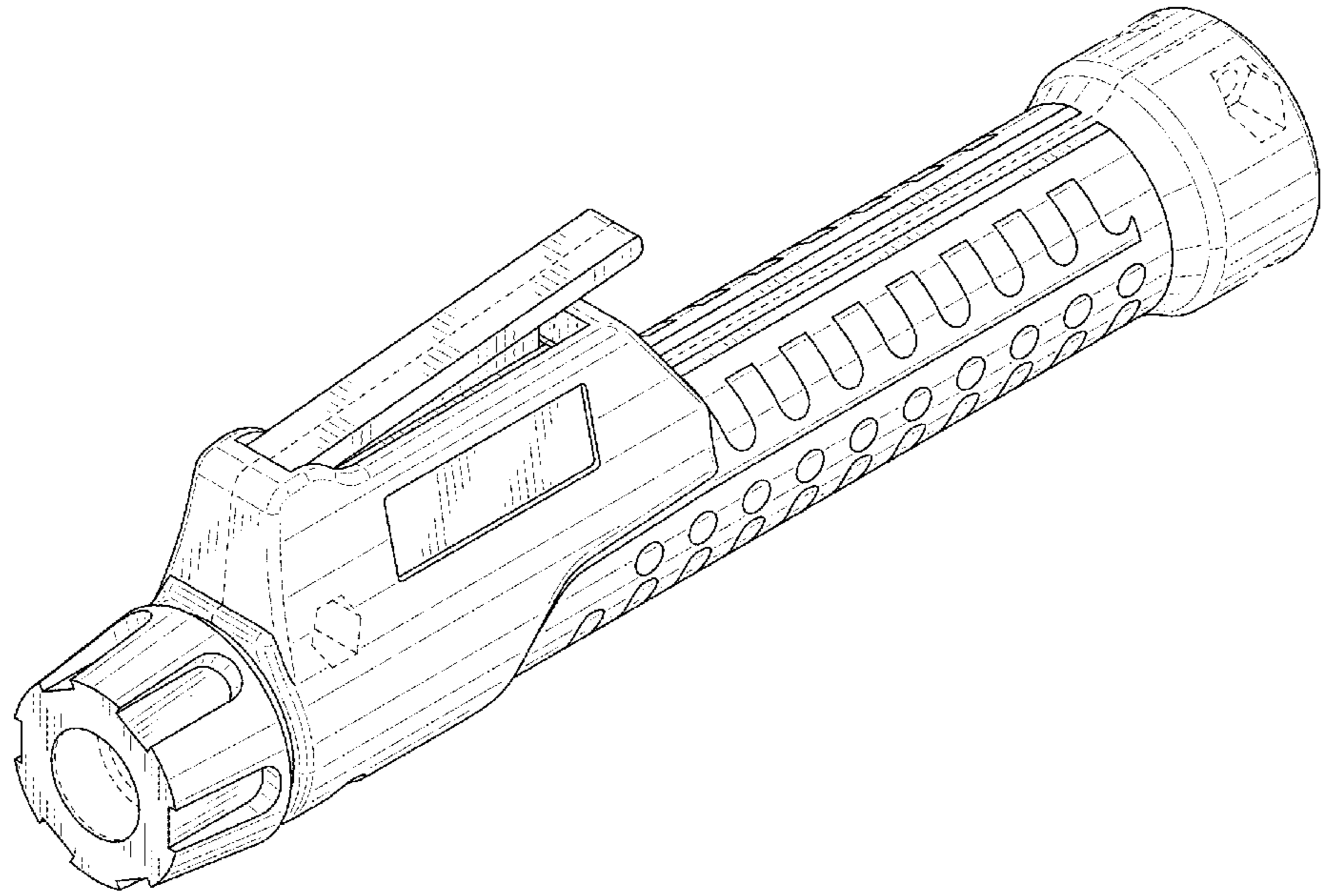
(57) **CLAIM**

The ornamental design for a welding torch handle, as shown and described.

**DESCRIPTION**

FIG. 1 is a front perspective view of the design for a welding torch handle;  
 FIG. 2 is a right side view thereof;  
 FIG. 3 is a front view thereof;  
 FIG. 4 is a rear view thereof;  
 FIG. 5 is a left side view thereof;  
 FIG. 6 is a top plan view thereof;  
 FIG. 7 is a bottom plan view thereof; and,  
 FIG. 8 is a rear perspective view thereof.  
 In these drawings, the solid lines illustrate the claimed ornamental design, whereas the broken lines illustrate portions of the welding torch handle that form no part of the claimed design.

**1 Claim, 7 Drawing Sheets**



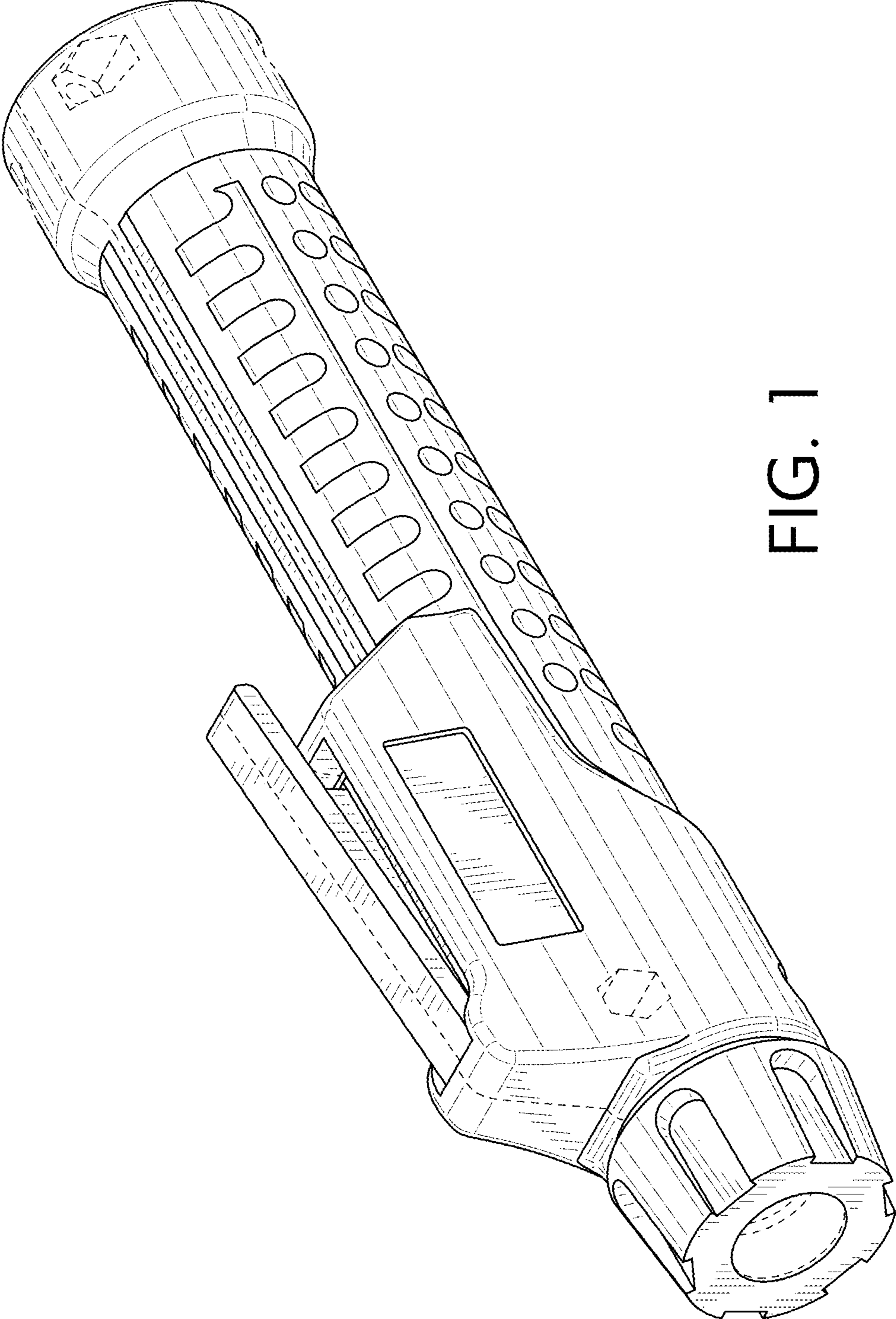


FIG. 1

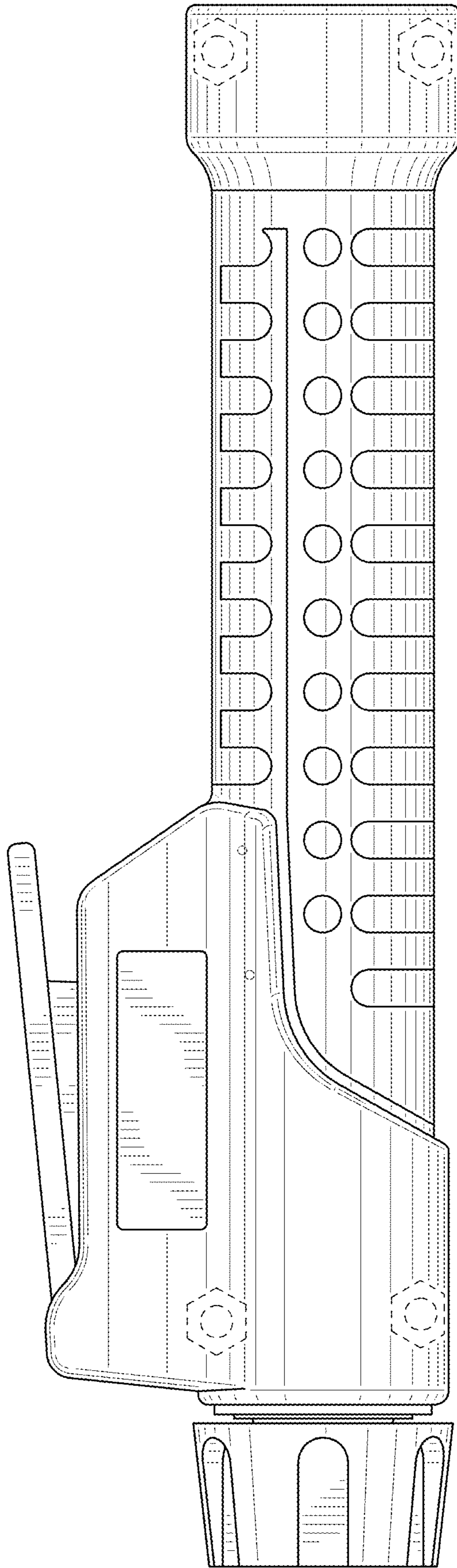


FIG. 2

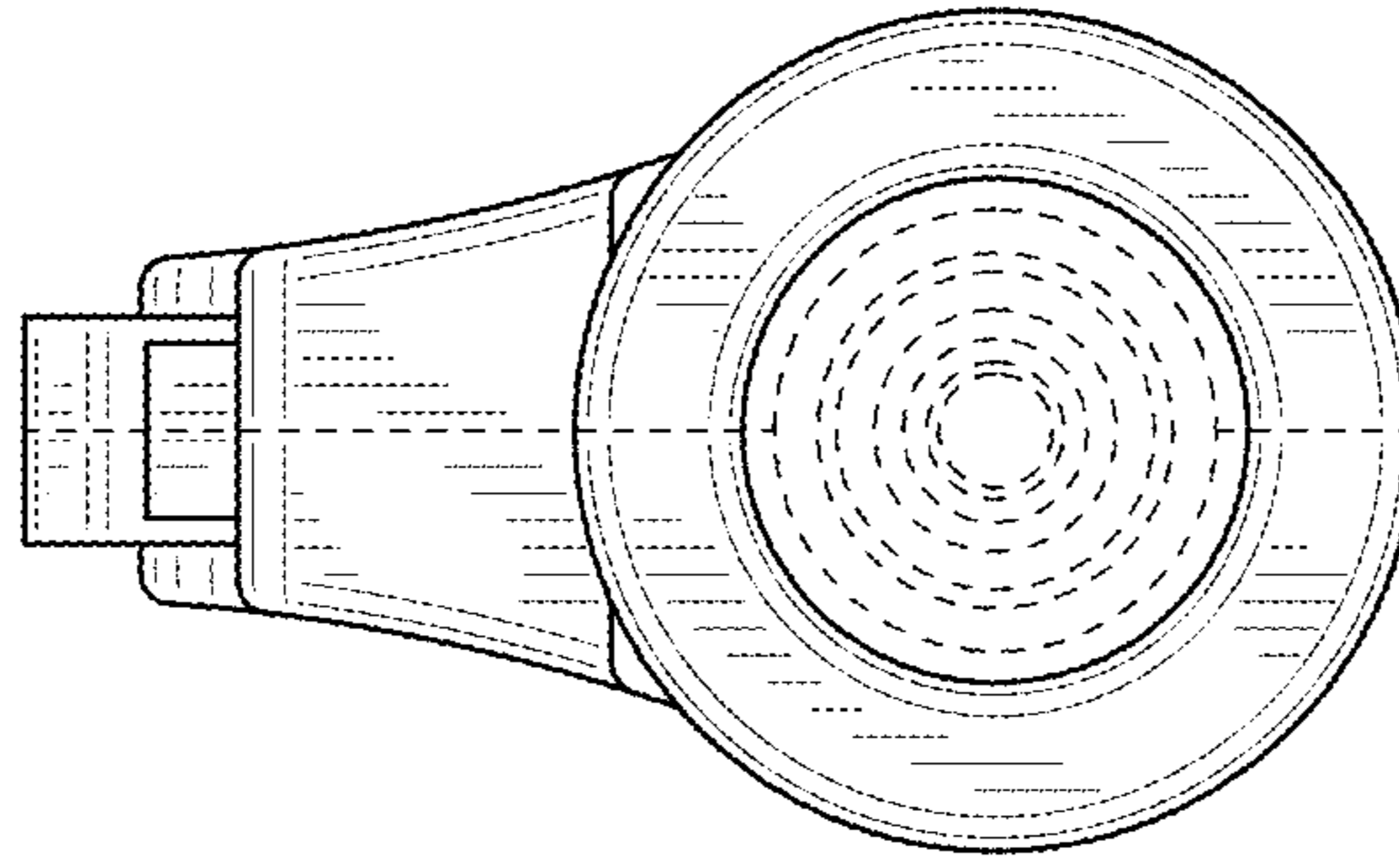


FIG. 4

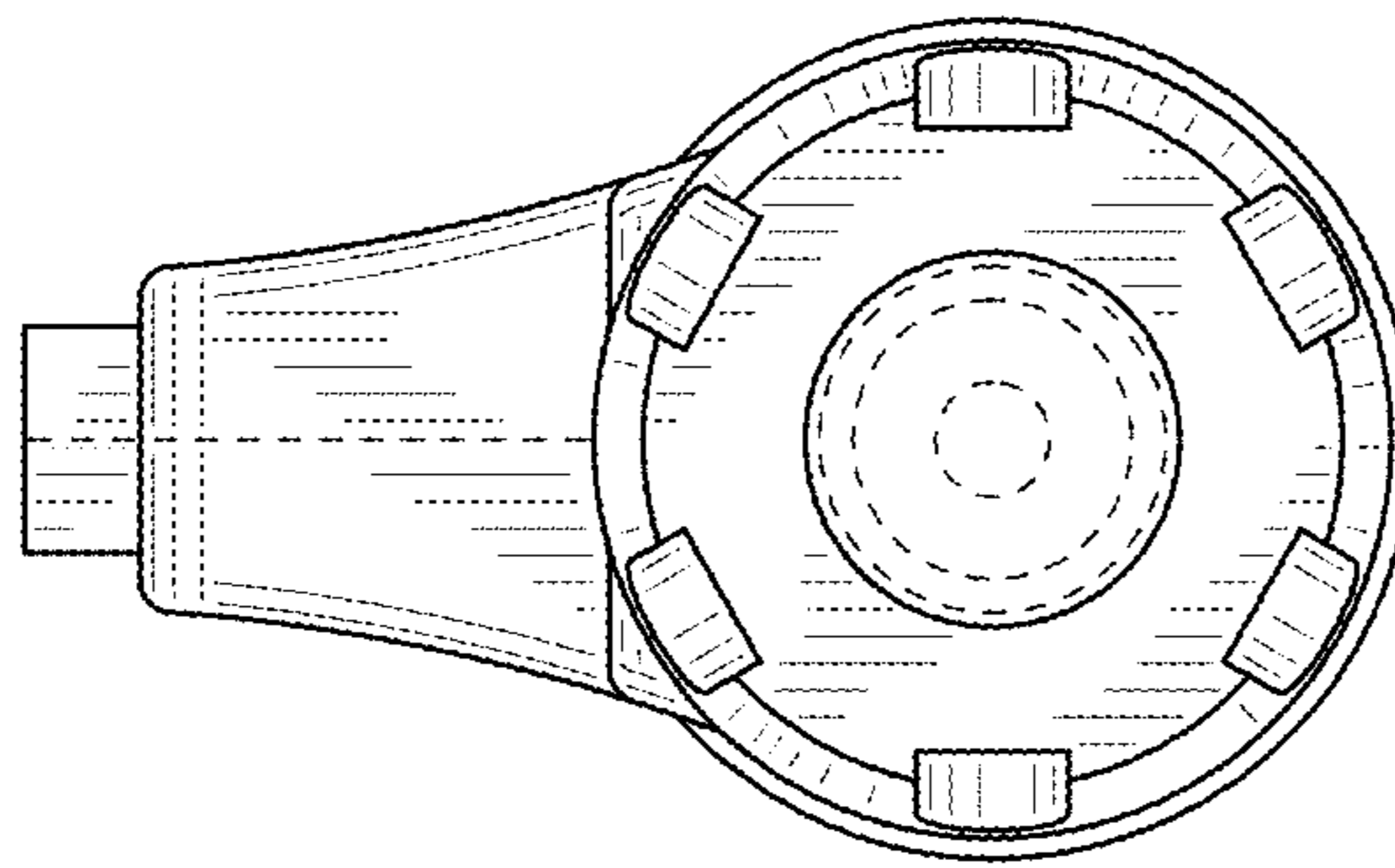


FIG. 3

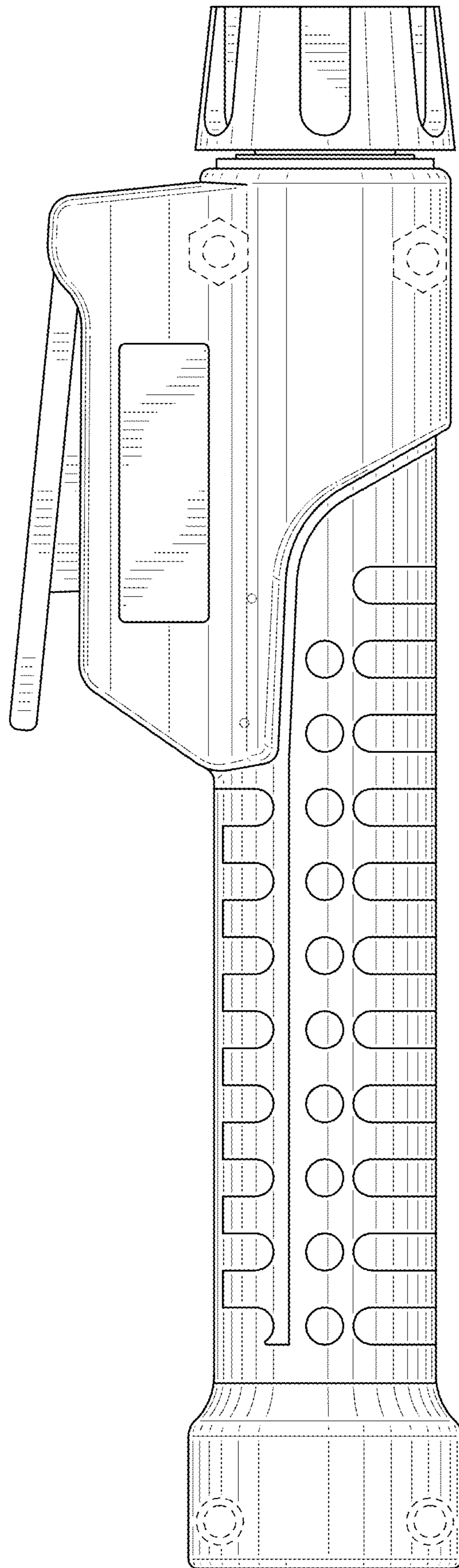


FIG. 5

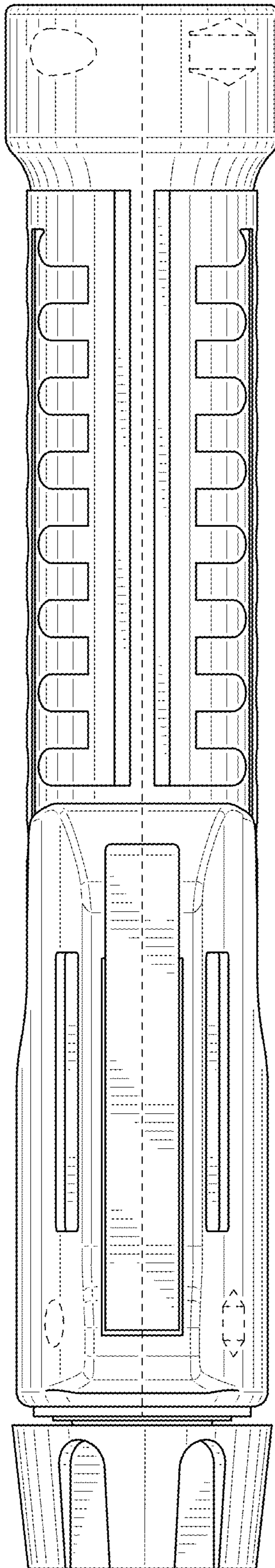


FIG. 6

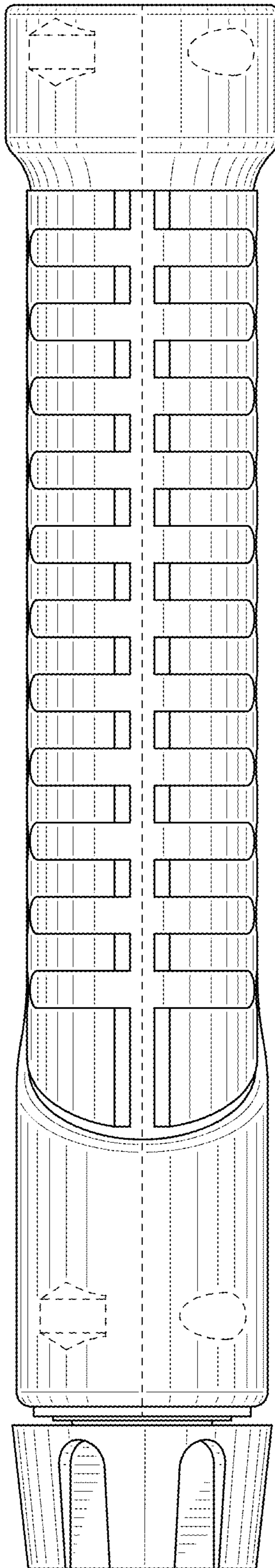


FIG. 7

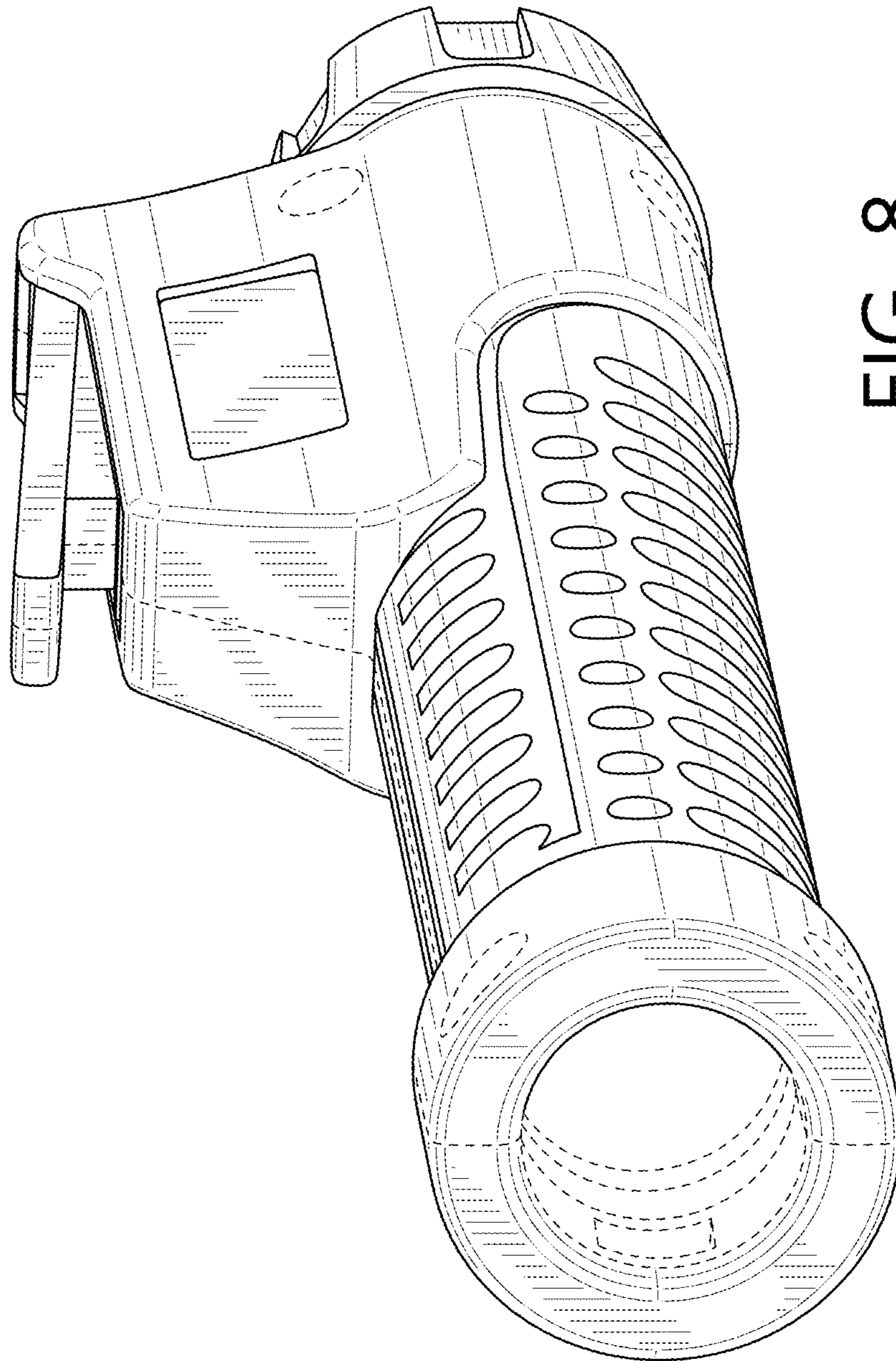


FIG. 8