



US00D980883S

(12) **United States Design Patent** (10) **Patent No.:** **US D980,883 S**
Yin (45) **Date of Patent:** **** Mar. 14, 2023**

(54) **CUP TURNER**

(71) Applicant: **Rui Yin**, Hunan Province (CN)

(72) Inventor: **Rui Yin**, Hunan Province (CN)

(**) Term: **15 Years**

(21) Appl. No.: **29/806,887**

(22) Filed: **Sep. 7, 2021**

(51) **LOC (14) Cl.** **15-09**

(52) **U.S. Cl.**
USPC **D15/122; D15/140; D15/130**

(58) **Field of Classification Search**
USPC D34/29; D19/70, 108, 109; D15/124,
D15/125, 130, 132, 140, 141
CPC B05C 11/08; B05C 13/025; B05C 1/022;
B05D 1/002
See application file for complete search history.

(56) **References Cited**

U.S. PATENT DOCUMENTS

D126,229 S *	4/1941	Anesi	D15/125
D143,683 S *	1/1946	Tobias	D15/126
D153,751 S *	5/1949	Apple	D15/125
D340,341 S *	10/1993	Lawless	D34/28
5,493,979 A *	2/1996	Ackermann	D05B 27/10 112/318
D472,564 S *	4/2003	Corcoran	D15/123
D746,532 S *	12/2015	Meyer	D34/29
D908,749 S *	1/2021	Luo	D15/140
D915,476 S *	4/2021	Luo	D15/140
D936,115 S *	11/2021	Yang	D15/140
D943,377 S *	2/2022	Xu	D15/140
D947,261 S *	3/2022	He	D15/140
D947,263 S *	3/2022	He	D15/140
2007/0082135 A1 *	4/2007	Lee	C03C 17/326 427/346
2019/0358666 A1 *	11/2019	Gill, Jr.	B05D 1/002

OTHER PUBLICATIONS

Kingbaas, 6 Cup Turners for Crafts Tumbler, (first available Jul. 3, 2021), Amazon.com, URL:<<https://www.amazon.com/Turners-Tumbler-tumblers-Spinner-Tumblers/dp/B098L6PMSX>> (Year: 2021).*
Artotok, 8 Multi Cup Turners for Crafts Tumbler Cup Spinner Machine Kit, (first available Apr. 28, 2022), Amazon.com, URL:<<https://www.amazon.com/dp/B09H2H1B11>> (Year: 2022).*
Waqonuy, 6 Cup Turner for Crafts Tumbler, (first available Aug. 8, 2021), Amazon.com, URL:<<https://www.amazon.com/dp/B09MZYJTCC>> (Year: 2021).*
Best Products Reviews, "10 Best Cup Turner In The US—Aug. 2022", (2022), Best Products Reviews website, RUL:<<https://www.bestproductsreviews.com/cup-turner>> (Year: 2022).*

* cited by examiner

Primary Examiner — Calvin E Vansant
Assistant Examiner — Mark T. Philipps
(74) *Attorney, Agent, or Firm* — Che-Yang Chen; Law Office of Michael Chen

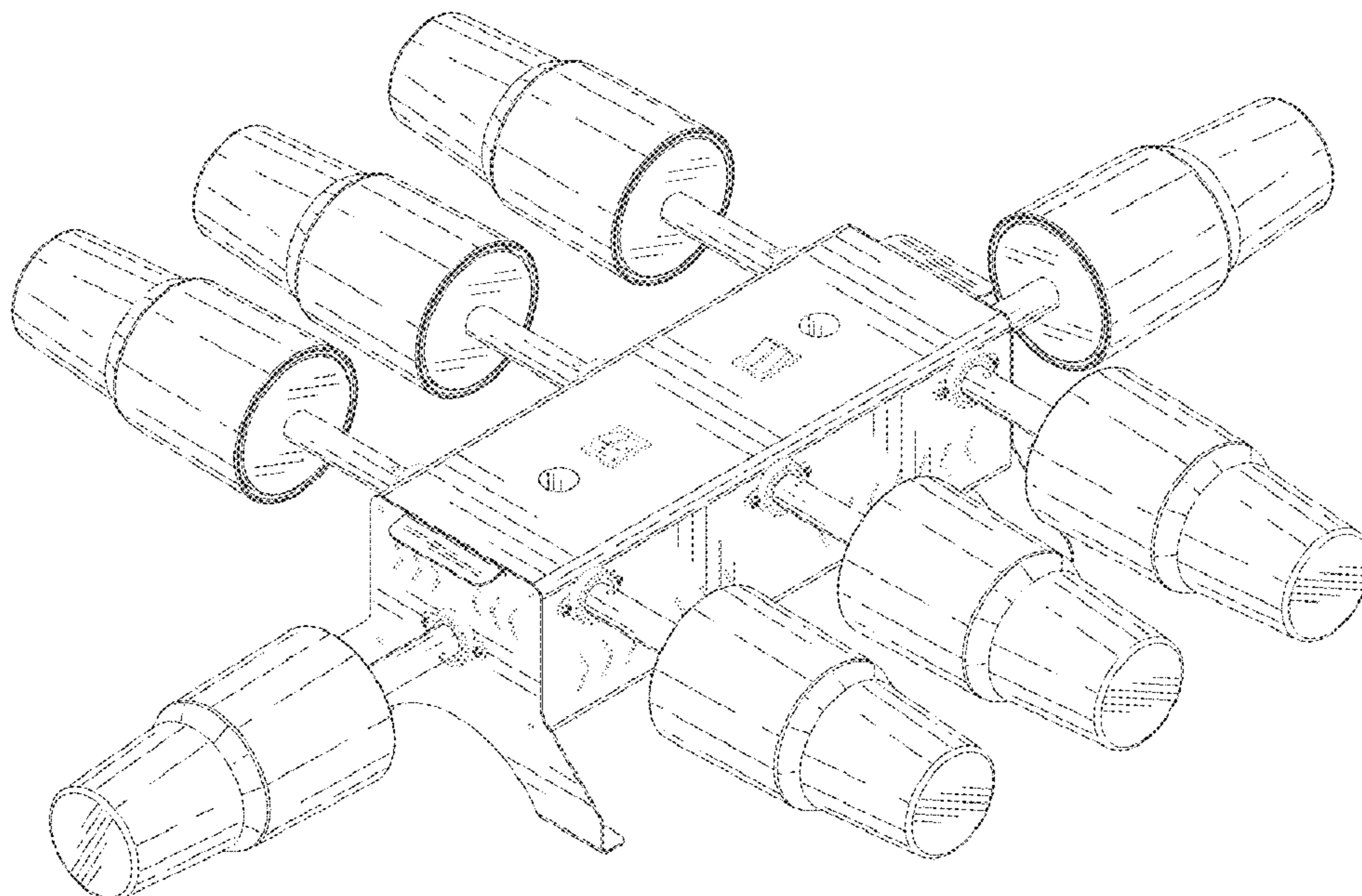
(57) **CLAIM**

The ornamental design for a cup turner, as shown and described.

DESCRIPTION

FIG. 1 is a perspective view of the cup turner showing my new design;
FIG. 2 is a perspective view thereof from another angle;
FIG. 3 is a top plan view thereof;
FIG. 4 is a bottom plan view thereof;
FIG. 5 is a left side elevational view thereof;
FIG. 6 is a right side elevational view thereof;
FIG. 7 is a front elevational view thereof; and,
FIG. 8 is a rear elevational view thereof.
The broken lines depict portions of the cup turner that form no part of the claimed design.

1 Claim, 8 Drawing Sheets



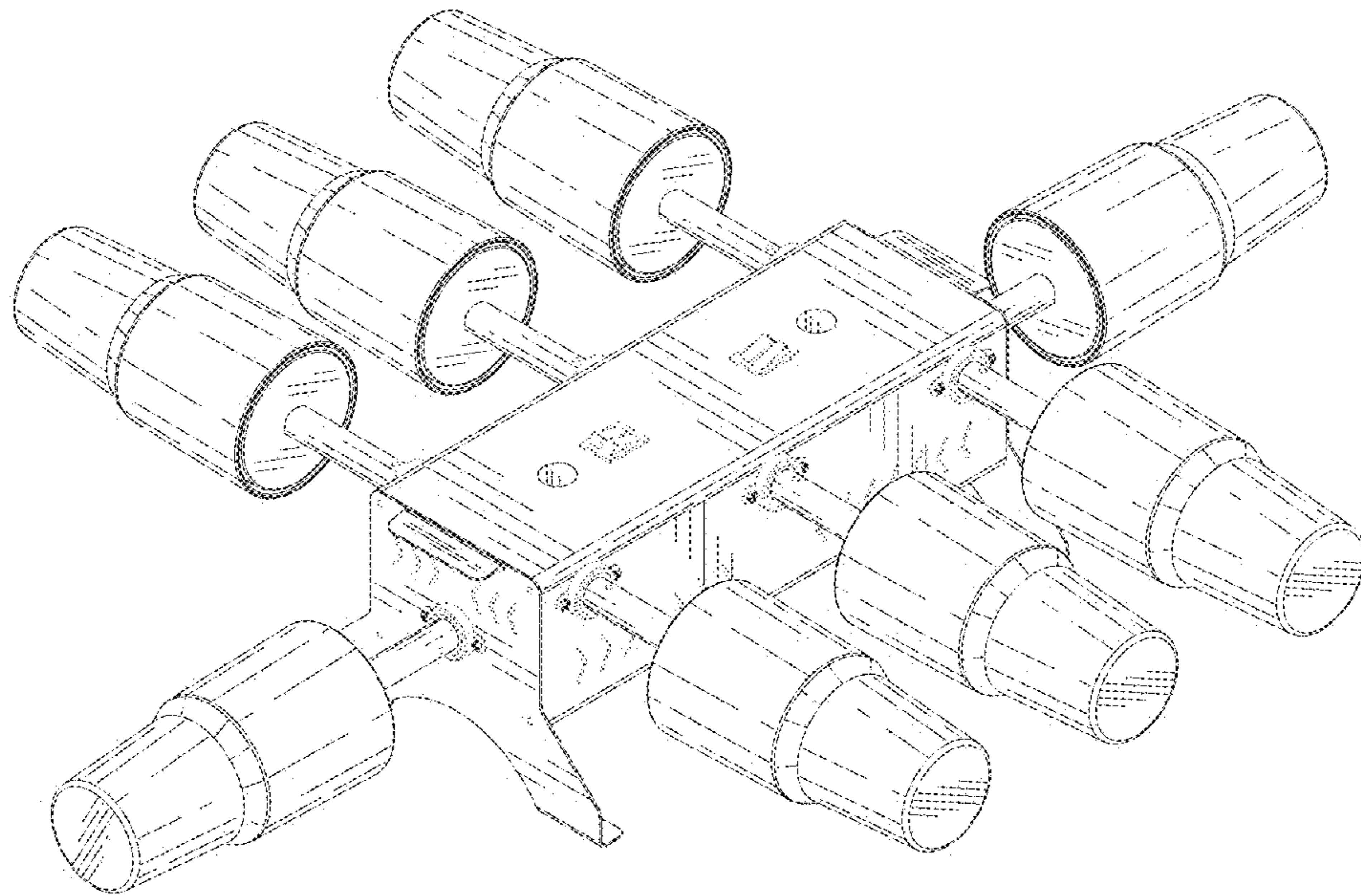


FIG. 1

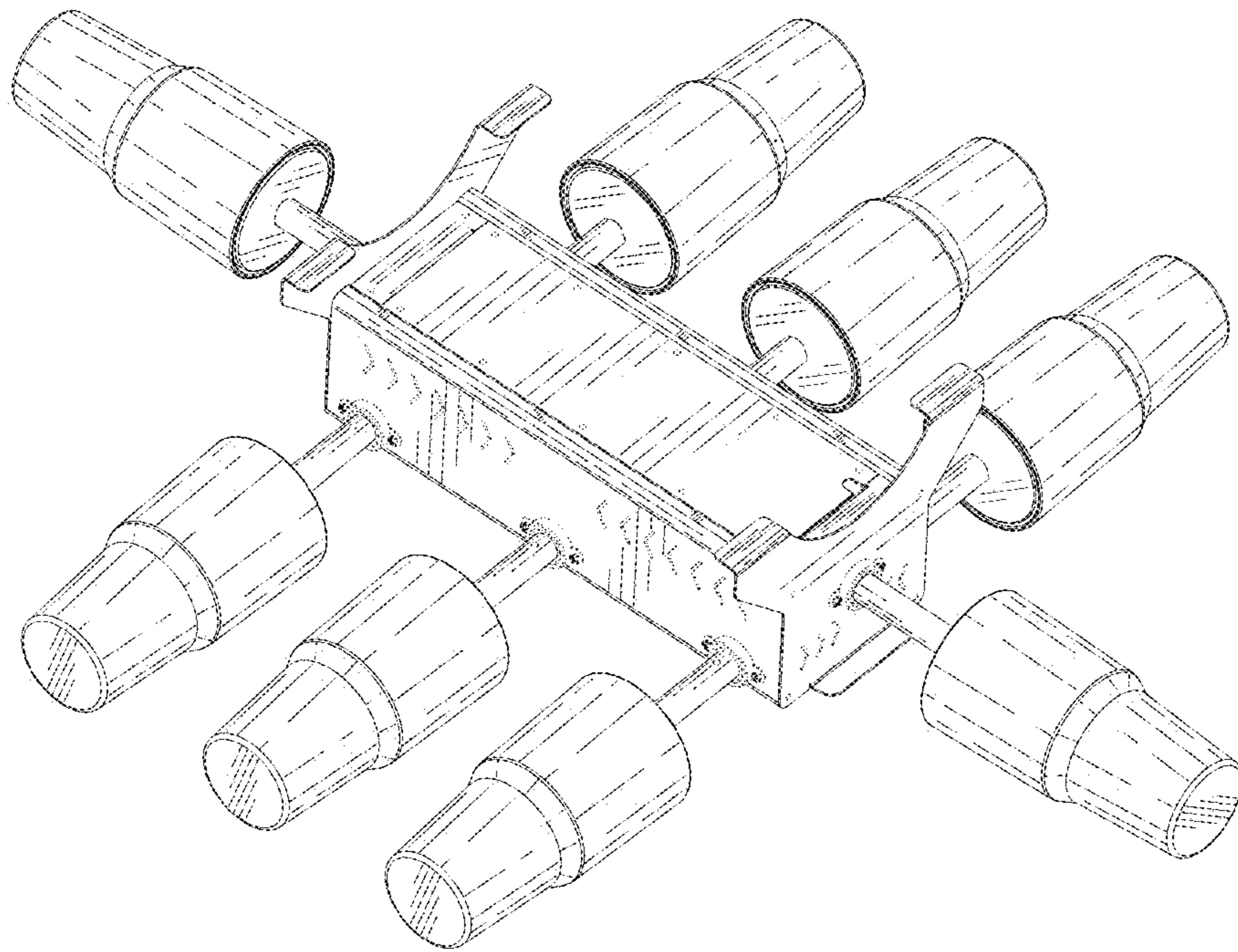


FIG.2

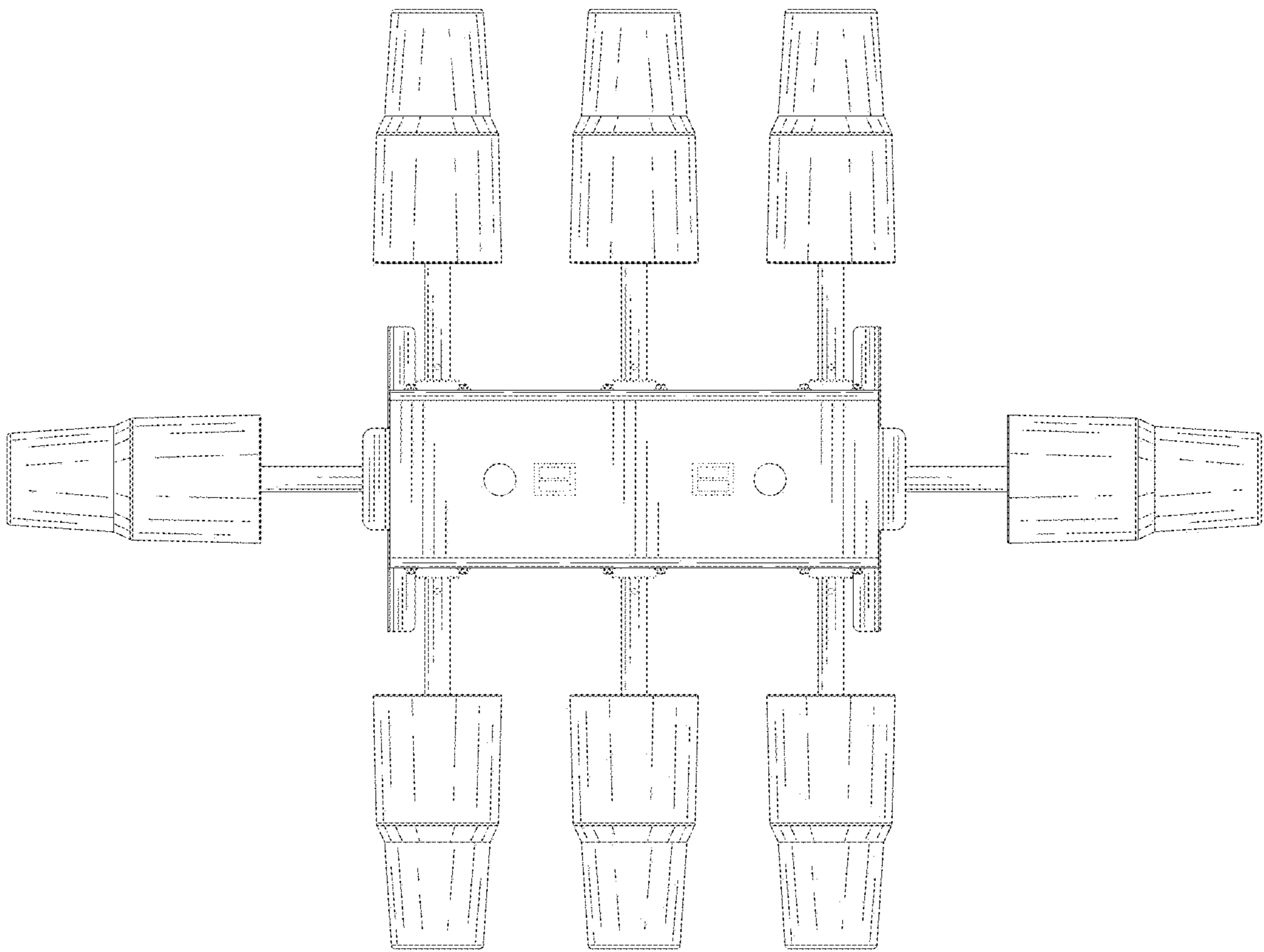


FIG.3

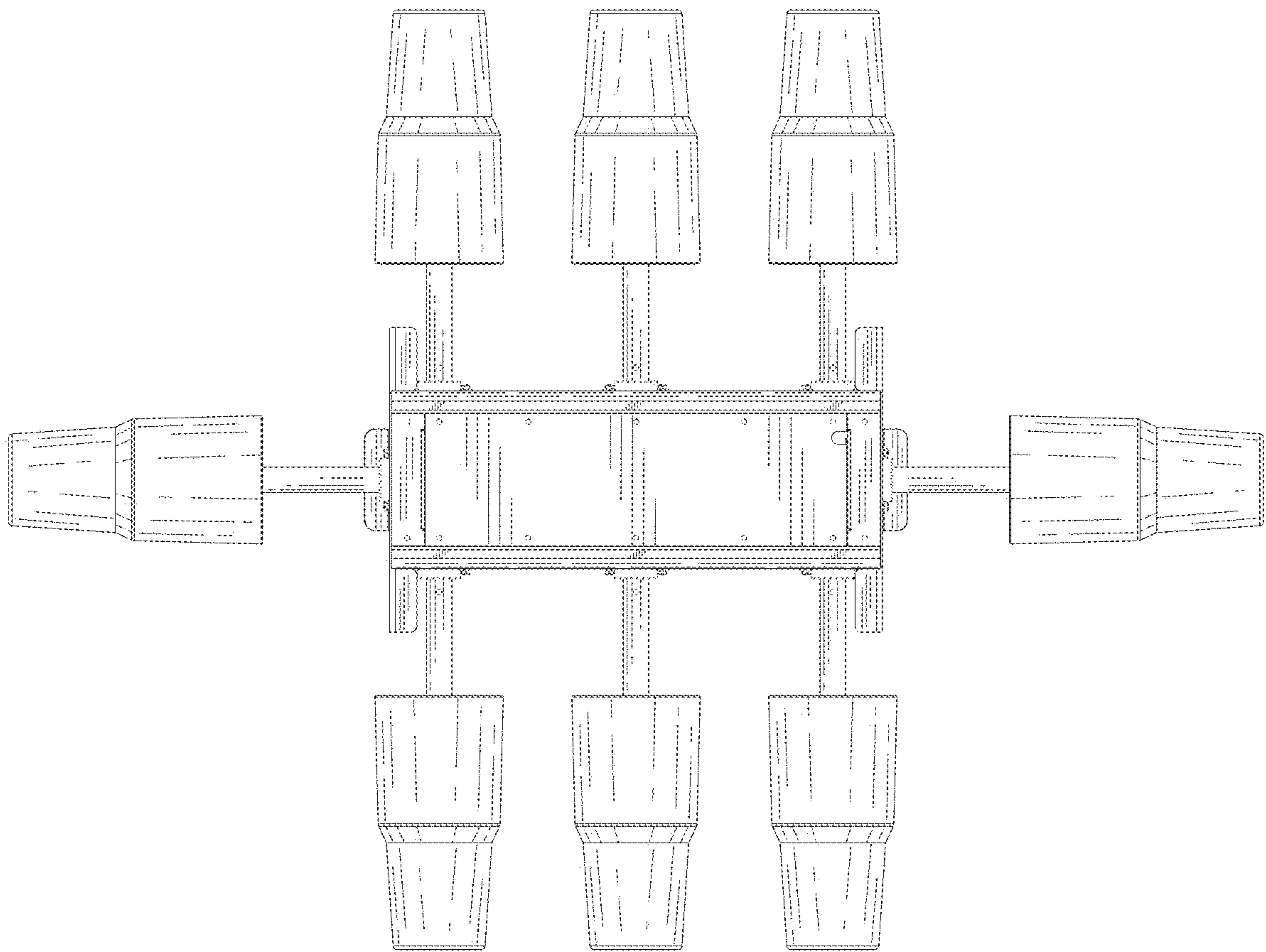


FIG.4

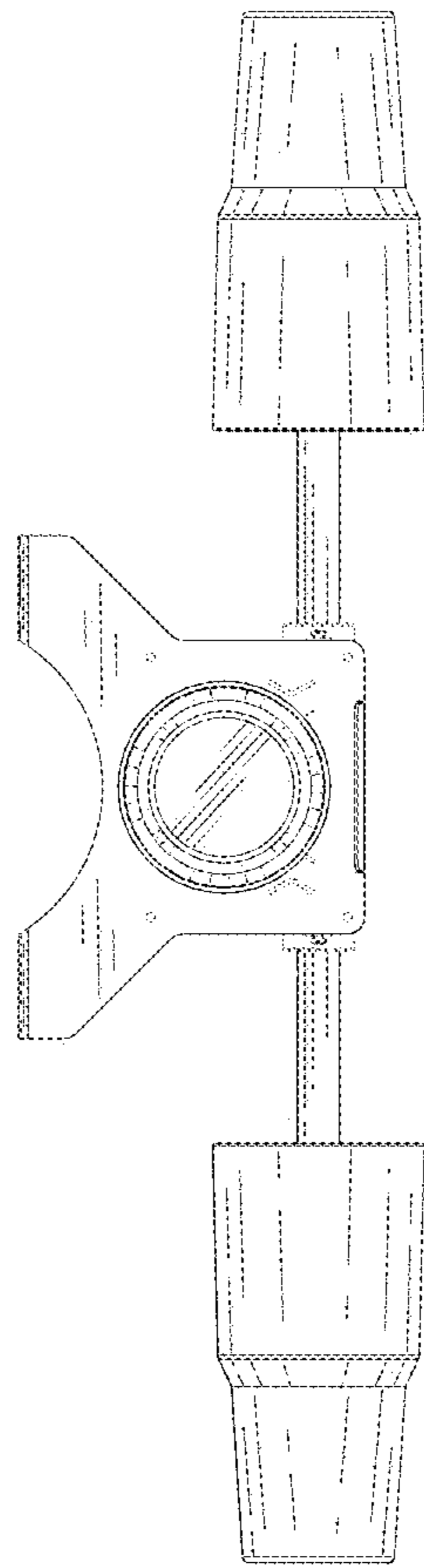


FIG.5

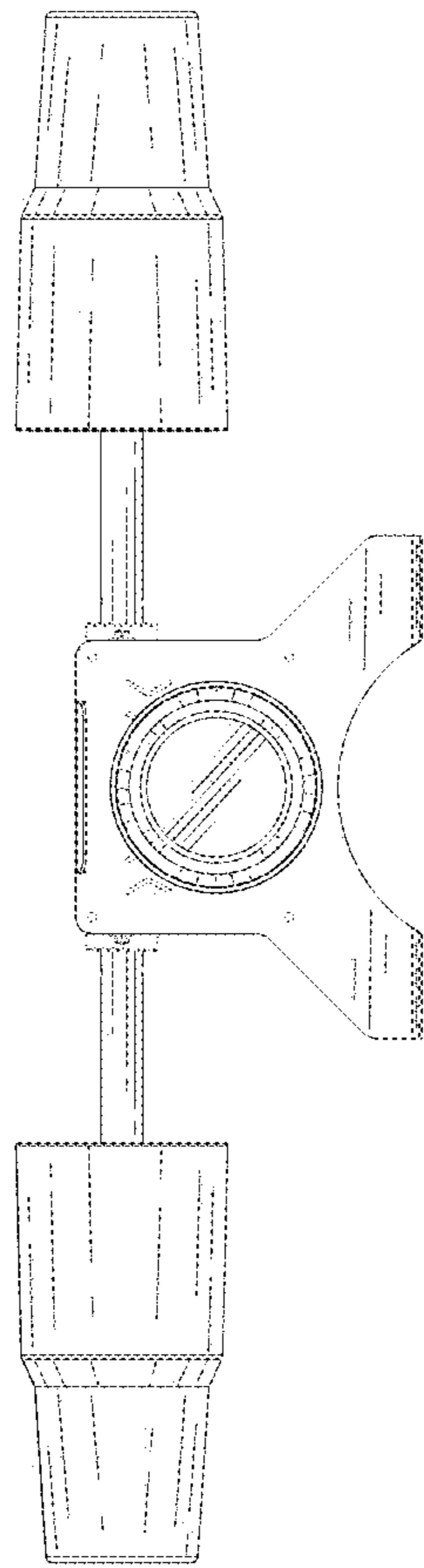


FIG.6

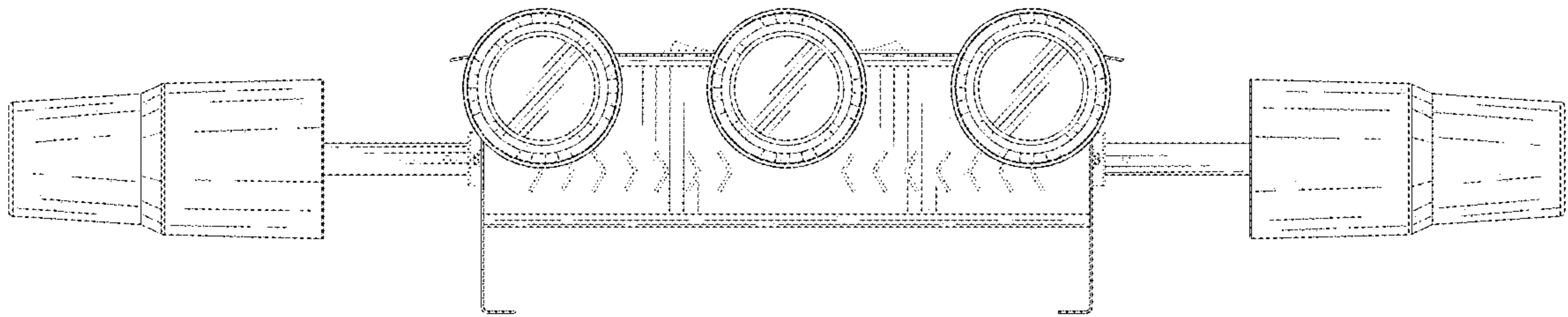


FIG.7

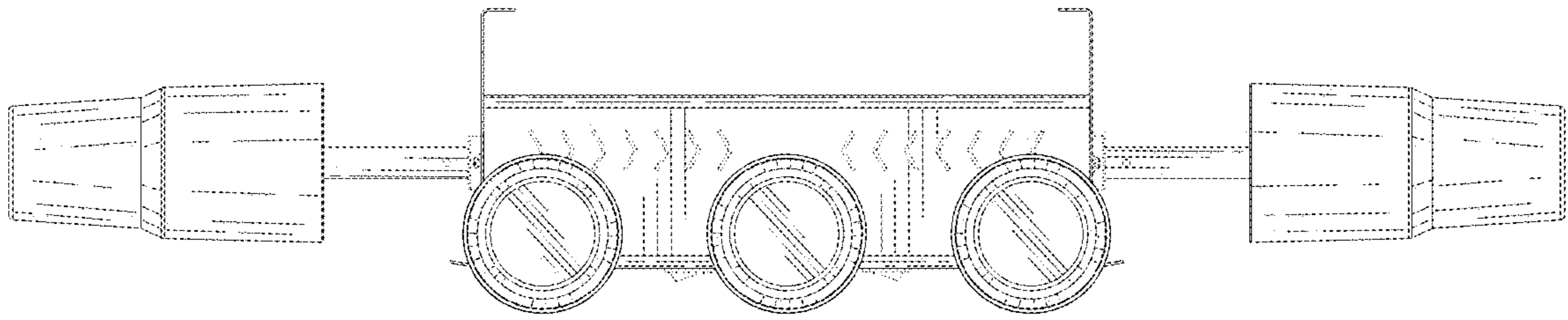


FIG.8