



US00D980881S

(12) **United States Design Patent**  
**Tinius et al.**

(10) **Patent No.:** **US D980,881 S**

(45) **Date of Patent:** **\*\* Mar. 14, 2023**

(54) **COOKING APPARATUS SOCKET PART**

(71) Applicant: **RATIONAL Aktiengesellschaft**,  
Landsberg am Lech (DE)

(72) Inventors: **Michael Tinius**, Ulm (DE); **Hannelore Diehl**, Bieberach (DE)

(73) Assignee: **RATIONAL Aktiengesellschaft**,  
Landsberg am Lech (DE)

(\*\*) Term: **15 Years**

(21) Appl. No.: **29/702,069**

(22) Filed: **Aug. 16, 2019**

(51) **LOC (14) Cl.** ..... **15-07**

(52) **U.S. Cl.**  
USPC ..... **D15/89**; D7/409

(58) **Field of Classification Search**  
USPC ..... D32/2; D23/372, 388; D7/339, 348,  
D7/349, 323, 328, 350.1, 350.3, 387, 403,  
D7/405, 406, 407, 408, 409; D15/89;  
D12/163, 181, 190  
CPC . B01D 39/12; A47J 37/00; A47J 37/06; A47J  
37/0611; A47J 37/08; A47J 37/0807;  
A01M 29/34; F25D 11/00  
See application file for complete search history.

(56) **References Cited**

U.S. PATENT DOCUMENTS

4,932,224	A *	6/1990	Katterhenry	.....	F25D 23/10 312/236
D334,201	S *	3/1993	Purkapile	.....	D15/89
D351,903	S *	10/1994	Whitley, II	.....	D25/48.1
D379,467	S *	5/1997	Martin	.....	D15/89
D439,914	S *	4/2001	Trulaske, Sr.	.....	D6/703.5
D518,836	S *	4/2006	Reese	.....	D15/89
D556,793	S *	12/2007	Braun	.....	D15/89
D571,828	S *	6/2008	Braun	.....	D15/89
D573,613	S *	7/2008	Braun	.....	D15/89
D586,617	S *	2/2009	Martin	.....	D7/405
D598,345	S *	8/2009	Juraschek	.....	D12/181
D621,654	S *	8/2010	Carlini	.....	D7/405

(Continued)

OTHER PUBLICATIONS

iCookingSuite: Announced [Feb. 10, 2021 (online)]. Site Visited [May 9, 2022]. Availalbe from Internet URL: <https://www.youtube.com/watch?v=7N6yaDMZBR4&t=2s>.\*

*Primary Examiner* — Catherine S Posthauer

(74) *Attorney, Agent, or Firm* — McNeese Wallace & Nurick LLC

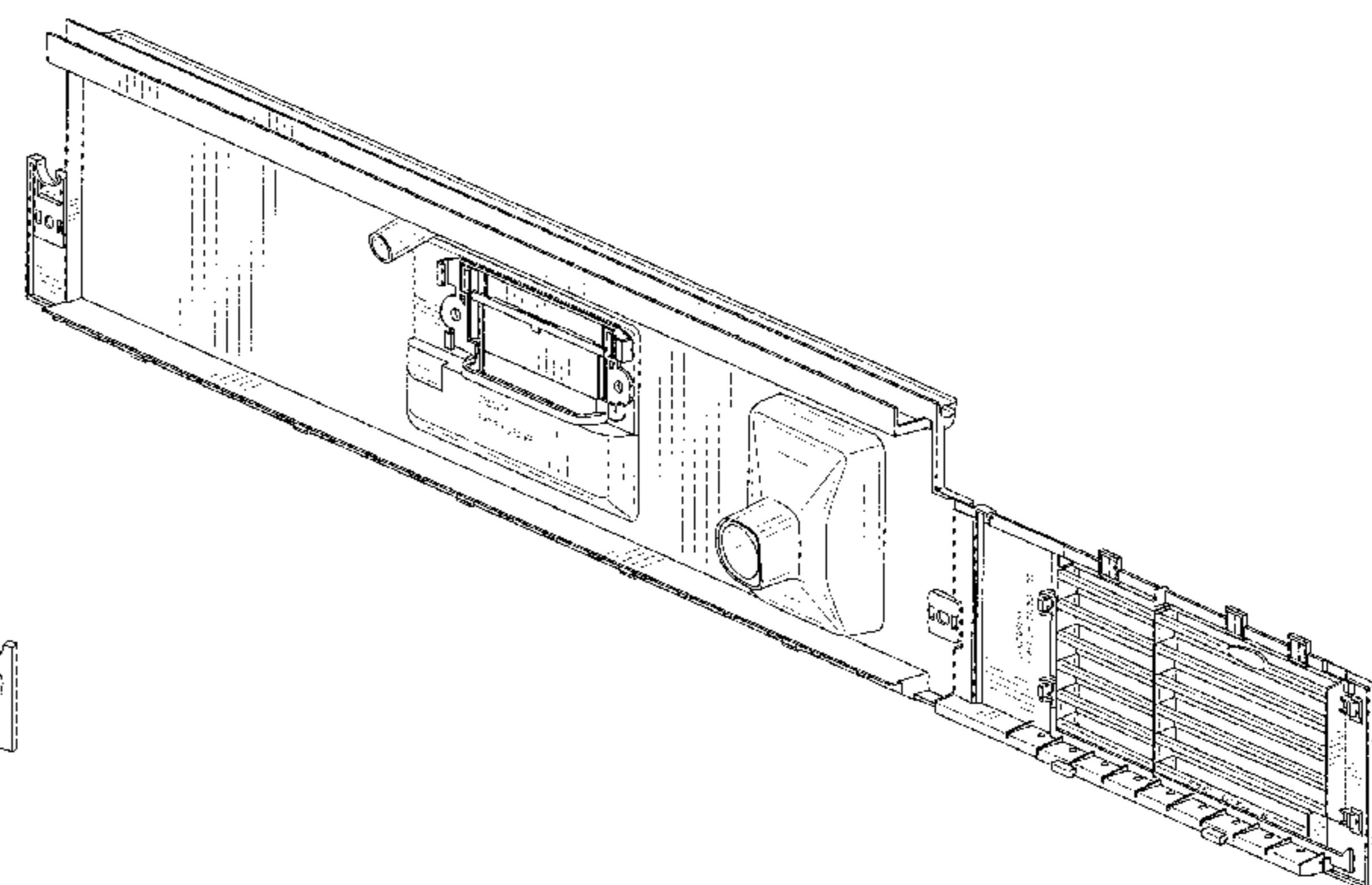
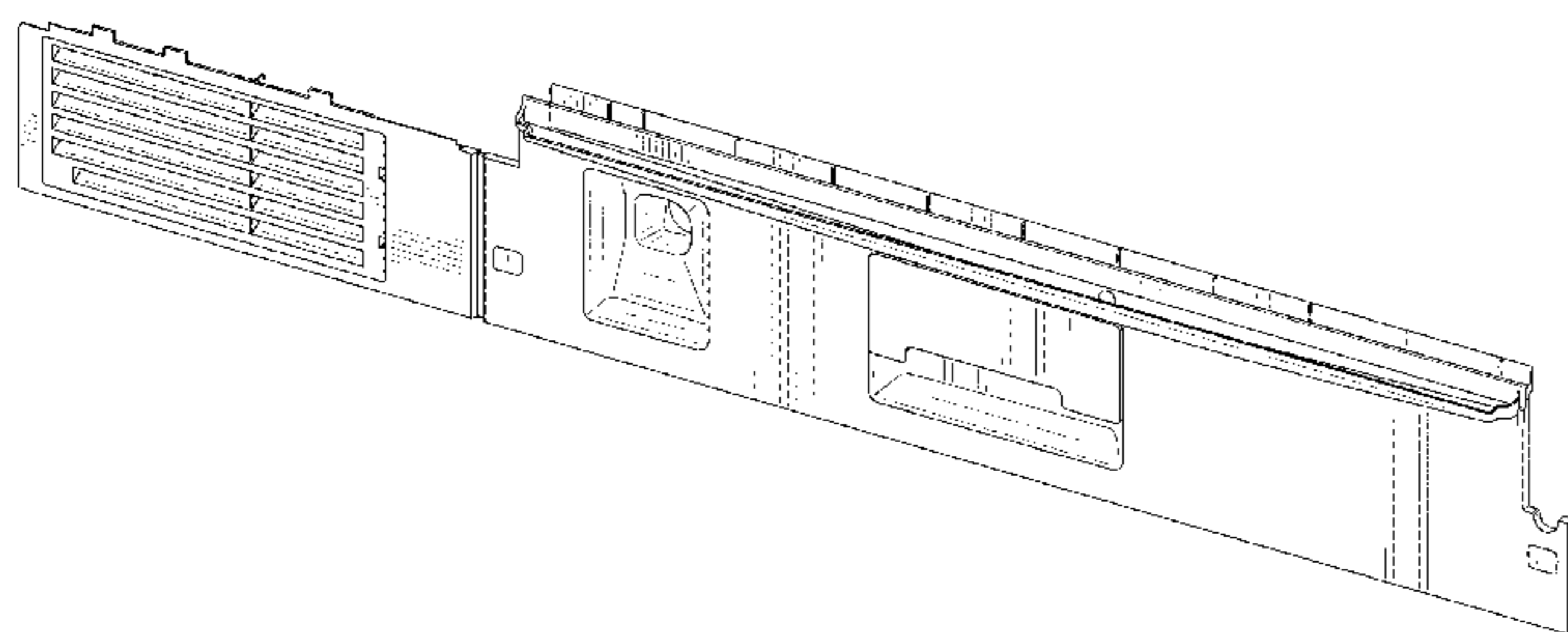
(57) **CLAIM**

The ornamental design for a cooking apparatus socket part, as shown and described.

**DESCRIPTION**

FIG. 1 is a top-front-right perspective view of a cooking apparatus socket part, showing the design;  
FIG. 2 is a bottom-front-left perspective view of the cooking apparatus socket part of FIG. 1;  
FIG. 3 is a top-rear-left perspective view of the cooking apparatus socket part of FIG. 1;  
FIG. 4 is a bottom-rear-right perspective view of the cooking apparatus socket part of FIG. 1;  
FIG. 5 is a rear view of the cooking apparatus socket part of FIG. 1;  
FIG. 6 is a left view of the cooking apparatus socket part of FIG. 1;  
FIG. 7 is a top view of the cooking apparatus socket part of FIG. 1;  
FIG. 8 is a right view of the cooking apparatus socket part of FIG. 1;  
FIG. 9 is a bottom view of the cooking apparatus socket part of FIG. 1; and,  
FIG. 10 is a front view of the cooking apparatus socket part of FIG. 1.  
The broken lines in the drawings illustrate environmental subject matter that forms no part of the claimed design.

**1 Claim, 10 Drawing Sheets**



(56)

**References Cited**

U.S. PATENT DOCUMENTS

D622,100 S *	8/2010	Carlini .....	D7/405
D773,880 S *	12/2016	McConnell .....	D7/339
D802,364 S *	11/2017	Khachatryan .....	D7/409
D808,716 S *	1/2018	Nilssen .....	D7/406
D823,185 S *	7/2018	Yates .....	D12/163
D841,528 S *	2/2019	Razaghi .....	D12/163
D842,174 S *	3/2019	Leong .....	D12/163
D847,040 S *	4/2019	Von Holzhausen .....	D12/163
D854,992 S *	7/2019	Pollard .....	D12/163
D874,866 S *	2/2020	Carcano .....	D7/348
D892,534 S *	8/2020	Fuller .....	D7/339

\* cited by examiner

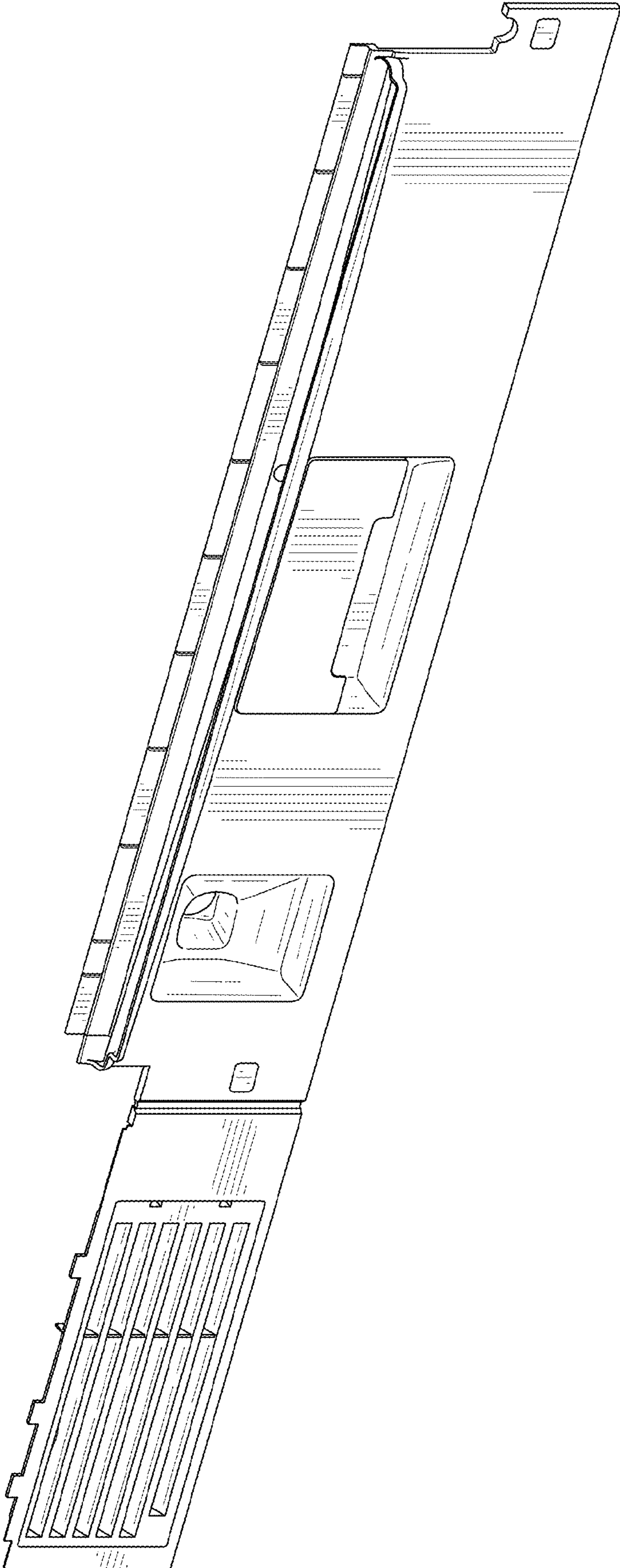


FIG. 1

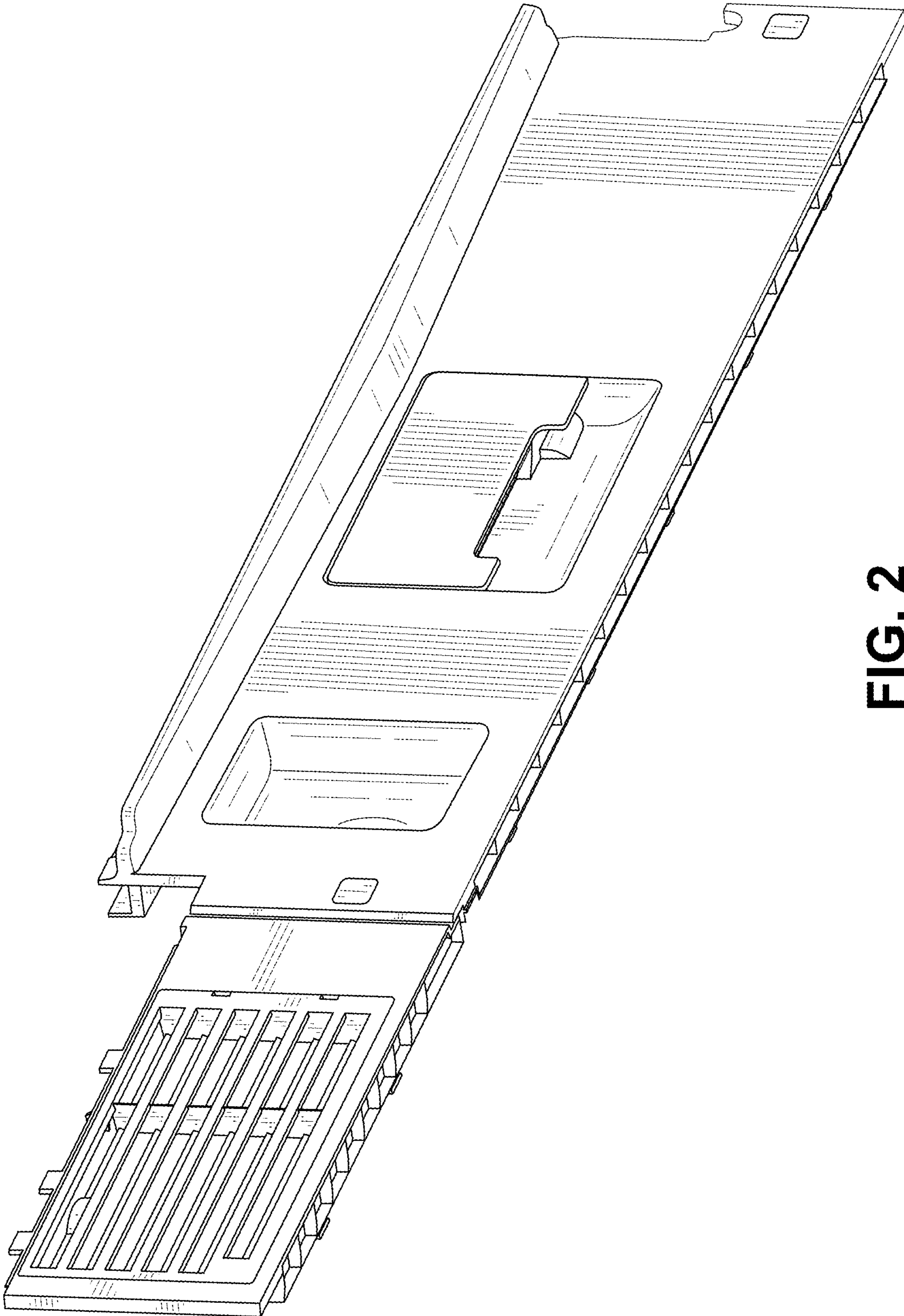


FIG. 2

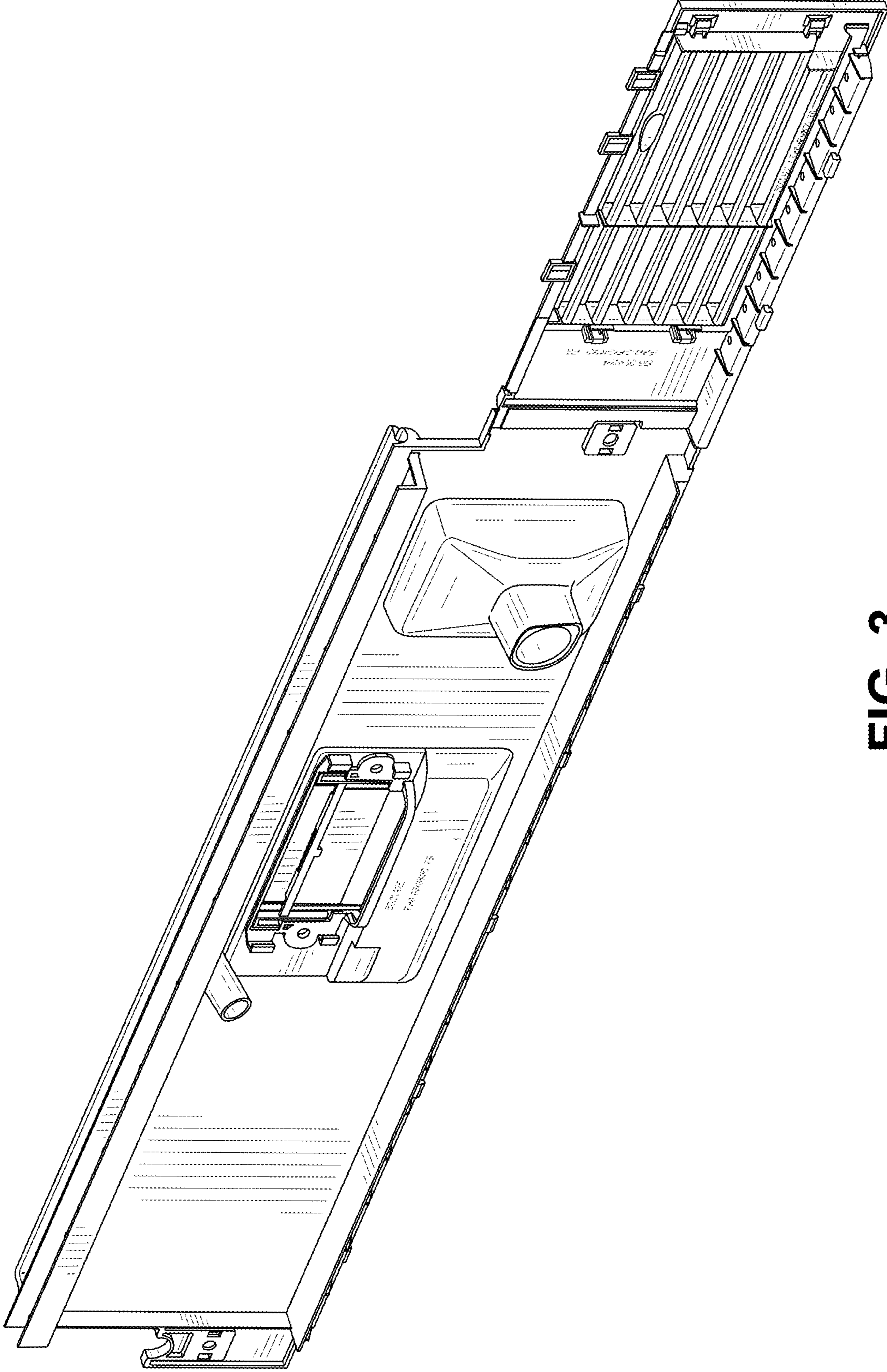


FIG. 3

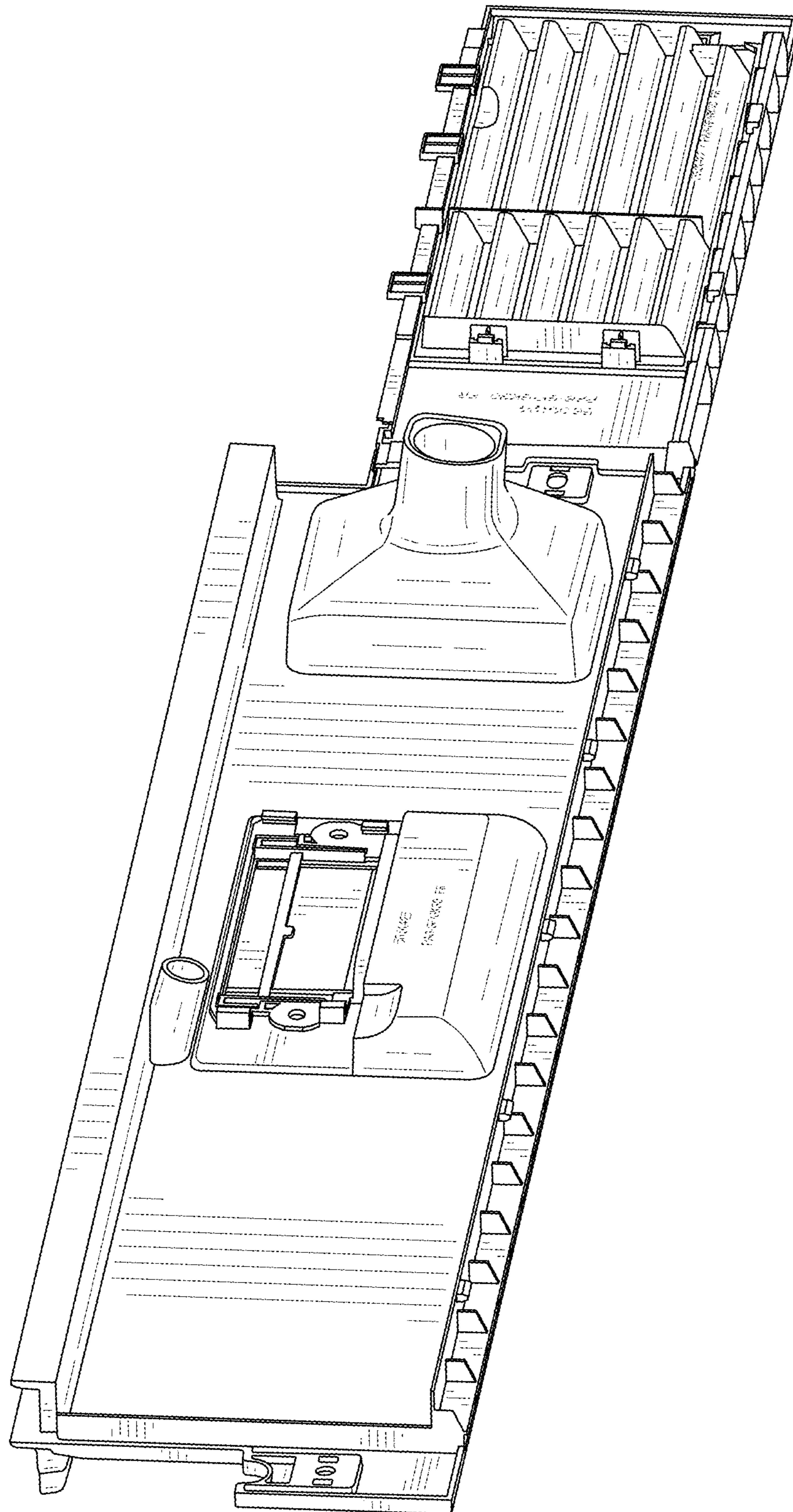


FIG. 4

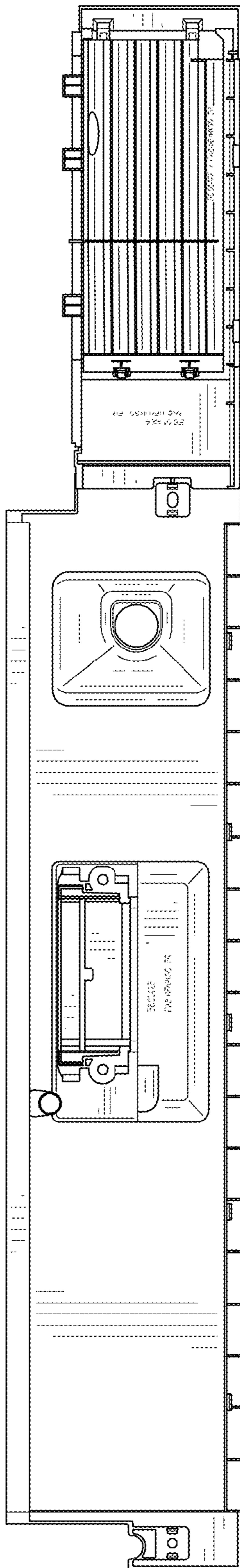


FIG. 5

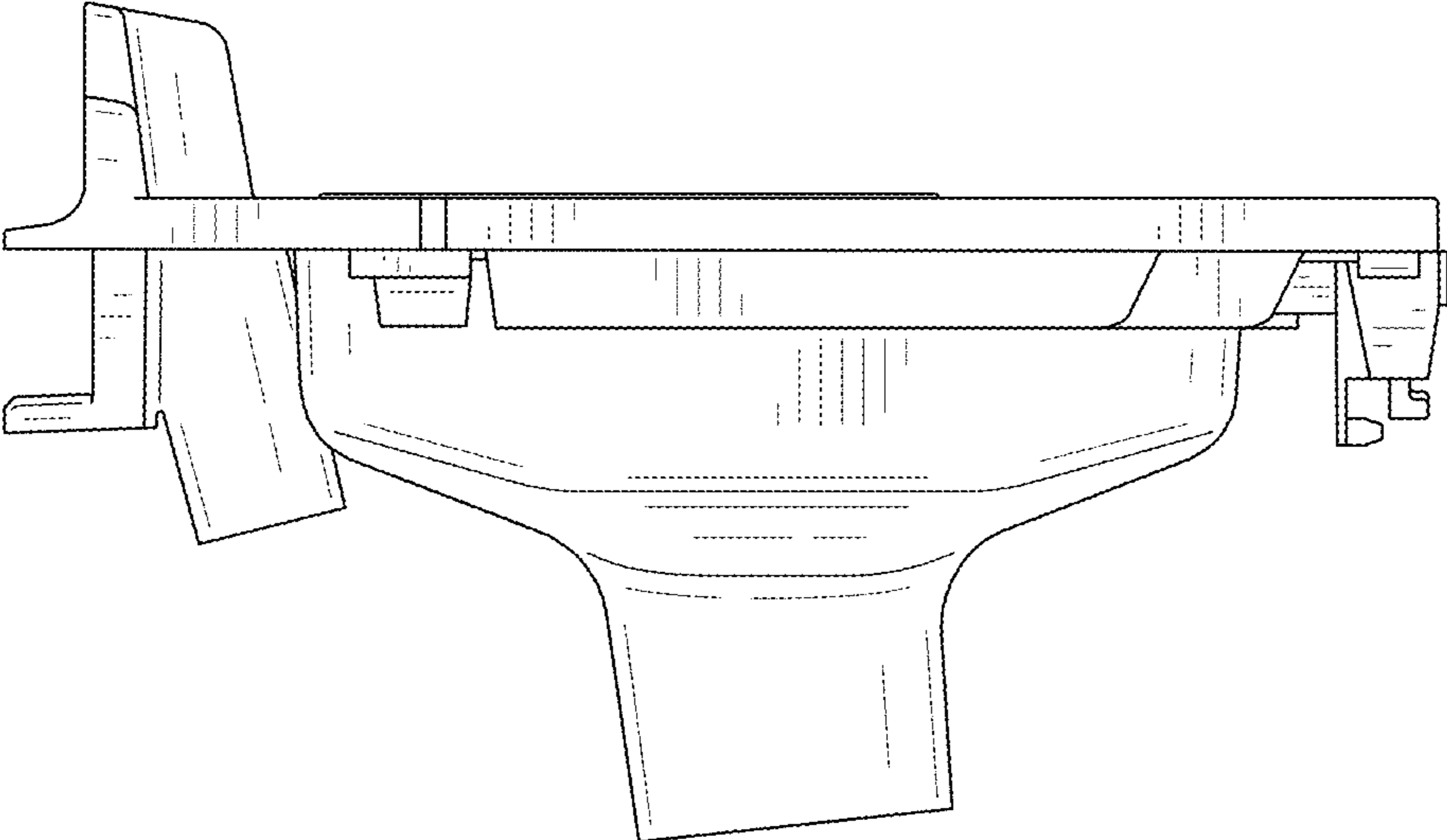
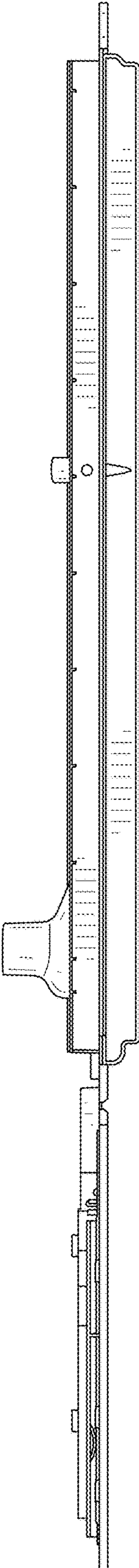


FIG. 6





**FIG. 7**

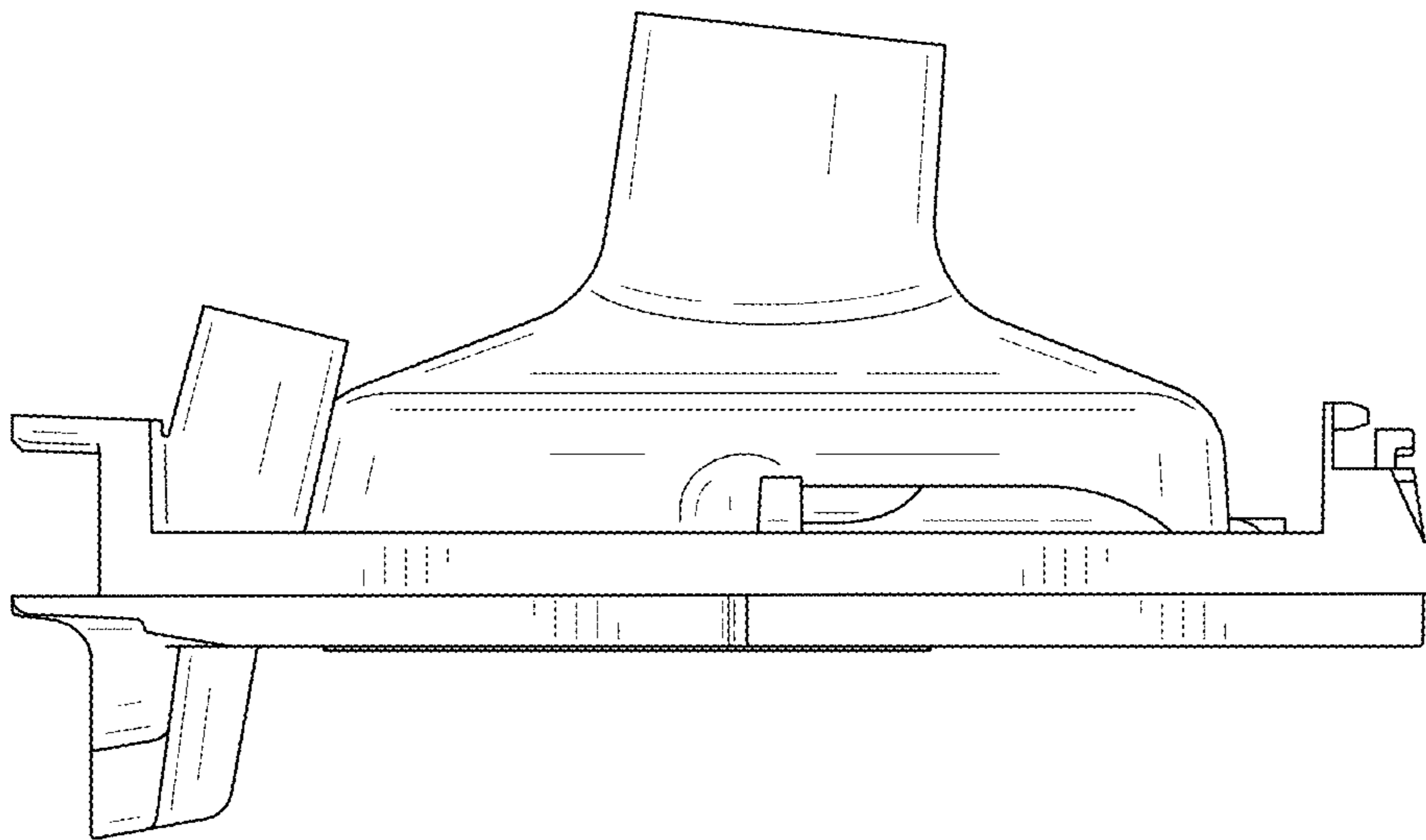


FIG. 8

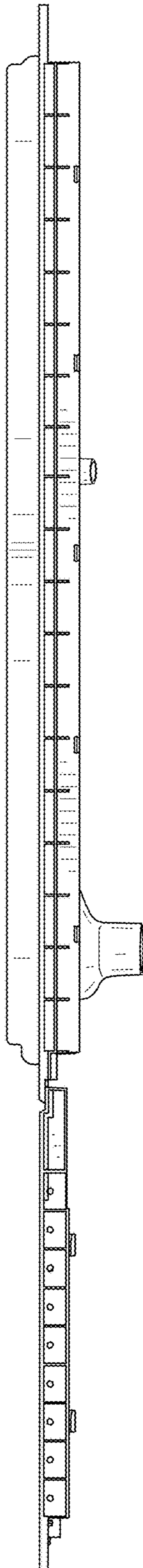


FIG. 9

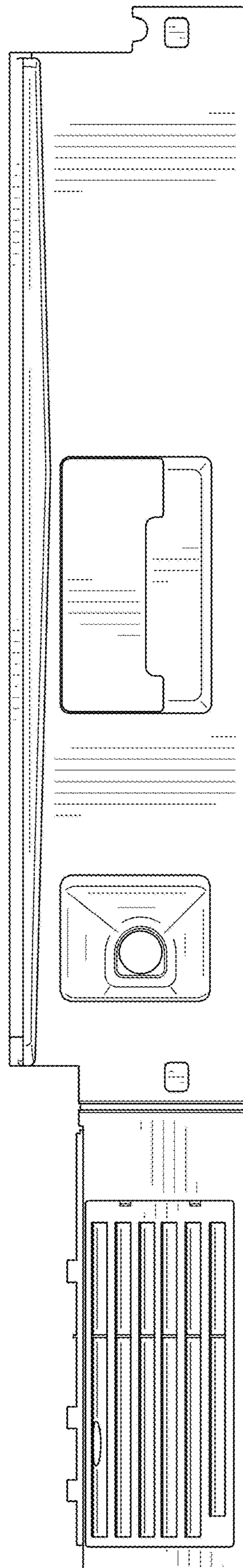


FIG. 10