



US00D980880S

(12) **United States Design Patent**
Marchetta et al.

(10) **Patent No.:** **US D980,880 S**
(45) **Date of Patent:** **** Mar. 14, 2023**

(54) **EXCAVATOR CAB**

(71) Applicant: **GROUPE MECALAC**, Annecy (FR)

(72) Inventors: **Alexandre Marchetta**, Veyrier du Lac (FR); **Patrick Brehmer**, Annecy (FR)

(**) Term: **15 Years**

(21) Appl. No.: **35/513,747**

(22) Filed: **Oct. 28, 2021**

(80) **Hague Agreement Data**

Int. Filing Date: **Oct. 28, 2021**

Int. Reg. No.: **DM/219154**

Int. Reg. Date: **Oct. 28, 2021**

Int. Reg. Pub. Date: **Mar. 4, 2022**

(51) **LOC (14) Cl.** **15-03**

(52) **U.S. Cl.**
USPC **D15/30**

(58) **Field of Classification Search**
USPC D15/28, 30, 31, 22-26; D34/37
CPC .. B66C 13/54; E02F 9/16; E02F 9/163; E02F 9/06; B62D 33/0617; B62D 49/00-085; B62D 33/06-073; B60J 7/00; B60J 1/004; B60J 1/02; B60J 1/04; B60J 5/0487
See application file for complete search history.

(56) **References Cited**

U.S. PATENT DOCUMENTS

D432,144 S	*	10/2000	Kraft	D15/30
D481,044 S	*	10/2003	Tokach	D15/30
D494,986 S	*	8/2004	Tokach	D15/30
D497,920 S	*	11/2004	Antonetti	D15/30
D523,875 S	*	6/2006	Kim	D15/30
D563,437 S	*	3/2008	Imashige	D15/24
D607,905 S	*	1/2010	Reisenauer	D15/33
D637,630 S	*	5/2011	Yamamoto	D15/30
D642,205 S	*	7/2011	Yamamoto	D15/30
D660,881 S	*	5/2012	Bohme	D15/30

D671,566 S	*	11/2012	Fang	D15/30
D707,728 S	*	6/2014	Imashige	D15/30
D830,422 S	*	10/2018	Colclough	D15/24
D866,616 S	*	11/2019	Jilbert	D15/30
D874,524 S	*	2/2020	Iwata	D15/30
D877,782 S	*	3/2020	Jilbert	D15/30
D896,852 S	*	9/2020	Major	D15/33
D901,553 S	*	11/2020	Major	D15/30
D921,060 S	*	6/2021	Römer	D15/30
D926,827 S	*	8/2021	Behn	D15/30
D928,850 S	*	8/2021	Keen	D15/30
D929,470 S	*	8/2021	Römer	D15/30
D936,113 S	*	11/2021	Hemry	D15/30
D936,114 S	*	11/2021	Hagner	D15/30
D943,010 S	*	2/2022	Das	D15/30

* cited by examiner

Primary Examiner — Mark A Goodwin

(57) **CLAIM**

The ornamental design for an excavator cab, as shown and described.

DESCRIPTION

The patent or application file contains at least one drawing executed in color. Copies of this patent or patent application publication with color drawing(s) will be provided by the Office upon request and payment of the necessary fee.

Reproduction 1.1 is a top right rear perspective view of an excavator cab.

Reproduction 1.2 is a top left front perspective view of an excavator cab.

Reproduction 1.3 is a rear view of an excavator cab.

Reproduction 1.4 is a top front right perspective view of an excavator cab shown in use condition mounted to an excavator which forms no part of the claimed design.

Reproduction 1.5 is a front view of an excavator cab.

Reproduction 1.6 is a right side view of an excavator cab.

The lightly shaded gray and color areas shown in reproduction 1.4 form no part of the claimed design.

1 Claim, 6 Drawing Sheets
(6 of 6 Drawing Sheet(s) Filed in Color)



1.1



1.2



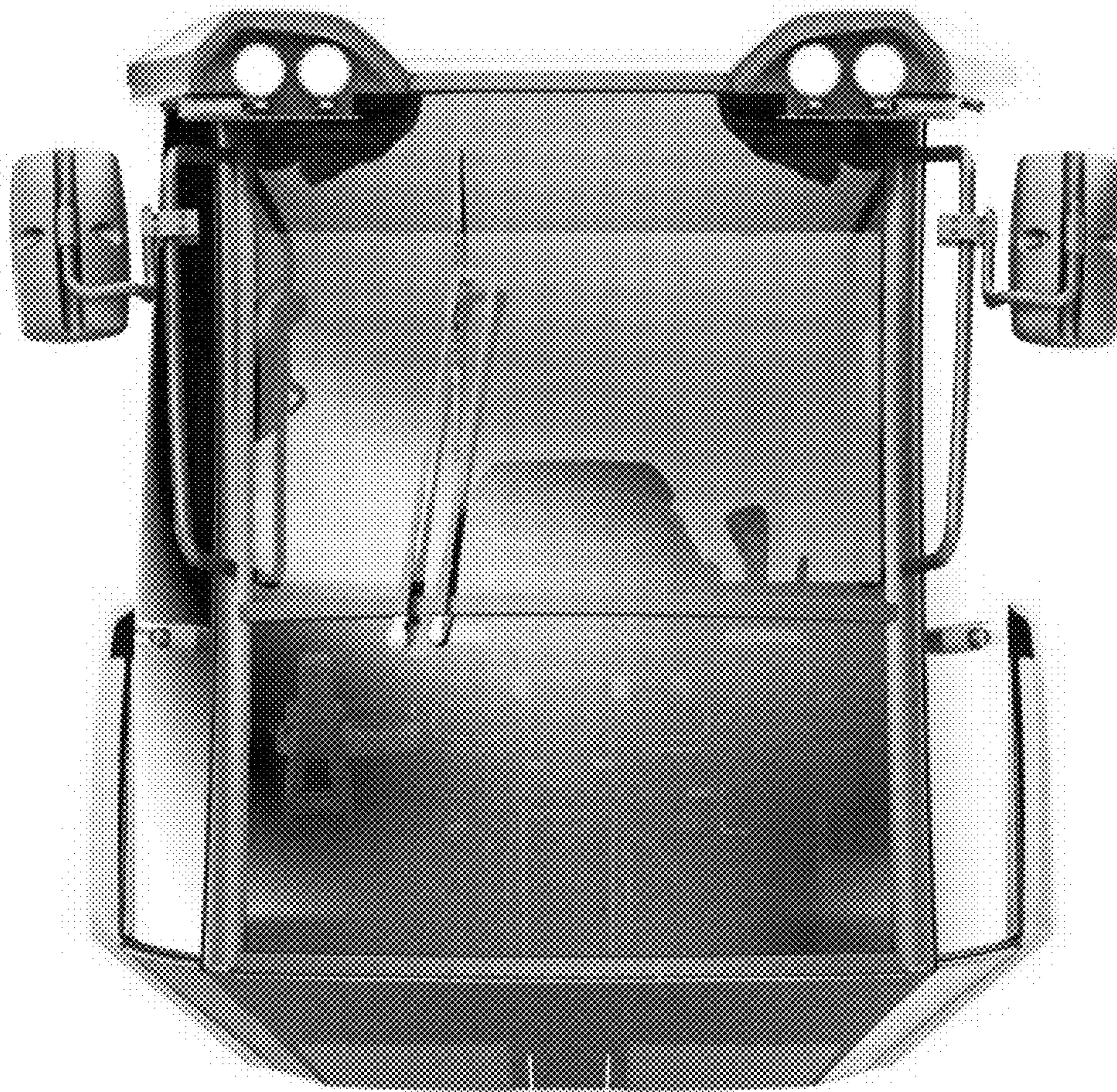
1.3



1.4



1.5



1.6

