



US00D980876S

(12) **United States Design Patent**
Smith et al.

(10) **Patent No.: US D980,876 S**

(45) **Date of Patent: ** *Mar. 14, 2023**

(54) **FLUID END FOR A PUMPING SYSTEM**

- (71) Applicant: **Vulcan Industrial Holdings, LLC**,
Houston, TX (US)
- (72) Inventors: **Jason David Smith**, Porter, TX (US);
Chance Ray Mullins, Spring, TX (US)
- (73) Assignee: **Vulcan Industrial Holdings, LLC**,
Houston, TX (US)
- (*) Notice: This patent is subject to a terminal disclaimer.

(**) Term: **15 Years**

(21) Appl. No.: **29/747,360**

(22) Filed: **Aug. 21, 2020**

(51) **LOC (14) Cl.** **15-04**

(52) **U.S. Cl.**
USPC **D15/21; D15/7**

(58) **Field of Classification Search**
 USPC D15/5, 21, 122; D23/233, 237, 245, 259,
 D23/269, 235; D10/121; D12/218
 CPC ... B29C 44/1271; B29C 44/086; B60T 17/04;
 F16H 61/30; F16H 61/0267; F15B
 13/0817; F15B 13/0821; F15B 13/0839;
 F15B 13/0896; F16K 27/003; F16K
 37/00; F04B 47/00; F04B 41/06; F04B
 39/12;

(Continued)

(56) **References Cited**

U.S. PATENT DOCUMENTS

- 1,576,269 A 3/1926 Durant
- 1,595,459 A 8/1926 Durant

(Continued)

FOREIGN PATENT DOCUMENTS

- CN 201149099 11/2008
- CN 102748483 10/2012

(Continued)

OTHER PUBLICATIONS

Covert Manufacturing, Inc., "Fluid End Block: Covert Manufacturing", (site visited Jul. 30, 2021), covertmfg.com, URL:<http://www.covertmfg.com/our-capabilities/fluid-end-block/> (Year: 2021).*

(Continued)

Primary Examiner — Calvin E Vansant

Assistant Examiner — Mark T. Philipps

(74) *Attorney, Agent, or Firm* — Womble Bond Dickinson (US) LLP

(57) **CLAIM**

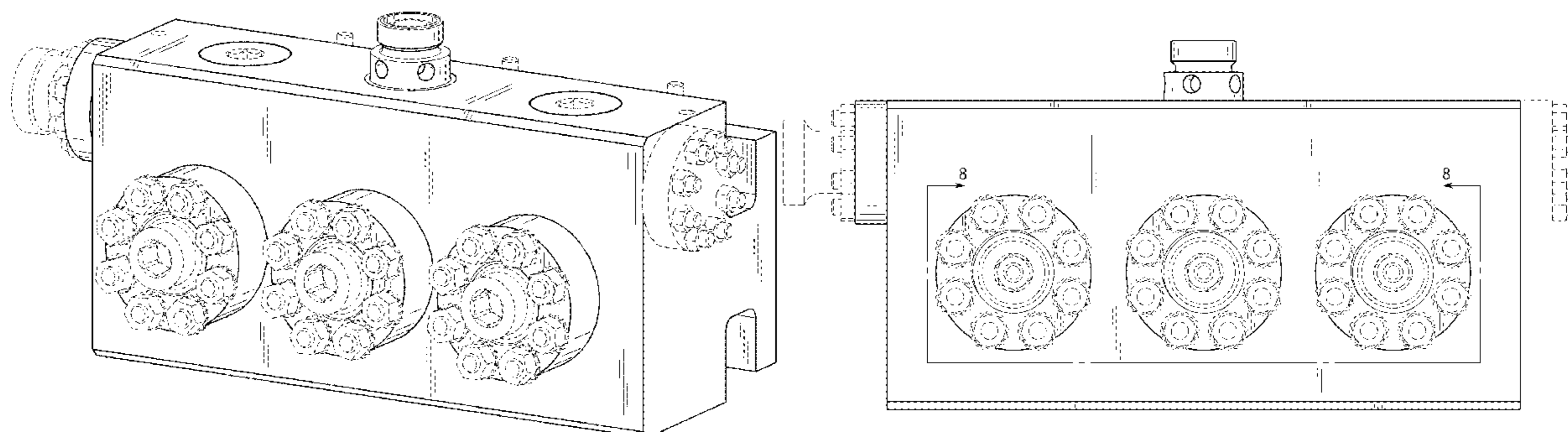
The ornamental design for a fluid end for a pumping system, substantially as shown and described.

DESCRIPTION

FIG. 1 is a perspective view of a fluid end;
 FIG. 2 is a front view of the fluid end;
 FIG. 3 is a back view of the fluid end;
 FIG. 4 is a right side view of the fluid end;
 FIG. 5 is a left side view of the fluid end;
 FIG. 6 is a top view of the fluid end;
 FIG. 7 is a bottom view of the fluid end;
 FIG. 8 is an enlarged view taken along line 8-8 from FIG. 2;
 FIG. 9 is an enlarged view taken along line 9-9 from FIG. 6; and,
 FIG. 10 is an enlarged view taken along line 10-10 from FIG. 7.

The broken lines in the drawings depict portions of the fluid end for a pumping system and form no part of the claimed design. The long dash dot broken lines in FIGS. 2, 6 and 7 are provided to define the field of enlargement on FIGS. 7-10, the short dash dot broken lines on FIGS. 7-10 define the bounds of those enlarged regions and form no part of the claimed design.

1 Claim, 10 Drawing Sheets



US D980,876 S

(58) **Field of Classification Search**
 CPC F04B 35/00; F04B 53/10; F04B 53/02;
 E21B 44/06
 See application file for complete search history.

(56) **References Cited**

U.S. PATENT DOCUMENTS

1,671,139	A	5/1928	Wilson	5,273,570	A	12/1993	Sato
1,873,318	A	8/1932	Eason	5,314,659	A	5/1994	Hidaka
1,914,737	A	6/1933	Elms	5,478,048	A	12/1995	Salesky
1,948,628	A	2/1934	Penick	5,533,245	A	7/1996	Stanton
1,963,684	A	6/1934	Shimer	5,540,570	A	7/1996	Schuller
1,963,685	A	6/1934	Shimer	5,626,345	A	5/1997	Wallace
2,011,547	A	8/1935	Campbell	5,636,688	A	6/1997	Bassinger
2,069,443	A	2/1937	Hill	5,674,449	A	10/1997	Liang
2,103,504	A	12/1937	White	5,834,664	A	11/1998	Aonuma
2,143,399	A	1/1939	Abercrombie	5,859,376	A	1/1999	Ishibashi
2,304,991	A	12/1942	Foster	5,895,517	A	4/1999	Kawamura
2,506,128	A	5/1950	Ashton	5,949,003	A	9/1999	Aoki
2,547,831	A	4/1951	Mueller	6,139,599	A	10/2000	Takahashi
2,713,522	A	7/1955	Lorenz	6,200,688	B1	3/2001	Liang
2,719,737	A	10/1955	Fletcher	6,328,312	B1	12/2001	Schmitz
2,745,631	A	5/1956	Shellman	6,340,377	B1	1/2002	Kawata
2,756,960	A	7/1956	Church	6,382,940	B1	5/2002	Blume
2,898,082	A	8/1959	Almen	6,436,338	B1	8/2002	Qiao
2,969,951	A	1/1961	Walton	6,460,620	B1	10/2002	LaFleur
2,982,515	A	5/1961	Clinton	6,464,749	B1	10/2002	Kawase
2,983,281	A	5/1961	Bynum	6,482,275	B1	11/2002	Qiao
3,049,082	A	8/1962	Barry	6,485,678	B1	11/2002	Liang
3,053,500	A	9/1962	Atkinson	6,544,012	B1	4/2003	Blume
3,063,467	A	11/1962	Roberts, Jr.	6,623,259	B1	9/2003	Blume
3,224,817	A	12/1965	Carter	6,641,112	B2	11/2003	Antoff
3,276,390	A	10/1966	Bloudoff	6,695,007	B2	2/2004	Vicars
3,288,475	A	11/1966	Benoit	6,702,905	B1	3/2004	Qiao
3,459,363	A	8/1969	Miller	6,880,802	B2	4/2005	Hara
3,474,808	A	10/1969	Elliott	6,910,871	B1	6/2005	Blume
3,483,885	A	12/1969	Leathers	6,916,444	B1	7/2005	Liang
3,489,098	A	1/1970	Roth	6,951,165	B2	10/2005	Kuhn
3,489,170	A	1/1970	Leman	6,951,579	B2	10/2005	Koyama
3,512,787	A	5/1970	Kennedy	6,955,181	B1	10/2005	Blume
3,809,508	A	5/1974	Uchiyama	6,959,916	B2	11/2005	Chigasaki
3,907,307	A	9/1975	Maurer	7,000,632	B2	2/2006	McIntire
3,931,755	A	1/1976	Hatridge	7,036,824	B2	5/2006	Kunz
4,044,834	A	8/1977	Perkins	7,144,440	B2	12/2006	Ando
4,076,212	A	2/1978	Leman	7,168,440	B1	1/2007	Blume
4,184,814	A	1/1980	Parker	7,186,097	B1	3/2007	Blume
4,219,204	A	8/1980	Pippert	7,222,837	B1	5/2007	Blume
4,277,229	A	7/1981	Pacht	7,290,560	B2	11/2007	On-
4,331,741	A	5/1982	Wilson	7,296,591	B2	11/2007	Moe
4,395,050	A	7/1983	Wirz	7,335,002	B2	2/2008	Vicars
4,398,731	A	8/1983	Gorman	7,341,435	B2	3/2008	Vicars
4,440,404	A	4/1984	Roach	7,506,574	B2	3/2009	Jensen
4,508,133	A	4/1985	Hamid	7,513,483	B1	4/2009	Blume
4,518,359	A	5/1985	Yao-Psong	7,513,759	B1	4/2009	Blume
4,527,806	A	7/1985	Ungchusri	7,611,590	B2	11/2009	Liang
4,662,392	A	5/1987	Vadasz	7,681,589	B2	3/2010	Schwegman
4,754,950	A	7/1988	Tada	7,682,471	B2	3/2010	Levin
4,763,876	A	8/1988	Oda	7,726,026	B1	6/2010	Blume
4,770,206	A	9/1988	Sjoberg	7,754,142	B2	7/2010	Liang
4,807,890	A	2/1989	Gorman	7,754,143	B2	7/2010	Qiao
4,811,758	A	3/1989	Piper	7,757,396	B2	7/2010	Sawada
4,861,241	A	8/1989	Gamboa	7,789,133	B2	9/2010	McGuire
4,919,719	A	4/1990	Abe	7,793,913	B2	9/2010	Hara
4,951,707	A	8/1990	Johnson	7,828,053	B2	11/2010	McGuire
5,020,490	A	6/1991	Seko	7,845,413	B2	12/2010	Shampine
5,052,435	A	10/1991	Crudup	7,861,738	B2	1/2011	Erbes
5,061,159	A	10/1991	Pryor	7,866,346	B1	1/2011	Walters
5,062,450	A	11/1991	Bailey	7,891,374	B2	2/2011	Vicars
5,080,713	A	1/1992	Ishibashi	7,954,510	B2	6/2011	Schwegman
5,088,521	A	2/1992	Johnson	7,992,635	B2	8/2011	Cherewyk
5,127,807	A	7/1992	Eslinger	8,069,923	B2	12/2011	Blanco
5,131,666	A	7/1992	Hutchens	8,075,661	B2	12/2011	Chen
5,149,107	A	9/1992	Maringer	8,083,506	B2	12/2011	Maki
5,209,495	A	5/1993	Palmour	8,100,407	B2	1/2012	Stanton
5,249,600	A	10/1993	Blume	8,141,849	B1	3/2012	Blume
5,267,736	A	12/1993	Pietsch	8,181,970	B2	5/2012	Smith
				8,261,771	B2	9/2012	Witkowski
				8,287,256	B2	10/2012	Shafer
				8,291,927	B2	10/2012	Johnson
				8,317,498	B2	11/2012	Gambier
				8,375,980	B2	2/2013	Higashiyama
				8,376,723	B2	2/2013	Kugelev
				8,402,880	B2	3/2013	Patel
				8,430,075	B2	4/2013	Qiao
				D687,125	S *	7/2013	Hawes D23/233
				8,479,700	B2	7/2013	Qiao

(56)

References Cited

U.S. PATENT DOCUMENTS

8,528,585	B2	9/2013	McGuire	10,215,172	B2	2/2019	Wood
8,534,691	B2	9/2013	Schaffer	10,221,848	B2	3/2019	Bayyok
8,613,886	B2	12/2013	Qiao	10,240,594	B2	3/2019	Bamhouse, Jr.
8,662,864	B2	3/2014	Bayyok	10,240,597	B2	3/2019	Bayyok
8,662,865	B2	3/2014	Bayyok	10,247,182	B2	4/2019	Zhang
8,668,470	B2	3/2014	Bayyok	10,247,184	B2	4/2019	Chunn
8,707,853	B1	4/2014	Dille	10,273,954	B2	4/2019	Brown
8,733,313	B2	5/2014	Sato	10,288,178	B2	5/2019	Nowell
8,828,312	B2	9/2014	Yao	10,316,832	B2	6/2019	Byrne
8,870,554	B2	10/2014	Kent	10,330,097	B2	6/2019	Skurdalsvold
8,893,806	B2	11/2014	Williamson	10,344,757	B1	7/2019	Stark
8,940,110	B2	1/2015	Qiao	10,364,487	B2	7/2019	Park
8,978,695	B2	3/2015	Witkowski	D856,498	S	8/2019	Bayyok
8,998,593	B2	4/2015	Vicars	10,378,535	B2	8/2019	Mahmood
9,010,412	B2	4/2015	McGuire	10,393,113	B2	8/2019	Wagner
9,103,448	B2	8/2015	Witkowski	10,400,764	B2	9/2019	Wagner
9,150,945	B2	10/2015	Bei	10,415,348	B2	9/2019	Zhang
9,157,136	B2	10/2015	Chou	10,428,406	B2	10/2019	Yao
9,157,468	B2	10/2015	Dille	10,428,949	B2	10/2019	Miller
9,206,910	B2	12/2015	Kahn	10,443,456	B2	10/2019	Hoeg
D748,228	S	1/2016	Bayyok	10,465,680	B1 *	11/2019	Guerra F04B 53/162
9,260,933	B2	2/2016	Artherholt	10,472,702	B2	11/2019	Yeh
9,261,195	B2	2/2016	Toynbee	10,487,528	B2	11/2019	Pozybill
9,273,543	B2	3/2016	Baca	10,519,070	B2	12/2019	Sanders
9,284,631	B2	3/2016	Radon	10,519,950	B2	12/2019	Foster
9,285,040	B2	3/2016	Forrest	10,526,862	B2	1/2020	Witkowski
9,291,274	B1	3/2016	Blume	10,557,446	B2	2/2020	Stecklein
9,322,243	B2	4/2016	Baca	10,557,576	B2	2/2020	Witkowski
9,334,547	B2	5/2016	Qiao	10,557,580	B2	2/2020	Mendyk
9,340,856	B2	5/2016	Otobe	10,563,494	B2	2/2020	Graham
9,359,921	B2	6/2016	Hashimoto	10,563,649	B2	2/2020	Zhang
9,365,913	B2	6/2016	Imazumi	10,570,491	B2	2/2020	Hong
9,371,919	B2	6/2016	Forrest	10,576,538	B2	3/2020	Kato
9,376,930	B2	6/2016	Kim	10,577,580	B2	3/2020	Abbas
9,377,019	B1	6/2016	Blume	10,577,850	B2	3/2020	Ozkan
9,382,940	B2	7/2016	Lee	10,591,070	B2	3/2020	Nowell
9,435,454	B2	9/2016	Blume	10,605,374	B2	3/2020	Takaki
9,441,776	B2	9/2016	Bryne	10,626,856	B2	4/2020	Coldren
9,458,743	B2	10/2016	Qiao	10,633,925	B2	4/2020	Panda
9,464,730	B2	10/2016	Bihlet	10,634,260	B2	4/2020	Said
9,506,382	B2	11/2016	Veager	10,640,854	B2	5/2020	Hu
9,528,508	B2	12/2016	Thomeer	10,655,623	B2	5/2020	Blume
9,528,631	B2	12/2016	McCarty	10,663,071	B2	5/2020	Bayyok
9,534,473	B2	1/2017	Morris	10,670,013	B2	6/2020	Foster
9,534,691	B2	1/2017	Miller	10,670,153	B2	6/2020	Filipow
9,556,761	B2	1/2017	Koyama	10,670,176	B2	6/2020	Byrne
9,568,138	B2	2/2017	Arizpe	10,677,109	B2	6/2020	Qiao
9,605,767	B2	3/2017	Chhabra	10,677,240	B2	6/2020	Graham
9,631,739	B2	4/2017	Belshan	10,677,365	B2	6/2020	Said
D787,029	S	5/2017	Bayyok	10,711,754	B2	7/2020	Nelson
9,638,075	B2	5/2017	Qiao	10,711,778	B2	7/2020	Buckley
9,638,337	B2	5/2017	Witkowski	10,718,441	B2	7/2020	Myers
9,650,882	B2	5/2017	Zhang	10,731,523	B2	8/2020	Qu
9,651,067	B2	5/2017	Beschorner	10,731,643	B2	8/2020	DeLeon
9,689,364	B2	6/2017	Mack	10,738,928	B2	8/2020	Arizpe
9,695,812	B2	7/2017	Dille	10,753,490	B2	8/2020	Fuller
9,732,746	B2	8/2017	Chandrasekaran	10,753,495	B2	8/2020	Bayyok
9,732,880	B2	8/2017	Haines	10,767,520	B1	9/2020	Hattiangadi
9,745,968	B2	8/2017	Kotapish	10,774,828	B1	9/2020	Smith
9,784,262	B2	10/2017	Bayyok	10,781,803	B2	9/2020	Kumar
9,822,894	B2	11/2017	Bayyok	10,787,725	B2	9/2020	Fujieda
9,845,801	B1	12/2017	Shek	10,801,627	B2	10/2020	Warbey
9,857,807	B2	1/2018	Baca	10,808,488	B2	10/2020	Witkowski
9,915,250	B2	3/2018	Brasche	10,815,988	B2	10/2020	Buckley
9,920,615	B2	3/2018	Zhang	10,830,360	B2	11/2020	Frank
9,927,036	B2	3/2018	Dille	10,851,775	B2	12/2020	Stark
9,945,362	B2	4/2018	Skurdalsvold	10,865,325	B2	12/2020	Nakao
9,945,375	B2	4/2018	Zhang	10,907,738	B2	2/2021	Nowell
9,989,044	B2	6/2018	Bayyok	10,914,171	B2	2/2021	Foster
10,029,540	B2	7/2018	Seeger	10,934,899	B2	3/2021	Hattiangadi
10,082,137	B2	9/2018	Graham	10,941,866	B2	3/2021	Nowell
10,094,478	B2	10/2018	Iijima	10,954,938	B2	3/2021	Stark
10,113,679	B2	10/2018	Shuck	10,961,607	B2	3/2021	Oshima
10,190,197	B2	1/2019	Baker	10,962,001	B2	3/2021	Nowell
10,197,172	B2	2/2019	Fuller	D916,240	S *	4/2021	Nowell D23/233
				10,968,717	B2	4/2021	Tran
				10,988,834	B2	4/2021	Lee
				10,989,321	B2	4/2021	Hattiangadi
				11,028,662	B2	6/2021	Rhodes

(56)

References Cited

U.S. PATENT DOCUMENTS

2020/0399979 A1 12/2020 Webster
 2020/0400003 A1 12/2020 Webster
 2020/0400130 A1 12/2020 Poehls
 2020/0400132 A1 12/2020 Kumar
 2020/0400140 A1 12/2020 Bayyouk
 2020/0400242 A1 12/2020 Spencer
 2021/0010113 A1 1/2021 Qiao
 2021/0010470 A1* 1/2021 Blume F04B 1/0452
 2021/0017830 A1 1/2021 Witkowski
 2021/0017982 A1 1/2021 Bayyouk
 2021/0017983 A1 1/2021 Myers
 2021/0040836 A1* 2/2021 Baskin E21B 4/003
 2021/0054486 A1 2/2021 Kim
 2021/0102630 A1 4/2021 Nowell
 2021/0130936 A1 5/2021 Wu
 2021/0148471 A1 5/2021 Murugesan
 2021/0180156 A1 6/2021 Kim
 2021/0190053 A1 6/2021 Wagner
 2021/0190223 A1 6/2021 Bayyouk
 2021/0197524 A1 7/2021 Maroli
 2021/0215071 A1 7/2021 Oikawa
 2021/0215154 A1* 7/2021 Nowell F04B 1/0408
 2021/0230987 A1 7/2021 Tanner
 2021/0239111 A1 8/2021 Zitting
 2021/0246537 A1 8/2021 Maroli
 2021/0260704 A1 8/2021 Hu
 2021/0270261 A1 9/2021 Zhang
 2021/0285551 A1 9/2021 Renollett
 2021/0310484 A1 10/2021 Myers
 2021/0381504 A1 12/2021 Wagner
 2021/0381615 A1 12/2021 Riedel
 2021/0388832 A1 12/2021 Byrne

FOREIGN PATENT DOCUMENTS

CN 102410194 4/2021
 EP 0 414 955 3/1991

OTHER PUBLICATIONS

KerrPumps, "Super Stainless Steel Better Than The Best," http://kerrpumps.com/superstainless?gclid=EAlalQobChMlg47o482q6wIViITich2XPA-qEAAAYASAAEgKrxPD_BwE, 2013, last accessed: Aug. 21, 2020, 6 pages.
 U.S. Appl. No. 16/814,267, 194 pages.
 U.S. Appl. No. 17/120,121, 110 pages.
 U.S. Appl. No. 62/234,483, 45 pages.
 U.S. Appl. No. 62/315,343, 41 pages.
 U.S. Appl. No. 62/318,542, 44 pages.
 U.S. Appl. No. 62/346,915, 41 pages.
 U.S. Appl. No. 62/379,462, 24 pages.
 "Flush Free Sealing Benefits," Oct. 3, 2011, <http://empoweringpumps.com/flush-free-sealing-benefits/>, accessed May 9, 2020, 5 pages.
 Gardner Denver, Well Servicing Pump Model GD-3000—Operating and Service Manual, Apr. 2011, 44 pages.
 Gardner Denver, Well Servicing Pump Model GD-1000Q—Fluid End Parts List, Sep. 2011, 24 pages.
 Gardner Denver, Well Servicing Pump Model HD-2250—Operating and Service Manual, Jan. 2005, 44 pages.
 Gardner Denver, Gd 2500Q HDF Frac & Well Service Pump, 2 pages.
 Gutting Tool Engineering, "Groove milling," Aug. 1, 2012, <https://www.ctemag.com/news/articles/groove-milling>, accessed May 13, 2020, 11 pages.
 Vargususa, "Groovex Innovative Grooving Solutions - Groove Milling," Dec. 12, 2011, <http://www.youtube.com/watch?v=vrFvHJUXjvk>, 68 pages.
 Kerr Pumps, Kerr KA-3500B/KA-3500BCB Plunger Pump Parts and Service Manual, 41 pages.
 Kerr Pumps, Kerr KD-1250B/KD-1250BCB Plunger Pump Service Manual, 38 pages.

Kerr Pumps, Kerr KJ-2250B and KJ-2250BCB Plunger Pump Service Manual, 38 pages.

Kerr Pumps, Kerr KM-3250B / KM-3250BCB Plunger Pump Service Manual, 35 pages.

Kerr Pumps, Kerr KP-3300B / KP-3300BCB Plunger Pump Service Manual, 41 pages.

Kerr Pumps, Kerr KT-3350B/BCB KT-3400BCB Plunger Pump Service Manual, 46 pages.

Kerr Pumps, Kerr triplex pump km3250bcb 10,000 psi @ 5.1 gmp, Feb. 2, 2021, <http://imged.com/kerr-triplex-pump-km3250bcb-10-000-psi-5-1-gmp-8234739.html>, 2 pages.

Lex Machina, 77 Federal district court cases for Alan D Albright of W.D. Tex., http://law.lexmachina.com/court/txwd/udge/5198506/cases?status=open&filed_on-from=2020-02-19&filed_on-to=2020-04-19&pending-, 7 pages.

Lex Machina, Motion Metrics Report for 834 orders issued by District Judge Alan D Albright (ADA) in 1,603 cases from the Search for federal district court cases before Judge Alan D Albright, https://law.lexmachina.com/motions/motion_metrics?cases_key=yyix9Y8-k2k, generated on Sep. 23, 2020, 1 page.

Lex Machina, 6:20-cv-00200-ADA, *Kerr Machine Co. v. Vulcan Industrial Holdings, LLC* Docket Entries, <https://law.lexmachina.com/cases/2004206451#docket-entries>, 6 pages.

Jonathan Maes, "Machining Square Inside Corners: Conquer the Nightmare!," accessed Sep. 8, 2020, <https://makeitfrommetal.com/machining-square-inside-corners-the-night->, 22 pages.

Ross Mackay, "Process Engineering: Properly seal that pump," May 17, 2005, <https://www.chemicalprocessing.com/articles/2005/465>, 11 pages.

MSI Fluid End Components, <https://www.scribd.com/document/421304589/Fluid-End>, 1 page.

MSI Dixie Iron Works, Ltd., MSI QI-1000 Technical Manual for 1000 HP Quintuplex MSI QI-1000 Pump, Feb. 21, 2004, 90 pages.

MSI, Product Listing and Pricing, accessed Mar. 8, 2016, 19 pages.

National Oilwell Varco, 267Q-6M Quintuplex Plunger Pump: Parts List, Jul. 21, 2008, 13 pages.

Oil and Gas Well Servicing, Audit Procedures for Oil and Gas Well Servicing, May 2010, Texas Comptroller of Public Accounts, Audit Division, 68 pages.

Tony Atkins and Marcel Escudier, Oxford Dictionary of Mechanical Engineering, Oxford University Press, 2013, 10 pages.

Parker Hannifin Corporation and Autoclave Engineers, Technical Information, 2016, 16 pages.

Girdhar, Moniz and Mackay, "Chapter 5.4 Centrifugal pump design," Plant and Process Engineering 360, 2010, pp. 519-536.

Parker Hannifin Corporation, PolyPak Seals for Hydraulic Applications Catalog EPS 5370_PolyPak, 2015, 38 pages.

Paresh Girdhar and Octo Moniz, "Practical Centrifugal Pumps—Design, Operation and Maintenance," Newnes, 2005, 33 pages.

Reinhard Preiss, "Stress concentration factors of flat end to cylindrical shell connection with a fillet or stress relief groove subjected to internal pressure," 1997, Int. J. Pres. Ves & Piping, vol. 73, pp. 183-190.

Caterpillar, WS255 Quintuplex Well Stimulation Pump, 2 pages.

Gardner Denver Pumps, Redline Series Brochure, 3 pages.

Eaton Aerospace Group, Resilient Metallic Seals, TF100-35D, Oct. 2013, 60 pages.

Scott McKeown, "District Court Trial Dates Tend to Slip After PTAB Discretionary Denials—Patents Post-Grant," Jul. 24, 2020, Ropes & Gray, accessed Sep. 23, 2020, 3 pages.

Ricky Smith and R. Keith Mobley, "Rules of Thumb for Maintenance and Reliability Engineers—Chapter 14: Packing and Seals," Elsevier, 2008, pp. 239-250.

Schlumberger, Jet Manual 02—Reciprocating Pumps, Aug. 7, 2015, 63 pages.

Schlumberger, Treating Equipment Manual: Fluid Ends, Section 10, Apr. 2000, 87 pages.

SPM Oil & Gas, SP, QEM 3000 Frac Pump, 2021, 4 pages.

Supplemental Declaration of Steven M. Tipton, Ph.D., P.E.—Case PGR2020-00065, U.S. Pat. No. 10,591,070, Mar. 2, 2021, 35 pages.

Servagroup, TPD 600 Triplex Pump Brochure, Mar. 24, 2011, 2 pages.

(56)

References Cited

OTHER PUBLICATIONS

Utex Industries, Inc., Well Service Products Catalog, Jun. 2017, 51 pages.

Utex Industries, Inc., Well Service Packing - Packing Assemblies Complete & Replacement, May 2013, 40 pages.

Vargus Ltd., Groove Milling High Precision Tools for Groove Milling, Dec. 2012, pp. 2-22.

U.S. Appl. No. 16/722,139, 104 pages.

Kerr Machine Co., v Vulcan Industrial Holdings, LLC, Vulcan Energy Services, LLC, and Cizion, LLC d/b/a/Vulcan Industrial Manufacturing, Case No. 6:20-CV-00200-ADA, Docket Entry, Aug. 2, 2020, 1 page.

Acquanlan Deonshay Harris v. Cenlar, FSB, Case No. 6:20-CV-00271-ADA-JCM, Document 13, Scheduling Order, Aug. 20, 2020, 4 pages.

Kerr Machine Co. vs. Vulcan Industrial Holdings, LLC, Case No. WA:20-CV-00200-ADA, Order Setting Markman Hearing, May 29, 2020, 1 page.

Kendra Coufal v. Roger Lee Thomas and Apple Logistics, Inc., Case No. 6:20-CV-00356-ADA-JCM, Document 12, Scheduling Order, Jul. 28, 2020, 4 pages.

Tipton International, Inc., v. Vetbizcorp, LLC and Samuel Cody, Case No. 6:20-CV-00554-ADA-JCM, Document 8, Scheduling Order, Aug. 20, 2020, 4 pages.

Declaration of Duncan Hall from Internet Archive/Wayback Machine, Feb. 3, 2021, Kerr Plunger Pump Manuals, 20 pages.

Michael Agnes, Editor, Webster's New World College Dictionary, Fourth Edition, 1999, 5 pages.

Weir SPM Oil & Gas, Grooveless Fluid End, 2008, 1 page.

Weir SPM Oil & Gas, Weir SPM General Catalog, 2009, 40 pages.

Weir SPM Oil & Gas, Well Service Pump Reference Guide, 2008, 55 pages.

Intellectual Ventures I LLC v VMWare, Inc., Case No. 1:19-CV-01075-ADA, Document 91 (W.D. Tex. Jun. 3, 2020), Defendant VMWare, Inc.'s Stipulation of Invalidity Contentions for U.S. Pat. No. 7,949,752, Jun. 3, 2020, 5 pages.

Vulcan Industrial Holding, LLC et al. v. Kerr Machine Co. Case No. 4:21-cv-433, Document 1, Complaint for Declaratory Judgment of Patent Non-Infringement, Feb. 9, 2021, 17 pages.

Trilogy Enterprises, Inc., v. Trilogy Education Services, LLC, Case No. 6:19-cv-199-ADA-JCM, Document 35, Fifth Amended Scheduling Order, Sep. 8, 2020, 4 pages.

Dr. Corneliu Bolbocean v Baylor University, Case No. 6:19-CV-00465-ADA-JCM, Document 34, Scheduling Order, Apr. 6, 2020, 4 pages.

Kerr Machine Co., v Vulcan Energy Services, LLC, Vulcan Industrial Holdings, LLC, and Cizion, LLC d/b/a/ Vulcan industrial Manufacturing, Case No. 6:21-CV-00044-ADA, Document 4, Plaintiffs Amended Complaint for Patent infringement and Jury Demand, Jan. 19, 2021, 30 pages.

Kerr Machine Co., v Vulcan Energy Services, LLC, Vulcan Industrial Holdings, LLC, and Cizion, LLC d/b/a/ Vulcan industrial Manufacturing, Case No. 6:21-CV-00044, Document 1, Plaintiffs Original Complaint for Patent Infringement and Jury Demand, Jan. 19, 2021, 47 pages.

Kerr Machine Co., v Vulcan Energy Services, LLC, Vulcan Industrial Holdings, LLC, and Cizion, LLC d/b/a/ Vulcan Industrial Manufacturing, Case No. 6:21-CV-00044-ADA, Document 10, Plaintiffs Second Amended Complaint for Patent Infringement and Jury Demand, Feb. 1, 2021, 88 pages.

Kerr Machine Co., v Vulcan Industrial Holdings, LLC, Vulcan Energy Services, LLC, Cizion, LLC, Case No. W-20-CV-00200-ADA-24, Order Setting Trial Date, Jun. 14, 2020, 1 page.

Kerr Machine Co., v Vulcan Industrial Holdings, LLC, Vulcan Energy Services, LLC, Cizion, LLC, Case No. W-20-CV-00200-ADA-29, Order Setting Trial Date, Aug. 2, 2020, 1 page.

Kerr Machine Co., v. Vulcan Industrial Holdings, LLC, Case No. 6:20-CV-00200-ADA, Affidavit of Service, Apr. 7, 2020, 1 page.

Kerr Machine Co., v Vulcan Industrial Holdings, LLC, Vulcan Energy Services, LLC, and Cizion, LLC d/b/a/ Vulcan industrial

Manufacturing, Case No. 6:20-CV-00200-ADA, Plaintiffs First Amended Complaint for Patent Infringement and Jury Demand, Jun. 4, 2020, 11 pages.

Kerr Machine Co., v Vulcan Industrial Holdings, LLC, Vulcan Energy Services, LLC, and Cizion, LLC d/b/a/ Vulcan industrial Manufacturing, Case No. 6:20-CV-00200-ADA, Document 26, Defendant Cizion, LLC d/b/a Vulcan Industrial Manufacturing, LLC's Motion to Dismiss or Transfer, Jul. 22, 2020, 10 pages.

Kerr Machine Co., v Vulcan Industrial Holdings, LLC, Vulcan Energy Services, LLC, and Cizion, LLC d/b/a/ Vulcan Industrial Manufacturing, Case No. 6:20-CV-00200-ADA, Defendants' Opposed Motion to Stay Litigation Pending the Outcome of the Pending Post-Grant Review Proceeding Before the Patent Trial and Appeal Board, Jul. 31, 2020, 14 pages.

Kerr Machine Co., v Vulcan Industrial Holdings, LLC, Case No. 6:20-CV-00200-ADA, Plaintiffs Preliminary Infringement Contentions, May 22, 2020, 50 pages.

Kerr Machine Co., v Vulcan Industrial Holdings, LLC, Vulcan Energy Services, LLC, and Cizion, LLC d/b/a/ Vulcan Industrial Manufacturing, Case No. 6:20-CV-00200-ADA, Defendants' Preliminary Invalidity Contentions, Aug. 13, 2020, 29 pages.

Kerr Machine Co., v Vulcan Industrial Holdings, LLC, Vulcan Energy Services, LLC, and Cizion, LLC d/b/a/ Vulcan Industrial Manufacturing, Case No. 6:20-CV-00200-ADA, Document 34, Scheduling Order, Aug. 11, 2020, 3 pages.

Kerr Machine Co., v Vulcan Industrial Holdings, LLC, Vulcan Energy Services, LLC, and Cizion, LLC d/b/a/ Vulcan industrial Manufacturing, Case No. 6:20-CV-00200-ADA, Document 38, Plaintiffs Second Amended Complaint for Patent Infringement and Jury Demand, Sep. 25, 2020, 11 pages.

Kerr Machine Co., v Vulcan Industrial Holdings, LLC, Vulcan Energy Services, LLC, and Cizion, LLC d/b/a/ Vulcan Industrial Manufacturing, Case No. 6:20-CV-00200-ADA, Document 5, Standing Order regarding Scheduled Hearings in Civil Cases in Light of Chief Judge Garcia's 24 Amended Order, Mar. 24, 2020, 4 pages.

Kerr Machine Co., v Vulcan Industrial Holdings, LLC, Vulcan Energy Services, LLC, and Cizion, LLC d/b/a/ Vulcan Industrial Manufacturing, Civil Docket for Case No. 6:20-cv-00200-ADA, accessed Sep. 11, 2020, 7 pages.

Kerr Machine Co., v Vulcan Industrial Holdings, LLC, Vulcan Energy Services, LLC, and Cizion, LLC d/b/a/ Vulcan Industrial Manufacturing, Case No. 6:20-CV-00200-ADA, Document 54, Claim Construction Order, Dec. 3, 2020, 3 pages.

Kerr Machine Co., v Vulcan Industrial Holdings, LLC, Case No. 6:20-CV-00200, Document 1, Plaintiffs Original Complaint for Patent Infringement and Jury Demand, Mar. 19, 2020, 39 pages.

Adriana del Rocio Barberena-Rovira, et al., v Kuiper Dairy, LLC, et al., Case No. 6:20-CV-00250-ADA-JCM, Document 20, Scheduling Order, Jul. 22, 2020, 4 pages.

Senior Living Properties, LLC c. Ironshore Speciality, Insurance Company, Case No. 6:20-CV-00282-ADA-JCM, Document 12, Scheduling Order, Jul. 7, 2020, 4 pages.

Dionne Bracken, Individually and as Next Friend of A.M.B., v Michael D. Ashcraft and Envirovac Waste Transport Systems, Inc., Case No. 6:20-CV-00308-ADA-JCM, Document 17, Scheduling Order, Jul. 28, 2020, 4 pages.

Kendra Coufal v. Roger Lee Thomas and Apple Logistics, Inc., Case No. 6:20-CV-00356-ADA-JCM, Document 12, Scheduling Order, July 228, 2020, 4 pages.

Tipton International, Inc., v. Vetizcorp, LLC and Samuel Cody, Case No. 6:20-CV-00554-ADA-JCM, Document 8, Scheduling Order, Jul. 7, 2020, 4 pages.

Dynaenergetics GmbH & Co. KG and Dynaenergetics US, Inc., v. Hunting Titan, Ltd.; Hunting Titan, Inc.; and Hunting Energy Services, Inc., Case No. H-17-3784, Order, Sep. 4, 2020, 2 pages. Slip Opinion, In re Sand Revolution LLC, Case No. 2020-00145 (Fed. Cir. Sep. 28, 2020), 3 pages.

In re Vulcan Industrial Holdings, LLC, Case No. 2020-00151 (Fed. Cir. Sep. 29, 2020), Petition for Writ of Mandamus, 43 pages.

Densys Ltd., v. 3Shape Trios A/S and 3Shape A/S, Case No. WA:19-CV-00680-ADA, Document 27, Scheduling Order, Apr. 8, 2020, 4 pages.

(56)

References Cited

OTHER PUBLICATIONS

Flowserve, “Dynamic Balance Plug Valve and Double DB Plug Valve: Installation, Operation and Maintenance,” 2011, https://www.flowserve.com/sites/default/files/2016-07/NVENIM2005-00_0.pdf, 36 pages.

Weir Oil & Gas, “SPM Well Service Pumps & Flow Control Products TWS600S Fluid End Operation Instruction and Service Manual,” Feb. 27, 2017, <https://www.global.weir/assets/files/oil%20and%20gas%20ebrochures/manuals/tws600s-fluid-end-2p121260.pdf>, 41 pages.

White Star Pump Co., “Maintenance Manual: Triplex Pump WS-1300/1600,” 2005, http://www.whitestarpump.com/ES/Jocs/user_tpdf, 45 pages.

Kerrpumps, “Super Stainless Steel Better Than The Best,” http://kerrpumps.com/superstainless?gclid=EAIalQobChMlg47o482q6wIViITich2XPA-qEAYASAAEgKrxPD_BwE, 2013, last accessed: Aug. 21, 2020, 6 pages.

Kerrpumps, “Frac One Pumps—Fluid End—Fracing,” <http://kerrpumps.com/fracone>, 2013, last accessed: Aug. 21, 2020, 3 pages.

Kerrpumps, “KerrPumps—Frac Pump & Mud Pump Fluid End—Fluid End Pump,” <http://kerrpumps.com/fluidends>, 2013, last accessed: Aug. 21, 2020, 6 pages.

Vulcan Industrial, “Vulcan,” <http://www.vulcanindustrial.com/>, 2019, last accessed: Aug. 21, 2020, 3 pages.

Vulcan Industrial, “Vulcan,” <http://www.vulcanindustrial.com/fluid-ends/>, 2019, last accessed: Aug. 21, 2020, 3 pages.

Kerr Pumps, “the most advanced fluid ends,” (site visited Aug. 5, 2021), [Kerrpumps.com](http://kerrpumps.com/fluidends), URL: <http://kerrpumps.com/fluidends> (Year: 2021).

Shandong Baorun, 2250 Triplex Plunger Pump Fluid End Exchangeable with Spm, (site visited Aug. 5, 2021), [made-in-china.com](https://sdbaorun.en.made-in-china.com/product/wNixIDXYrshL/China-2250-Triplex-Plunger-Pump-Fluid-End-Exchangeable-with-Spm.html), URL: <https://sdbaorun.en.made-in-china.com/product/wNixIDXYrshL/China-2250-Triplex-Plunger-Pump-Fluid-End-Exchangeable-with-Spm.html> (Year: 2021).

John Miller, “The Reciprocating Pump, Theory, Design and Use,” 1995, 2nd Edition, Krieger Publishing Company, Malabar, Florida, 1 page.

“QIH-1000 Hp Quintuplex,” Dixie Iron Works, 2017, <https://web.archive.org/web/20171031221150/http://www.diwmsi.com/pumping/qi-1000/>.

Technical Manual MSI Hybrid Well Service Pump Triplex and Quintuplex Models, Dixie Iron Works, Mar. 12, 2019, 38 pages. <https://www.diwmsi.com/pumping/qi-1000/>.

Carpenter, “CarTech Ferrium C61 Data Sheet,” 2015, 2 pages.

The American Heritage Dictionary, Second College Edition, 1982, 6 pages.

Matthew Bultman, “Judge in West Texas Patent Hot Spot Issues Revised Guidelines,” Sep. 23, 2020, Bloomberg Law News, 3 pages.

David L. Taylor, “Machine Trades Blueprint Reading: Second Edition,” 2005, 3 pages.

Blume, U.S. Pat. No. 6,544,012, issued Apr. 8, 2003, Fig. 12A.

Caterpillar, “Cat Fluid Ends For Well Stimulation Pumps,” 2015, 2 pages.

Claim Chart for U.S. Pat. No. 6,544,012, 23 pages.

Claim Chart for U.S. Pat. No. 7,186,097, 22 pages.

Claim Chart for U.S. Pat. No. 7,845,413, 8 pages.

Claim Chart for U.S. Pat. No. 9,534,472, 8 pages.

Claim Chart for U.S. Pat. Pub. No. 2013/0319220, 17 pages.

Claim Chart for U.S. Pat. Pub. No. 2014/0348677, 10 pages.

Claim Chart for U.S. Pat. Pub. No. 2015/0132157, 23 pages.

Claim Chart for “GD-3000,” 9 pages.

Claim Chart for “NOV-267Q,” 14 pages.

Collins English Dictionary, “annular,” <https://www.collinsdictionary.com/US/dictionary/english/annular>, 2021, 4 pages.

Collins English Dictionary, “circumference,” <https://www.collinsdictionary.com/us/dictionary/english/circumference>, 2021, 7 pages.

Collins English Dictionary, “plug,” <https://www.collinsdictionary.com/us/dictionary/english/plug>, 2021, 17 pages.

Collins English Dictionary, “profile,” <https://www.collinsdictionary.com/us/dictionary/english/profile>, 2021, 10 pages.

Collins English Dictionary, “sleeve,” “therethrough,” “through,” “tube,” and “tubular,” 8 pages.

Collins English Dictionary, “space,” <https://www.collinsdictionary.com/US/dictionary/english/space>, 2021, 13 pages.

Collins English Dictionary, “stairstep,” <https://www.collinsdictionary.com/us/dictionary/english/stairstep>, 2021, 3 pages.

Congressional Record—Extensions of Remarks, Apr. 18, 2007, pp. E773-E775.

Congressional Record, Mar. 7, 2011, 31 pages.

“Declaration of Steven M. Tipton, Ph.D., P.E., Submitted with Patent Owner’s Preliminary Response,” Sep. 11, 2020, 155 pages.

“Declaration of William D. Marscher, P.E. - U.S. Pat. No. 10,914,171,” Feb. 11, 2021, 308 pages.

“Declaration of William D. Marscher, P.E.—U.S. Pat. No. 10,591,070,” May 25, 2020, 209 pages.

Email dated Sep. 22, 2020 in PGR2020-00065, 3 pages.

Email dated Sep. 25, 2020 in *Kerr Machine v Vulcan Industrial Holdings*, 1 page.

U.S. Pat. No. 10,288,178, 353 pages.

U.S. Pat. No. 10,519,950, 142 pages.

U.S. Pat. No. 10,591,070, 168 pages.

U.S. Pat. No. 10,914,171, 104 pages.

U.S. Appl. No. 13/773,271, 250 pages.

U.S. Appl. No. 15/719,124, 183 pages.

* cited by examiner

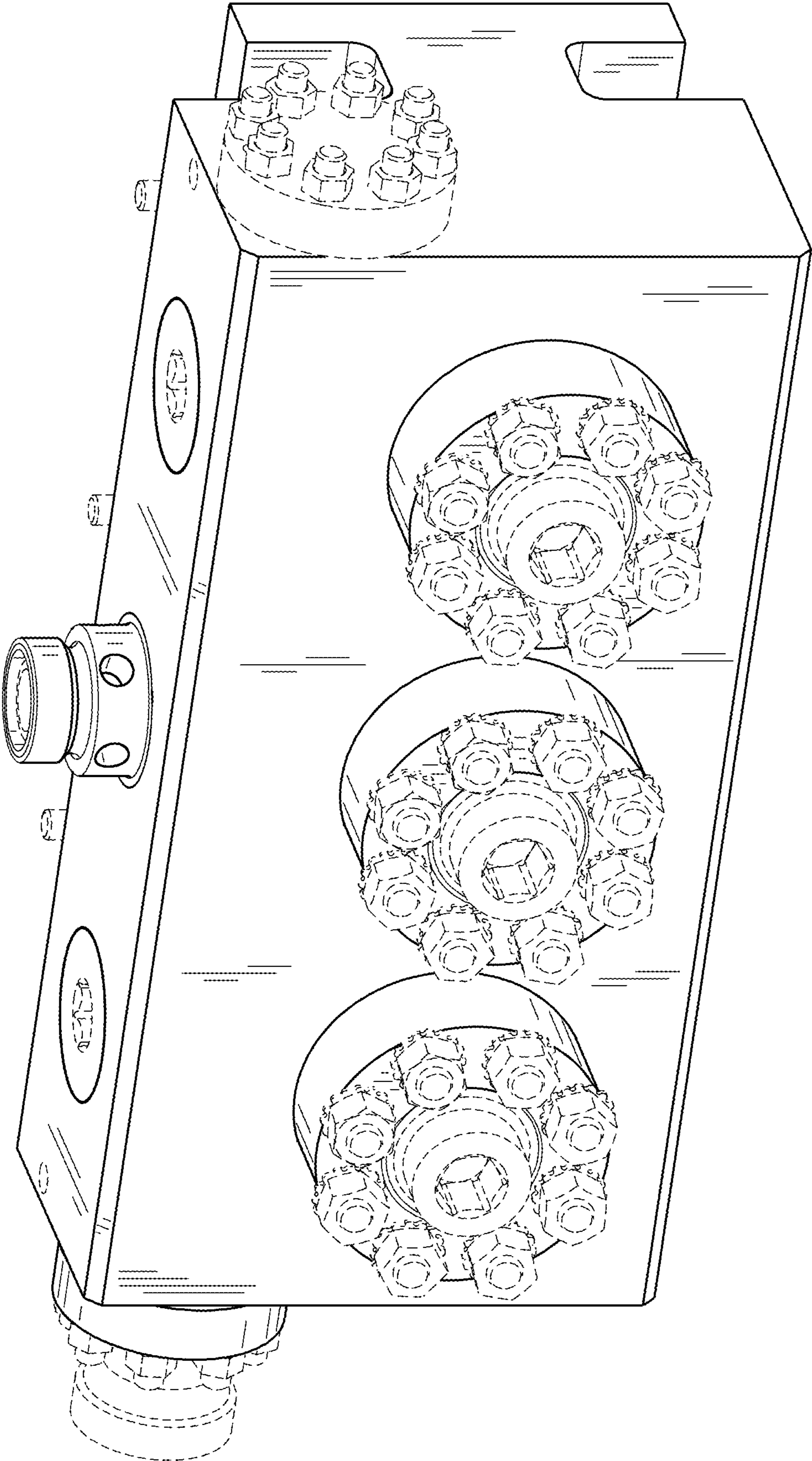


FIG. 1

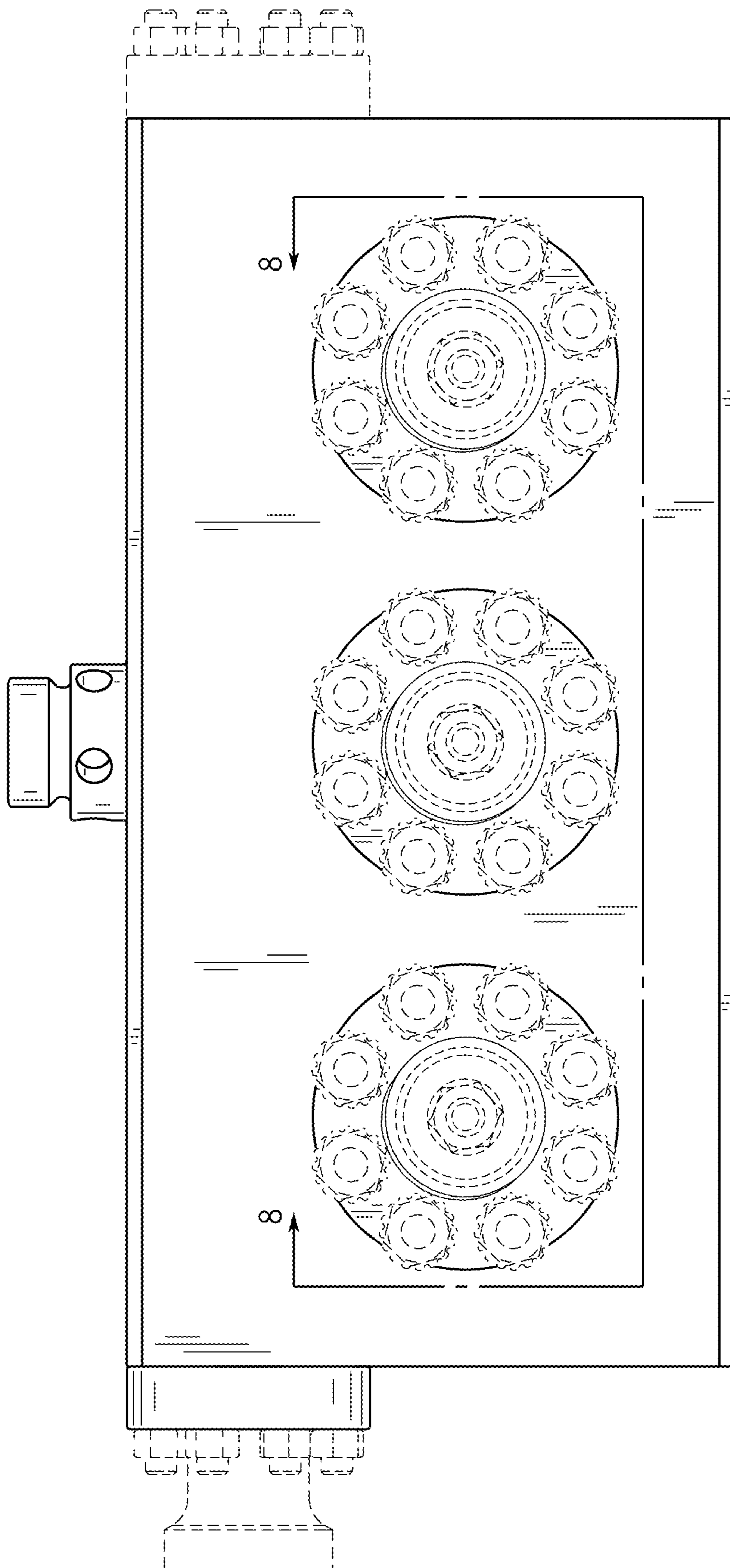


FIG. 2

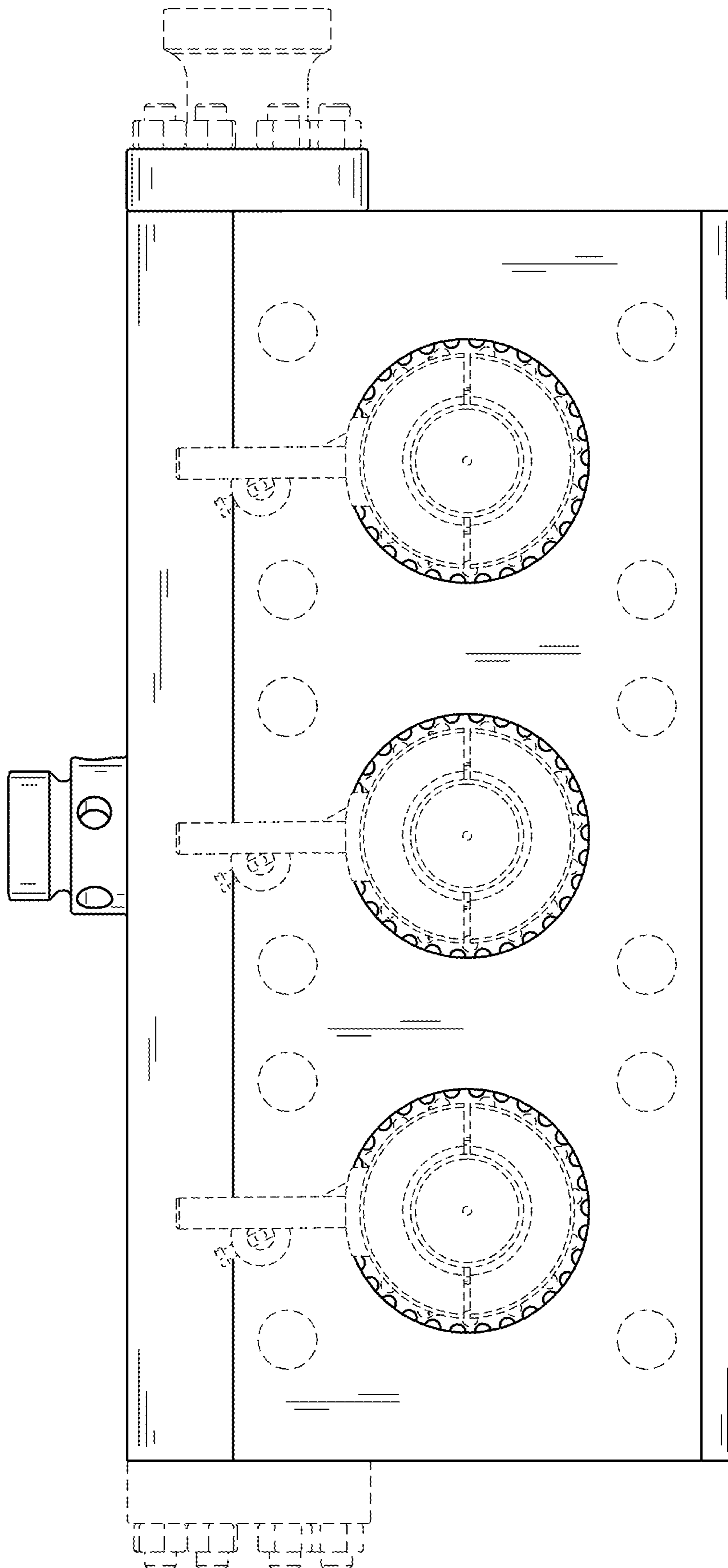


FIG. 3

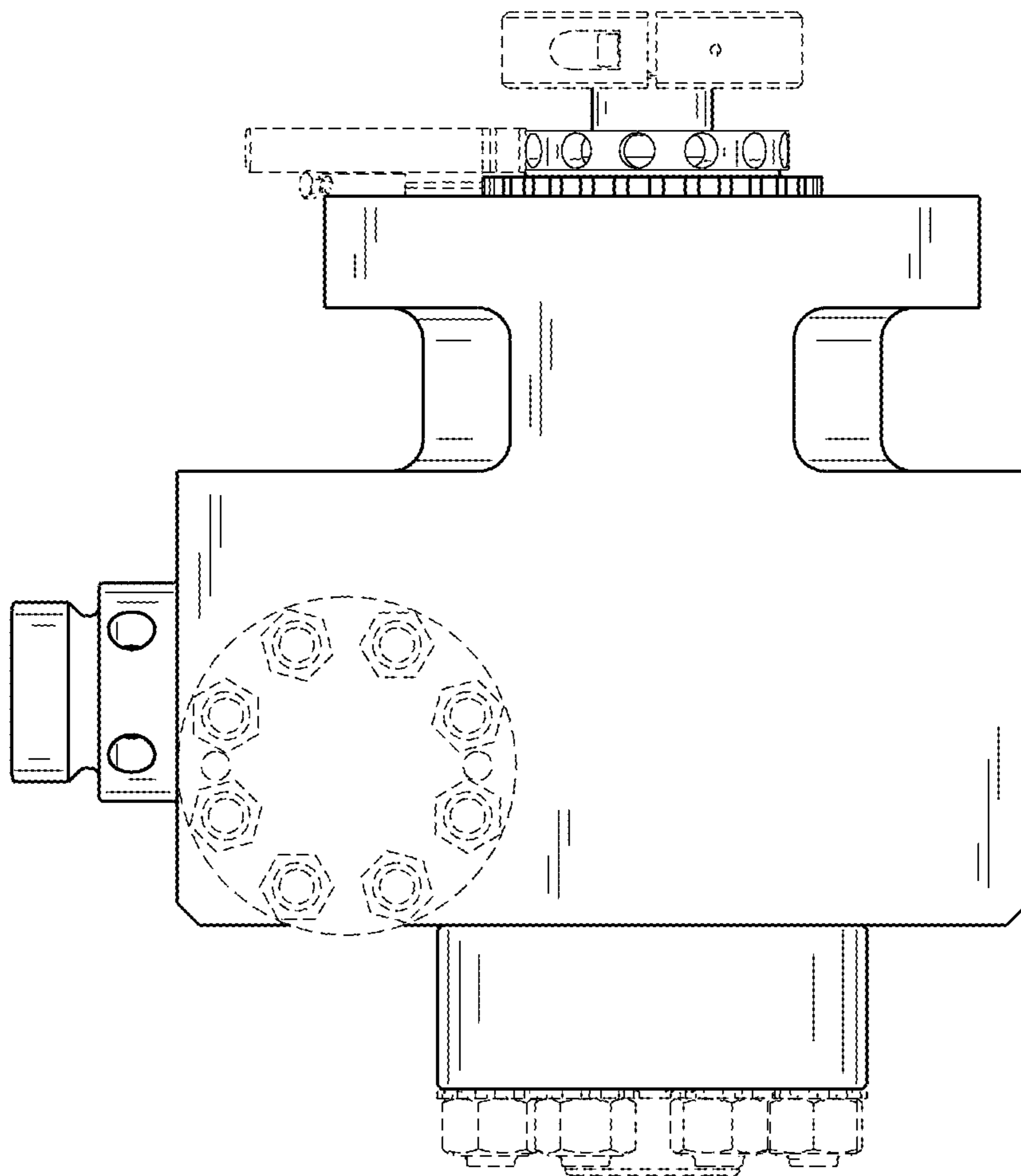


FIG. 4

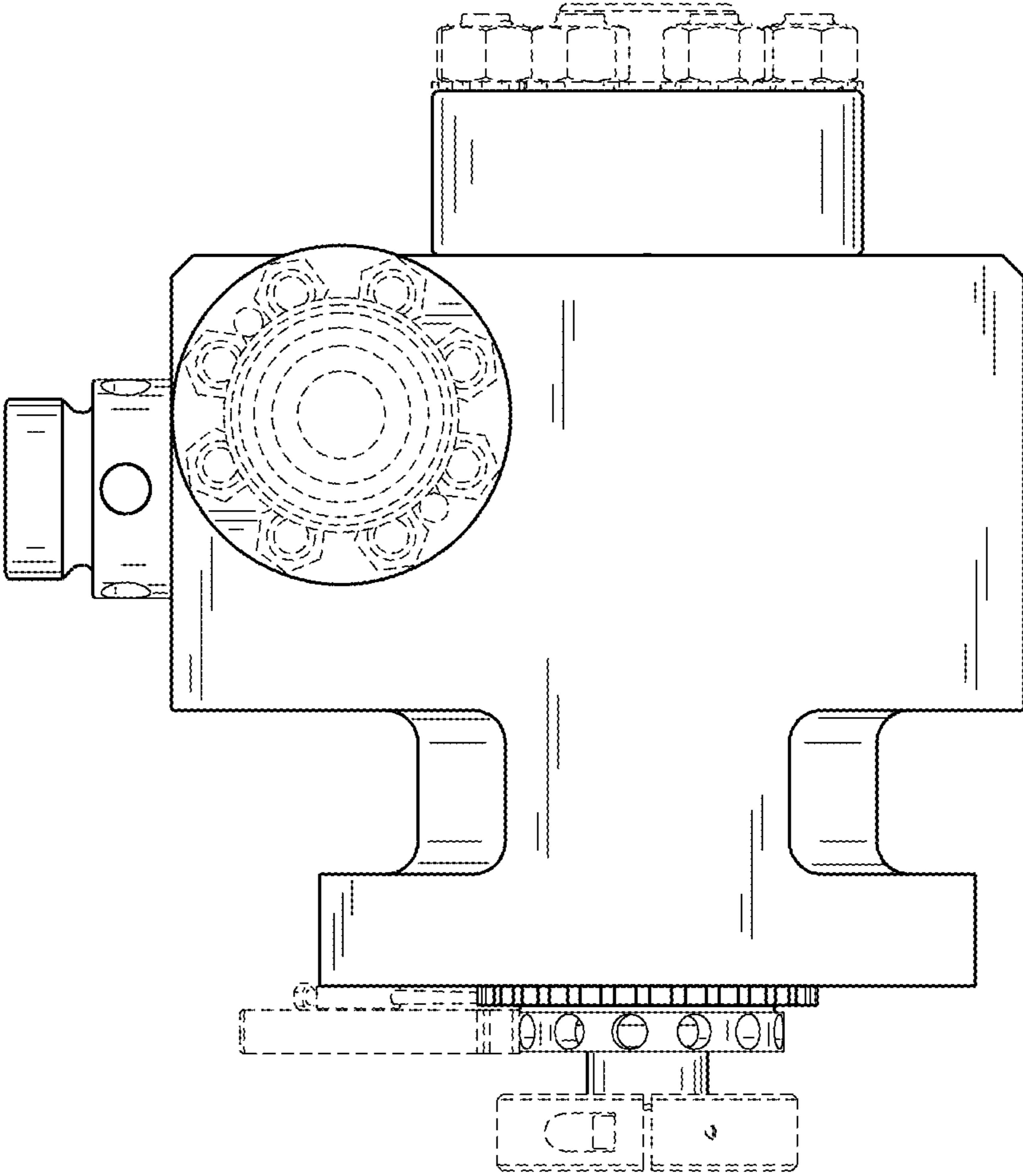


FIG. 5

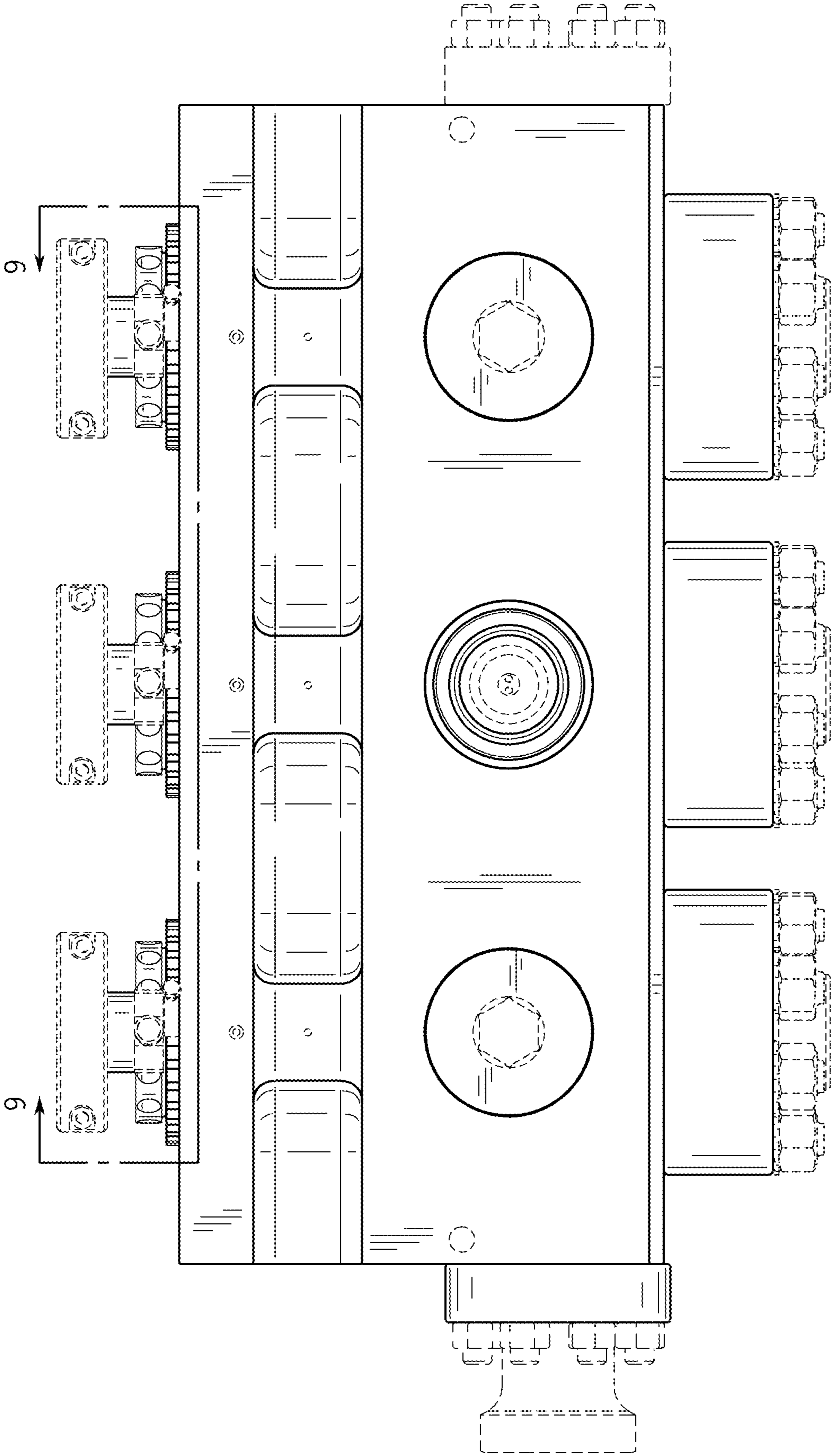


FIG. 6

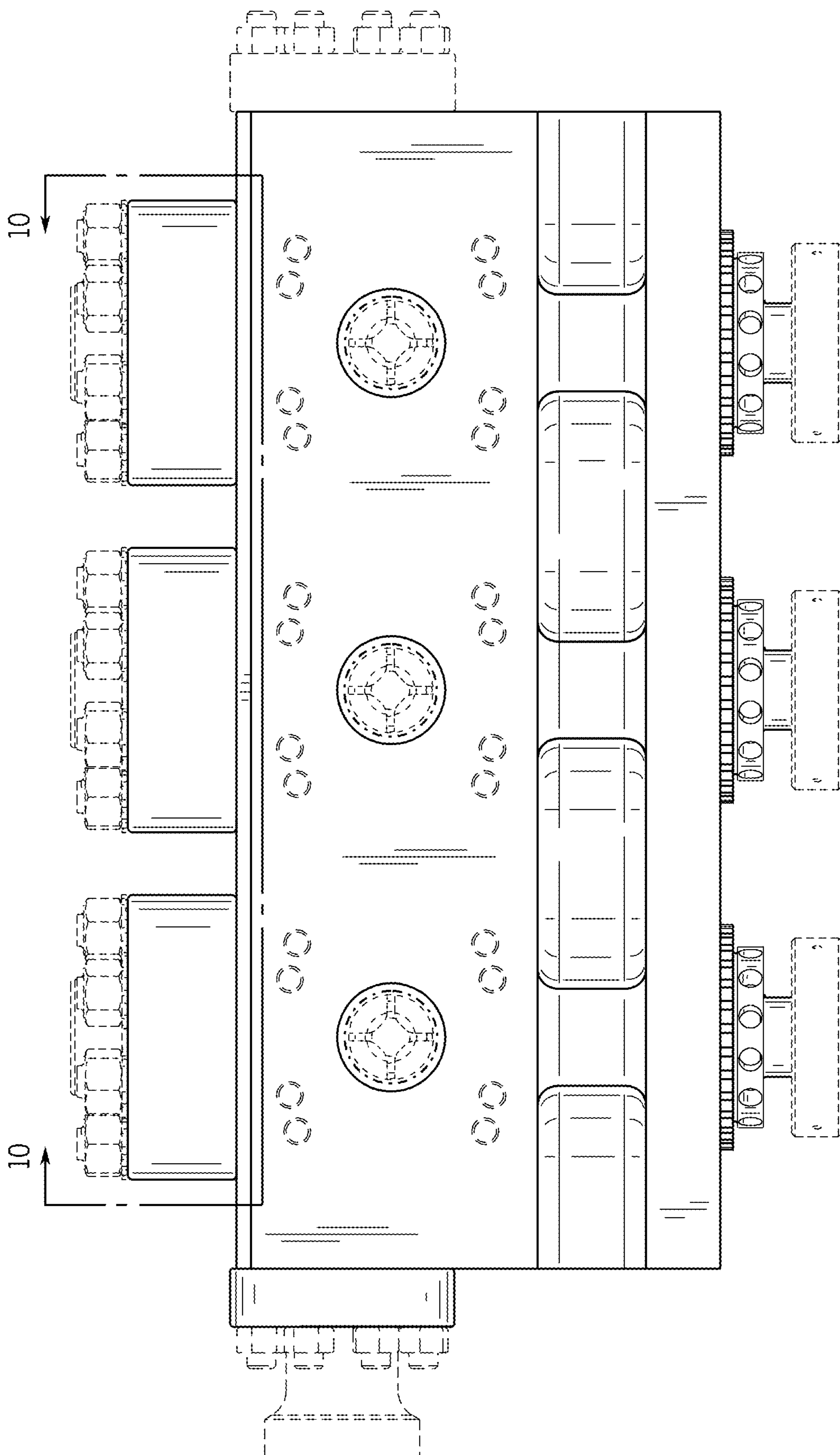


FIG. 7

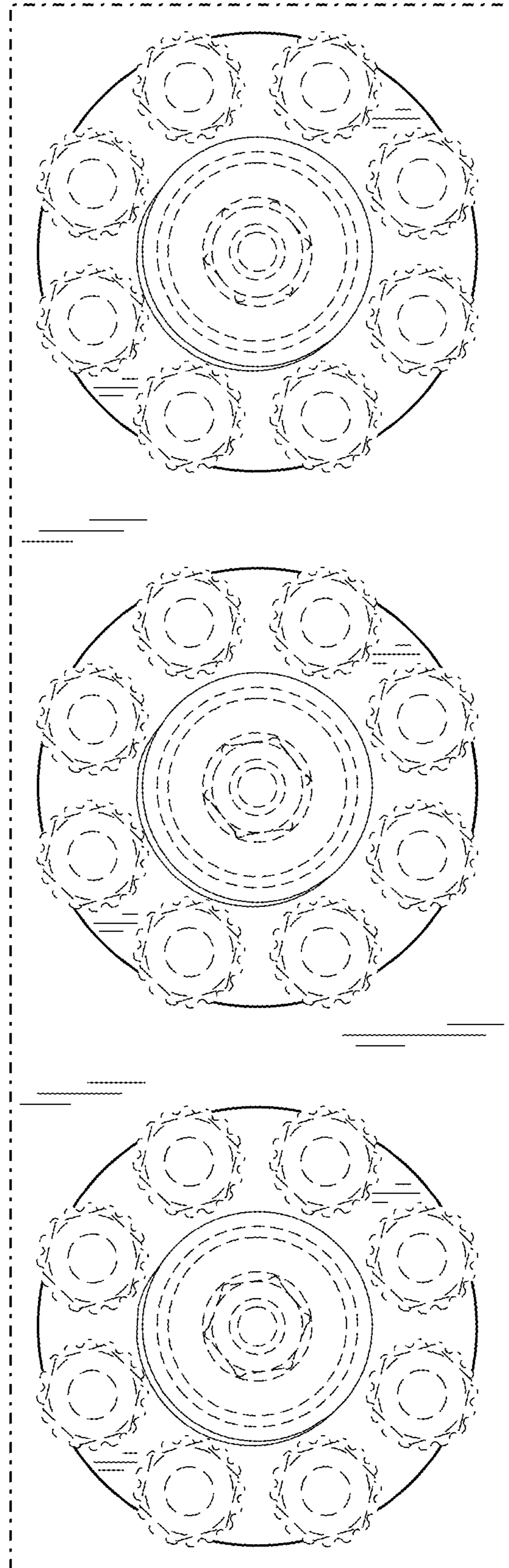


FIG. 8

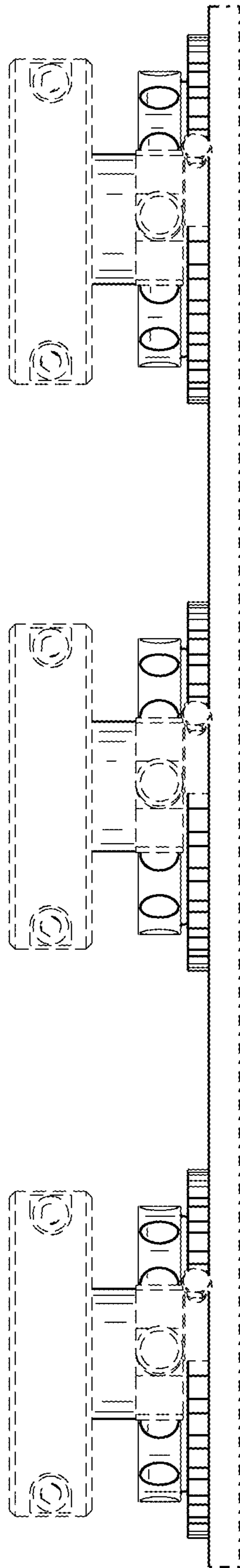


FIG. 9

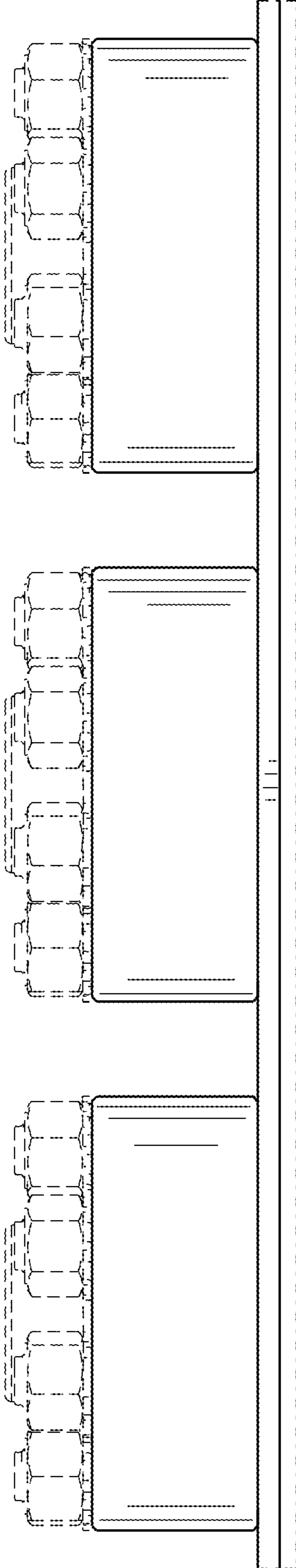


FIG. 10