



US00D980875S

(12) **United States Design Patent**  
**Carter et al.**

(10) **Patent No.:** **US D980,875 S**  
(45) **Date of Patent:** **\*\* Mar. 14, 2023**

(54) **LAWN MOWER**

(71) Applicant: **MILWAUKEE ELECTRIC TOOL CORPORATION**, Brookfield, WI (US)

(72) Inventors: **Adam Neil Carter**, Milwaukee, WI (US); **Adam A. Ostrowski**, Milwaukee, WI (US); **Shane McCue**, Greenfield, WI (US); **John L. Whealon**, West Bend, WI (US)

(73) Assignee: **MILWAUKEE ELECTRIC TOOL CORPORATION**, Brookfield, WI (US)

(\*\*) Term: **15 Years**

(21) Appl. No.: **29/803,094**

(22) Filed: **Aug. 10, 2021**

(51) **LOC (14) Cl.** ..... **15-03**

(52) **U.S. Cl.**  
USPC ..... **D15/14**

(58) **Field of Classification Search**  
USPC ..... D15/10, 14-18; 56/12.8, 12.7, 13.4, 56/16.7, 17.5, 202, 254, 255, 294, 11.4,  
(Continued)

(56) **References Cited**

**U.S. PATENT DOCUMENTS**

D304,728 S \* 11/1989 Piorowski ..... D15/16  
D311,009 S \* 10/1990 Wilkins ..... D15/17  
(Continued)

**FOREIGN PATENT DOCUMENTS**

CN 210202483 U 3/2020  
CN 211671393 U 10/2020  
(Continued)

*Primary Examiner* — Mark A Goodwin

(74) *Attorney, Agent, or Firm* — Michael Best & Friedrich LLP

(57) **CLAIM**

We claim the ornamental design for a lawn mower, as shown and described.

**DESCRIPTION**

FIG. 1 is a top perspective view of a lawn mower.  
FIG. 2 is a bottom perspective view of the lawn mower of FIG. 1.  
FIG. 3 is a front elevation view of the lawn mower of FIG. 1.  
FIG. 4 is a rear elevation view of the lawn mower of FIG. 1.  
FIG. 5 is a right-side elevation view of the lawn mower of FIG. 1.  
FIG. 6 is a left-side elevation view of the lawn mower of FIG. 1.  
FIG. 7 is a top plan view of the lawn mower of FIG. 1.  
FIG. 8 is a bottom plan view of the lawn mower of FIG. 1.  
FIG. 9 is a detailed top perspective view of a front portion of the lawn mower of FIG. 1.  
FIG. 10 is a detailed front elevation view of a front portion of the lawn mower of FIG. 1.  
FIG. 11 is a detailed bottom plan view of a front portion of the lawn mower of FIG. 1.  
FIG. 12 is a detailed top perspective view of a handle portion of the lawn mower of FIG. 1.  
FIG. 13 is a detailed front elevation view of a handle portion of the lawn mower of FIG. 1.  
FIG. 14 is a detailed top plan view of a handle portion of the lawn mower of FIG. 1.  
FIG. 15 is a top perspective view of a lawn mower.  
FIG. 16 is a bottom perspective view of the lawn mower of FIG. 15.  
FIG. 17 is a front elevation view of the lawn mower of FIG. 15.  
FIG. 18 is a rear elevation view of the lawn mower of FIG. 15.  
FIG. 19 is a right-side elevation view of the lawn mower of FIG. 15.  
FIG. 20 is a left-side elevation view of the lawn mower of FIG. 15.  
FIG. 21 is a top plan view of the lawn mower of FIG. 15.  
FIG. 22 is a bottom plan view of the lawn mower of FIG. 15.

(Continued)

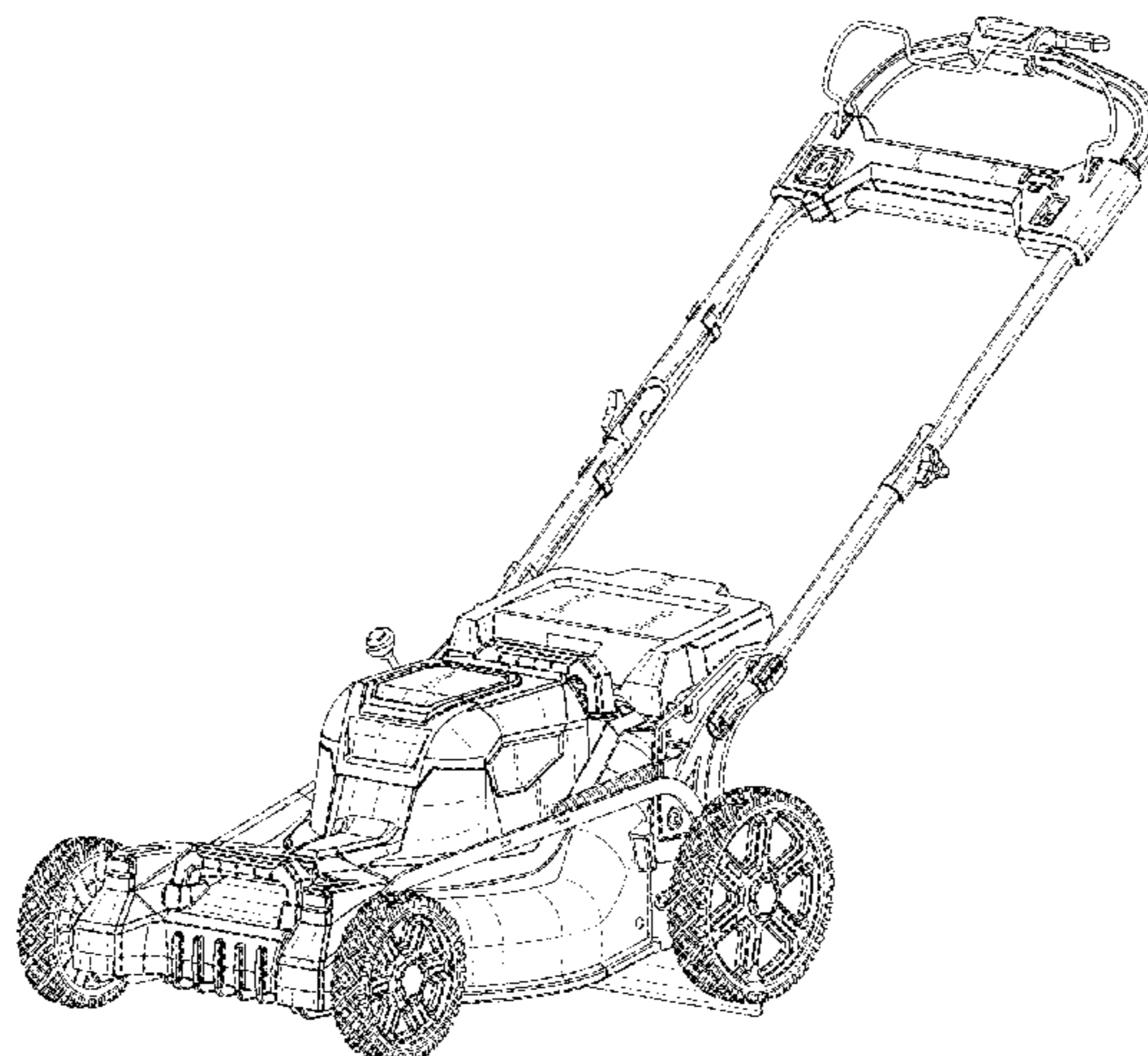


FIG. 23 is a detailed top perspective view of a front portion of the lawn mower of FIG. 15.  
 FIG. 24 is a detailed front elevation view of a front portion of the lawn mower of FIG. 15.  
 FIG. 25 is a detailed bottom plan view of a front portion of the lawn mower of FIG. 15.  
 FIG. 26 is a detailed top perspective view of a handle portion of the lawn mower of FIG. 15.  
 FIG. 27 is a detailed front elevation view of a handle portion of the lawn mower of FIG. 15; and,  
 FIG. 28 is a detailed top plan view of a handle portion of the lawn mower of FIG. 15.

**1 Claim, 28 Drawing Sheets**

**(58) Field of Classification Search**

USPC ..... 56/320.1, 320.2, 249, 252, 11.9, 17.1,  
 56/17.4, 295; 280/43.17  
 CPC .... A01D 42/04; A01D 42/00; A01D 2101/00;  
 A01D 34/63; A01D 43/063  
 See application file for complete search history.

**(56) References Cited**

U.S. PATENT DOCUMENTS

D346,810 S \* 5/1994 Schulz ..... D15/14  
 D359,291 S \* 6/1995 Tihonovich ..... D15/14

D390,576 S \* 2/1998 Shimamura ..... D15/14  
 5,910,091 A \* 6/1999 Iida ..... A01D 69/02  
 56/320.1  
 D421,265 S \* 2/2000 Ohsumi ..... D15/14  
 D424,070 S \* 5/2000 Danthois ..... D15/14  
 D450,064 S \* 11/2001 Concari ..... D15/14  
 D489,734 S \* 5/2004 Lin ..... D15/14  
 D544,501 S \* 6/2007 Chung Lee ..... D15/14  
 D600,254 S \* 9/2009 Lindars ..... D15/14  
 D605,667 S \* 12/2009 Peterson ..... D15/14  
 D620,029 S \* 7/2010 Baetica ..... D15/14  
 D627,371 S \* 11/2010 Baetica ..... D15/17  
 D648,354 S \* 11/2011 Hattori ..... D15/17  
 8,046,980 B1 \* 11/2011 Schroeck ..... A01D 43/16  
 56/12.7  
 D652,846 S \* 1/2012 Stratford ..... D15/14  
 D653,265 S \* 1/2012 Stratford ..... D15/14  
 D665,823 S \* 8/2012 Hannig ..... D15/14  
 D834,071 S \* 11/2018 Näslund ..... D15/14  
 D834,072 S \* 11/2018 Näslund ..... D15/14  
 2011/0022267 A1 1/2011 Murphy  
 2016/0338266 A1 11/2016 Yamaoka et al.  
 2018/0160620 A1 6/2018 Wang et al.  
 2019/0269067 A1 9/2019 Fukano et al.  
 2020/0375095 A1 12/2020 Koto et al.

FOREIGN PATENT DOCUMENTS

JP 2016187978 A1 11/2016  
 WO 2010024696 A1 3/2010  
 WO 2014062176 A1 4/2014

\* cited by examiner

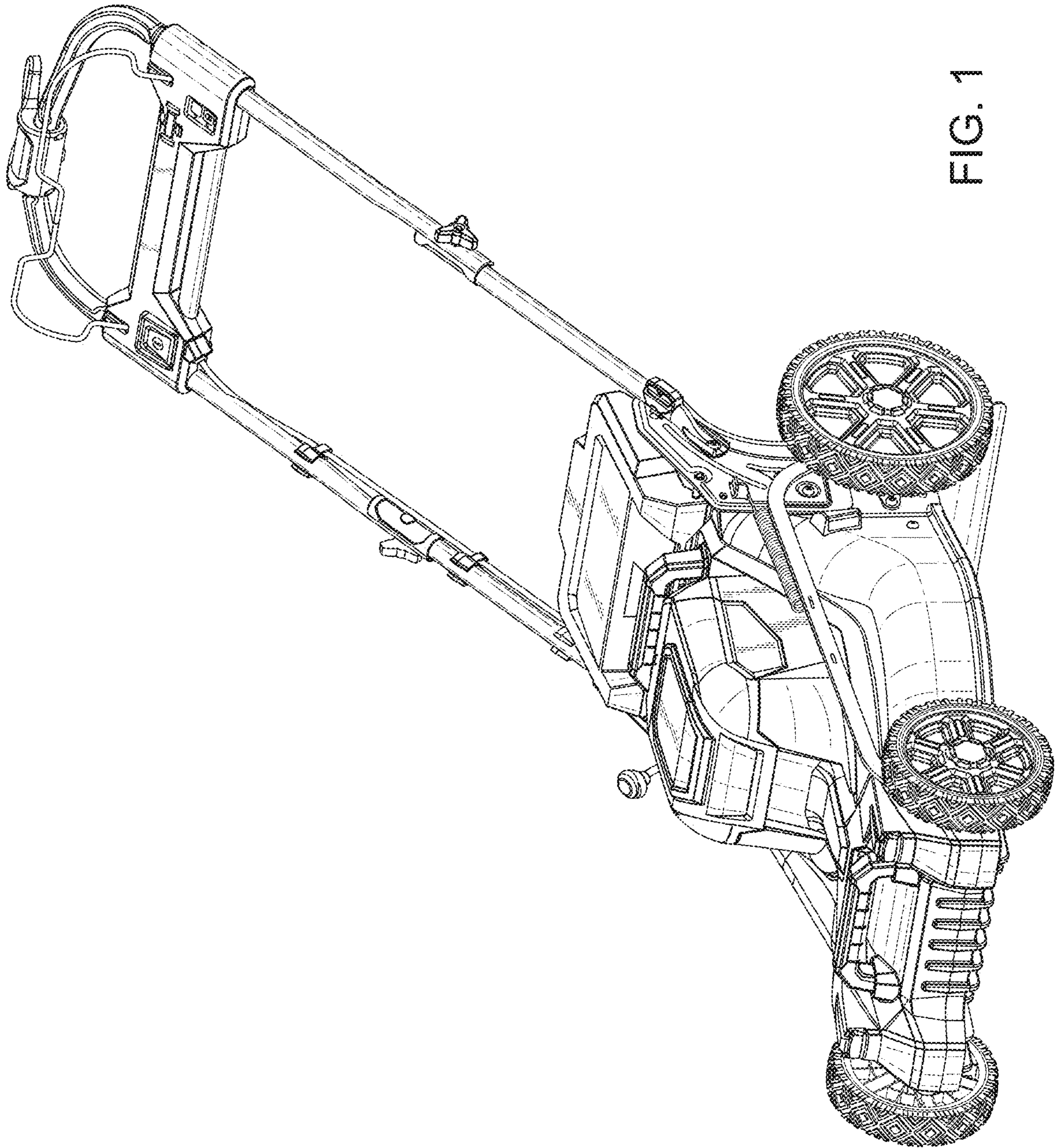


FIG. 1

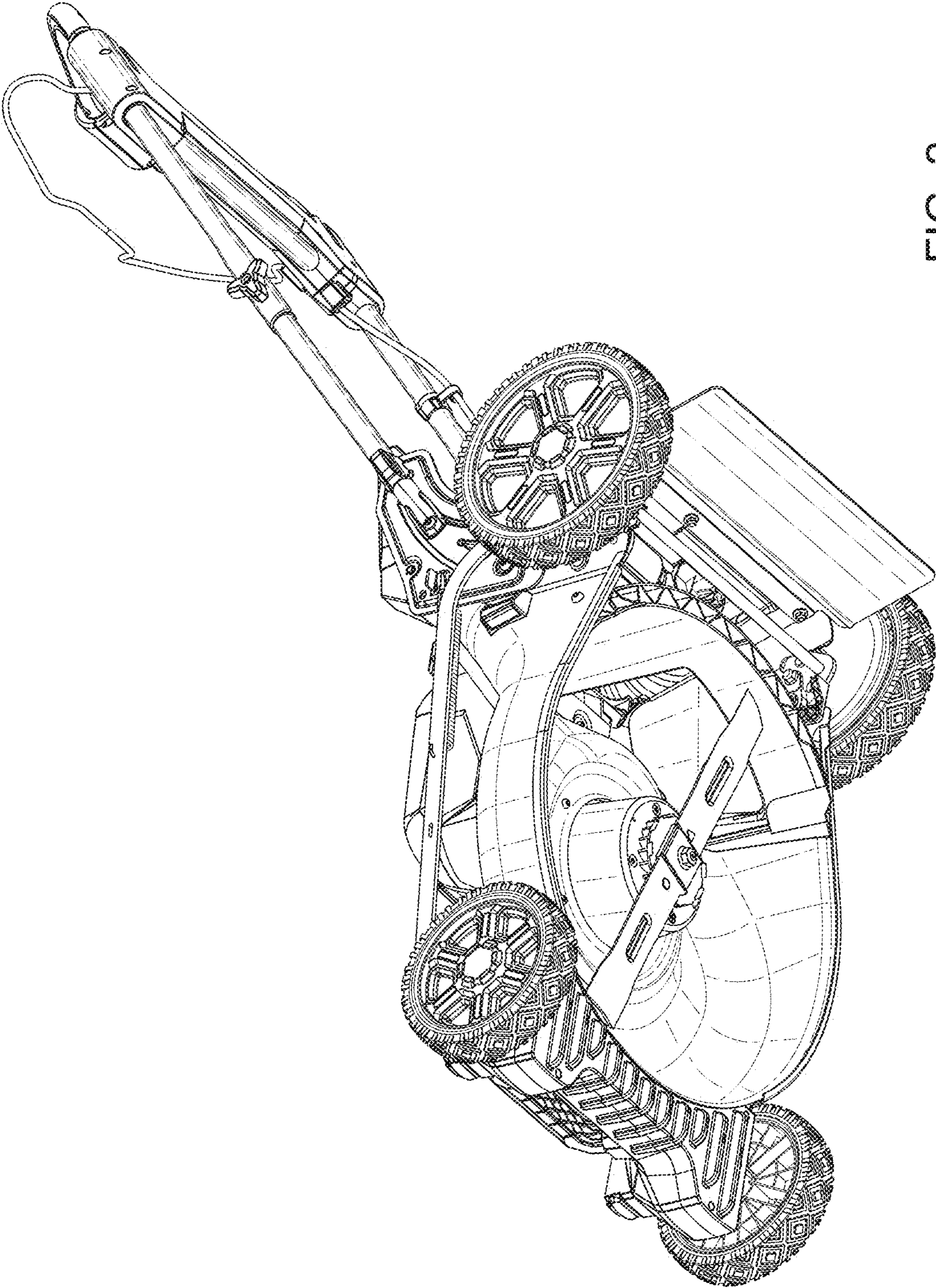


FIG. 2

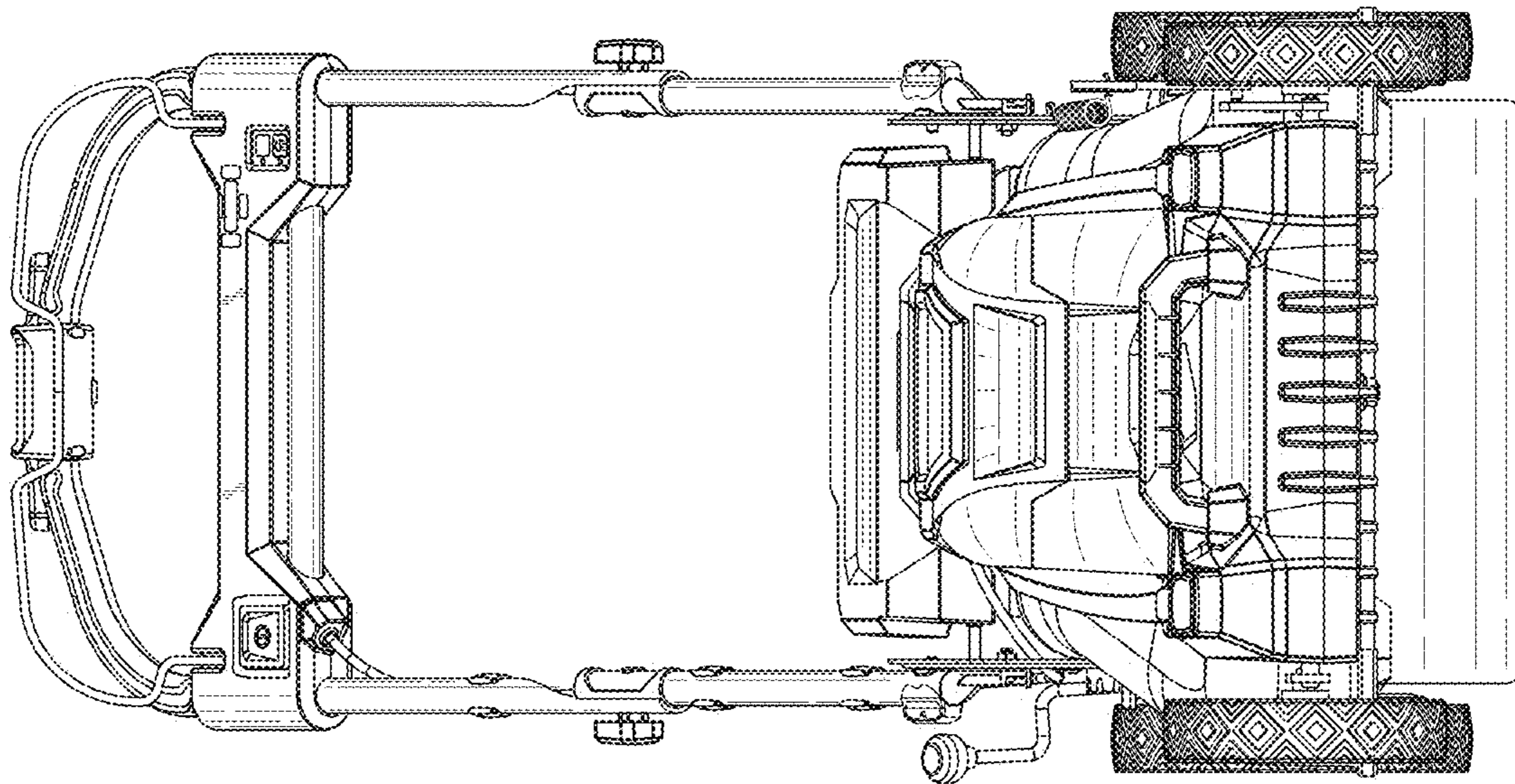


FIG. 3

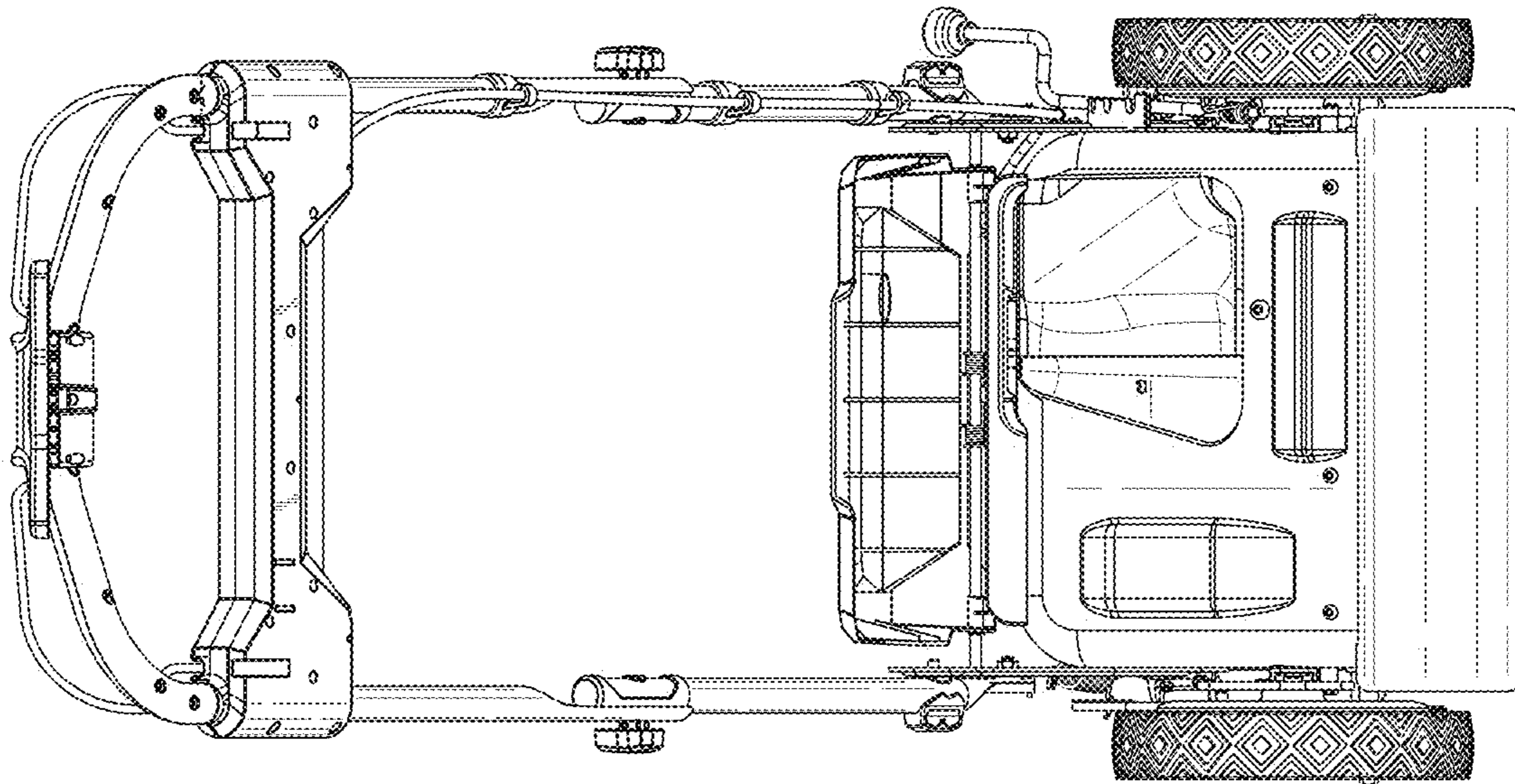


FIG. 4

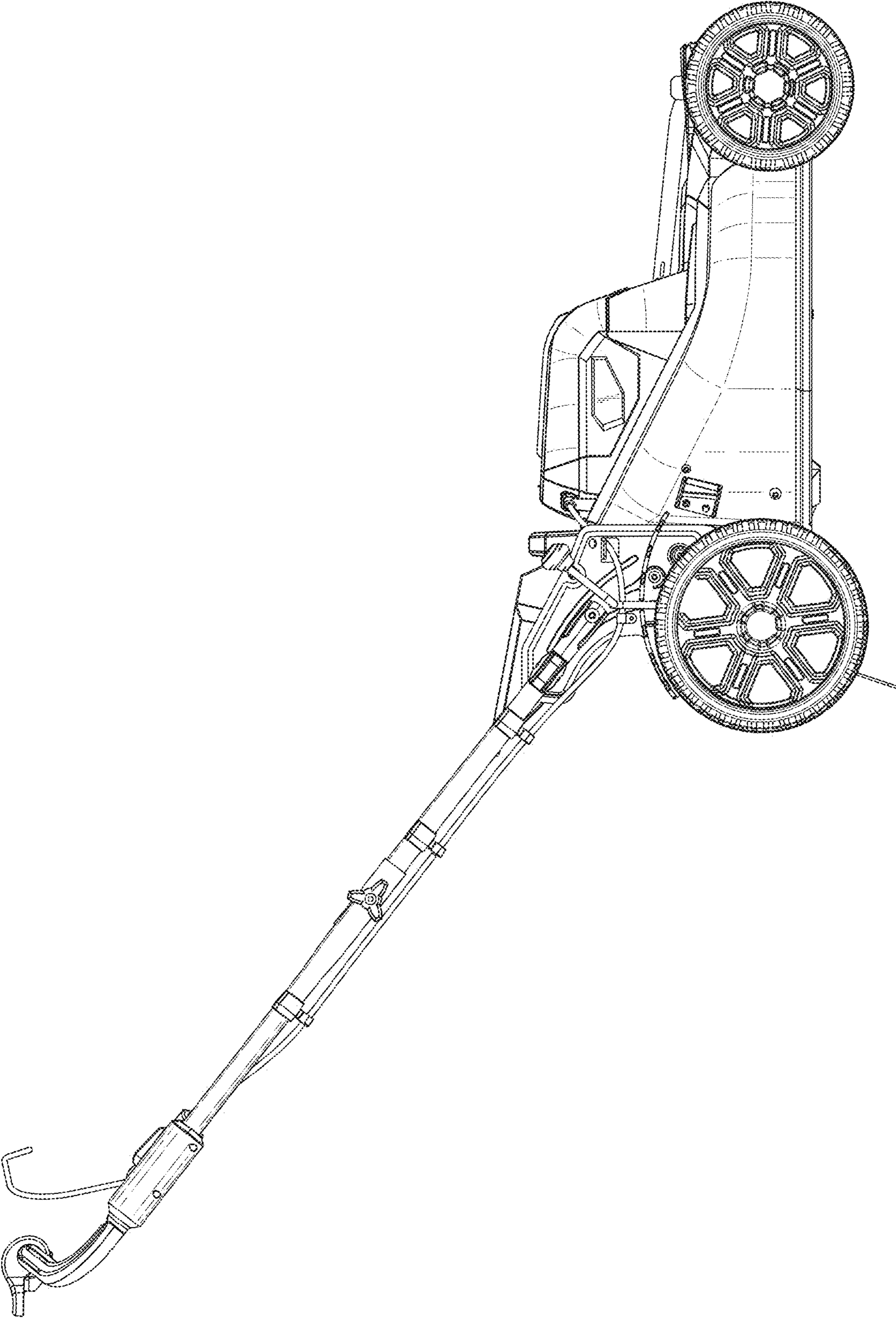


FIG. 5

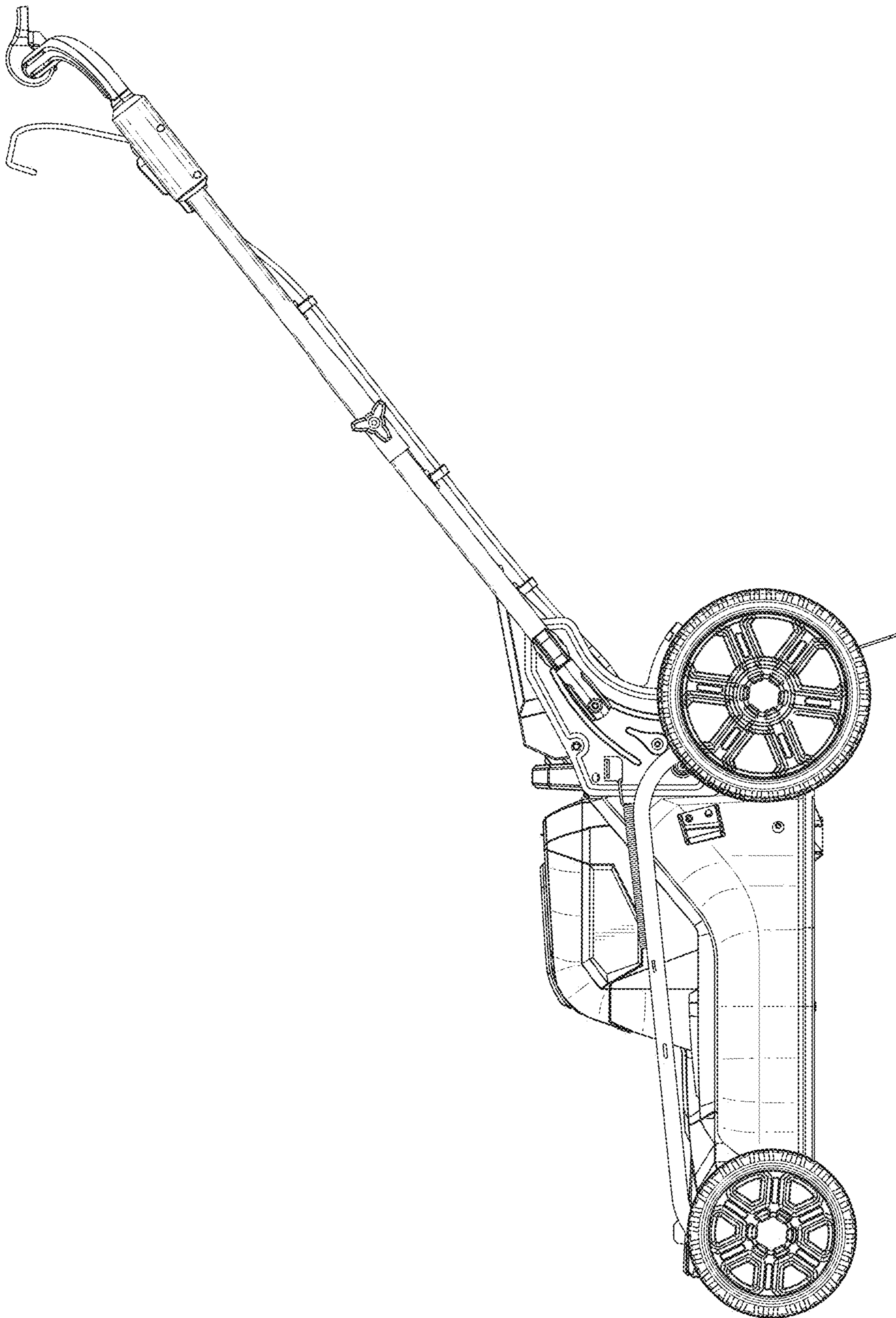


FIG. 6



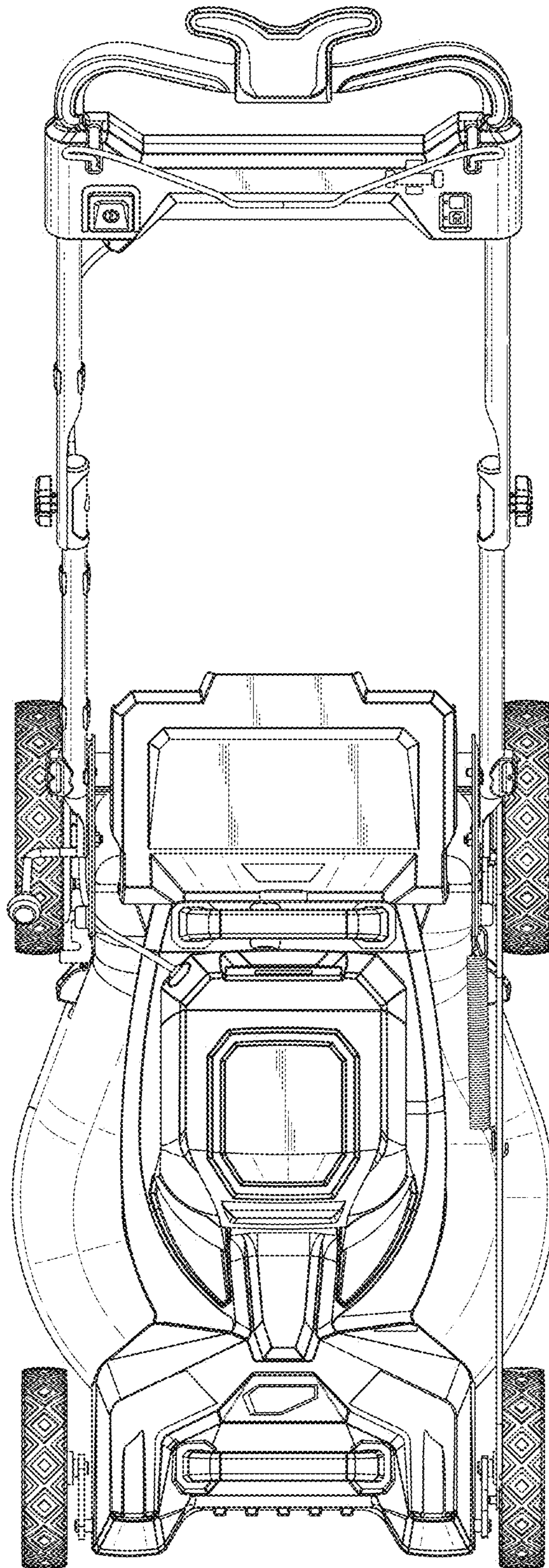


FIG. 7

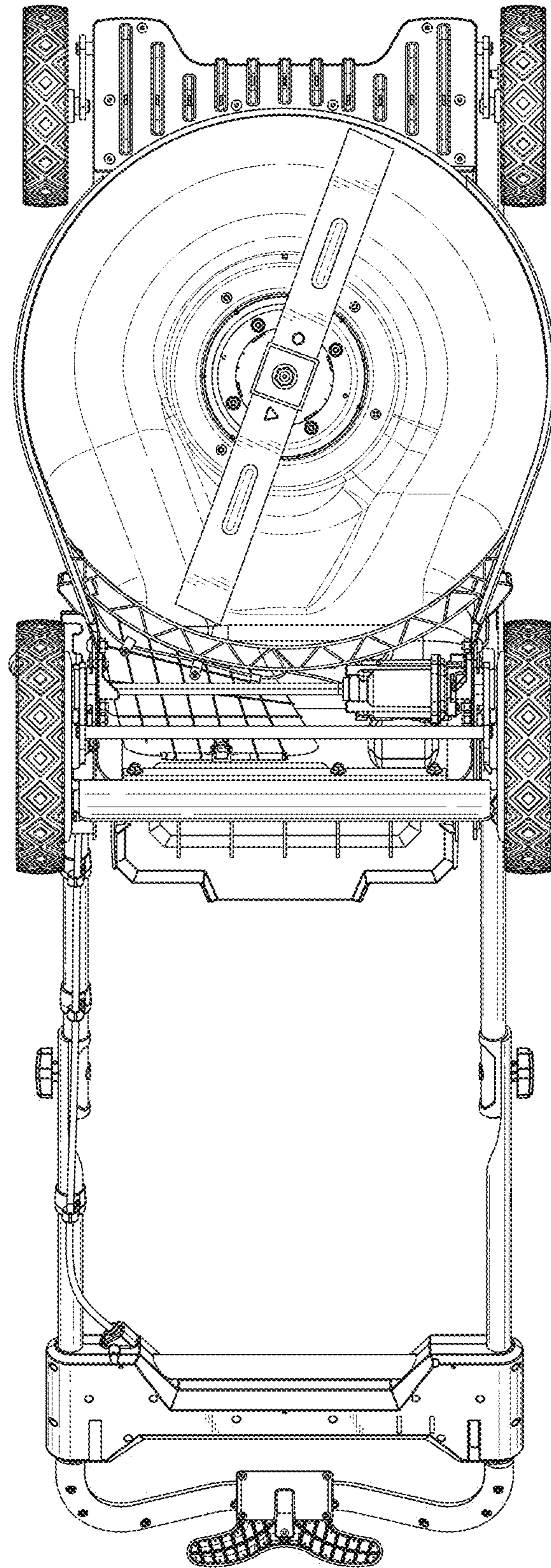


FIG. 8

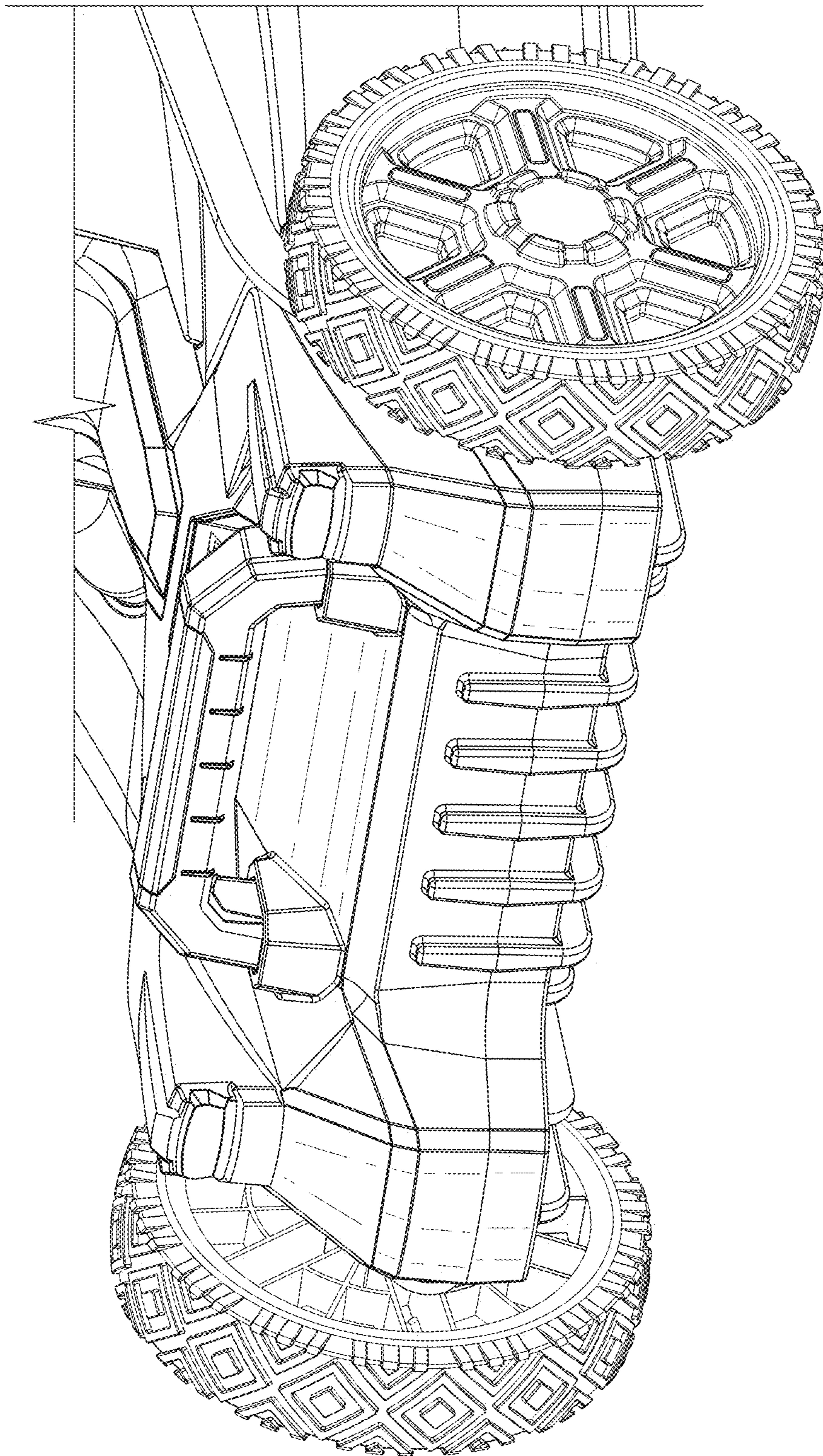


FIG. 9

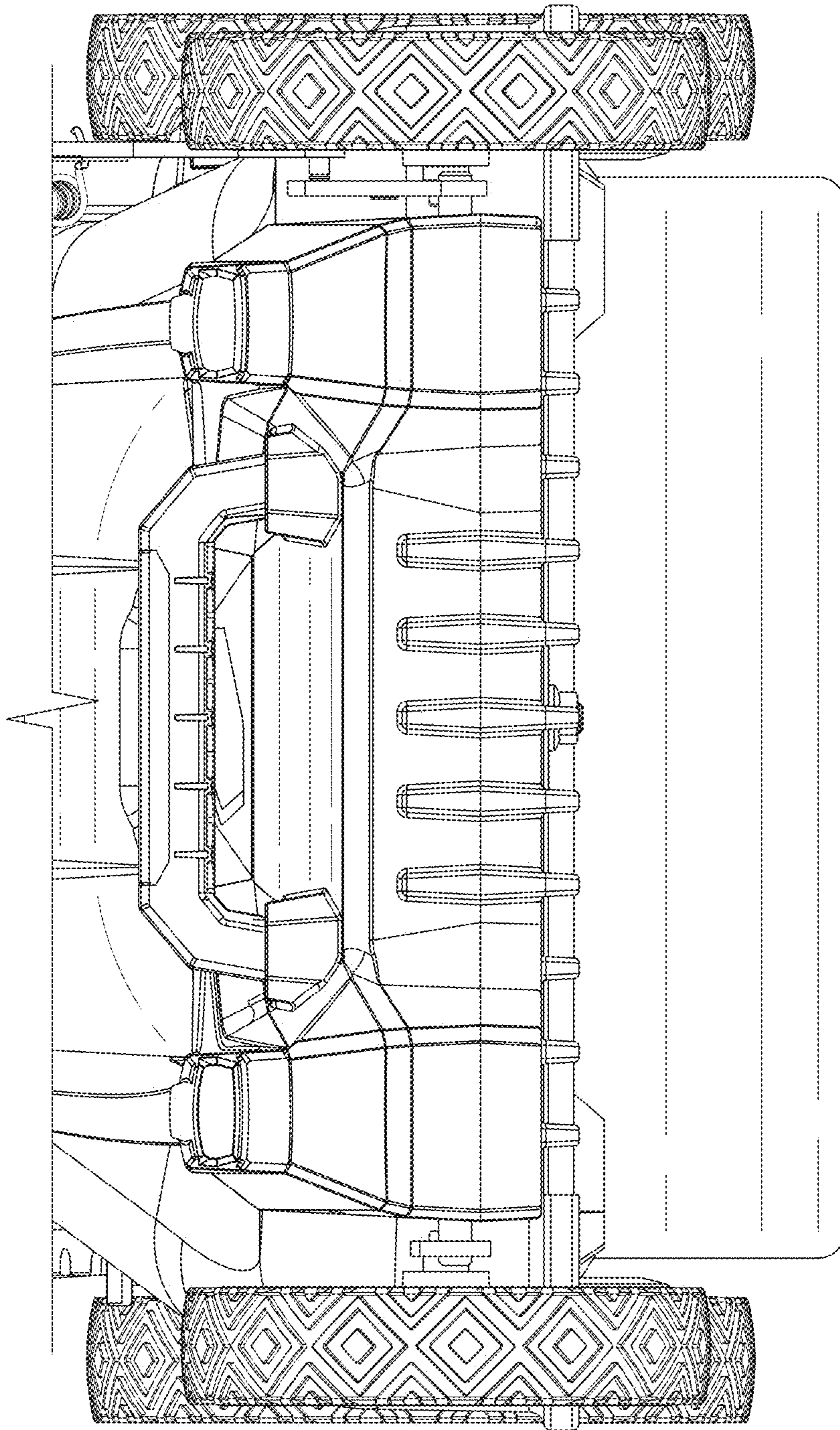


FIG. 10

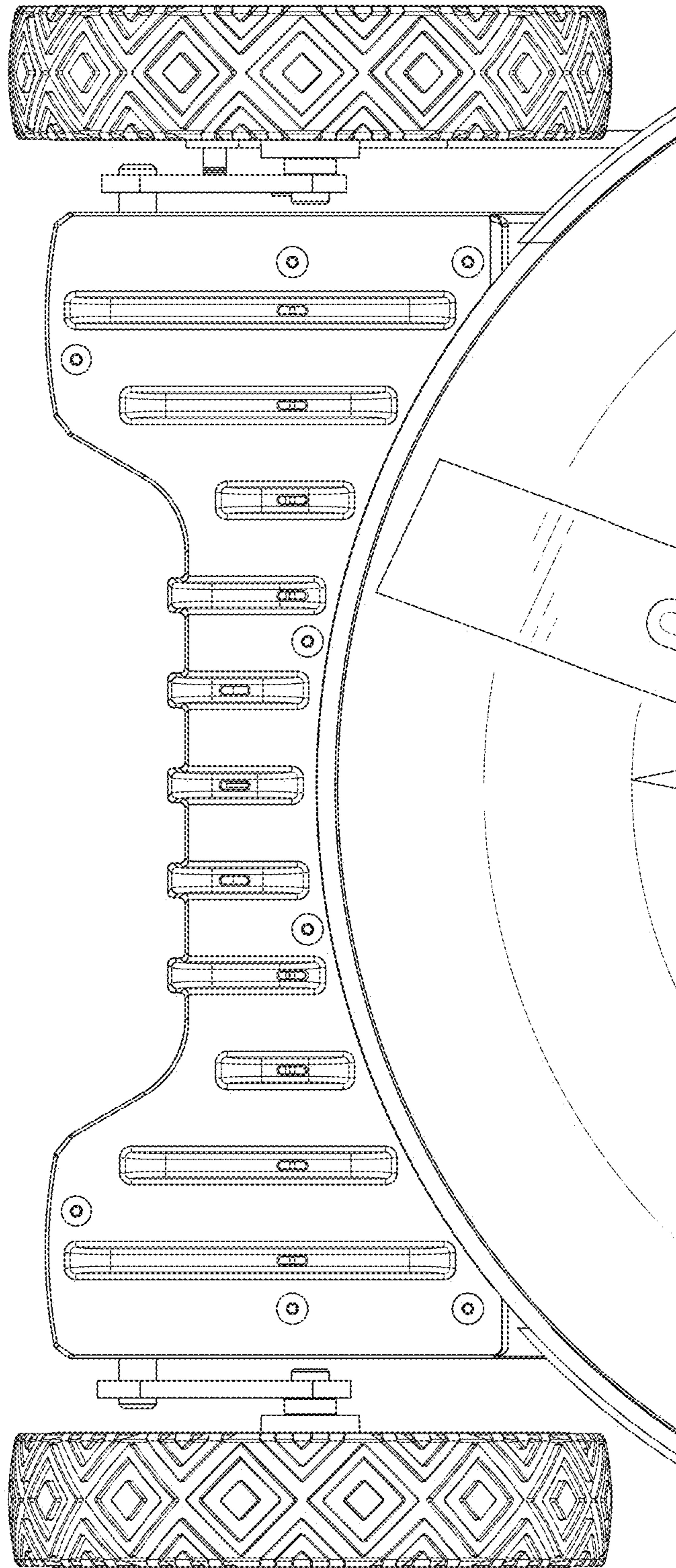


FIG. 11

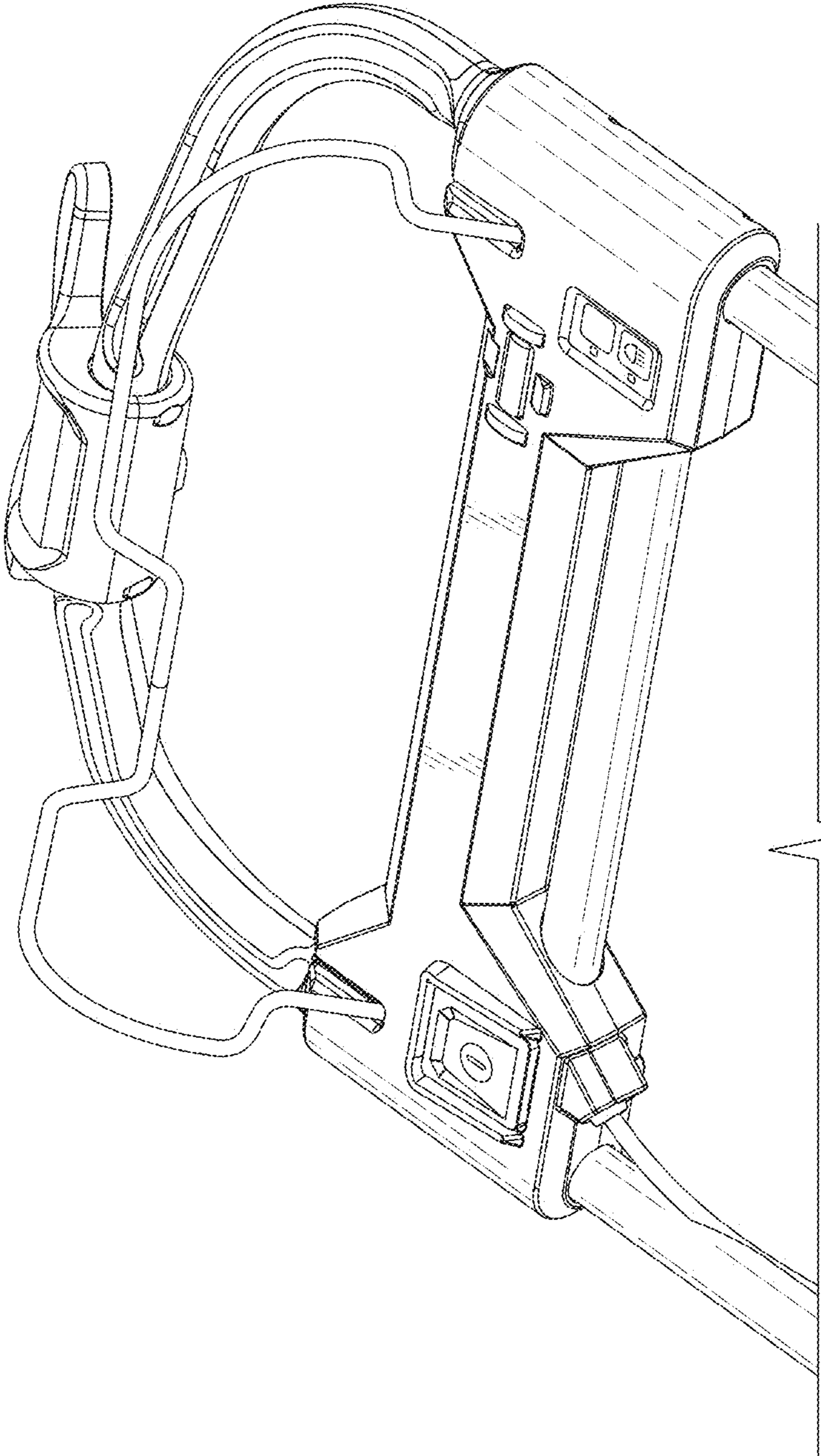


FIG. 12

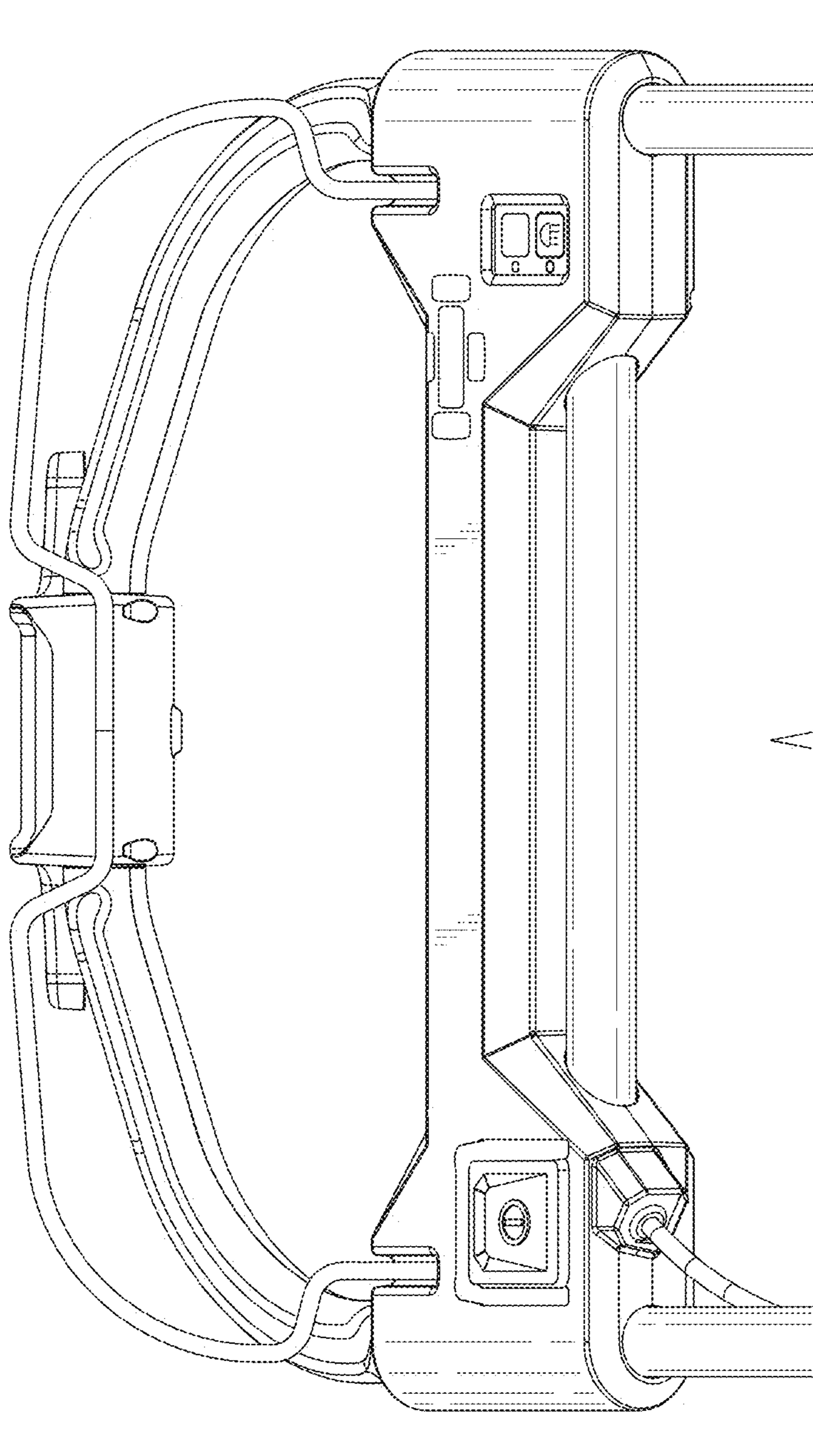


FIG. 13

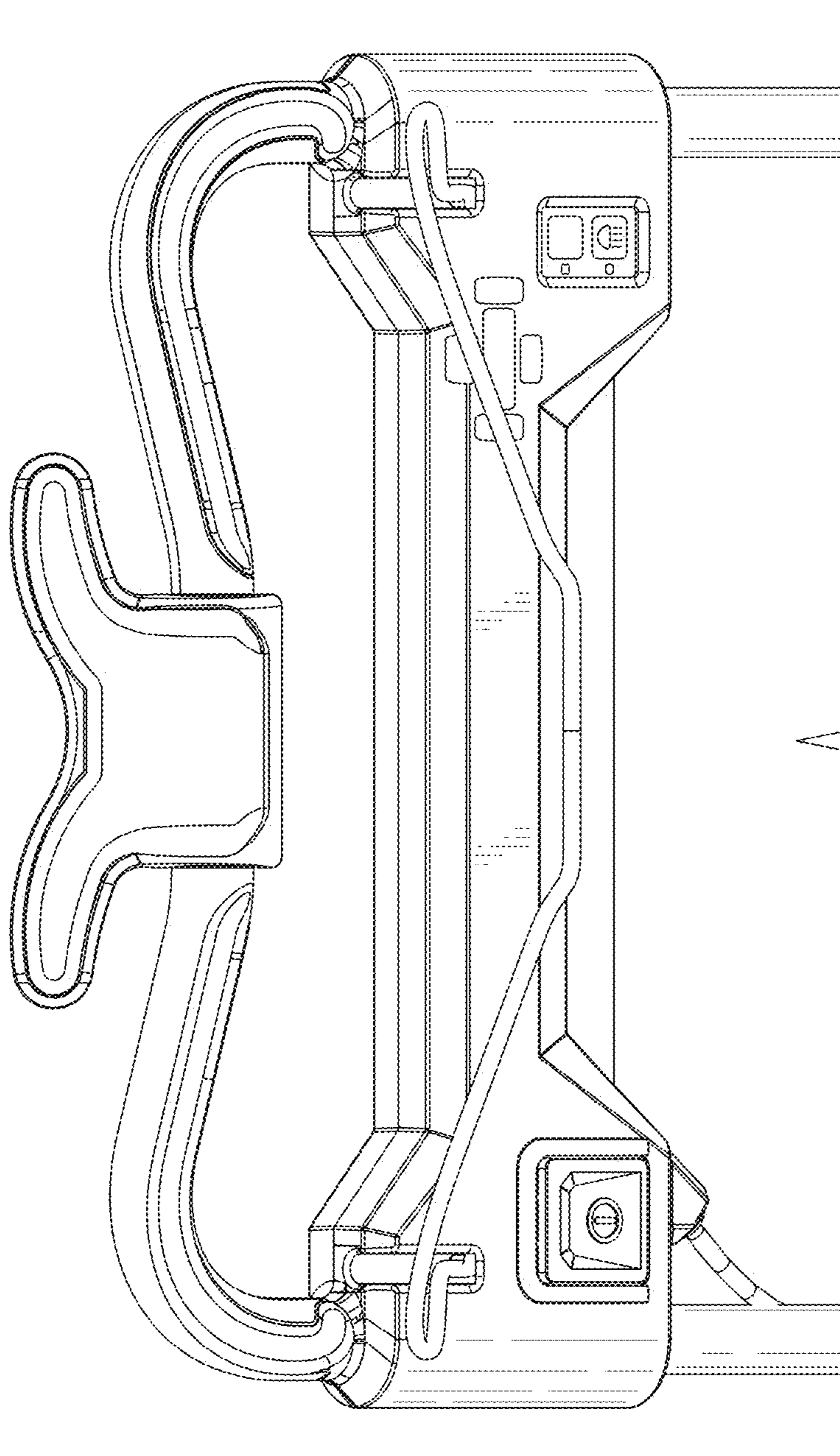


FIG. 14



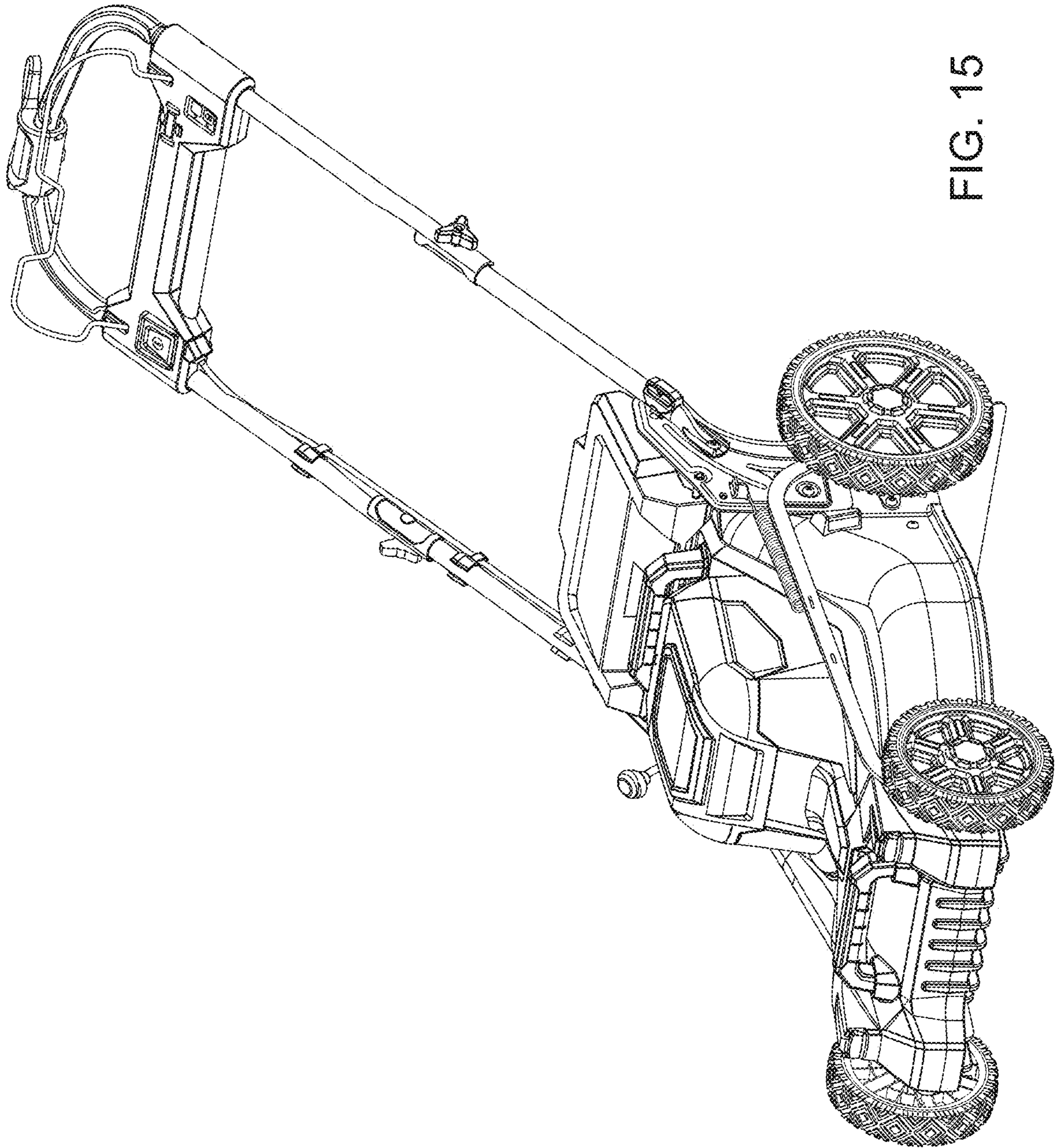


FIG. 15

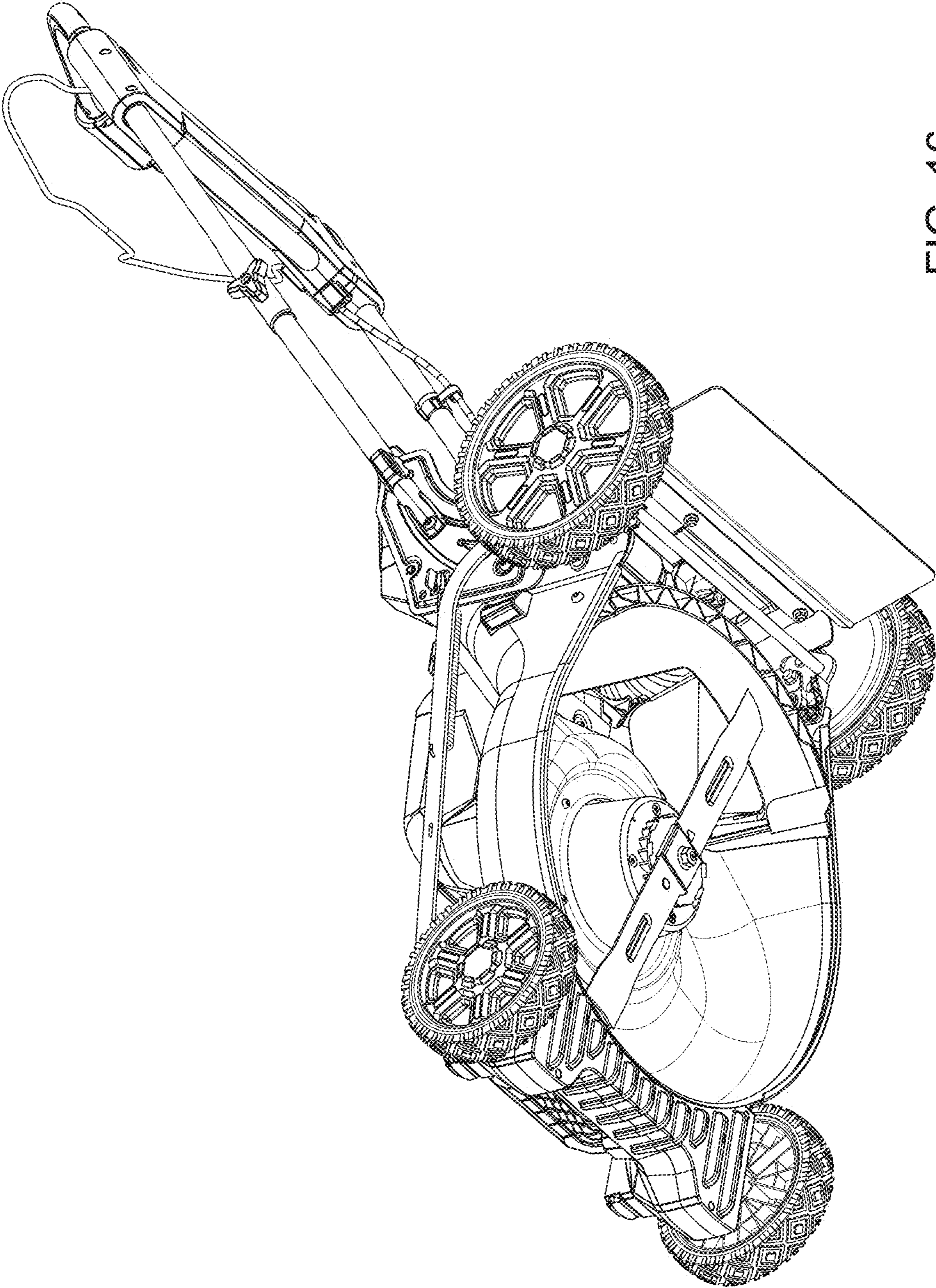


FIG. 16

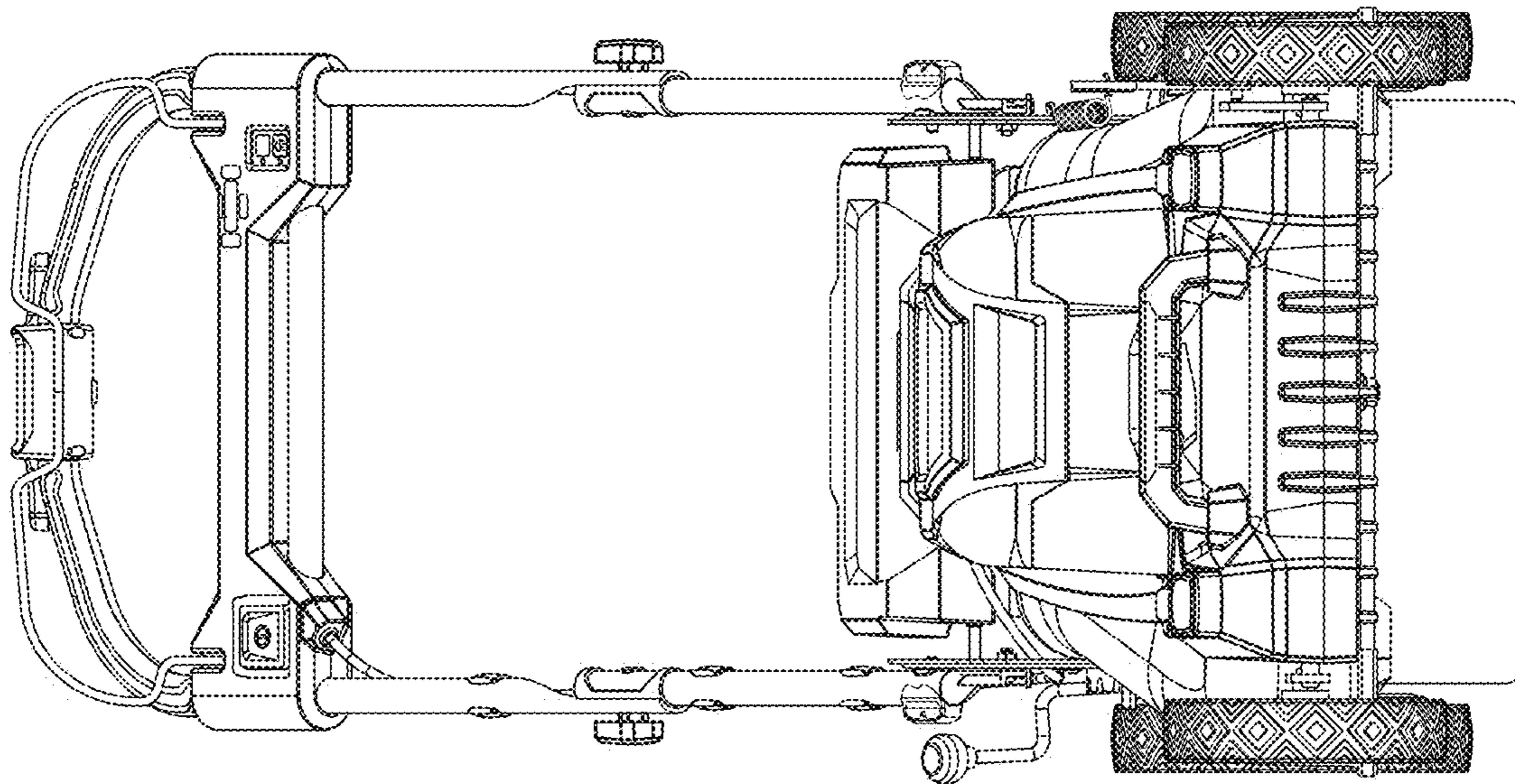


FIG. 17

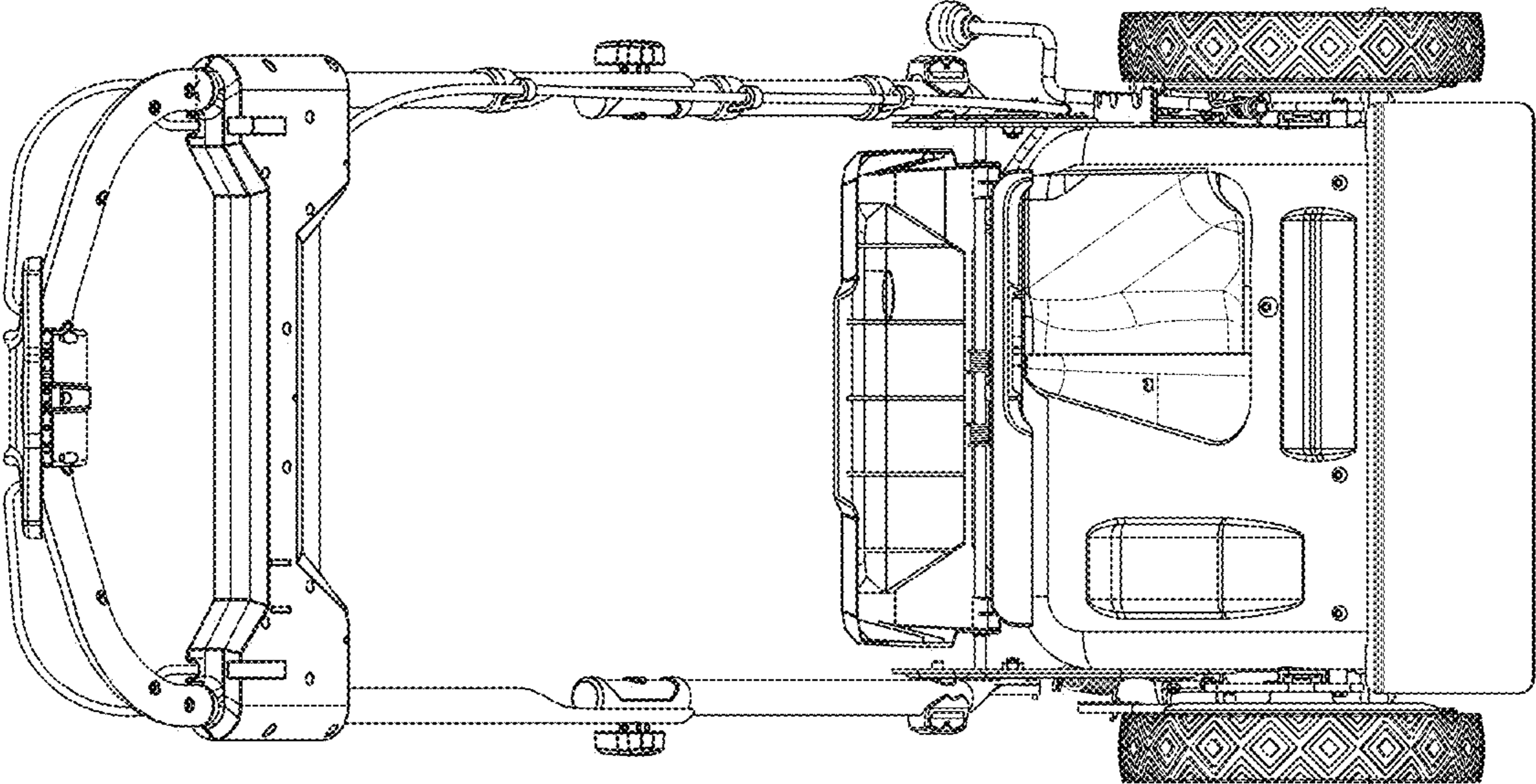


FIG. 18

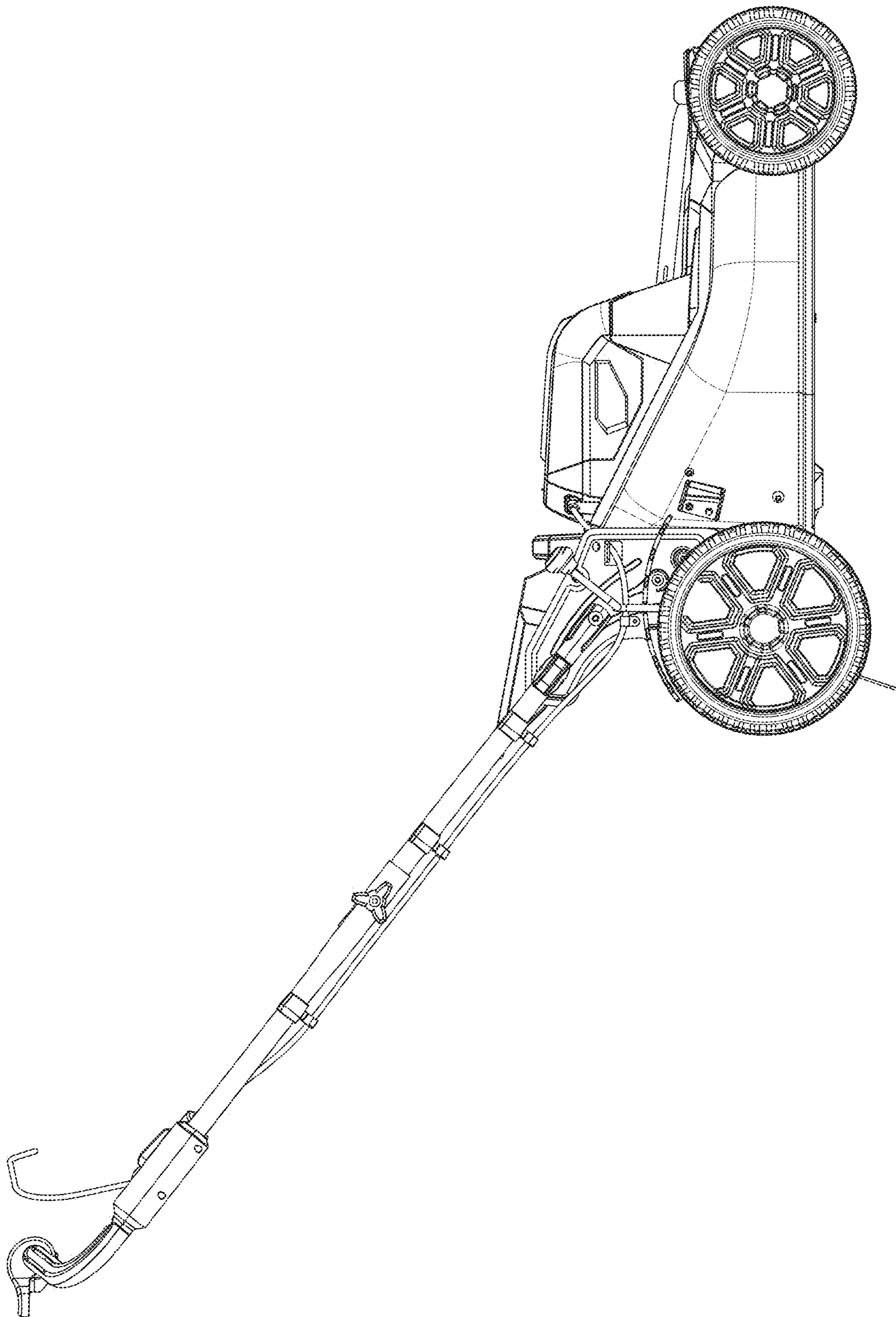


FIG. 19

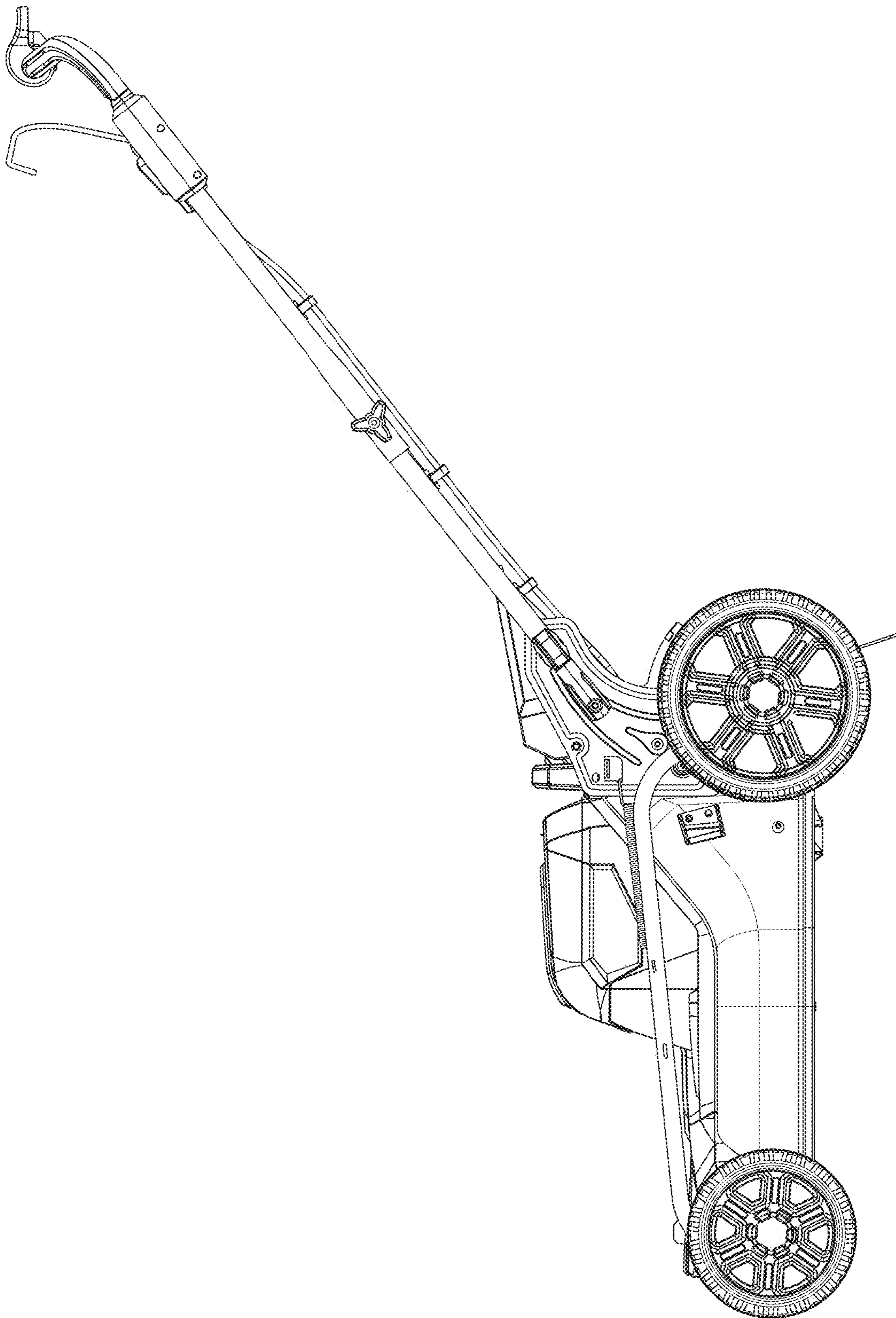


FIG. 20

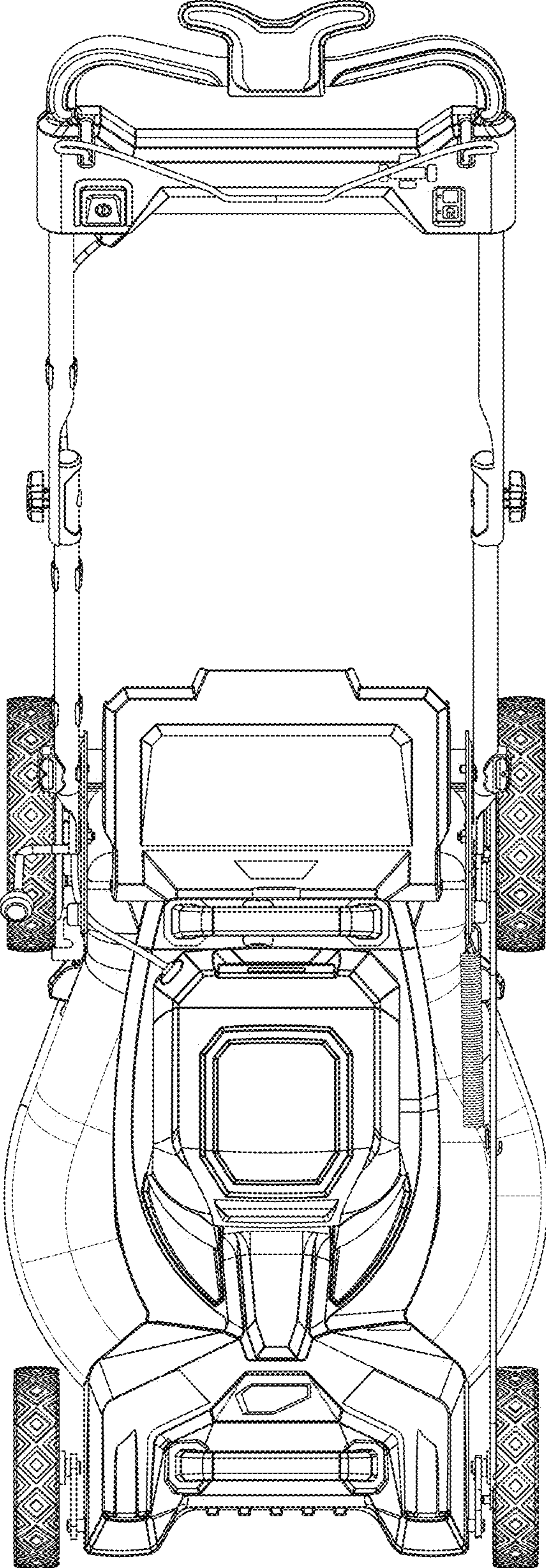


FIG. 21

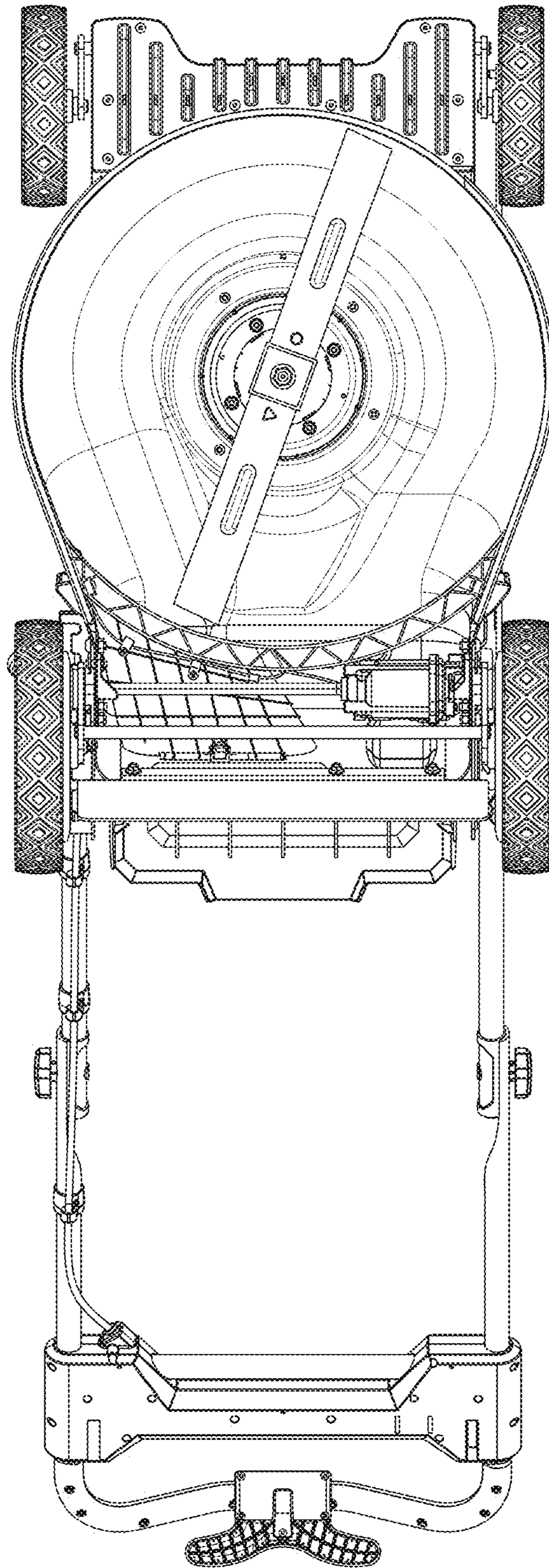


FIG. 22



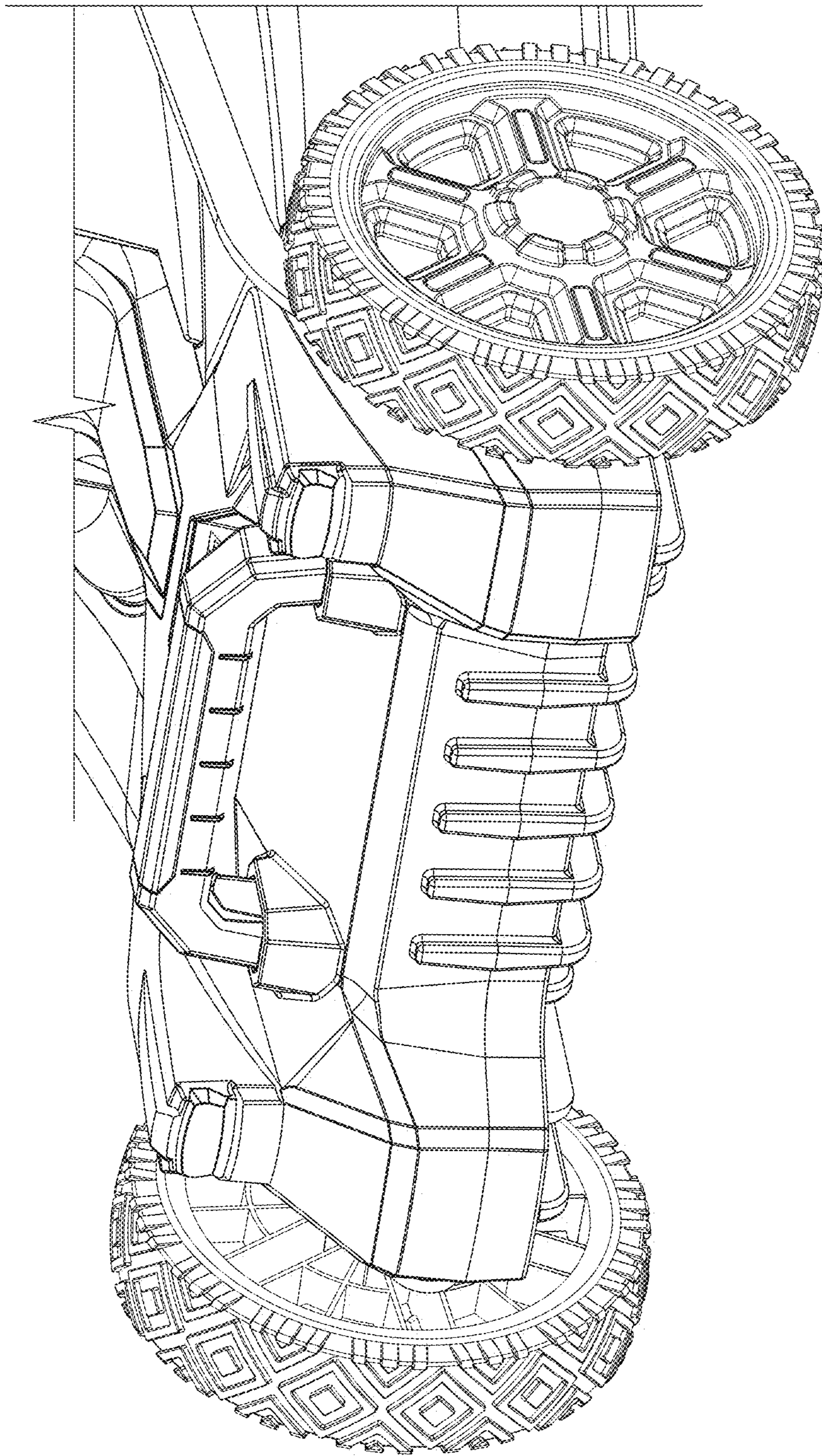


FIG. 23

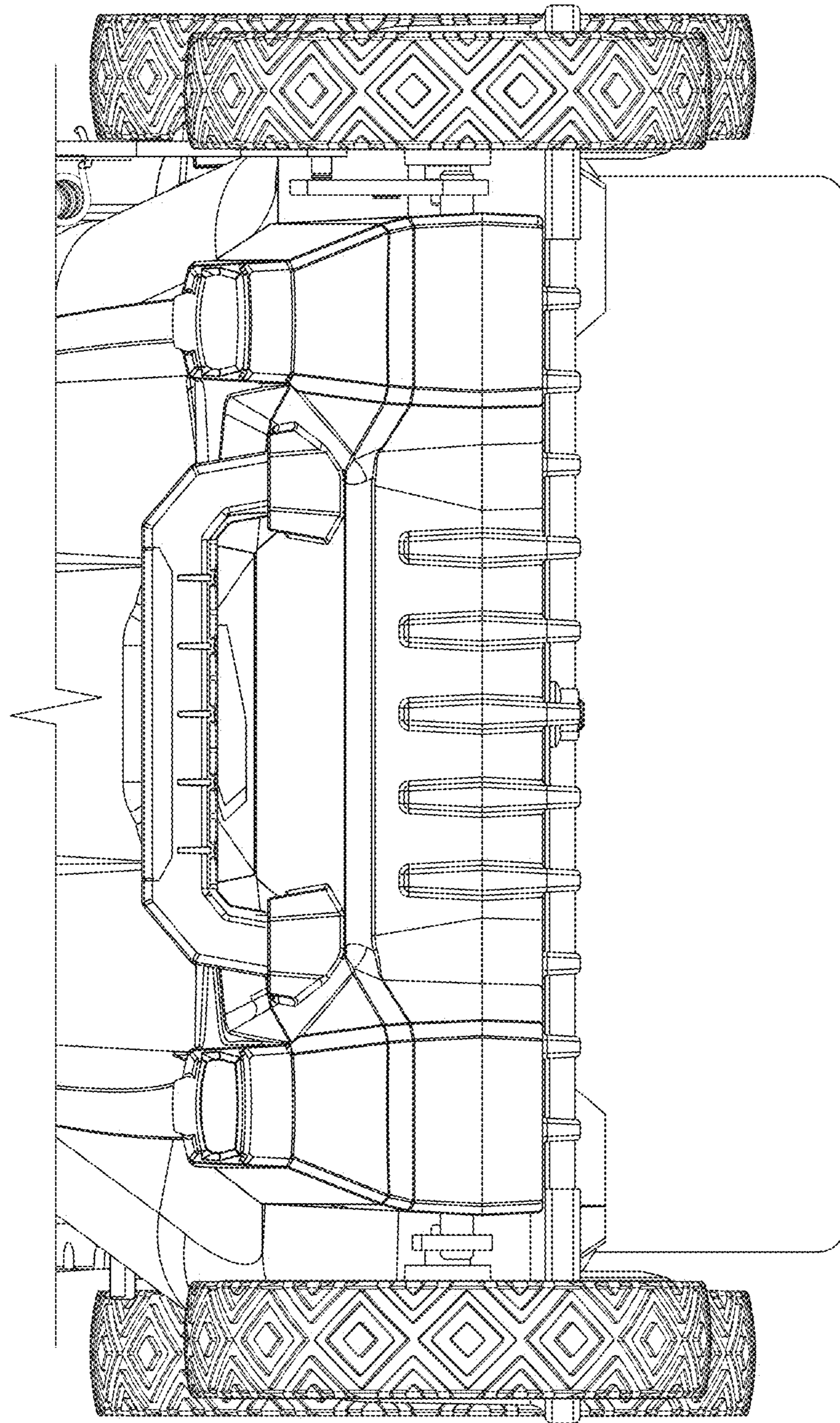


FIG. 24

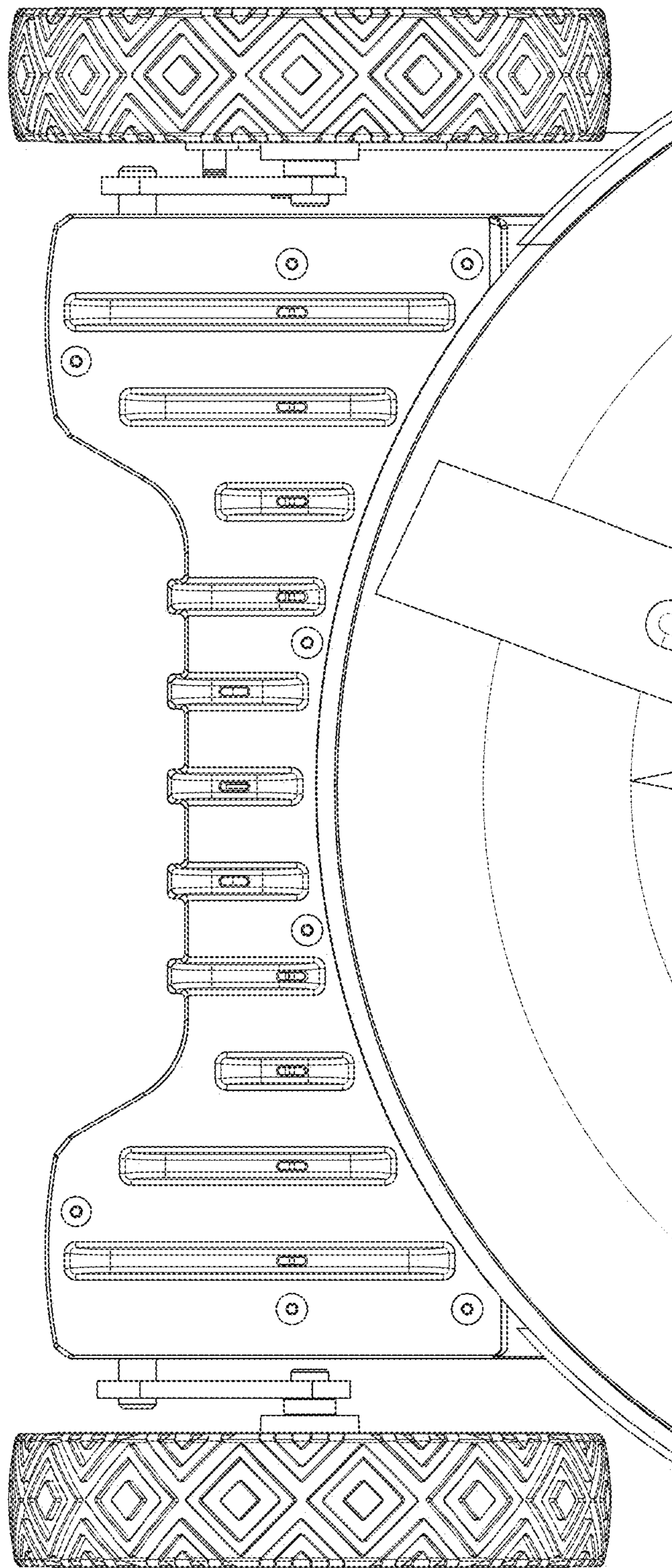


FIG. 25

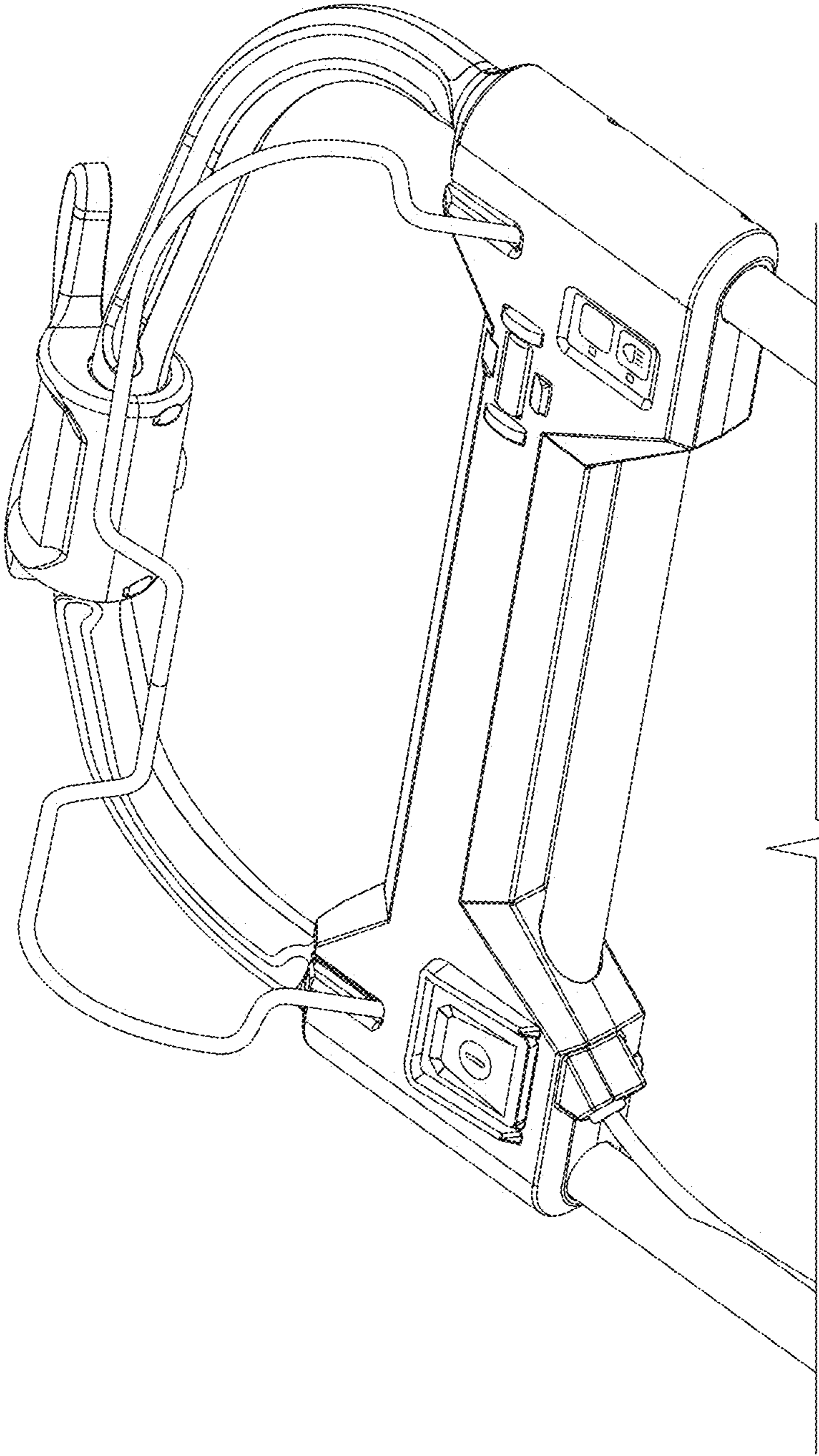


FIG. 26

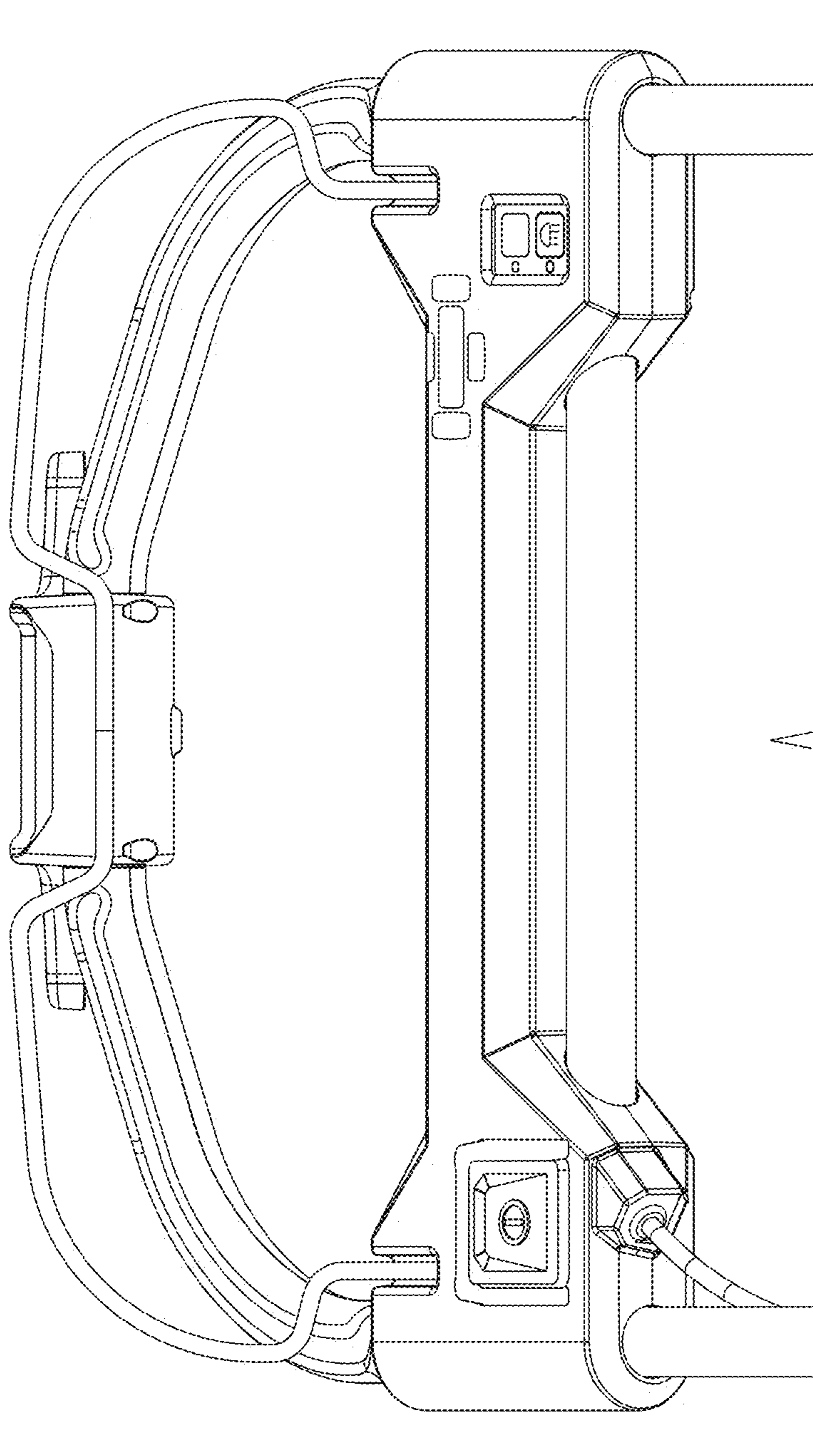


FIG. 27

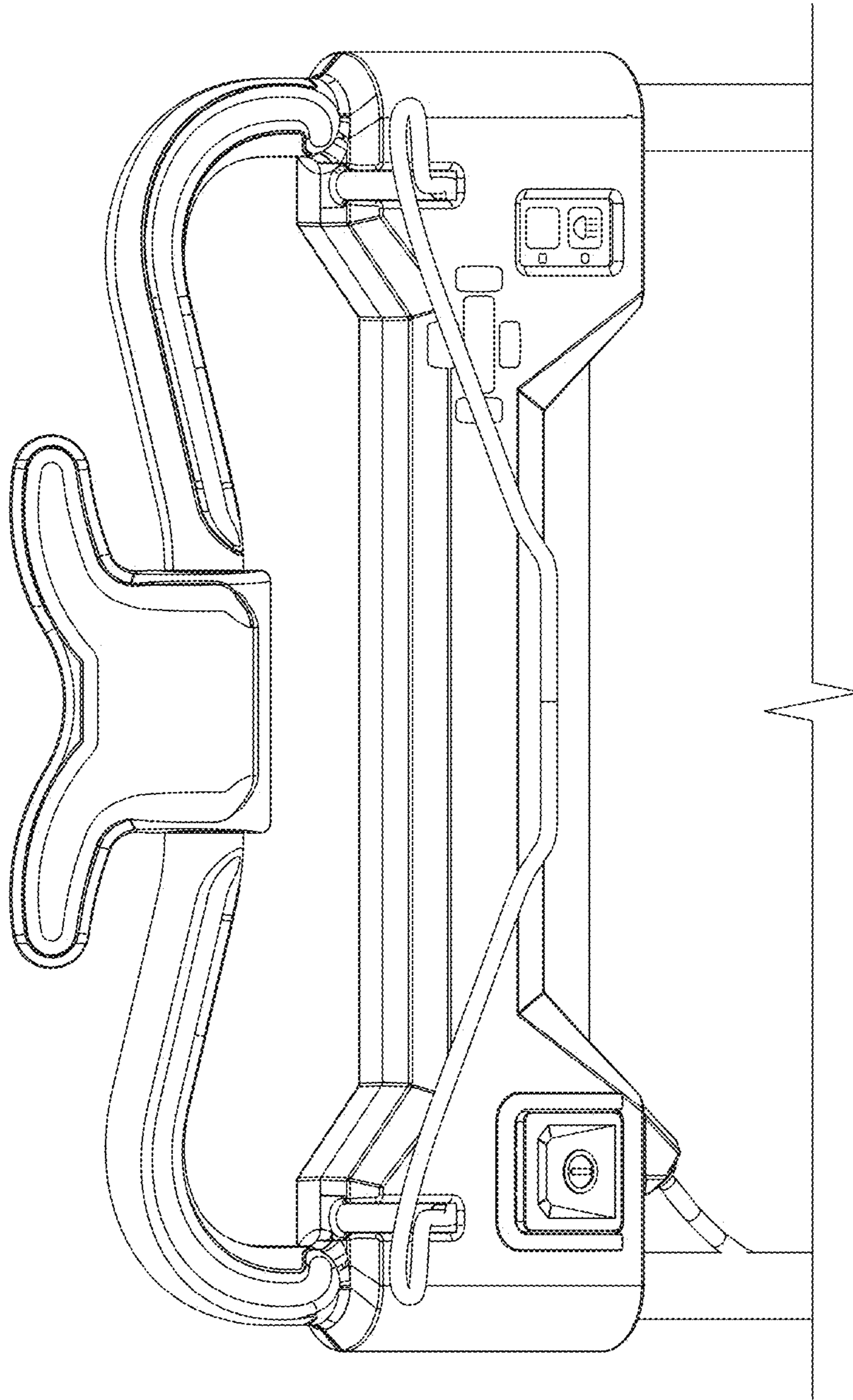


FIG. 28