



US00D980874S

(12) **United States Design Patent** (10) **Patent No.:** **US D980,874 S**  
**Raber et al.** (45) **Date of Patent:** **\*\* Mar. 14, 2023**

(54) **ROBOTIC MOWER BODY**  
 (71) Applicant: **MTD Products Inc**, Valley City, OH (US)  
 (72) Inventors: **Mark Raber**, Seville, OH (US); **Ryan Cmich**, Sharon Township, OH (US)  
 (73) Assignee: **MTD PRODUCTS INC**, Valley City, OH (US)  
 (\*\*) Term: **15 Years**

7,079,923	B2	7/2006	Abramson et al.
7,444,206	B2	10/2008	Abramson et al.
7,613,543	B2	11/2009	Petersson et al.
7,668,631	B2	2/2010	Bernini
7,729,801	B2	6/2010	Abramson
7,769,490	B2	8/2010	Abramson et al.
8,046,103	B2	10/2011	Abramson et al.
8,239,992	B2	8/2012	Schnittman et al.
D678,352	S *	3/2013	Maeda ..... D15/17
D679,294	S *	4/2013	Tajik ..... D15/17
D679,295	S *	4/2013	Tajik ..... D15/17
D681,065	S *	4/2013	Maeda ..... D15/17
8,428,776	B2	4/2013	Letsky
8,452,450	B2	5/2013	Dooley et al.
D688,276	S *	8/2013	Naslund ..... D15/17
8,532,822	B2	9/2013	Abramson et al.

(21) Appl. No.: **29/800,821**

(22) Filed: **Jul. 23, 2021**

(51) **LOC (14) Cl.** ..... **15-03**

(52) **U.S. Cl.**  
USPC ..... **D15/14; D15/17**

(58) **Field of Classification Search**  
 USPC ..... D15/14, 17, 18; 56/11.9, 17.5, 13.4, 56/12.8, 16.7, 202, 255, 294, 295, 320.1, 56/320.2; 180/900, 89.1, 89.12  
 CPC .... A01D 34/008; A01D 34/81; A01D 34/416; A01D 34/4166; A01D 34/4167; A01D 34/87; A01D 34/90; B60L 1/003; B60L 3/0061; B60L 11/1803; B60L 11/1805; B60L 11/1877; B60L 15/20; B60L 2260/28; B60L 2200/40; B60L 2220/16; B60L 2220/46; B60L 2240/36; B60L 2240/421; A01G 3/04; A01G 3/0435  
 See application file for complete search history.

(56) **References Cited**

**U.S. PATENT DOCUMENTS**

5,204,814	A	4/1993	Noonan et al.
6,321,515	B1	11/2001	Colens
6,327,741	B1	12/2001	Schaap
6,339,735	B1	1/2002	Peless et al.
6,493,613	B2	12/2002	Peless et al.

**FOREIGN PATENT DOCUMENTS**

EP	2852029	A1	3/2015
EP	2656718	B1	7/2018
EP	2648307	B1	8/2019

*Primary Examiner* — Mark A Goodwin  
 (74) *Attorney, Agent, or Firm* — Wegman Hessler

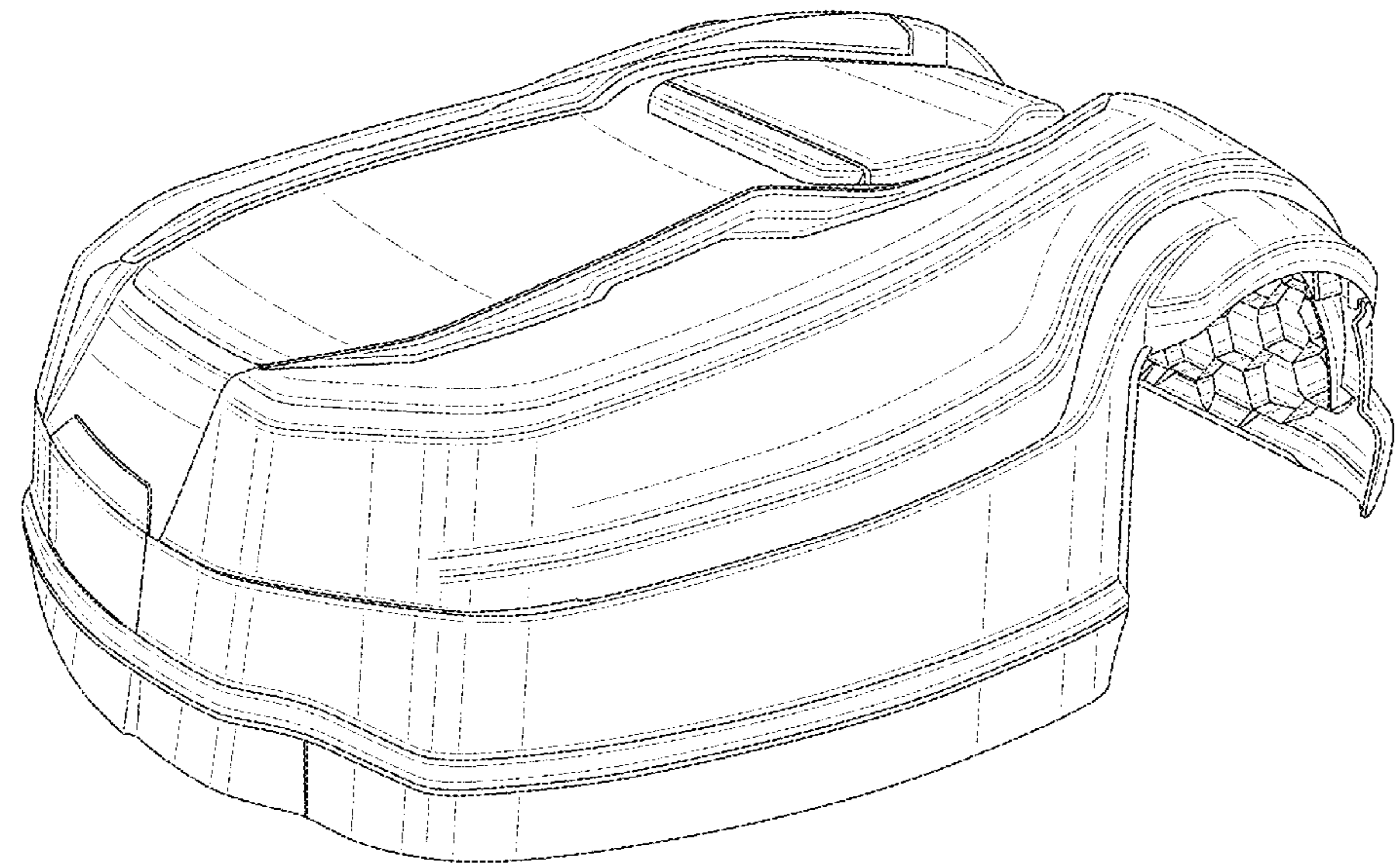
(57) **CLAIM**

We claim the ornamental design for a robotic mower body, as shown and described.

**DESCRIPTION**

FIG. 1 is a top front perspective view of a robotic mower body showing our new design;  
 FIG. 2 is a front view thereof;  
 FIG. 3 is; a rear view thereof  
 FIG. 4 is a right side view thereof;  
 FIG. 5 is a left side view thereof;  
 FIG. 6 is a top view thereof; and,  
 FIG. 7 is a bottom view thereof.  
 In the drawings, any broken lines depict environmental subject matter only that forms no part of the claimed design.

**1 Claim, 7 Drawing Sheets**



(56)

**References Cited**

## U.S. PATENT DOCUMENTS

8,600,582	B2	12/2013	Bernini	
8,676,378	B2	3/2014	Tian et al.	
8,818,602	B2	8/2014	Yamamura et al.	
8,868,237	B2	10/2014	Sandin et al.	
D718,339	S *	11/2014	Damshak .....	D15/17
D718,340	S *	11/2014	Damshak .....	D15/14
D718,341	S *	11/2014	Gur .....	D15/17
D718,793	S *	12/2014	Gur .....	D15/14
8,983,693	B2	3/2015	Yamamura et al.	
D745,897	S *	12/2015	Mehra .....	D15/17
D758,455	S *	6/2016	Maibach .....	D15/17
D760,806	S *	7/2016	Cmich .....	D15/17
D776,169	S *	1/2017	Cmich .....	D15/17
D781,926	S *	3/2017	Al-Hashimi .....	D15/14
D796,555	S *	9/2017	Landberg .....	D15/17
D852,232	S *	6/2019	Eidson .....	D15/17
D880,532	S *	4/2020	Gunnarsson .....	D15/17
D881,252	S *	4/2020	Vestberg .....	D15/199
D889,517	S *	7/2020	Prybor .....	D15/17
D890,219	S *	7/2020	Tat .....	D15/17
D928,202	S *	8/2021	Li .....	D15/17
D940,761	S *	1/2022	Mehra .....	D15/17
D946,056	S *	3/2022	Cestonaro .....	D15/17
2006/0150361	A1	7/2006	Aldred et al.	
2011/0234153	A1	9/2011	Abramson	
2013/0211646	A1	8/2013	Yamamura et al.	
2013/0211647	A1	8/2013	Yamamura et al.	
2013/0317680	A1	11/2013	Yamamura et al.	
2014/0031979	A1	1/2014	Borinato et al.	
2014/0058611	A1	2/2014	Borinato	
2014/0324269	A1	10/2014	Abramson et al.	

\* cited by examiner

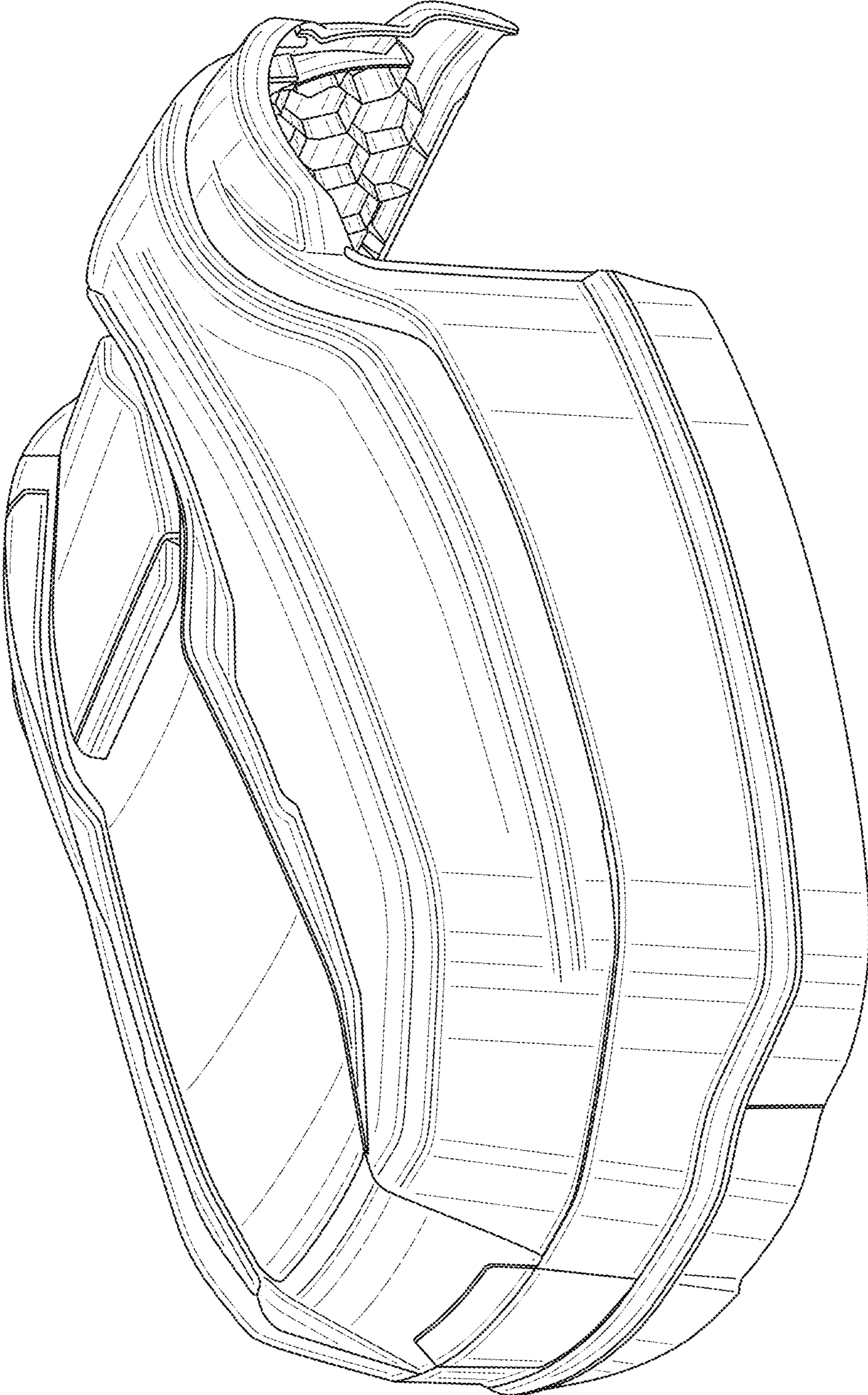


FIG. 1

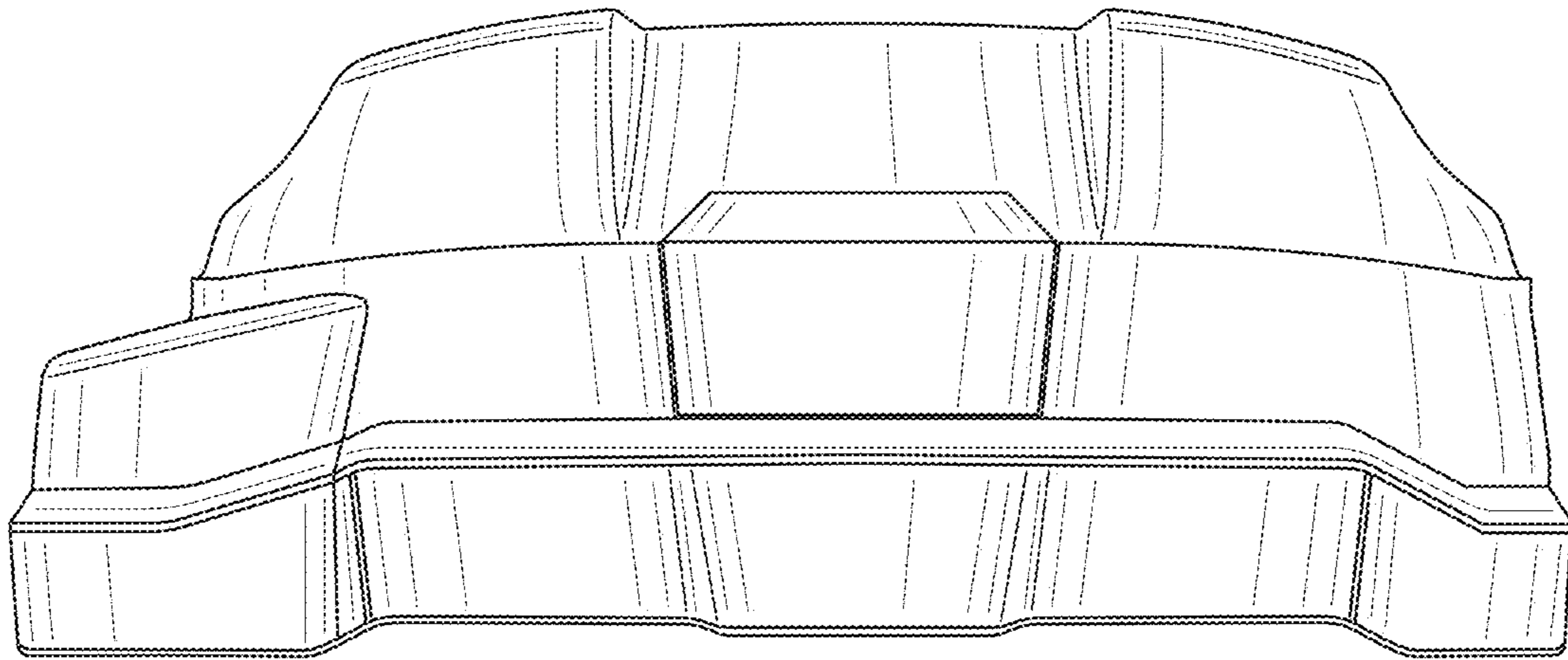


FIG. 2

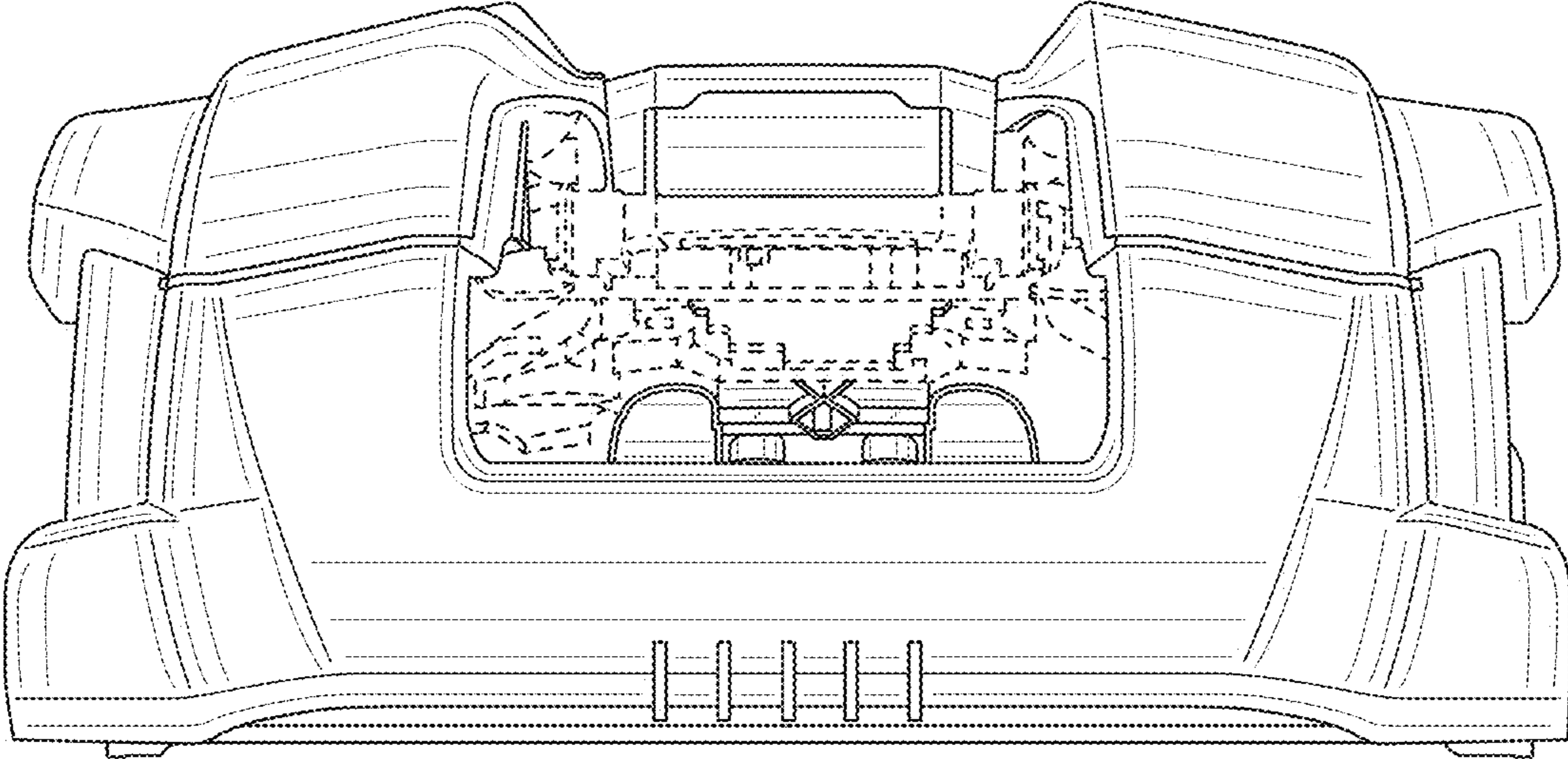


FIG. 3

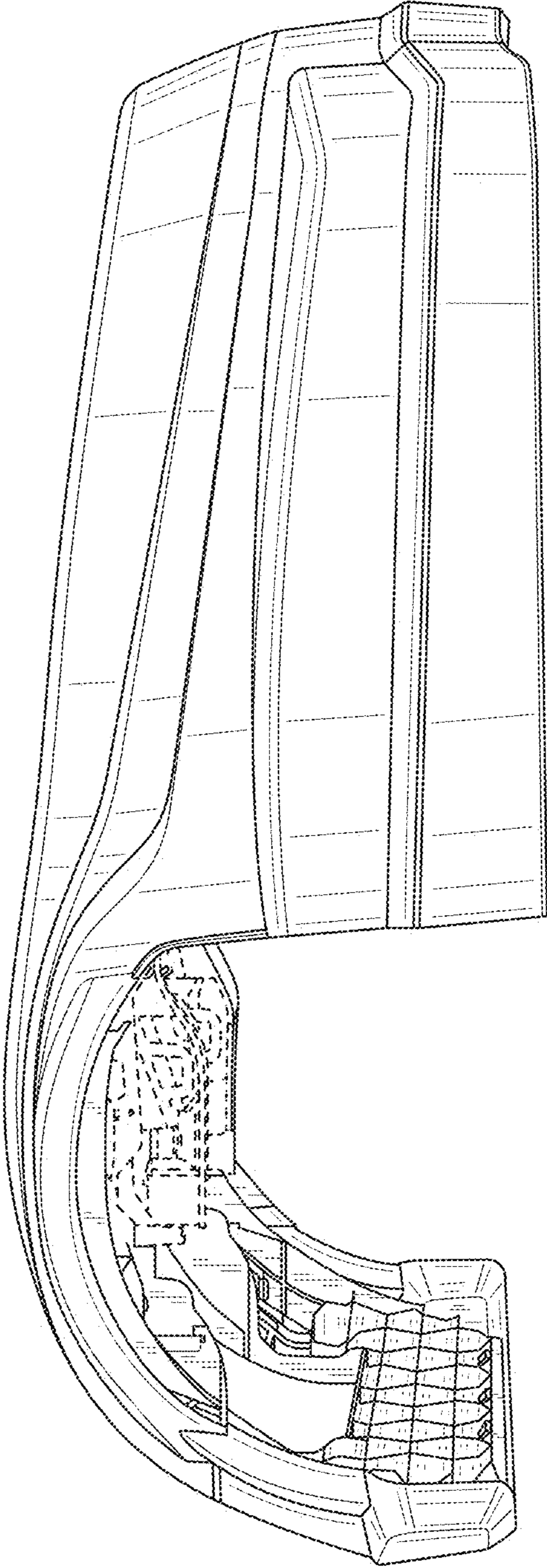


FIG. 4

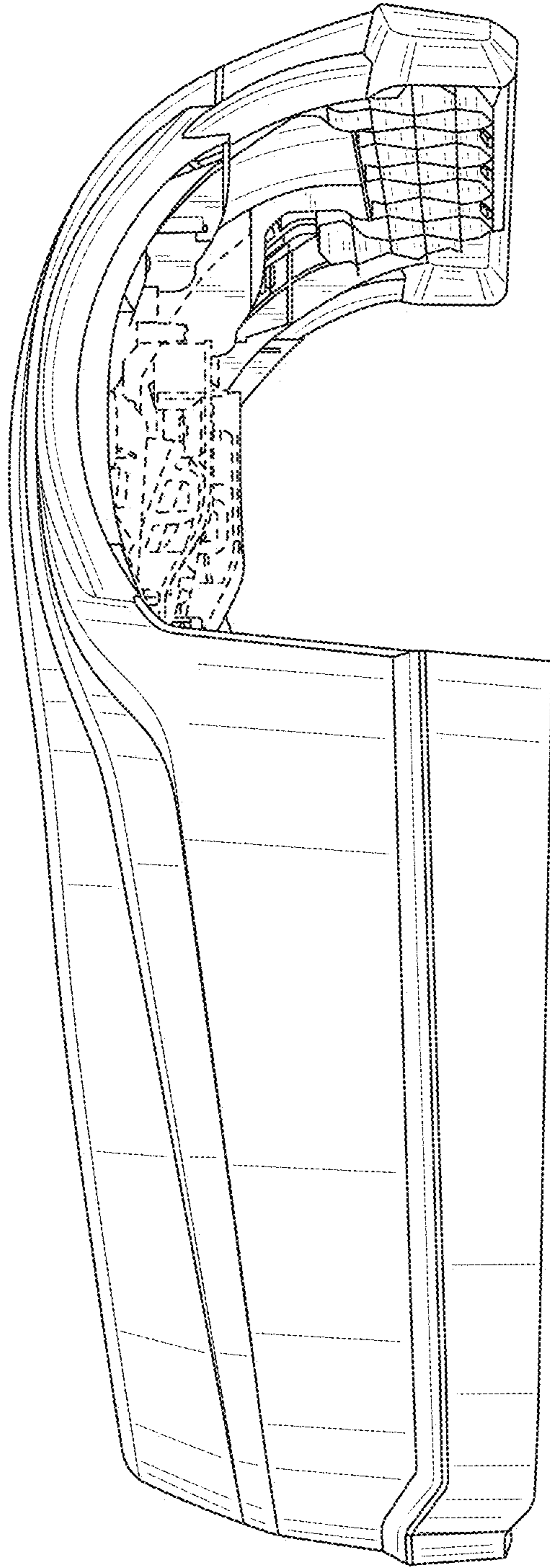


FIG. 5

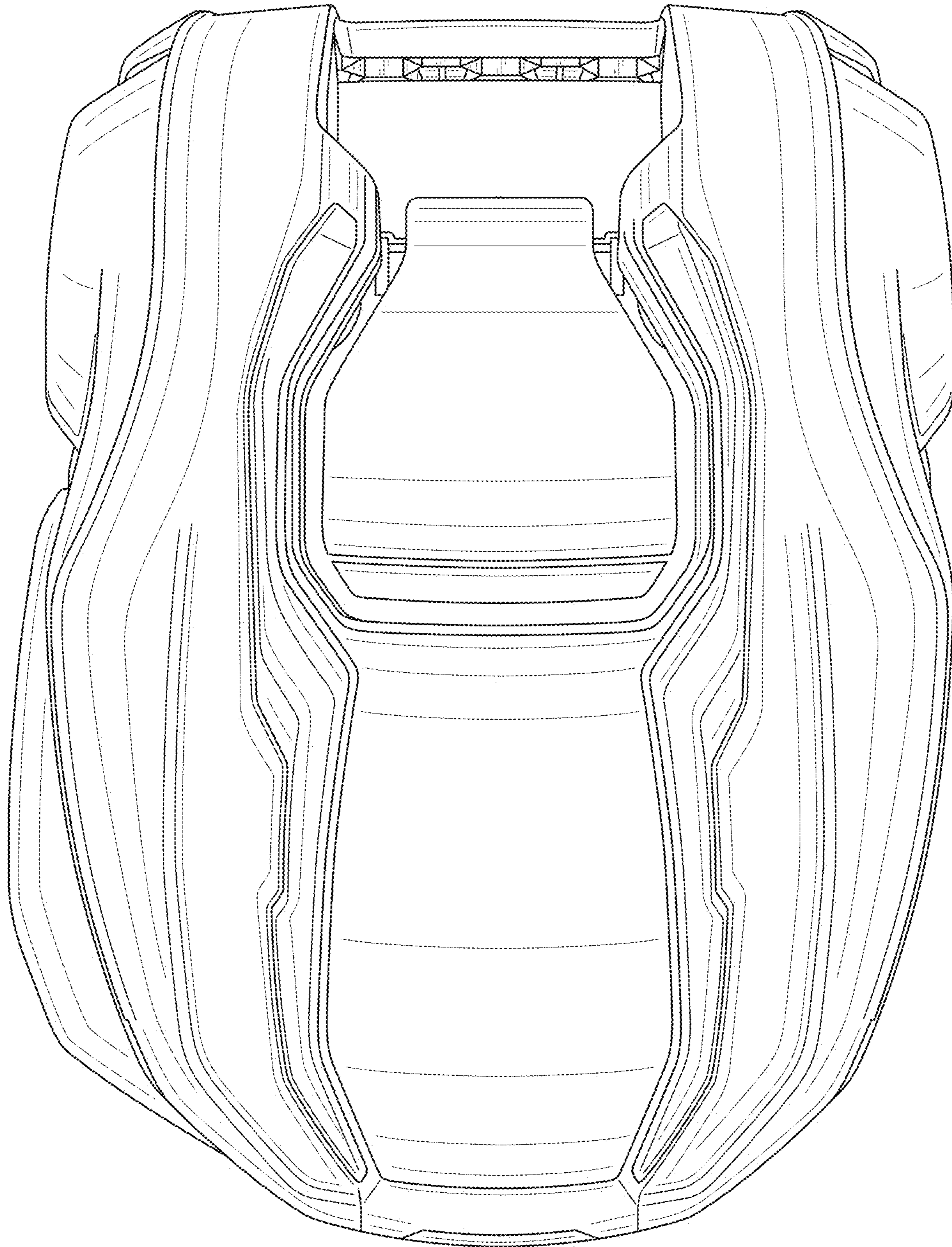


FIG. 6



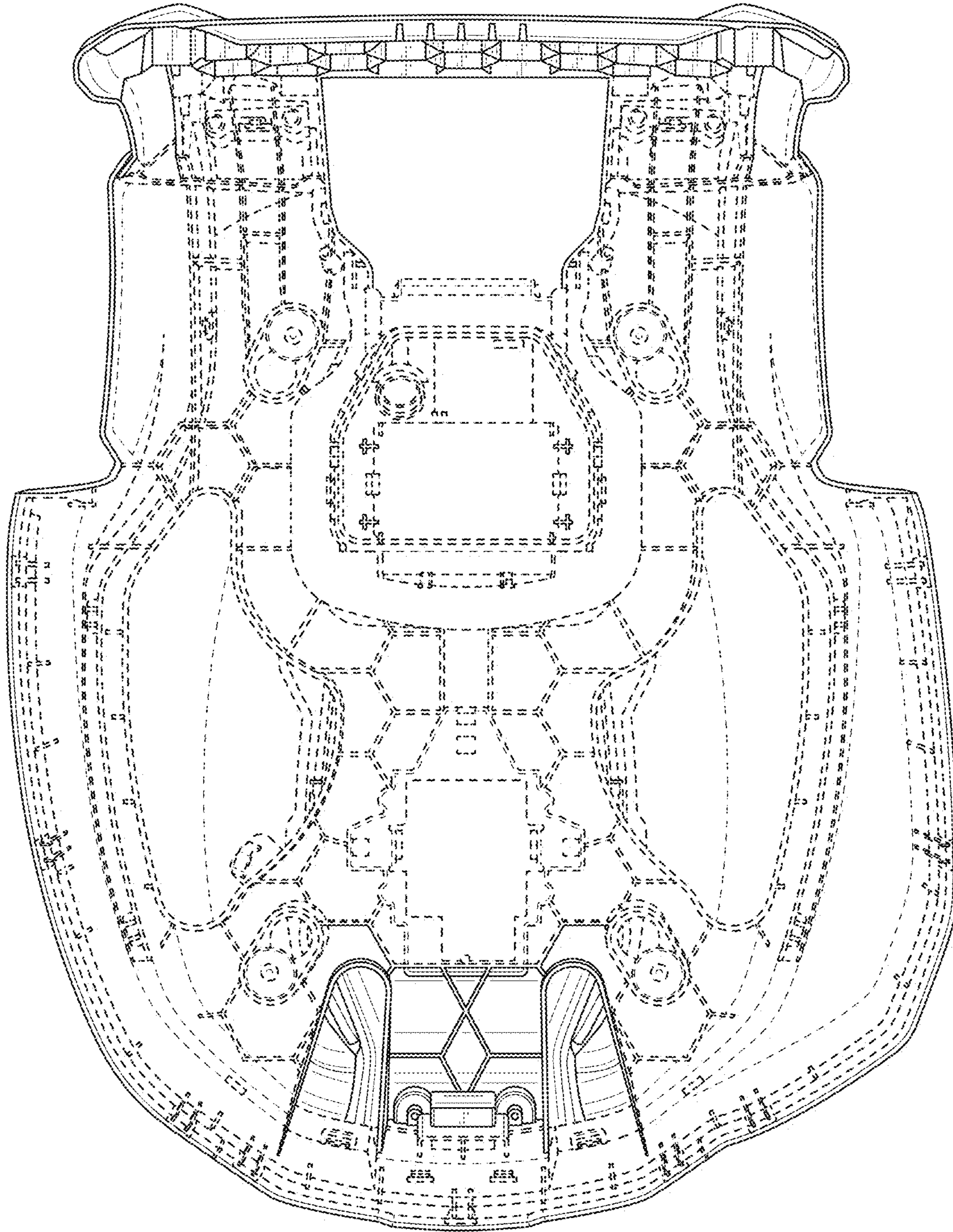


FIG. 7