



US00D980873S

(12) **United States Design Patent**
Raber et al.

(10) **Patent No.:** **US D980,873 S**
(45) **Date of Patent:** **** Mar. 14, 2023**

(54) **ROBOTIC MOWER**
(71) Applicant: **MTD Products Inc**, Valley City, OH (US)
(72) Inventors: **Mark Raber**, Seville, OH (US); **Ryan Cmich**, Sharon Township, OH (US)
(73) Assignee: **MTD PRODUCTS INC**, Valley City, OH (US)
(**) Term: **15 Years**

7,444,206 B2 10/2008 Abramson et al.
7,613,543 B2 11/2009 Petersson et al.
7,668,631 B2 2/2010 Bemini
7,729,801 B2 6/2010 Abramson
7,769,490 B2 8/2010 Abramson et al.
8,046,103 B2 10/2011 Abramson et al.
8,239,992 B2 8/2012 Schnittman et al.
D678,352 S * 3/2013 Maeda D15/17
D679,294 S * 4/2013 Tajik D15/17
D679,295 S * 4/2013 Tajik D15/17
D681,065 S * 4/2013 Maeda D15/17
8,428,776 B2 4/2013 Letsky
8,452,450 B2 5/2013 Dooley et al.
D688,276 S * 8/2013 Naslund D15/17

(Continued)

(21) Appl. No.: **29/800,816**

(22) Filed: **Jul. 23, 2021**

(51) **LOC (14) Cl.** **15-03**

(52) **U.S. Cl.**
USPC **D15/14; D15/17**

(58) **Field of Classification Search**
USPC D15/14, 17, 18; 56/11.9, 17.5, 13.4, 56/12.8, 16.7, 202, 255, 294, 295, 320.1, 56/320.2; 180/900, 89.1, 89.12
CPC A01D 34/008; A01D 34/81; A01D 34/416; A01D 34/4166; A01D 34/4167; A01D 34/87; A01D 34/90; B60L 1/003; B60L 3/0061; B60L 11/1803; B60L 11/1805; B60L 11/1877; B60L 15/20; B60L 2260/28; B60L 2200/40; B60L 2220/16; B60L 2220/46; B60L 2240/36; B60L 2240/421; A01G 3/04; A01G 3/0435
See application file for complete search history.

(56) **References Cited**

U.S. PATENT DOCUMENTS

5,204,814 A 4/1993 Noonan et al.
6,321,515 B1 11/2001 Colens
6,327,741 B1 12/2001 Reed
6,339,735 B1 1/2002 Peless et al.
6,493,613 B2 12/2002 Peless et al.
7,079,923 B2 7/2006 Abramson et al.

FOREIGN PATENT DOCUMENTS

EP 2852029 A1 3/2015
EP 2656718 B1 7/2018
EP 2648307 B1 8/2019

Primary Examiner — Mark A Goodwin

(74) *Attorney, Agent, or Firm* — Wegman Hessler

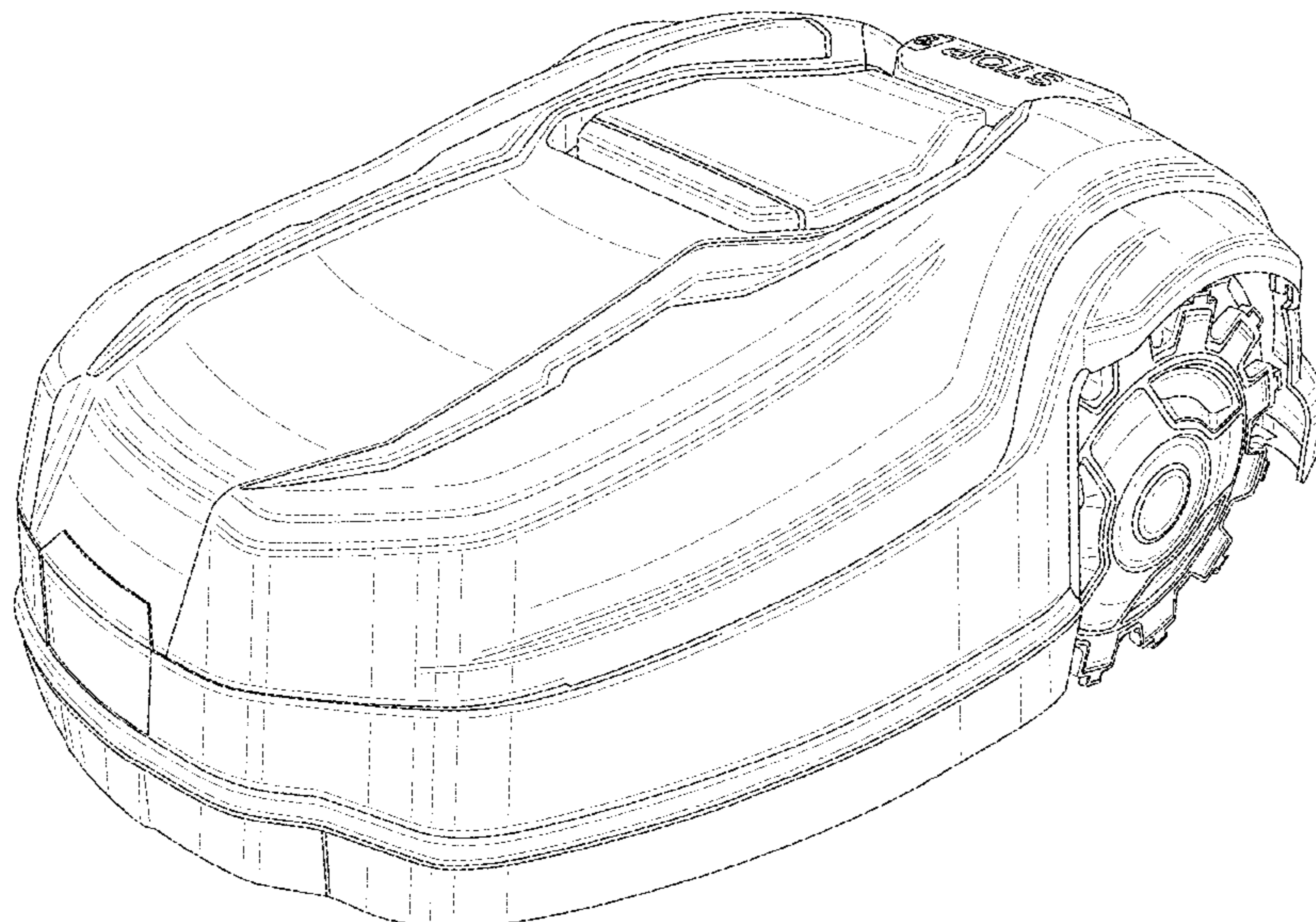
(57) **CLAIM**

We claim the ornamental design for a robotic mower, as shown and described.

DESCRIPTION

FIG. 1 is a top front perspective view of a robotic mower showing our new design;
FIG. 2 is a top rear perspective view thereof;
FIG. 3 is a front view thereof;
FIG. 4 is a rear view thereof;
FIG. 5 is a right side view thereof;
FIG. 6 is a left side view thereof;
FIG. 7 is a top view thereof; and,
FIG. 8 is a bottom view thereof.
In the drawings, any broken lines depict environmental subject matter only that forms no part of the claimed design.

1 Claim, 8 Drawing Sheets



(56)

References Cited

U.S. PATENT DOCUMENTS

8,532,822 B2 9/2013 Abramson et al.
8,600,582 B2 12/2013 Bernini
8,676,378 B2 3/2014 Tian et al.
8,818,602 B2 8/2014 Yamamura et al.
8,868,237 B2 10/2014 Sandin et al.
D718,339 S * 11/2014 Damshak D15/17
D718,340 S * 11/2014 Damshak D15/14
D718,341 S * 11/2014 Gur D15/17
D718,793 S * 12/2014 Gur D15/14
8,983,693 B2 3/2015 Yamamura et al.
D745,897 S * 12/2015 Mehra D15/17
D758,455 S * 6/2016 Maibach D15/17
D760,806 S * 7/2016 Cmich D15/17
D776,169 S * 1/2017 Cmich D15/17
D781,926 S * 3/2017 Al-Hashimi D15/14
D796,555 S * 9/2017 Landberg D15/17
D852,232 S * 6/2019 Eidson D15/17
D880,532 S * 4/2020 Gunnarsson D15/17
D881,252 S * 4/2020 Vestberg D15/199
D889,517 S * 7/2020 Prybor D15/17
D890,219 S * 7/2020 Tat D15/17
D928,202 S * 8/2021 Li D15/17
D940,761 S * 1/2022 Mehra D15/17
D946,056 S * 3/2022 Cestonaro D15/17
2006/0150361 A1 7/2006 Aldred et al.
2011/0234153 A1 9/2011 Abramson
2013/0211646 A1 8/2013 Yamamura et al.
2013/0211647 A1 8/2013 Yamamura et al.
2013/0317680 A1 11/2013 Yamamura et al.
2014/0031979 A1 1/2014 Borinato et al.
2014/0058611 A1 2/2014 Borinato
2014/0324269 A1 10/2014 Abramson et al.

* cited by examiner

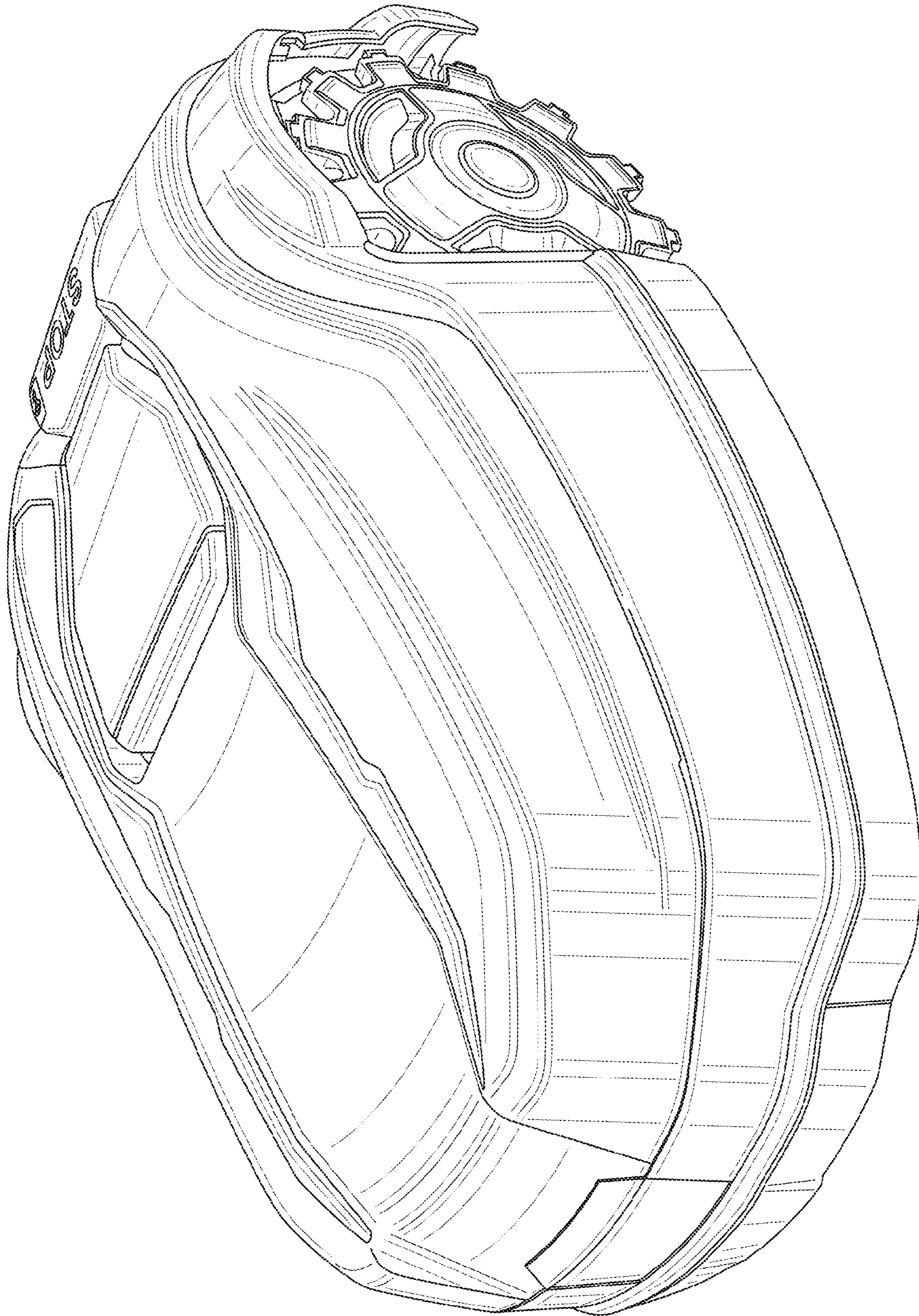


FIG. 1

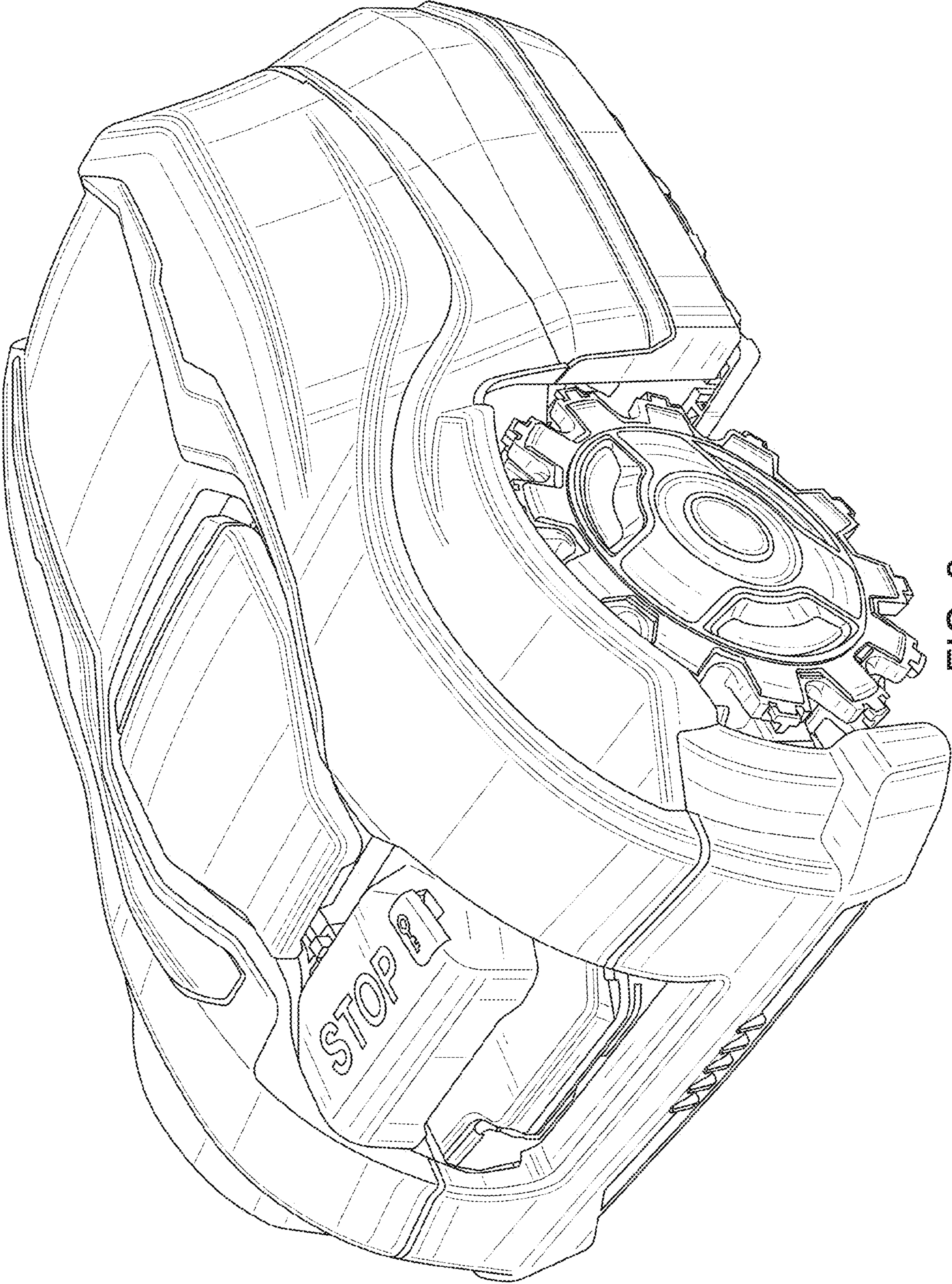


FIG. 2

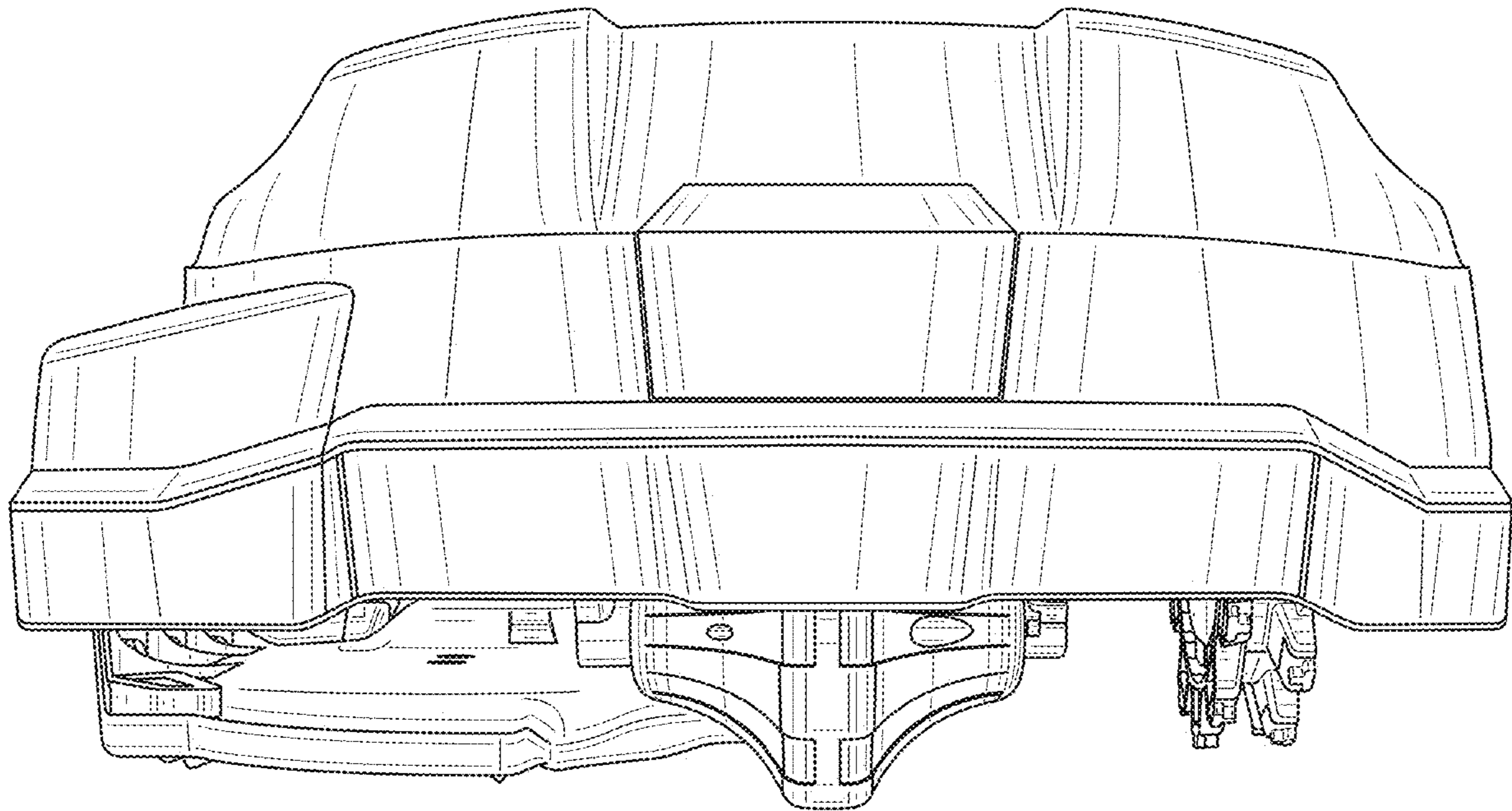


FIG. 3

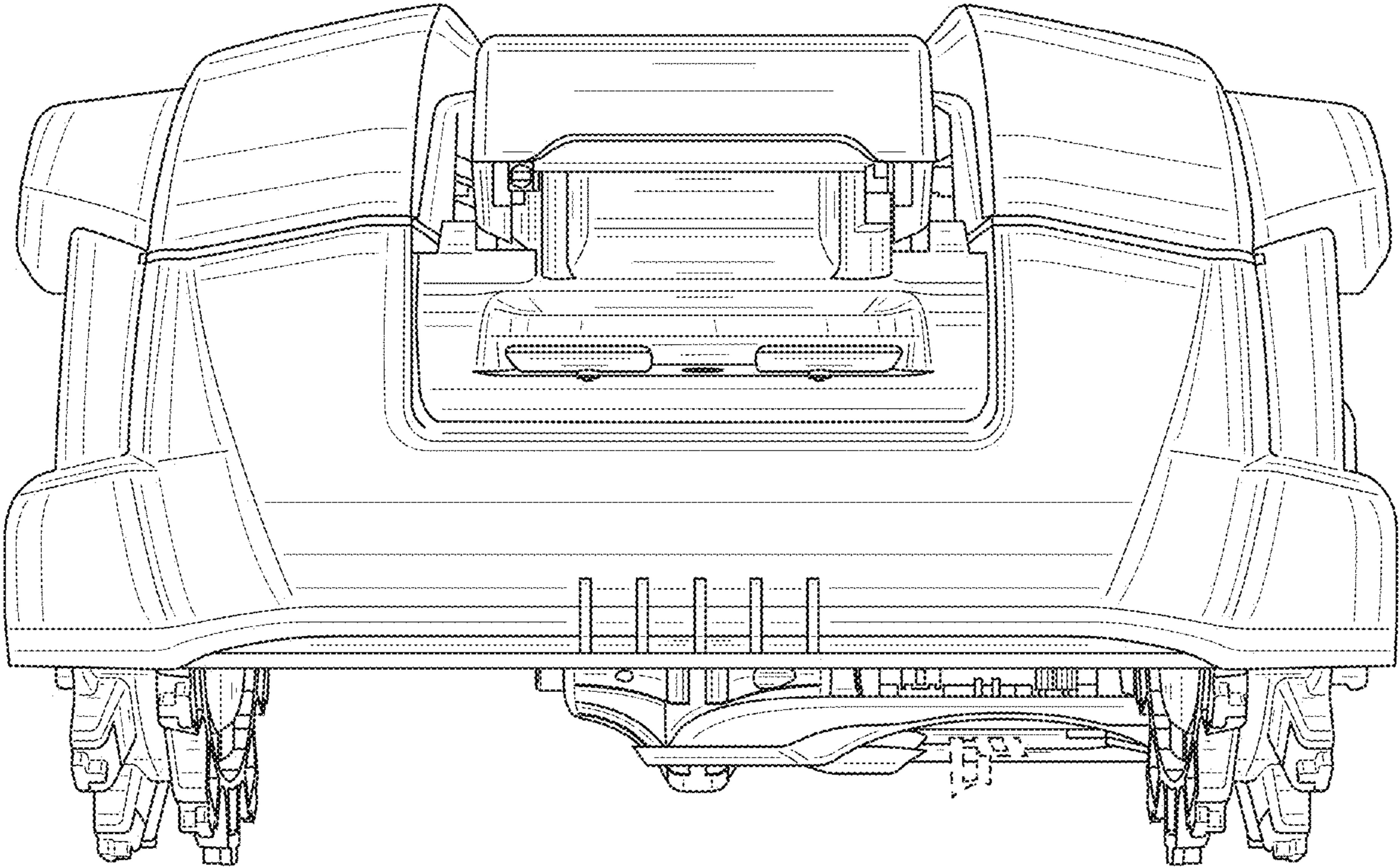


FIG. 4

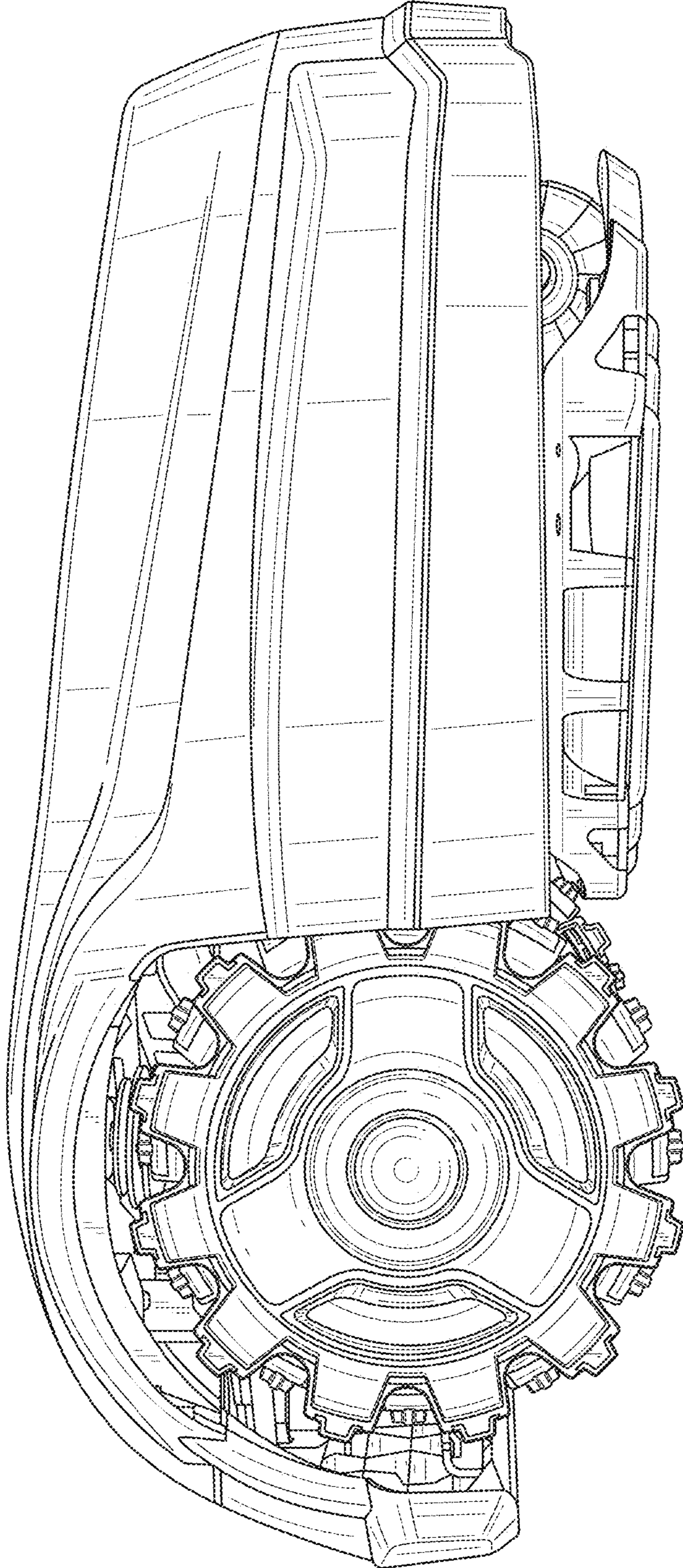


FIG. 5

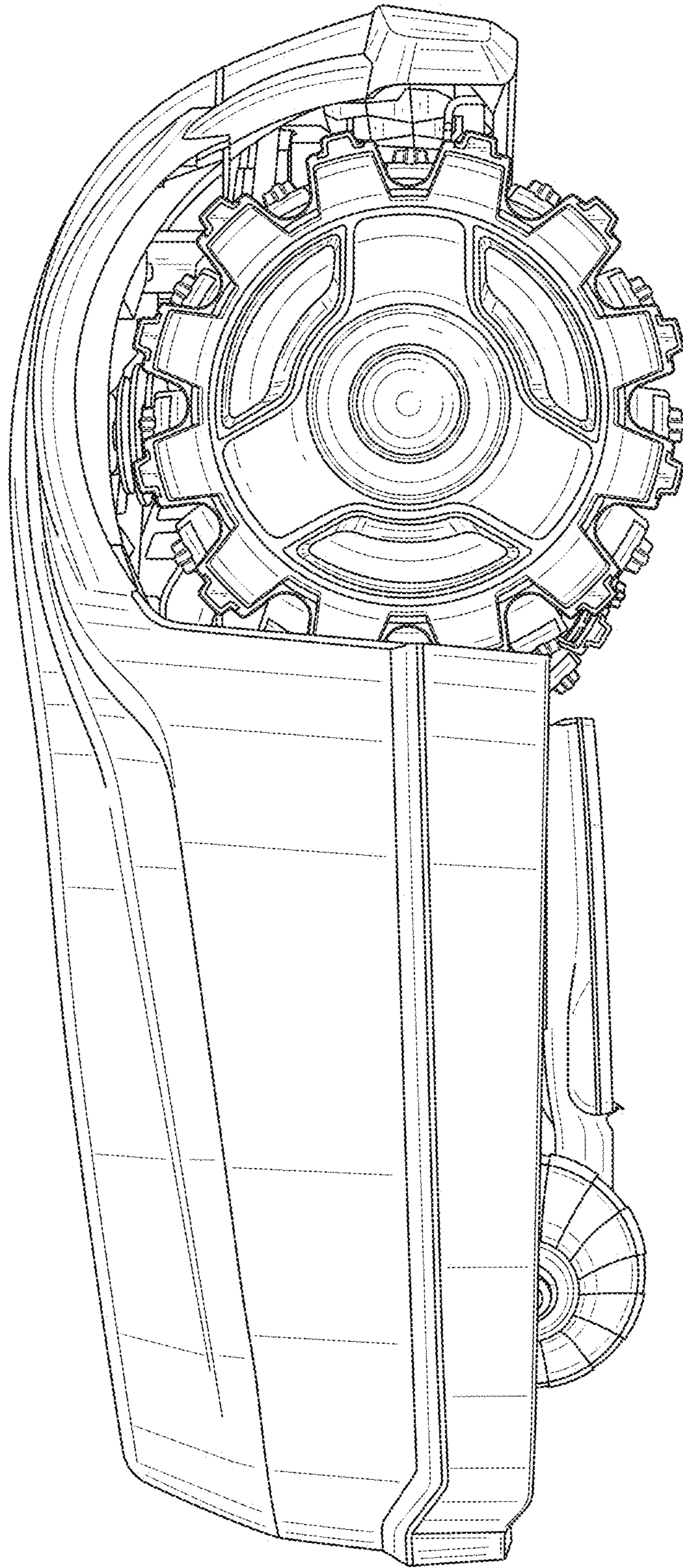


FIG. 6

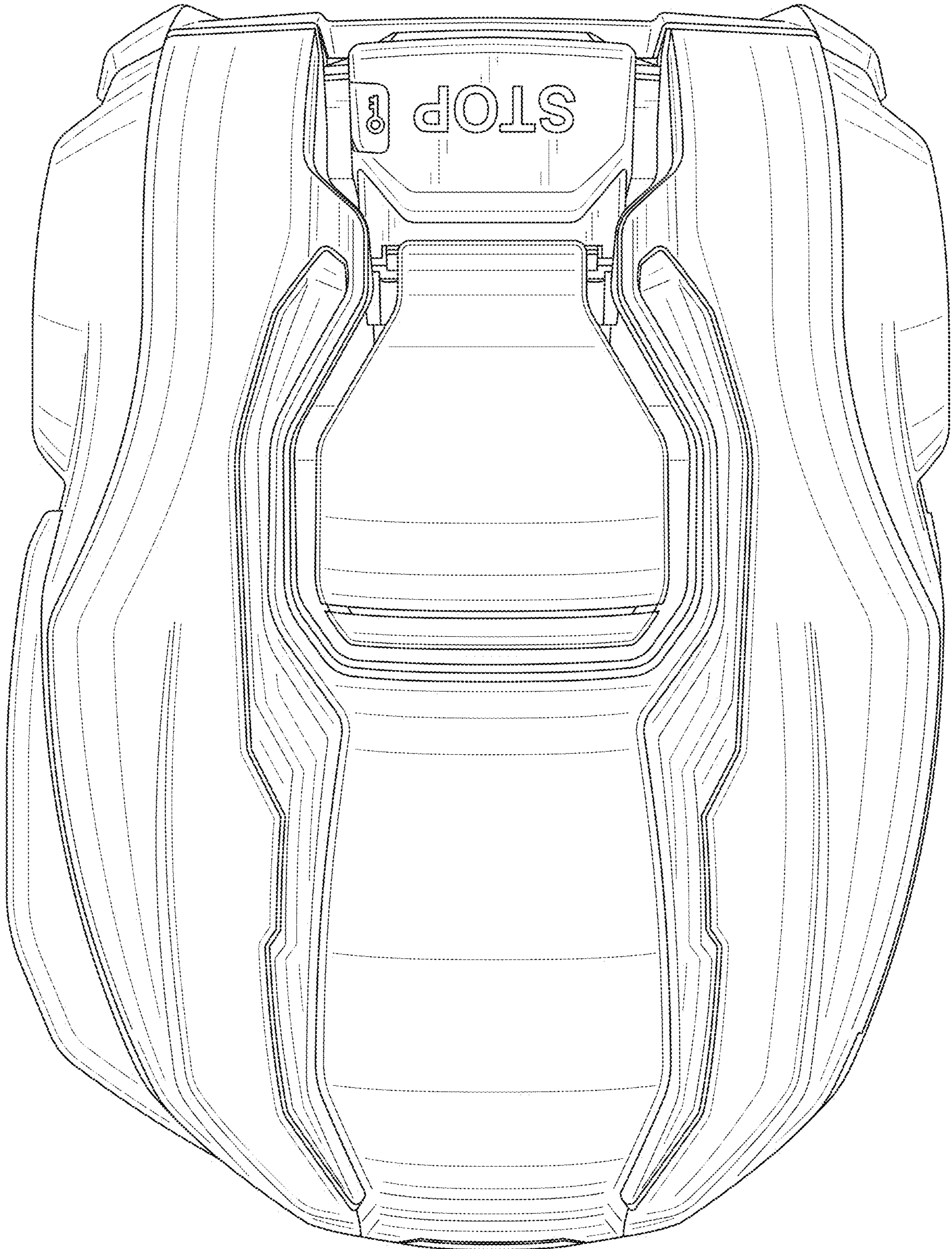


FIG. 7

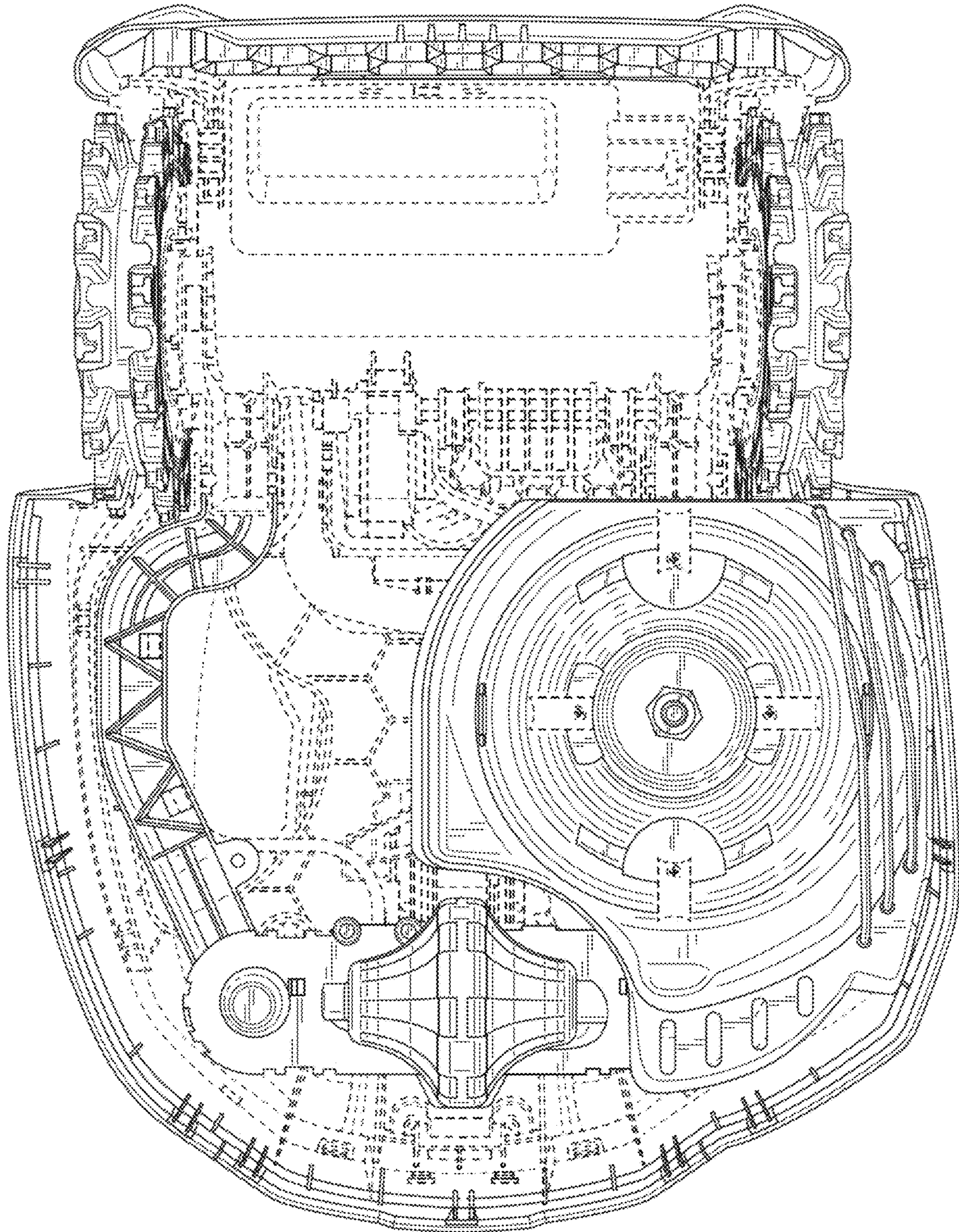


FIG. 8