



US00D980870S

(12) **United States Design Patent**
Alexander et al.

(10) **Patent No.:** **US D980,870 S**
(45) **Date of Patent:** **** Mar. 14, 2023**

(54) **MANIFOLD ADAPTER**
(71) Applicant: **Holley Performance Products, Inc.**,
Bowling Green, KY (US)
(72) Inventors: **Colin R. Alexander**, Bowling Green,
KY (US); **James D. Dralle**, Bowling
Green, KY (US)
(73) Assignee: **Holley Performance Products, Inc.**,
Bowling Green, KY (US)

D886,701 S 6/2020 Hudnall
10,697,356 B2 * 6/2020 Bardakjy F02C 6/12
D927,551 S 8/2021 Hudnall
D949,921 S * 4/2022 Panwar D15/5
D963,833 S * 9/2022 Williams D23/393
2004/0094111 A1 5/2004 Concialdi
2008/0011259 A1 * 1/2008 Madeira B29C 66/12443
123/184.61

(Continued)

(**) Term: **15 Years**

FOREIGN PATENT DOCUMENTS
AU 34112 2/2012
AU 201717286 12/2017

(Continued)

(21) Appl. No.: **29/755,373**

(22) Filed: **Oct. 20, 2020**

(51) **LOC (14) Cl.** **15-01**

(52) **U.S. Cl.**
USPC **D15/5**

(58) **Field of Classification Search**
USPC D15/1, 2, 3, 4, 5, 6; D23/259, 262, 263,
D23/266; D13/155
CPC F02M 35/104; F02M 35/108; F02M
35/1085; F02M 35/116; F02M 35/10144;
F02M 35/1283; F02M 35/10354
See application file for complete search history.

OTHER PUBLICATIONS

Design U.S. Appl. No. 29/605,771, filed May 30, 2017 titled
"Exhaust Manifold".

(Continued)

Primary Examiner — Ania Aman
(74) *Attorney, Agent, or Firm* — Dinsmore & Shohl LLP

(57) **CLAIM**

The ornamental design for a manifold adapter, as shown and
described.

(56) **References Cited**

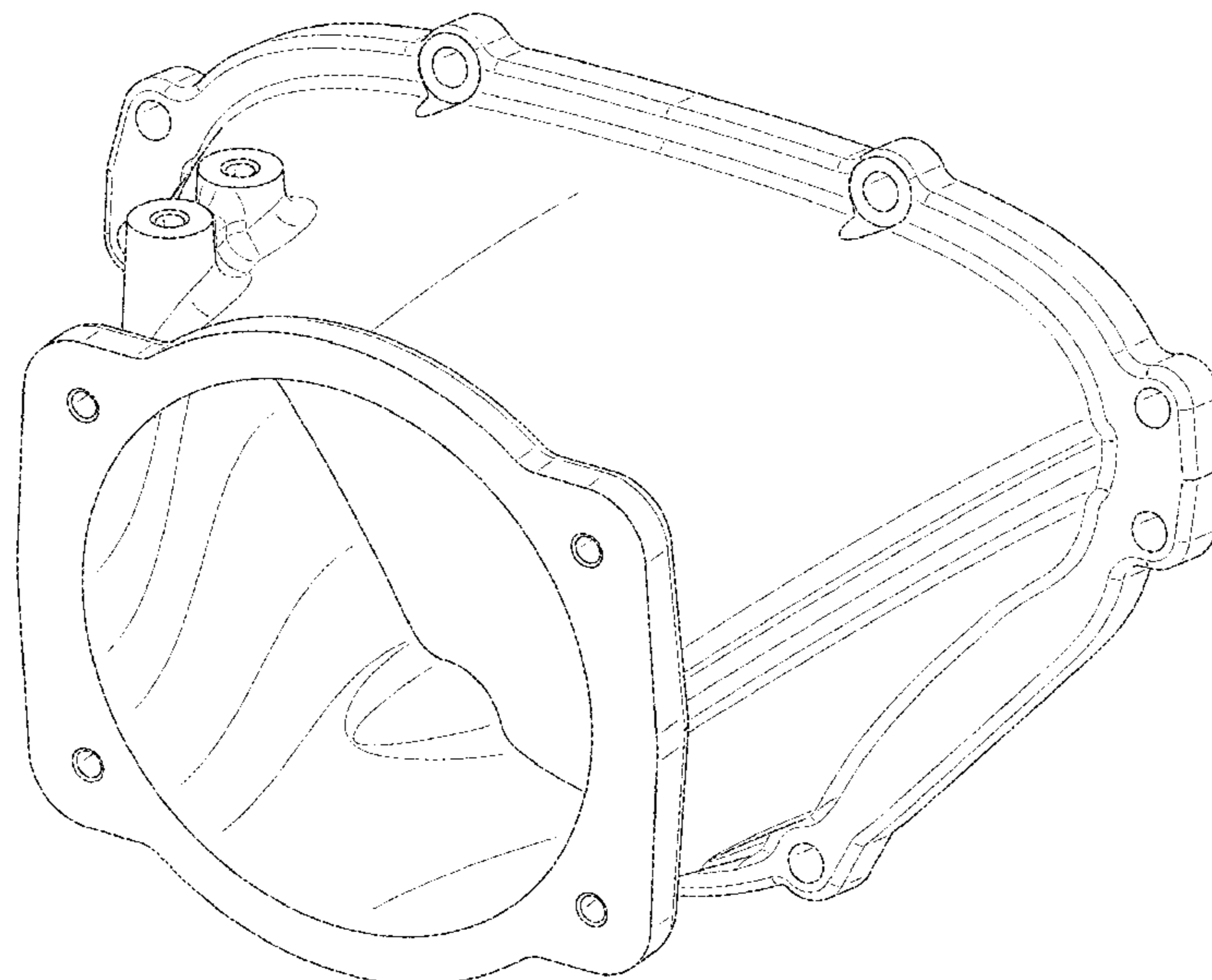
U.S. PATENT DOCUMENTS

4,372,120 A * 2/1983 Ford, Jr. F02M 35/10295
277/916
5,959,263 A 9/1999 Foltz, Jr.
6,394,128 B1 5/2002 Concialdi
6,792,906 B2 9/2004 Grant
7,533,661 B2 5/2009 Baasch
D654,094 S 2/2012 Dralle
D794,681 S 8/2017 Newman et al.
D794,682 S 8/2017 Newman et al.
D853,920 S 7/2019 Hudnall
10,385,811 B2 8/2019 Newman et al.

DESCRIPTION

FIG. 1 is an upper perspective view of a manifold adapter
showing our new design;
FIG. 2 is a lower perspective view of the design of FIG. 1;
FIG. 3 is a top view of the design of FIG. 1;
FIG. 4 is a bottom view of the design of FIG. 1;
FIG. 5 is a first side view of the design of FIG. 1;
FIG. 6 is a second side view of the design of FIG. 1;
FIG. 7 is a front view of the design of FIG. 1; and,
FIG. 8 is a rear view of the design of FIG. 1.

1 Claim, 8 Drawing Sheets



(56)

References Cited

OTHER PUBLICATIONS

U.S. PATENT DOCUMENTS

2010/0147244 A1* 6/2010 Tassinari F02B 27/005
123/184.56
2011/0030322 A1* 2/2011 Gillispie B01D 46/521
55/313
2014/0165949 A1* 6/2014 Sroka F02M 35/10144
123/184.46
2014/0182290 A1* 7/2014 Bhide F02B 37/013
415/182.1
2018/0202397 A1* 7/2018 Iwamoto F02M 35/10137
2019/0360438 A1* 11/2019 Tiramani F02M 35/104

FOREIGN PATENT DOCUMENTS

AU 201717292 12/2017
AU 201717296 12/2017
AU 2015338922 11/2019
AU 202010326 4/2020
AU 202012463 6/2020
AU 202012810 8/2020
AU 202012813 8/2020
AU 202012814 8/2020
AU 202012815 8/2020
AU 202012817 8/2020
AU 202012818 8/2020
AU 202013437 10/2020
AU 202015398 11/2020
AU 202015399 11/2020
AU 202112133 5/2021
AU 202112130 7/2021
AU 202112132 7/2021

Design U.S. Appl. No. 29/713,627, filed Nov. 18, 2019 titled "Panel for Intake Manifold".
Design U.S. Appl. No. 29/713,628, filed Nov. 18, 2019 titled "Throttle Body Adapter".
Design U.S. Appl. No. 29/718,592, filed Dec. 26, 2019 titled "Manifold".
Design U.S. Appl. No. 29/795,969, filed Jun. 22, 2021 titled "Manifold".
Design U.S. Appl. No. 29/699,715, filed Jul. 29, 2019 titled Manifold.
Design U.S. Appl. No. 29/713,834, filed Nov. 19, 2019 titled Manifold.
Design U.S. Appl. No. 29/713,833, filed Nov. 19, 2019 titled Manifold.
Design U.S. Appl. No. 29/713,626, filed Nov. 18, 2019 titled Manifold.
Design U.S. Appl. No. 29/755,371, filed Oct. 20, 2020 titled Manifold.
Design U.S. Appl. No. 29/713,625, filed Nov. 18, 2019 titled Manifold.
Design U.S. Appl. No. 29/747,341, filed Aug. 21, 2020 titled Manifold.
Design U.S. Appl. No. 29/755,372, filed Oct. 20, 2020 titled Manifold.
Design U.S. Appl. No. 29/760,734, filed Dec. 3, 2020 titled Adapter.
Holley 2017 New & Hot Products 2016.

* cited by examiner

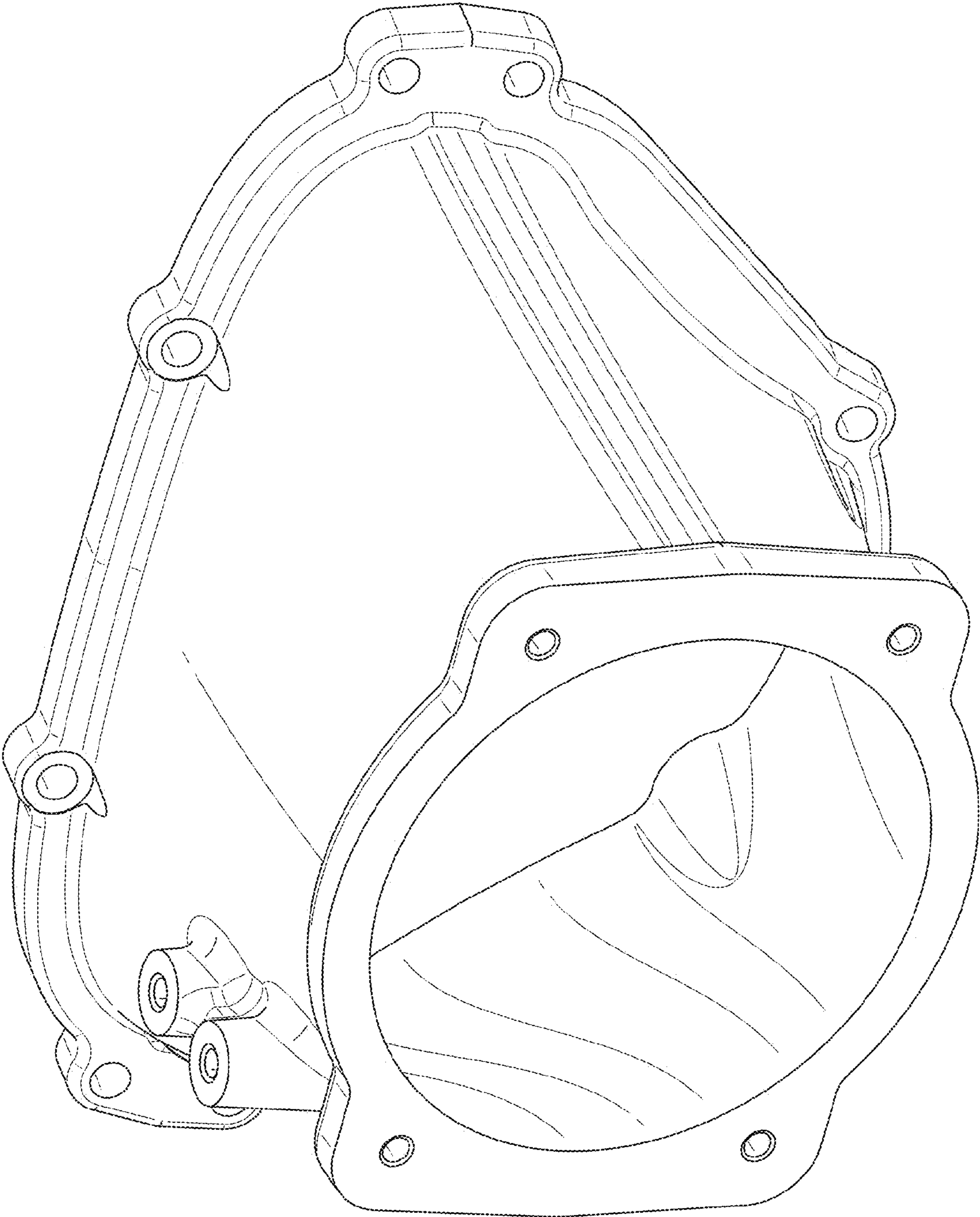


FIG. 1

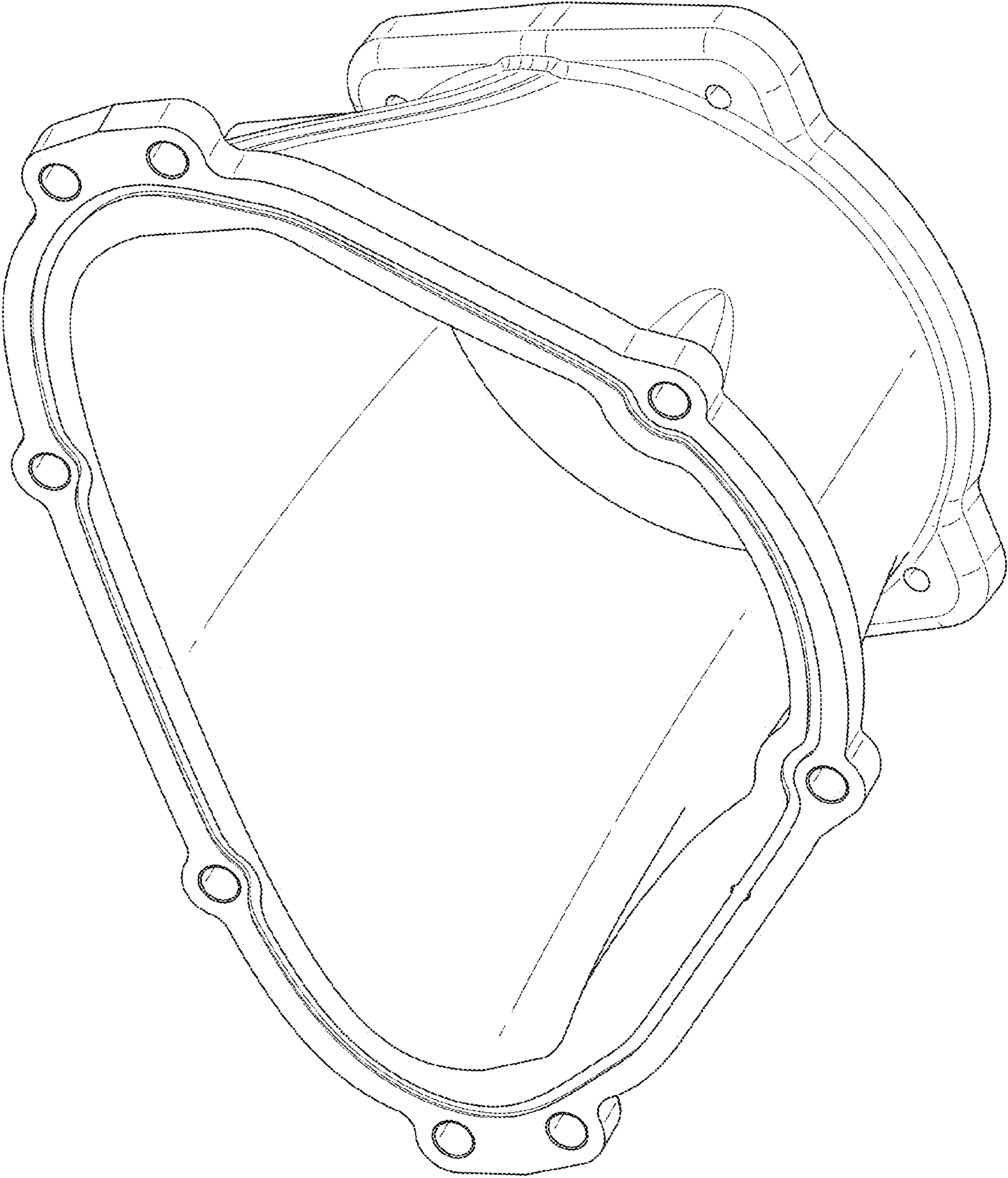


FIG. 2

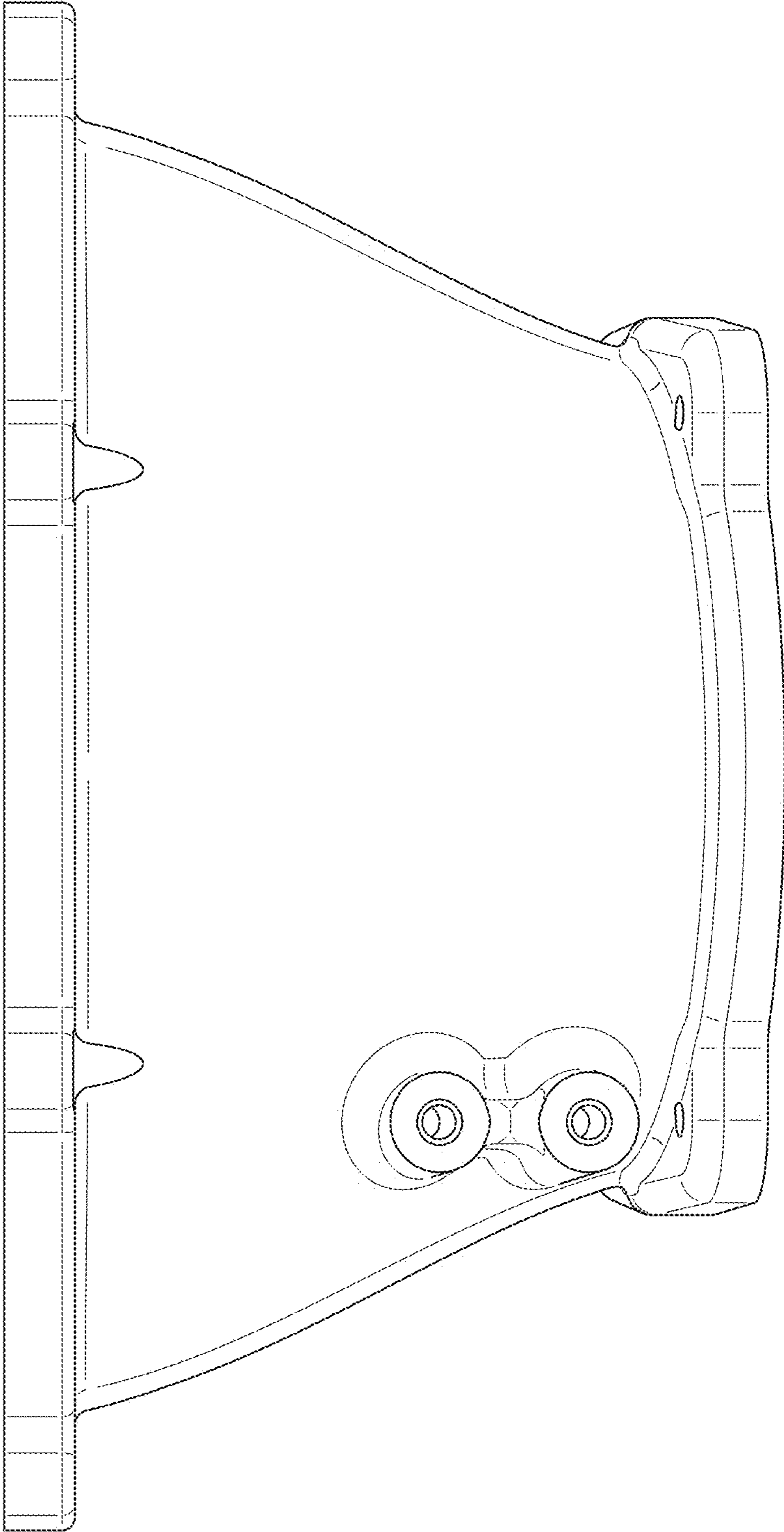


FIG. 3

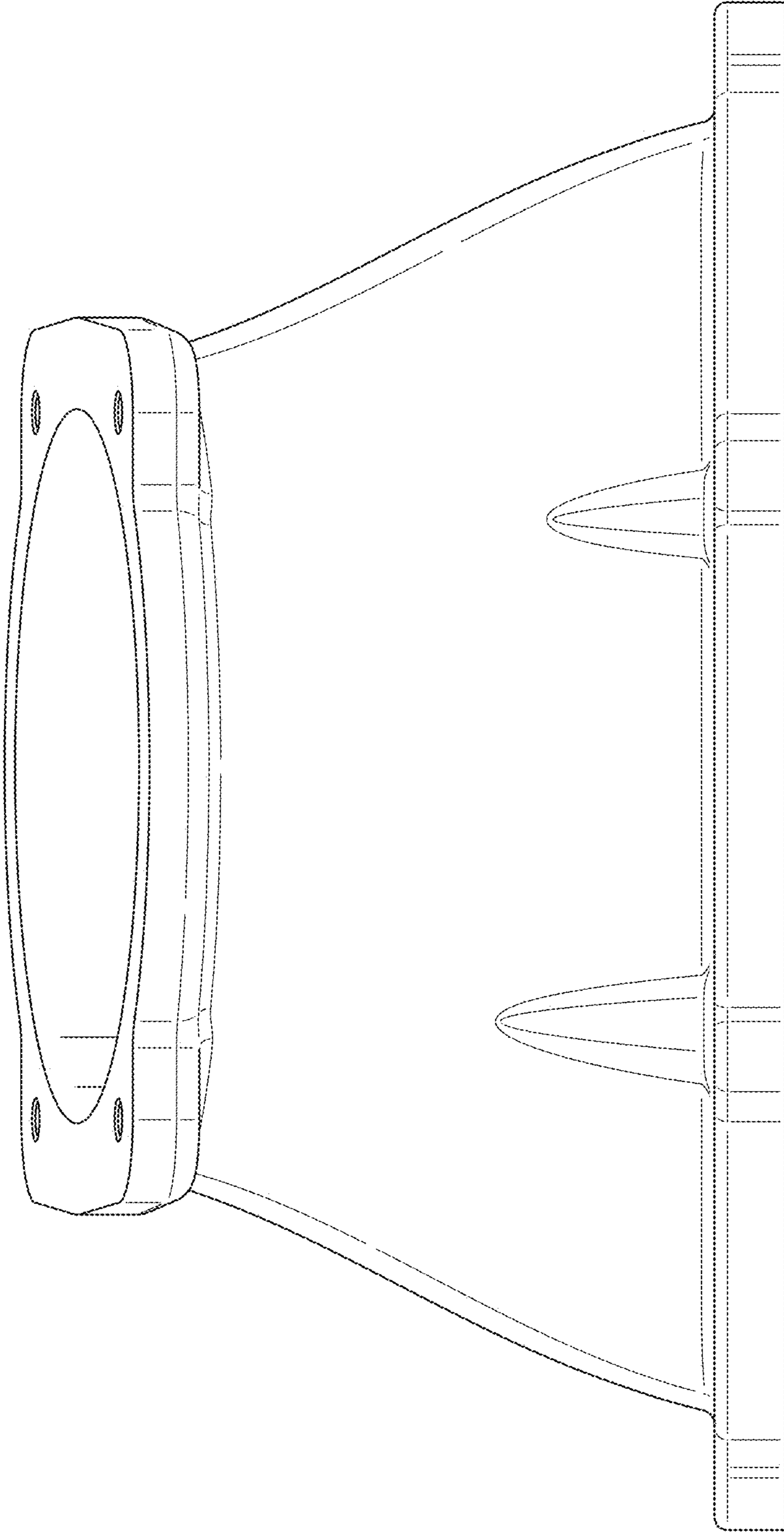


FIG. 4

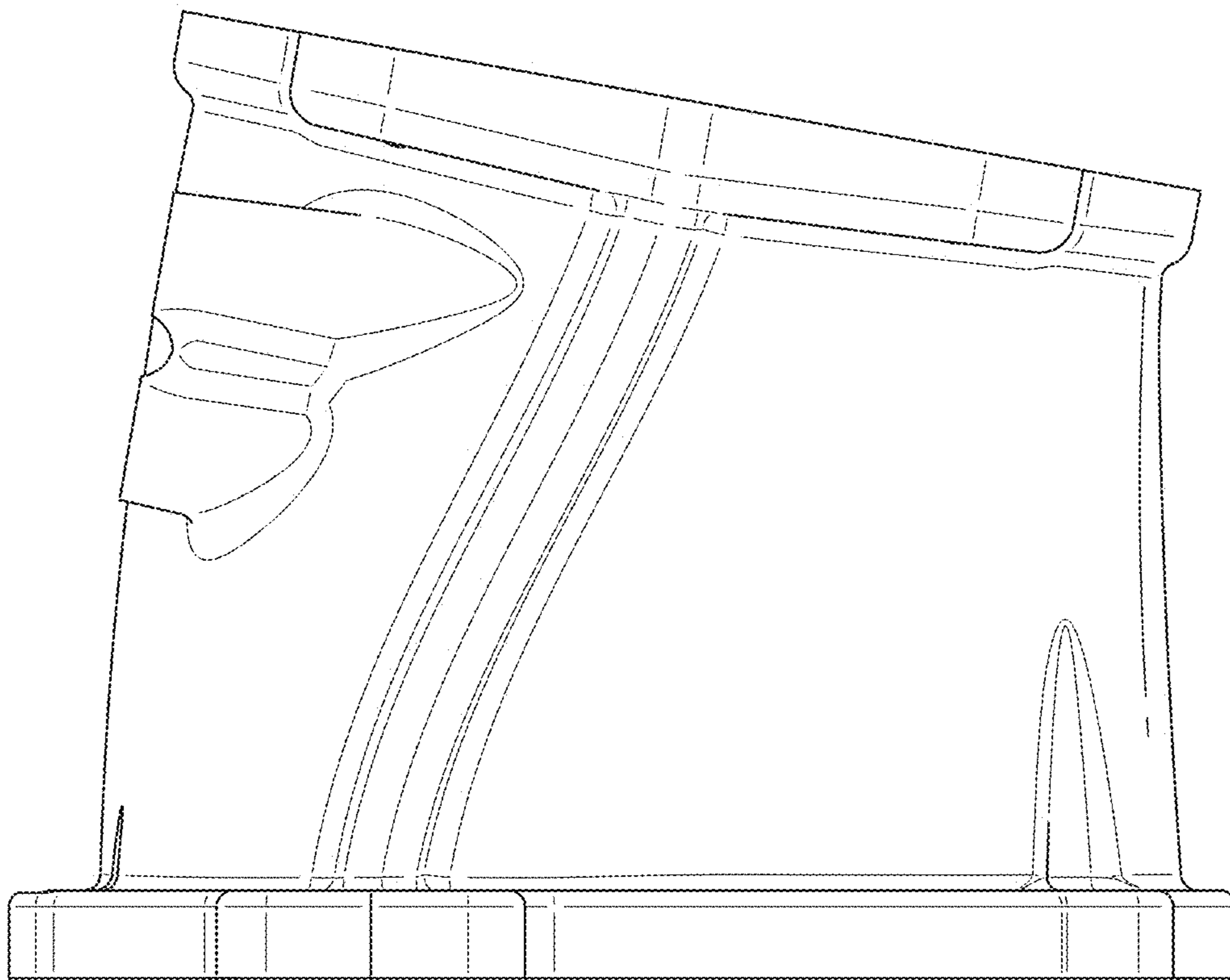


FIG. 5

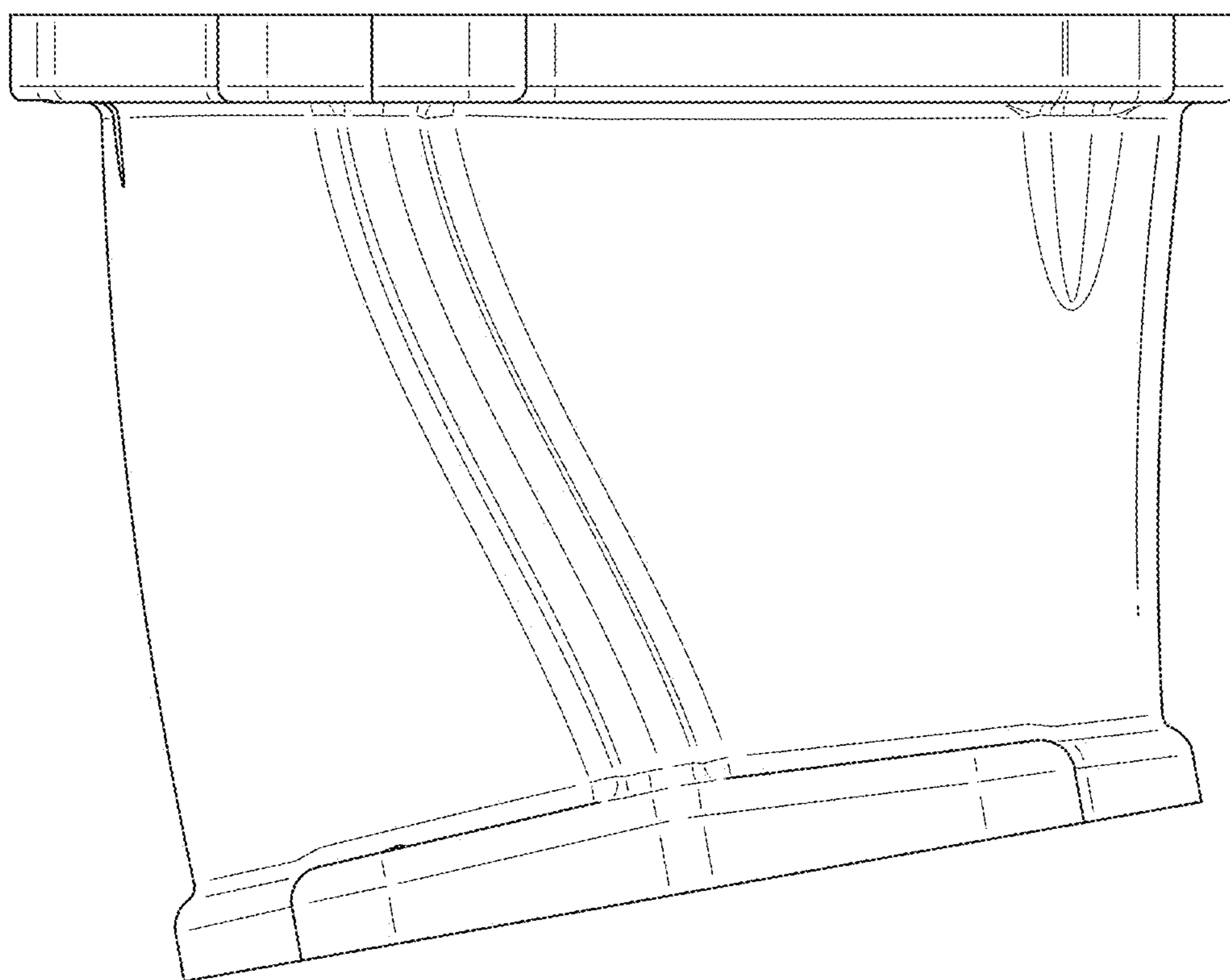


FIG. 6

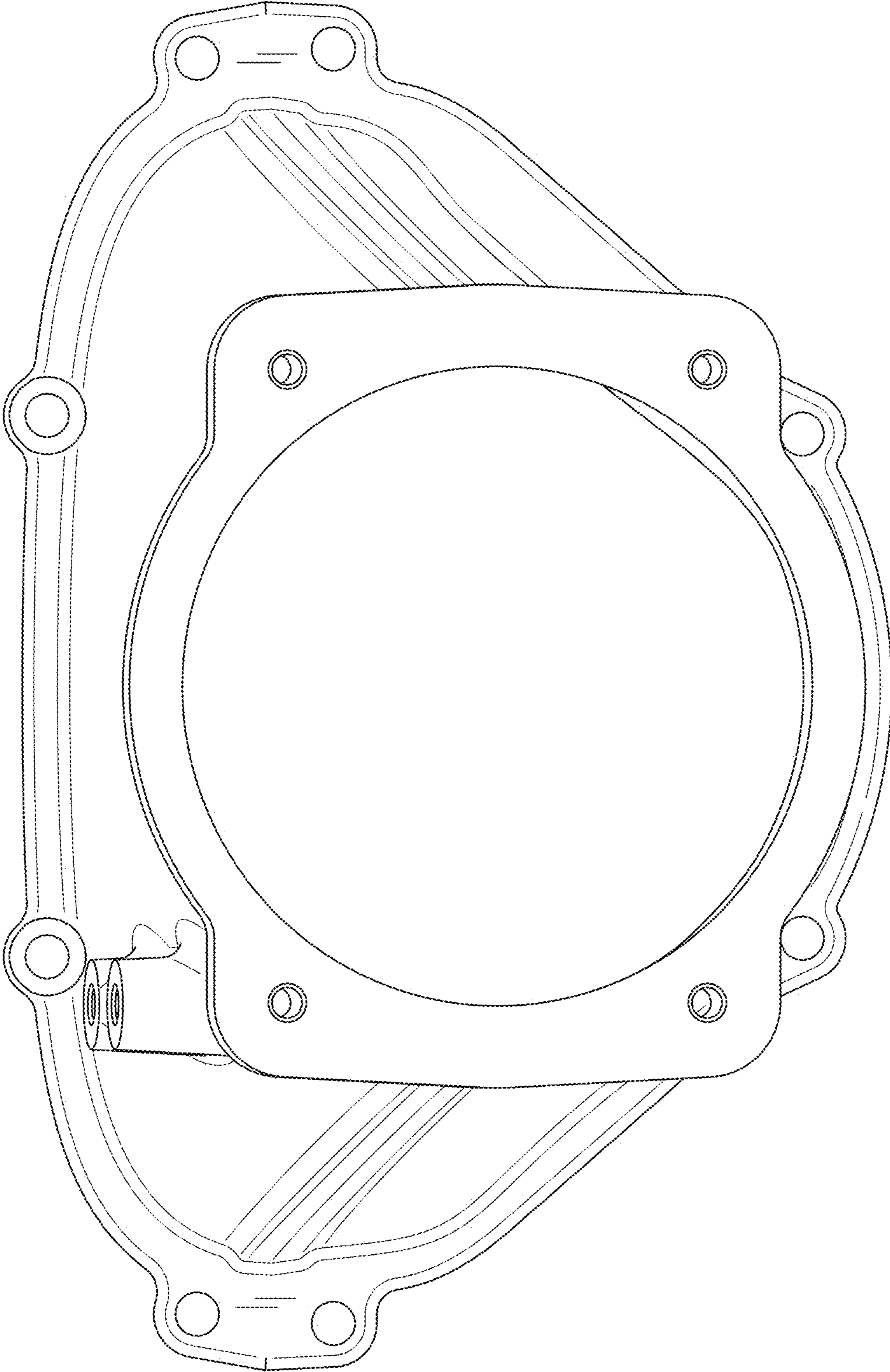


FIG. 7

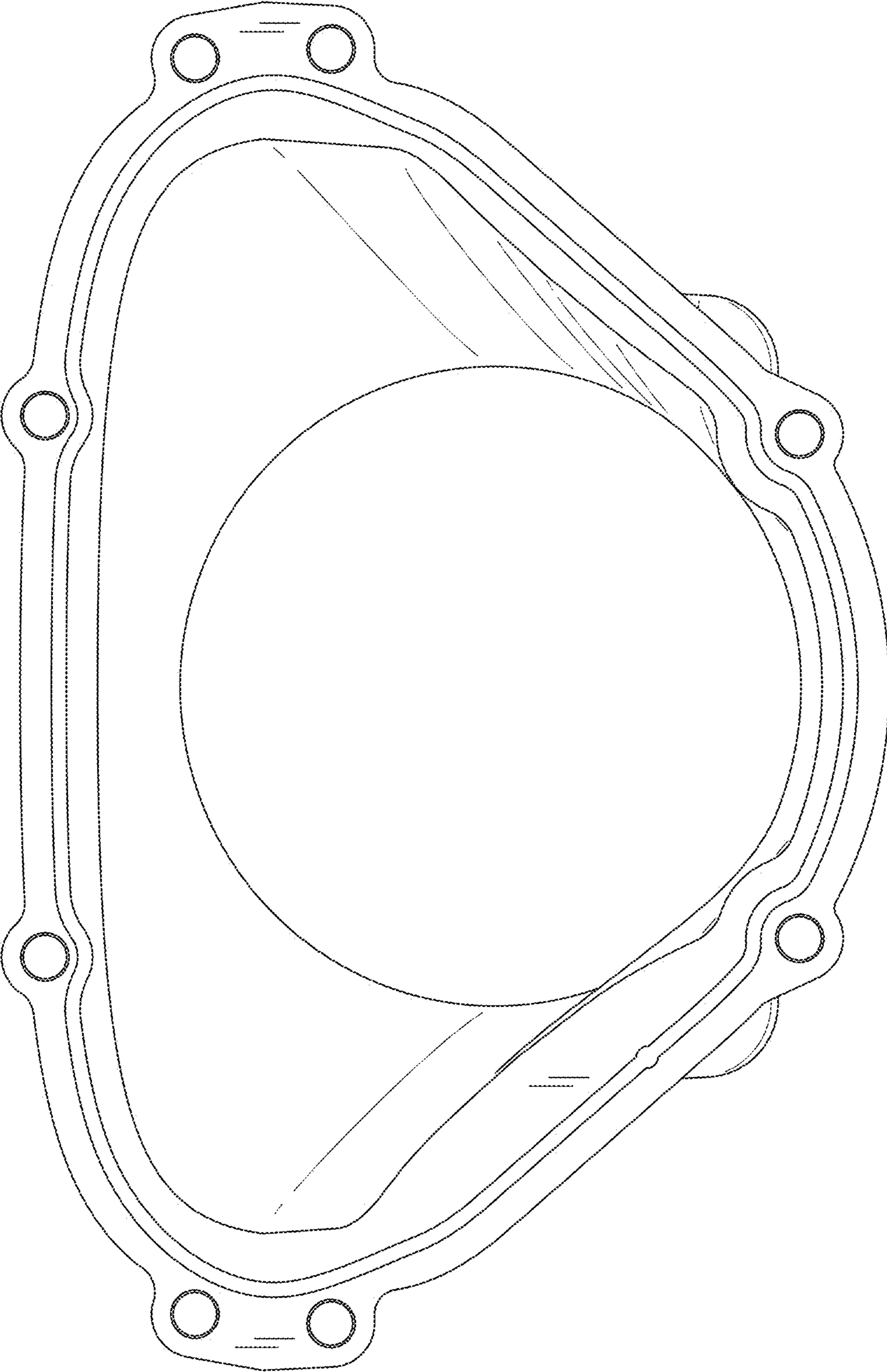


FIG. 8