



US00D980859S

(12) **United States Design Patent**
Lim et al.

(10) **Patent No.:** **US D980,859 S**
(45) **Date of Patent:** **** Mar. 14, 2023**

(54) **DISPLAY SCREEN WITH TRANSITIONAL GRAPHICAL USER INTERFACE**

FOREIGN PATENT DOCUMENTS

CN 103793048 5/2014

(71) Applicant: **Beta Bionics, Inc.**, Concord, MA (US)

OTHER PUBLICATIONS

(72) Inventors: **David Chi-Wai Lim**, Irvine, CA (US);
Edward R. Damiano, Acton, MA (US);
Michael J. Rosinko, Anaheim, CA (US);
Mads Henrik Dall, Copenhagen (DK)

Diabetes Connections, May 2, 2017, The iLet Bionic Pancreas, youtube.com, retrieved Nov. 1, 2022, <https://www.youtube.com/watch?v=mRAIXIoa8AA> (Year: 2017).*

(Continued)

(73) Assignee: **Beta Bionics, Inc.**, Concord, MA (US)

Primary Examiner — Katherine A Holbrow

(**) Term: **15 Years**

(74) *Attorney, Agent, or Firm* — Patnstr®, APC

(21) Appl. No.: **29/778,961**

(57) **CLAIM**

(22) Filed: **Apr. 15, 2021**

The ornamental design for a display screen with transitional graphical user interface, as shown and described.

DESCRIPTION

Related U.S. Application Data

(63) Continuation of application No. 16/814,925, filed on Mar. 10, 2020, now Pat. No. 11,278,661.

This application is related to U.S. application Ser. No. 29/776,041, filed Mar. 26, 2021, titled Display Screen with Animated Graphical User Interface, which is incorporated by reference and made a part of this specification.

(51) **LOC (14) Cl.** **14-04**

This invention was made with U.S. Government support under Contract No. DK120234, awarded by the National Institutes of Health. The Government has certain rights in the invention.

(52) **U.S. Cl.**
USPC **D14/486**

(58) **Field of Classification Search**
USPC D14/485–495
CPC A61B 5/4839; A61B 5/0022; A61B 5/742;
A61B 5/14503; A61B 5/7475; A61B 5/14532

FIG. 1 is a front view of a first image of an embodiment of a display screen with transitional graphical user interface embodying the new design; and,

See application file for complete search history.

FIG. 2 is a front view of a second image thereof.

(56) **References Cited**

U.S. PATENT DOCUMENTS

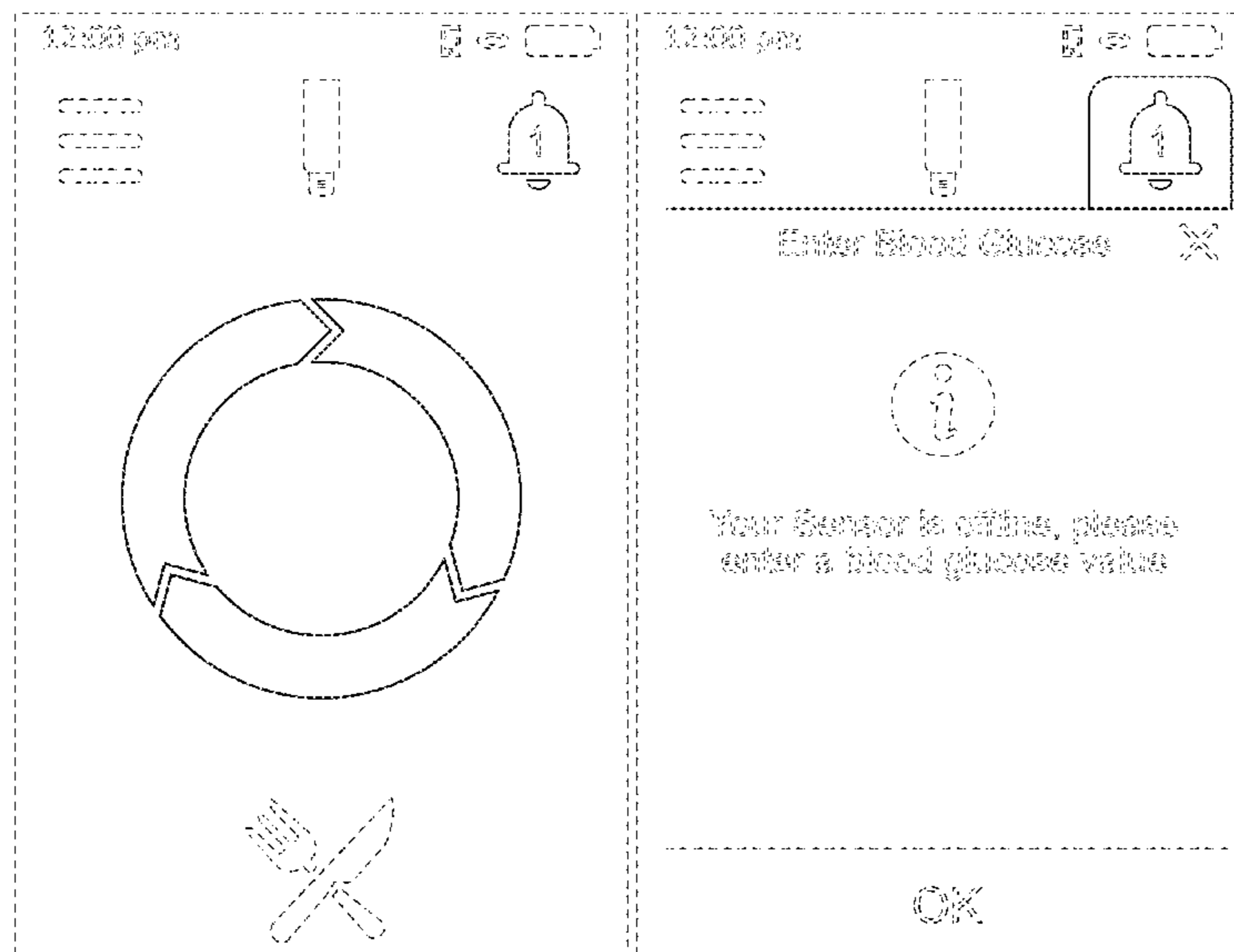
6,650,951 B1 11/2003 Jones et al.
6,744,350 B2 6/2004 Blomquist
6,852,104 B2 2/2005 Blomquist
D545,837 S * 7/2007 Haldimann D14/491
D592,223 S * 5/2009 Neuhaus D14/491

Broken lines are used to illustrate features and/or environmental structures and form no part of the claimed design, including broken lines showing the display screen and the remainder of the graphical user interface.

The appearance of the transitional image sequentially transitions between the images shown in FIGS. 1 to 2. The process or period in which one image transitions to another image forms no part of the claimed design.

(Continued)

1 Claim, 2 Drawing Sheets



(56)

References Cited

U.S. PATENT DOCUMENTS

7,806,854 B2 10/2010 Damiano et al.
 8,120,995 B2 * 2/2012 Liu G04G 15/006
 368/10
 8,192,394 B2 6/2012 Estes
 D665,163 S * 8/2012 Leifeld D3/203.2
 8,823,528 B2 9/2014 Blomquist
 D717,822 S * 11/2014 Brotman D14/486
 8,936,573 B2 1/2015 Blomquist
 9,078,971 B2 7/2015 Scarpaci
 9,114,210 B2 8/2015 Estes
 D747,731 S * 1/2016 Oliveira D14/486
 9,421,329 B2 8/2016 Kruse
 D792,907 S * 7/2017 Lim D14/491
 D794,068 S * 8/2017 Gyllensward D14/491
 9,731,072 B2 8/2017 Estes
 9,833,570 B2 12/2017 El-Khatib et al.
 9,844,627 B2 12/2017 Estes
 D810,098 S * 2/2018 Lee D14/485
 D811,420 S * 2/2018 Gaur D14/485
 9,940,441 B2 4/2018 Walsh
 9,959,746 B1 5/2018 Krishnamoorthy et al.
 10,052,049 B2 8/2018 Blomquist et al.
 D836,769 S * 12/2018 Kabel-Eckes D24/111
 D837,807 S * 1/2019 Baber D14/485
 D839,287 S * 1/2019 Hersh D14/486
 D849,039 S * 5/2019 Huh D14/486
 D858,571 S * 9/2019 Jang D14/489
 D868,809 S * 12/2019 Cullum D14/486
 10,543,313 B2 1/2020 Damiano et al.
 10,561,789 B2 2/2020 Mastrototaro et al.
 10,842,934 B2 11/2020 El-Khatib et al.
 D915,418 S * 4/2021 Osborne D14/485
 11,103,638 B2 * 8/2021 Rosinko G06F 21/6245
 2003/0065308 A1 4/2003 Lebel
 2004/0176984 A1 9/2004 White
 2008/0033360 A1 2/2008 Evans et al.
 2008/0125700 A1 5/2008 Moberg
 2008/0159737 A1 7/2008 Noble
 2008/0167641 A1 7/2008 Hansen et al.
 2008/0300572 A1 12/2008 Rankers
 2009/0005724 A1 1/2009 Regittnig
 2011/0040247 A1 2/2011 Mandro
 2012/0232520 A1 9/2012 Sloan
 2013/0191513 A1 7/2013 Kamen
 2014/0024907 A1 1/2014 Howell et al.
 2014/0046260 A1 2/2014 Kamen et al.
 2014/0276409 A1 9/2014 Rosinko et al.
 2014/0282003 A1 9/2014 Gruber et al.
 2014/0288947 A1 9/2014 Simpson

2015/0106121 A1 4/2015 Muhsin
 2016/0030669 A1 2/2016 Harris
 2016/0175520 A1 6/2016 Palerm
 2017/0100538 A1 4/2017 Mhatre et al.
 2017/0102846 A1 4/2017 Ebler et al.
 2017/0161439 A1 6/2017 Raduchel et al.
 2017/0286614 A1 10/2017 Morris
 2017/0296056 A1 10/2017 Hresko
 2017/0311903 A1 11/2017 Davis
 2019/0009019 A1 1/2019 Shor
 2019/0147721 A1 5/2019 Avitan
 2019/0344009 A1 11/2019 Damiano et al.
 2020/0274782 A1 8/2020 Balaiah et al.
 2020/0306445 A1 10/2020 Michaud
 2021/0030949 A1 2/2021 Damiano
 2021/0085865 A1 3/2021 Rosinko et al.
 2021/0090706 A1 3/2021 Rosinko et al.
 2021/0090727 A1 3/2021 Rosinko et al.
 2022/0077705 A1 3/2022 Takahashi et al.
 2022/0080118 A1 3/2022 Rosinko
 2022/0080119 A1 3/2022 Rosinko
 2022/0080120 A1 3/2022 Rosinko
 2022/0184300 A1 6/2022 Lim et al.
 2022/0184308 A1 6/2022 Patel et al.
 2022/0184309 A1 6/2022 Rosinko et al.
 2022/0193340 A1 6/2022 Patel

OTHER PUBLICATIONS

NEJM Group, Bionic Pancreas, Sep. 29, 2022, youtube.com, retrieved Nov. 1, 2022, <https://www.youtube.com/watch?v=hXkgZR4qJ9o> (Year: 2022).*

Panasovskyi, Oleksandr, three circle arrows, May 29, 2019, thenounproject.com, retrieved Nov. 1, 2022, <https://thenounproject.com/icon/three-circle-arrows-2700549/> (Year: 2019).*

Hein, Jun. 17, 2016, iOS 10's 'Raise to Wake' only works on new iPhones, <https://www.cultofmac.com/433989/ios-10s-raise-to-wake-only-works-on-new-iphones>, 6 pp.

Hoskins, Oct. 2, 2018, iLet "Bionic Pancreas" making progress with gen 4 device, Healthline, <https://www.healthline.com/diabetesmine/beta-bionics-ilet-update#1>, 15 pp.

Idlebrook, Jul. 30, 2019, Beta Bionics secures funding for pivotal iLet bionic pancreas trials, <https://t1dexchange.org/welcome-glu-users/articles/beta-bionics-secures-funding-for-pivotal-ilet-bionic-pancreas-trials>, 4 pp.

Krugman, Aug. 25, 2018, iLet Bionic Pancreas Interface, sarakrugman.com/ilet-interface, 3 pp.

Senior Tech Club, Aug. 16, 2018, Sleep and Shutdown—How To Know The Difference On Your Iphone, <https://www.seniortechclub.com/tech-recipe/sleep-shutdown-iphone-100>, 8 pp.

* cited by examiner

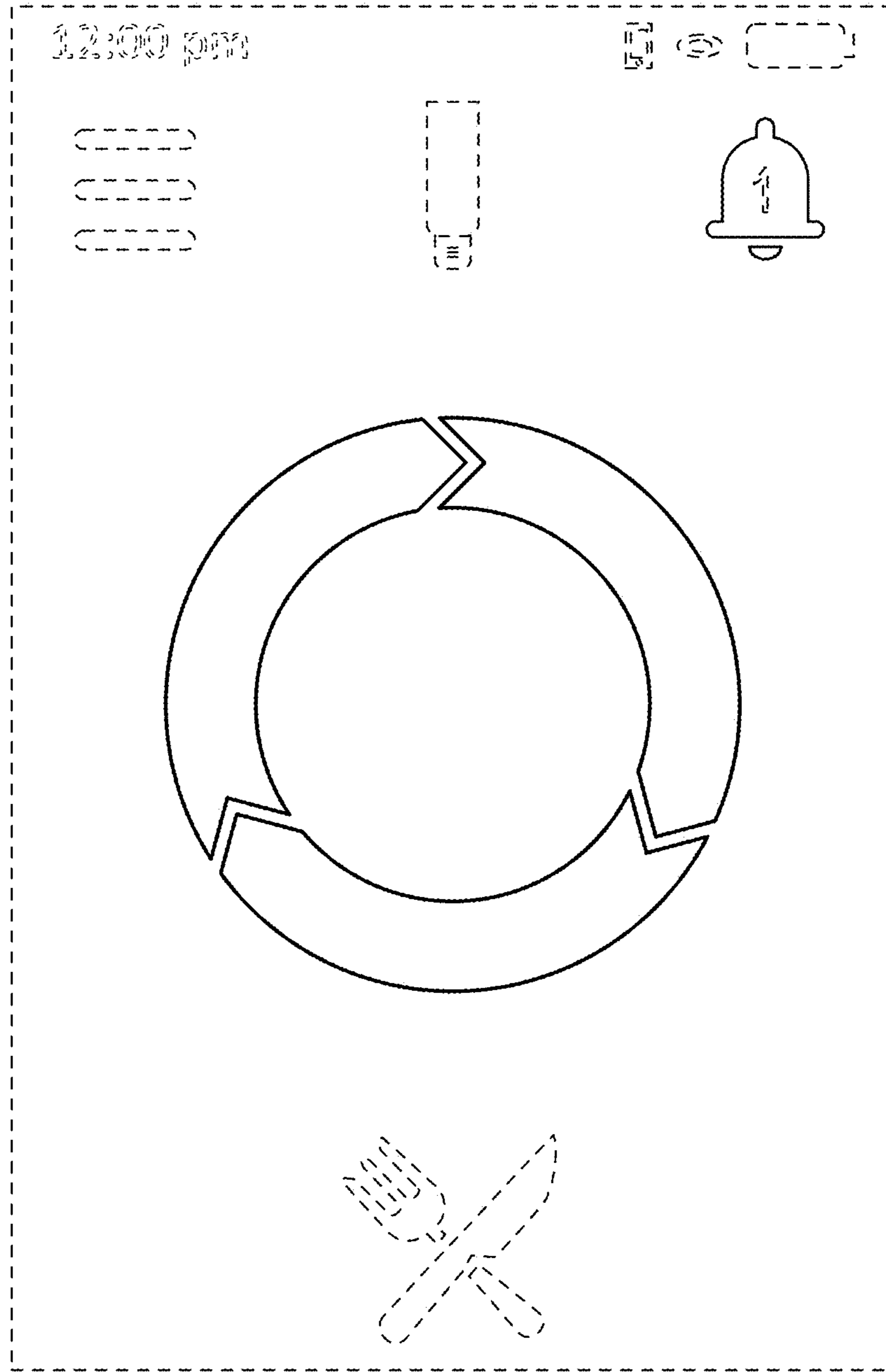


FIG. 1

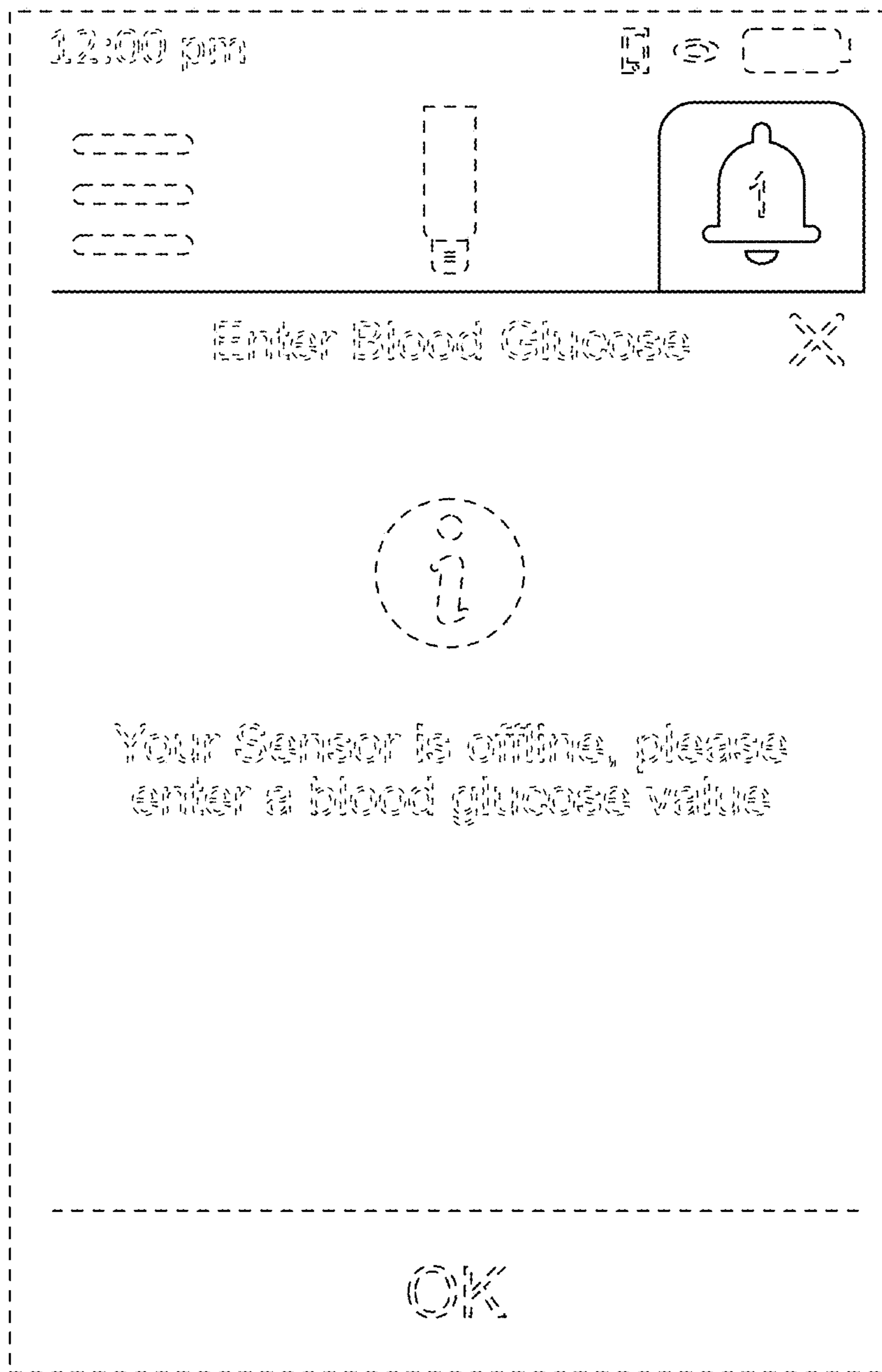


FIG. 2