



US00D980857S

(12) **United States Design Patent**
Lim et al.

(10) **Patent No.:** **US D980,857 S**
(45) **Date of Patent:** **** Mar. 14, 2023**

(54) **DISPLAY SCREEN WITH GRAPHICAL USER INTERFACE**

8,120,995 B2 * 2/2012 Liu G04G 15/006
368/10
D665,163 S * 8/2012 Leifeld D3/203.2
8,457,901 B2 6/2013 Beshan
8,823,528 B2 9/2014 Blomquist
D717,822 S * 11/2014 Brotman D14/486
8,936,573 B2 1/2015 Blomquist
D747,731 S * 1/2016 Oliveira D14/486
9,335,910 B2 5/2016 Farnan et al.

(71) Applicant: **Beta Bionics, Inc.**, Concord, MA (US)

(72) Inventors: **David Chi-Wai Lim**, Irvine, CA (US);
Edward R. Damiano, Acton, MA (US);
Michael J. Rosinko, Anaheim, CA
(US); **Mads Henrik Dall**, Copenhagen
(DK)

(Continued)

FOREIGN PATENT DOCUMENTS

(73) Assignee: **Beta Bionics, Inc.**, Concord, MA (US)

WO WO 00/28217 5/2000
WO WO 19/125932 6/2019

(**) Term: **15 Years**

(21) Appl. No.: **29/778,923**

OTHER PUBLICATIONS

(22) Filed: **Apr. 15, 2021**

Diabetes Connections, May 2, 2017, The iLet Bionic Pancreas,
youtube.com, retrieved Nov. 1, 2022, <https://www.youtube.com/watch?v=mRAIXIoa8AA> (Year: 2017).*

(Continued)

Related U.S. Application Data

(63) Continuation of application No. 16/814,925, filed on
Mar. 10, 2020, now Pat. No. 11,278,661.

(51) **LOC (14) Cl.** **14-04**

(52) **U.S. Cl.**
USPC **D14/486**

(58) **Field of Classification Search**
USPC D14/485-495
CPC A61B 5/4839; A61B 5/0022; A61B 5/742;
A61B 5/14503; A61B 5/7475; A61B
5/14532

See application file for complete search history.

Primary Examiner — Katherine A Holbrow

(74) *Attorney, Agent, or Firm* — Patnstr®, APC

(57) **CLAIM**

The ornamental design for a display screen with graphical
user interface, as shown and described.

DESCRIPTION

This invention was made with U.S. Government support
under Contract No. DK120234, awarded by the National
Institutes of Health. The Government has certain rights in
the invention.

The FIGURE is a front view of a display screen with
graphical user interface embodying the new design.

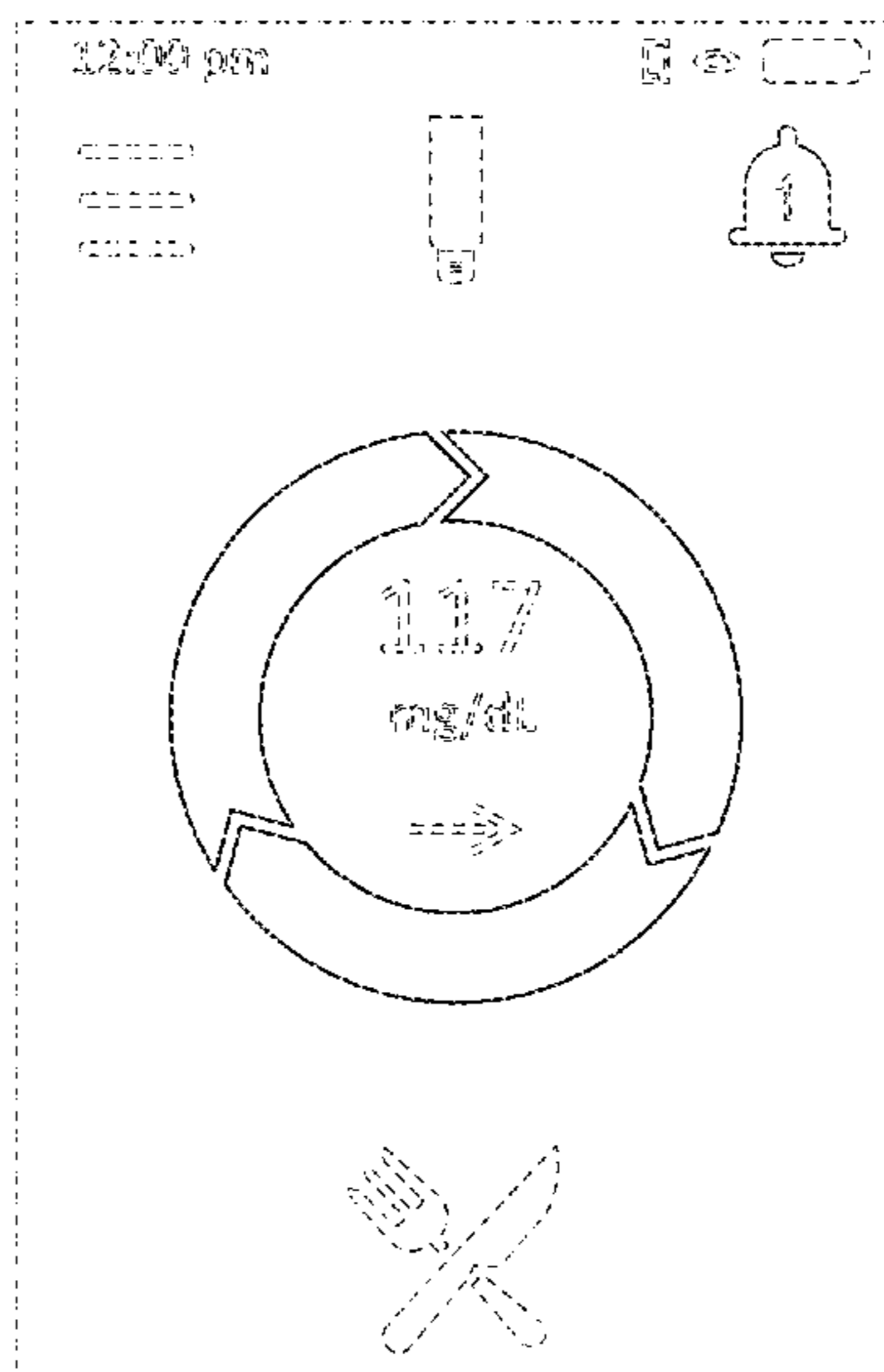
Broken lines are used to illustrate features and/or environ-
mental structures and form no part of the claimed design,
including broken lines showing the display screen and the
remainder of the graphical user interface.

(56) **References Cited**

U.S. PATENT DOCUMENTS

5,876,370 A 3/1999 Blomquist
6,164,921 A 12/2000 Moubayed
6,744,350 B2 6/2004 Blomquist
6,852,104 B2 2/2005 Blomquist
D545,837 S * 7/2007 Haldimann D14/491
D592,223 S * 5/2009 Neuhaus D14/491
7,806,854 B2 10/2010 Damiano

1 Claim, 1 Drawing Sheet



(56)

References Cited

U.S. PATENT DOCUMENTS

9,486,571 B2 11/2016 Rosinko
D792,907 S * 7/2017 Lim D14/491
9,715,327 B2 7/2017 Rosinko et al.
D794,068 S * 8/2017 Gyllensward D14/491
9,801,997 B2 10/2017 Estes et al.
9,814,835 B2 11/2017 Kruse et al.
9,833,570 B2 12/2017 El-Khatib et al.
D810,098 S * 2/2018 Lee D14/485
D811,420 S * 2/2018 Gaur D14/485
9,940,441 B2 4/2018 Walsh
9,980,140 B1 5/2018 Spencer et al.
10,010,273 B2 7/2018 Sloan et al.
10,117,993 B2 11/2018 Estes
D836,769 S * 12/2018 Kabel-Eckes D24/111
D837,807 S * 1/2019 Baber D14/485
D839,287 S * 1/2019 Hersh D14/486
10,213,547 B2 2/2019 Rosinko
10,272,200 B2 4/2019 Shapley et al.
D849,039 S * 5/2019 Huh D14/486
10,341,866 B1 7/2019 Spencer et al.
D858,571 S * 9/2019 Jang D14/489
10,434,253 B2 10/2019 DiPerna et al.
10,448,885 B2 10/2019 Schmid
10,449,294 B1 10/2019 Estes
10,478,551 B2 11/2019 Rosinko
D868,809 S * 12/2019 Cullum D14/486
10,541,987 B2 1/2020 Gillespie
10,543,313 B2 1/2020 Damiano et al.
10,569,016 B2 2/2020 Rosinko
10,603,433 B2 3/2020 Estes
10,653,834 B2 5/2020 Kruse
10,806,851 B2 9/2020 Rosinko
10,842,934 B2 11/2020 El-Khatib et al.
D915,418 S * 4/2021 Osborne D14/485
10,987,032 B2 4/2021 Ambrosio
11,081,226 B2 8/2021 Booth et al.
11,103,638 B2 * 8/2021 Rosinko G06F 21/6245
11,238,133 B1 2/2022 Brewer et al.
2003/0114836 A1 6/2003 Estes
2005/0143864 A1 6/2005 Blomquist
2005/0182366 A1 8/2005 Vogt et al.
2006/0229557 A1 10/2006 Fathallah
2007/0106510 A1 5/2007 Hsing et al.
2007/0255348 A1 11/2007 Holtzclaw
2008/0031740 A1 2/2008 Miyazaki et al.
2008/0033360 A1 2/2008 Evans et al.
2008/0106431 A1 5/2008 Blomquist
2008/0167641 A1 7/2008 Hansen et al.
2008/0312512 A1 12/2008 Brukal
2008/0312585 A1 12/2008 Brukal
2009/0006061 A1 1/2009 Thukral et al.
2009/0164239 A1 6/2009 Hayter et al.
2010/0010646 A1 1/2010 Drew
2010/0198143 A1 8/2010 Estes
2011/0152756 A1 6/2011 Drew
2011/0152770 A1 6/2011 DiPerna et al.
2012/0330228 A1 12/2012 Day
2013/0079708 A1 3/2013 Wimpenny
2013/0191513 A1 7/2013 Kamen
2013/0226339 A1 8/2013 Ervin
2013/0245604 A1 9/2013 Kouyoumjian
2013/0253465 A1 9/2013 Holtwick
2013/0297330 A1 11/2013 Kamen
2013/0317753 A1 11/2013 Kamen
2014/0005603 A1 1/2014 Holtwick
2014/0024907 A1 1/2014 Howell et al.
2014/0025392 A1 1/2014 Chandrasenan
2014/0046260 A1 2/2014 Kamen et al.
2014/0058349 A1 2/2014 Bazargan et al.
2014/0113553 A1 4/2014 Brukal
2014/0276409 A1 9/2014 Rosinko et al.
2014/0288947 A1 9/2014 Simpson et al.
2015/0057518 A1 2/2015 Lebel et al.
2015/0133886 A1 5/2015 Morris
2015/0150519 A1 6/2015 Glenn

2015/0151050 A1 6/2015 Estes
2015/0165117 A1 6/2015 Palerm
2015/0230760 A1 8/2015 Schneidern
2015/0343141 A1 12/2015 Lindo
2016/0030669 A1 2/2016 Harris
2016/0121047 A1 5/2016 Kruse
2016/0224751 A1 8/2016 Bieiwawa
2016/0317744 A1 11/2016 Estes et al.
2016/0350503 A1 12/2016 Jun
2017/0056590 A1 3/2017 DiPerna
2017/0100538 A1 4/2017 Mhatre et al.
2017/0102846 A1 4/2017 Ebler et al.
2017/0182248 A1 6/2017 Rosinko
2017/0203030 A1 7/2017 Brewer et al.
2017/0258986 A1 9/2017 Tsoukalis
2017/0316178 A1 11/2017 Riedel
2017/0345132 A1 11/2017 Schluter
2018/0021514 A1 1/2018 Rosinko
2018/0133398 A1 5/2018 Blomquist
2018/0200434 A1 7/2018 Mazlish et al.
2018/0280245 A1 10/2018 Khalid et al.
2019/0054236 A1 2/2019 Estes et al.
2019/0121524 A1 4/2019 Hakansson et al.
2019/0175823 A1 6/2019 Rosinko
2019/0344009 A1 11/2019 Damiano et al.
2019/0348165 A1 11/2019 Saint et al.
2020/0101223 A1 4/2020 Lintereur et al.
2020/0342974 A1 10/2020 Chen
2021/0085867 A1 3/2021 Rosinko et al.
2021/0085868 A1 3/2021 Lim et al.
2021/0085869 A1 3/2021 El-Khatib et al.
2021/0093781 A1 4/2021 Rosinko et al.
2021/0098105 A1 4/2021 Lee et al.
2021/0283332 A1 9/2021 Damiano et al.
2022/0080121 A1 3/2022 Rosinko
2022/0096748 A1 3/2022 El-Khatib
2022/0118179 A1 4/2022 Rosinko et al.
2022/0184306 A1 6/2022 Rosinko et al.
2022/0188388 A1 6/2022 Rosinko et al.
2022/0189602 A1 6/2022 Rosinko et al.
2022/0208331 A1 6/2022 Rosinko et al.
2022/0208370 A1 6/2022 Rosinko et al.
2022/0218905 A1 7/2022 Rosinko et al.
2022/0226571 A1 7/2022 Rosinko et al.

OTHER PUBLICATIONS

NEJM Group, Bionic Pancreas, Sep. 29, 2022, youtube.com, retrieved Nov. 1, 2022, <https://www.youtube.com/watch?v=hXkgZR4qJ9o> (Year: 2022).*

Panasovskyi, Oleksandr, three circle arrows, May 29, 2019, thenounproject.com, retrieved Nov. 1, 2022, <https://thenounproject.com/icon/three-circle-arrows-2700549/> (Year: 2019).*

Admin, Aug. 25, 2016, "What's the latest with the bionic pancreas?", published on Aug. 25, 2016 to <https://www.diabetes.co.uk/blog/2016/08/whats-the-latest-with-the-bionic-pancreas/>.

Brown et al., Apr. 1, 2016, "Introducing Beta Bionics: Bringing the iLet Bionic Pancreas to Market", published on Apr. 1, 2016 to <https://diatribe.org/introducing-beta-bionics-bringing-iLet-bionic-pancreas-market>, 3 pp.

Close, Jun. 13, 2013, "The Bionic Pancreas", published on Jun. 13, 2013 to <https://diatribe.org/bionic-pancreas>.

Damiano, Feb. 17, 2017, the Long and Winding Road to the Bionic Pancreas, presented on Feb. 17, 2017, published to https://professional.diabetes.org/sites/professional.diabetes.org/files/media/damiano_the_long_and_winding_road_to_the_bionic_pancreas_final.pdf.

Faulkner, May 23, 2018, "Beta Bionics wins FDA nod for home-use trial of artificial pancreas tech", published on May 23, 2018 to <https://www.drugdeliverybusiness.com/beta-bionics-wins-fda-nod-for-home-use-trial-of-artificial-pancreas-tech/>.

Gower, Jan. 24, 2018, "The Dawn of the Bionic Pancreas", published on Jan. 24, 2018 to protomag.com/articles/dawn-pancreas, retrieved on Jan. 27, 2021.

Harsch, May 3, 2016, "The Future of Diabetes: My 3 Weeks on a Bionic Pancreas", published on May 3, 2016 to <https://onedrop.today/blogs/blog/3-weeks-on-a-bionic-pancreas>.

(56)

References Cited

OTHER PUBLICATIONS

Hoskins, Oct. 2, 2018, iLet “Bionic Pancreas” making progress with gen 4 device, Healthline, <https://www.healthline.com/diabetesmine/beta-bionics-ilet-update#1>, 15 pp.

Idlebrook, Jul. 30, 2019, Beta Bionics secures funding for pivotal iLet bionic pancreas trials, <https://t1dexchange.org/welcome-glu-users/articles/beta-bionics-secures-funding-for-pivotal-ilet-bionic-pancreas-trials>, 4 pp.

Krugman, Aug. 25, 2018, iLet Bionic Pancreas Interface, sarakrugnian.com/ilet-interface, 3 pp.

Melvin, May 25, 2018, “New iLet Bionic Pancreas System Begins Clinical Trial Testing”, published on May 25, 2018 to <https://beyonddiabetes.org/new-iLet-bionio-pancreas-system-begins-clinical-trial-testing>.

Sifferlin, Apr. 1, 2016, The bionic pancreas is getting closer to reality, time.com, <https://time.com/4278068/bionic-pancreas-company>, 5 pp.

Smith, Mar. 10, 2017, “A BU Professor’s Bionic Pancreas Could Change Diabetes Treatment”, published on Mar. 10, 2017 to <https://www.bostonmagazine.com/health/2017/03/10/bionic-pancreas-ilet/>.

Stein, Jun. 16, 2014, “Father Devises A Bionic Pancreas To Help Son With Diabetes”, published on Jun. 16, 2014 to <https://www.npr.org/sections/health-shots/2014/06/16/320309856/father-devises-a-bionic-pancreas-to-help-son-with-diabetes>.

Torgan, Jan. 10, 2017, “Bionic pancreas treats adults with type 1 diabetes”, published on Jan. 10, 2017 to <https://www.nih.gov/news-events/nih-research-matters/bionio-pancreas-treats-adults-type-1-diabetes>.

* cited by examiner

