



US00D980848S

(12) **United States Design Patent** (10) **Patent No.:** **US D980,848 S**
Cullum et al. (45) **Date of Patent:** **** Mar. 14, 2023**

(54) **DISPLAY SCREEN OR PORTION THEREOF WITH GRAPHICAL USER INTERFACE AND ICON**

(71) Applicant: **StreamLabs, Inc.**, Whitehouse Station, NJ (US)

(72) Inventors: **Callie Cullum**, Atlanta, GA (US); **Sam Elia**, Atlanta, GA (US); **Ben Robinson**, Atlanta, GA (US); **Allison Applegate**, Atlanta, GA (US)

(73) Assignee: **StreamLabs, Inc.**, Whitehouse Station, NJ (US)

(**) Term: **15 Years**

(21) Appl. No.: **29/776,331**

(22) Filed: **Mar. 29, 2021**

Related U.S. Application Data

(60) Division of application No. 29/676,124, filed on Jan. 8, 2019, now Pat. No. Des. 916,731, which is a continuation of application No. 29/643,926, filed on Apr. 12, 2018, now Pat. No. Des. 871,431.

(51) **LOC (14) Cl.** **14-04**

(52) **U.S. Cl.**
USPC **D14/485**

(58) **Field of Classification Search**

USPC D14/485-495; D20/11; D21/324, 325
 CPC .. G06F 3/0481; G06F 3/04817; G06F 3/0482; G06F 3/0483; G06F 3/04842; G06F 3/0485; G06F 3/04855; G06F 3/0486; G06F 3/0488; G06F 3/04886; G06F 9/451; G06F 40/103; G06F 40/106; G06F 40/189; G06F 40/191; F16K 17/00; F16K 37/00; G01F 1/34; G01F 15/00

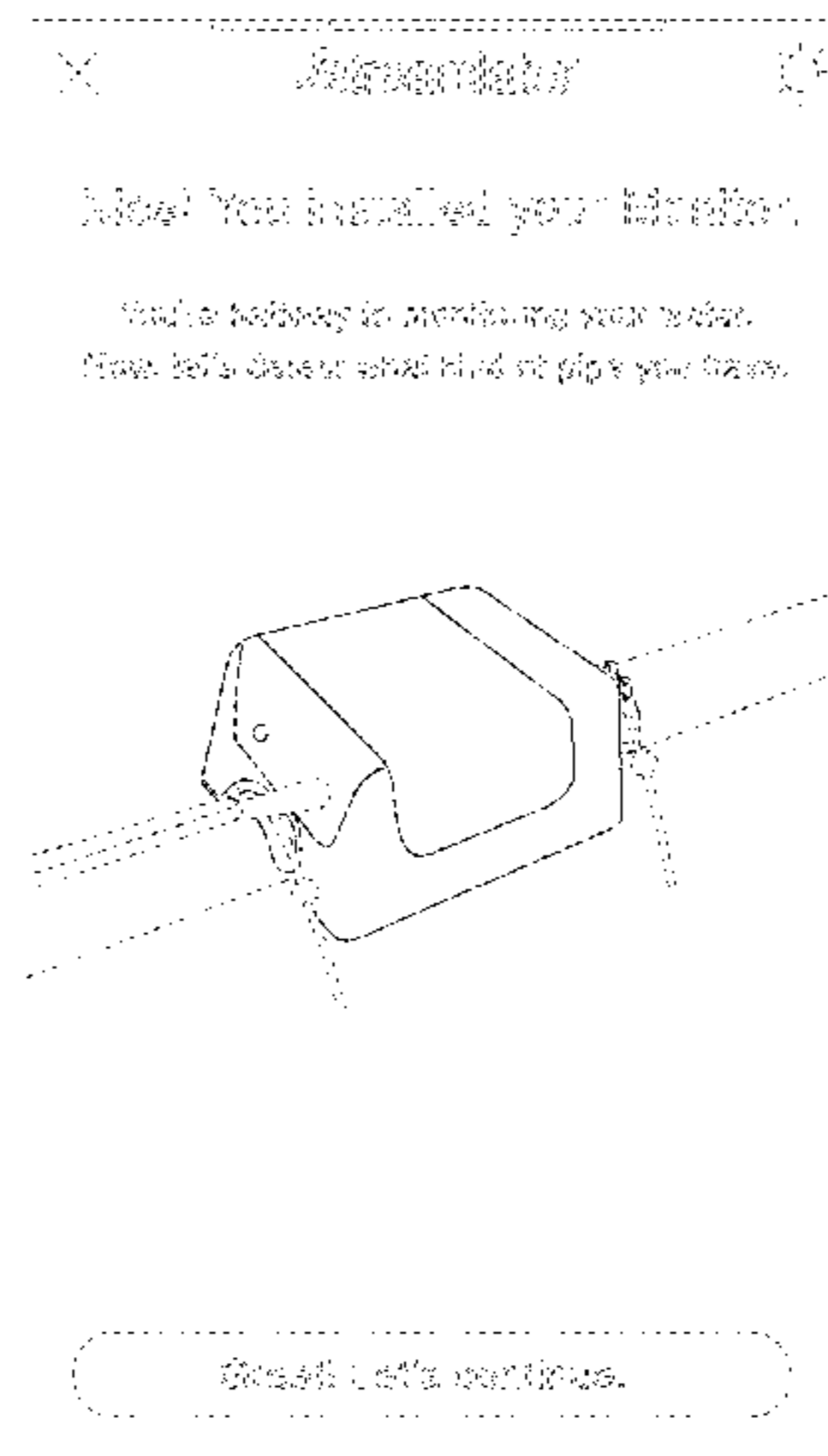
See application file for complete search history.

(56) **References Cited**

U.S. PATENT DOCUMENTS

5,751,606 A 5/1998 Migachyov et al.
 D547,767 S 7/2007 Jewitt
 D550,696 S 9/2007 Kortunn et al.

D550,697 S * 9/2007 Gusmorino D14/492
 D552,121 S 10/2007 Carl et al.
 D555,164 S 11/2007 Sergio
 D587,278 S 2/2009 Sans
 D591,306 S 4/2009 Setiawan et al.
 D595,312 S 6/2009 Nijjima
 D598,028 S * 8/2009 Motouji D14/489
 D601,576 S 10/2009 Arnell
 D604,308 S 11/2009 Takano
 D628,212 S 11/2010 Molden
 D629,009 S * 12/2010 O'Donnell D14/492
 D629,410 S 12/2010 Ray et al.
 D637,196 S 5/2011 Ray et al.
 D638,028 S 5/2011 Cook et al.
 D644,654 S 9/2011 Maitlen et al.
 D644,656 S 9/2011 Maitlen et al.
 D649,159 S 11/2011 Viggers et al.
 8,108,462 B2 1/2012 Morotomi
 D654,929 S 2/2012 Morrow et al.
 D664,984 S 8/2012 Lee et al.
 D678,903 S * 3/2013 Yoshida D14/492
 D681,649 S 5/2013 Fletcher et al.
 D690,311 S 9/2013 Waldman
 D694,256 S * 11/2013 Beger D14/486
 D694,778 S 12/2013 Gyllensward
 D701,879 S 4/2014 Foit et al.
 D701,881 S * 4/2014 Ryono D14/489
 8,701,014 B1 4/2014 Schlegel et al.
 D705,257 S 5/2014 Gerssen et al.
 D705,810 S 5/2014 Ma et al.
 D706,283 S 6/2014 Pedraza Padilla
 D716,325 S 10/2014 Brudnicki
 D728,611 S 5/2015 Takano
 D733,753 S 7/2015 Kim et al.
 D737,320 S 8/2015 McCormick
 D739,872 S 9/2015 Bang et al.
 D746,860 S 1/2016 Boot et al.
 D748,126 S 1/2016 Sarukkai et al.
 D752,098 S 3/2016 Kim et al.
 D752,624 S 3/2016 Butcher et al.
 D754,173 S 4/2016 Kim
 D754,682 S 4/2016 Lee et al.
 D754,686 S 4/2016 Mandeville
 D756,373 S 5/2016 Raskin et al.
 D757,105 S 5/2016 Park
 D758,422 S 6/2016 Zhao
 D759,695 S 6/2016 Chen et al.
 D760,761 S 7/2016 Willis
 D760,791 S 7/2016 Liu et al.
 D760,792 S 7/2016 Liu et al.
 D762,716 S 8/2016 Yang et al.
 D762,727 S * 8/2016 Tursi D14/492
 D763,308 S 8/2016 Wang et al.



US D980,848 S

D763,921 S 8/2016 Dharwada et al.
 D764,491 S 8/2016 Green et al.
 D764,516 S 8/2016 Lamparelli
 D766,302 S 9/2016 Phelan et al.
 D766,958 S 9/2016 Salazar Cardozo et al.
 D768,167 S 10/2016 Jones et al.
 D769,260 S 10/2016 Kim et al.
 D770,517 S 11/2016 Peng et al.
 D771,076 S 11/2016 Butcher et al.
 D771,705 S 11/2016 Dharwada et al.
 D772,893 S 11/2016 An
 D775,657 S 1/2017 Thomas et al.
 D776,138 S 1/2017 Cornell
 D776,682 S 1/2017 Kim et al.
 D777,186 S 1/2017 Armstrong
 D777,735 S 1/2017 Kim et al.
 D781,878 S 3/2017 Butcher et al.
 D781,879 S 3/2017 Butcher et al.
 D783,037 S 4/2017 Hariharan et al.
 9,626,069 B2 4/2017 Voorhees et al.
 D785,672 S 5/2017 Keim et al.
 D786,821 S 5/2017 Engelhard et al.
 D786,932 S 5/2017 Kim et al.
 D787,533 S 5/2017 Butcher et al.
 D787,536 S 5/2017 Pantelis
 D788,792 S 6/2017 Alessandri et al.
 D789,401 S 6/2017 Oh et al.
 D791,160 S 7/2017 Jang et al.
 D795,284 S 8/2017 Miller et al.
 D795,918 S 8/2017 Bischoff et al.
 D797,763 S 9/2017 Kim et al.
 D798,311 S 9/2017 Golden et al.
 D800,739 S 10/2017 Sukumaran et al.
 D801,359 S 10/2017 Jungmann et al.
 D803,242 S 11/2017 Mizono et al.
 D804,502 S 12/2017 Amini et al.
 D806,107 S 12/2017 Kim et al.
 D807,376 S 1/2018 Mizono et al.
 D807,390 S 1/2018 Holm et al.
 D807,391 S 1/2018 Seemakurty et al.
 9,874,466 B2 1/2018 Leaders et al.
 D815,649 S 4/2018 Chen et al.
 D816,713 S 5/2018 Kang
 D822,707 S 7/2018 Sukumaran et al.
 D822,710 S 7/2018 Loi et al.
 D823,859 S 7/2018 Boyd
 D824,416 S 7/2018 Memmelaar et al.
 D824,420 S 7/2018 Dellinger
 D824,422 S * 7/2018 Boot D14/492
 D825,595 S 8/2018 Narinedhat et al.
 D829,225 S 9/2018 Gandhi et al.
 D835,141 S 12/2018 Li et al.
 D840,415 S 2/2019 Yoon et al.
 D840,423 S 2/2019 Narinedhat et al.
 D841,660 S 2/2019 Mercado
 D843,381 S 3/2019 Wassell et al.
 D845,325 S 4/2019 Akana et al.
 D848,459 S 5/2019 Li
 D851,099 S 6/2019 Uppala et al.
 D851,105 S 6/2019 Uppala et al.
 D852,837 S 7/2019 Mazlish et al.
 D854,032 S 7/2019 Jones et al.
 D858,567 S 9/2019 Bacchus
 D860,222 S 9/2019 Cen
 D861,725 S 10/2019 Park et al.
 D862,498 S 10/2019 Bae
 D867,601 S 11/2019 Henry et al.
 D868,809 S 12/2019 Cullum et al.
 D869,499 S 12/2019 Cronin et al.
 D871,431 S 12/2019 Cullum et al.
 D871,432 S 12/2019 Robinson et al.
 D874,513 S 2/2020 Whitmore
 D875,777 S 2/2020 Soli et al.
 D878,400 S 3/2020 Georgallis
 D879,118 S 3/2020 Chen et al.
 D895,674 S * 9/2020 Zurmoehle D14/489
 D901,515 S 11/2020 Wahnnon et al.
 D910,709 S 2/2021 Cullum et al.
 D942,502 S 2/2022 Cullum et al.

D944,846 S * 3/2022 Becker D14/486
 2002/0054066 A1 5/2002 Kikinis et al.
 2005/0005249 A1 1/2005 Hill et al.
 2007/0006885 A1 1/2007 Shultz et al.
 2007/0083825 A1 4/2007 Chaudhri et al.
 2009/0121853 A1 5/2009 Eich et al.
 2010/0235736 A1 9/2010 Fleisher et al.
 2011/0015798 A1 1/2011 Golden et al.
 2011/0197163 A1 8/2011 Jegal et al.
 2012/0056827 A1 3/2012 Kim et al.
 2014/0059468 A1 2/2014 Allgair
 2014/0096850 A1 4/2014 Filkovski et al.
 2014/0101616 A1 4/2014 Kim et al.
 2015/0045641 A1 * 2/2015 Rule A61B 5/150229
 600/347
 2015/0193495 A1 7/2015 Zhang et al.
 2015/0309689 A1 10/2015 Jin et al.
 2016/0038276 A1 2/2016 Albertazzi
 2016/0048589 A1 2/2016 Modi
 2016/0058337 A1 3/2016 Blahnik et al.
 2016/0113594 A1 4/2016 Koehler et al.
 2016/0306507 A1 10/2016 Defazio et al.
 2017/0003848 A1 1/2017 Wakayanagi et al.
 2020/0017345 A1 1/2020 Karibandi et al.

OTHER PUBLICATIONS

“How do I install the Monitor?” Oct. 30, 2020, posted at support.streamlabswater.com, [site visited Dec. 19, 2022]. <https://web.archive.org/web/20201030125540/https://support.streamlabswater.com/hc/en-us/articles/115002753814-How-do-I-install-the-Monitor-> (Year: 2020).*

“How to Setup an Endress+Hauser Picomag Flow Meter” Apr. 26, 2018, posted at youtube.com, [site visited Dec. 19, 2022]. <https://www.youtube.com/watch?v=PbWAd4s7n7A> (Year: 2018).*

[No Author Listed] [online] “A holistic approach to your event marketing needs” dated Mar. 15, 2017, posted at lomaagency.com, retrieved on May 6, 2020, retrieved from URL <<https://web.archive.org/web/20170315132609/https://lomaagency.com/services2017>>, 3 pages.

[No Author Listed] [online], “Introducing Flo by Moen: Smart Home Water Monitor & Leak Detector,” available on or before Mar. 21, 2019, retrieved on Nov. 3, 2021, retrieved from URL <<https://www.plumbersstock.com/blog/introducing-flo-by-moen-smart-home-water-monitor-leak-detector>>, 4 pages.

[No Author Listed] [online], “Ok Timer,” available on or before Apr. 1, 2014, retrieved on Nov. 3, 2021, retrieved from URL <http://web.archive.org/web/2014*/http://cafebazaar.ir:80/app/com.gau.go.launcherex.gowidget.timer/?l=en> 1 page.

[No Author Listed] [online], “Tutorial 03: Liquid Text Fill with a Path in After Effects,” dated Dec. 3, 2016, posted at youtube.com, retrieved on Oct. 18, 2020, retrieved from URL <<https://www.youtube.com/watch?v=LuiDob7EbwY>>, 2 pages.

CA Office Action other than Search Report on CA Appl. Ser. No. 187122 dated May 12, 2020, 3 pages.

Cory, “Public Pool Marks,” dated Apr. 10, 2018, posted at dribbble.com, retrieved on Nov. 3, 2021, retrieved from URL <<https://dribbble.com/shots/4457349-Public-Pool-marks>>, 22 pages.

Ershov, “Plumbing” dated Jul. 14, 2018, posted at iconfinder.com, retrieved on May 6, 2020, retrieved from URL <<https://www.iconfinder.com/iconsets/plumbing-ll> 2018>, 3 pages.

Gallant, “How to Use the Liquid Fill Gauge—Power BI Custom Visual” dated Oct. 18, 2016, posted at youtube.com, retrieved on Oct. 18, 2020, retrieved from URL <<https://www.youtube.com/watch?v=wQ51TTqZc4>>, 2 pages.

Lee, “How to create app stickers—27 tips” dated Mar. 24, 2020, posted at digitalartsonline.co.uk, retrieved on May 6, 2020, retrieved from URL <<http://www.digitalartsonline.co.uk>>, 2 pages.

Lysenkoalexander, “Meter Dashboard Icon,” dated Sep. 3, 2018, retrieved on Oct. 4, 2021, retrieved from URL <<https://www.istockphoto.com/vector/meter-dashboard-icon-in-flat-style-credit-score-indicator-level-vector-illustration-gml029939708-275977902>>, 6 pages.

MX Office Action on MX Appl. Ser. No. MX/f/2019/001101 dated Sep. 24, 2020, 6 pages (with English translation).

Non-Final Office Action on U.S. Appl. No. 29/643,927 dated Apr. 1, 2019, 7 pages.

Non-Final Office Action on U.S. Appl. No. 29/643,928 dated Mar. 19, 2019, 7 pages.

Notice of Allowance on U.S. Appl. No. 29/643,927 dated Aug. 29, 2019, 7 pages.

Notice of Allowance on U.S. Appl. No. 29/643,928 dated Jul. 19, 2019, 8 pages.

Notice of Allowance on U.S. Appl. No. 29/643,929 dated Mar. 29, 2019, 8 pages.

Notice of Allowance on US Appl. No. 29/676,140 dated May 13, 2020, 8 pages.

Popic, "Pipe Icons" dated Jun. 21, 2016, retrieved from URL <<https://www.istockphoto.com/vector/pipe-icons-lyra-seriesgm540576904-96550283>>, 7 pages.

Prokop, "One of four progress bars" dated May 20, 2014, posted at dribbble.com, retrieved on Nov. 3, 2021, retrieved from URL <<https://dribbble.com/shots/1560724-One-of-four-progress-bars>>, 22 pages.

Surawanshi, "Progress Kit," dated Mar. 2018, posted at cocoapods.org, retrieved on Sep. 30, 2020, retrieved from URL <<https://cocoapods.org/pods/ProgressKit>>, 3 pages.

US Notice of Allowance on US Appl. No. 29/668,089 dated Jan. 1, 2021, 2 pages.

US Notice of Allowance on U.S. Appl. No. 29/668,089 dated Nov. 5, 2020, 2 pages.

US Notice of Allowance on U.S. Appl. No. 29/668,089 dated Sep. 25, 2020, 7 pages.

US Notice of Allowance on U.S. Appl. No. 29/676,141 dated Jul. 31, 2020, 6 pages.

US Notice of Allowance on U.S. Appl. No. 29/676,141 dated Nov. 4, 2020, 2 pages.

US Notice of Allowance on U.S. Appl. No. 29/699,522 dated Jan. 14, 2021, 2 pages.

US Notice of Allowance on U.S. Appl. No. 29/699,522 dated Nov. 6, 2020, 3 pages.

US Notice of Allowance on U.S. Appl. No. 29/699,522 dated Oct. 7, 2020, 7 pages.

US Notice of Allowance on U.S. Appl. No. 29/699,525 dated Jan. 14, 2021, 2 pages.

US Notice of Allowance on U.S. Appl. No. 29/699,525 dated Nov. 10, 2020, 2 pages.

US Notice of Allowance on U.S. Appl. No. 29/699,525 dated Oct. 6, 2020, 7 pages.

US Notice of Allowance on U.S. Appl. No. 29/699,529 dated Jan. 25, 2021, 3 pages.

US Notice of Allowance on U.S. Appl. No. 29/699,529 dated Nov. 6, 2020, 2 pages.

US Notice of Allowance on U.S. Appl. No. 29/699,529 dated Oct. 28, 2020, 7 pages.

US Office Action on U.S. Appl. No. 29/668,089 dated Jun. 5, 2020, 5 pages.

US Office Action on U.S. Appl. No. 29/676,141 dated May 12, 2020, 4 pages.

"Blue loading bars and spinner" May 19, 2019, posted at depositphotos.com [site visited Jul. 3, 2019] <https://depositphotos.com> (1 page).

"Data Control App," posted at dribbble.com, retrieved from <https://dribbble.com/shots/2008738-Data-Control-App> (Apr. 7, 2015) (1 page).

"Loading bars vector" Feb. 17, 2014, posted at vectorstock.com [site visited Jul. 3, 2019], <https://web.archive.org/web/20140217005852> (1 page).

"Save Water Mobile App" Mar. 27, 2017, posted at dribbble.com, [site visited May 7, 2020], <https://dribbble.com/shots/3393422-Save-Water-Mobile-App> 2017, (1 page).

"Streamlabs: The easy way to stay in sync with your water," posted at streamlabswater.com, retrieved from: <https://web.archive.org/web/20180820204719> (Aug. 20, 2018) (2 pages).

"Television Volume Collection—Green Screen Animation" Apr. 6, 2013, posted at youtube.com [site visited Jul. 3, 2019] <https://www.youtube.com> (1 page).

"The Fuel Minder Store" Jan. 26, 2019, posted at fuelminder.biz, [site visited May 7, 2020], <https://fuelminder.biz/Streamlabs/streamlabs.html> 2019, (5 pages).

"throbber.gif" retrieved from: <https://web.archive.org/web/20170920074106/https://www.floatinghospital.org/ui/images/throbber.gif> (Sep. 20, 2017) (1 page).

Dihich, Kate, "Progress bar for mobile app," retrieved from: <https://dribbble.com/shots/2329063-progress-bar-for-mobile-app> (Nov. 2, 2015) (1 page).

Horse, "Amphiro b1 Energy Tracker And Smart Meters For The Shower" Dec. 2, 2014, posted at geeky-gadgets.com, [site visited May 7, 2020], <https://www.geeky-gadgets.com/amphiro-b1-energy-tracker-and-smart-meters-for-the-shower>-Feb. 12, 2014 (2 pages).

Maricic, Lovro, "How to create circular loading animation using Principle for Mac," posted at medium.com, retrieved from: <https://medium.com/@lovromaricic/how-to-create-circular-loading-animation-using-principle-for-mac-1138c70759ea> (Jan. 5, 2017) (10 pages).

Non-Final Office Action on U.S. Appl. No. 29/643,926 dated Apr. 1, 2019 (7 pages).

Notice of Allowance on U.S. Appl. No. 29/643,926 dated Aug. 21, 2019 (8 pages).

Stevens, Elias, "Best Data Monitoring Apps," posted at bestandroidapps.com, retrieved from <https://bestandroidapps.com/best-data-monitoring-apps> (Dec. 15, 2015) (5 pages).

US Notice of Allowance on U.S. Appl. No. 29/676,124 dated Oct. 22, 2020 (6 pages).

US Office Action on U.S. Appl. No. 29/676,124 dated May 20, 2020 (8 pages).

* cited by examiner

Primary Examiner — John M Otte
(74) *Attorney, Agent, or Firm* — Fish & Richardson P.C.

(57) **CLAIM**

We claim the ornamental design for a display screen or portion thereof with graphical user interface and icon, as shown and described.

DESCRIPTION

FIG. 1 is a front view of an embodiment of the claimed design of a display screen or portion thereof with a graphical user interface; and,

FIG. 2 is a front view of another embodiment of the claimed design of a display screen or portion thereof with a graphical user interface.

The outermost broken lines in the Figures illustrate a display screen or portion thereof and form no part of the claimed design. The other broken lines in the Figures illustrate portions of the graphical user interface that form no part of the claimed design.

1 Claim, 2 Drawing Sheets

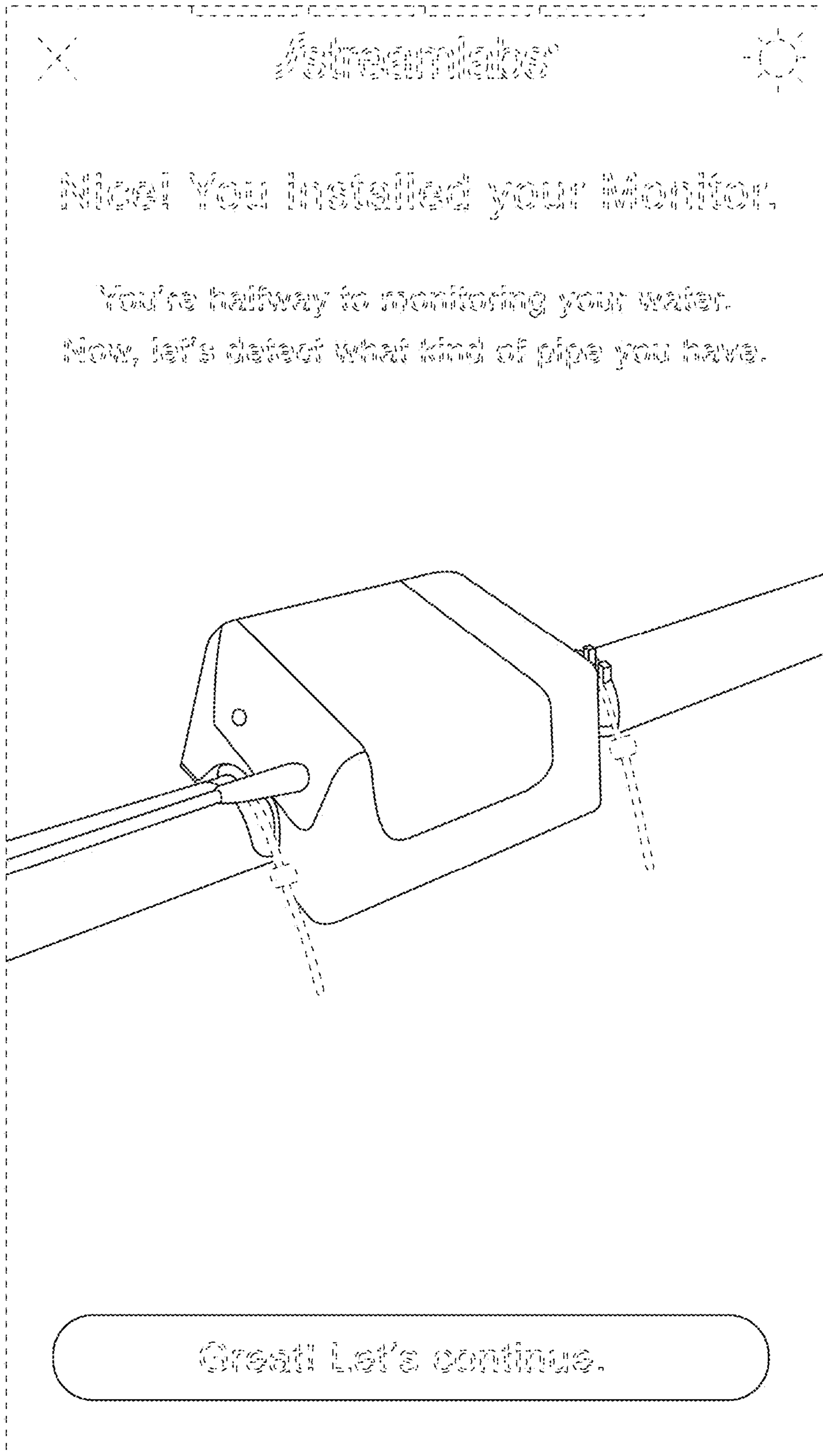


FIG. 1

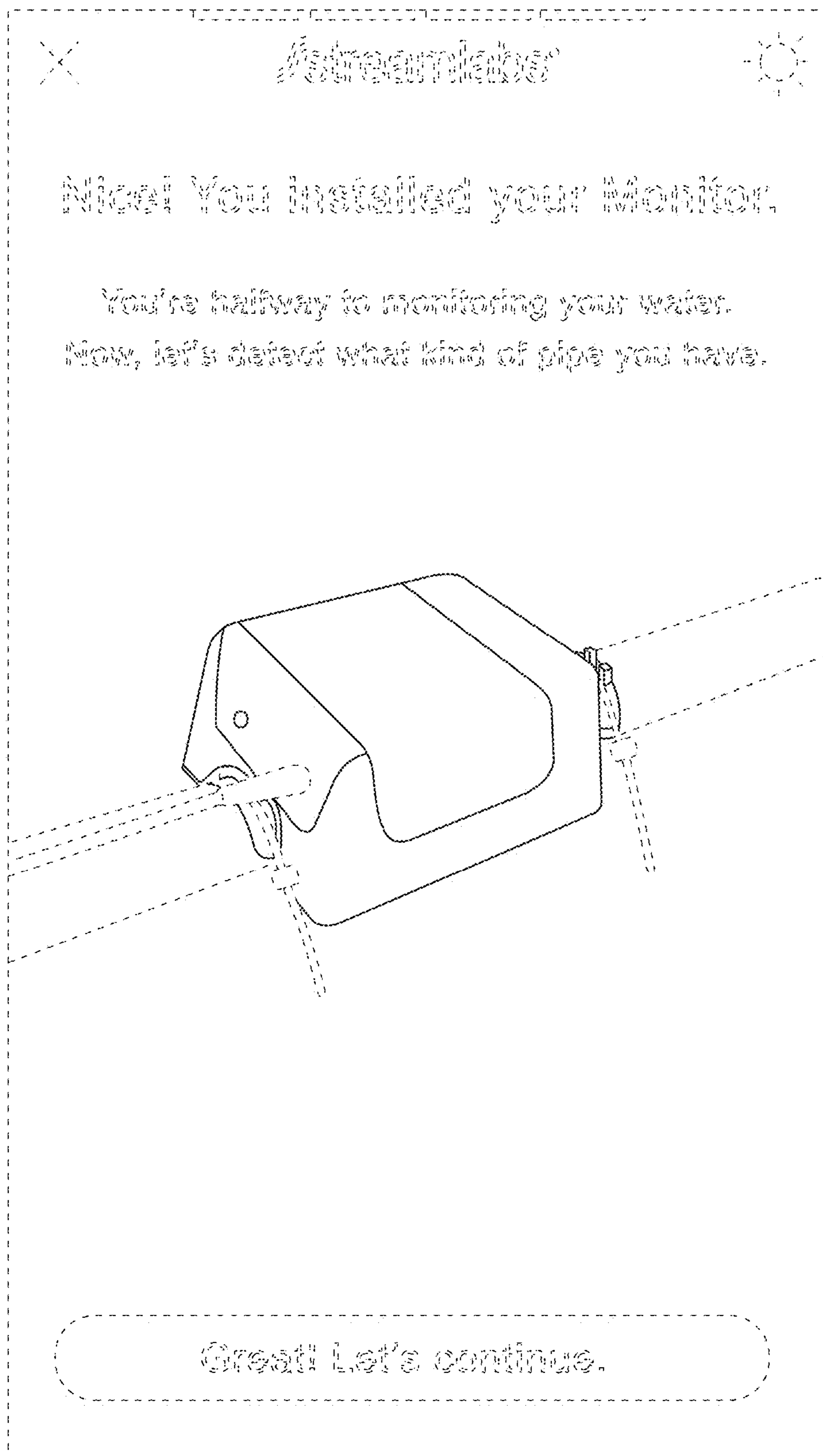


FIG. 2