



US00D980843S

(12) **United States Design Patent**
Chen

(10) **Patent No.:** **US D980,843 S**

(45) **Date of Patent:** **** Mar. 14, 2023**

(54) **TELESCOPIC DOCKING STATION**

(71) Applicant: **Shenzhen Dingzhen Technology Co., Ltd.**, Shenzhen (CN)

(72) Inventor: **Yanling Chen**, Shenzhen (CN)

(73) Assignee: **Shenzhen Dingzhen Technology Co., Ltd.**, Shenzhen (CN)

(**) Term: **15 Years**

(21) Appl. No.: **29/850,353**

(22) Filed: **Aug. 18, 2022**

(51) **LOC (14) Cl.** **14-04**

(52) **U.S. Cl.**
USPC **D14/434**

(58) **Field of Classification Search**
USPC D14/300–302, 305–314, 348–350,
D14/352–359, 388, 432–435.1, 439, 441,
D14/443, 140.2, 140.3, 230, 257;
D13/133, 184
CPC G06F 1/1632; G06F 1/1633; G06F 1/1635;
G06F 1/1656; G06F 1/166; G06F 1/1658;
G06F 1/1684; G06F 1/18; G06F 1/181;
G06F 1/26; G06F 1/263; G06F 1/266;
G06F 1/28; G06F 1/30; G06F 1/305;
G06F 1/32; G06F 13/00; H05K 7/00;
H05K 5/0086

See application file for complete search history.

(56) **References Cited**

U.S. PATENT DOCUMENTS

D364,610 S * 11/1995 Sanchez D14/388
D369,789 S * 5/1996 Lucente, II D14/434
D375,486 S * 11/1996 Shinano D14/357
5,604,663 A * 2/1997 Shin G06F 1/1632
361/679.43
D386,153 S * 11/1997 Crump D14/356
5,764,481 A * 6/1998 Ruch G11B 33/128
D395,871 S * 7/1998 Lino D14/434

D396,454 S * 7/1998 Shima D14/434
5,825,617 A * 10/1998 Kochis G06F 1/1684
361/679.56
D412,702 S * 8/1999 Goto D14/434
D415,741 S * 10/1999 Lee D14/434
D416,547 S * 11/1999 Lee D14/434
D423,473 S * 4/2000 Iwamoto D14/434
6,280,212 B1 * 8/2001 Nguyen G06F 1/1632
439/157
D468,732 S * 1/2003 Zdinak D14/257
D470,849 S * 2/2003 Bertagnole D14/434
D476,660 S * 7/2003 Tanaka D14/435
D554,582 S * 11/2007 Iseki D14/434
D668,255 S * 10/2012 McManigal D14/434
D679,265 S * 4/2013 Lee D14/204

(Continued)

OTHER PUBLICATIONS

Thunderbolt 3 Laptop Dock, posted at PEI, posting date Aug. 30, 2019. Site visited Nov. 5, 2022. URL: <<https://www.pei.com/laptop-docks-thunderbolt-3/>> (Year: 2019).*

Primary Examiner — Kathleen L Jones

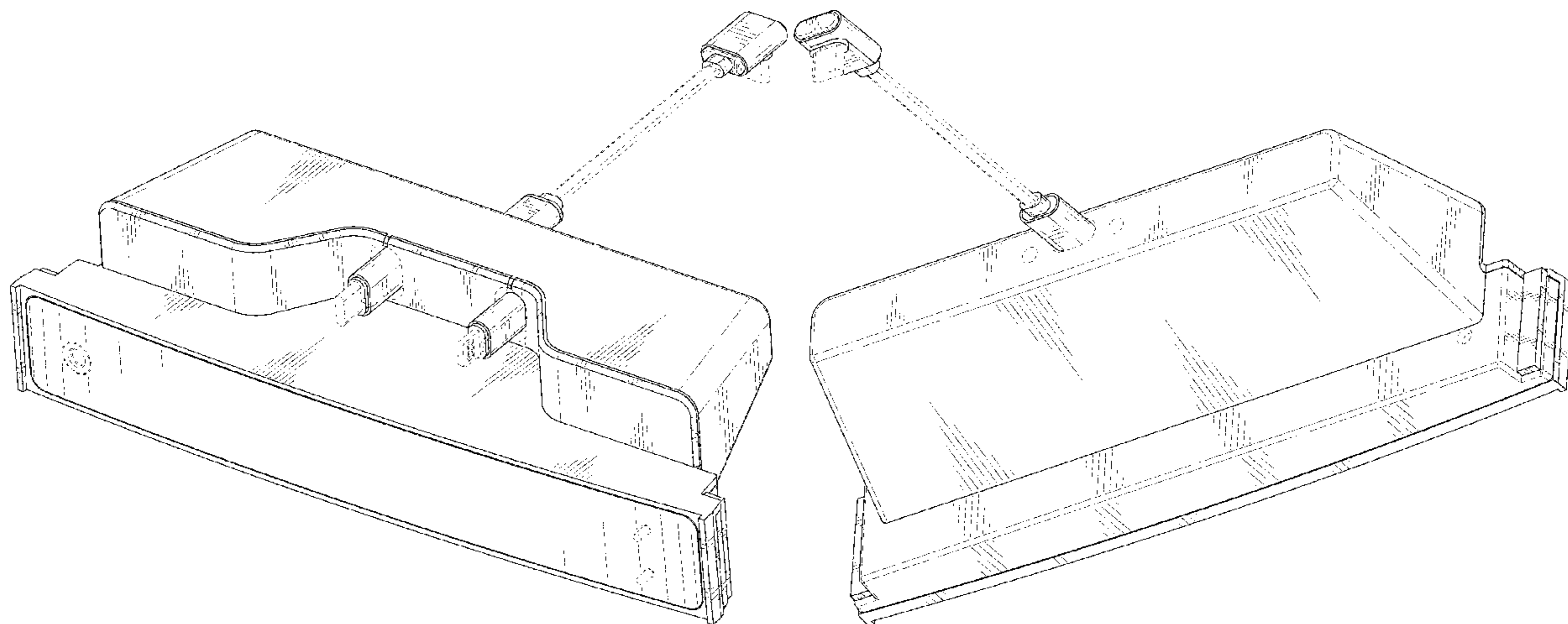
(57) **CLAIM**

The ornamental design for a telescopic docking station, as shown and described.

DESCRIPTION

FIG. 1 is a front, right and perspective view of a telescopic docking station showing my new design;
FIG. 2 is a rear, left and bottom perspective view thereof;
FIG. 3 is a front view thereof;
FIG. 4 is a rear view thereof;
FIG. 5 is a left side view thereof;
FIG. 6 is a right side view thereof;
FIG. 7 is a top plan view thereof; and,
FIG. 8 is a bottom plan view thereof.
The broken lines in the figures illustrate portions of the telescopic docking station that form no part of the claimed design.

1 Claim, 8 Drawing Sheets



(56)

References Cited

U.S. PATENT DOCUMENTS

D750,631 S * 3/2016 Kim D14/434
D780,762 S * 3/2017 Ju D14/434
D901,507 S * 11/2020 Klinkman D14/434
D919,628 S * 5/2021 Ma D14/433
D924,131 S * 7/2021 Kuo D14/434
D939,505 S * 12/2021 Zhang D14/433
D950,561 S 5/2022 Zhang et al.
D950,562 S 5/2022 Zhang et al.
D954,714 S * 6/2022 Lu D14/434
2006/0098407 A1 * 5/2006 Hsu G06F 1/1632
361/679.43
2018/0307275 A1 * 10/2018 Peil H02J 7/0013
2021/0271291 A1 * 9/2021 Keene H01R 13/6205

* cited by examiner

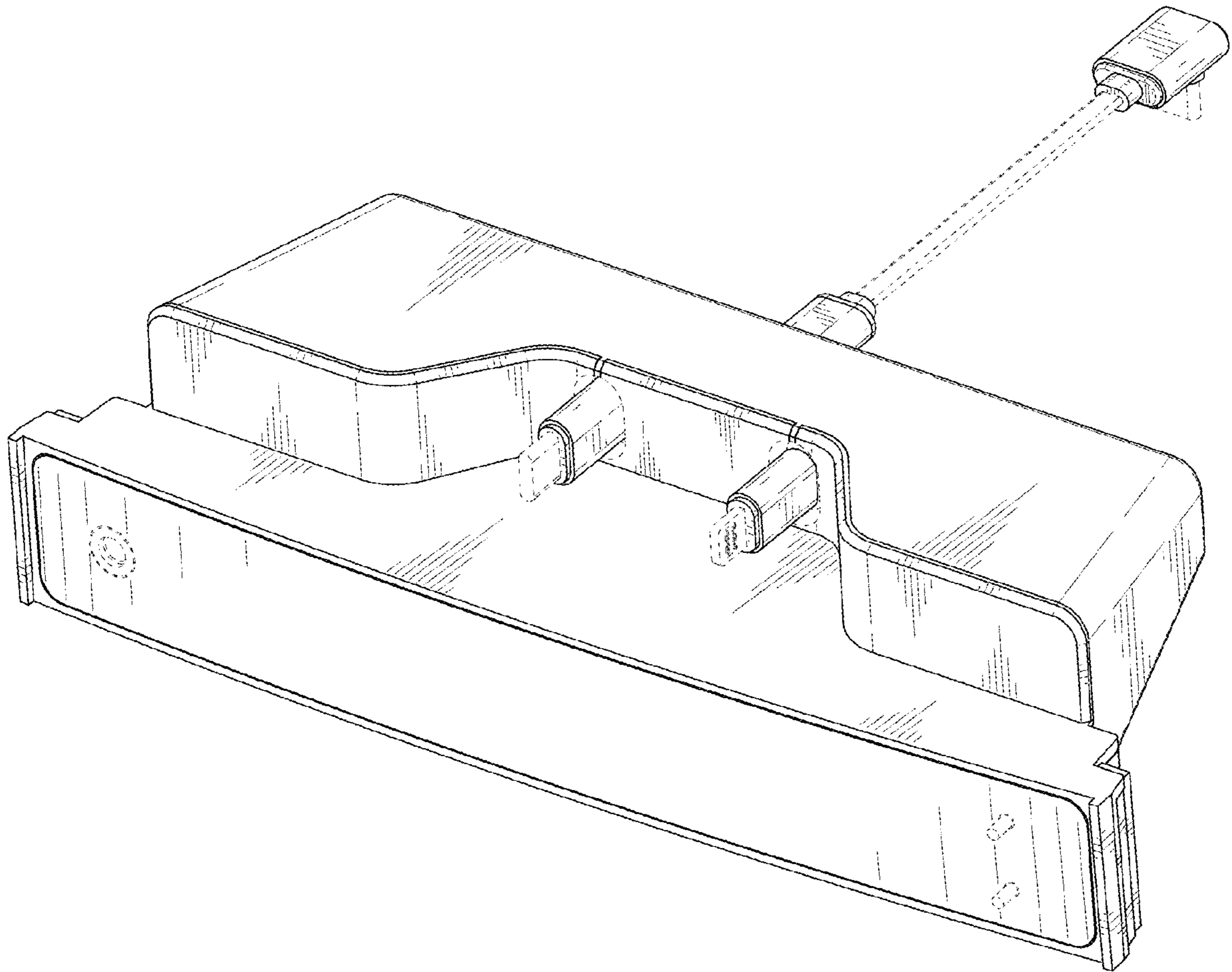


FIG. 1

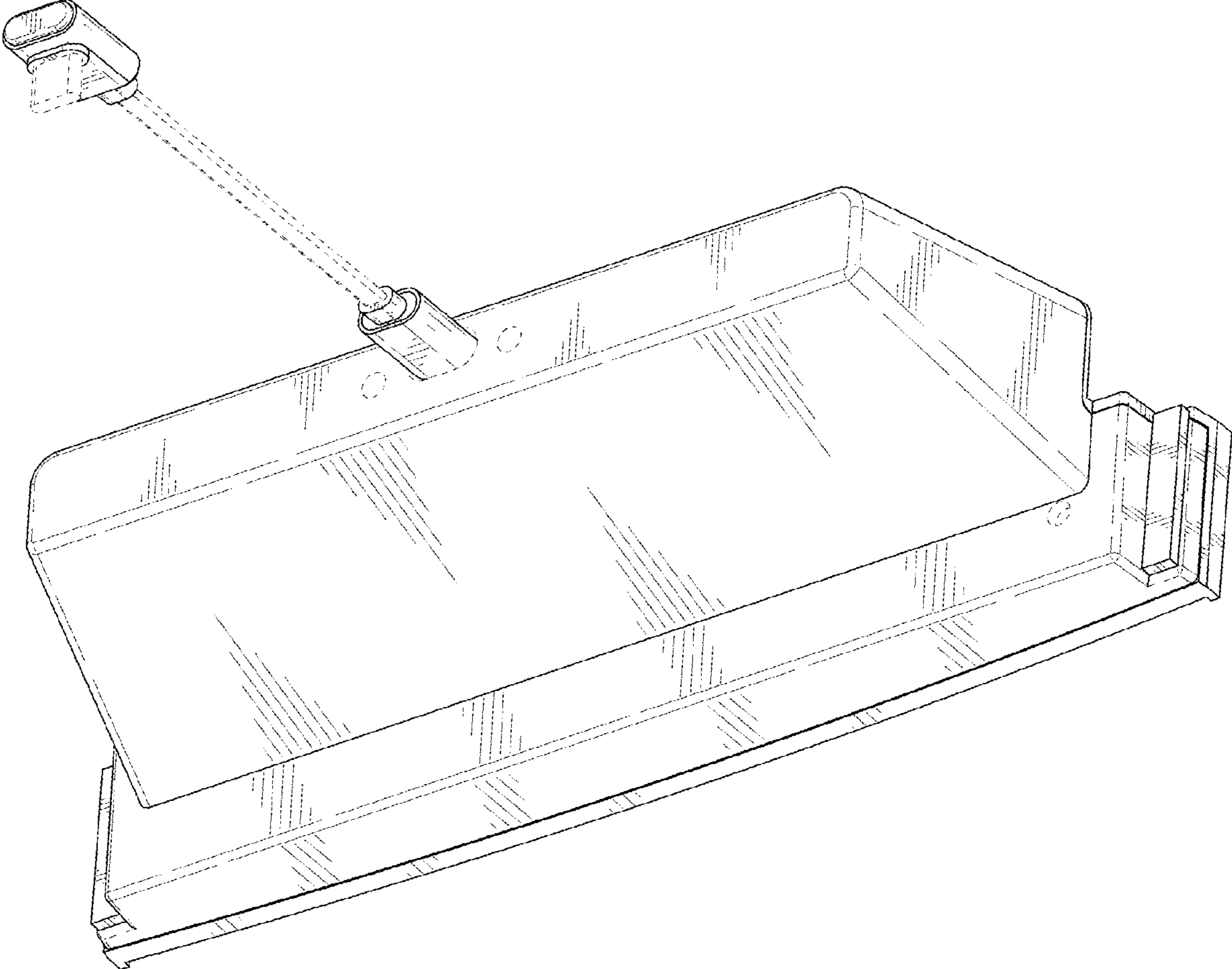


FIG. 2

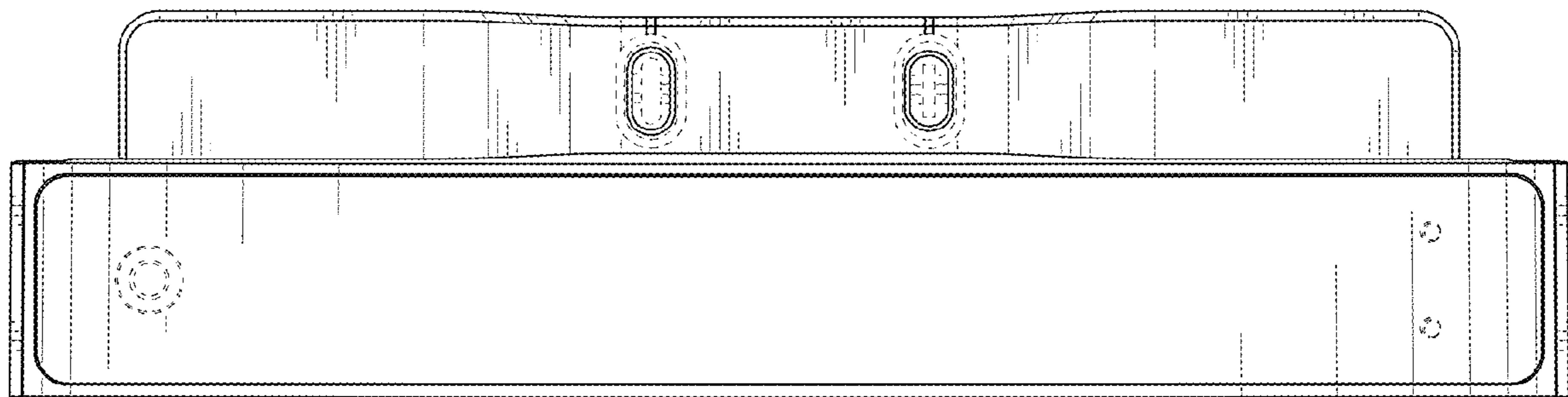


FIG. 3

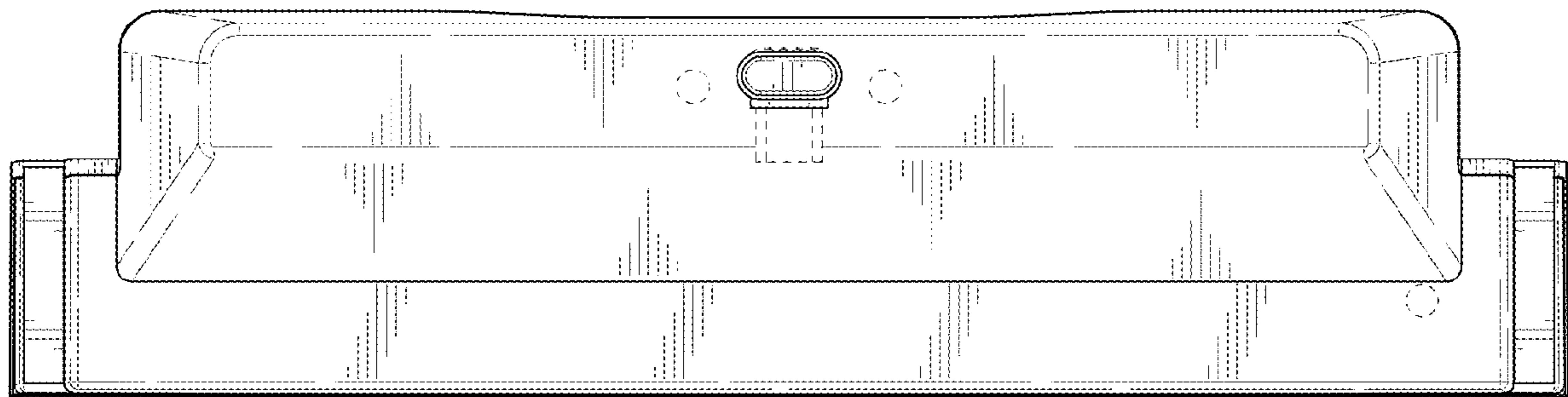


FIG. 4

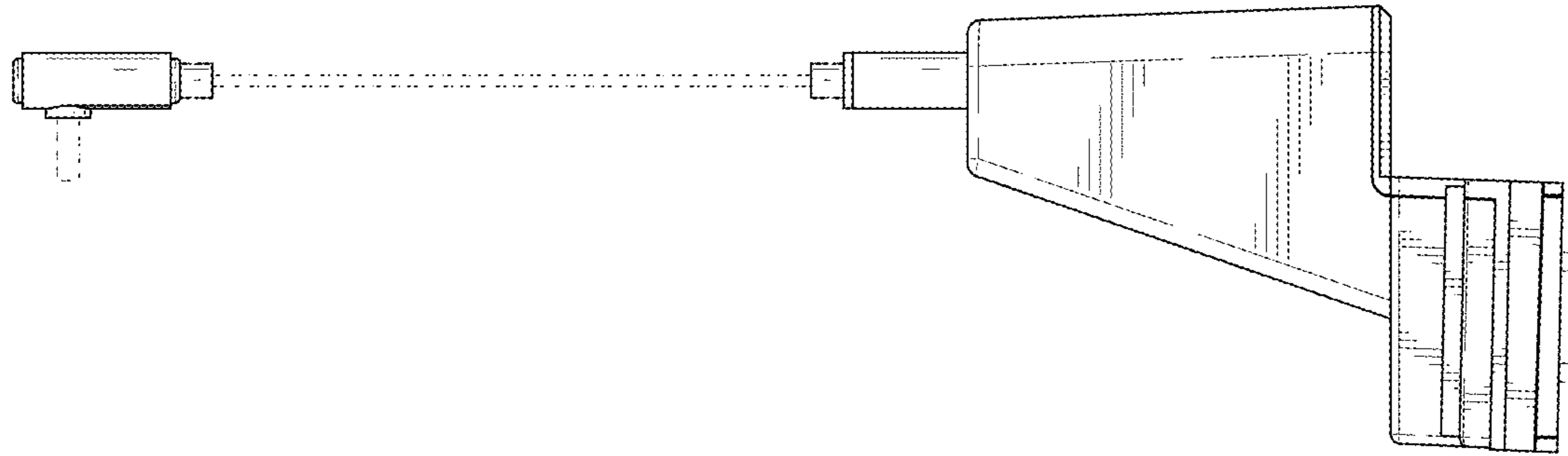


FIG. 5

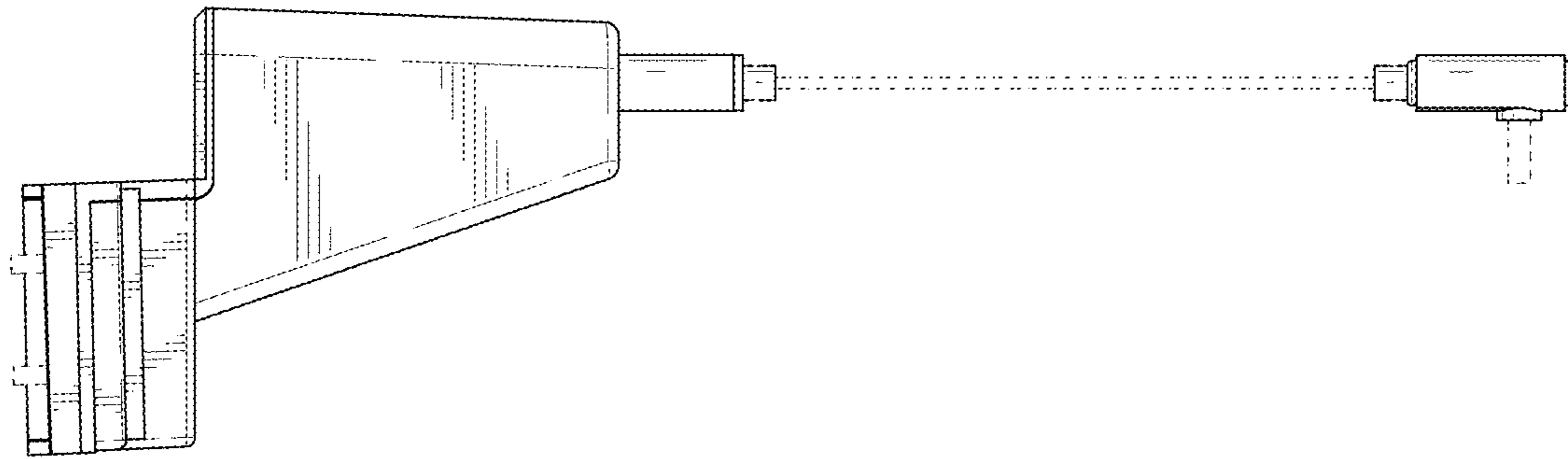


FIG. 6

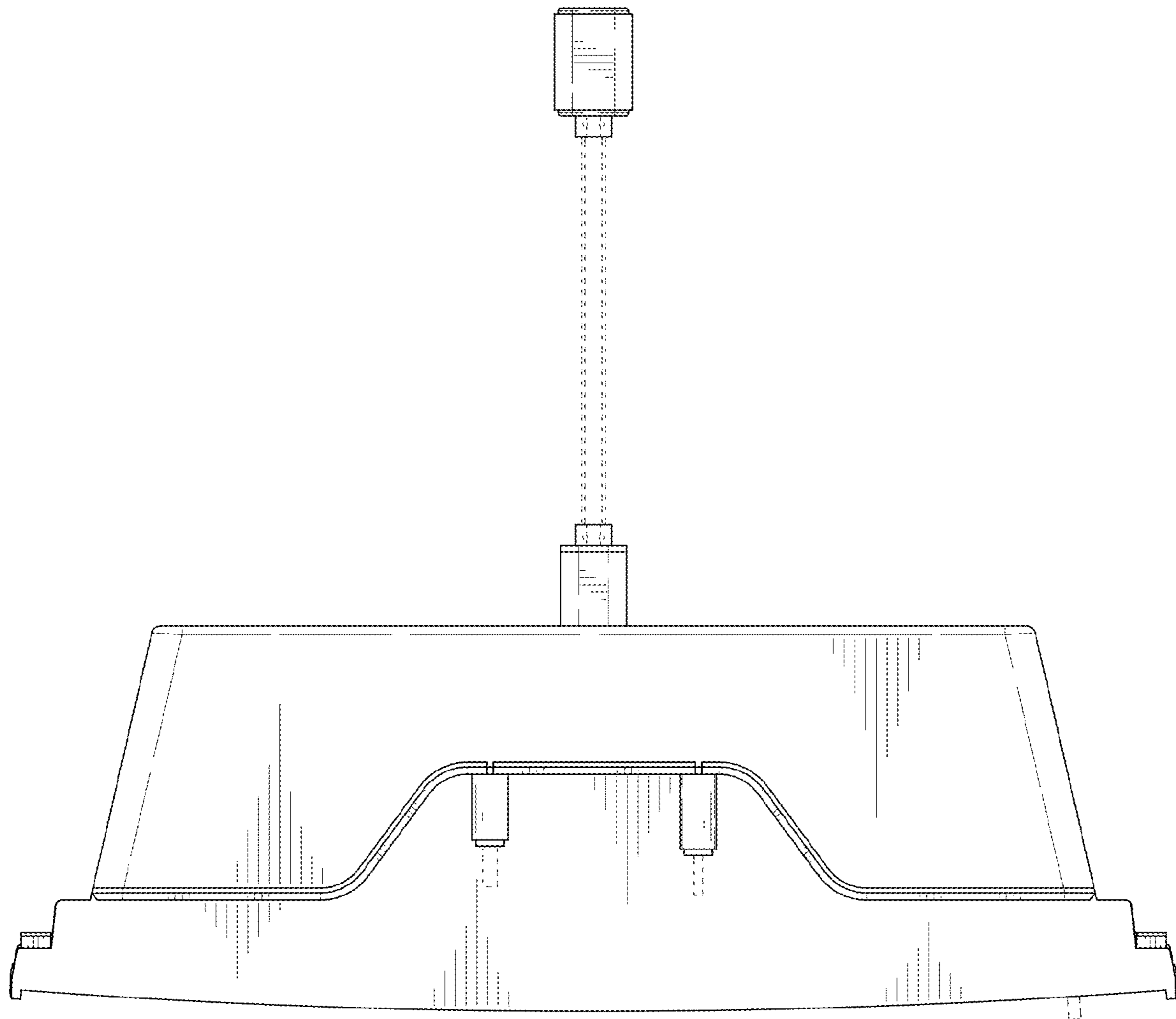


FIG. 7

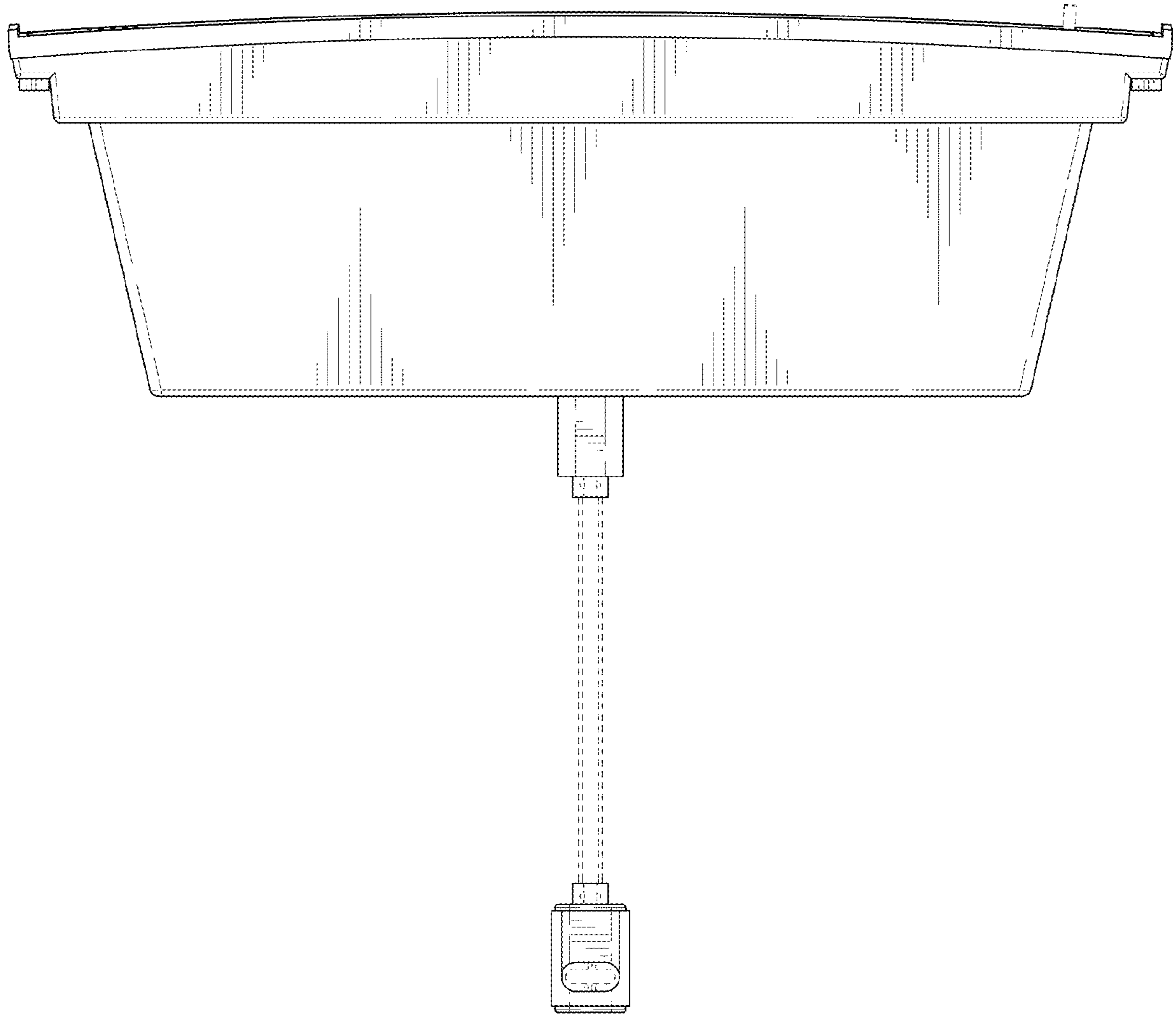


FIG. 8