



US00D980839S

(12) **United States Design Patent**  
**Kim et al.**

(10) **Patent No.:** **US D980,839 S**  
(45) **Date of Patent:** **\*\* Mar. 14, 2023**

(54) **MONITOR FOR COMPUTER**

(71) Applicant: **LG ELECTRONICS INC.**, Seoul  
(KR)

(72) Inventors: **Yeonjin Kim**, Seoul (KR); **Daihyung Ryu**, Seoul (KR); **Taejin Lee**, Seoul (KR)

(73) Assignee: **LG ELECTRONICS INC.**, Seoul  
(KR)

(\*\*) Term: **15 Years**

(21) Appl. No.: **35/513,303**

(22) Filed: **Jun. 30, 2021**

(80) **Hague Agreement Data**

Int. Filing Date: **Jun. 30, 2021**  
Int. Reg. No.: **DM/215185**  
Int. Reg. Date: **Jun. 30, 2021**  
Int. Reg. Pub. Date: **Dec. 31, 2021**

(30) **Foreign Application Priority Data**

Jan. 12, 2021 (KR) ..... 30-2021-0001628

(51) **LOC (14) Cl.** ..... **14-02**

(52) **U.S. Cl.**  
USPC ..... **D14/371**

(58) **Field of Classification Search**

USPC ..... D14/126, 239, 336, 371, 374, 375, 376,  
D14/377, 448, 451; D19/113, 114  
CPC ..... H04N 7/00; H04N 17/04; H04N 17/004;  
G06F 1/16; G06F 1/162; G06F 1/1601;  
G06F 1/1605; G06F 1/1637; G09F  
15/0025; G09F 15/0062; G09F 15/0068  
See application file for complete search history.

(56) **References Cited**

**U.S. PATENT DOCUMENTS**

D796,463 S \* 9/2017 So ..... D14/126  
D826,229 S \* 8/2018 Teo ..... D14/374

D858,472 S \* 9/2019 Lee ..... D14/126  
D859,337 S \* 9/2019 Lee ..... D14/126  
D865,698 S \* 11/2019 Seong ..... D14/126  
D872,085 S \* 1/2020 Lee ..... D14/374  
D900,815 S \* 11/2020 Kang ..... D14/371

(Continued)

**FOREIGN PATENT DOCUMENTS**

CN 304839087 \* 10/2018  
CN 304986353 \* 1/2019

(Continued)

**OTHER PUBLICATIONS**

LG 27GP850-B, first available Apr. 29, 2021 [online], [retrieved Jan. 11, 2023]. Available from the Internet, URL:<https://a.co/d/7QeSpKx>. (Year: 2021).\*

(Continued)

*Primary Examiner* — Dana K Weiland  
*Assistant Examiner* — Russell Carnell Smith, Jr.  
(74) *Attorney, Agent, or Firm* — Birch, Stewart, Kolasch & Birch, LLP

(57) **CLAIM**

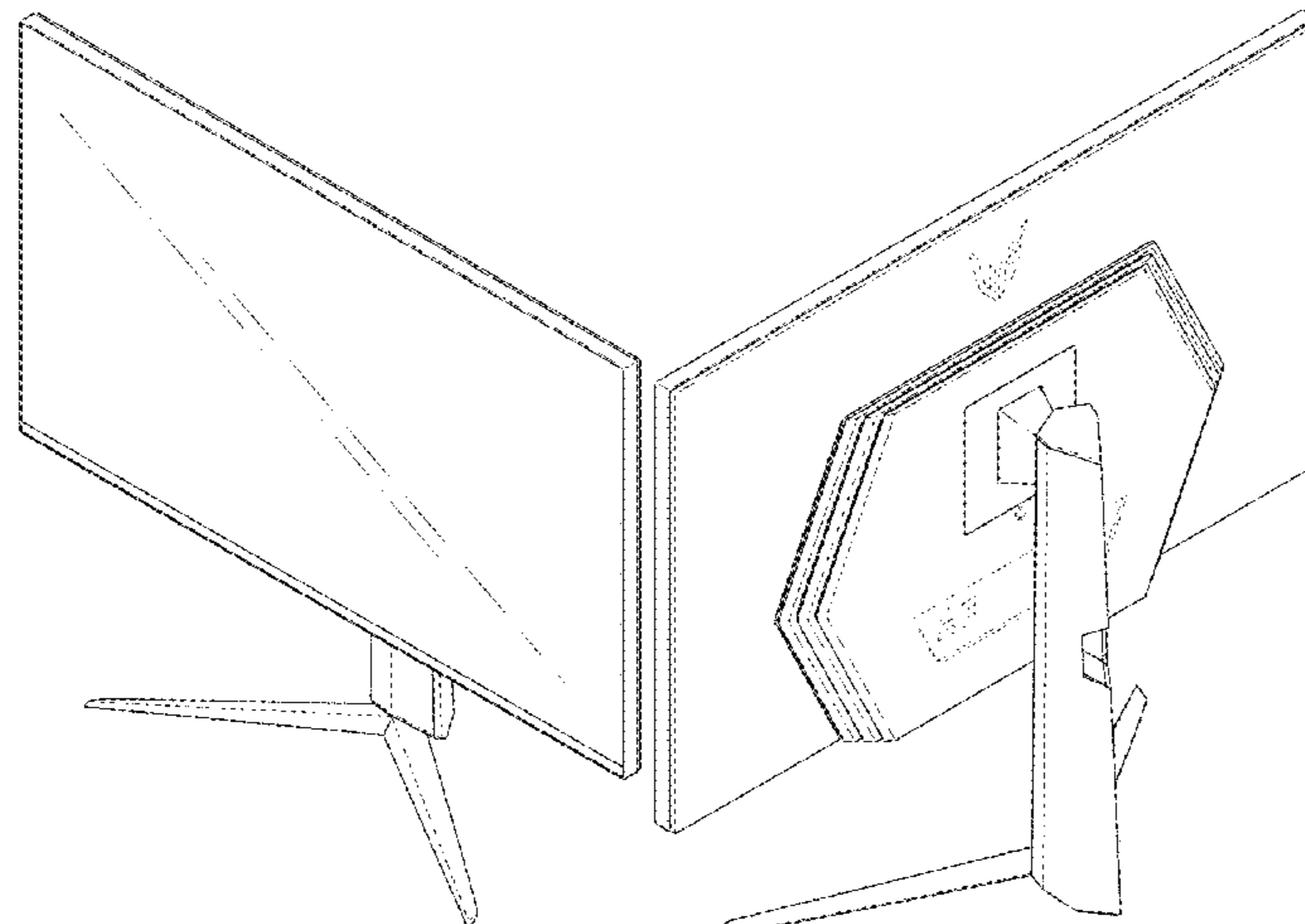
The ornamental design for a monitor for computer, as shown and described.

**DESCRIPTION**

- 1. Monitor for computer
- 1.1 : Perspective
- 1.2 : Rear perspective view
- 1.3 : Front
- 1.4 : Back
- 1.5 : Left
- 1.6 : Right
- 1.7 : Top
- 1.8 : Bottom

The broken lines indicate portions of the article that form no part of the claimed design.

**1 Claim, 8 Drawing Sheets**



(56)

**References Cited**

U.S. PATENT DOCUMENTS

D900,819 S \* 11/2020 Kim ..... D14/374  
D963,647 S \* 9/2022 Kim ..... D14/375  
D969,806 S \* 11/2022 Tsai ..... D14/374  
D969,807 S \* 11/2022 Liu ..... D14/374

FOREIGN PATENT DOCUMENTS

JP D1628365 \* 4/2019  
JP D1711302 \* 3/2022

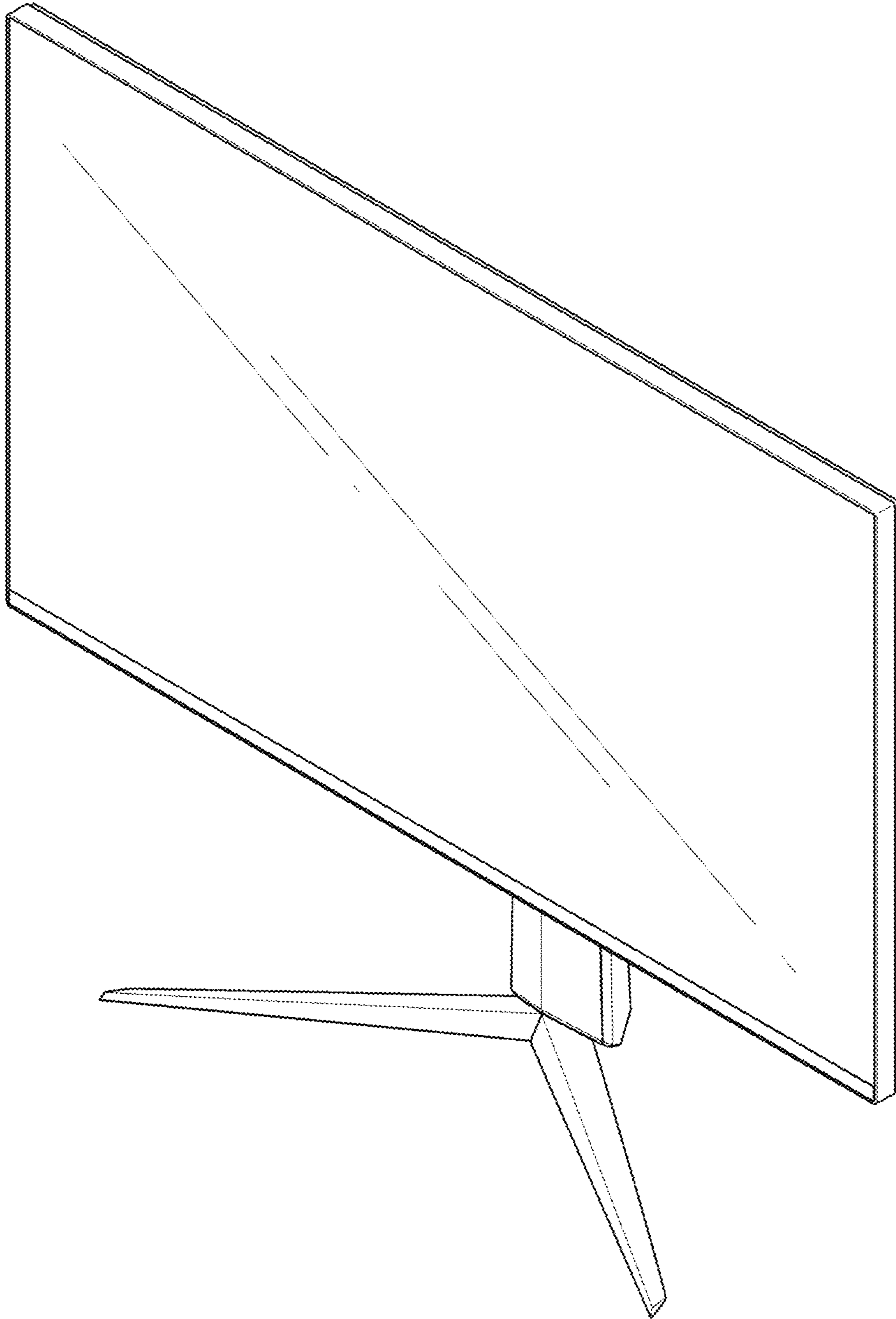
OTHER PUBLICATIONS

Jlink Gaming Monitor, first available Sep. 20, 2022 [online],  
[retrieved Jan. 11, 2023]. Available from the Internet, URL:<<https://a.co/d/3Jvx0yc>>. (Year: 2022).\*

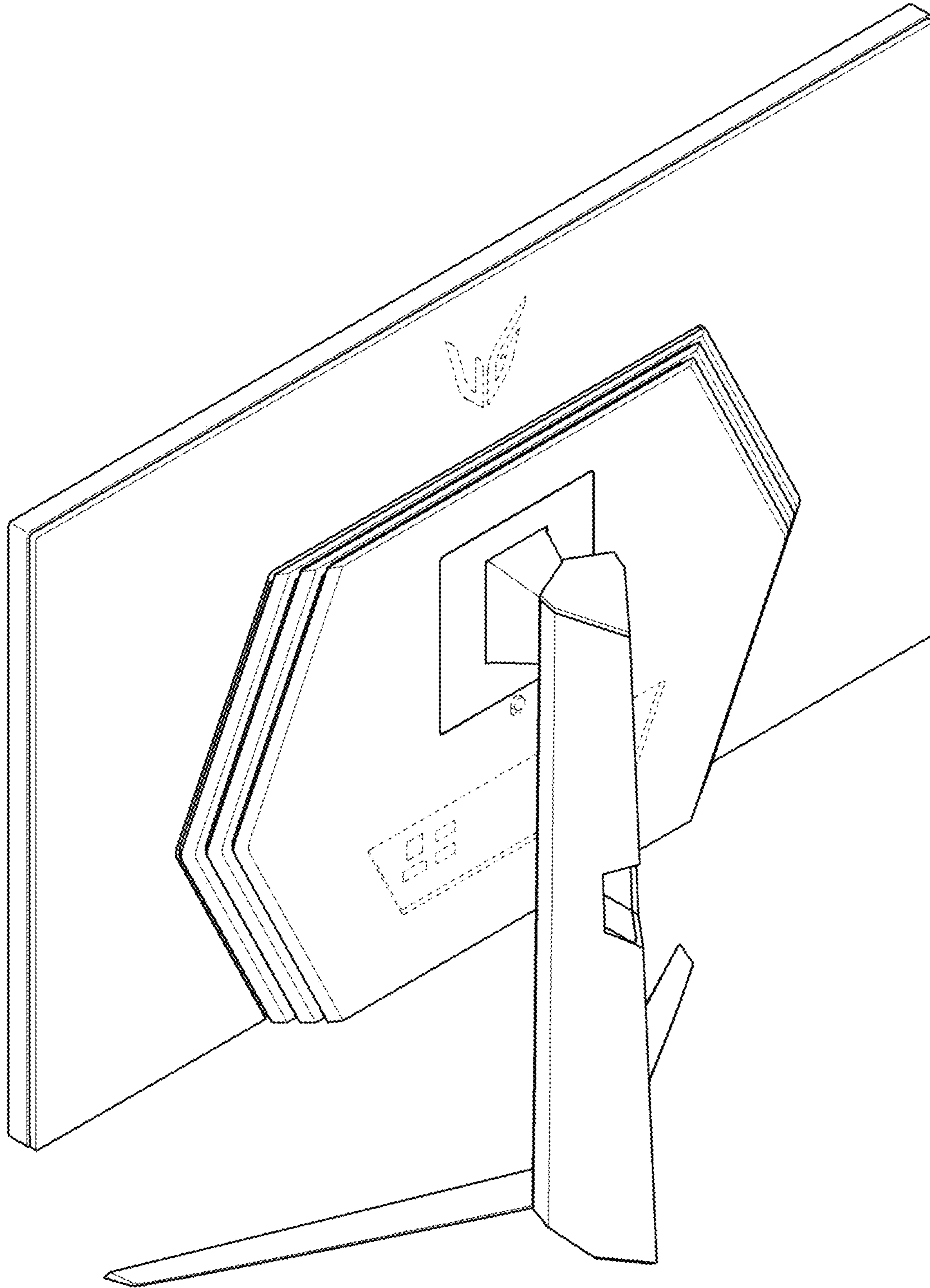
KOORUI 27, first available May 28, 2022 [online], [retrieved Jan.  
11, 2023]. Available from the Internet, URL:<<https://a.co/d/6MpfLV8>>. (Year: 2022).\*

\* cited by examiner

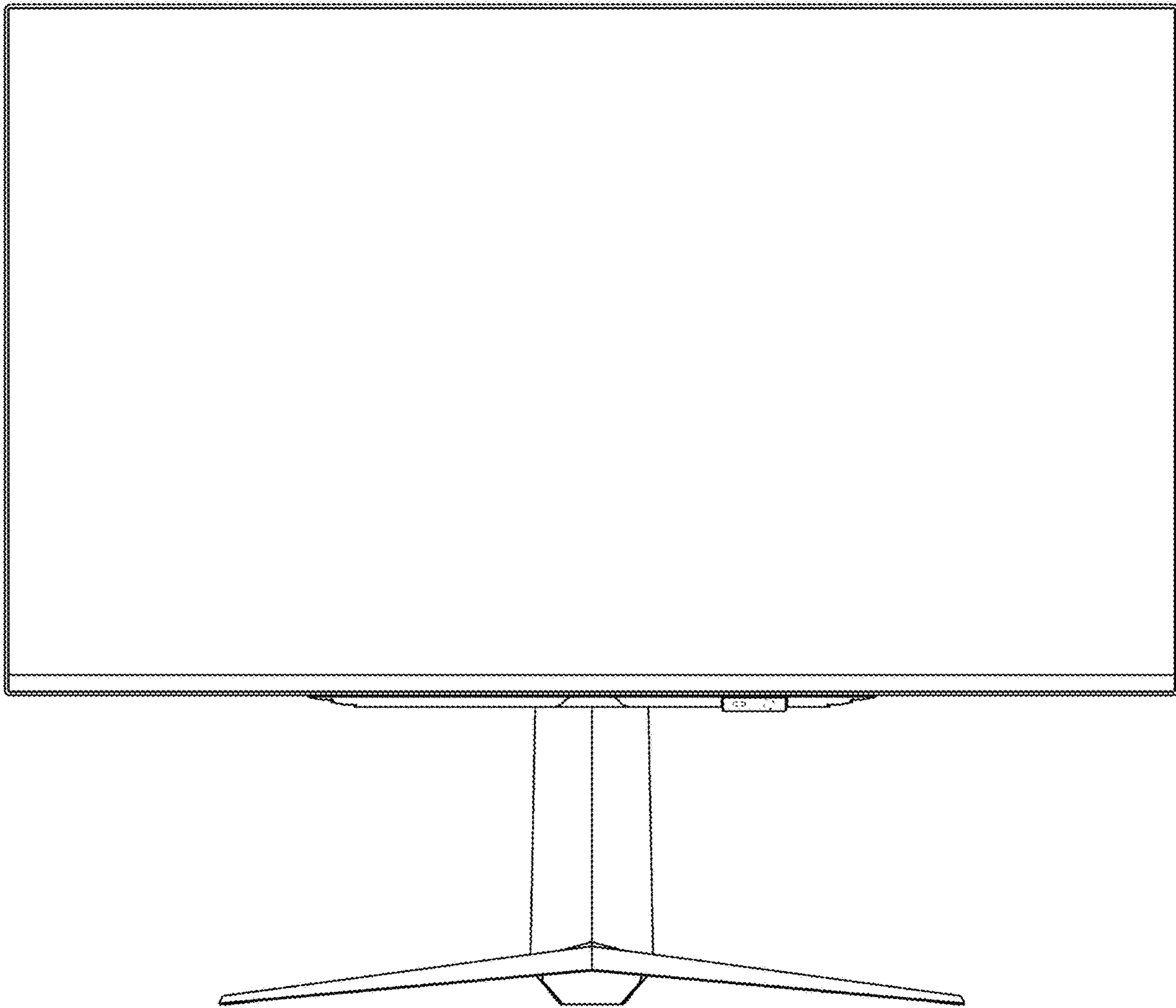
1.1



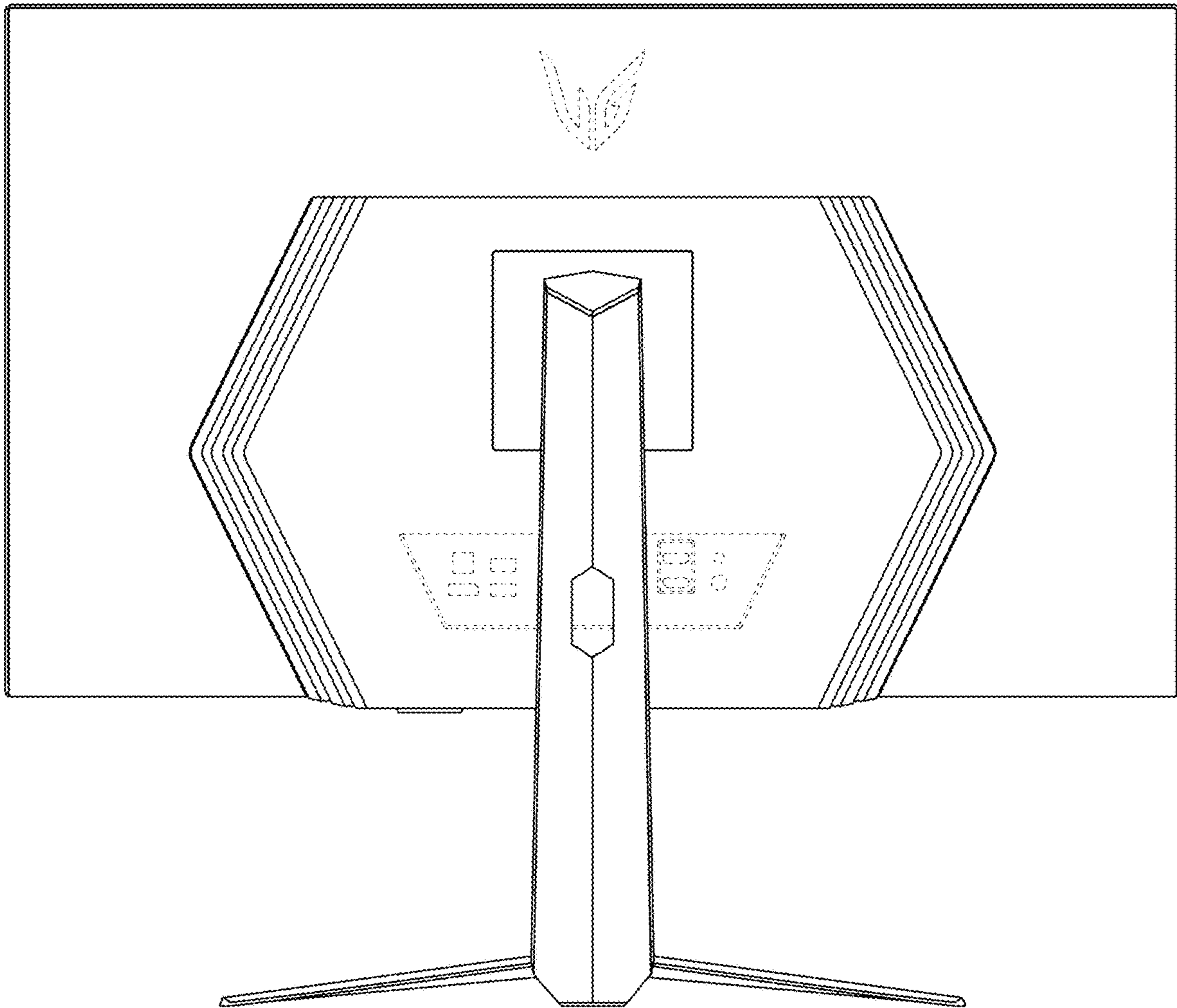
1.2



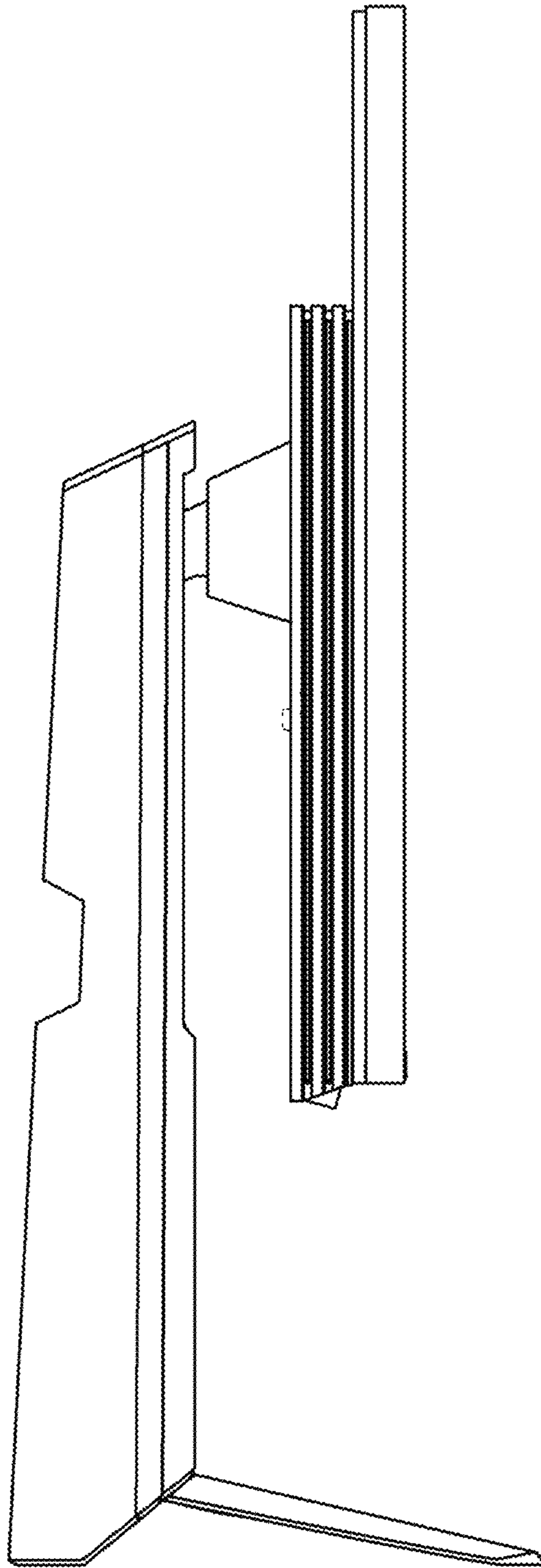
1.3



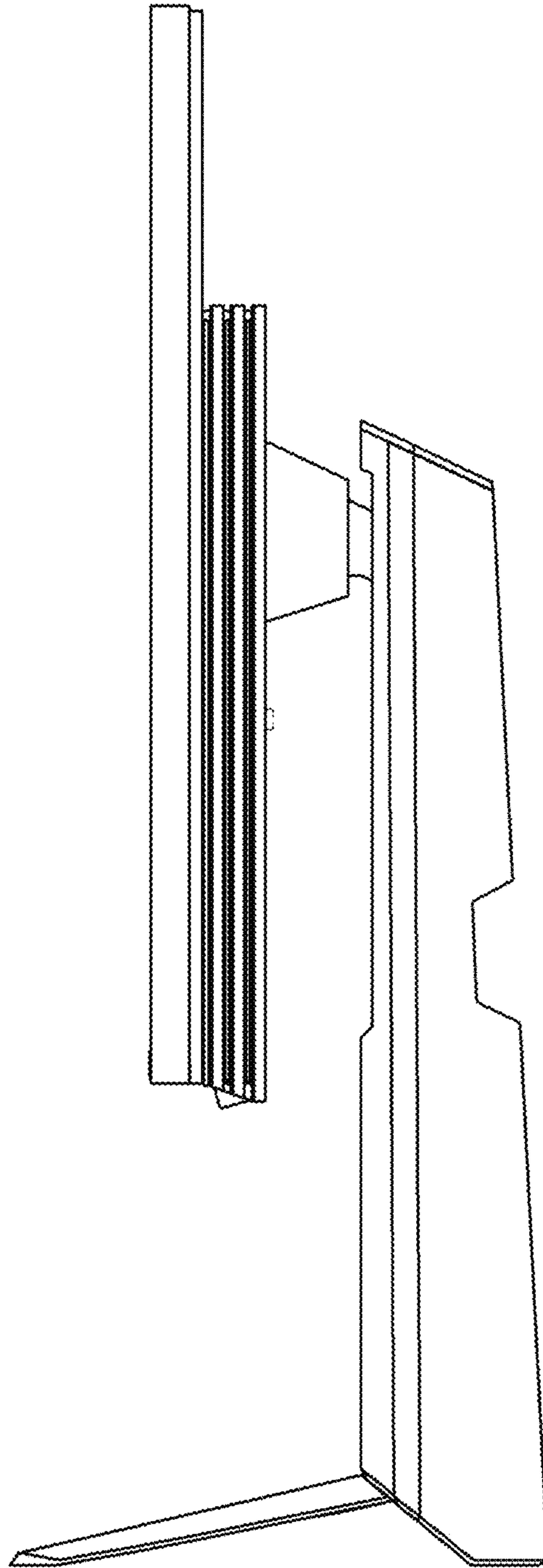
1.4



1.5

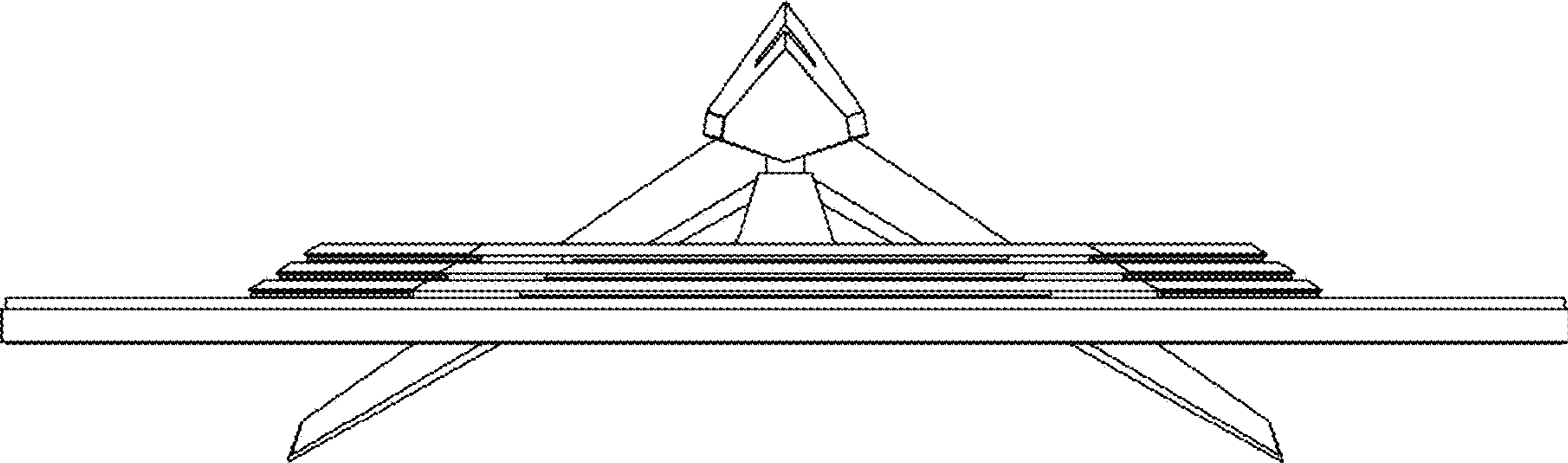


1.6





1.7



1.8

