



US00D980837S

(12) **United States Design Patent**
Cyr et al.

(10) **Patent No.:** **US D980,837 S**
(45) **Date of Patent:** **** Mar. 14, 2023**

(54) **MOBILE COMMUNICATION DEVICE**

(71) Applicant: **dTOOR Inc. SPC**, Bellevue, WA (US)

(72) Inventors: **Christina Cyr**, Bellevue, WA (US);
Kristen Faiferlick, Seattle, WA (US);
Marjan Zamani, Kenmore, WA (US);
Julia Cheng, Long Island City, NY (US)

(73) Assignee: **dTOOR Inc. SPC**, Bellevue, WA (US)

(**) Term: **15 Years**

(21) Appl. No.: **29/724,454**

(22) Filed: **Feb. 14, 2020**

(51) **LOC (14) Cl.** **14-02**

(52) **U.S. Cl.**
USPC **D14/341**

(58) **Field of Classification Search**
USPC ... D14/125–129, 138 AA, 138 AB, 138 AC,
D14/138 AD, 138 C, 138 G, 155–159,
D14/160–173, 187–188, 189–198,
D14/203.1–203.8, 204–216, 217–222,
D14/239, 248, 257–258, 315–318,
D14/341–347, 371, 374, 413, 432, 433,
D14/439–441, 496, 498–506; D6/308,
D6/310; D10/50, 65, 104.1; D18/6–7;
D21/324, 329–330, 332
CPC ... H04M 1/0202; H04M 1/0266; H04M 1/725
See application file for complete search history.

(56) **References Cited**

U.S. PATENT DOCUMENTS

676,799 A * 6/1901 McLoughlin 206/820
D550,709 S * 9/2007 Ichimura D14/496
D661,276 S * 6/2012 Roka D14/138 AB
D688,430 S * 8/2013 Meda D32/25
D709,859 S * 7/2014 O'Brien D14/188
D726,672 S * 4/2015 Olodort D14/138 G

D740,264 S * 10/2015 Kester D14/248
D741,306 S * 10/2015 Kester D14/248
D741,307 S * 10/2015 Kester D14/248
D743,645 S * 11/2015 Lee D32/21

(Continued)

OTHER PUBLICATIONS

Take A Look At This ‘Pointless’ Circular Phone . . . , Jan. 10, 2020,
[retrieved Sep. 30, 2022], Retrieved from Internet, URL: <<https://in.mashable.com/tech/10353/ces-2020-take-a-look-at-this-pointless-circular-phone-that-has-two-headphone-jacks>> (Year: 2020).*

(Continued)

Primary Examiner — Messina L Smith

Assistant Examiner — Aram Kwon

(74) *Attorney, Agent, or Firm* — Christopher Mayle; Bold IP, PLLC

(57) **CLAIM**

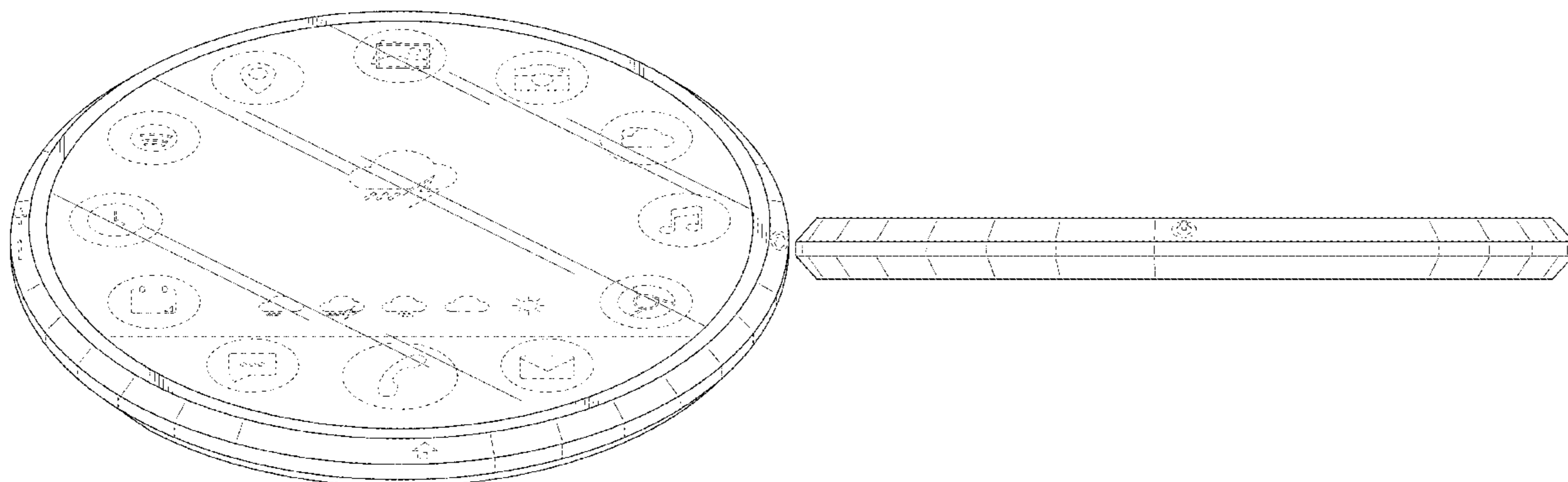
The ornamental design for a mobile communication device, as shown and described.

DESCRIPTION

FIG. 1 is a front perspective view of a mobile communication device, in accordance with the present invention; FIG. 2 is a top perspective view of the mobile communication device of FIG. 1; FIG. 3 is a left side view thereof; FIG. 4 is a right side view thereof; FIG. 5 is a bottom side view thereof; FIG. 6 is a topside side view thereof; FIG. 7 is a front view thereof; and, FIG. 8 is a rear view thereof.

The broken lines shown in FIG. 1, showing a stand feature, depict environmental structure that forms no part of the claimed design. All other broken lines depict portions of the mobile communication device that form no part of the claimed design.

1 Claim, 6 Drawing Sheets



(56)

References Cited

U.S. PATENT DOCUMENTS

D801,308 S * 10/2017 Ahn D14/216
D804,533 S * 12/2017 Mangum D14/496
D805,495 S * 12/2017 Kester D14/341
D811,360 S * 2/2018 Kester D14/341
D831,915 S * 10/2018 Ha D32/25
D870,736 S * 12/2019 Lederer D14/447
D946,564 S * 3/2022 Cyr D13/108
D951,222 S * 5/2022 Su D14/140.11
11,360,651 B2 * 6/2022 Cyr G06F 3/165
2021/0333958 A1 * 10/2021 Cyr G06F 3/0488

OTHER PUBLICATIONS

Round Cyrclc Phone 2.0, Oct. 9, 2021, [retrieved Sep. 30, 2022], Retrieved from Internet, URL: <<https://gagadget.com/en/77127-round-cyrclc-phone-20-with-lte-and-nfc-announced-for-999/>> (Year: 2021).*

The Cyrclc Phone 4G LTE Specifications, date not available, [retrieved Sep. 30, 2022], Retrieved from Internet, URL: <<https://www.cyrclcphone.com/specifications>> (Year: 2022).*

Upcoming Launch for The Cyrclc Phone 4G, May 13, 2021, [retrieved Sep. 30, 2022], Retrieved from Internet, URL: <<https://www.cyrclcphone.com/press-release/prelaunch>> (Year: 2021).*

* cited by examiner

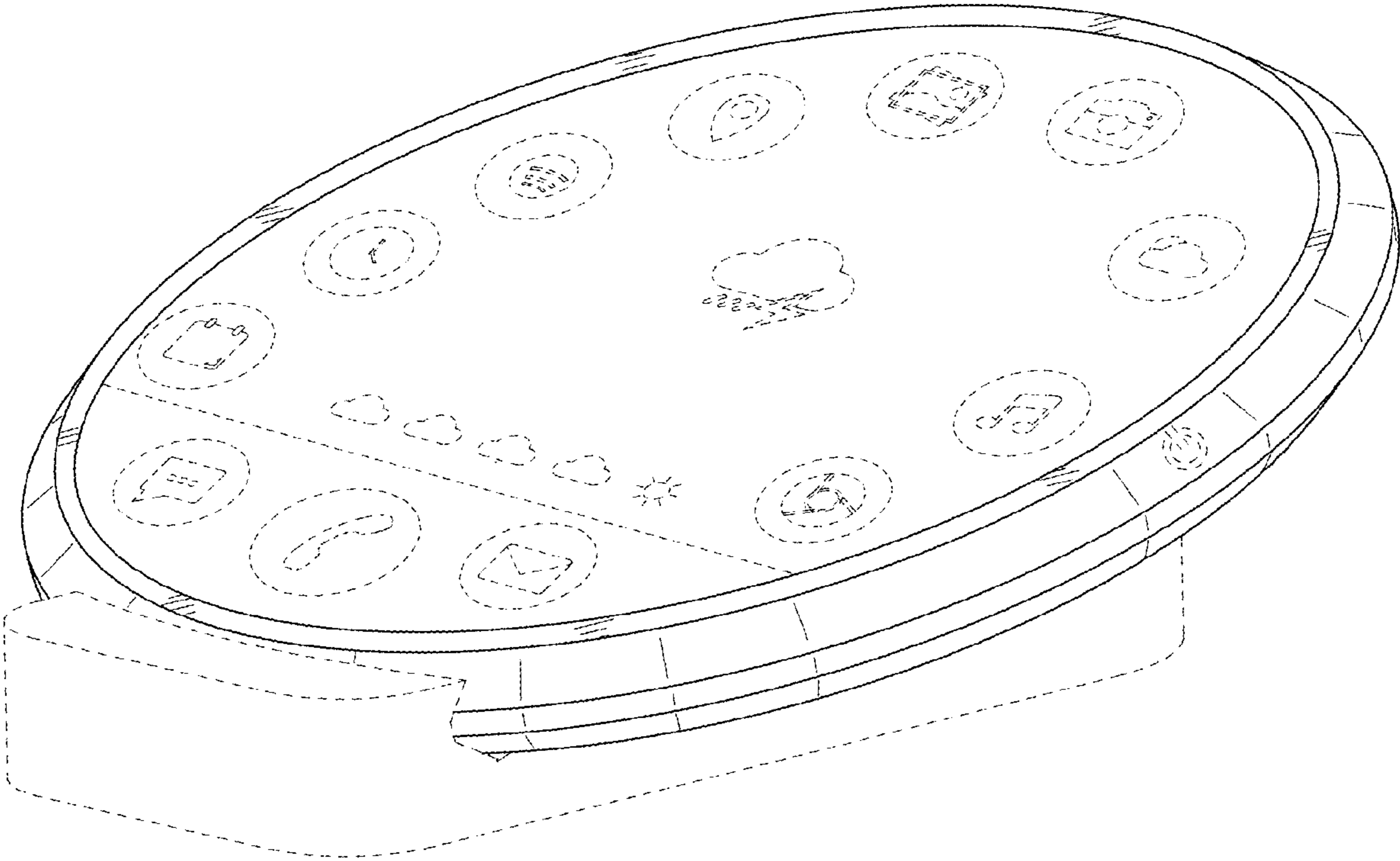


FIG. 1

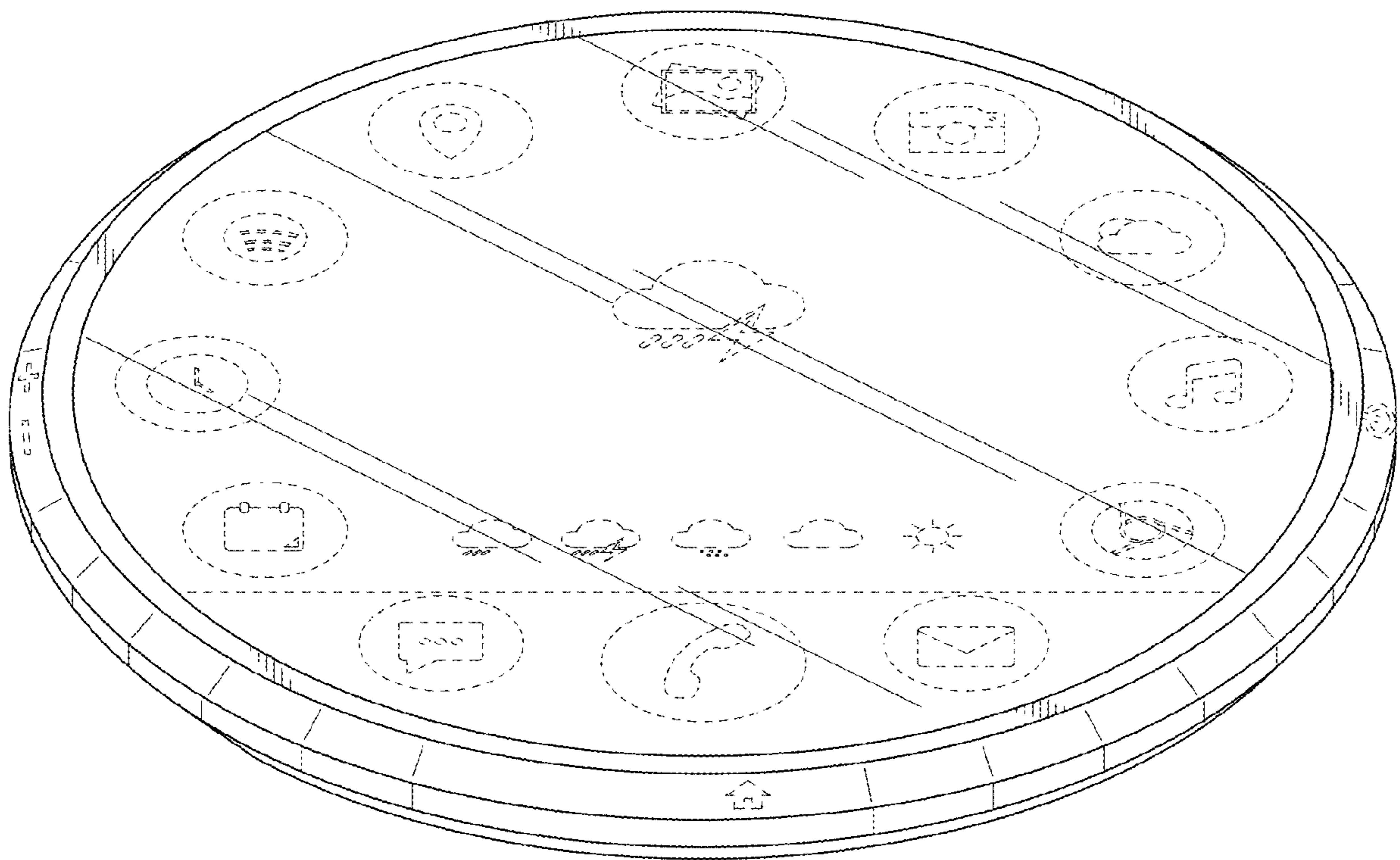


FIG. 2

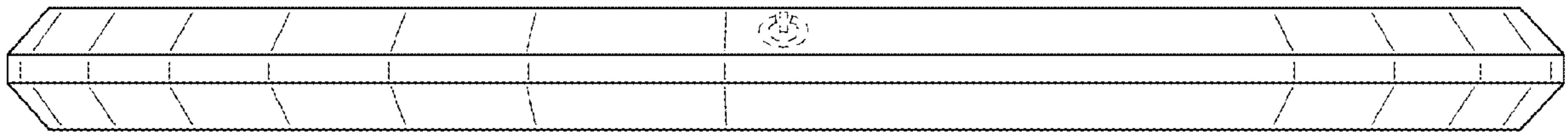


FIG. 3

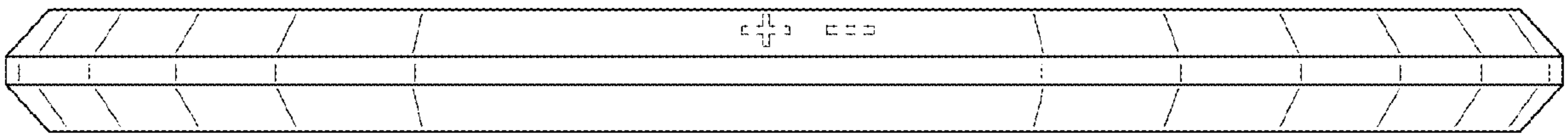


FIG. 4

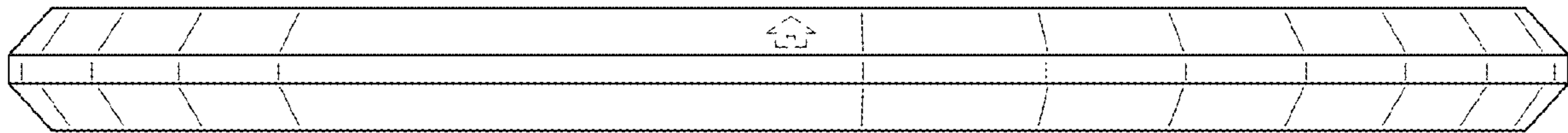


FIG. 5

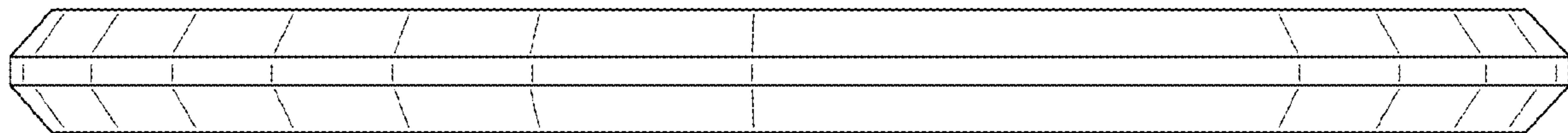


FIG. 6

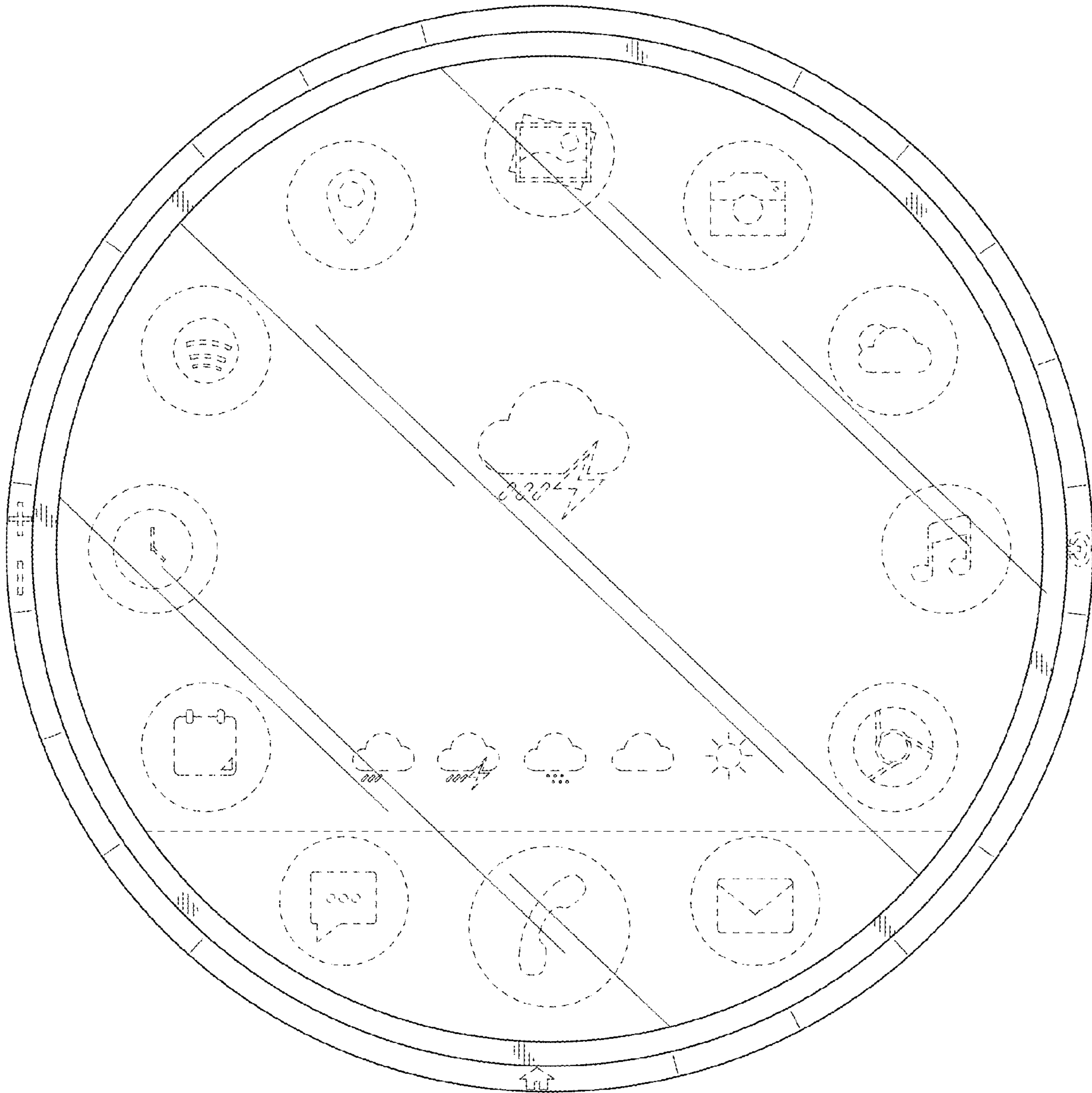


FIG. 7

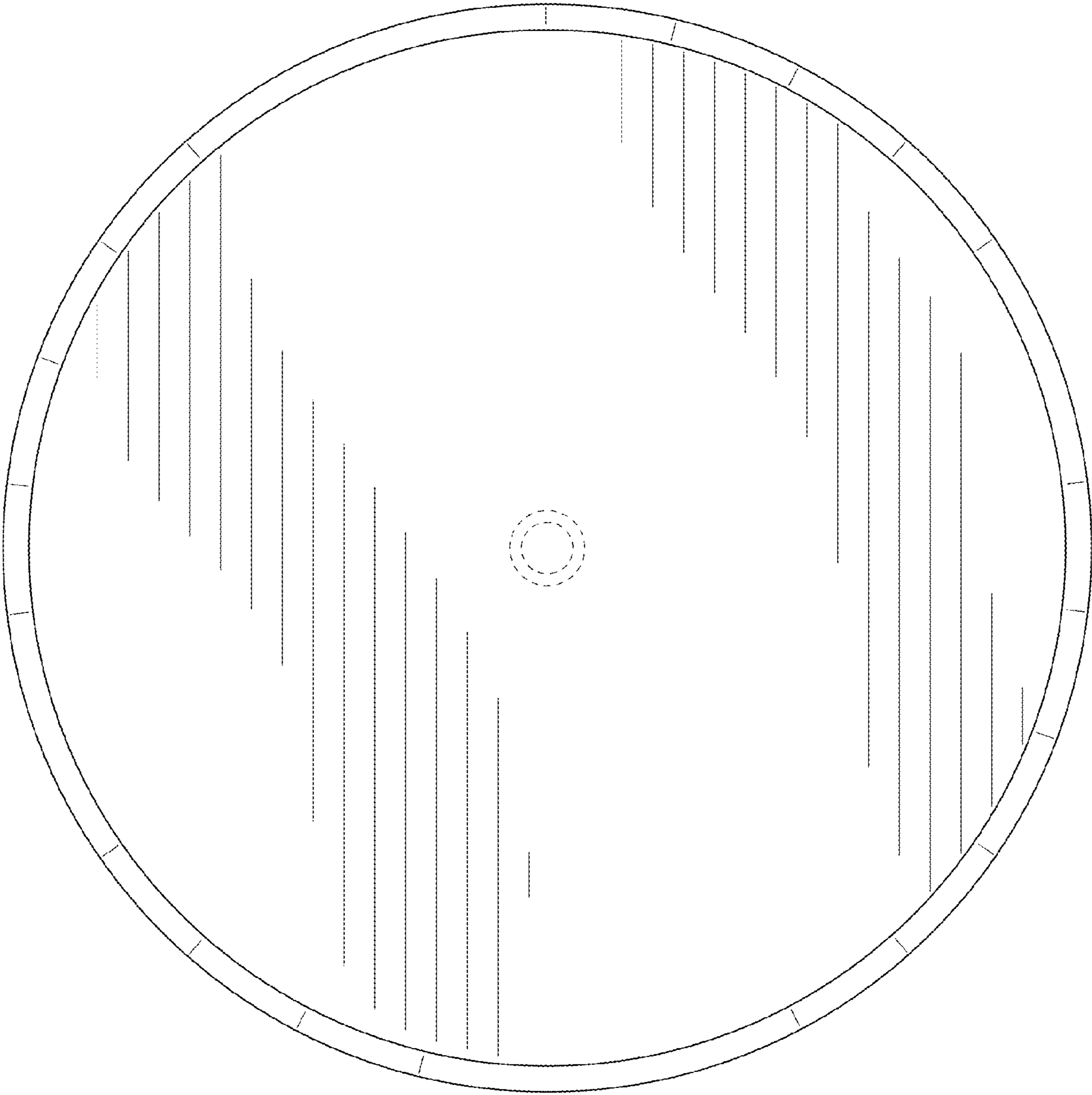


FIG. 8