



US00D980836S

(12) **United States Design Patent**
Chen

(10) **Patent No.:** **US D980,836 S**

(45) **Date of Patent:** **** Mar. 14, 2023**

(54) **PHONE STAND**

(71) Applicant: **Shenzhen Dingzhen Technology Co., Ltd.**, Shenzhen (CN)

(72) Inventor: **Yanling Chen**, Shenzhen (CN)

(73) Assignee: **Shenzhen Dingzhen Technology Co., Ltd.**, Shenzhen (CN)

(**) Term: **15 Years**

(21) Appl. No.: **29/852,526**

(22) Filed: **Sep. 7, 2022**

(51) **LOC (14) Cl.** **14-03**

(52) **U.S. Cl.**

USPC **D14/253**; D12/415

(58) **Field of Classification Search**

USPC D14/356, 412-413, 432-434, 435.1, 447, D14/451-452, 457, 142, 203.8, 209.1, D14/217, 224, 224.1, 229, 238, 240, D14/251-253; D12/400, 406, 415-418, D12/422, 223; D3/218, 269; D9/455; D6/553, 512; D16/242, 245; D8/355
CPC H04M 1/04; H04M 1/06; H04M 1/11; H04M 1/12; H04M 1/14; H04M 1/13; H04M 1/15; H04M 1/026; H04M 1/03; H04M 1/0254; H04M 1/0249; H04M 1/0206; H04M 1/02; H04M 1/0202; A45F 2200/0516; A45F 2200/0525; G06F 1/1628

See application file for complete search history.

(56) **References Cited**

U.S. PATENT DOCUMENTS

D520,739 S * 5/2006 Tsai D3/218
D765,651 S * 9/2016 Liu D14/447
D768,125 S * 10/2016 Kim D14/253
D780,168 S * 2/2017 Du D14/253
D780,743 S * 3/2017 Chun D14/447
D783,012 S * 4/2017 Lee D14/253

D783,014 S * 4/2017 Chun D14/253
D799,466 S * 10/2017 Sukphist D14/253
D829,203 S * 9/2018 Chen
D831,660 S * 10/2018 Yao D14/447
D831,665 S * 10/2018 Yao D14/447
D832,247 S * 10/2018 Sukphist D14/253
D840,995 S * 2/2019 Balmer D14/253
D854,537 S * 7/2019 Ackeret D14/253
D858,257 S * 9/2019 Yang D8/355
D860,189 S * 9/2019 Gu D22/108

(Continued)

FOREIGN PATENT DOCUMENTS

CN 111917909 A * 11/2020

OTHER PUBLICATIONS

Li, Guiping, CN Design No. 307570111, published at Orbit, publication date Sep. 27, 2022. Site visited Nov. 19, 2022. Available from Internet. (Year: 2022).*

(Continued)

Primary Examiner — Kathleen L Jones

(57) **CLAIM**

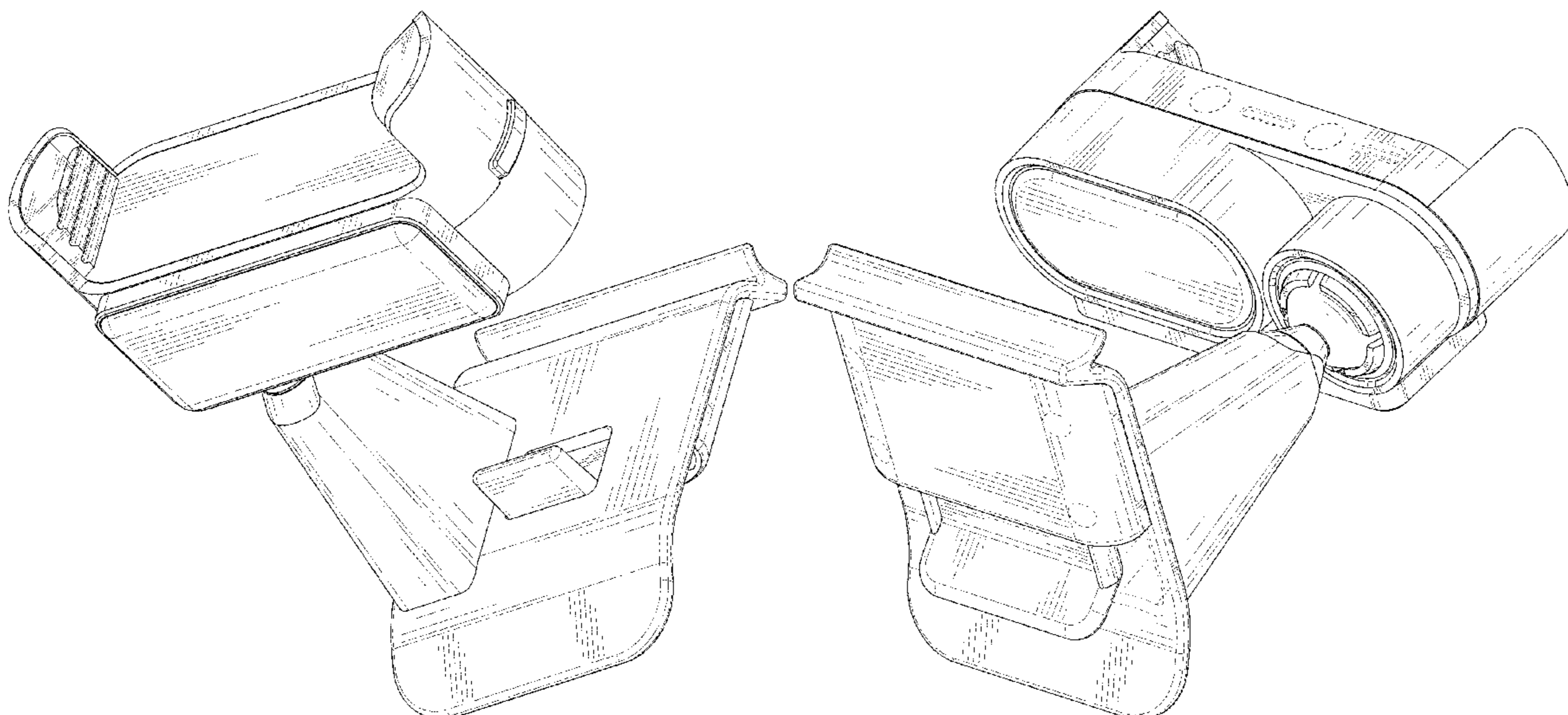
The ornamental design for a phone stand, as shown and described.

DESCRIPTION

FIG. 1 is a front, right and bottom perspective view of a phone stand showing my new design;
FIG. 2 is a rear, left and top perspective view thereof;
FIG. 3 is a front view thereof;
FIG. 4 is a rear view thereof;
FIG. 5 is a left side view thereof;
FIG. 6 is a right side view thereof;
FIG. 7 is a top plan view thereof; and,
FIG. 8 is a bottom plan view thereof.

The broken lines in the figures illustrate portions of the phone stand that form no part of the claimed design.

1 Claim, 8 Drawing Sheets



(56)

References Cited

U.S. PATENT DOCUMENTS

D862,454	S	*	10/2019	Chun	D12/415
D863,206	S	*	10/2019	Cao	D12/415
D867,355	S	*	11/2019	Chun	D14/253
D934,234	S	*	10/2021	Deng	D14/447
D938,410	S		12/2021	Wang		
D943,569	S	*	2/2022	Zhang	D12/415
D945,409	S	*	3/2022	Tang	D14/253
D946,565	S	*	3/2022	Liu	D3/218
D949,841	S	*	4/2022	Qiu	D12/407
D949,842	S	*	4/2022	Qiu	D12/407
D955,319	S	*	6/2022	Ackeret	D12/415

OTHER PUBLICATIONS

Peng, Junming, CN Design No. 305707424, published at Orbit, publication date Apr. 14, 2020. Site visited Nov. 19, 2022. Available from Internet. (Year: 2020).*

Andrews, Stuart, Best car phone holder 2022, posted at ExpertReviews, posting date Jan. 18, 2022. Site visited Nov. 19, 2022. URL: <<https://www.expertreviews.co.uk/mobile-phones/1406375/best-car-phone-holder-the-best-windscreen-vent-and-dashboard-phone-holders>> (Year: 2022).*

Best Cell Phone Holder for Car Reviews in 2022, posted at AutoBlog Commerce, posting date May 26, 2022. Site visited Nov. 19, 2022. URL: <<https://www.autoblog.com/article/cell-phone-holder-for-car/>> (Year: 2022).*

Beren, David, The 5 Best Car Phone Holders of 2022, posted at Lifewire, posting date May 30, 2021. Site visited Nov. 19, 2022. URL: <<https://www.lifewire.com/best-car-phone-holders-4157460>> (Year: 2021).*

* cited by examiner

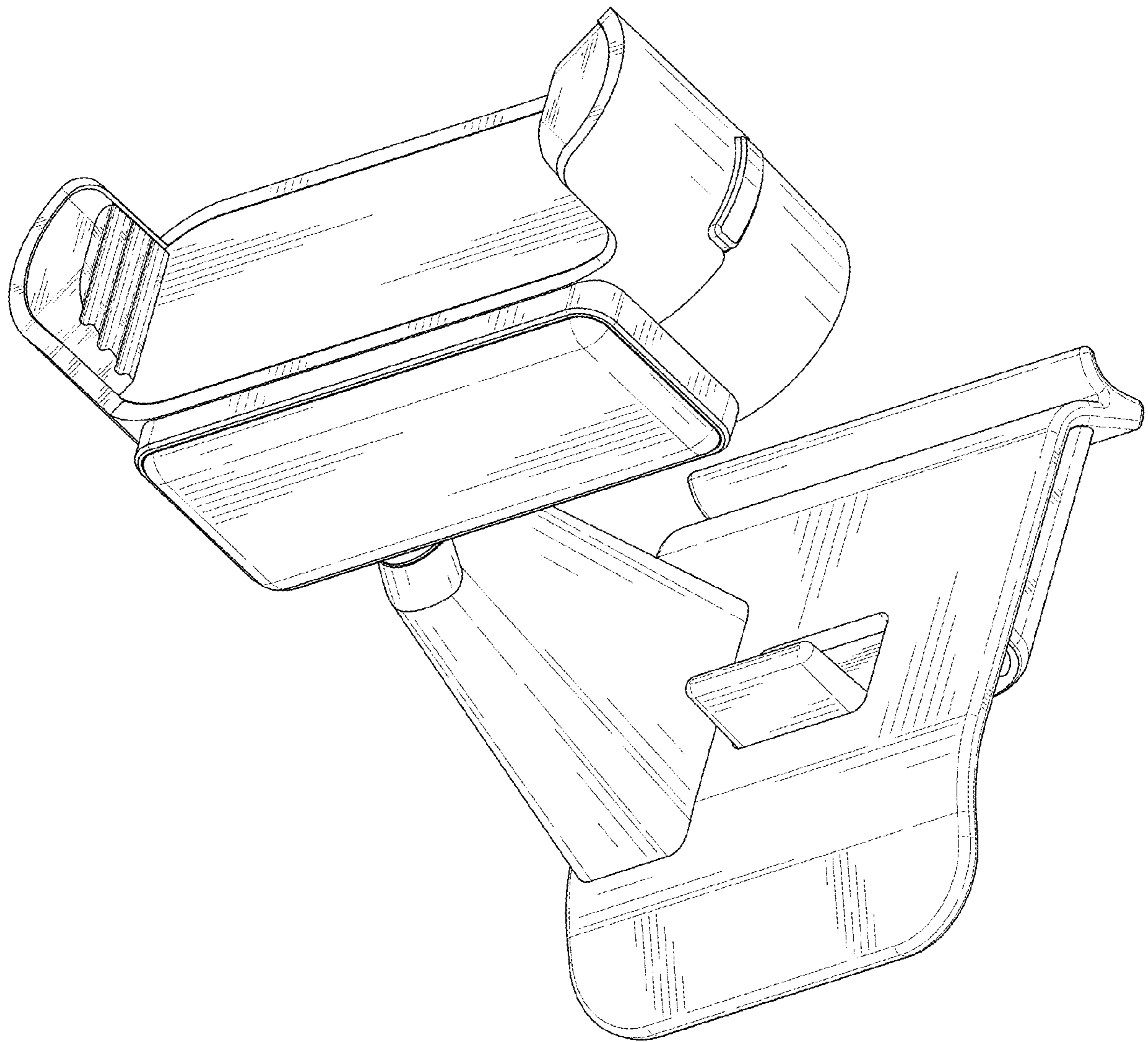


FIG. 1

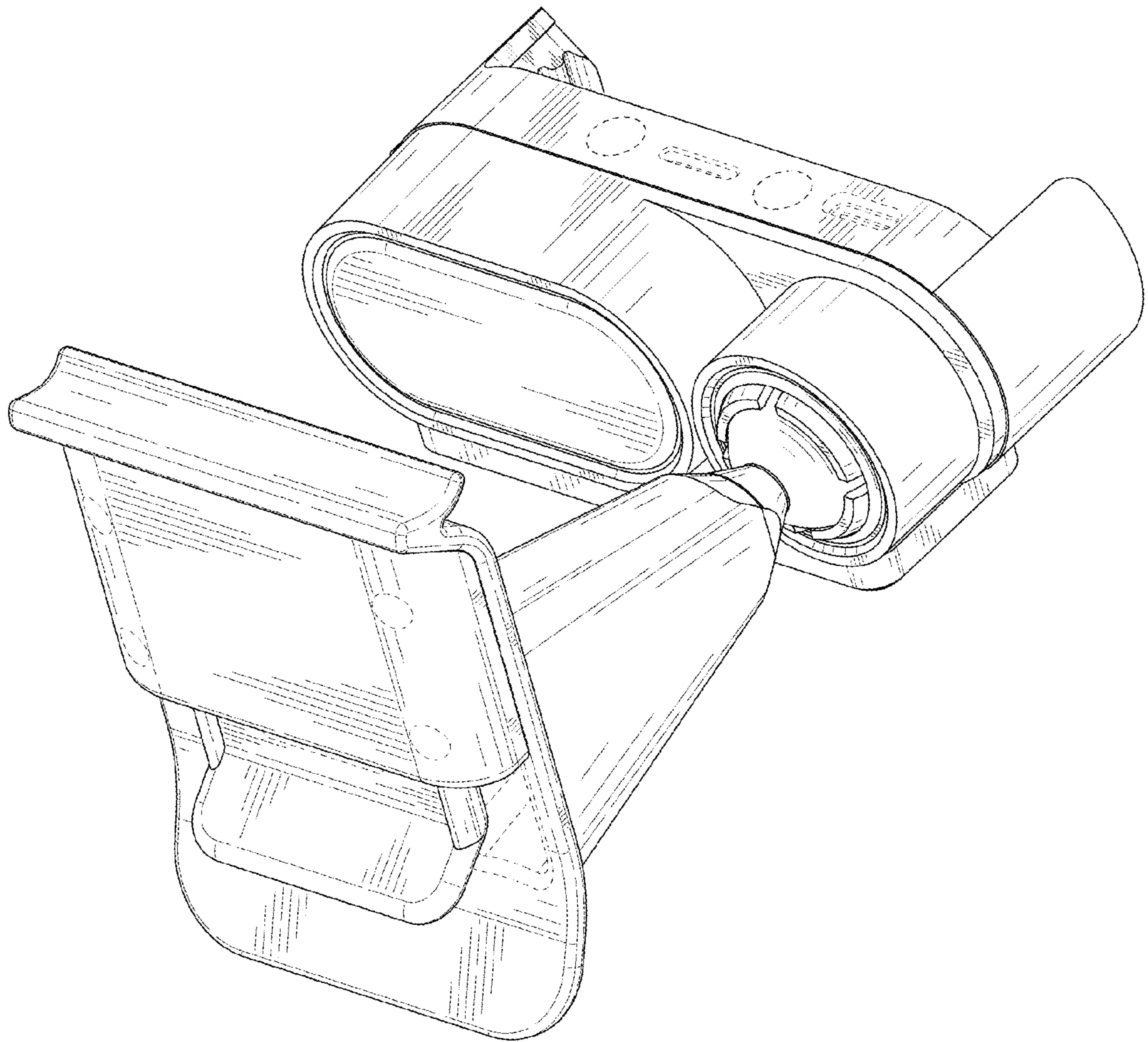


FIG. 2

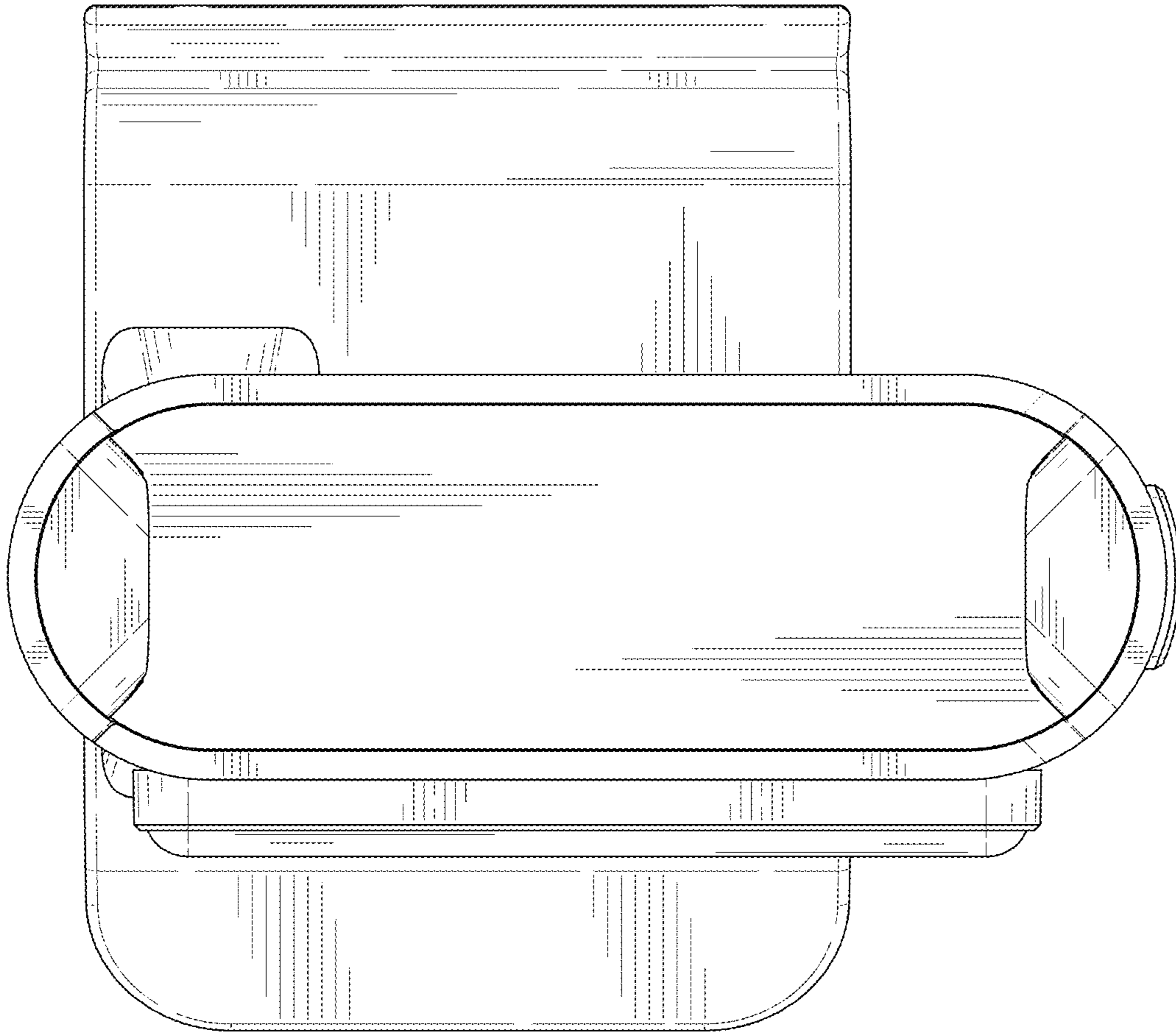


FIG. 3

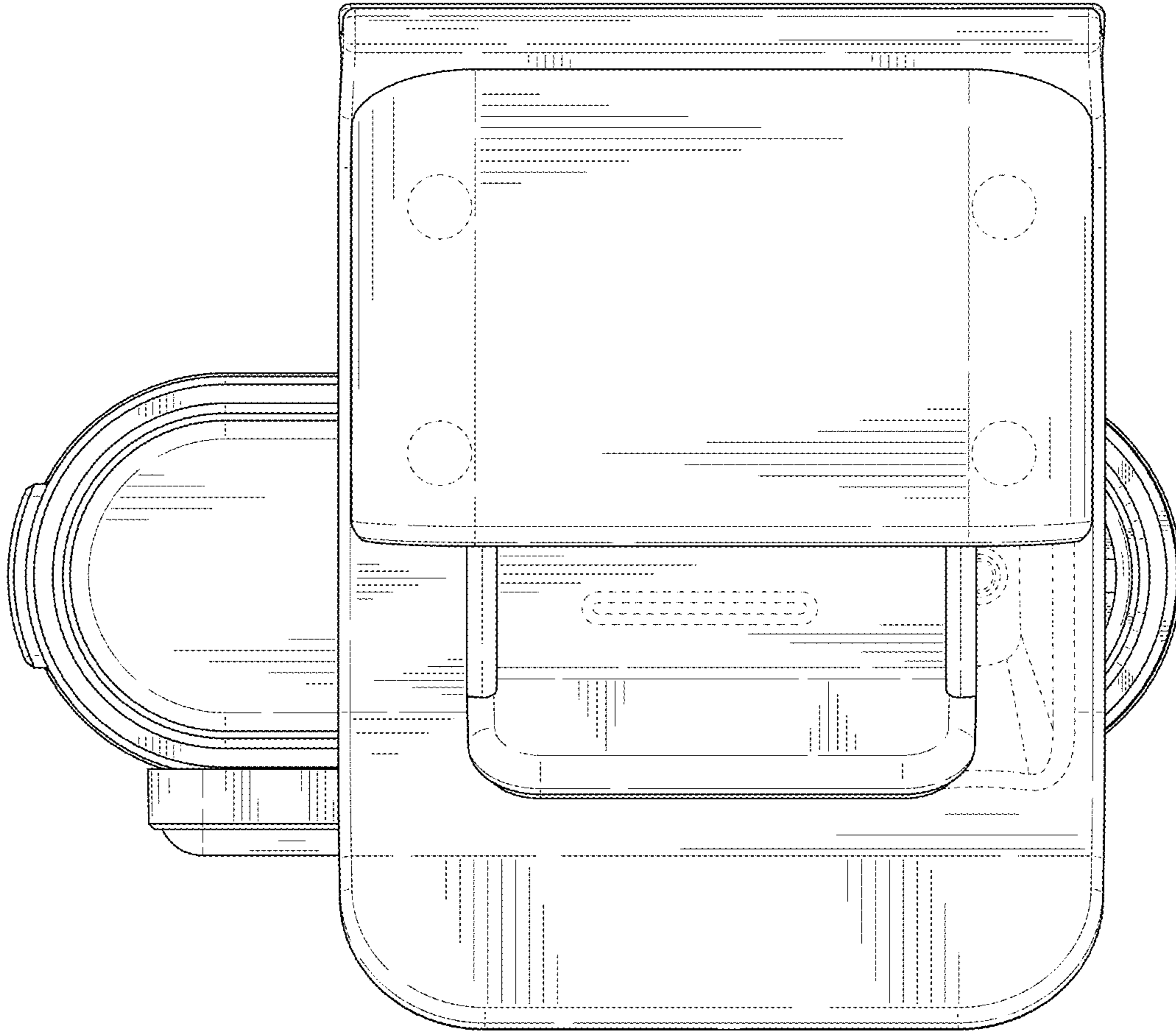


FIG. 4

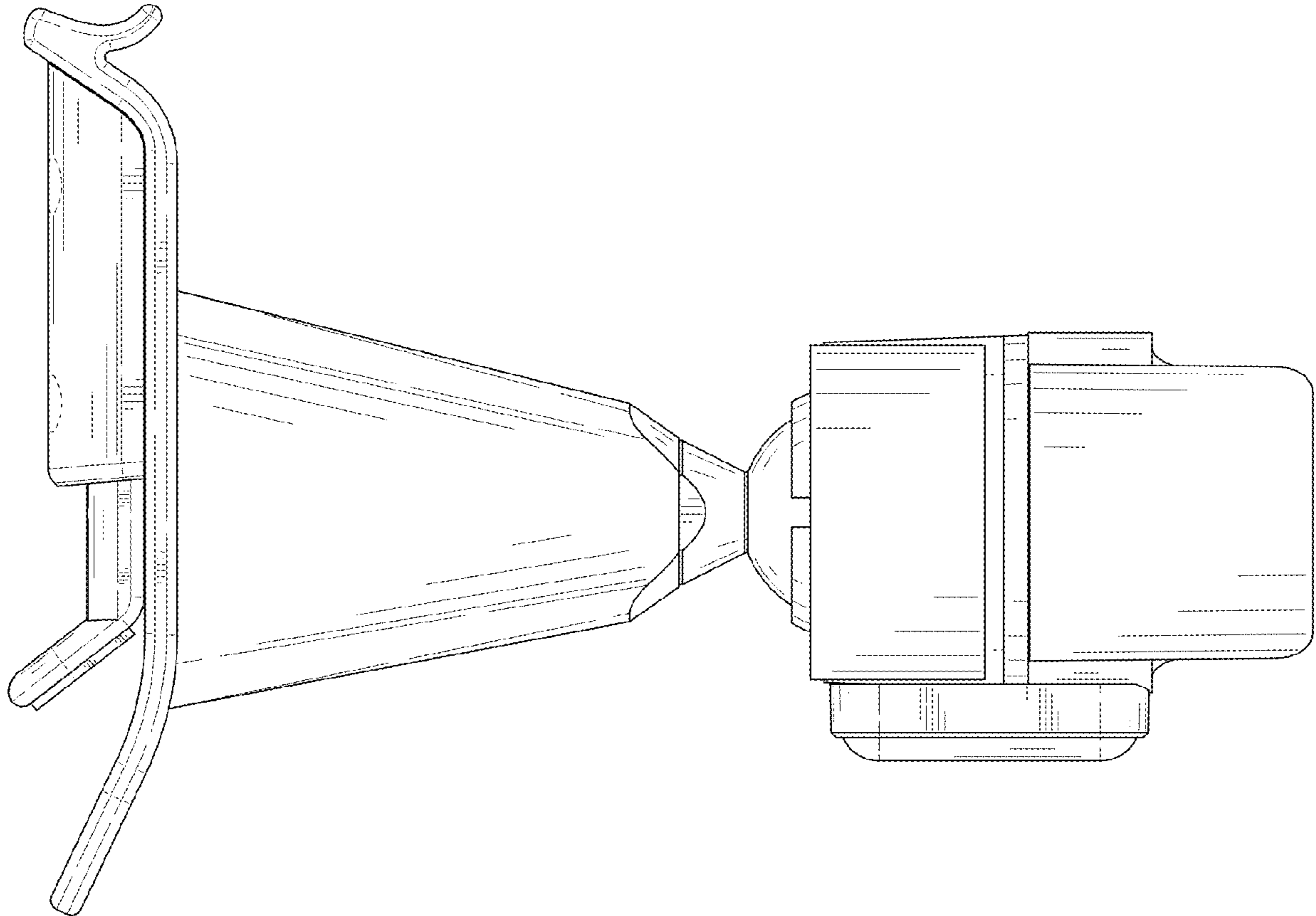


FIG. 5

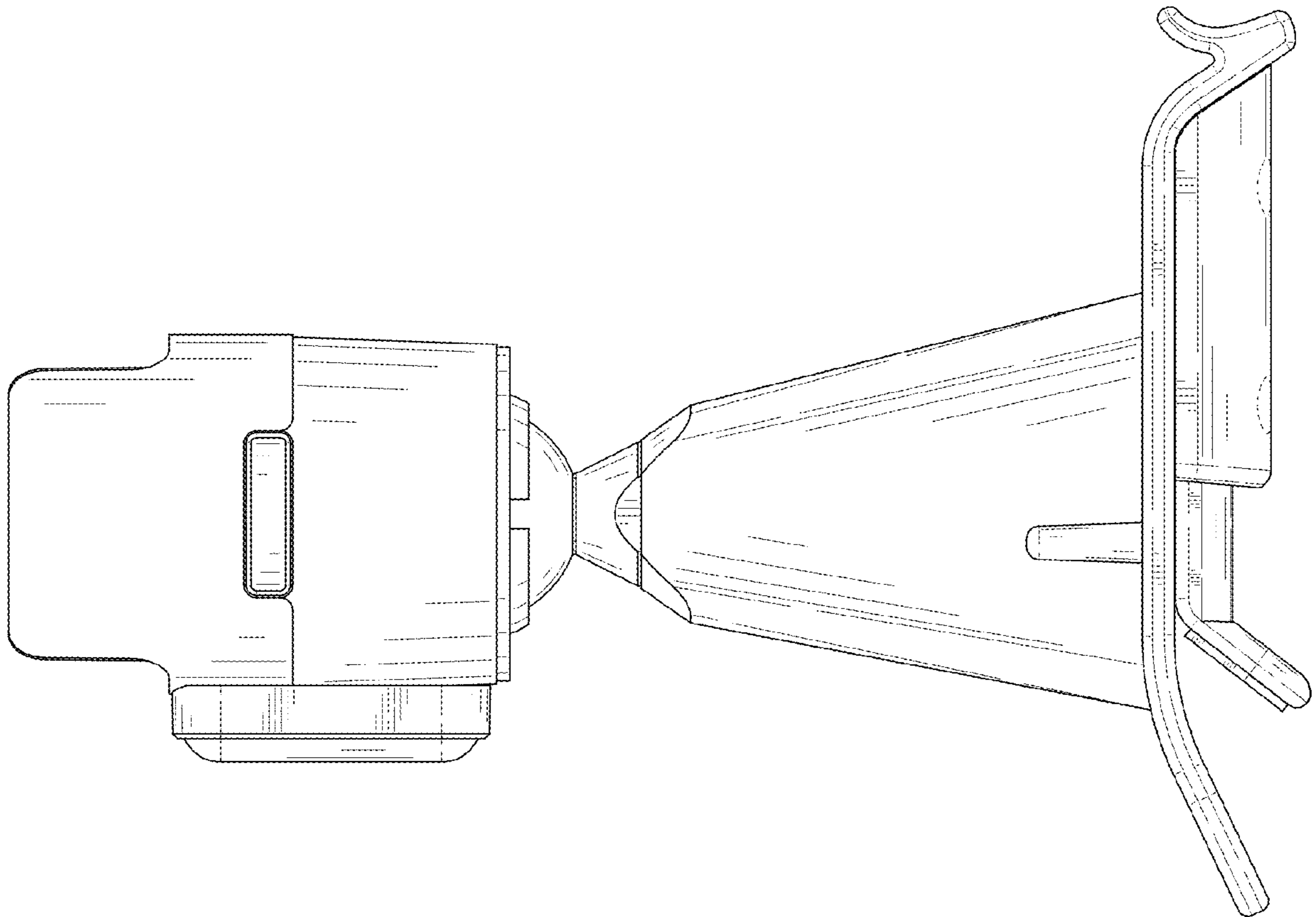


FIG. 6

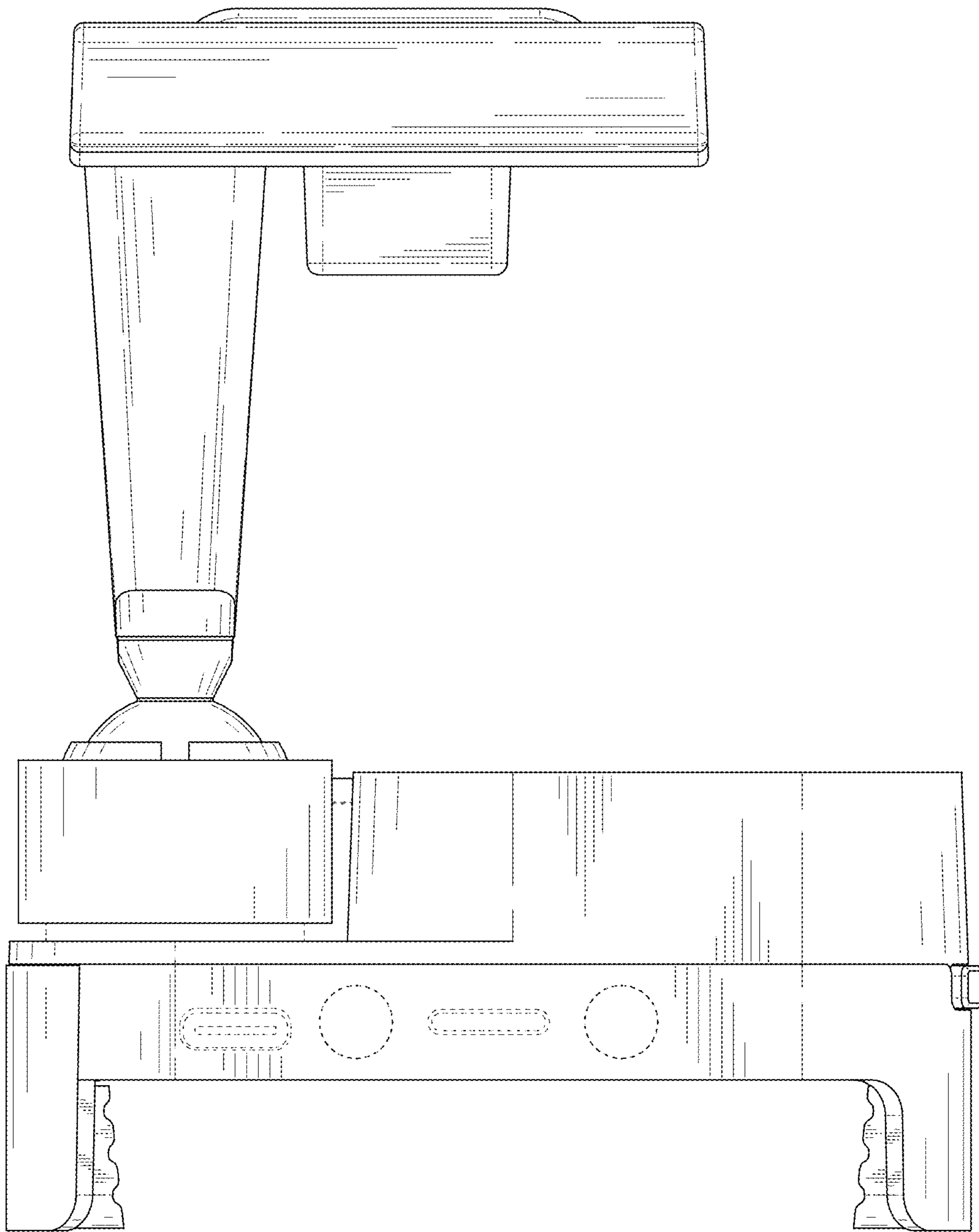


FIG. 7

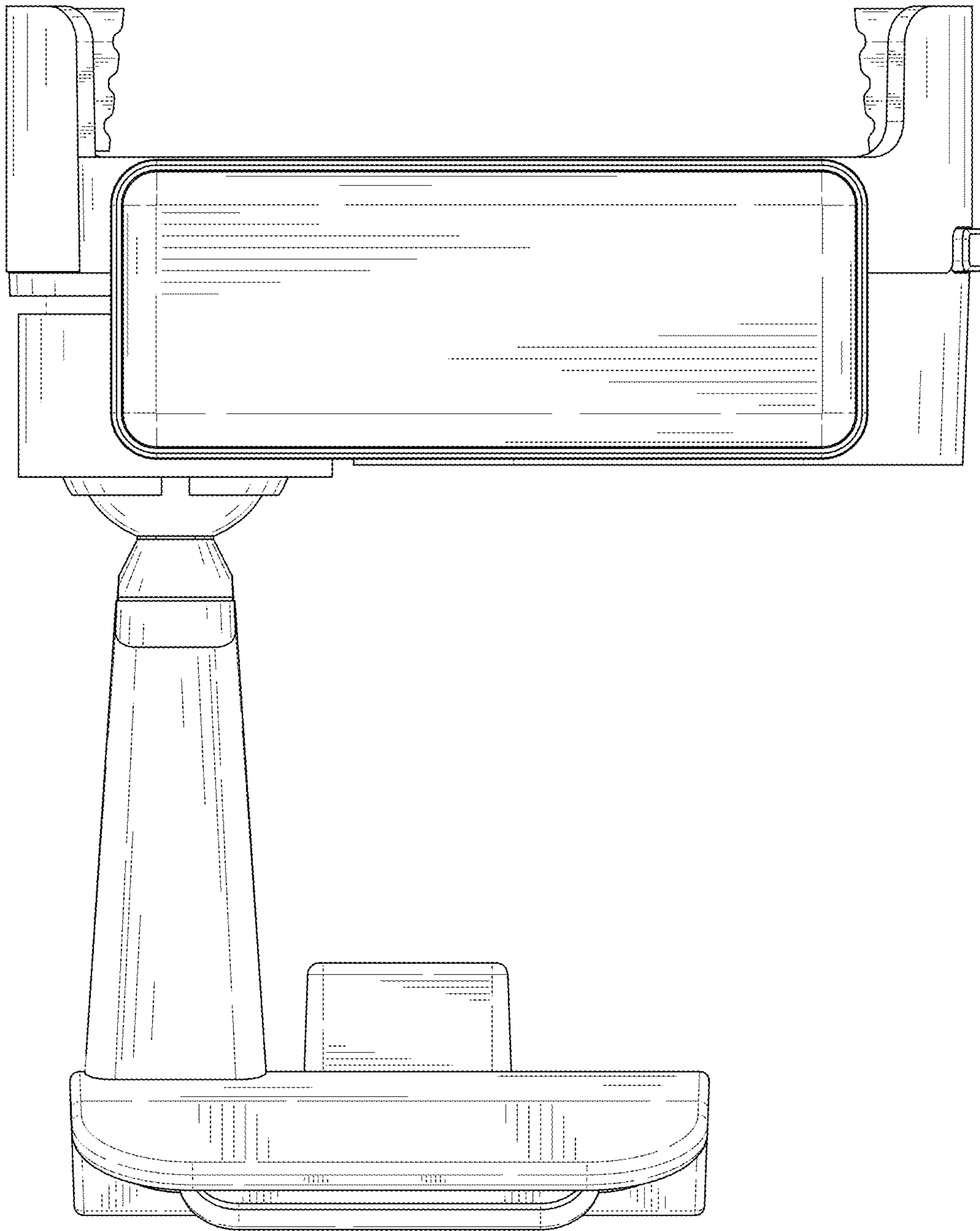


FIG. 8