



US00D980835S

(12) **United States Design Patent**
Tang

(10) **Patent No.:** **US D980,835 S**
(45) **Date of Patent:** **** Mar. 14, 2023**

(54) **PHONE HOLDER**

(71) Applicant: **SHENZHEN ODIER SPORTS TECHNOLOGY CO., LIMITED**,
Shenzhen (CN)

(72) Inventor: **Guanfu Tang**, Shenzhen (CN)

(73) Assignee: **SHENZHEN ODIER SPORTS TECHNOLOGY CO., LIMITED**,
Shenzhen (CN)

(**) Term: **15 Years**

(21) Appl. No.: **29/807,660**

(22) Filed: **Sep. 14, 2021**

(51) **LOC (14) Cl.** **14-03**

(52) **U.S. Cl.**
USPC **D14/253**

(58) **Field of Classification Search**
USPC D14/251–253, 447; D13/108; D12/415
CPC H04M 1/04; H04M 1/21; H04M 1/06;
H04M 1/12; G06F 1/1632; G06F 1/203;
G06F 1/1628
See application file for complete search history.

(56) **References Cited**

U.S. PATENT DOCUMENTS

D666,614	S	*	9/2012	Ding	D14/253
D685,366	S	*	7/2013	Ding	D14/253
D686,200	S	*	7/2013	Huang	D14/253
D686,609	S	*	7/2013	Kadivar	D14/253
D729,223	S	*	5/2015	Haarburger	D14/253
D730,091	S	*	5/2015	Chan	D6/681
9,671,057	B2	*	6/2017	Lin	F16M 11/10
9,730,345	B2	*	8/2017	Wu	F16M 13/00
D809,289	S	*	2/2018	DeChant	D3/247
D839,867	S	*	2/2019	Zhao	D14/253
D839,869	S	*	2/2019	Wang	D14/447

D863,291	S	*	10/2019	Shi	D14/253
10,563,812	B2	*	2/2020	Chen	F16M 11/041
D878,751	S	*	3/2020	DeChant	D3/247
10,656,364	B2	*	5/2020	Lin	H01F 7/02
RE48,041	E	*	6/2020	Wu	G06F 1/16
D903,652	S	*	12/2020	Qiu	D14/253
D904,388	S	*	12/2020	Martin	D14/253
D907,628	S	*	1/2021	Feng	D14/253
D908,688	S	*	1/2021	Zhang	D14/253
D910,612	S	*	2/2021	Xiao	D14/253
D912,036	S	*	3/2021	Zhang	D14/253
D912,654	S	*	3/2021	Weng	D14/253
10,935,182	B2	*	3/2021	Lin	F16M 13/005
D916,694	S	*	4/2021	Xiao	D14/253
D929,393	S	*	8/2021	Chen	D14/253

(Continued)

Primary Examiner — Janice Hallmark

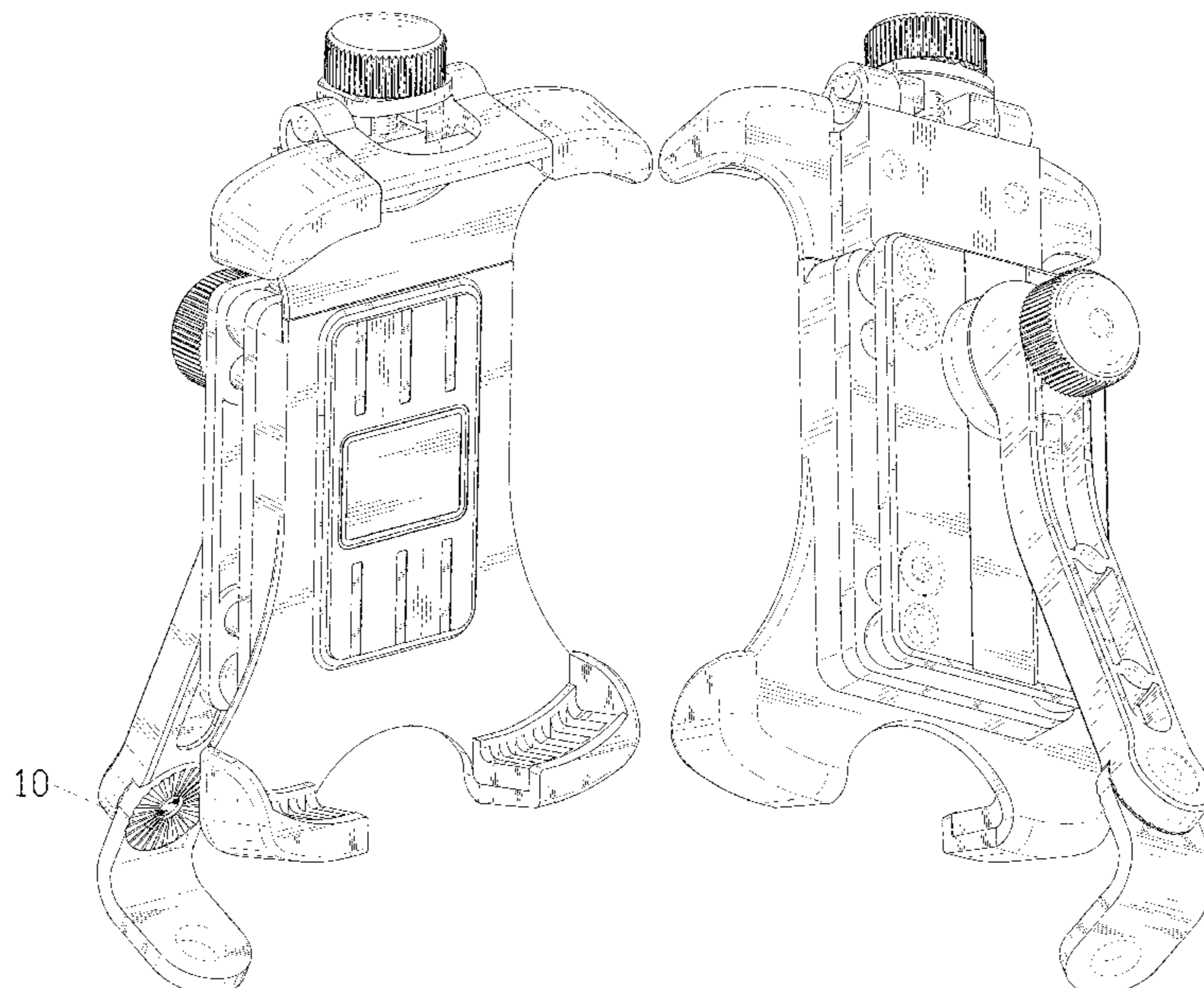
(57) **CLAIM**

The ornamental design for a phone holder, as shown and described.

DESCRIPTION

FIG. 1 is a perspective view of a phone holder showing my new design;
 FIG. 2 is another perspective view thereof;
 FIG. 3 is a front elevational view thereof;
 FIG. 4 is a rear elevational view thereof;
 FIG. 5 is a left side elevational view thereof;
 FIG. 6 is a right side elevational view thereof;
 FIG. 7 is a top plan view thereof;
 FIG. 8 is a bottom plan view thereof;
 FIG. 9 is a perspective view of the phone holder where the phone holder is in a configuration of use; and,
 FIG. 10 is an enlarged view of portion 10 shown in FIG. 1.
 The dash-dash broken lines in the drawings depict portions of the phone holder that form no part of the claimed design. The dot-dash broken lines represent boundaries of the enlarged portion and form no part of the claimed design.

1 Claim, 10 Drawing Sheets



(56)

References Cited

U.S. PATENT DOCUMENTS

D929,986 S * 9/2021 Chen D14/253
 D930,642 S * 9/2021 Chen D14/253
 D931,270 S * 9/2021 Qiu D14/253
 D931,849 S * 9/2021 Qiu D14/253
 D934,228 S * 10/2021 Patterson D14/447
 D934,230 S * 10/2021 He D14/447
 D936,645 S * 11/2021 Deng D12/114
 D937,775 S * 12/2021 Maloney D13/108
 D944,806 S * 3/2022 Zhang D14/251
 D945,409 S * 3/2022 Tang D14/253
 D945,410 S * 3/2022 Tang D14/253
 D946,565 S * 3/2022 Liu D3/218
 D947,168 S * 3/2022 Jiao D14/253
 D947,169 S * 3/2022 Jiao D14/253
 11,290,585 B2 * 3/2022 Lin H04M 1/04
 D948,519 S * 4/2022 Zhou D14/447
 D949,140 S * 4/2022 He D14/447
 D949,841 S * 4/2022 Qiu D12/407

D949,842 S * 4/2022 Qiu D12/407
 D951,261 S * 5/2022 Zhou D14/447
 D952,641 S * 5/2022 Zhong D14/440
 11,359,761 B2 * 6/2022 Liu F16M 11/10
 D959,420 S * 8/2022 Gan D14/253
 D960,143 S * 8/2022 Wu D14/253
 D960,144 S * 8/2022 Yuan D14/253
 D960,145 S * 8/2022 Zhou D14/253
 D963,571 S * 9/2022 Peng D13/107
 D963,636 S * 9/2022 Gan D14/253
 D964,343 S * 9/2022 Nguyen D14/447
 D966,274 S * 10/2022 Yu D14/447
 D966,275 S * 10/2022 Yu D14/447
 D971,202 S * 11/2022 Wang D14/253
 2016/0377220 A1 * 12/2016 Lin F16M 11/10
 248/176.3
 2020/0208773 A1 * 7/2020 Lin F16M 13/005
 2021/0014348 A1 * 1/2021 Lin G06F 1/166
 2022/0202179 A1 * 6/2022 Lin F16M 11/10
 2022/0205585 A1 * 6/2022 Lin F16M 11/10
 2022/0228703 A1 * 7/2022 Lin F16M 11/10

* cited by examiner

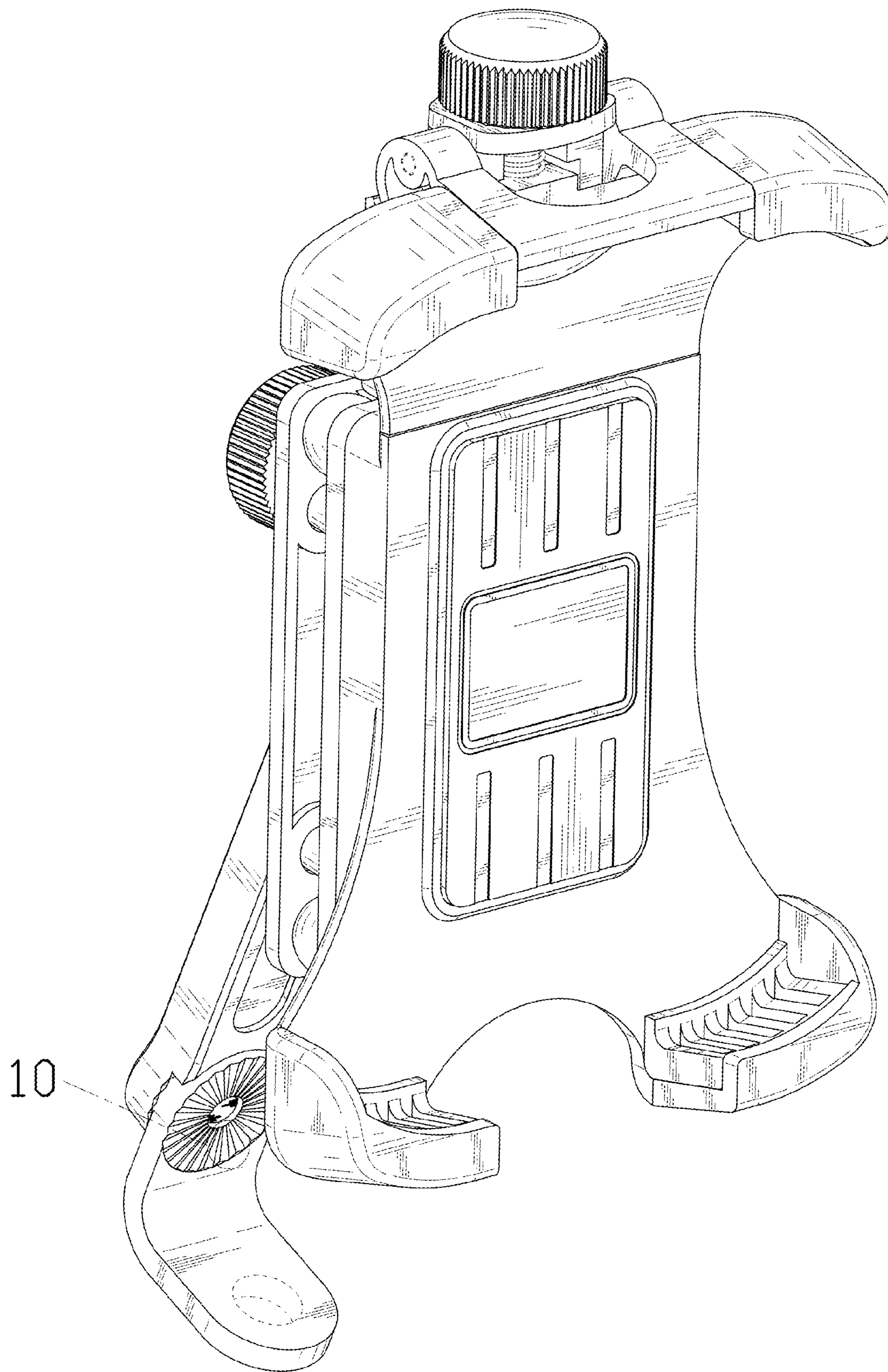


FIG. 1

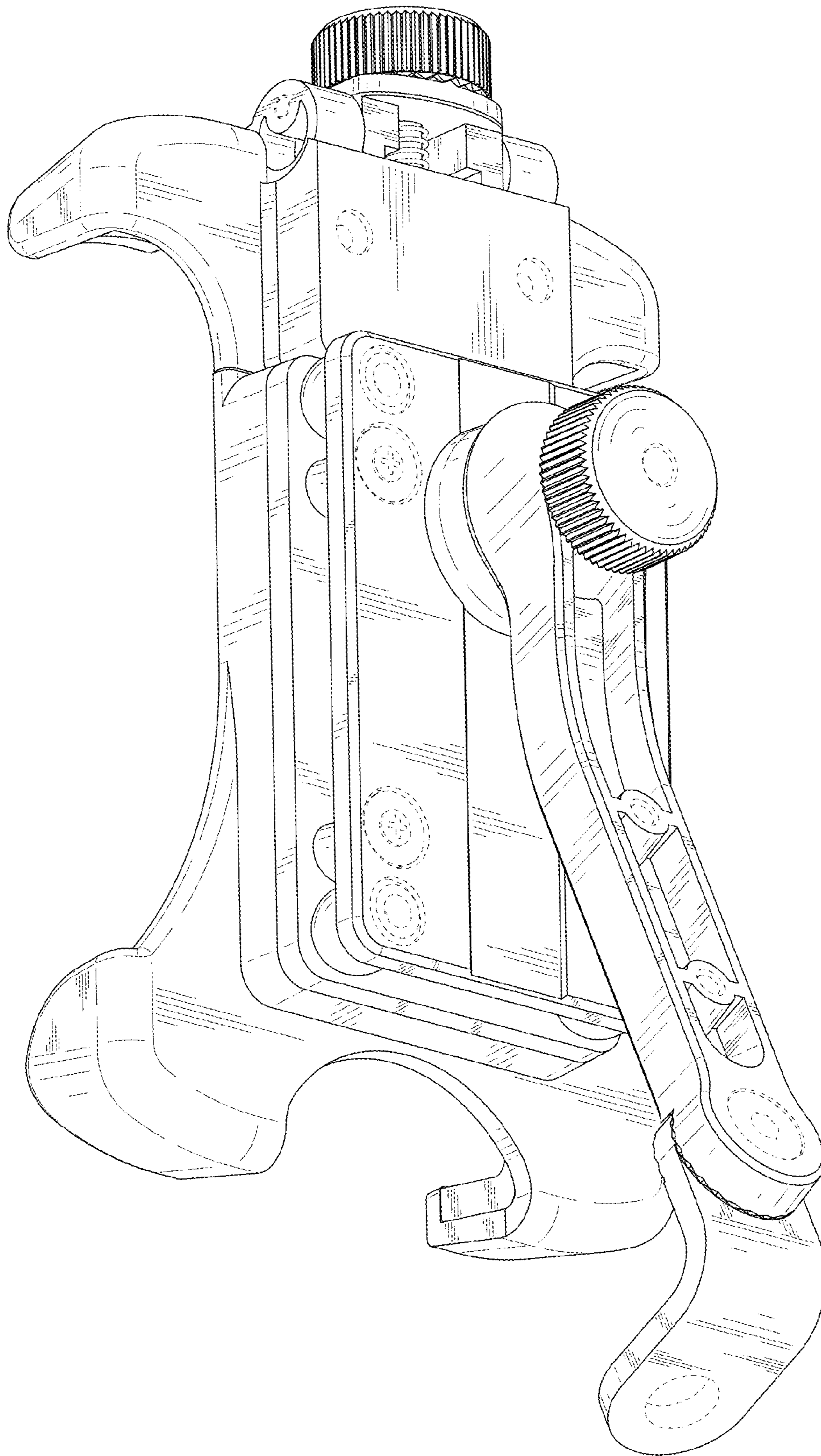


FIG. 2

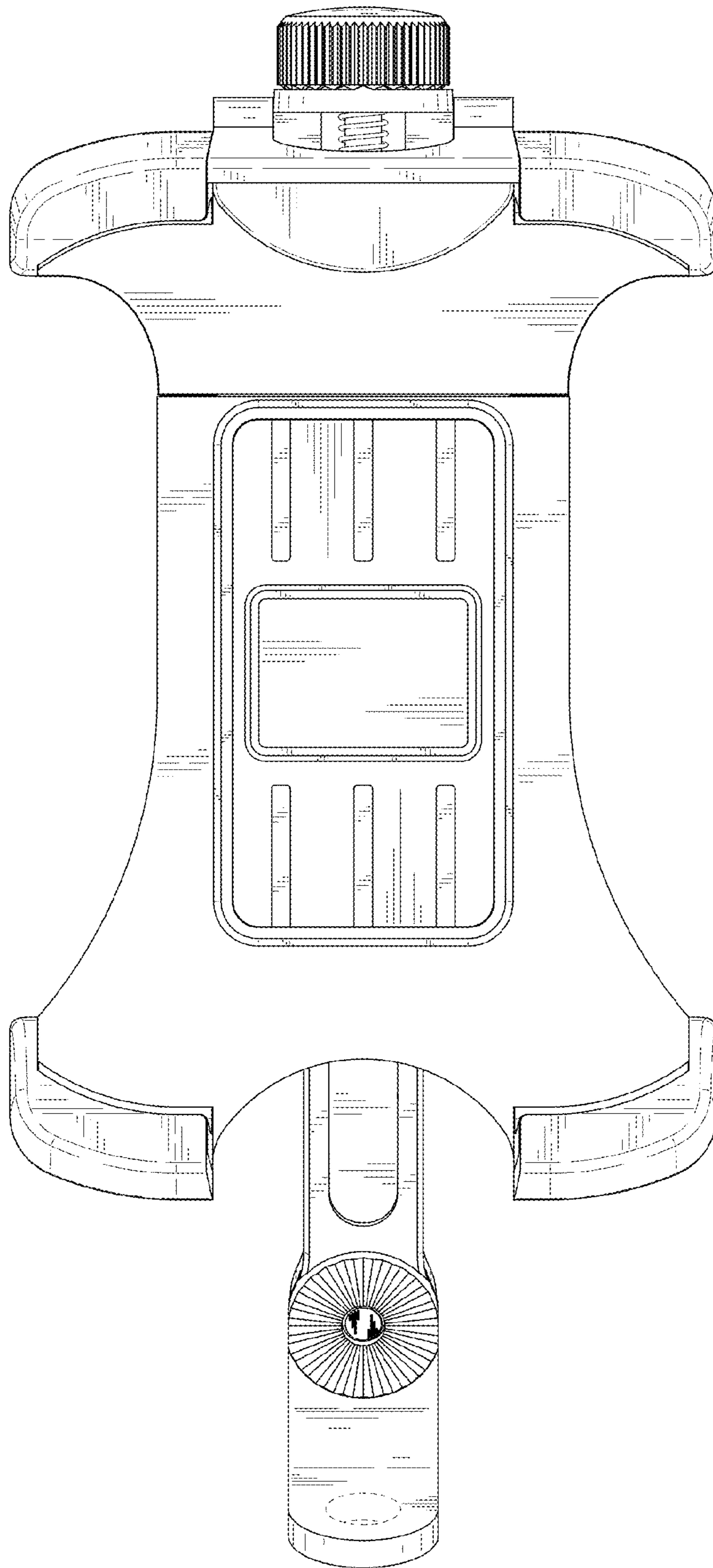


FIG. 3

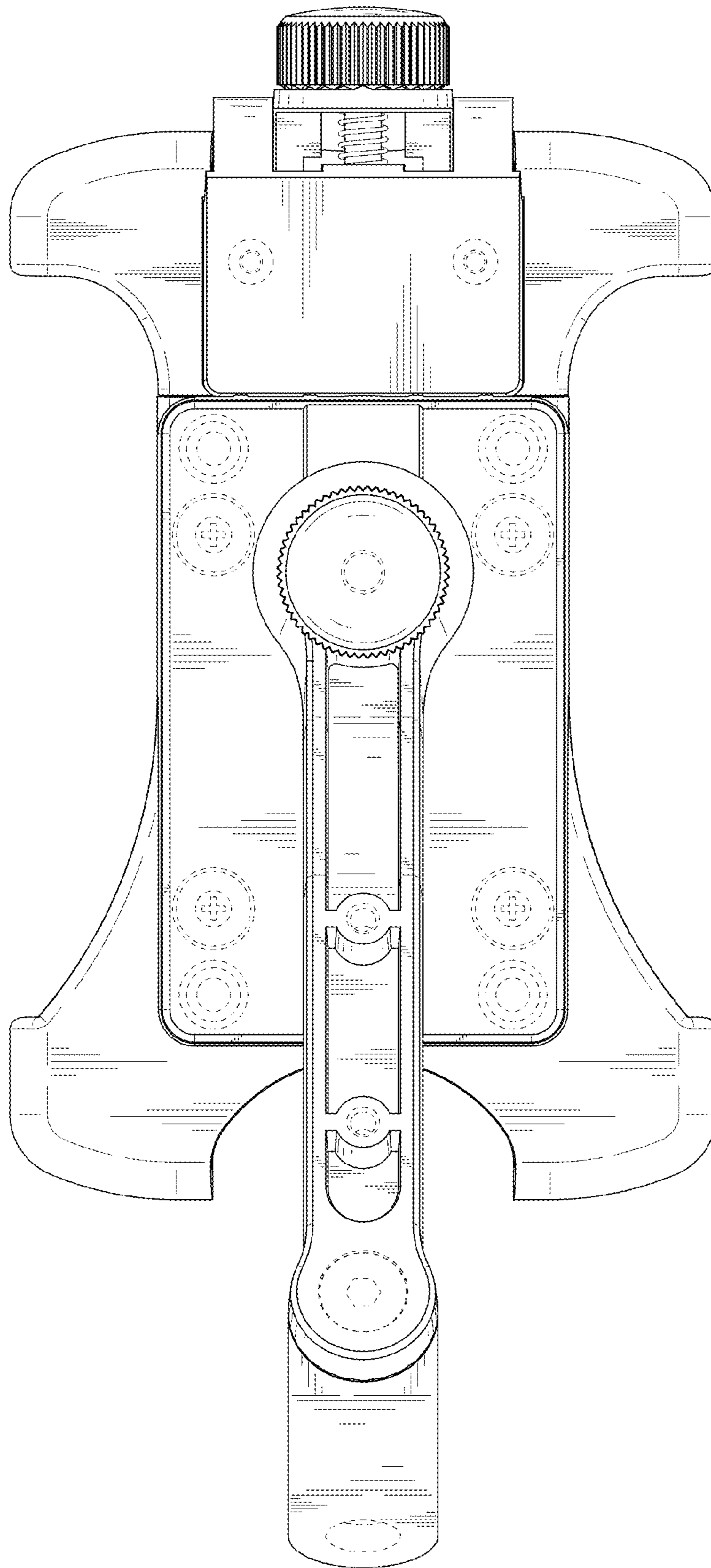


FIG. 4

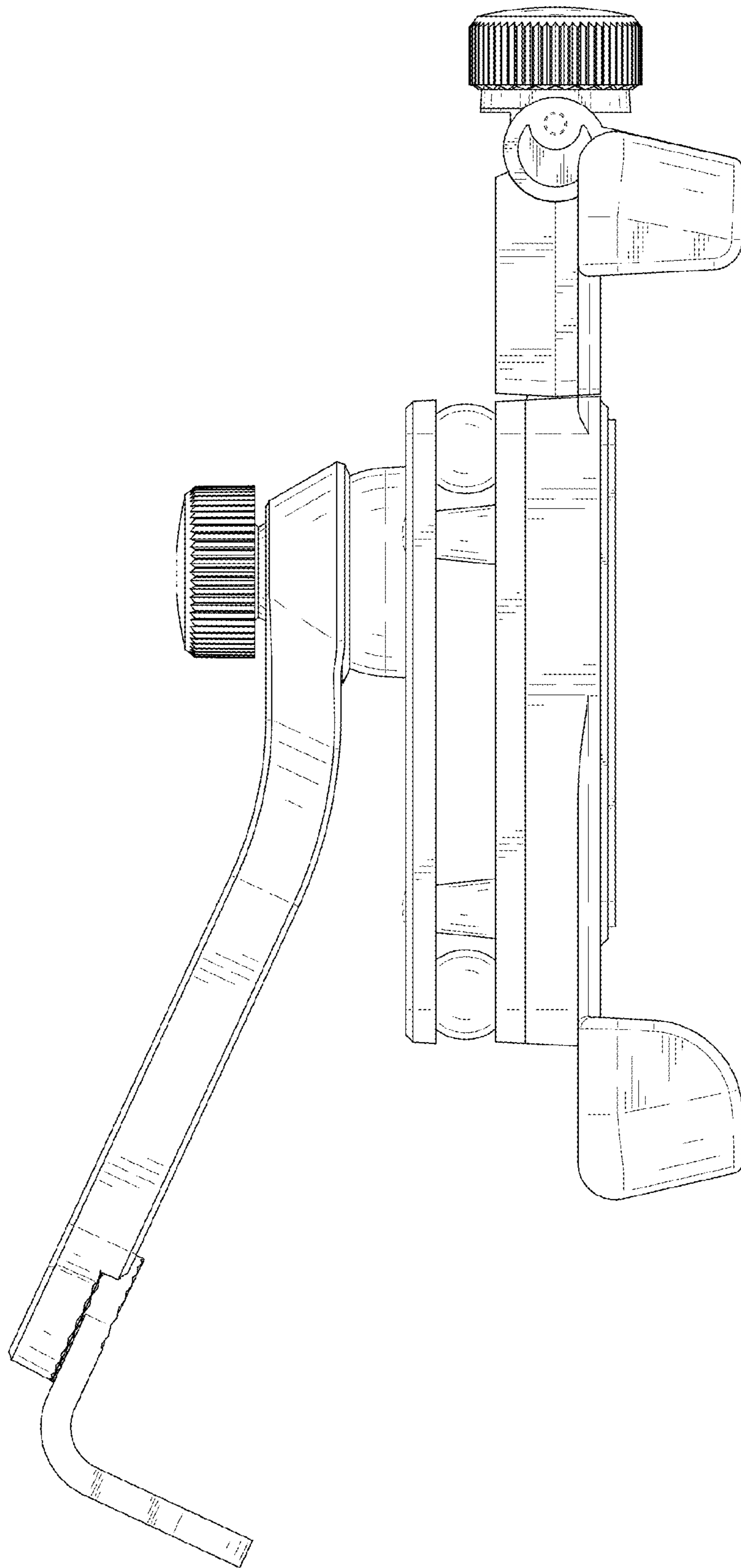


FIG. 5

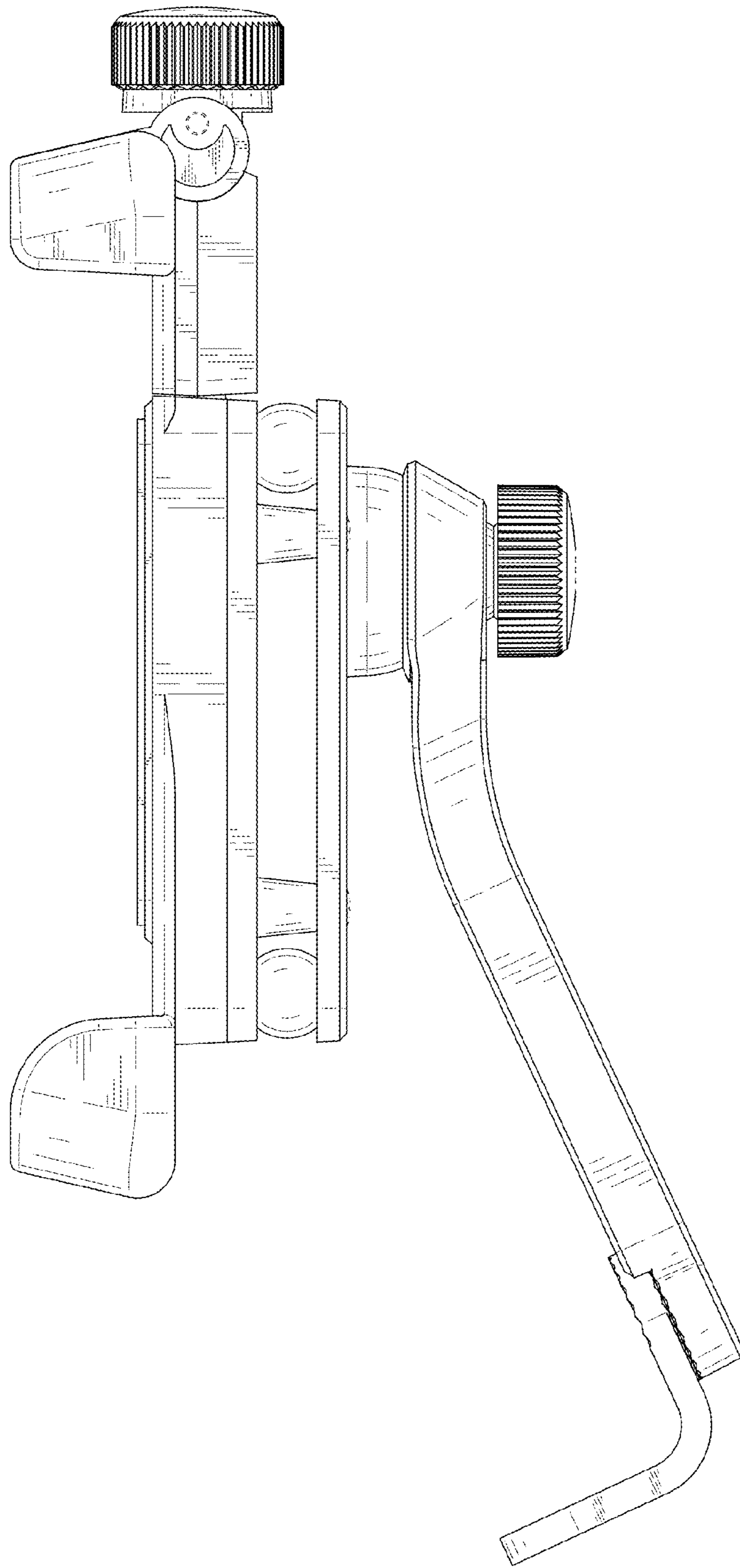


FIG. 6

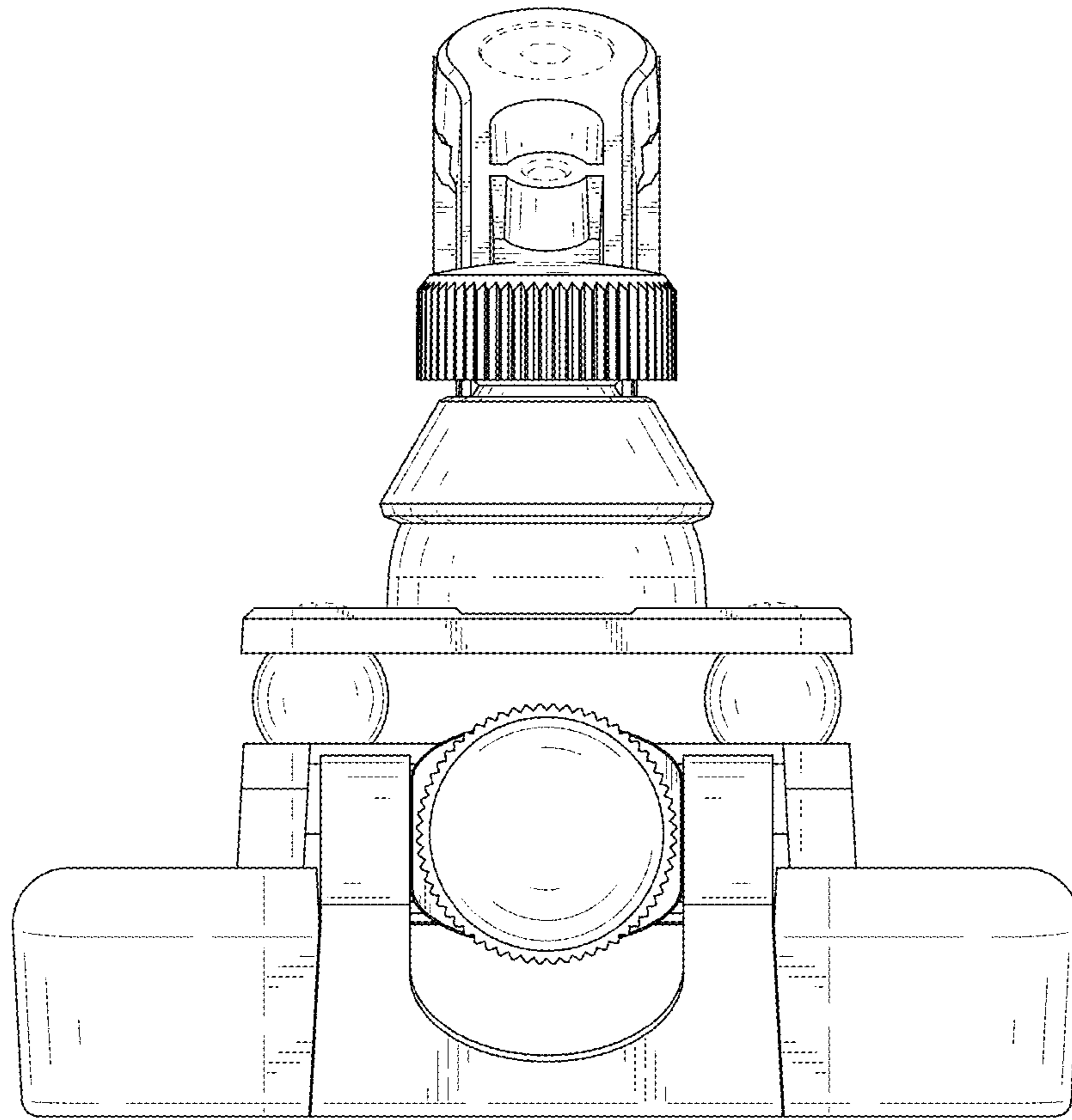


FIG. 7

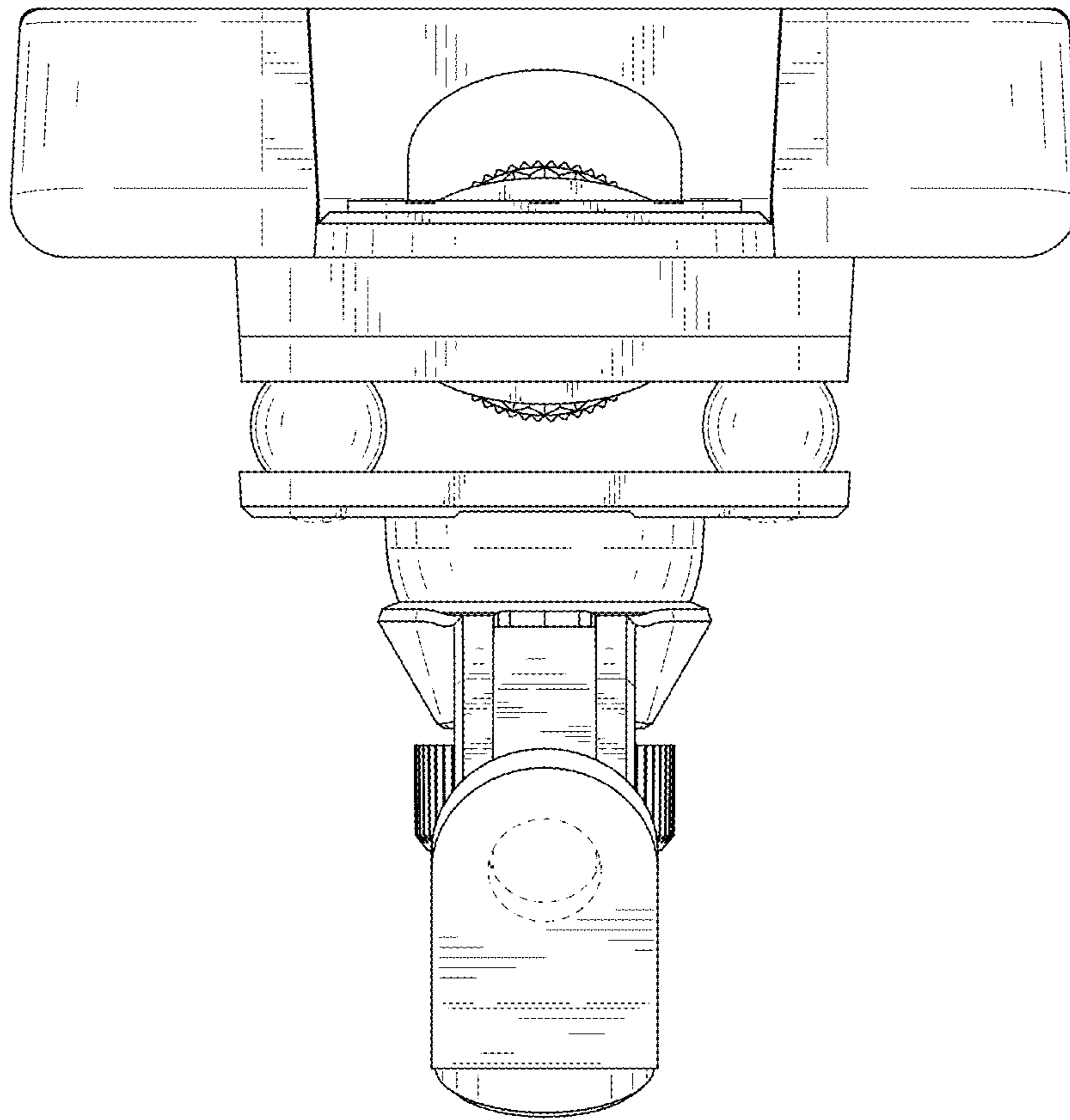


FIG. 8

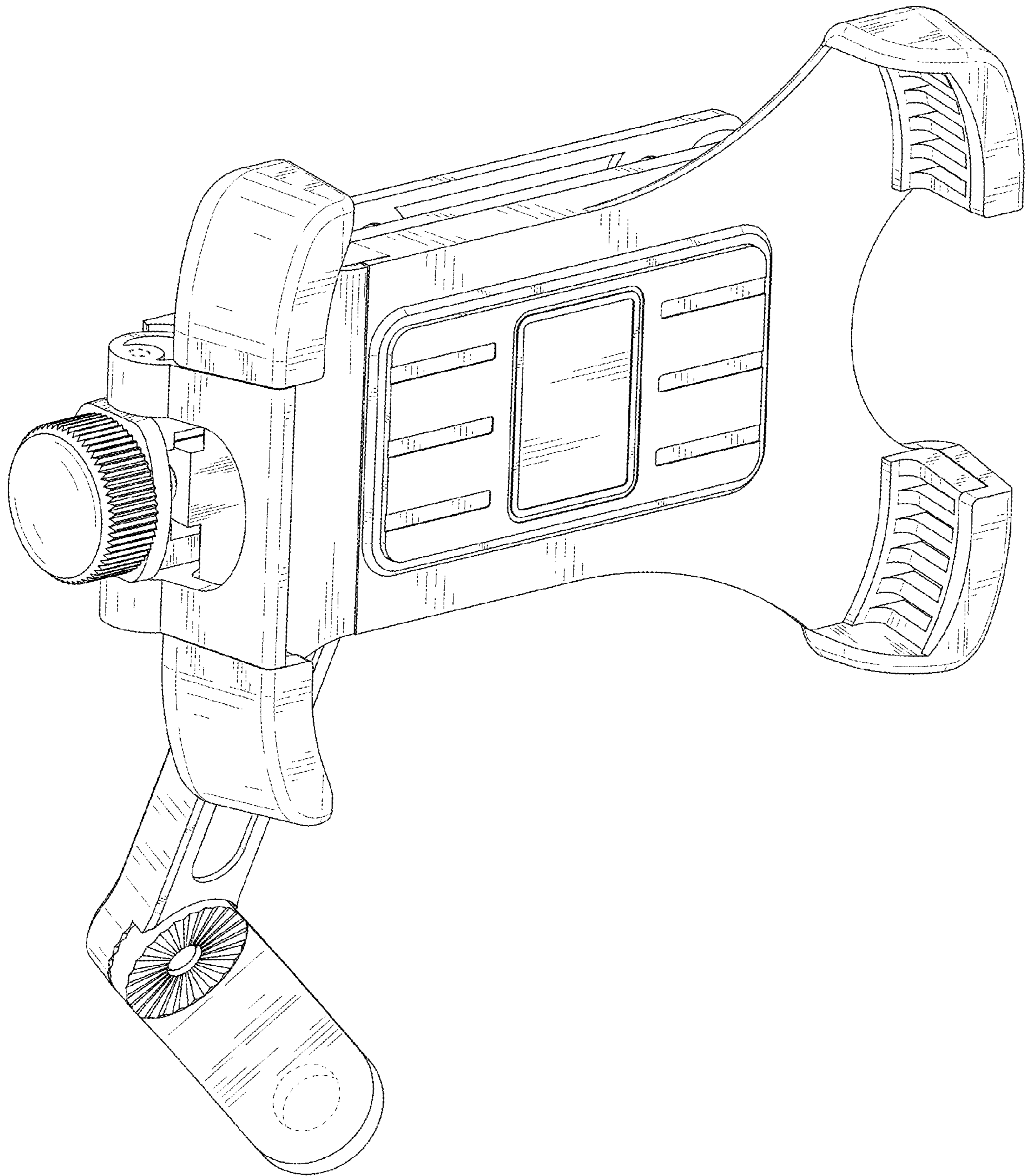


FIG. 9

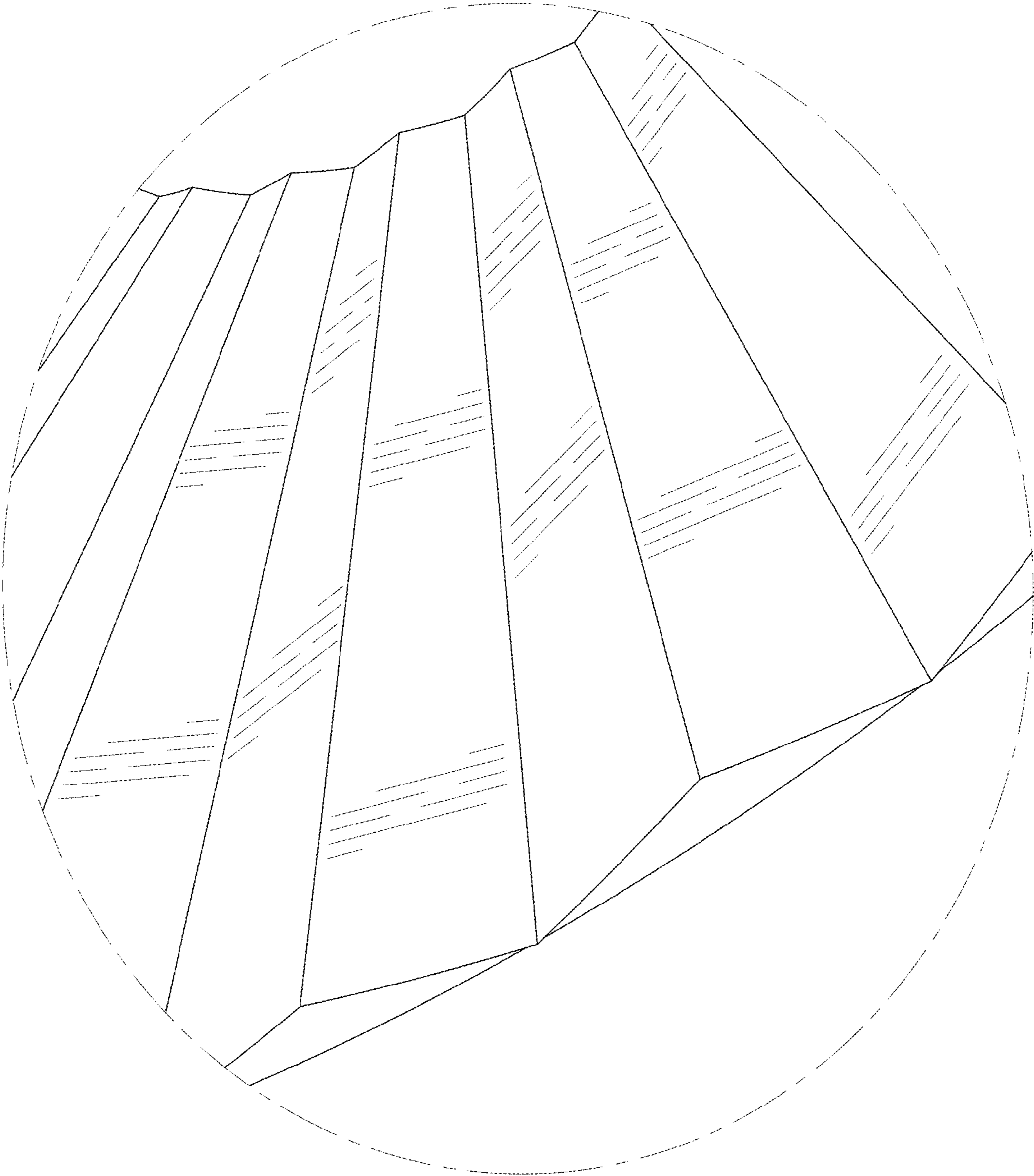


FIG. 10