



US00D980832S

(12) **United States Design Patent**
Wu

(10) **Patent No.:** **US D980,832 S**
(45) **Date of Patent:** **** Mar. 14, 2023**

(54) **MICROPHONE STAND**

FOREIGN PATENT DOCUMENTS

(71) Applicant: **AVerMedia TECHNOLOGIES, INC.**,
New Taipei (TW)

JP D1696872 * 10/2021
TW 213702-0001 * 9/2021

(72) Inventor: **Cheng-Yun Wu**, New Taipei (TW)

OTHER PUBLICATIONS

(73) Assignee: **AVerMedia TECHNOLOGIES, INC.**,
New Taipei (TW)

AVerMedia Live Streamer ARM, date first available: May 10, 2022, [retrieved Aug. 11, 2022], Retrieved from Internet, URL: <https://www.amazon.com/AVerMedia-Live-Streamer-ARM-Broadcasting/dp/B09ZXFNCSS/ref=asc_df_B09ZXFNCSS/?tag=hyprod-20&linkCode=df0%E2%80%A6> (Year: 2022).*

(**) Term: **15 Years**

(Continued)

(21) Appl. No.: **29/782,288**

(22) Filed: **May 5, 2021**

(30) **Foreign Application Priority Data**

Nov. 6, 2020 (TW) 109306179

(51) **LOC (14) Cl.** **14-01**

(52) **U.S. Cl.**
USPC **D14/229**; D14/224

(58) **Field of Classification Search**
USPC D14/155–159, 160–173, 187–188,
D14/189–198, 203.1–203.8, 204–216,
D14/217–222, 223, 224–229, 239,
D14/251–253, 257–258, 335–337,
D14/371–382, 432, 439–441, 447–452,
D14/457, 496, 498–506; D6/672–673,
D6/675.1, 682; D26/60–63
CPC H04R 1/02; H04R 1/021; H04R 1/025;
H04R 1/026; H04R 1/028; H04R 1/06;
H04R 1/105; H04R 1/323; H04R 1/403;
H04R 1/2803; H04R 1/2834
See application file for complete search history.

Primary Examiner — Messina L Smith

Assistant Examiner — Aram Kwon

(74) *Attorney, Agent, or Firm* — CKC & Partners Co.,
LLC

(57) **CLAIM**

The ornamental design for a microphone stand, as shown and described.

DESCRIPTION

FIG. 1 is a perspective view of a microphone stand showing my new design;
FIG. 2 is a front elevational view thereof;
FIG. 3 is a rear elevational view thereof;
FIG. 4 is a left side elevational view thereof;
FIG. 5 is a right side elevational view thereof;
FIG. 6 is a top plan view thereof;
FIG. 7 is a bottom plan view thereof;
FIG. 8 is another perspective view thereof; and,
FIG. 9 is another perspective view of the microphone stand shown in an environment of use.
The broken lines in FIGS. 1-8 depict portions of the microphone stand that form no part of the claimed design. The broken lines showing of a surface in FIGS. 9 depicts environmental structure that forms no part of the claimed design.

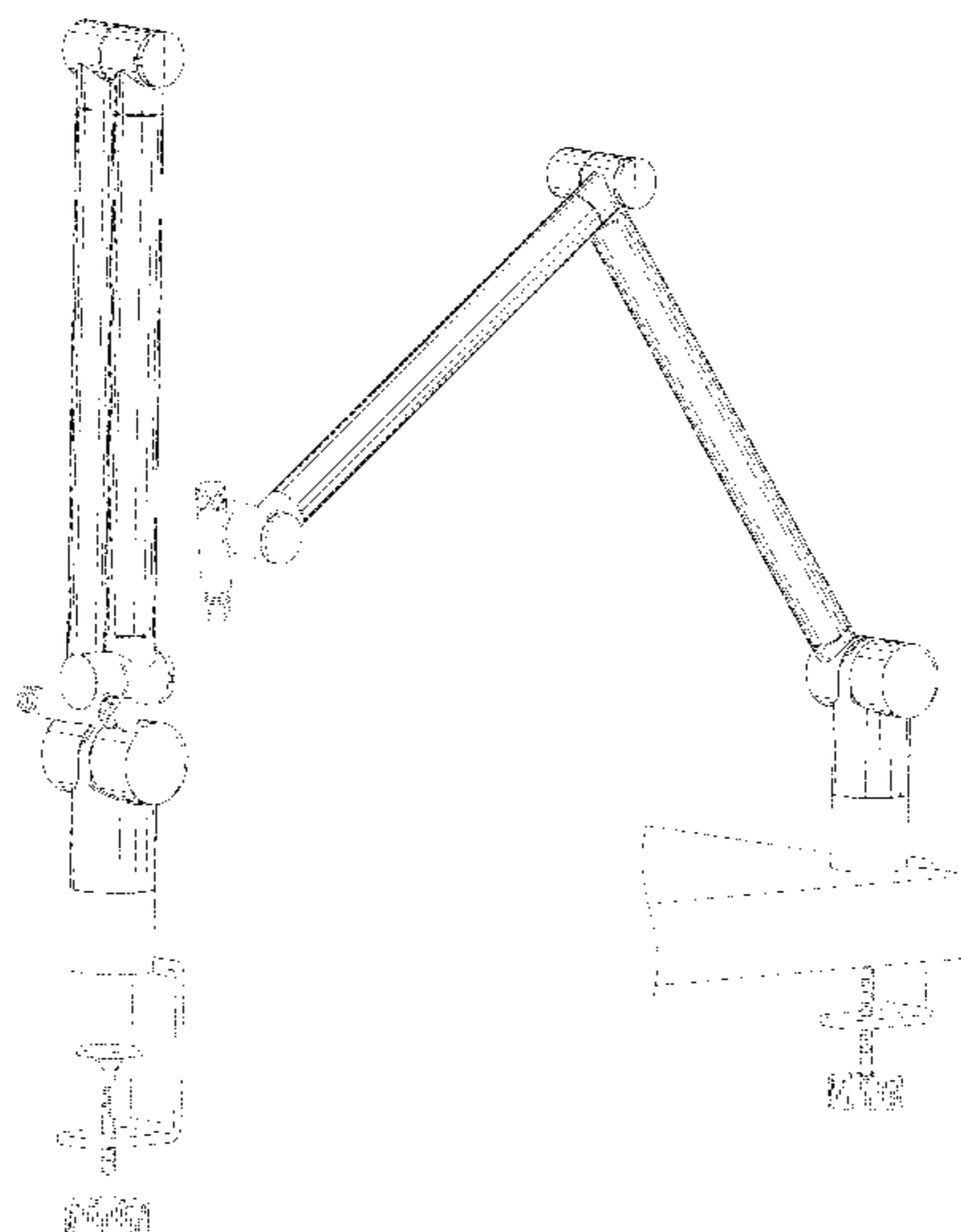
(56) **References Cited**

U.S. PATENT DOCUMENTS

D135,479 S * 4/1943 Hopkins D26/65
D174,508 S * 4/1955 Mehr D26/65
4,298,921 A * 11/1981 Krogsrud F21V 7/0066
362/348
D275,037 S * 8/1984 Saferstein D16/135

(Continued)

1 Claim, 9 Drawing Sheets



(56)

References Cited

OTHER PUBLICATIONS

U.S. PATENT DOCUMENTS

D309,661	S	*	7/1990	Shwisha	D16/135
D319,889	S	*	9/1991	Lu	D16/135
D334,759	S	*	4/1993	Meyer	D26/65
D345,027	S	*	3/1994	Huang	D26/65
D352,125	S	*	11/1994	Hayashibara	D26/65
D378,859	S	*	4/1997	Yumita	D26/65
D458,401	S	*	6/2002	Diffrient	D26/60
D471,665	S	*	3/2003	Huang	D26/145
D486,938	S	*	2/2004	Waldmann	D26/60
D505,219	S	*	5/2005	Jacquelin	D26/51
D517,713	S	*	3/2006	Waldmann	D26/60
D519,990	S	*	5/2006	Lazor	D14/229
D528,691	S	*	9/2006	Waldmann	D26/65
D617,933	S	*	6/2010	Ng	D26/65
D620,165	S	*	7/2010	Huang	D26/65
D623,333	S	*	9/2010	Huang	D26/65
D753,860	S	*	4/2016	Chen	D26/65
D815,326	S	*	4/2018	Waldmann	D26/60
D822,879	S	*	7/2018	Hodgson	D26/108
D824,067	S	*	7/2018	Waldmann	F21V 21/00 D26/65
D835,318	S	*	12/2018	Kaluza	D26/65
D860,495	S	*	9/2019	Waldmann	D26/65
D860,496	S	*	9/2019	Waldmann	D26/65
D878,118	S	*	3/2020	Renwick	D6/680.2
D883,551	S	*	5/2020	Waldmann	D26/65
D921,950	S	*	6/2021	Ye	D26/60
D935,670	S	*	11/2021	Zeng	D26/60

Donner Boom Arm, date first available: Nov. 27, 2021, [retrieved Aug. 11, 2021], Retrieved from Internet, URL: <https://www.amazon.com/dp/B09MNCSPHN/ref=sspa_dk_detail_4?psc=1&pf_rd_p=3481f441-61ac-4028-9c1a-7f9ce8ec50c5&pf_rd_r=G665SX97G%E2%80%A6> (Year: 2021).*

Gator Frameworks, date first available: Dec. 20, 2019, [retrieved Aug. 11, 2022], Retrieved from Internet, URL: <https://www.amazon.com/Gator-Frameworks-Desk-Mounted-Microphone-GFWBCBM3000/dp/B082YHPC3Z/ref=asc_df_B082YHPC3Z/?tag=hyprod-%E2%80%A61%2F11&th=1> (Year: 2019).*

MOUNT-IT! Adjustable Microphone Boom Arm, date first available: Sep. 11, 2020, [retrieved Aug. 11, 2022], Retrieved from Internet, URL: <https://www.amazon.com/dp/B0863HPBWX/ref=sspa_dk_detail_3?psc=1&pd_rd_i=B0863HPBWX&pd_rd_w=T5K9v&content-id=amzn1.sym.3481f4%E2%80%A6> (Year: 2020).*

BCM-200 Scissor Style Broadcast Mic Stand, date not available, [retrieved Aug. 11, 2022], Retrieved from Internet, URL: <<https://www.ultimatesupport.com/products/bcm-200-scissor-style-broadcast-mic-stand>> (Year: 2022).*

Blue Microphones Compass, review date: Aug. 2, 2020, [retrieved Aug. 11, 2022], Retrieved from Internet, URL: <https://www.cdw.com/product/blue-microphones-compass-mounting-kit-for-microphone-black/6005303?gclid=EAlalQobChMltofOw56_-QIVPvDjBx2YCwCMEAQYCSABEglRjvD_BwE&cm_ven=acquir%E2%80%A6> (Year: 2020).*

* cited by examiner

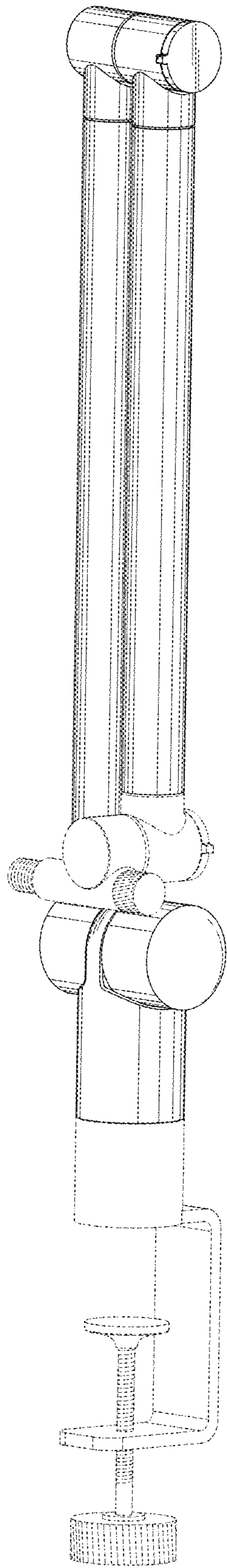


Fig. 1

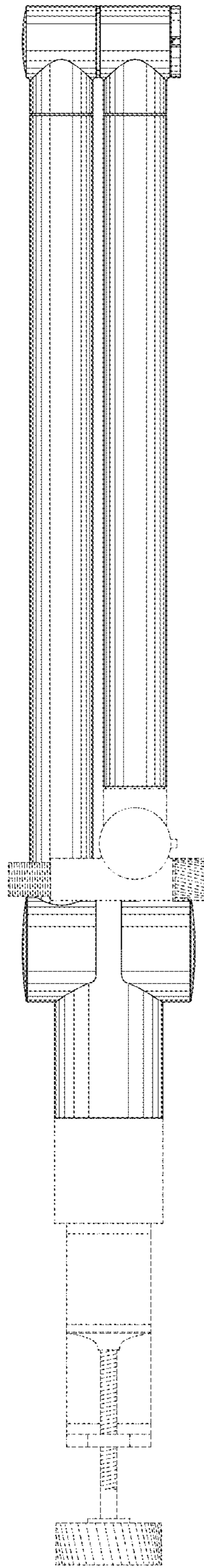


Fig. 2

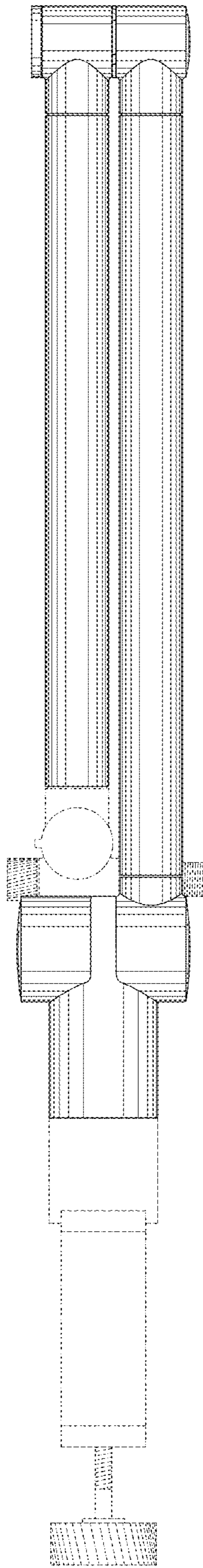


Fig. 3

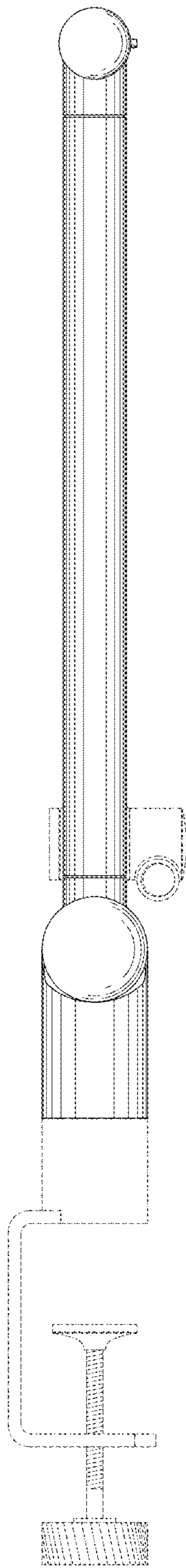


Fig. 4

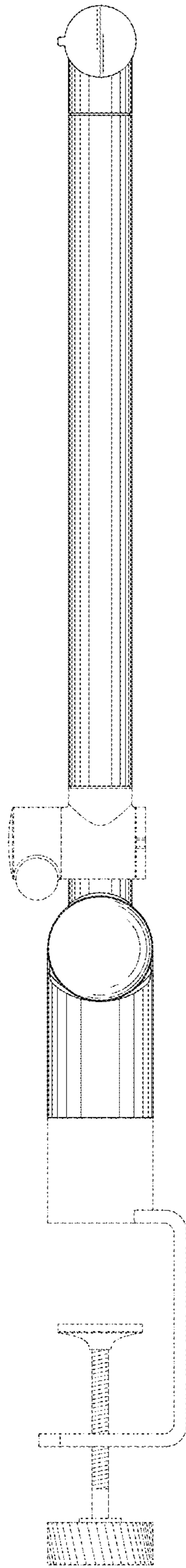


Fig. 5

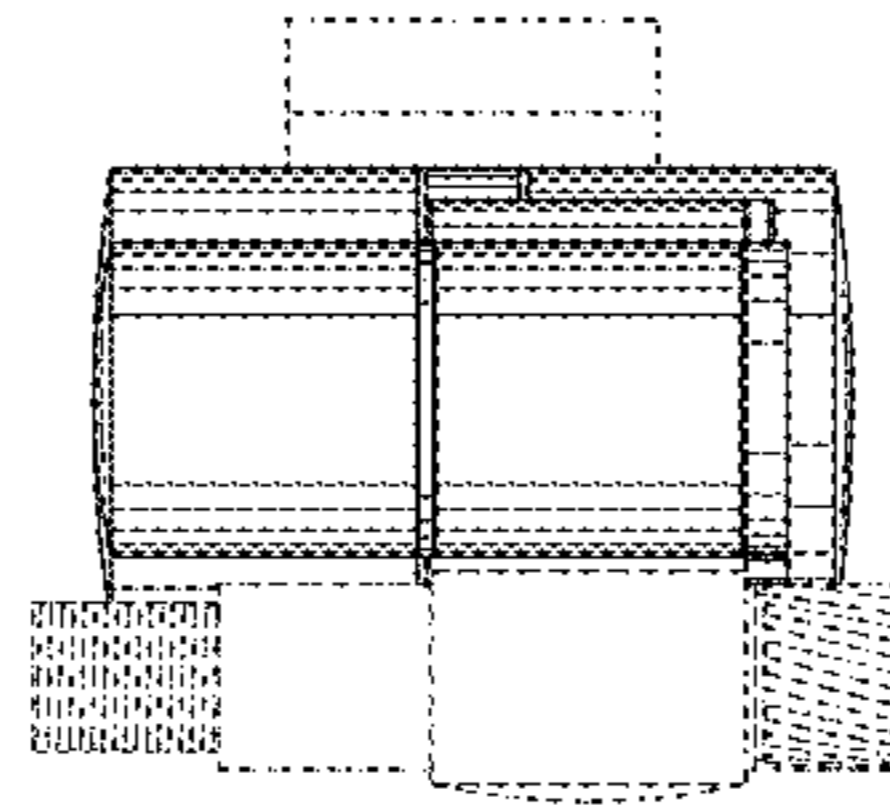


Fig. 6

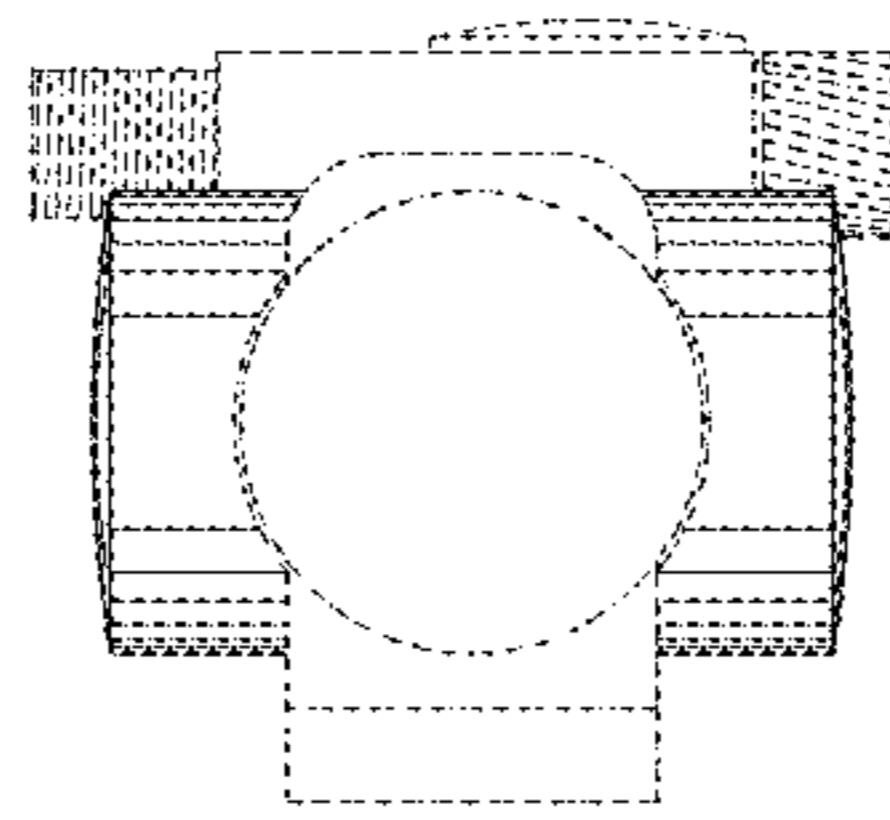


Fig. 7

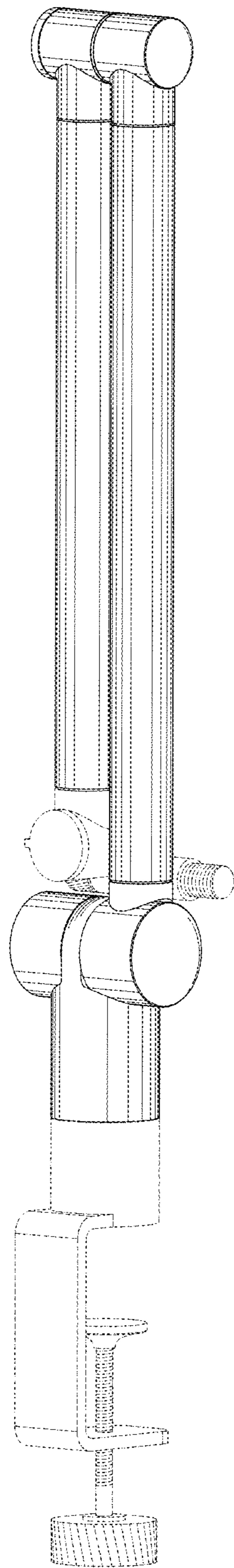


Fig. 8

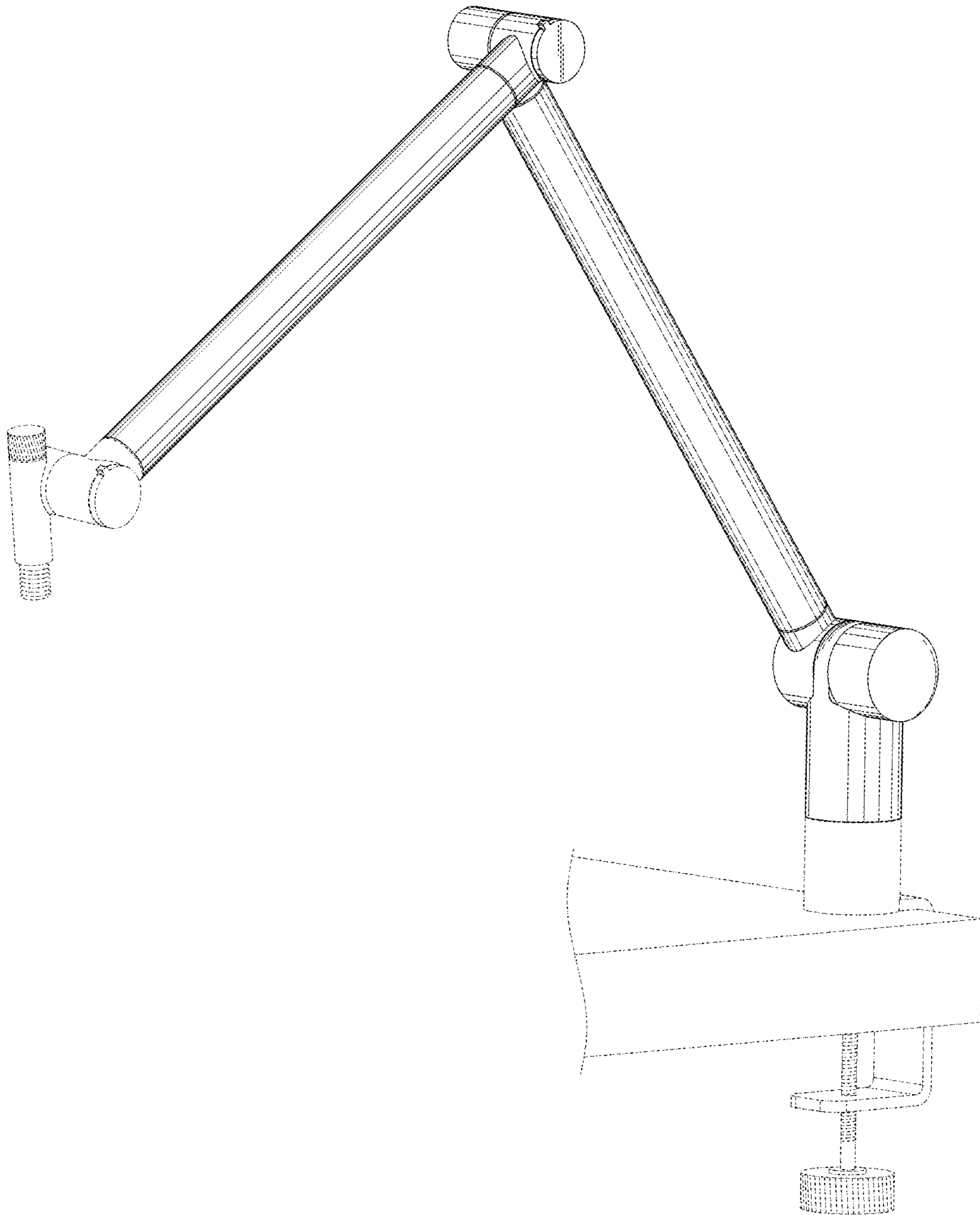


Fig. 9