



US00D980831S

(12) **United States Design Patent**
Chen

(10) **Patent No.:** **US D980,831 S**

(45) **Date of Patent:** **** Mar. 14, 2023**

(54) **MICROPHONE**

(71) Applicants: **Guangzhou Rantion Technology Co., Ltd.**, Guangzhou (CN); **Donner Technology LLC**, Charlotte, NC (US)

(72) Inventor: **Sheng Chen**, Guangzhou (CN)

(73) Assignees: **GUANGZHOU RANTION TECHNOLOGY CO., LTD.**, Guangzhou (CN); **DONNER TECHNOLOGY LLC**, Charlotte, NC (US)

(**) Term: **15 Years**

(21) Appl. No.: **29/802,594**

(22) Filed: **Aug. 6, 2021**

(51) **LOC (14) Cl.** **14-01**

(52) **U.S. Cl.**
USPC **D14/228**

(58) **Field of Classification Search**
USPC D14/228, 225-227, 229, 496, 497, 172, D14/217; D13/110; D21/483; 381/355, 381/356, 357, 174
CPC H04R 25/00; H04R 19/04; H04R 11/04; H04R 1/08; H04R 9/08; H04R 19/02; H04R 3/00; H04R 1/02; H04R 7/12
See application file for complete search history.

(56) **References Cited**

U.S. PATENT DOCUMENTS

2,920,140 A * 1/1960 Morgan H04R 19/04
381/113
3,007,012 A * 10/1961 Olson H04R 19/04
381/174
3,201,530 A * 8/1965 Levy H04R 1/08
381/91

4,340,787 A * 7/1982 Gorike H04R 9/047
381/179
4,344,184 A * 8/1982 Edwards H04B 1/04
343/702
4,628,525 A * 12/1986 Iwahara H04R 1/086
381/26

(Continued)

FOREIGN PATENT DOCUMENTS

CN 305326606 * 8/2019
CN 306992032 * 12/2021
CN 307169355 * 3/2022

Primary Examiner — Paula Allen Greene

(74) *Attorney, Agent, or Firm* — Eagle IP Limited

(57) **CLAIM**

An ornamental design for a microphone, as shown and described.

DESCRIPTION

FIG. 1 is a perspective view of a microphone showing my new design;

FIG. 2 is a front view of the microphone of FIG. 1 thereof, wherein 8 indicates a portion which is shown in an enlarged view in FIG. 8;

FIG. 3 is a rear view of the microphone of FIG. 1 thereof; FIG. 4 is a left side view of the microphone of FIG. 1 thereof;

FIG. 5 is a right side view of the microphone of FIG. 1 thereof;

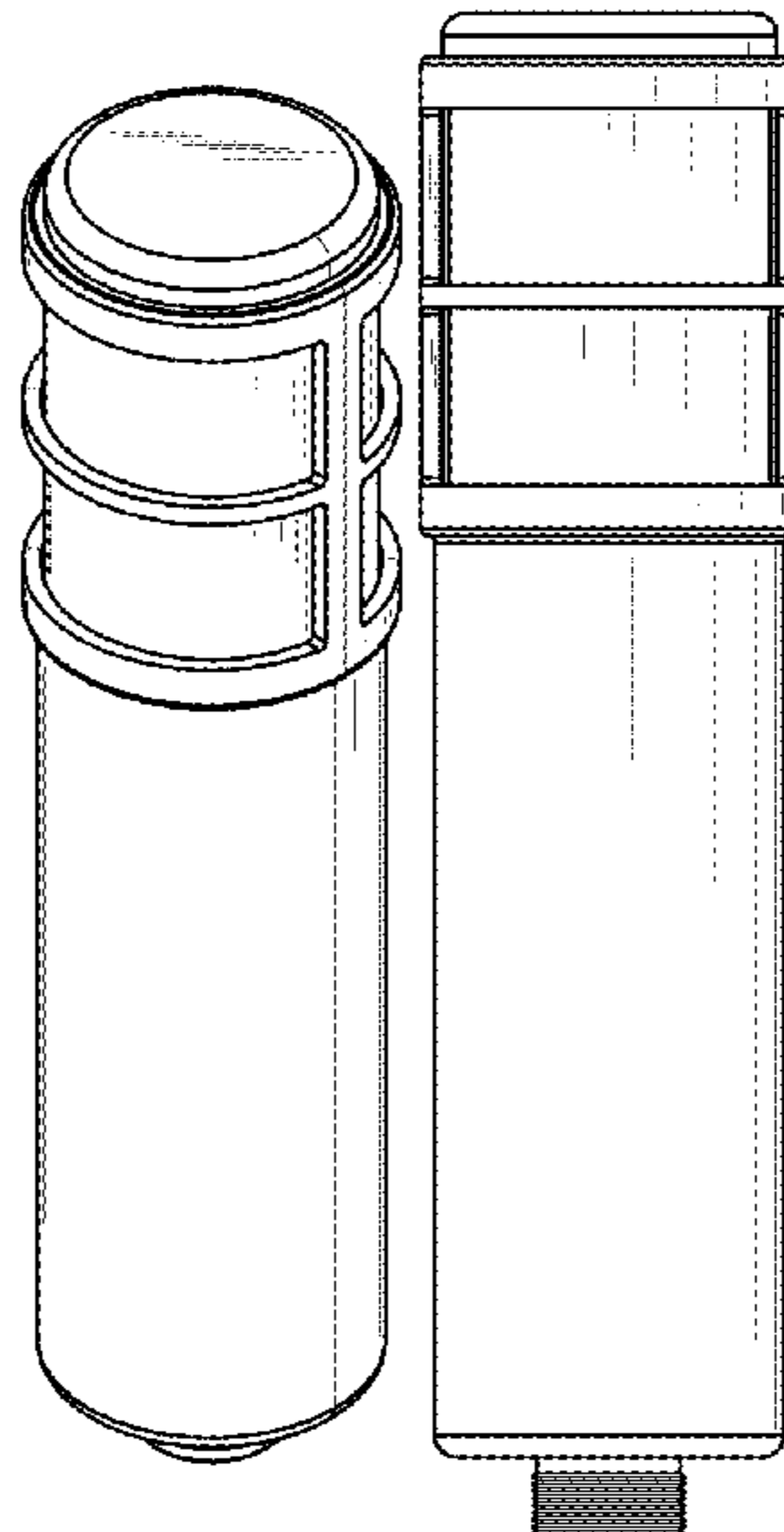
FIG. 6 is a top view of the microphone of FIG. 1 thereof; FIG. 7 is a bottom view of the microphone of FIG. 1 thereof;

and, FIG. 8 is a partial enlarged view of the microphone of FIG. 2 thereof.

The broken lines depict portions of the microphone that form no part of the claimed design.

The dashed broken lines surrounding portions of the microphone in FIG. 2 and illustrated in the enlarged view of FIG. 8 forms no part of the claimed design.

1 Claim, 4 Drawing Sheets



(56)

References Cited

U.S. PATENT DOCUMENTS

5,675,660 A * 10/1997 Townsend H04R 1/086
 381/189
 D397,119 S * 8/1998 Okon D14/228
 6,061,457 A * 5/2000 Stockhamer H04R 1/00
 367/188
 6,219,429 B1 * 4/2001 Chung H04R 1/08
 381/361
 D442,932 S * 5/2001 Koike D14/155
 D462,947 S * 9/2002 Kung D14/228
 D469,278 S * 1/2003 Lippert D17/99
 6,597,796 B2 * 7/2003 Chang H04R 9/08
 381/361
 D479,837 S * 9/2003 Sundquist D14/228
 D504,678 S * 5/2005 Ruhrig D14/228
 D531,171 S * 10/2006 Gustafson D14/228
 D533,578 S * 12/2006 Oka D16/244
 D594,856 S * 6/2009 Marshall D14/228
 D596,167 S * 7/2009 Fleischer D14/228
 D643,024 S * 8/2011 Goodman D14/227
 8,322,665 B2 * 12/2012 Palik F41A 23/14
 396/419
 D686,185 S * 7/2013 Nee D14/155
 D687,421 S * 8/2013 Slaton D14/229
 8,573,547 B2 * 11/2013 Hazzard A47C 7/004
 248/188.7
 D707,661 S * 6/2014 Okita D14/228
 D713,391 S * 9/2014 Ibuki D14/228
 D746,797 S * 1/2016 Chen D14/228
 D834,004 S * 11/2018 Chen D14/226
 D834,564 S * 11/2018 Chen D14/226
 D835,612 S * 12/2018 Tong D14/225
 D839,856 S * 2/2019 Chen D14/228

D842,278 S * 3/2019 Tong D14/227
 D848,404 S * 5/2019 Chen D14/227
 D849,721 S * 5/2019 Chen D14/227
 D850,423 S * 6/2019 Chen D14/227
 D851,073 S * 6/2019 Tong D14/227
 D864,922 S * 10/2019 Mai D14/227
 D890,141 S * 7/2020 Chen D14/228
 D890,732 S * 7/2020 Chen D14/227
 D895,583 S * 9/2020 Smith D14/227
 D898,771 S * 10/2020 You D14/497
 D917,430 S * 4/2021 Mai D14/228
 D917,432 S * 4/2021 Mai D14/227
 D919,604 S * 5/2021 Mai D14/227
 D931,839 S * 9/2021 Bryant D14/227
 2004/0005070 A1 * 1/2004 Kanda H04R 19/04
 381/174
 2005/0161561 A1 * 7/2005 Hsieh H04R 1/08
 248/171
 2006/0002576 A1 * 1/2006 Akino H04R 1/021
 381/361
 2008/0152174 A1 * 6/2008 Marshall H04R 19/04
 381/172
 2010/0208929 A1 * 8/2010 Heil H04R 11/04
 381/355
 2011/0271516 A1 * 11/2011 Slaton G10G 7/005
 403/328
 2012/0237072 A1 * 9/2012 Akino H04R 19/04
 381/356
 2013/0044131 A1 * 2/2013 Milad H04R 3/00
 345/633
 2014/0003628 A1 * 1/2014 Akino H04R 19/04
 381/104
 2017/0078787 A1 * 3/2017 Akino H04R 19/016
 2017/0149121 A1 * 5/2017 Zachara H01Q 1/27

* cited by examiner

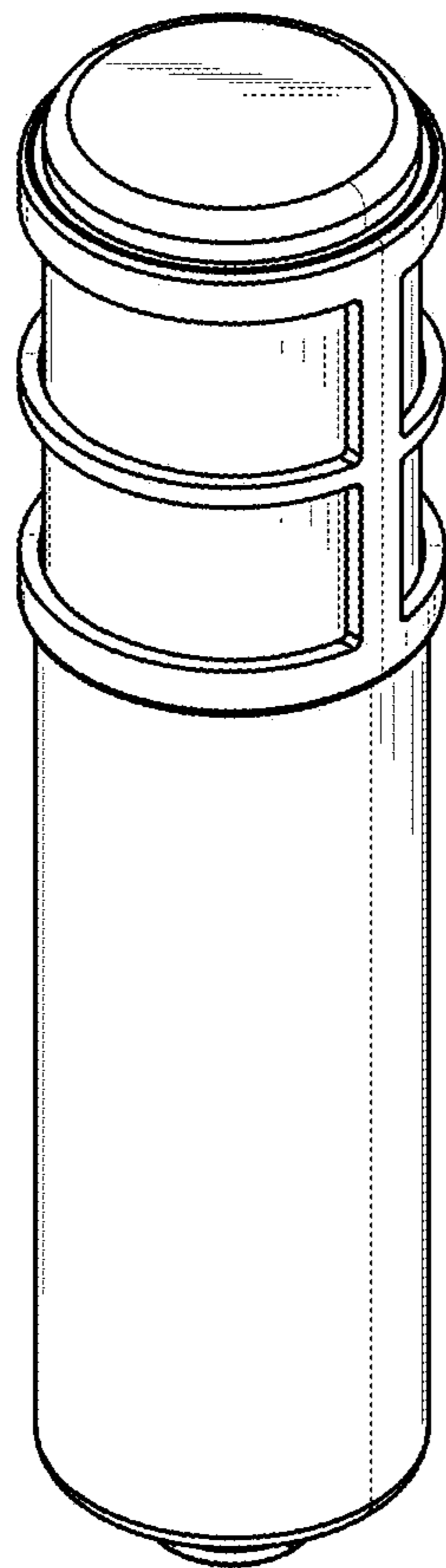


FIG. 1

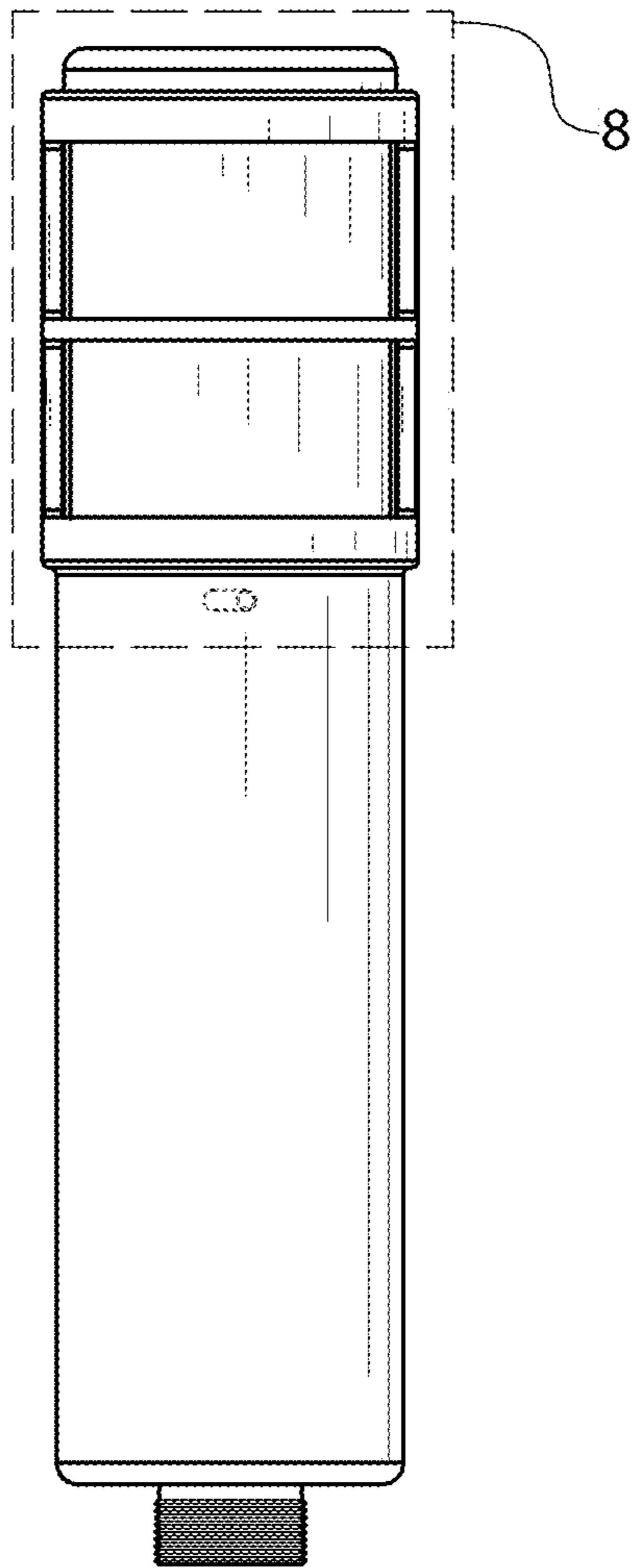


FIG. 2

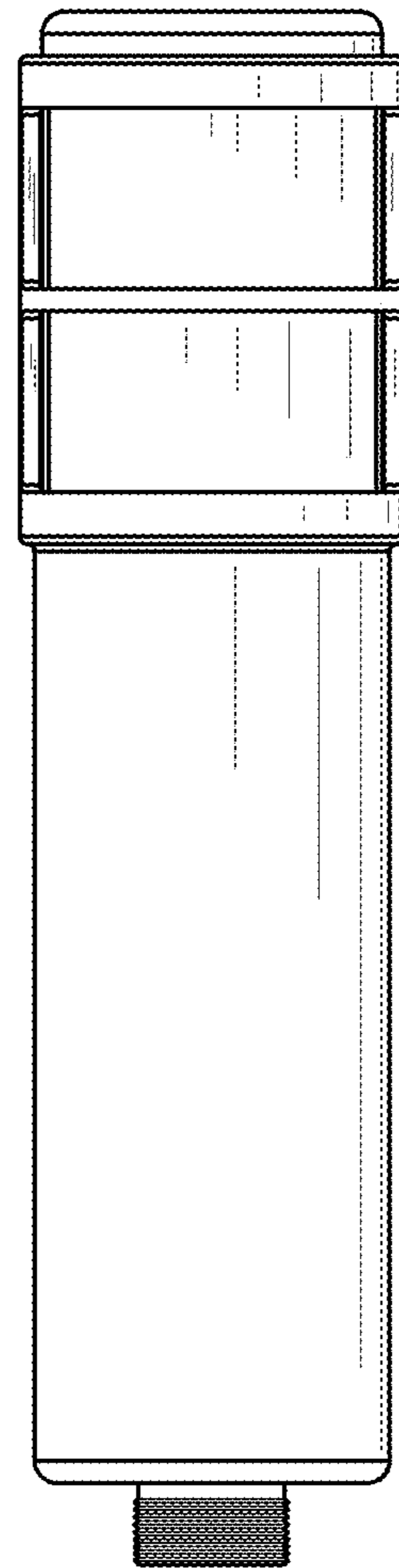


FIG. 3

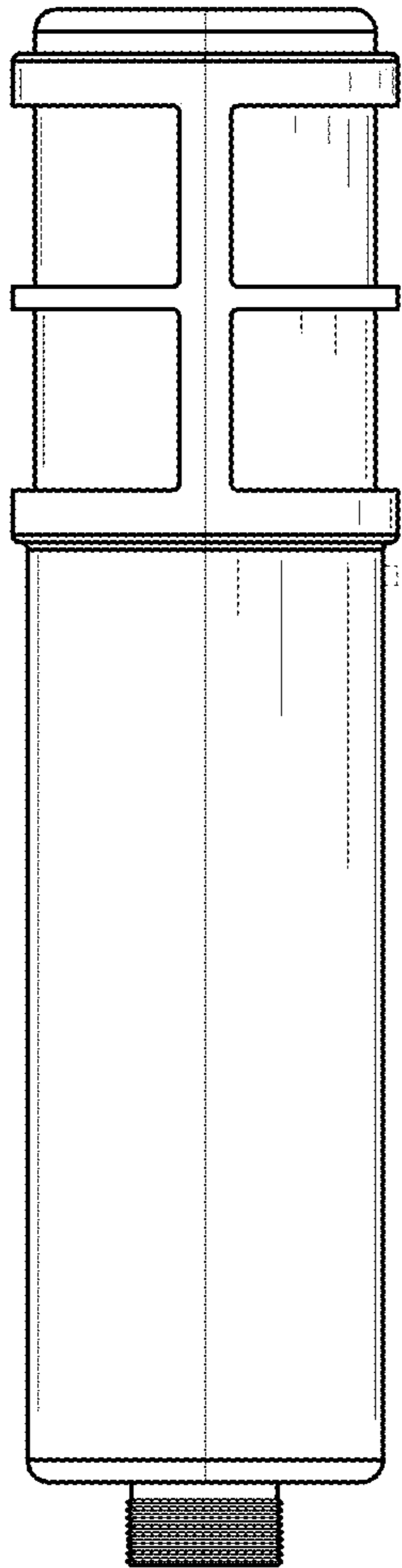


FIG. 4

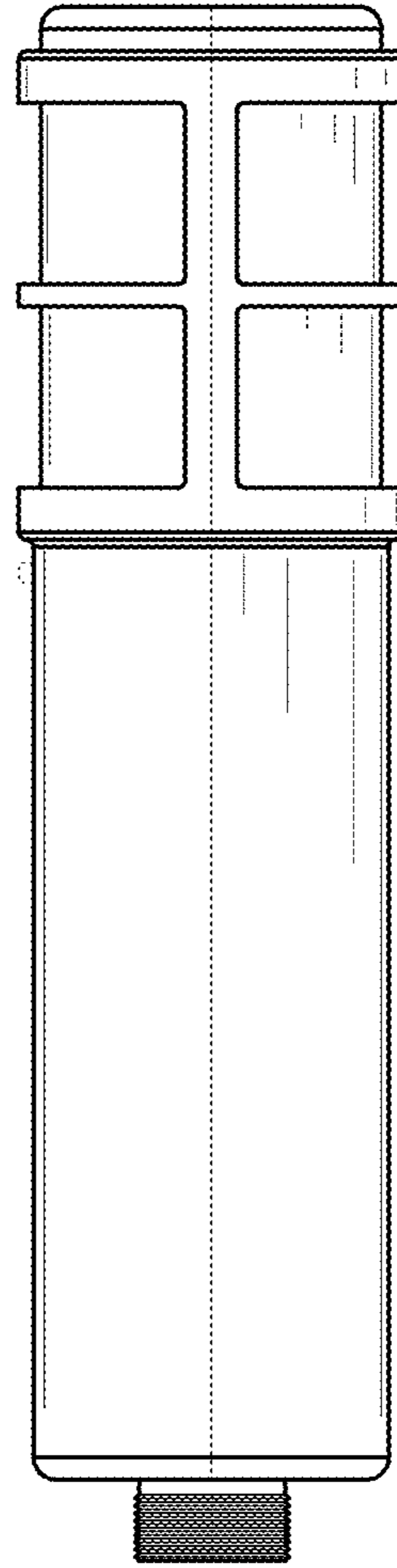


FIG. 5

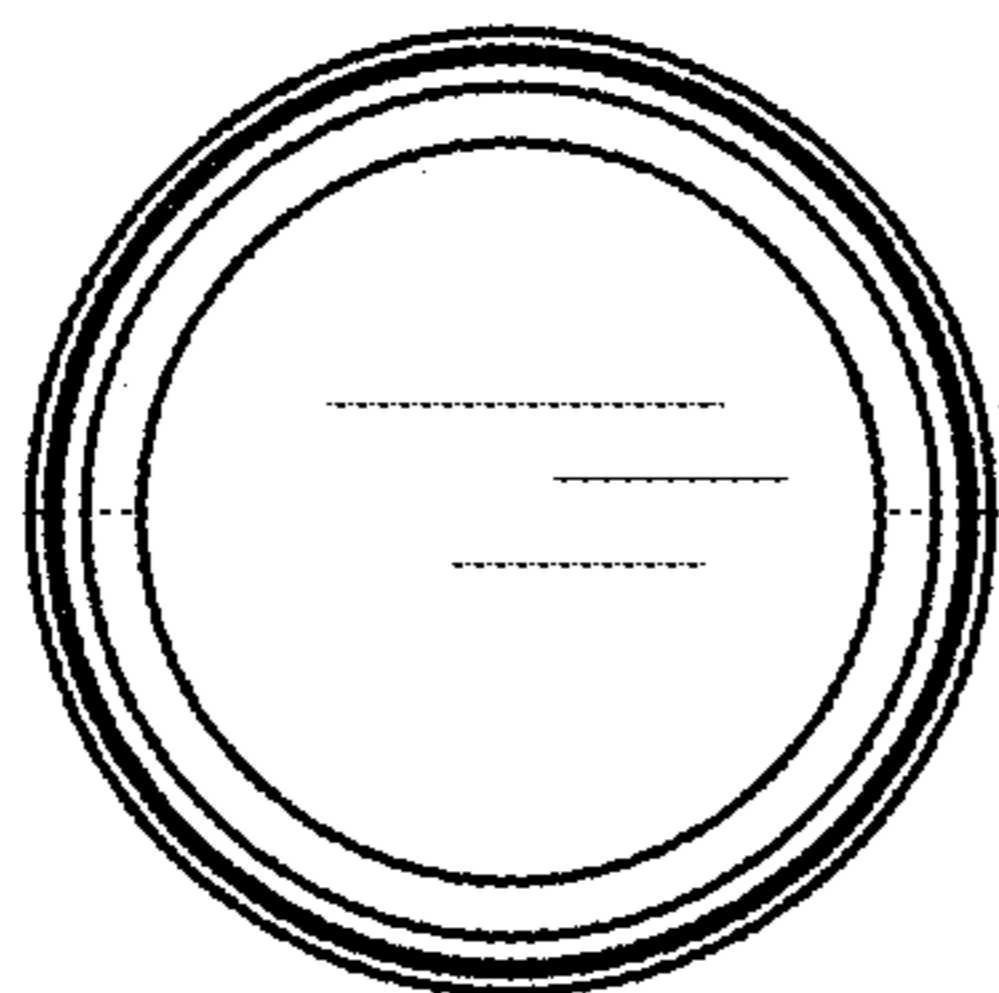


FIG. 6

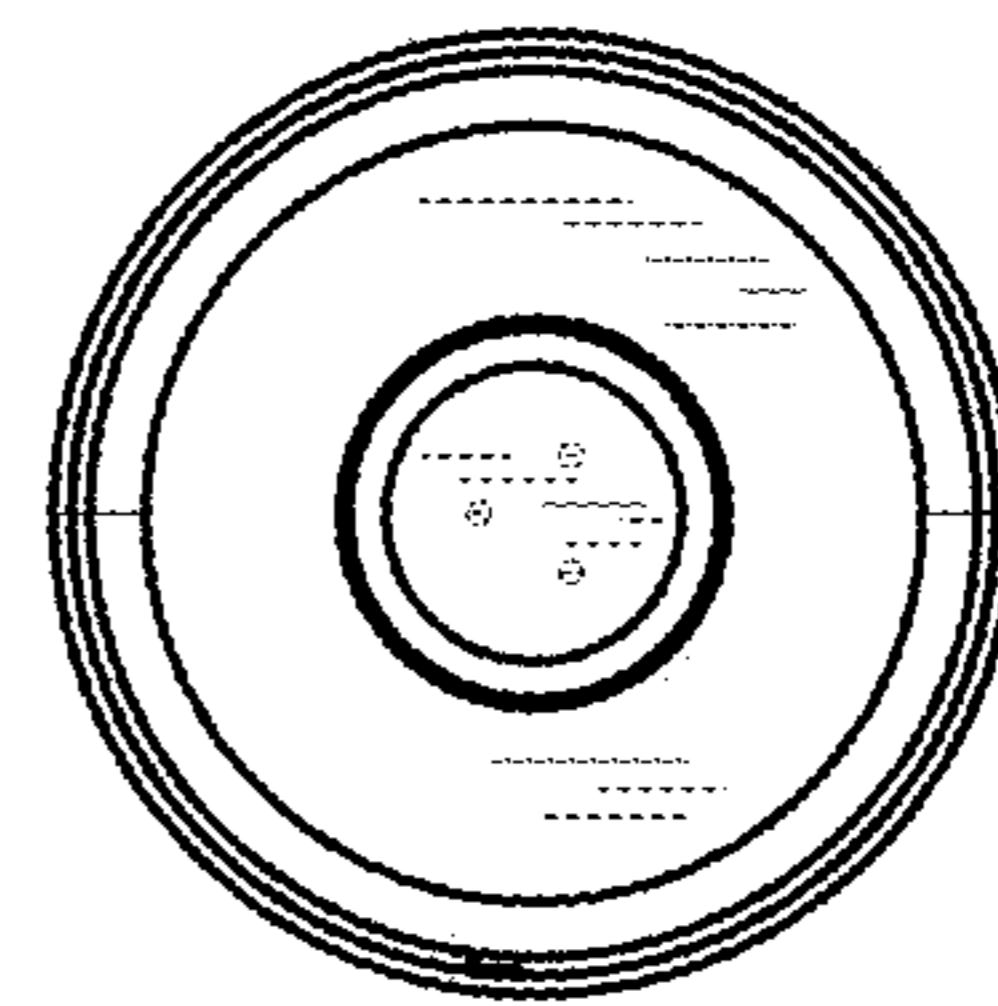


FIG. 7

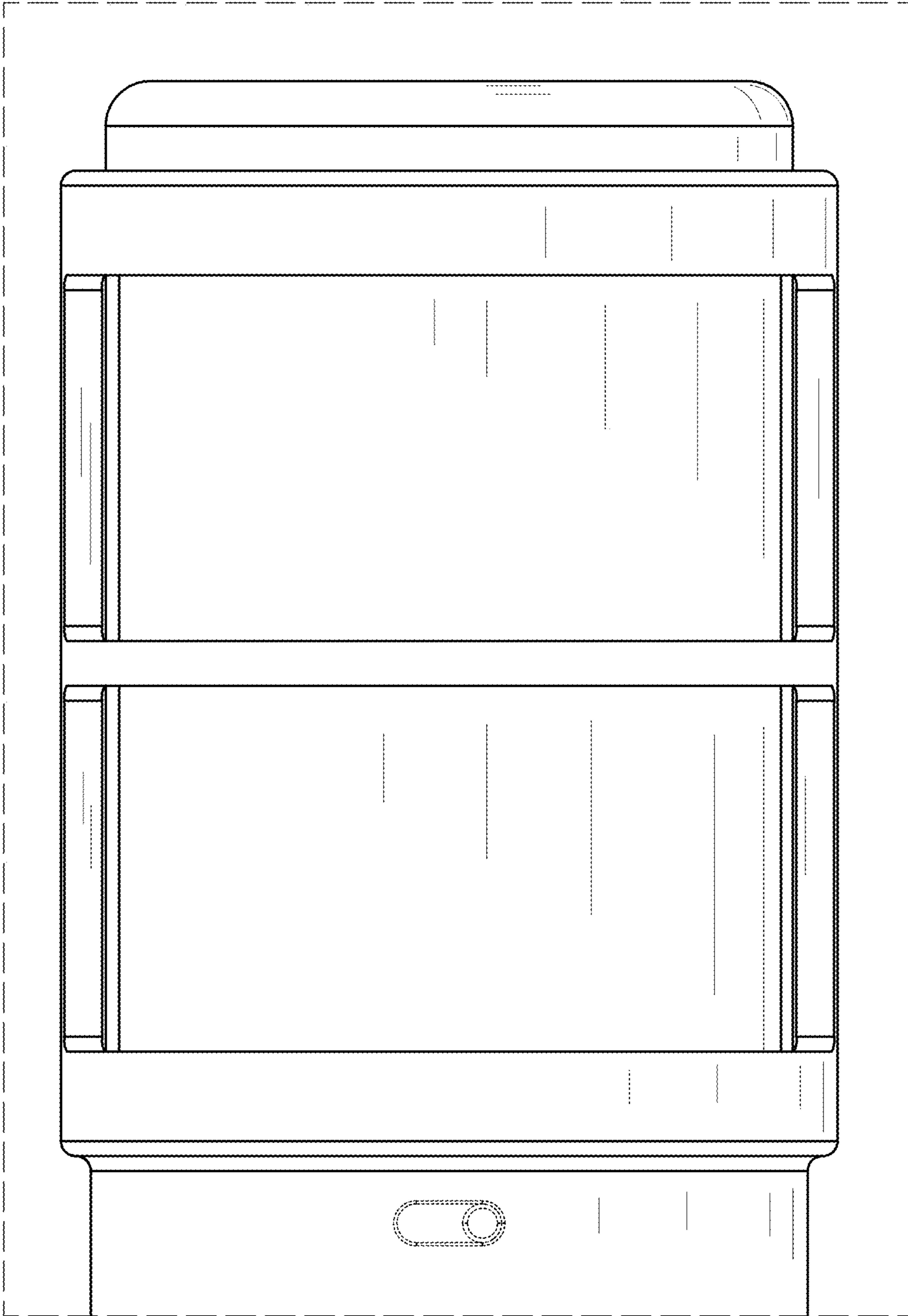


FIG. 8