



US00D980829S

(12) **United States Design Patent**
Chen

(10) **Patent No.:** **US D980,829 S**
(45) **Date of Patent:** **** Mar. 14, 2023**

(54) **MICROPHONE**
(71) Applicants: **Guangzhou Rantion Technology Co., Ltd.**, Guangzhou (CN); **Donner Technology LLC**, Charlotte, NC (US)
(72) Inventor: **Sheng Chen**, Guangzhou (CN)
(73) Assignees: **GUANGZHOU RANTION TECHNOLOGY CO., LTD.**, Guangzhou (CN); **DONNER TECHNOLOGY LLC**, Charlotte, NC (US)

D439,852 S * 4/2001 Hisatsune D10/104.1
D442,932 S * 5/2001 Koike D14/155
D447,131 S * 8/2001 Hough D14/228
D516,546 S * 3/2006 Sobol D14/228
D549,209 S * 8/2007 Bauman D14/155
D582,843 S * 12/2008 Linardos D13/103
D594,855 S * 6/2009 Metlen D14/225
D594,856 S * 6/2009 Marshall D14/228
D599,786 S * 9/2009 Metlen D14/225

(Continued)

FOREIGN PATENT DOCUMENTS

CN 306140868 * 10/2020
CN 306308574 * 2/2021

(Continued)

Primary Examiner — Paula Allen Greene

(74) *Attorney, Agent, or Firm* — Eagle IP Limited

(**) **Term:** **15 Years**

(21) **Appl. No.:** **29/802,592**

(22) **Filed:** **Aug. 6, 2021**

(51) **LOC (14) Cl.** **14-01**

(52) **U.S. Cl.**
USPC **D14/228**

(58) **Field of Classification Search**
USPC D14/228, 225–227, 229, 496, 497, 217;
D13/110; D21/483; 381/355, 356, 357,
381/174
CPC H04R 25/00; H04R 19/04; H04R 11/04;
H04R 1/08; H04R 9/08; H04R 19/02;
H04R 3/00; H04R 1/02; H04R 7/12

See application file for complete search history.

(56) **References Cited**

U.S. PATENT DOCUMENTS

3,007,012 A * 10/1961 Olson H04R 19/04
381/174
D220,108 S * 3/1971 van de Poel D14/228
4,340,787 A * 7/1982 Gorike H04R 9/047
381/179
4,628,525 A * 12/1986 Iwahara H04R 1/086
381/26
D400,540 S * 11/1998 Cruver, IV D14/228

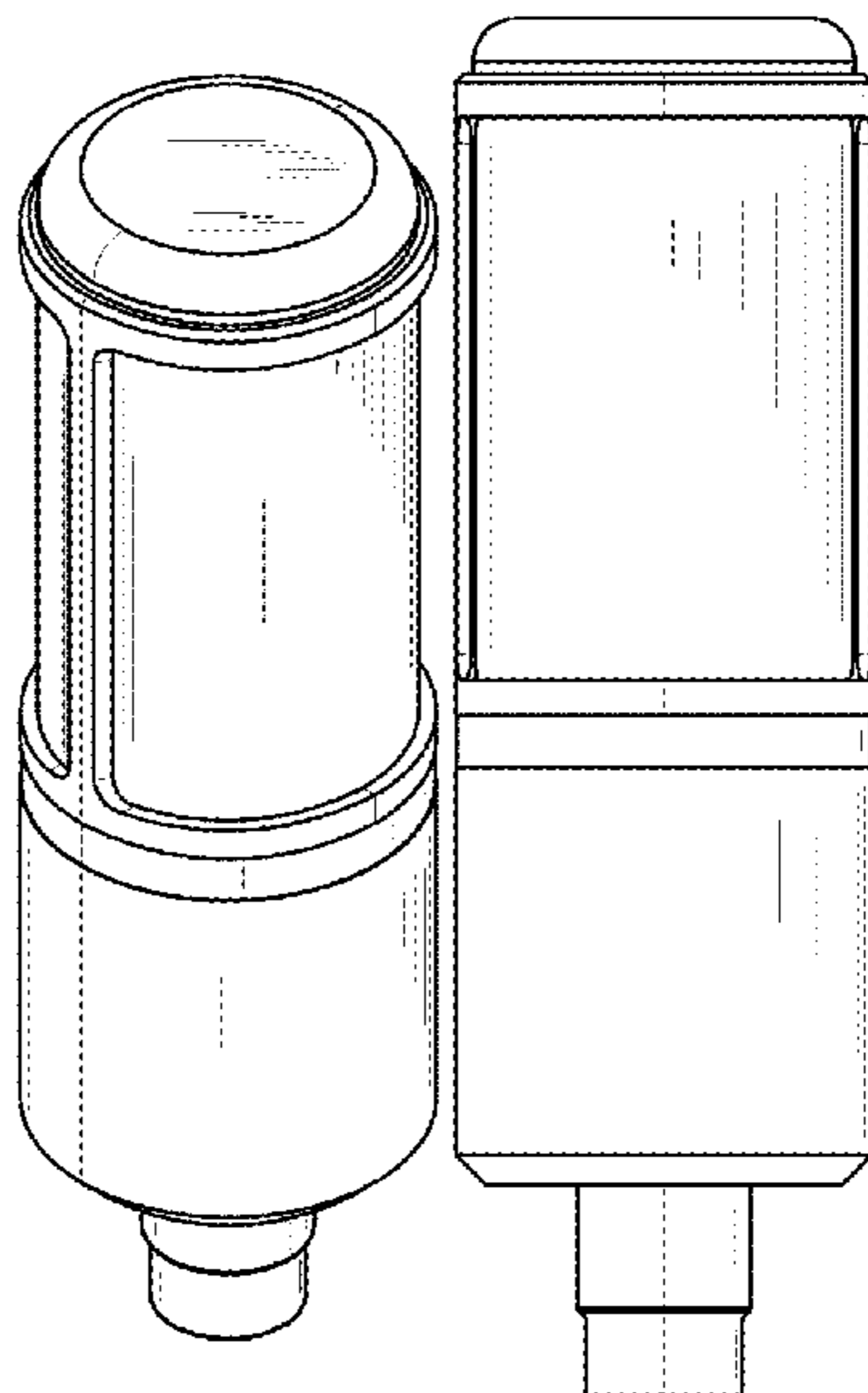
(57) **CLAIM**

An ornamental design for a microphone, as shown and described.

DESCRIPTION

FIG. 1 is a perspective view of a microphone showing my new design;
FIG. 2 is a front view of the microphone of FIG. 1 thereof;
FIG. 3 is a rear view of the microphone of FIG. 1 thereof;
FIG. 4 is a left side view of the microphone of FIG. 1 thereof;
FIG. 5 is a right side view of the microphone of FIG. 1 thereof;
FIG. 6 is a top view of the microphone of FIG. 1 thereof;
and,
FIG. 7 is a bottom view of the microphone of FIG. 1 thereof.
The broken lines depict portions of the microphone that form no part of the claimed design.

1 Claim, 3 Drawing Sheets



(56)

References Cited

U.S. PATENT DOCUMENTS

D603,849 S * 11/2009 Durrett D14/228
 D604,274 S * 11/2009 Durrett D14/228
 7,889,882 B2 * 2/2011 Marshall H04R 19/04
 381/174
 D686,185 S * 7/2013 Nee D14/155
 D729,194 S * 5/2015 Boeckel D14/205
 D761,761 S * 7/2016 Ando D14/205
 D774,494 S * 12/2016 Sunwoo D14/227
 D835,612 S * 12/2018 Tong D14/225
 D850,423 S * 6/2019 Chen D14/227
 D851,073 S * 6/2019 Tong D14/227
 D859,370 S * 9/2019 Slaton D14/225
 D864,922 S * 10/2019 Mai D14/227
 D890,123 S * 7/2020 Yoshimura D14/205
 D892,079 S * 8/2020 Wu D14/205
 D893,450 S * 8/2020 Matsubara D14/205
 D893,451 S * 8/2020 Nagamine D14/205
 D894,151 S * 8/2020 Nagamine D14/205
 D895,583 S * 9/2020 Smith D14/227
 D901,436 S * 11/2020 Peng D14/205
 D904,339 S * 12/2020 Wang D14/205
 D908,663 S * 1/2021 Tamamura D14/205
 D909,964 S * 2/2021 Sun D13/103
 D917,429 S * 4/2021 Xiang D14/228
 D917,430 S * 4/2021 Mai D14/228
 D917,432 S * 4/2021 Mai D14/227
 D917,433 S * 4/2021 Wang D14/228
 D918,171 S * 5/2021 Nakayama D14/205
 D918,184 S * 5/2021 Xiang D14/228
 D918,186 S * 5/2021 Mai D14/227
 D919,603 S * 5/2021 Xia D14/223
 D923,600 S * 6/2021 Shibukawa D14/205
 D925,505 S * 7/2021 Wang D14/228
 D925,506 S * 7/2021 Wang D14/228

D926,734 S * 8/2021 Balac D14/225
 D929,973 S * 9/2021 Mai D14/227
 D938,934 S * 12/2021 Tsubone D14/205
 D942,973 S * 2/2022 Lu D14/227
 D946,556 S * 3/2022 Mai D14/228
 D960,874 S * 8/2022 Davies D14/228
 D971,894 S * 12/2022 Chen D14/225
 2004/0005070 A1 * 1/2004 Kanda H04R 19/04
 381/174
 2006/0002576 A1 * 1/2006 Akino H04R 1/021
 381/361
 2008/0152174 A1 * 6/2008 Marshall H04R 19/04
 381/172
 2010/0208929 A1 * 8/2010 Heil H04R 11/04
 381/355
 2017/0085975 A1 * 3/2017 Nagata H04R 1/1041
 2017/0149121 A1 * 5/2017 Zachara H01Q 1/27
 2017/0171670 A1 * 6/2017 Akino H04R 1/04
 2019/0116411 A1 * 4/2019 Duckwall H04R 1/1008
 2019/0394554 A1 * 12/2019 Lee H01M 10/0436
 2020/0213703 A1 * 7/2020 Yoneyama H04R 1/1008
 2020/0288234 A1 * 9/2020 Fletcher H04R 1/1066

FOREIGN PATENT DOCUMENTS

CN 306308575 * 2/2021
 CN 306670675 * 7/2021
 CN 306730441 * 8/2021
 CN 306978926 * 12/2021
 CN 306992033 * 12/2021
 CN 307094683 * 2/2022
 CN 307266080 * 4/2022
 CN 307348479 * 5/2022
 CN 307390439 * 6/2022
 JP D1717196 * 6/2022
 JP D1725877 * 9/2022

* cited by examiner

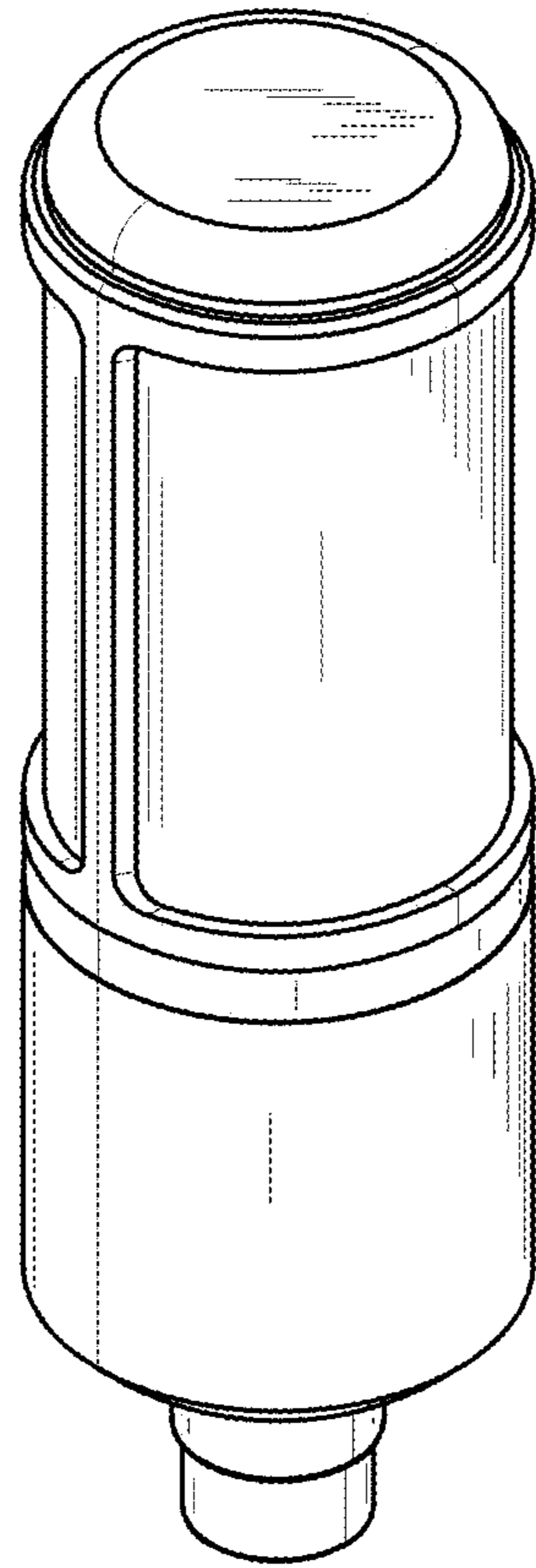


FIG. 1

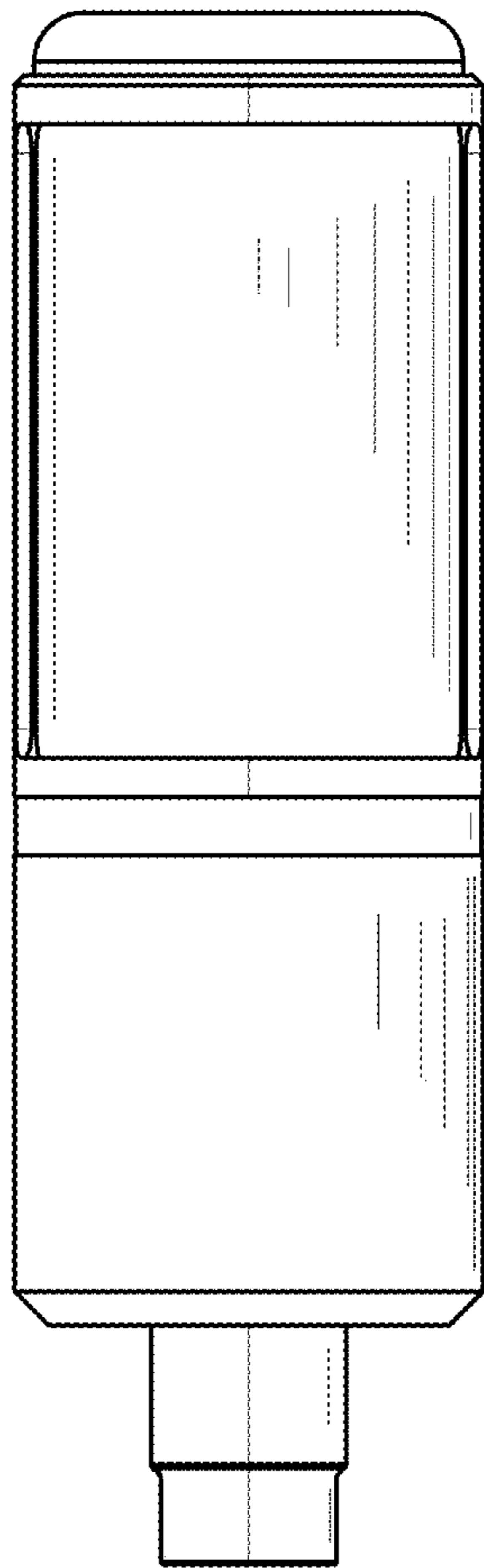


FIG. 2

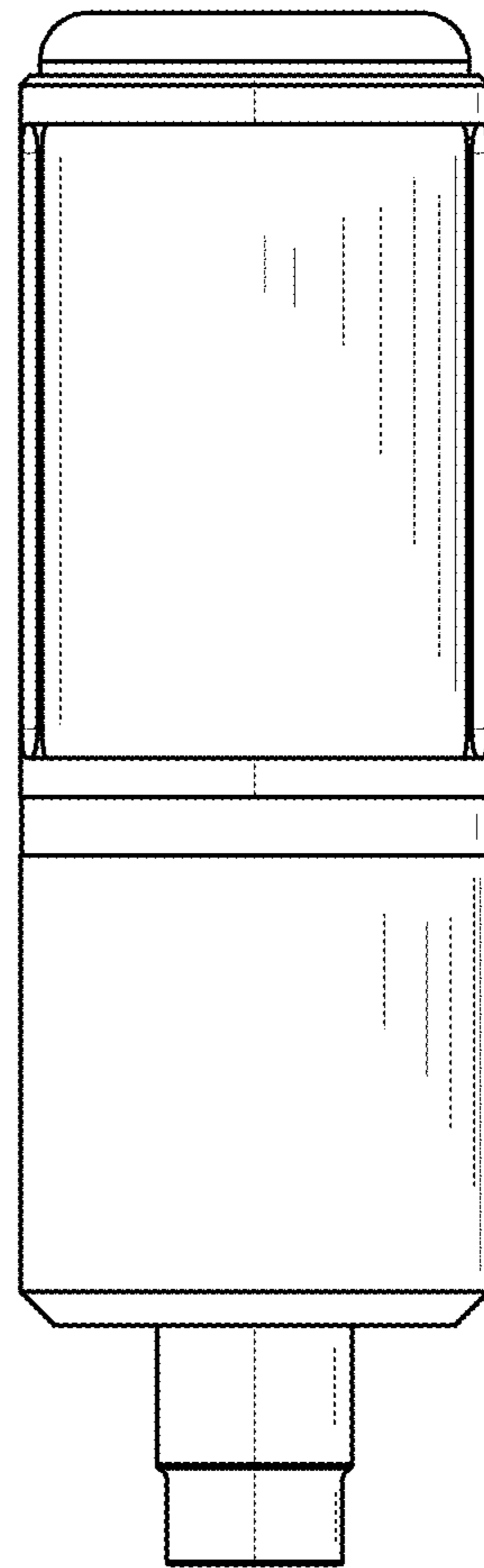


FIG. 3

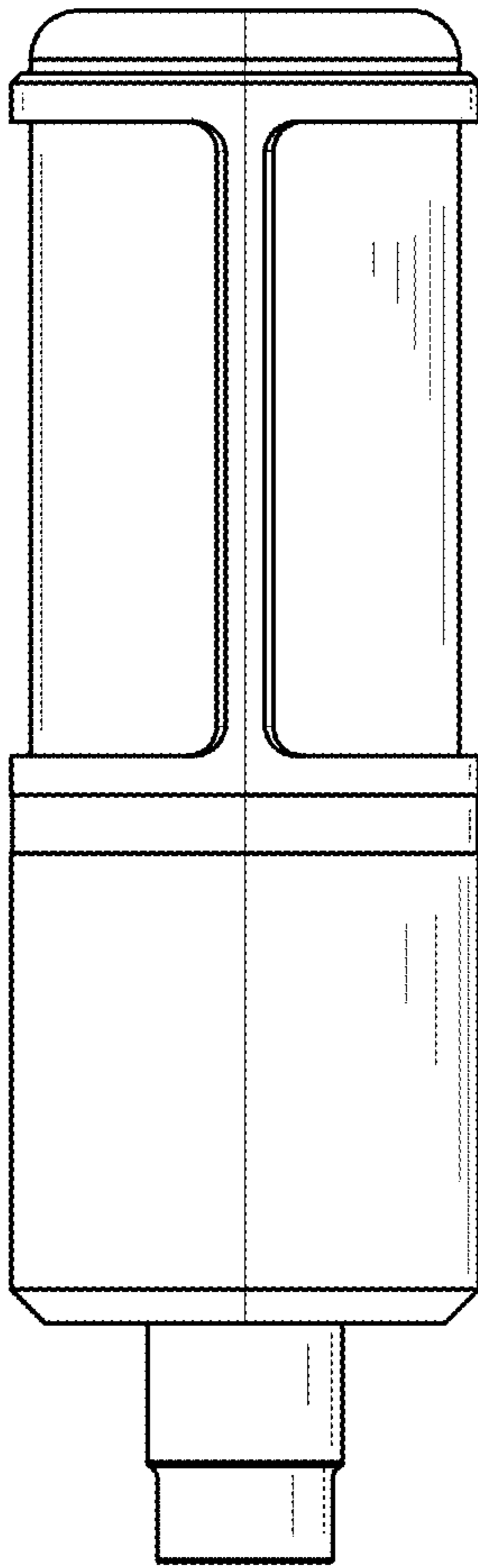


FIG. 4

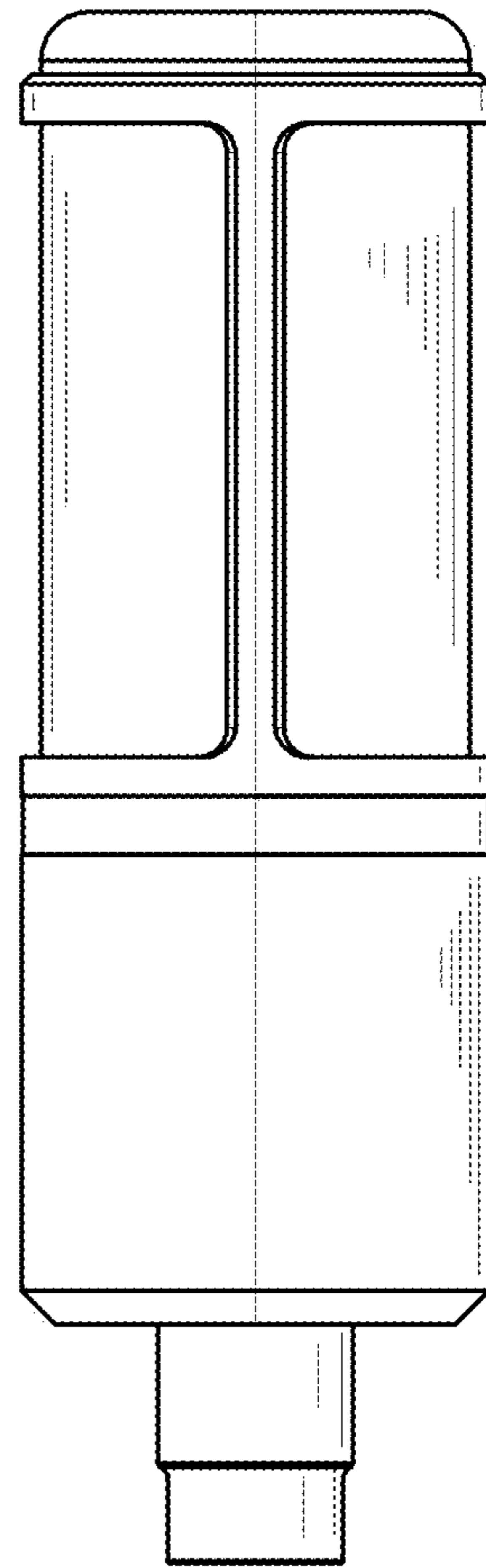


FIG. 5

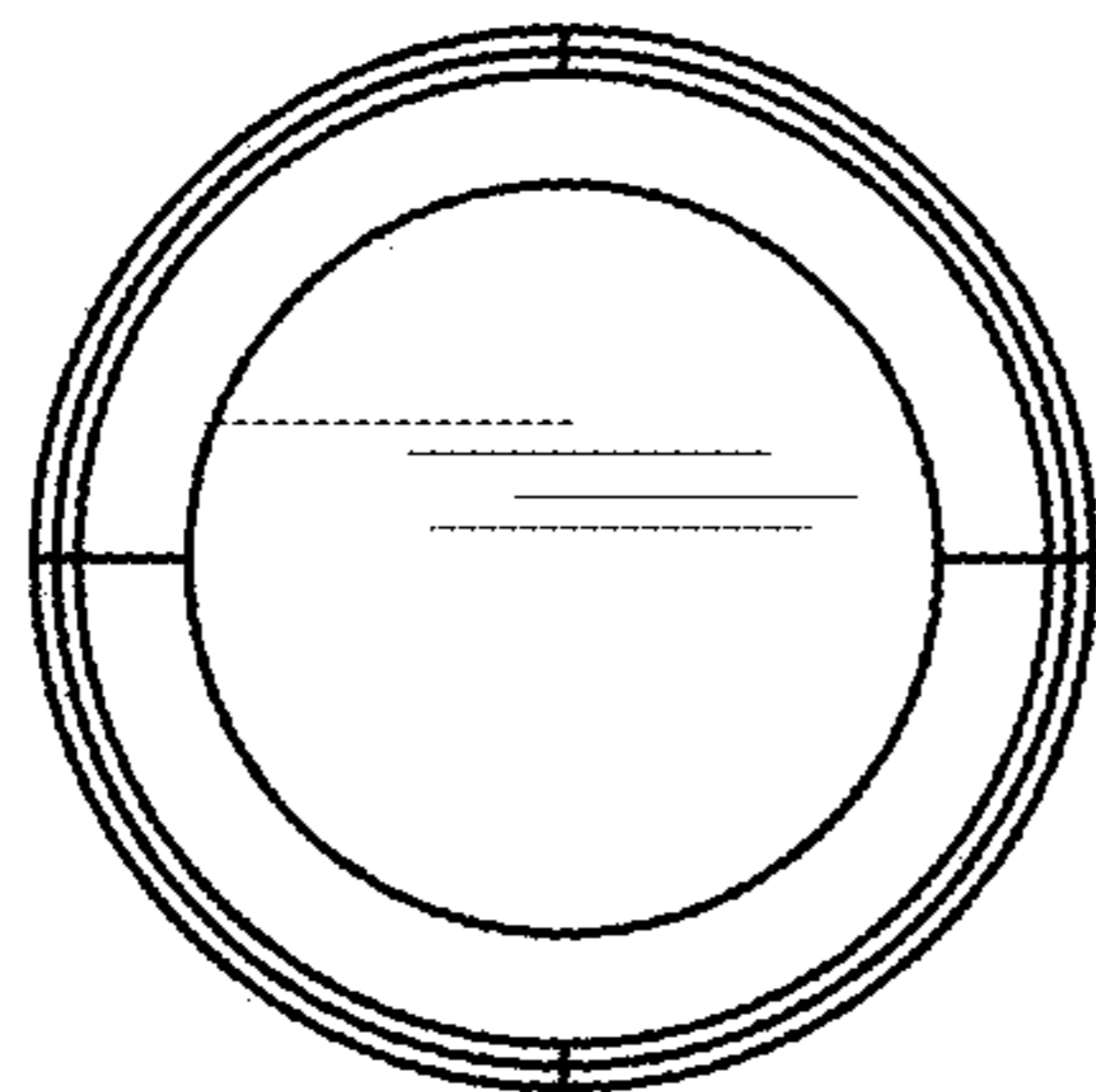


FIG. 6

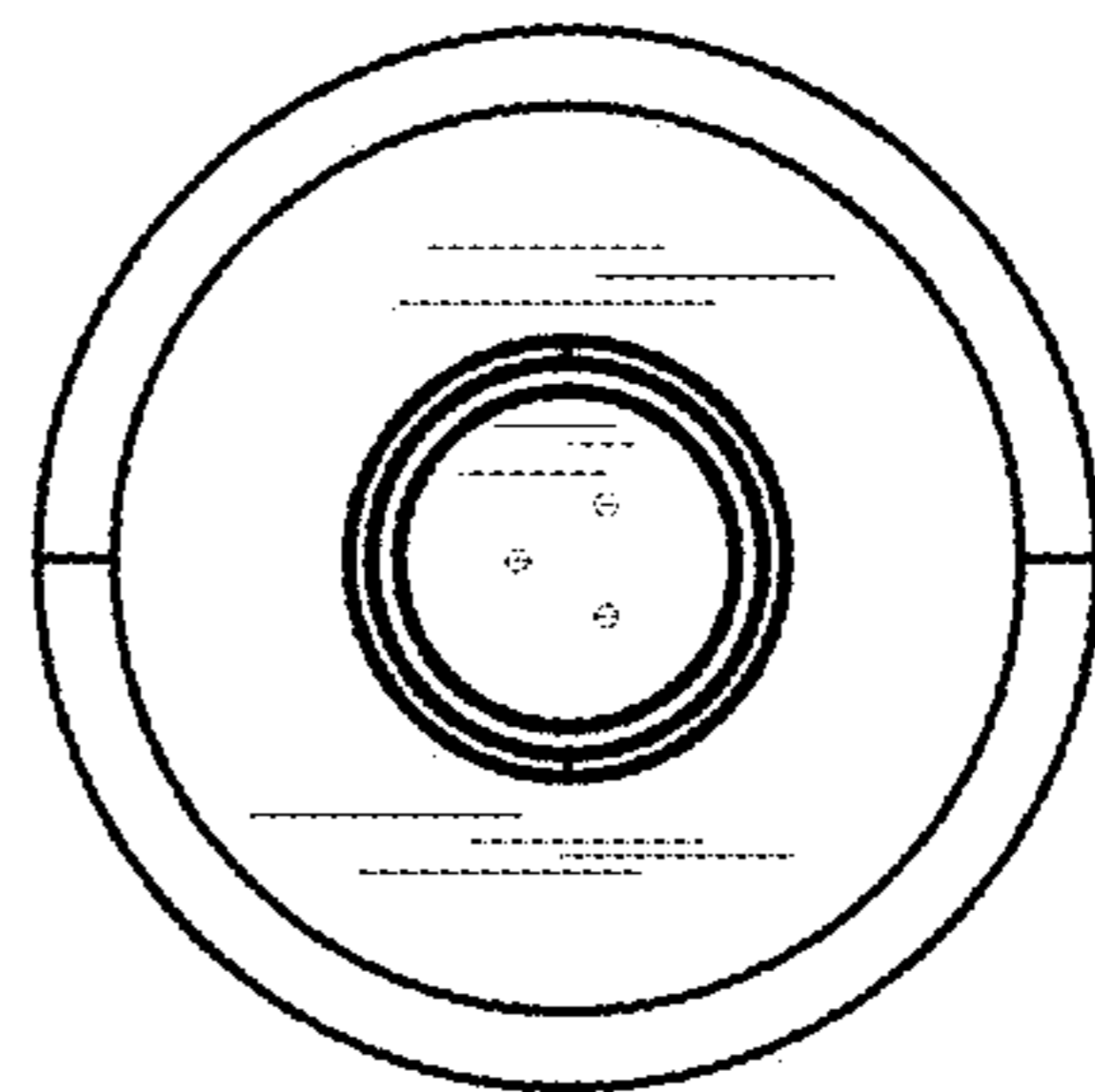


FIG. 7