



US00D980828S

(12) **United States Design Patent**
Su

(10) **Patent No.:** **US D980,828 S**

(45) **Date of Patent:** **** Mar. 14, 2023**

(54) **MICROPHONE SPEAKER**

(71) Applicant: **Kuo Su**, Anhui (CN)

(72) Inventor: **Kuo Su**, Anhui (CN)

(**) Term: **15 Years**

(21) Appl. No.: **29/775,728**

(22) Filed: **Mar. 25, 2021**

(51) **LOC (14) Cl.** **14-01**

(52) **U.S. Cl.**
USPC **D14/226; D14/228**

(58) **Field of Classification Search**
USPC D14/226, 225, 228, 227, 218, 497;
D21/483, 513; 434/307 A; D17/99;
84/610; 446/416; 381/361, 111, 122, 61
CPC . H04R 25/00; H04R 1/08; H04R 1/02; H04R
7/127; H04R 19/005; G10H 1/361; G10H
7/00; G10H 1/365; G10H 1/36
See application file for complete search history.

(56) **References Cited**

U.S. PATENT DOCUMENTS

- 3,718,862 A * 2/1973 Norris H04R 1/08
455/117
- D247,705 S * 4/1978 Armstrong D14/228
- D247,706 S * 4/1978 Armstrong D14/228
- D277,852 S * 3/1985 Watson D14/228
- D282,063 S * 1/1986 Watson D14/228
- D295,759 S * 5/1988 Kolich D17/10
- D296,435 S * 6/1988 Kubota D14/228
- D310,368 S * 9/1990 Derhaag D14/228
- D317,472 S * 6/1991 Sasaki D14/225
- D357,016 S * 4/1995 Li D14/227
- D376,803 S * 12/1996 Lee D14/497
- 5,598,162 A * 1/1997 Terashima H04N 7/17318
348/E7.071
- 6,025,553 A * 2/2000 Lee G10H 1/365
84/645

- D449,041 S * 10/2001 Koike D14/228
- D462,343 S * 9/2002 Wang D14/228
- D462,947 S * 9/2002 Kung D14/228
- D475,699 S * 6/2003 Thornton D14/228
- D478,068 S * 8/2003 Sundquist D14/228
- D479,836 S * 9/2003 Thornton D14/228
- 6,702,584 B2 * 3/2004 Ueshima H04R 3/00
84/610
- D495,319 S * 8/2004 Lee D14/497
- D498,232 S * 11/2004 Ruhrig D14/228
- D500,031 S * 12/2004 Hong D14/228
- D507,262 S * 7/2005 Liu D14/228
- D512,994 S * 12/2005 Lee D14/497
- D519,499 S * 4/2006 Lee D14/497
- D530,705 S * 10/2006 Shen D14/225
- D538,272 S * 3/2007 Lee D14/228
- D549,209 S * 8/2007 Bauman D14/155

(Continued)

FOREIGN PATENT DOCUMENTS

- CN 304747123 * 7/2018
- CN 307600347 * 10/2022

(Continued)

Primary Examiner — Paula Allen Greene

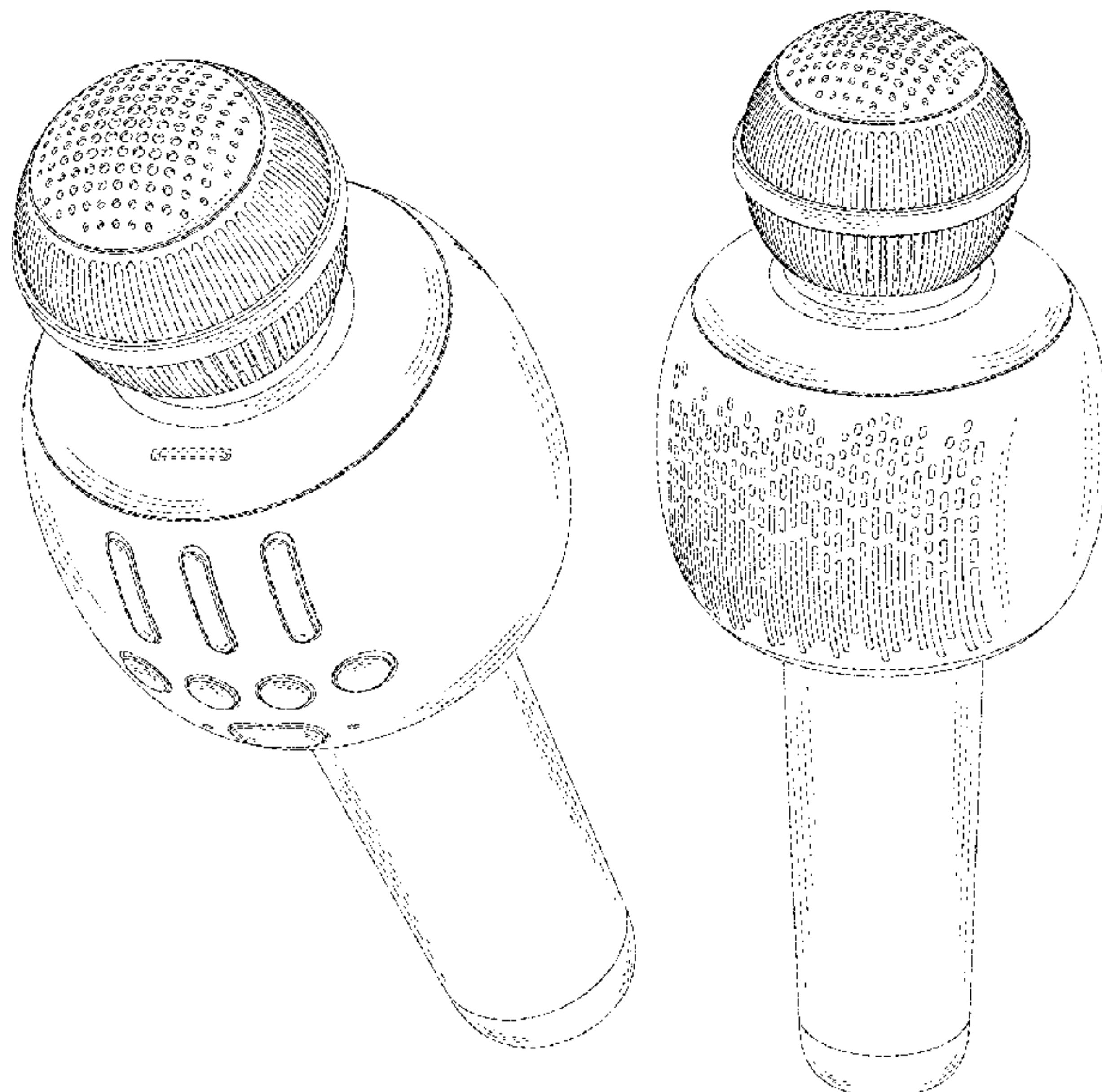
(57) **CLAIM**

The ornamental design for a microphone speaker, as shown and described.

DESCRIPTION

FIG. 1 is a front and top perspective view of a microphone speaker showing my new design;
FIG. 2 is a rear perspective view thereof;
FIG. 3 is a front elevation view thereof;
FIG. 4 is a rear elevation view thereof;
FIG. 5 is a left side elevation view thereof;
FIG. 6 is a right side elevation view thereof;
FIG. 7 is a top plan view thereof; and,
FIG. 8 is a bottom plan view thereof.

1 Claim, 8 Drawing Sheets



(56)

References Cited

U.S. PATENT DOCUMENTS

D557,691 S * 12/2007 Lee D14/228
 D579,445 S * 10/2008 Lee D14/228
 D582,428 S * 12/2008 Lee D14/496
 D587,250 S * 2/2009 Cai D14/227
 D589,032 S * 3/2009 Lee D14/228
 D598,011 S * 8/2009 Thusbass D14/225
 D607,441 S * 1/2010 Yamakawa D14/225
 D612,367 S * 3/2010 Lee D14/497
 D615,529 S * 5/2010 Kearns D14/207
 D619,619 S * 7/2010 Lee D14/497
 D620,954 S * 8/2010 Lee D14/497
 D655,696 S * 3/2012 Lee D14/228
 8,406,446 B2 * 3/2013 Akino H04R 1/2876
 381/361
 D694,221 S * 11/2013 Shears D14/225
 8,664,501 B2 * 3/2014 Miele G10G 7/02
 84/723
 8,965,026 B2 * 2/2015 Kamin-Lyndgaard
 H04N 5/772
 381/364
 D734,740 S * 7/2015 Erbeus D14/214
 D740,792 S * 10/2015 Jobetto D14/225
 D791,742 S * 7/2017 Lai D14/225
 D807,327 S * 1/2018 Xiong D14/215
 D813,208 S * 3/2018 Nie D14/226

D836,615 S * 12/2018 Su D14/226
 D868,042 S * 11/2019 Yang D14/226
 D883,961 S * 5/2020 Dai D14/226
 D898,771 S * 10/2020 You D14/497
 D953,307 S * 5/2022 Qin D14/228
 D956,723 S * 7/2022 Chen D14/228
 2006/0228683 A1 * 10/2006 Jianping G10H 1/368
 434/307 A
 2007/0292831 A1 * 12/2007 Lee G10H 1/368
 434/307 A
 2008/0282871 A1 * 11/2008 Chen G10H 1/363
 84/610
 2015/0098602 A1 * 4/2015 Levinsohn H04R 1/083
 381/361
 2017/0316767 A1 * 11/2017 You H04N 21/42203
 2018/0332387 A1 * 11/2018 You H04B 1/08
 2019/0069060 A1 * 2/2019 Su H04R 1/08
 2021/0364160 A1 * 11/2021 Xia F21V 33/0056
 2022/0312096 A1 * 9/2022 Zhu H04R 1/08

FOREIGN PATENT DOCUMENTS

EM 008319974-0001 * 12/2020
 EM 008470280-0001 * 3/2021
 GB 9008317812-0003 * 12/2020
 JP D1681759 * 3/2021

* cited by examiner

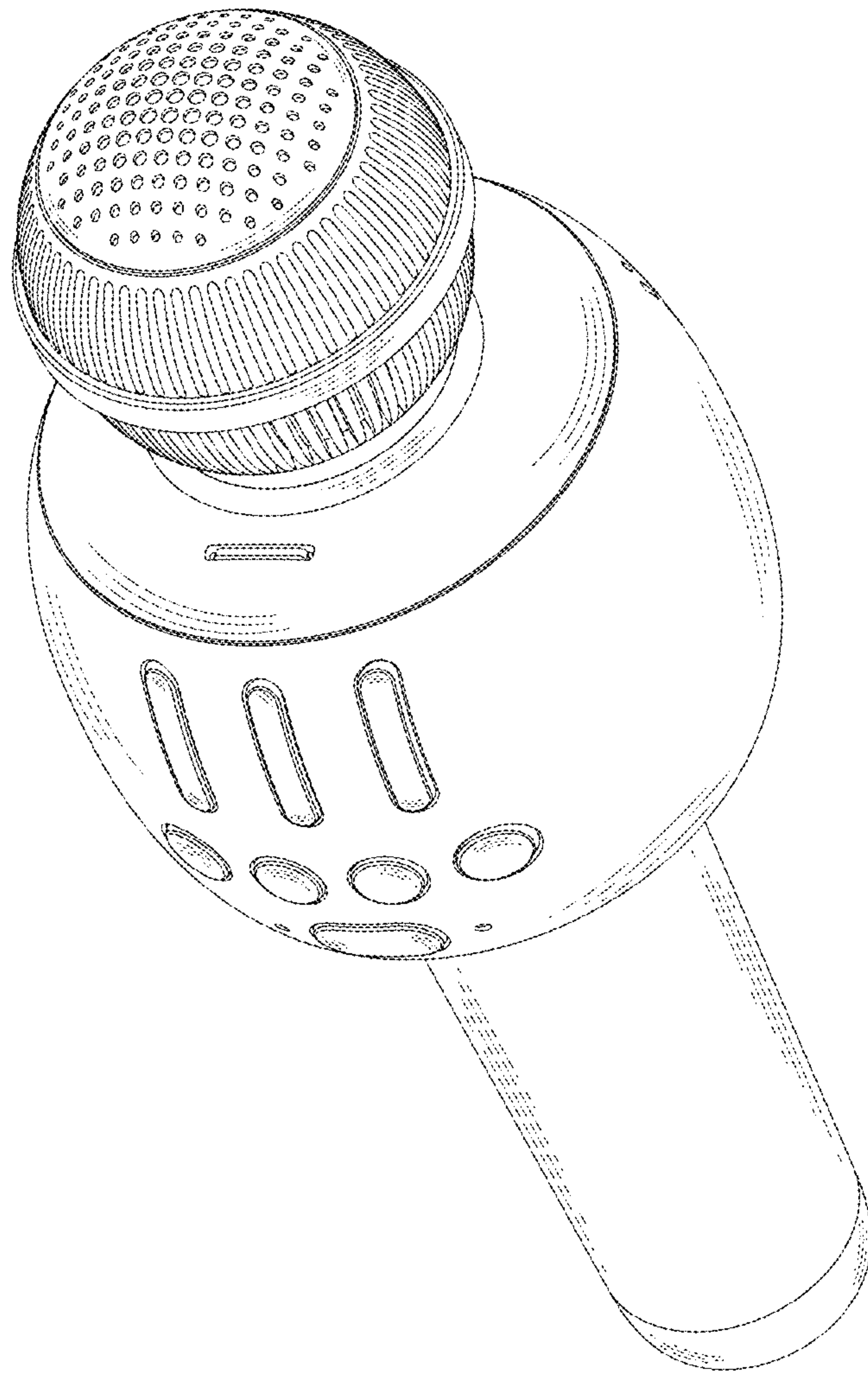


FIG.1

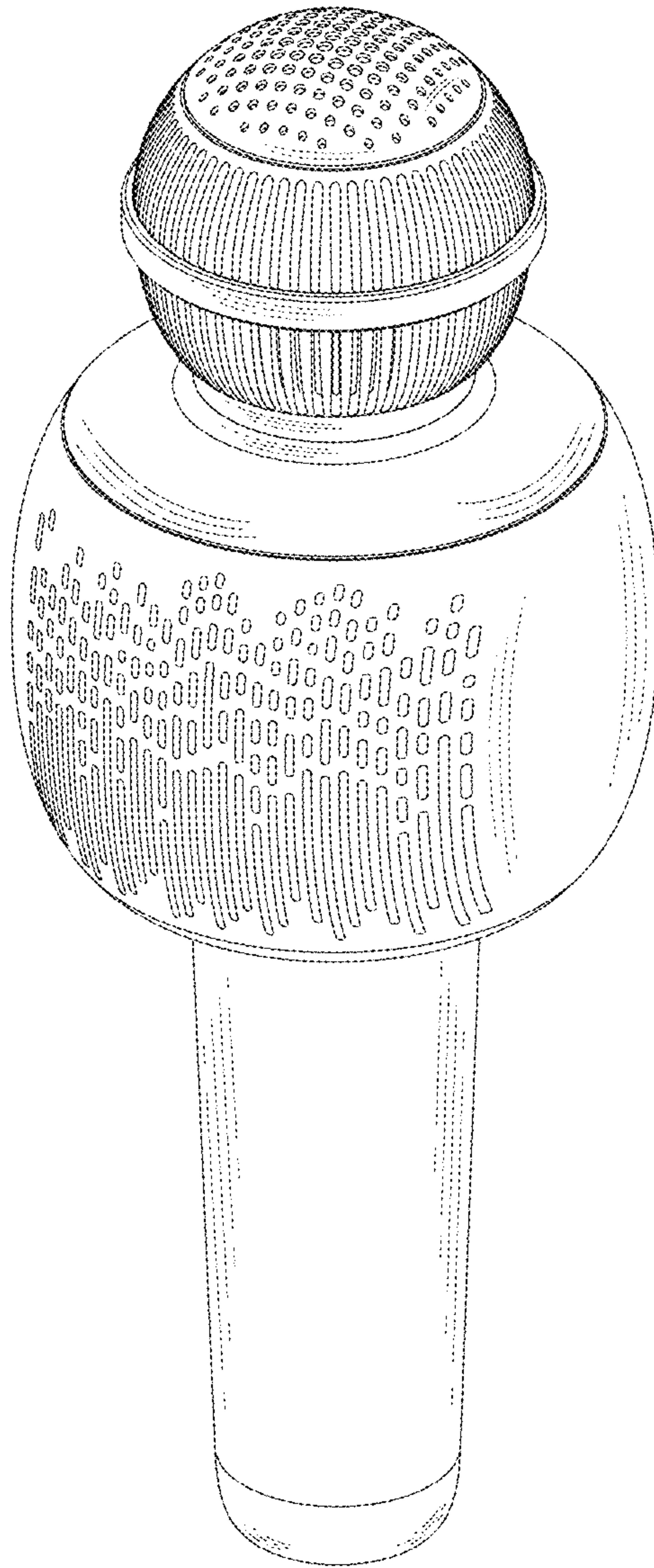


FIG. 2

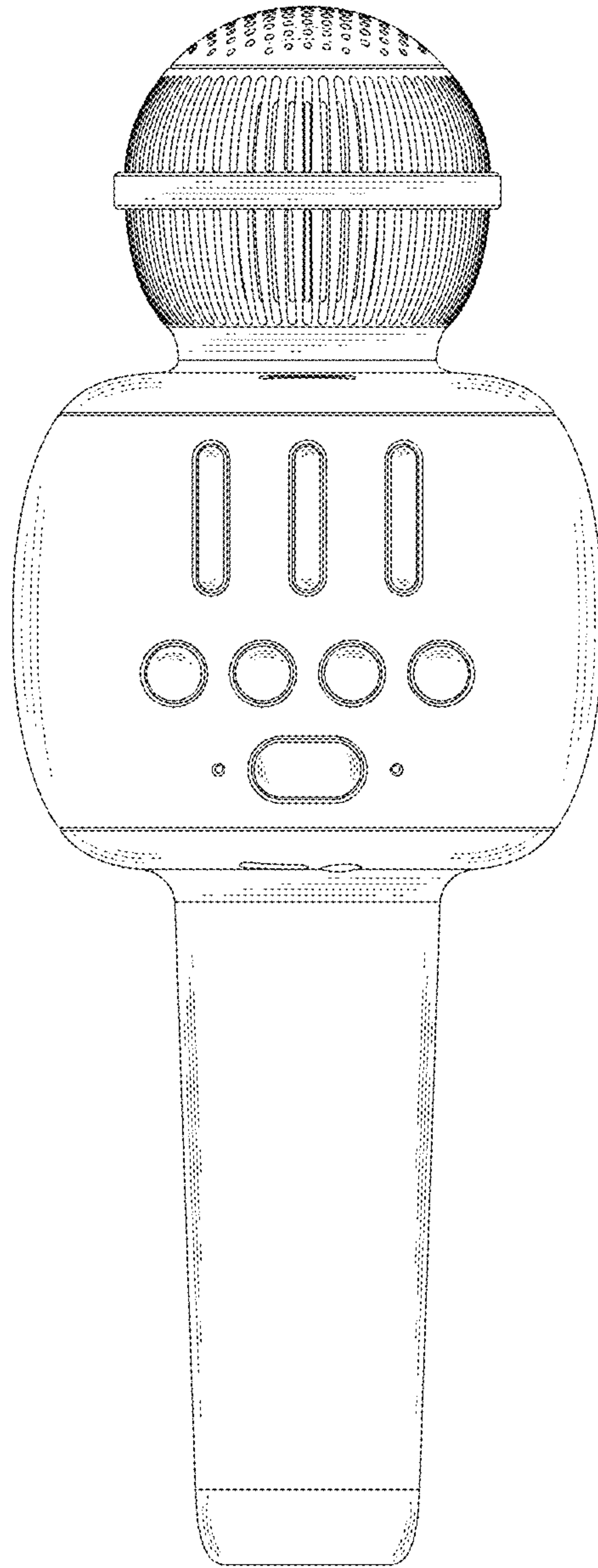


FIG.3

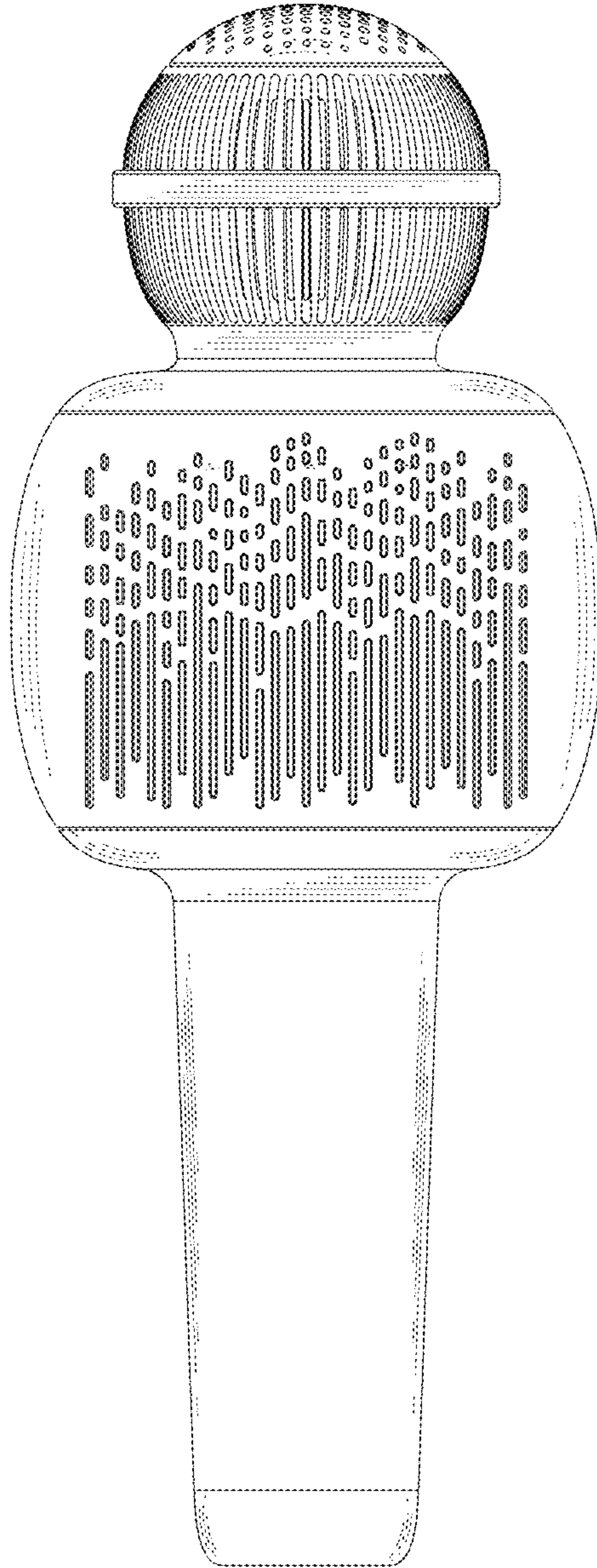


FIG.4

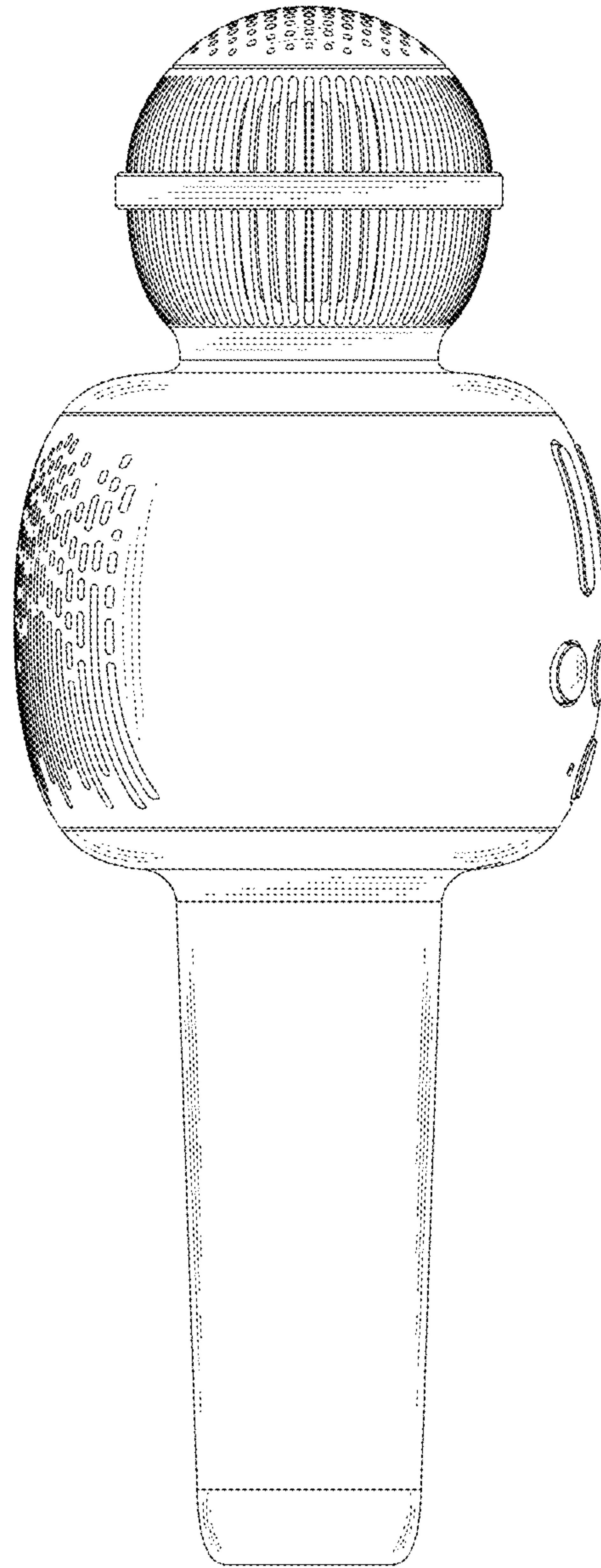


FIG.5

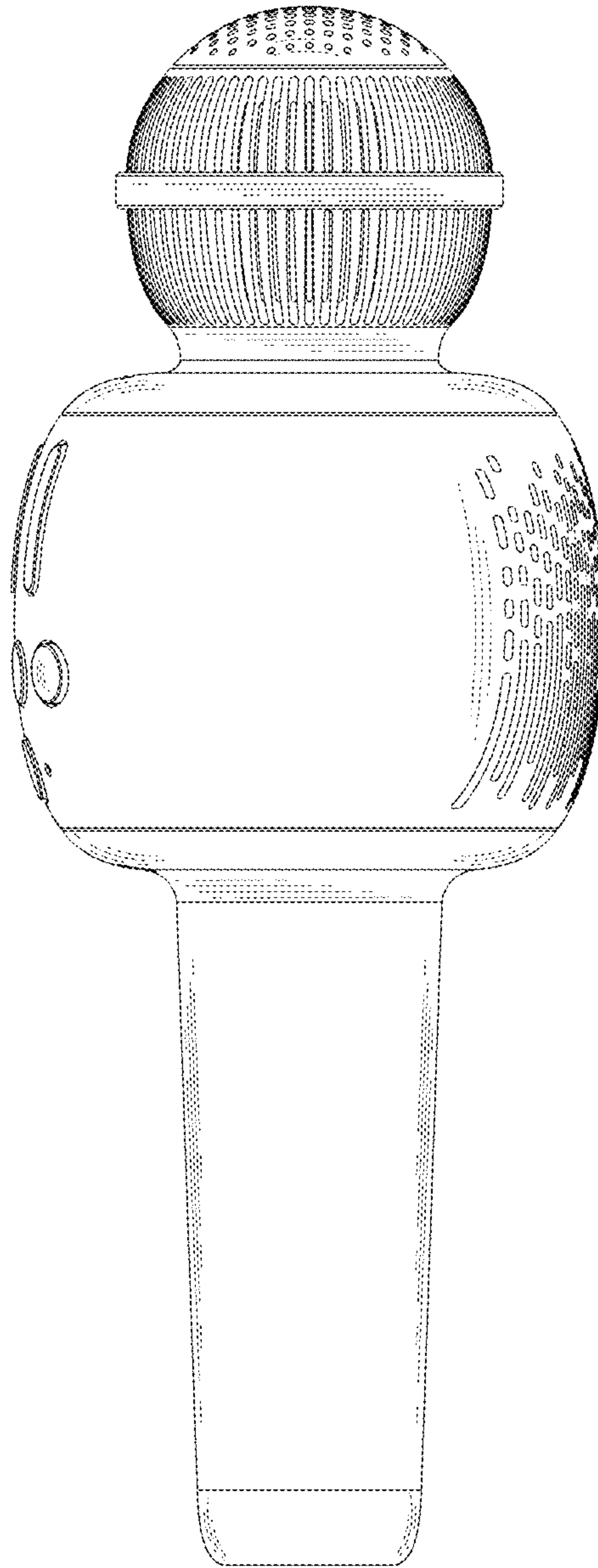


FIG.6

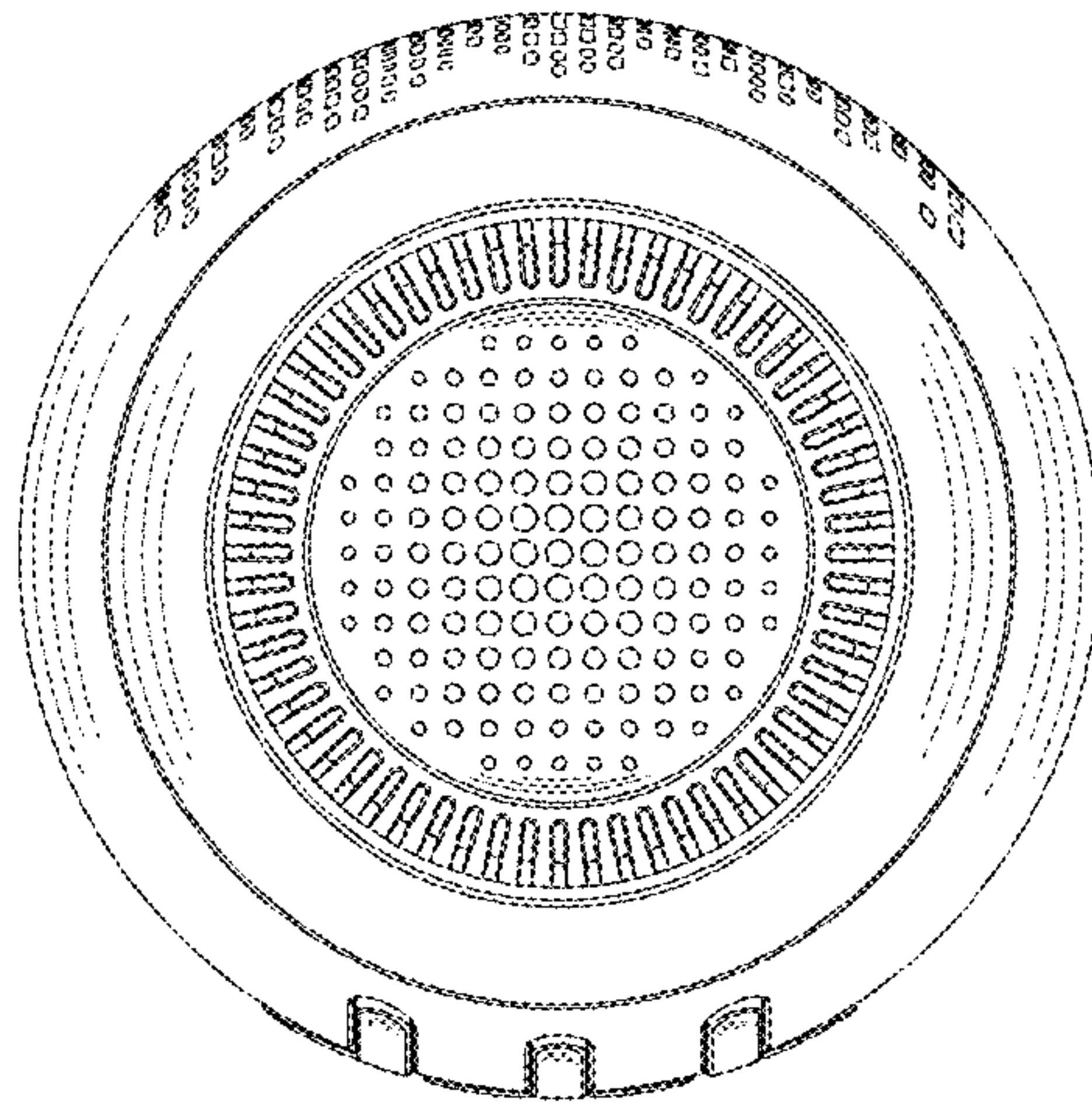


FIG. 7

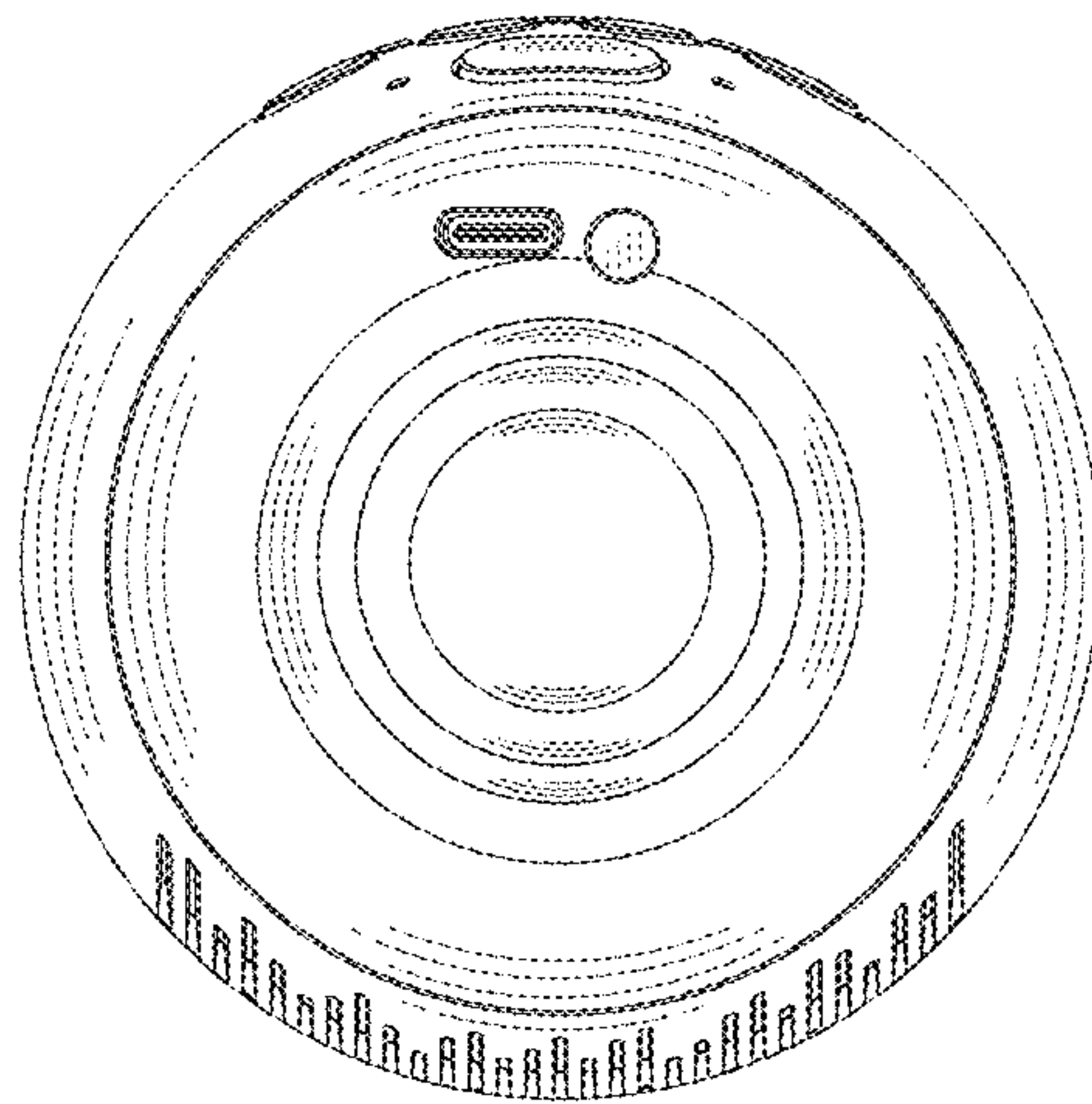


FIG. 8