



US00D980827S

(12) **United States Design Patent**
Dryden et al.

(10) **Patent No.:** **US D980,827 S**
(45) **Date of Patent:** **** Mar. 14, 2023**

- (54) **EARBUD**
- (71) Applicant: **Bose Corporation**, Framingham, MA (US)
- (72) Inventors: **Joshua Kevin Dryden**, Valencia, PA (US); **Alexander Decastro Calachan**, Belmont, MA (US); **Timothy Joseph Bennett**, Worcester, MA (US)
- (73) Assignee: **Bose Corporation**, Framingham, MA (US)
- (**) Term: **15 Years**
- (21) Appl. No.: **29/809,600**
- (22) Filed: **Sep. 29, 2021**
- (51) **LOC (14) Cl.** **14-01**
- (52) **U.S. Cl.**
USPC **D14/223**
- (58) **Field of Classification Search**
USPC D14/223, 205; D24/174; 128/864-866; 381/380-381, 322, 328
CPC H04R 1/10; H04R 25/00; H04R 25/02; H04R 1/1066; H04R 1/1016; H04R 5/033; H04R 5/0335; H04R 1/105; H04R 1/1058; H04R 1/1091
See application file for complete search history.

D773,439 S *	12/2016	Walker	D14/223
D777,710 S *	1/2017	Palmborg	D14/223
D781,269 S *	3/2017	Choe	D14/223
D782,442 S *	3/2017	Chen	D14/205
D782,998 S *	4/2017	Shin	D14/205
D788,079 S *	5/2017	Son	D14/223
D789,909 S *	6/2017	Hung	D14/223
D794,614 S *	8/2017	Xu	D14/223
D795,224 S *	8/2017	Valenzuela	D14/223
D795,225 S *	8/2017	Sumii	D14/223
D806,879 S *	1/2018	Horbinski	D24/174
D810,054 S *	2/2018	Yuan	D14/223
D812,042 S *	3/2018	Xiao	D14/223
D826,211 S *	8/2018	Kim	D14/206
D842,844 S *	3/2019	Li	D14/223
D848,979 S *	5/2019	Kim	D14/223

(Continued)

FOREIGN PATENT DOCUMENTS

EM	009101983-0002	*	7/2022
GB	9007523725-0001	*	1/2020
HK	2119188-0001	*	12/2021

Primary Examiner — Paula Allen Greene

(57) **CLAIM**

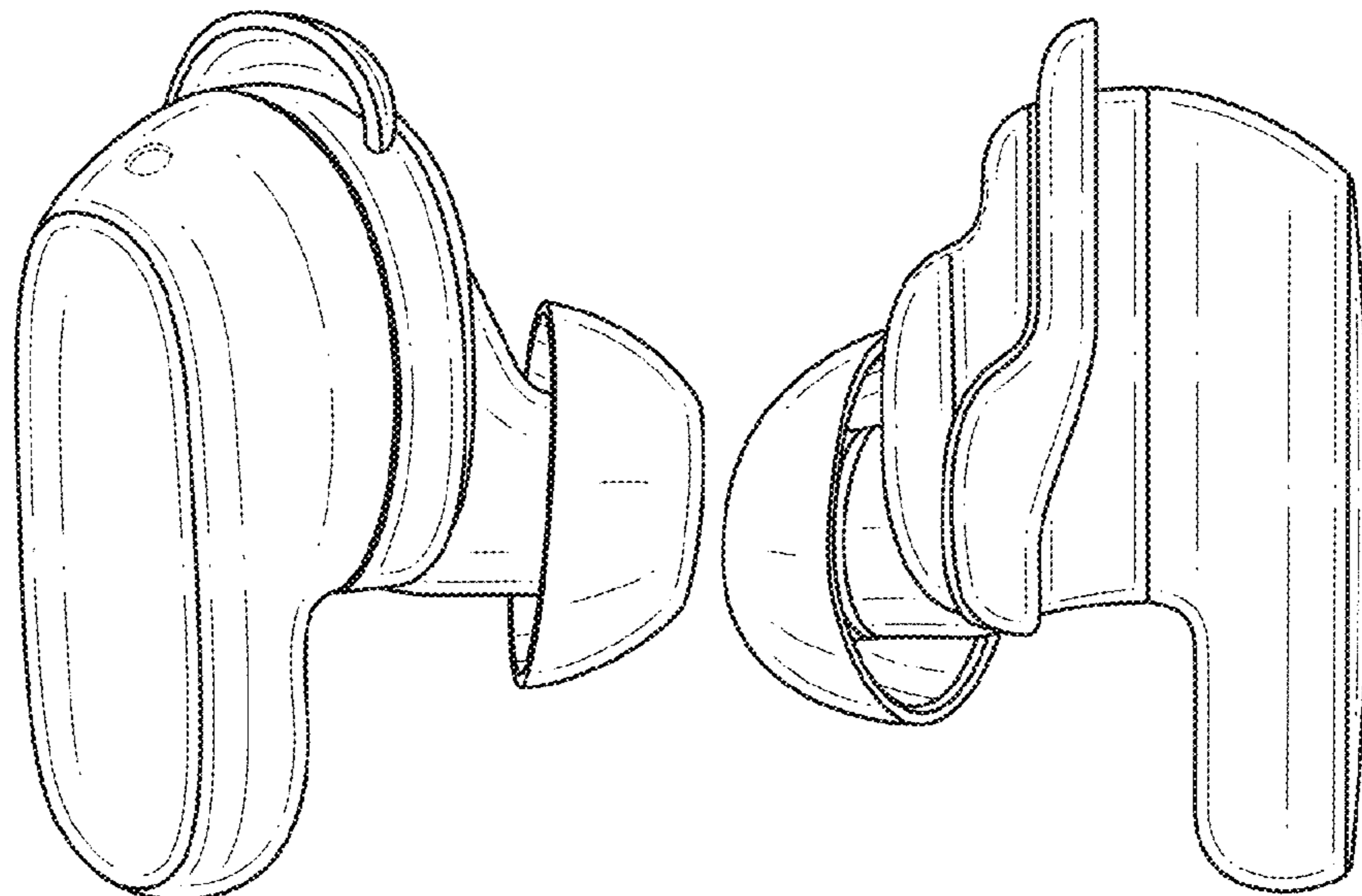
The ornamental design for an earbud, substantially as shown and described.

DESCRIPTION

FIG. 1 is a rear, top and left side perspective view of an earbud showing the new design; a mirror image left earbud is evident from the earbud shown;
 FIG. 2 is a left side view thereof;
 FIG. 3 is a front view thereof;
 FIG. 4 is a right side view thereof;
 FIG. 5 is a rear view thereof;
 FIG. 6 is a top view thereof; and,
 FIG. 7 is a bottom view thereof.
 The broken lines illustrate portions of the earbud and form no part of the claimed design.

1 Claim, 2 Drawing Sheets

- (56) **References Cited**
U.S. PATENT DOCUMENTS
- 6,122,388 A * 9/2000 Feldman H04R 25/652 381/328
- D729,775 S * 5/2015 Seo D14/223
- D737,251 S * 8/2015 Thompson D14/223
- D740,786 S * 10/2015 Huang D14/205
- D746,445 S * 12/2015 Lazarus D24/127
- D746,792 S * 1/2016 Kim D14/223
- D764,445 S * 8/2016 Czaniecki D14/223
- D767,532 S * 9/2016 Jen D14/205



(56)

References Cited

U.S. PATENT DOCUMENTS

D851,072 S * 6/2019 McNamara D14/223
 D852,171 S * 6/2019 Cai D14/223
 D852,782 S * 7/2019 Bergman D14/223
 D855,589 S * 8/2019 Madsen D14/223
 D872,064 S * 1/2020 Cai D14/223
 D889,405 S * 7/2020 McCool D13/110
 D889,441 S * 7/2020 Lin D14/223
 D902,182 S * 11/2020 Wang D14/223
 D902,890 S * 11/2020 Williamson D14/223
 10,827,249 B1 * 11/2020 Pine H04R 1/1041
 D910,603 S * 2/2021 Li D14/223
 D912,647 S * 3/2021 Williamson D14/223
 D912,648 S * 3/2021 Williamson D14/223
 D915,358 S * 4/2021 Ma D14/223
 D917,428 S * 4/2021 Khoi D14/223
 D920,288 S * 5/2021 Vautour D14/223
 D923,610 S * 6/2021 Bonahoom D14/223
 D924,849 S * 7/2021 Yang D14/223
 D926,162 S * 7/2021 Dang D14/223
 D926,163 S * 7/2021 Williamson D14/223

D928,122 S * 8/2021 Yoshida D14/223
 D928,742 S * 8/2021 Liu D14/223
 D929,970 S * 9/2021 Lin D14/223
 D930,617 S * 9/2021 Tanaka D14/223
 D930,620 S * 9/2021 Lindenberger D14/223
 D936,034 S * 11/2021 Yoshida D14/223
 D938,941 S * 12/2021 Iwahori D14/223
 D939,478 S * 12/2021 Wu D14/223
 D939,479 S * 12/2021 Wang D14/223
 D945,405 S * 3/2022 Rose D14/223
 D954,684 S * 6/2022 Laffon de Mazieres D14/223
 D961,556 S * 8/2022 Hong D14/223
 D963,612 S * 9/2022 Lin D14/223
 D965,564 S * 10/2022 Vaerum D14/223
 2012/0114160 A1 * 5/2012 Lin H04R 1/1091
 381/380
 2013/0259286 A1 * 10/2013 Chung H04R 1/1016
 381/380
 2018/0035193 A1 * 2/2018 Tsubone H04R 25/604
 2020/0374632 A1 * 11/2020 Wang H04R 1/1016
 2021/0281939 A1 * 9/2021 Yuen H04R 1/105
 2021/0298657 A1 * 9/2021 Won A61B 5/6815
 2022/0095040 A1 * 3/2022 Holley H04R 1/1016

* cited by examiner

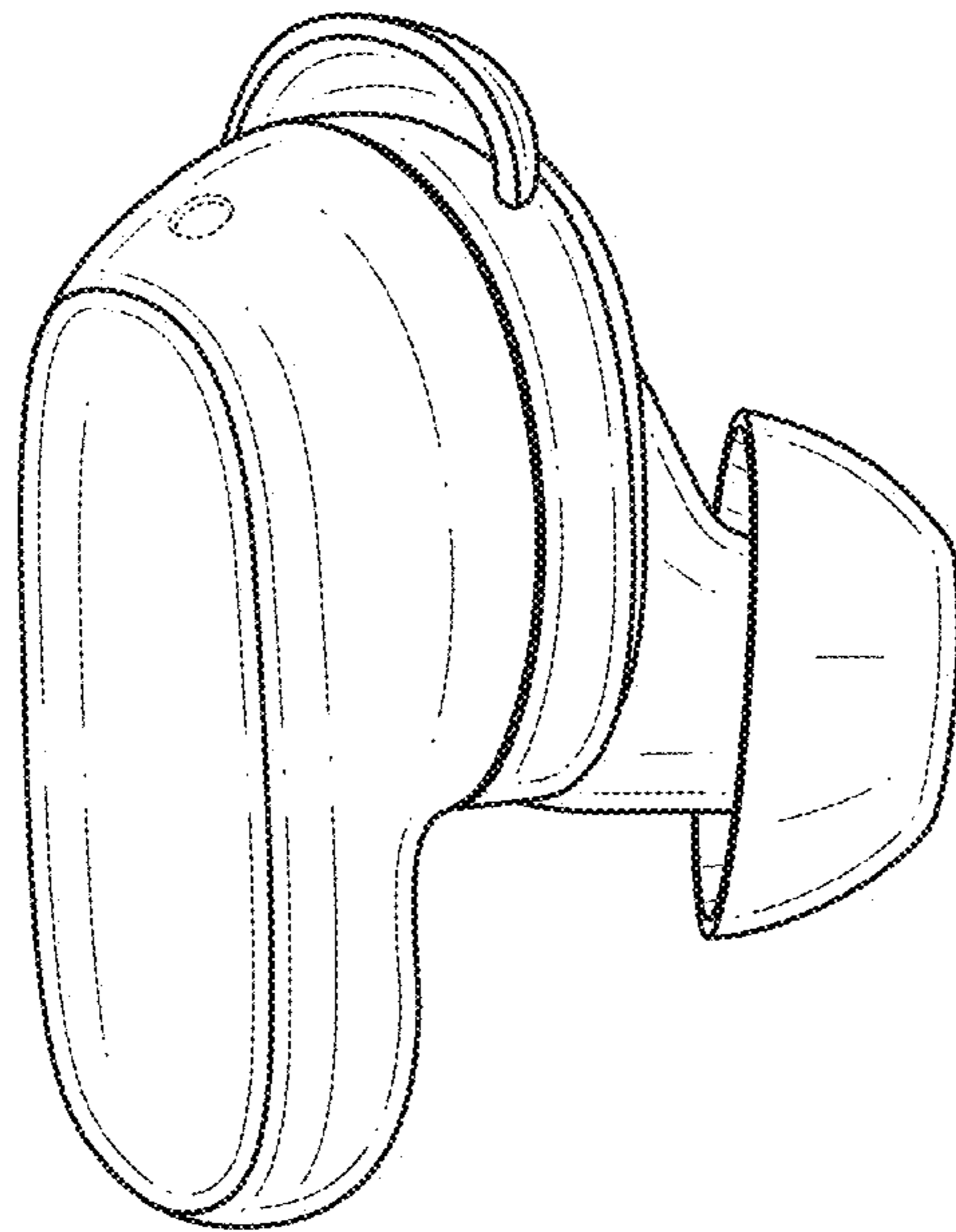


FIG. 1

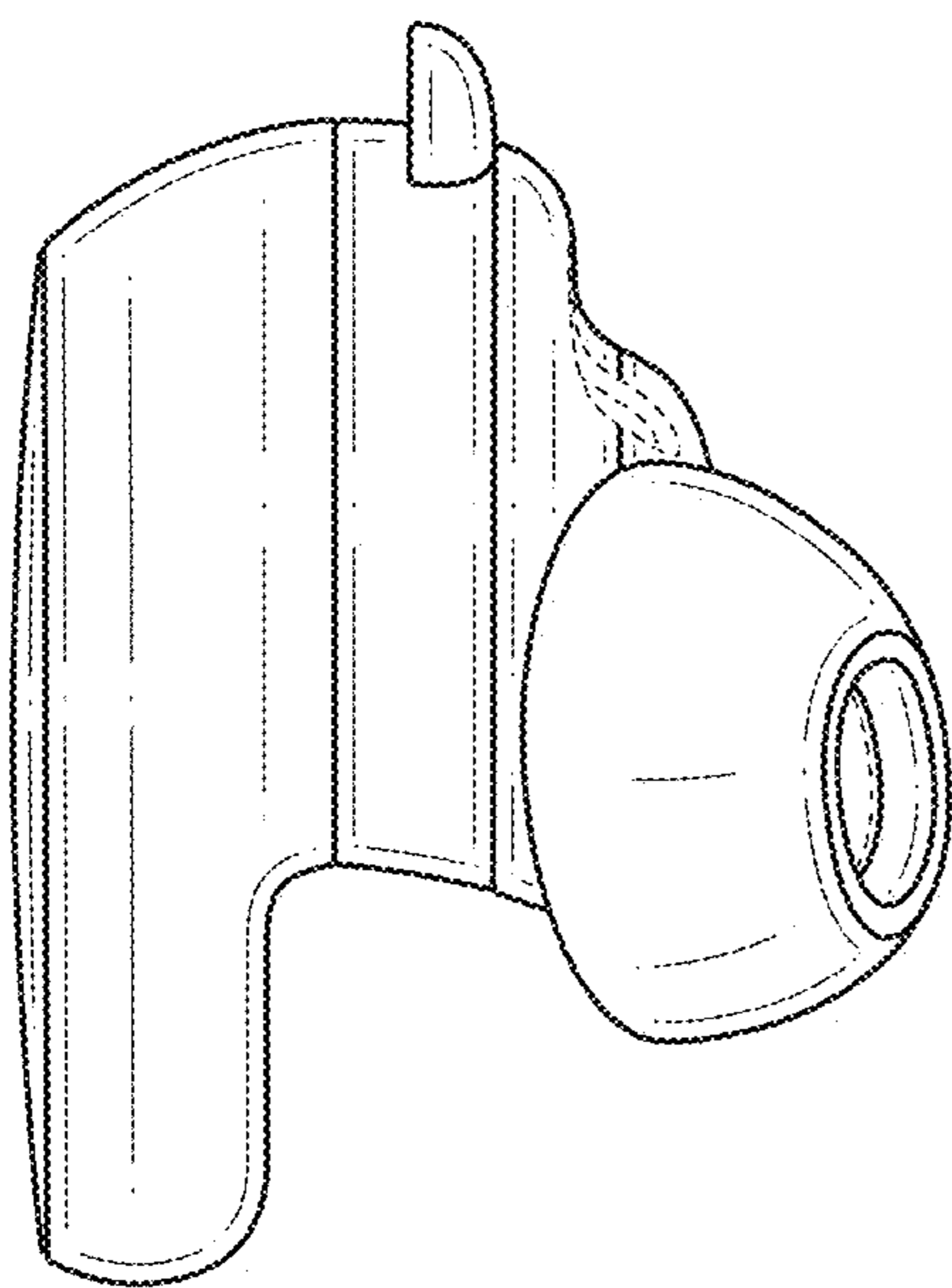


FIG. 2

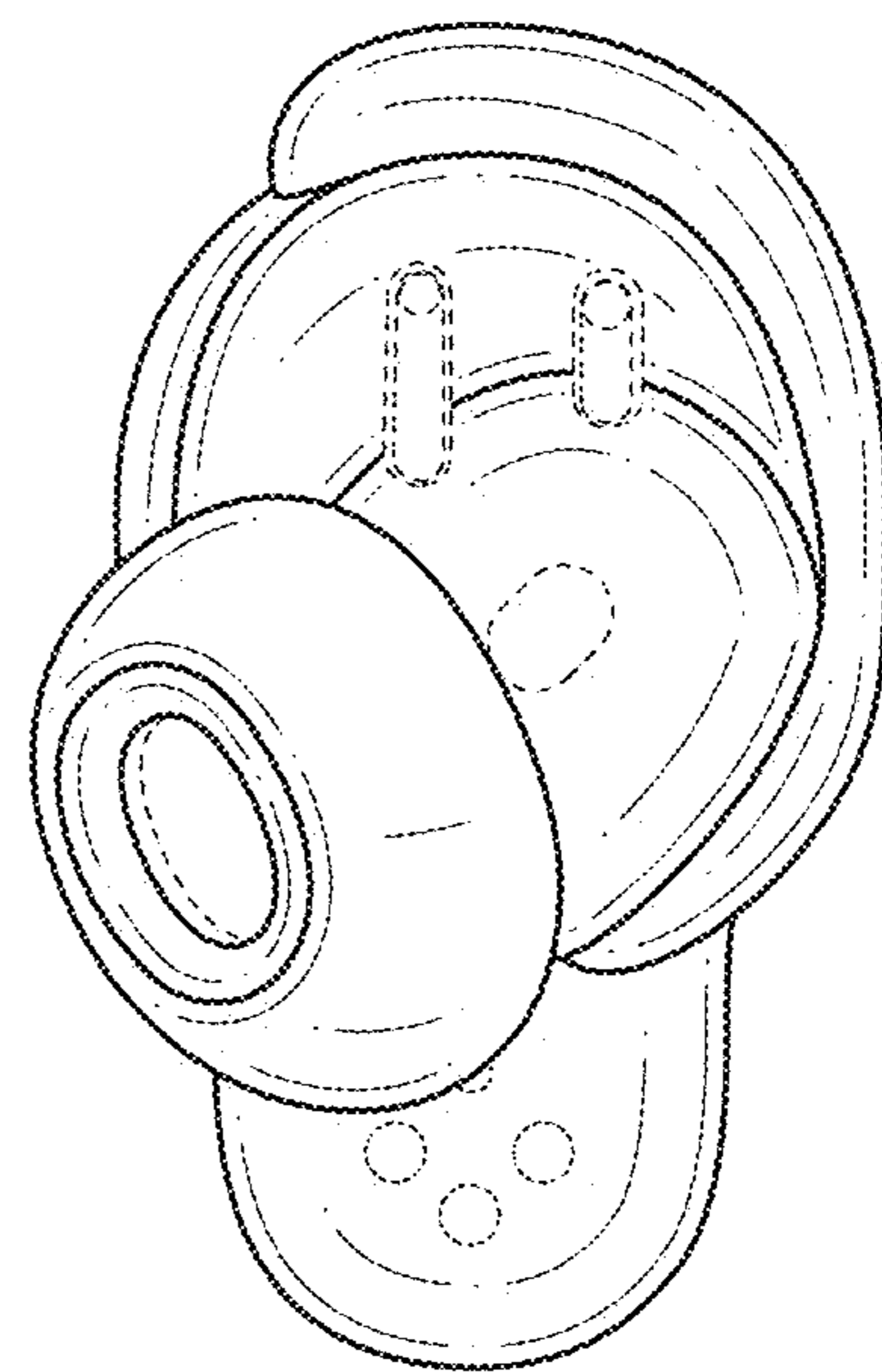


FIG. 3

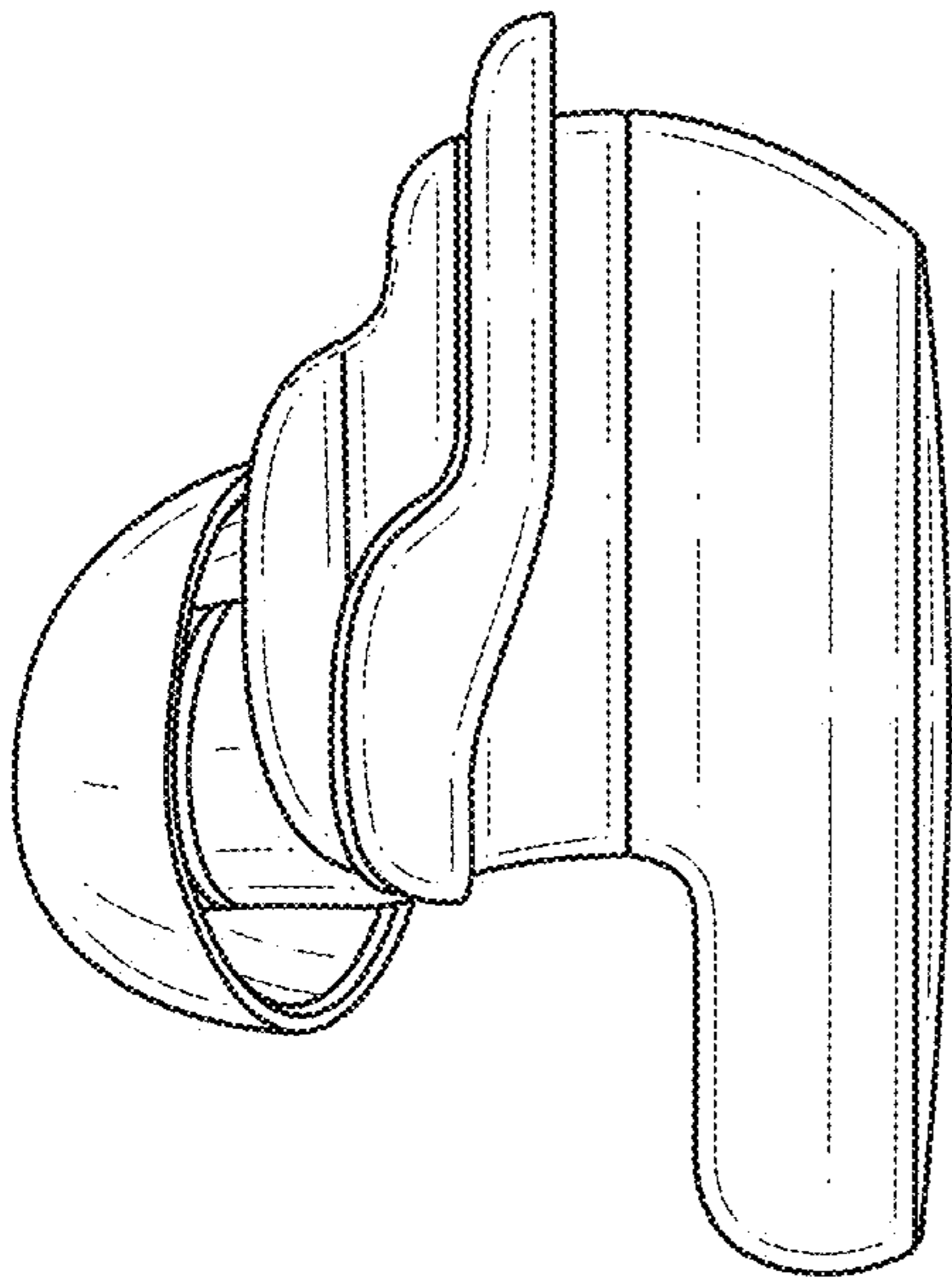


FIG. 4

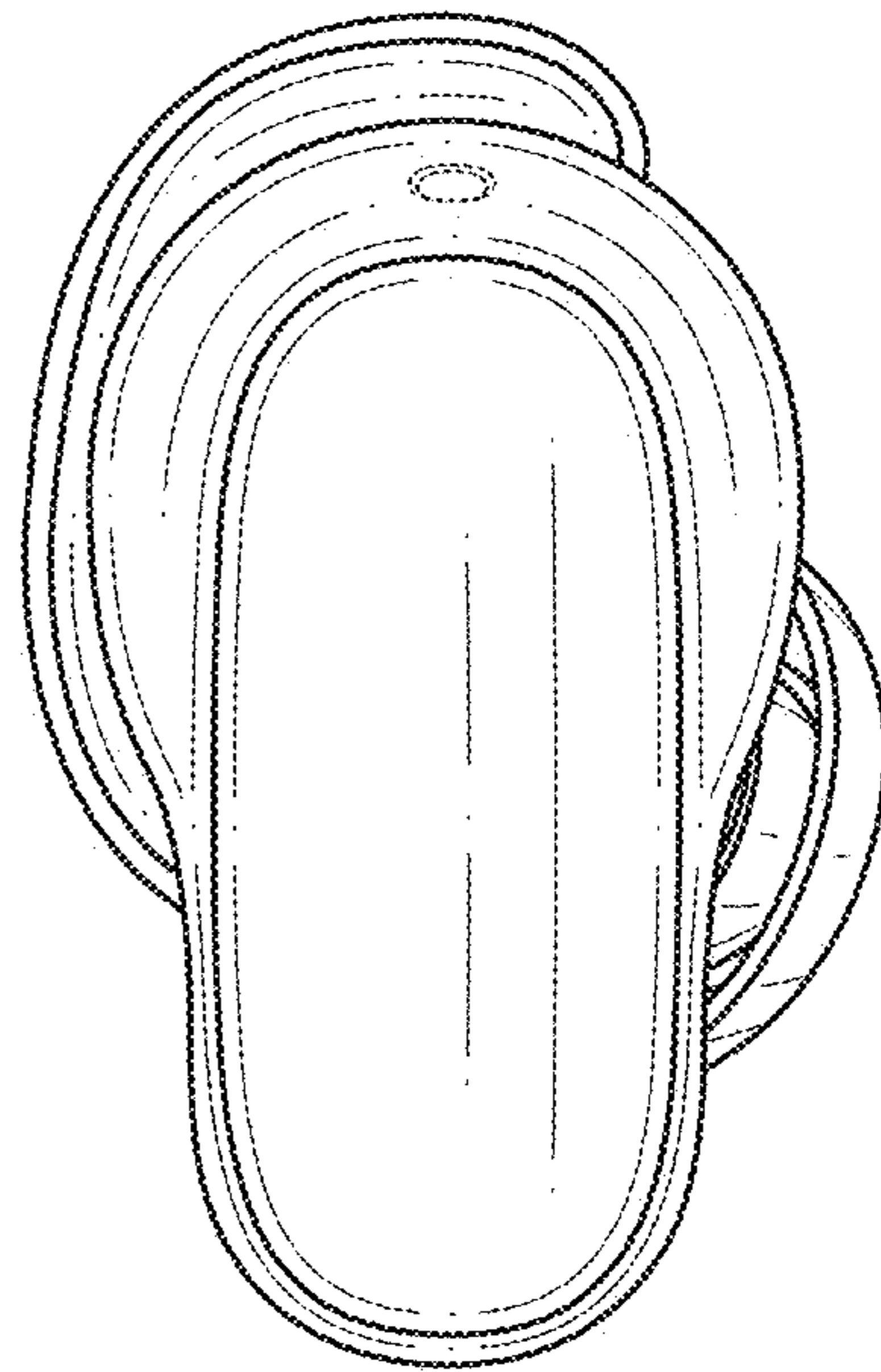


FIG. 5

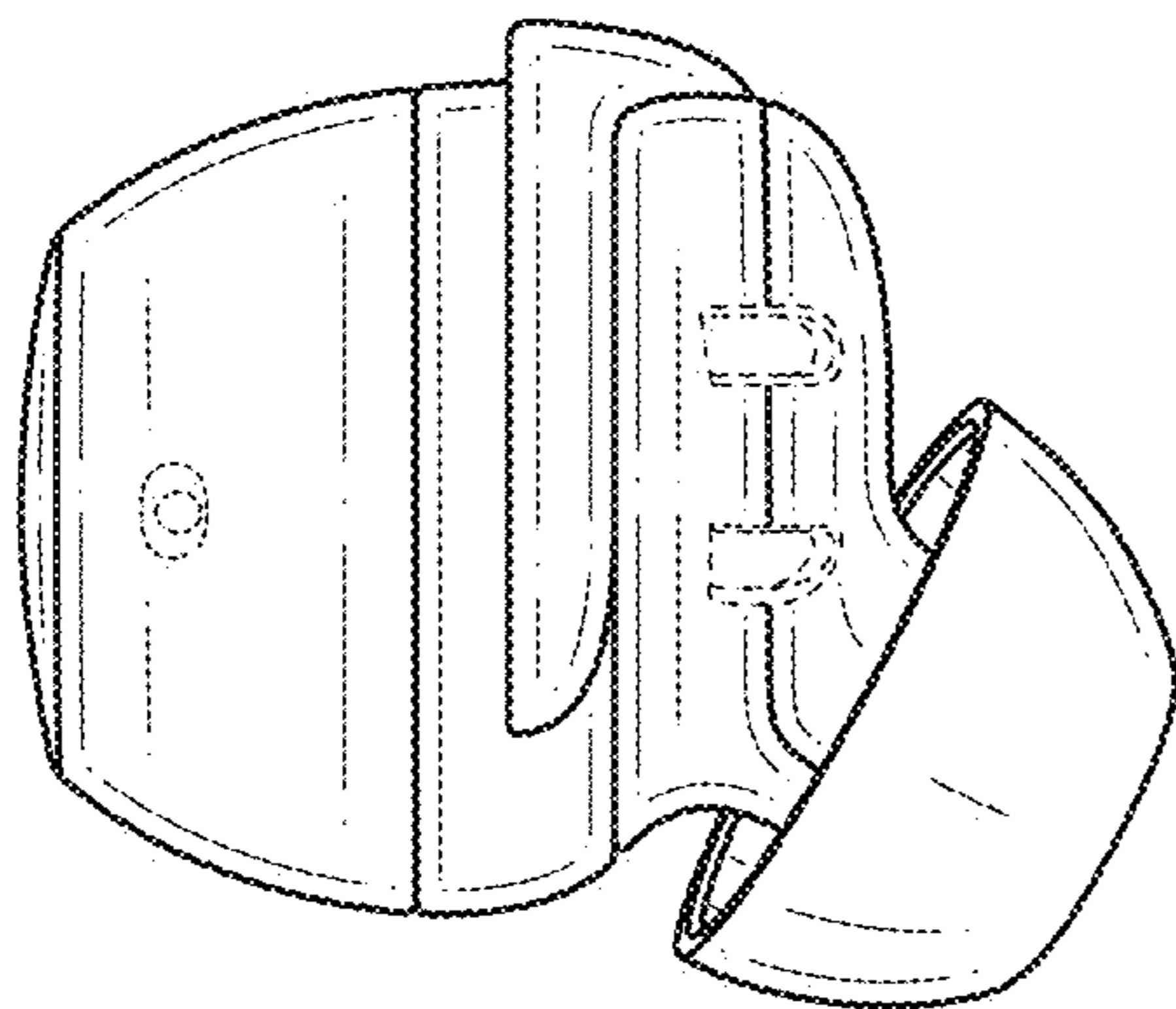


FIG. 6

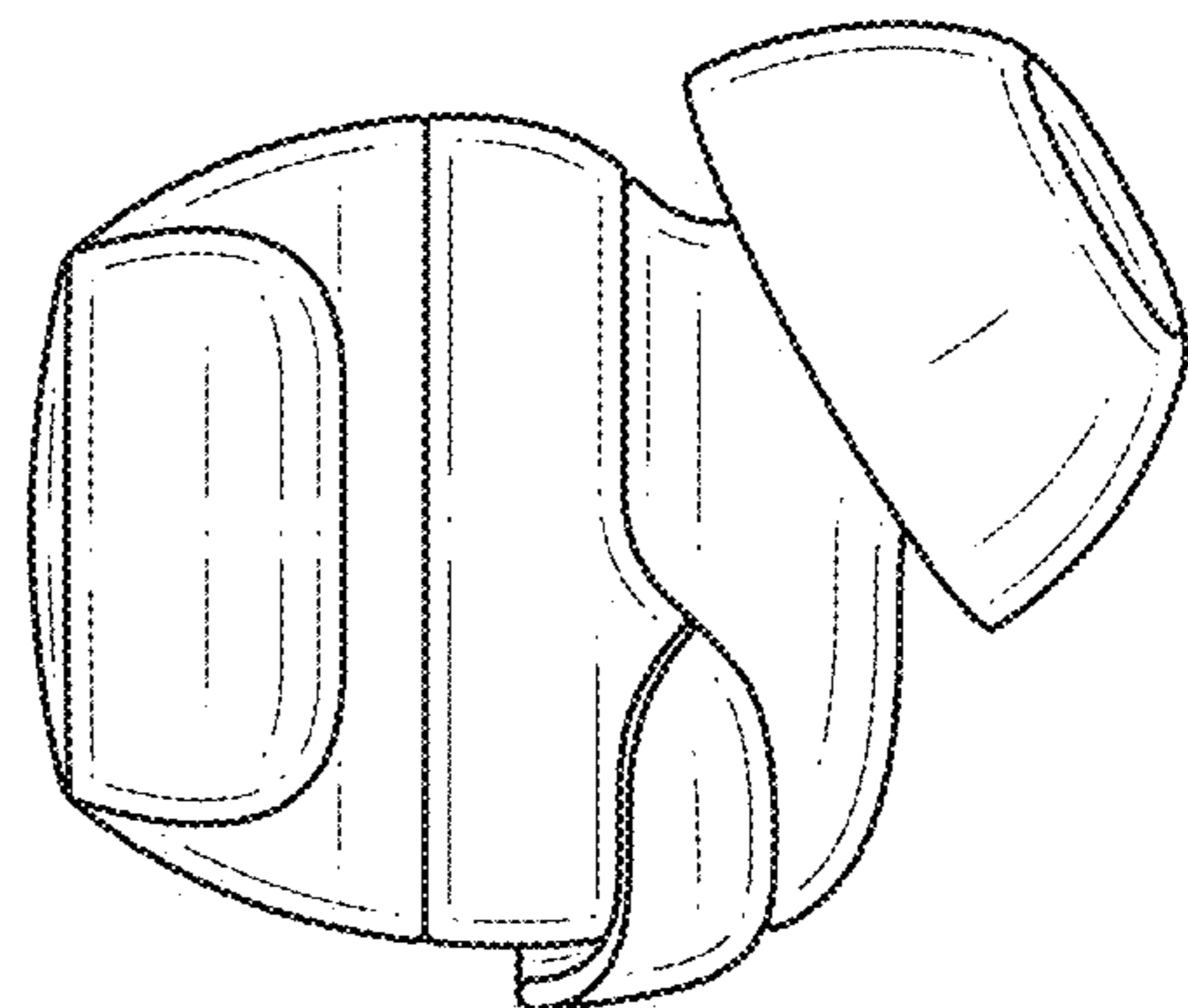


FIG. 7