



US00D980826S

(12) **United States Design Patent**
Bennett et al.

(10) **Patent No.:** **US D980,826 S**
(45) **Date of Patent:** **** Mar. 14, 2023**

- (54) **EARBUD**
- (71) Applicant: **Bose Corporation**, Framingham, MA (US)
- (72) Inventors: **Timothy Joseph Bennett**, Worcester, MA (US); **Joshua Kevin Dryden**, Valencia, PA (US); **Alexander Decastro Calachan**, Cambridge, MA (US)
- (73) Assignee: **Bose Corporation**, Framingham, MA (US)
- (**) Term: **15 Years**
- (21) Appl. No.: **29/795,608**
- (22) Filed: **Jun. 18, 2021**
- (51) **LOC (14) Cl.** **14-01**
- (52) **U.S. Cl.**
USPC **D14/223**
- (58) **Field of Classification Search**
USPC D14/223, 205; D24/174; 128/864-866; 381/380-381, 322, 328
CPC H04R 1/10; H04R 25/00; H04R 25/02; H04R 1/1066; H04R 1/1016; H04R 5/033; H04R 5/0335; H04R 1/105; H04R 1/1058; H04R 1/1091
See application file for complete search history.

- (56) **References Cited**
U.S. PATENT DOCUMENTS
7,120,267 B2 * 10/2006 Ito H04R 1/083 381/384
8,406,448 B2 * 3/2013 Lin H04R 1/1091 381/370
8,776,801 B2 * 7/2014 McIntosh H04R 1/1083 181/135
D711,356 S * 8/2014 Yang D14/223
D719,550 S * 12/2014 Yang D14/223

D725,082 S *	3/2015	Palmborg	D14/223
D726,145 S *	4/2015	Hsieh	D14/205
D727,871 S *	4/2015	Orbach	D14/205
D733,102 S *	6/2015	Palmborg	D14/223
D733,103 S *	6/2015	Jeong	D14/224
D735,169 S *	7/2015	Shieh	D14/223
9,131,308 B2 *	9/2015	Kraft	G10L 21/0232
D742,861 S *	11/2015	Miyake	D14/223
D764,445 S *	8/2016	Czaniecki	D14/223
D777,710 S *	1/2017	Palmborg	D14/223
D781,269 S *	3/2017	Choe	D14/223
D782,997 S *	4/2017	Shin	D14/205
D798,309 S *	9/2017	Rickes	D14/485
D817,309 S *	5/2018	Czaniecki	D14/223
D818,990 S *	5/2018	Tzeng	D14/223
D824,371 S *	7/2018	Loermann	D24/174
D826,211 S *	8/2018	Kim	D14/206

(Continued)

FOREIGN PATENT DOCUMENTS

EM	003063429-0002	*	4/2016
EM	009101983-0002	*	7/2022
HK	2119188-0001	*	12/2021

Primary Examiner — Paula Allen Greene

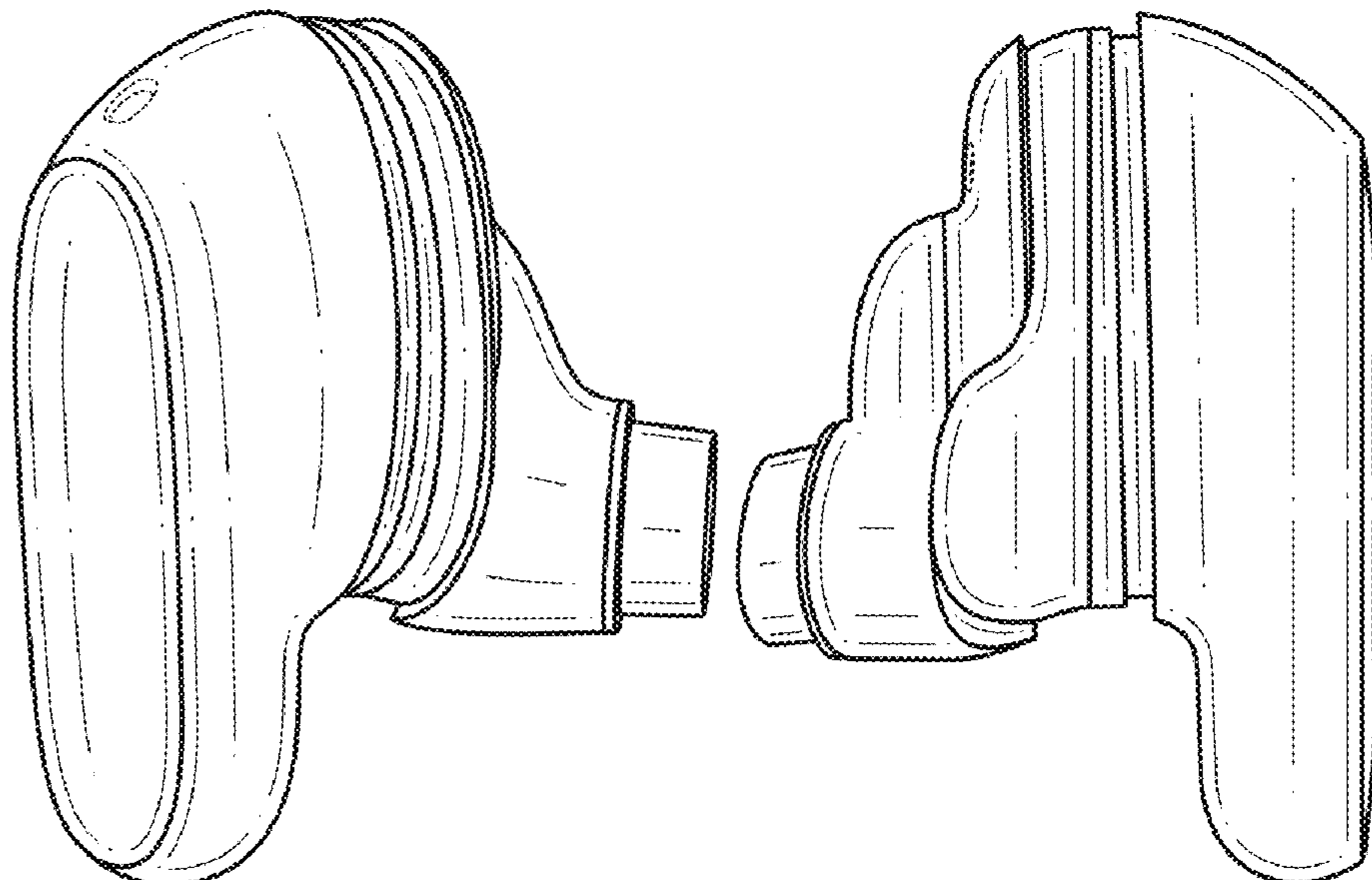
(57) **CLAIM**

The ornamental design for earbud, substantially as shown and described.

DESCRIPTION

FIG. 1 is a perspective view of an earbud as seen from the rear, top, and left side;
 FIG. 2 is a left side view thereof;
 FIG. 3 is a front view thereof;
 FIG. 4 is a right side view thereof;
 FIG. 5 is a rear view thereof;
 FIG. 6 is a top view thereof; and,
 FIG. 7 is a bottom view thereof.
 The broken lines illustrate portions of the earbud and form no part of the claimed design.

1 Claim, 2 Drawing Sheets



(56)

References Cited

U.S. PATENT DOCUMENTS

D845,932 S * 4/2019 Lu D14/223
 D847,126 S * 4/2019 Loermann D14/223
 D858,489 S * 9/2019 Hu D14/223
 D862,424 S * 10/2019 You D14/223
 D863,263 S * 10/2019 Yu D14/223
 D868,752 S * 12/2019 Zhu D14/223
 D875,714 S * 2/2020 Kim D14/205
 D883,257 S * 5/2020 Duddy D14/223
 D883,258 S * 5/2020 Wu D14/223
 D889,441 S * 7/2020 Lin D14/223
 D892,087 S * 8/2020 Briggs D14/223
 D895,580 S * 9/2020 Yu D14/223
 D897,318 S * 9/2020 Blundell D14/223
 D897,319 S * 9/2020 Wang D14/223
 D897,322 S * 9/2020 Wei D14/223
 D899,405 S * 10/2020 Vaclavik D14/223
 D902,184 S * 11/2020 Yang D14/223
 10,827,249 B1 * 11/2020 Pine H04R 1/1041
 D908,667 S * 1/2021 He D14/223
 D912,016 S * 3/2021 Ando D14/223
 D912,647 S * 3/2021 Williamson D14/223

D912,648 S * 3/2021 Williamson D14/223
 D920,288 S * 5/2021 Vautour D14/223
 D924,849 S * 7/2021 Yang D14/223
 D926,162 S * 7/2021 Dang D14/223
 D926,163 S * 7/2021 Williamson D14/223
 D928,742 S * 8/2021 Liu D14/223
 D930,617 S * 9/2021 Tanaka D14/223
 D954,026 S * 6/2022 Sasaki D14/223
 D955,369 S * 6/2022 Zhang D14/223
 D959,411 S * 8/2022 Ando D14/223
 D961,556 S * 8/2022 Hong D14/223
 D963,612 S * 9/2022 Lin D14/223
 D965,564 S * 10/2022 Vaerum D14/223
 2012/0114160 A1 * 5/2012 Lin H04R 1/1091
 381/380
 2016/0316292 A1 * 10/2016 Huang H04R 1/1091
 2019/0075384 A1 * 3/2019 Miwa H04R 1/1075
 2020/0177981 A1 * 6/2020 Ma H04R 1/1016
 2020/0186906 A1 * 6/2020 Birch H04R 1/1041
 2020/0374632 A1 * 11/2020 Wang H04R 1/1016
 2021/0289280 A1 * 9/2021 Ko H04R 1/1075
 2022/0177981 A1 * 6/2022 Hodges C12Q 1/6825
 2022/0303657 A1 * 9/2022 Unruh H04R 1/1075

* cited by examiner

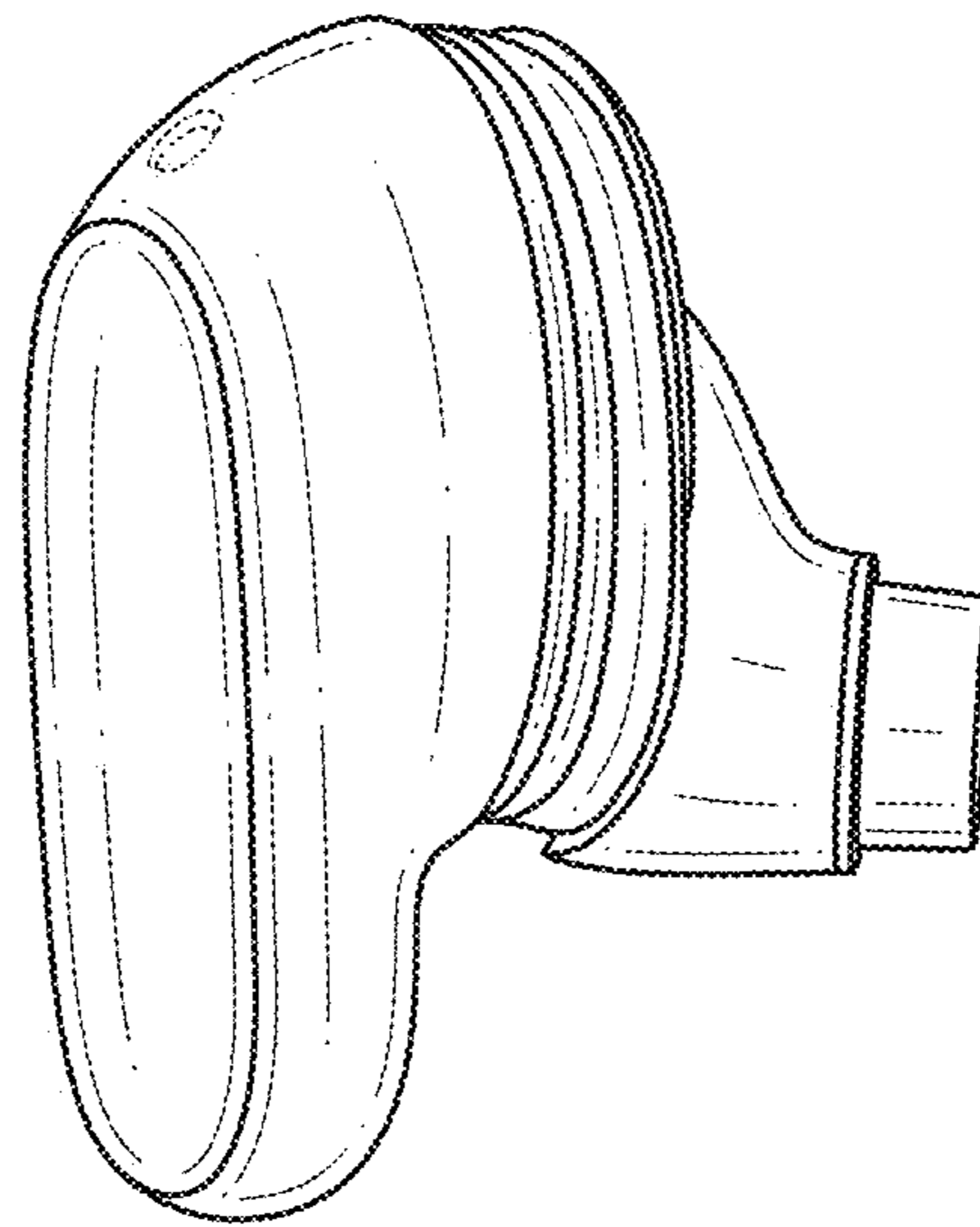


FIG. 1

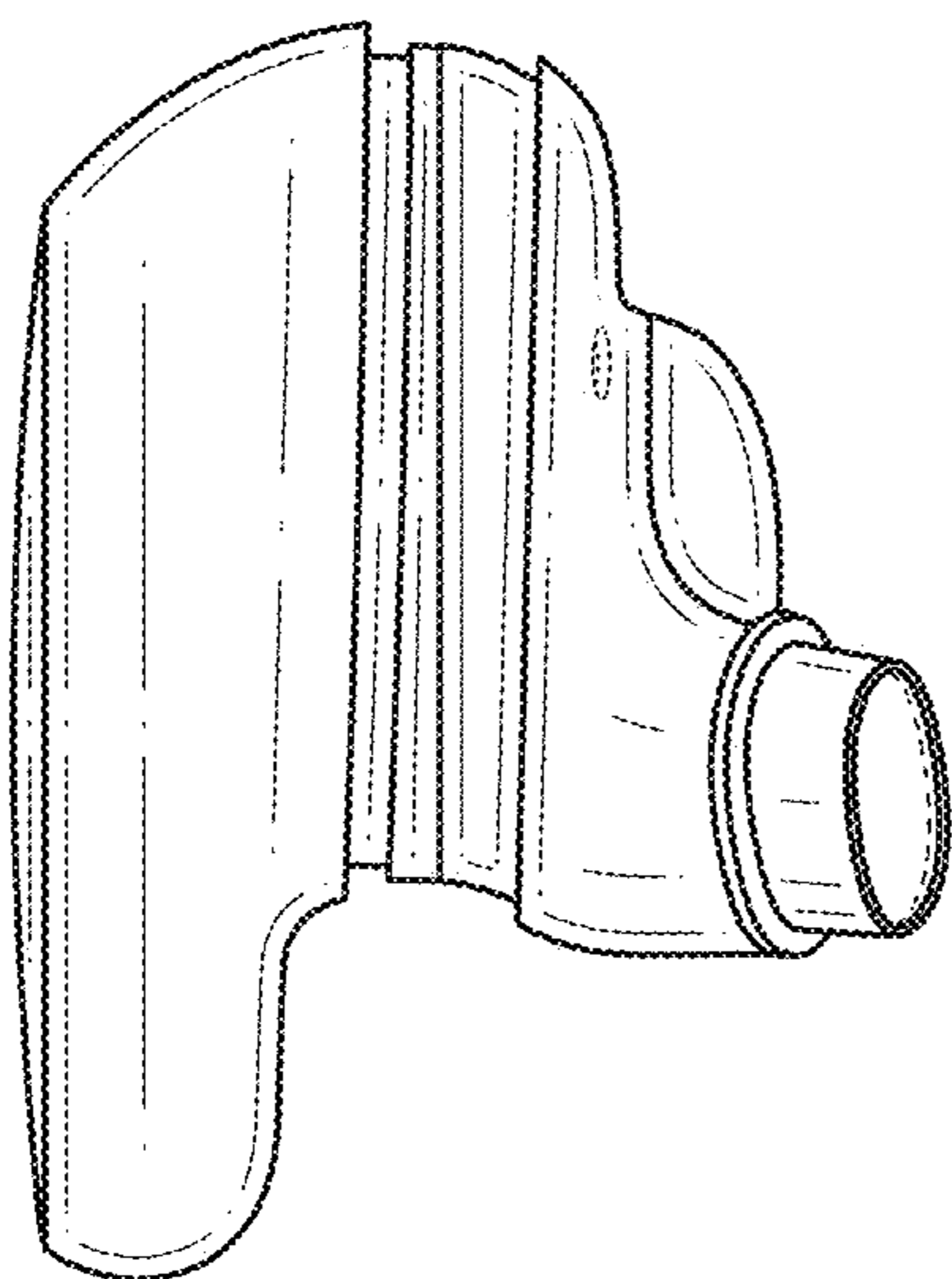


FIG. 2

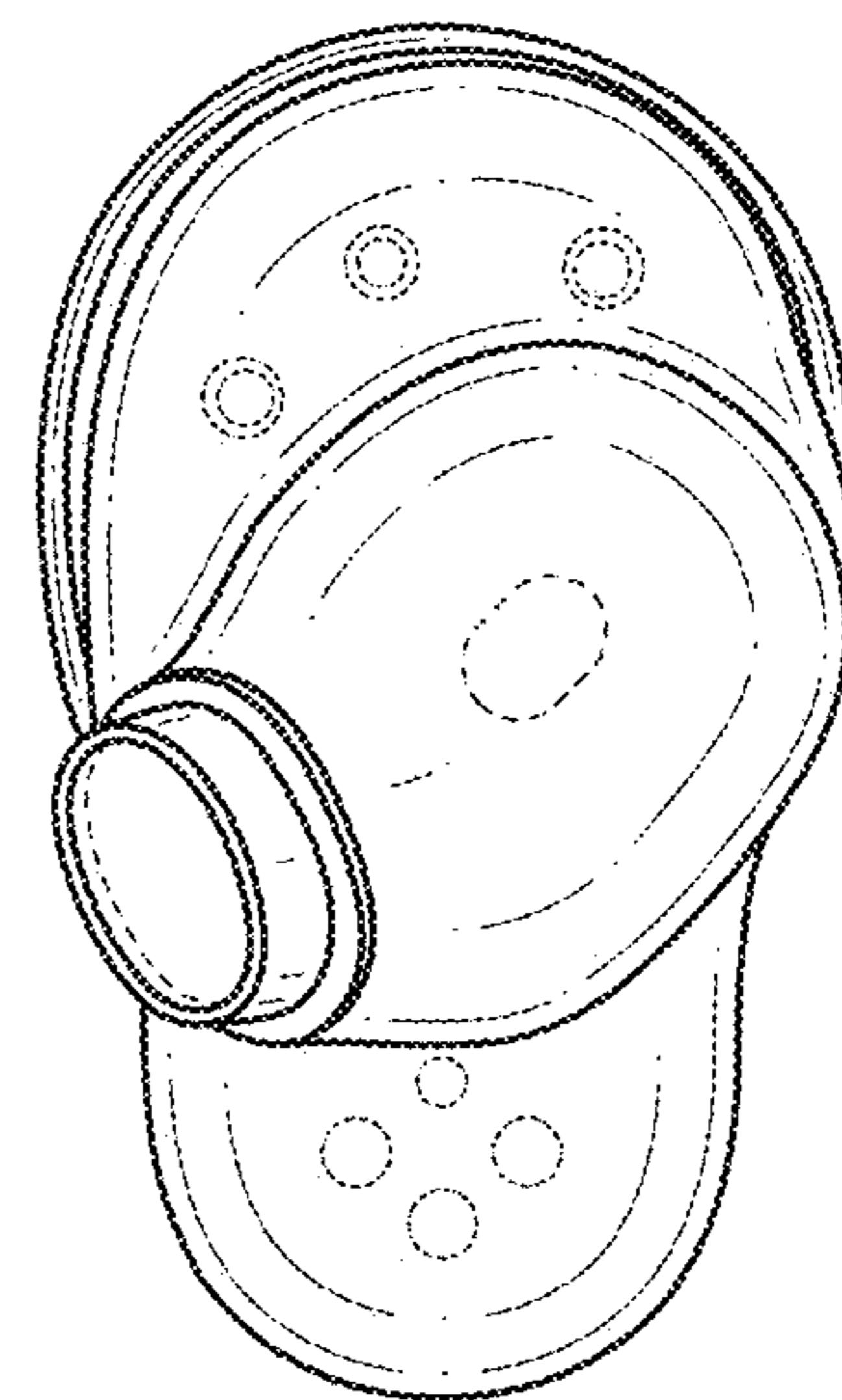


FIG. 3

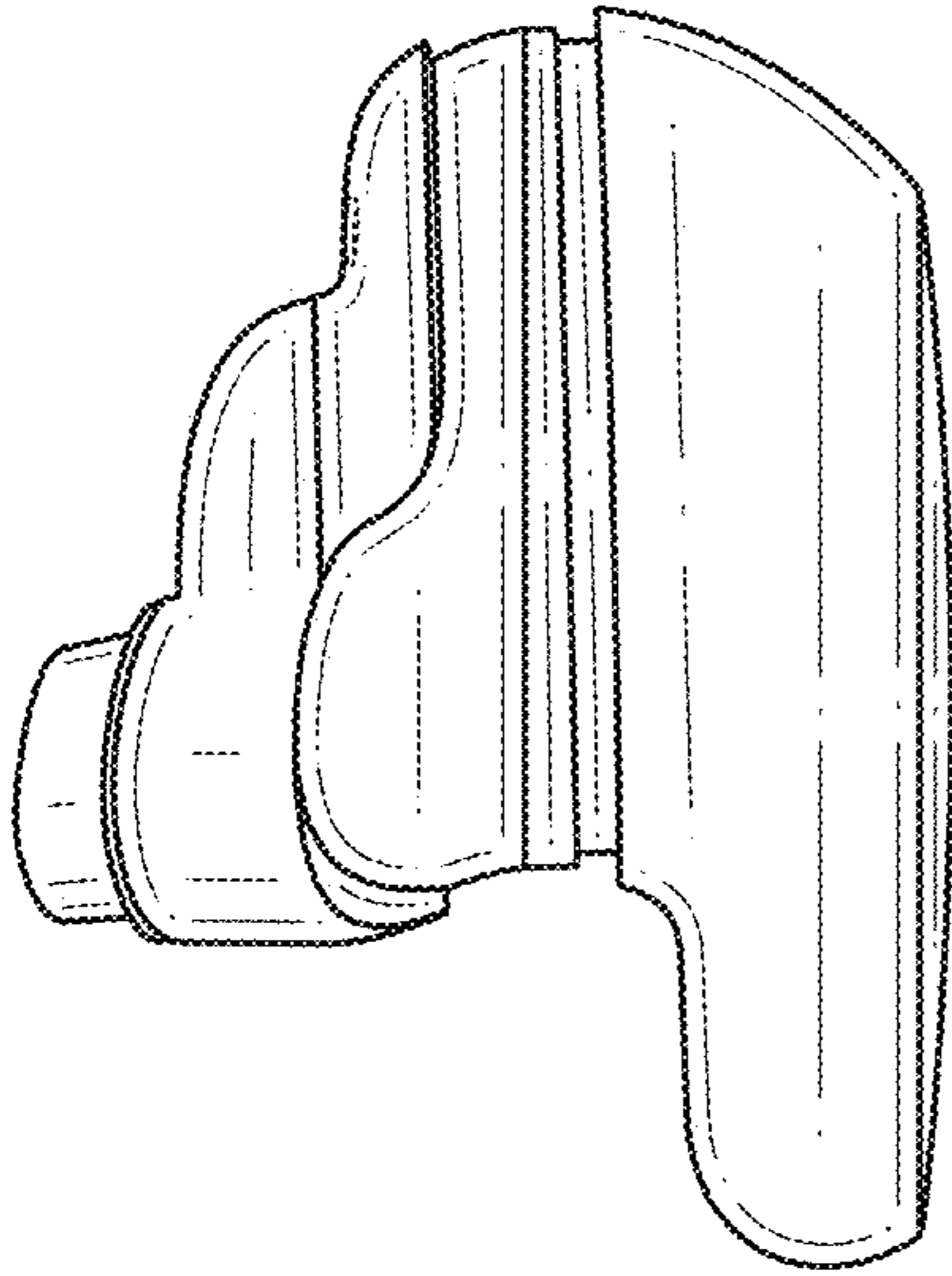


FIG. 4

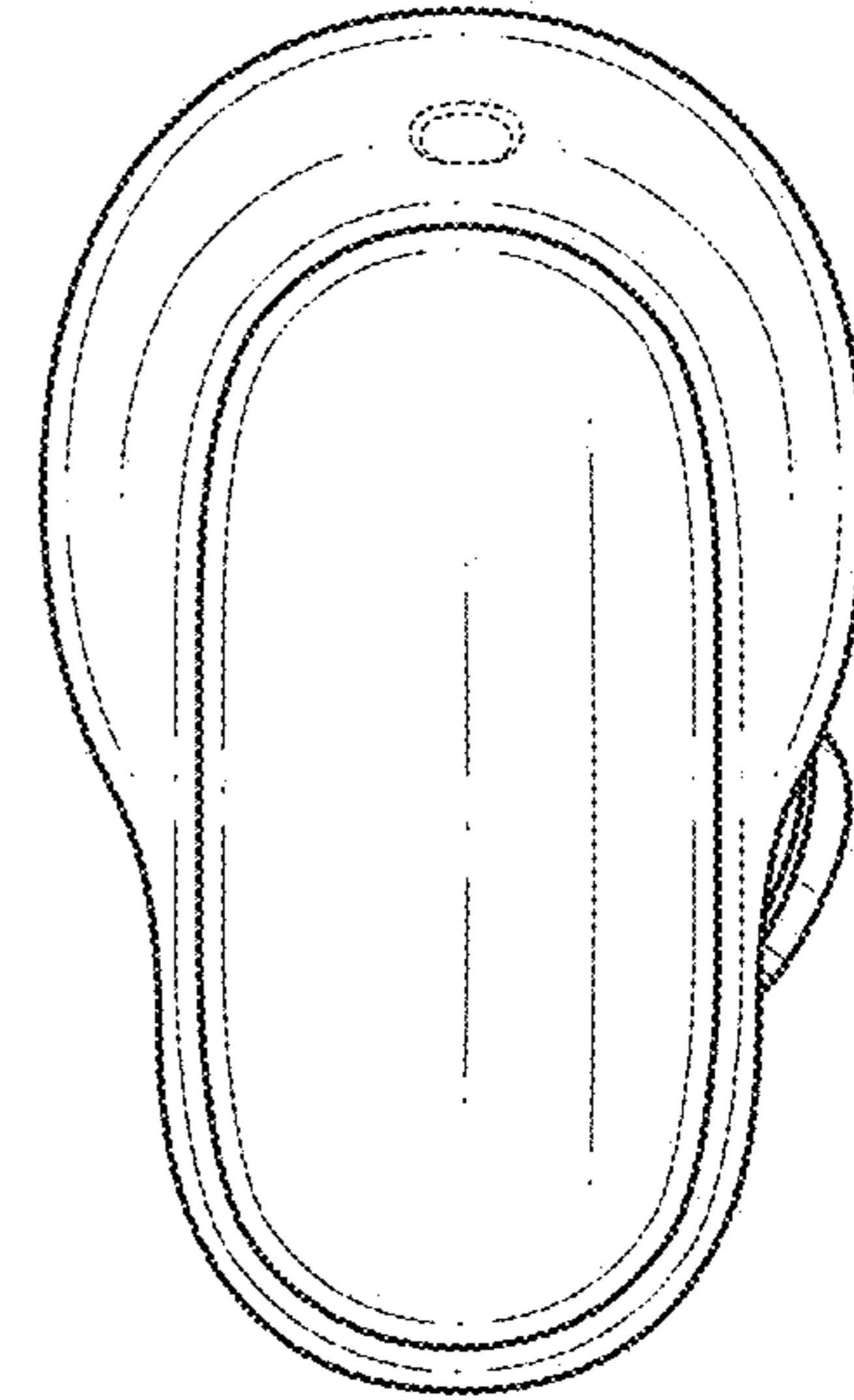


FIG. 5

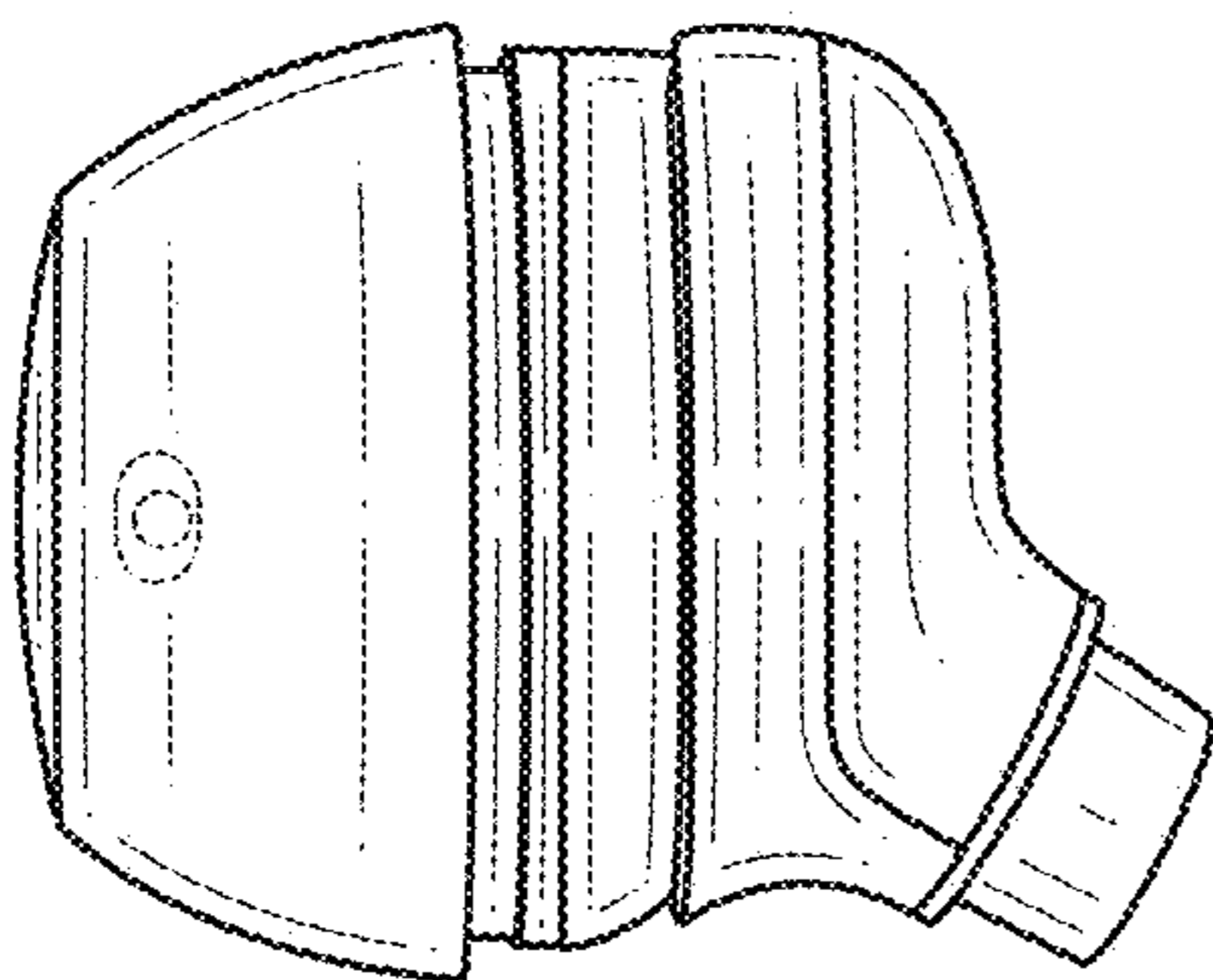


FIG. 6

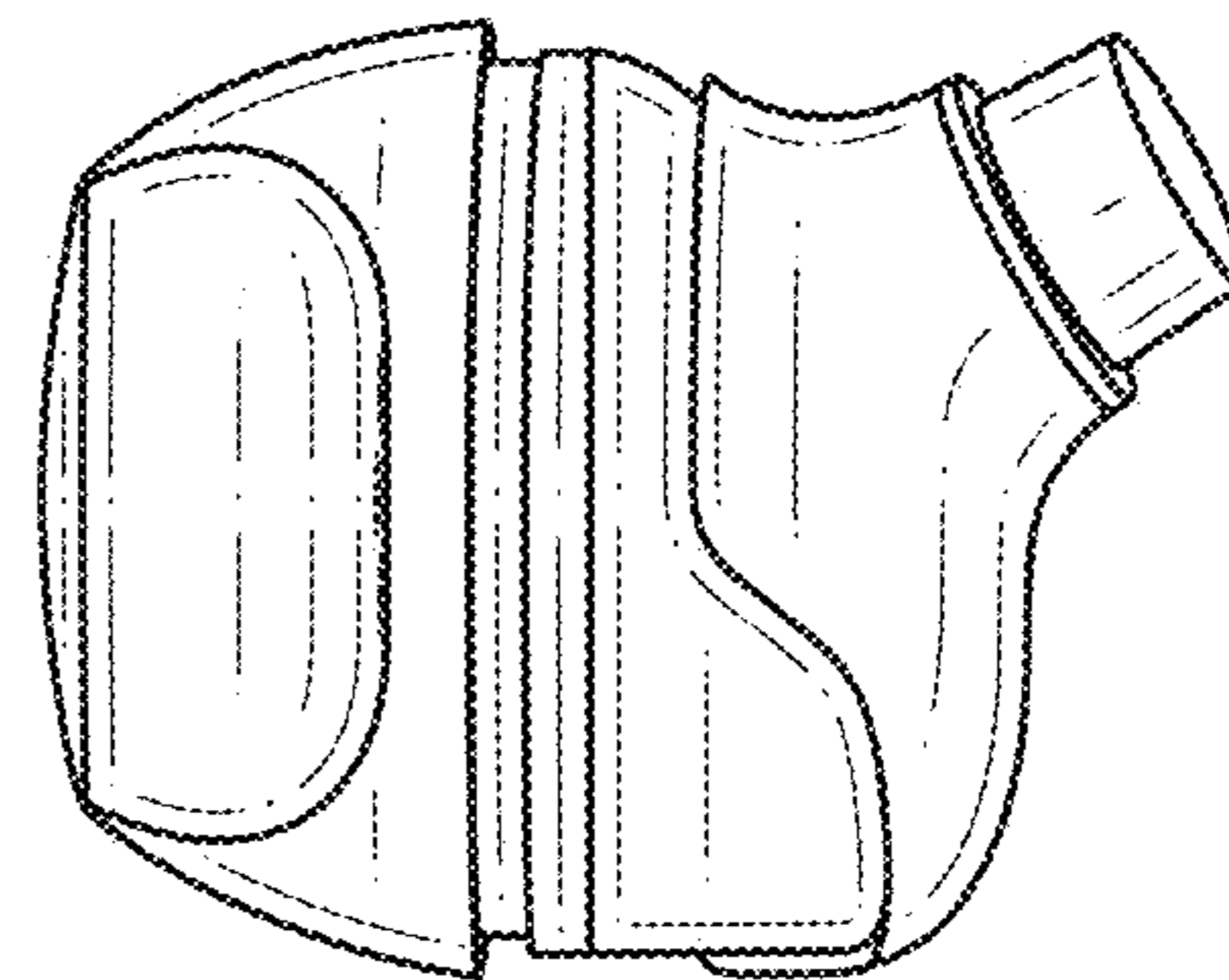


FIG. 7