



US00D980821S

(12) **United States Design Patent**
Bae et al.

(10) **Patent No.:** **US D980,821 S**
(45) **Date of Patent:** **** Mar. 14, 2023**

(54) **MAIN BODY FOR AUDIO PLAYER**

D795,259 S * 8/2017 Vaninetti D14/412
D890,185 S * 7/2020 Jetter D21/333
D914,693 S * 3/2021 Jetter D21/333
D940,115 S * 1/2022 Loidl D14/224

(71) Applicant: **LG ELECTRONICS INC.**, Seoul (KR)

(72) Inventors: **Jinwan Bae**, Seoul (KR); **Seungil Lee**, Seoul (KR); **Hophil Lee**, Seoul (KR); **Sanghyun Choi**, Seoul (KR)

(73) Assignee: **LG ELECTRONICS INC.**, Seoul (KR)

(**) Term: **15 Years**

(21) Appl. No.: **29/794,835**

(22) Filed: **Jun. 15, 2021**

(30) **Foreign Application Priority Data**

Jan. 4, 2021 (KR) 30-2021-0000178

(51) **LOC (14) Cl.** **14-01**

(52) **U.S. Cl.**
USPC **D14/215**

(58) **Field of Classification Search**
USPC D13/108; D14/204, 221, 400, 412, 413, D14/217, 215, 401, 216, 211, 432, 209, D14/454, 222; D21/333, 334
CPC .. H04R 1/026; H04R 2201/02; B60R 11/0217
See application file for complete search history.

(56) **References Cited**

U.S. PATENT DOCUMENTS

D426,515 S * 6/2000 Buckle D13/103
D540,395 S * 4/2007 Bailey D21/333
D558,767 S * 1/2008 Solland D14/400
D671,528 S * 11/2012 Fathollahi D14/216
D789,373 S * 6/2017 King D14/413
D791,740 S * 7/2017 Fuller D14/204

FOREIGN PATENT DOCUMENTS

WO WO215278001 * 6/2022

* cited by examiner

Primary Examiner — Khawaja Anwar

Assistant Examiner — Megan Tiana Rakos

(74) *Attorney, Agent, or Firm* — Birch, Stewart, Kolasch & Birch, LLP

(57) **CLAIM**

The ornamental design for a main body for audio player, as shown and described.

DESCRIPTION

FIG. 1 is a front, right side, perspective view of a main body for audio player showing our new design;
FIG. 2 is a front view thereof;
FIG. 3 is a rear view thereof;
FIG. 4 is a left side view thereof;
FIG. 5 is a right side view thereof;
FIG. 6 is a top view thereof;
FIG. 7 is a bottom view thereof; and,
FIG. 8 is a reference view showing speakers are installed on the claimed design.

The broken lines indicate portions of the article that form no part of the claimed design. The broken line showing of speakers is provided for the purpose of illustrating environmental structure and form no part of the claimed design.

1 Claim, 8 Drawing Sheets

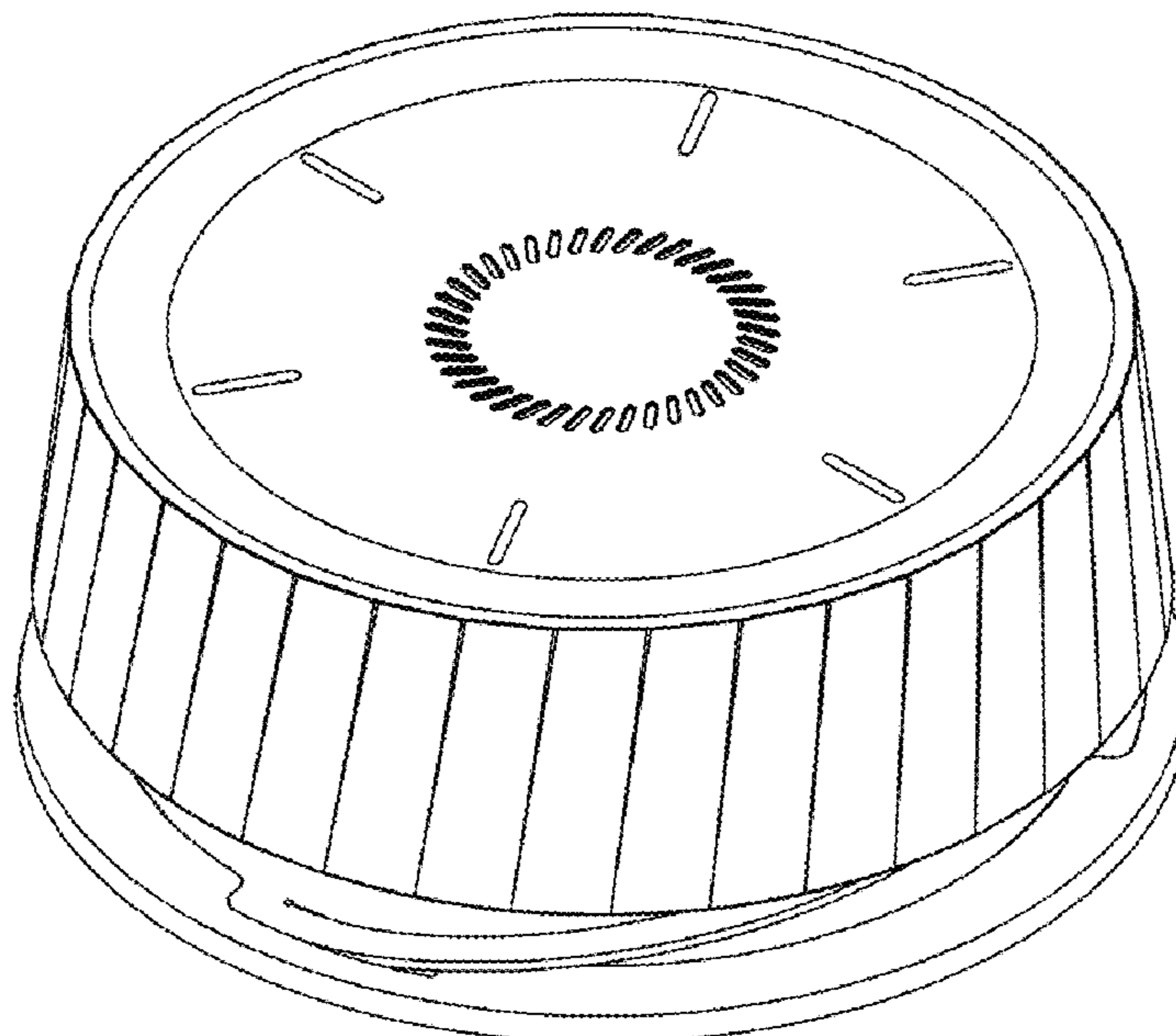


FIG. 1

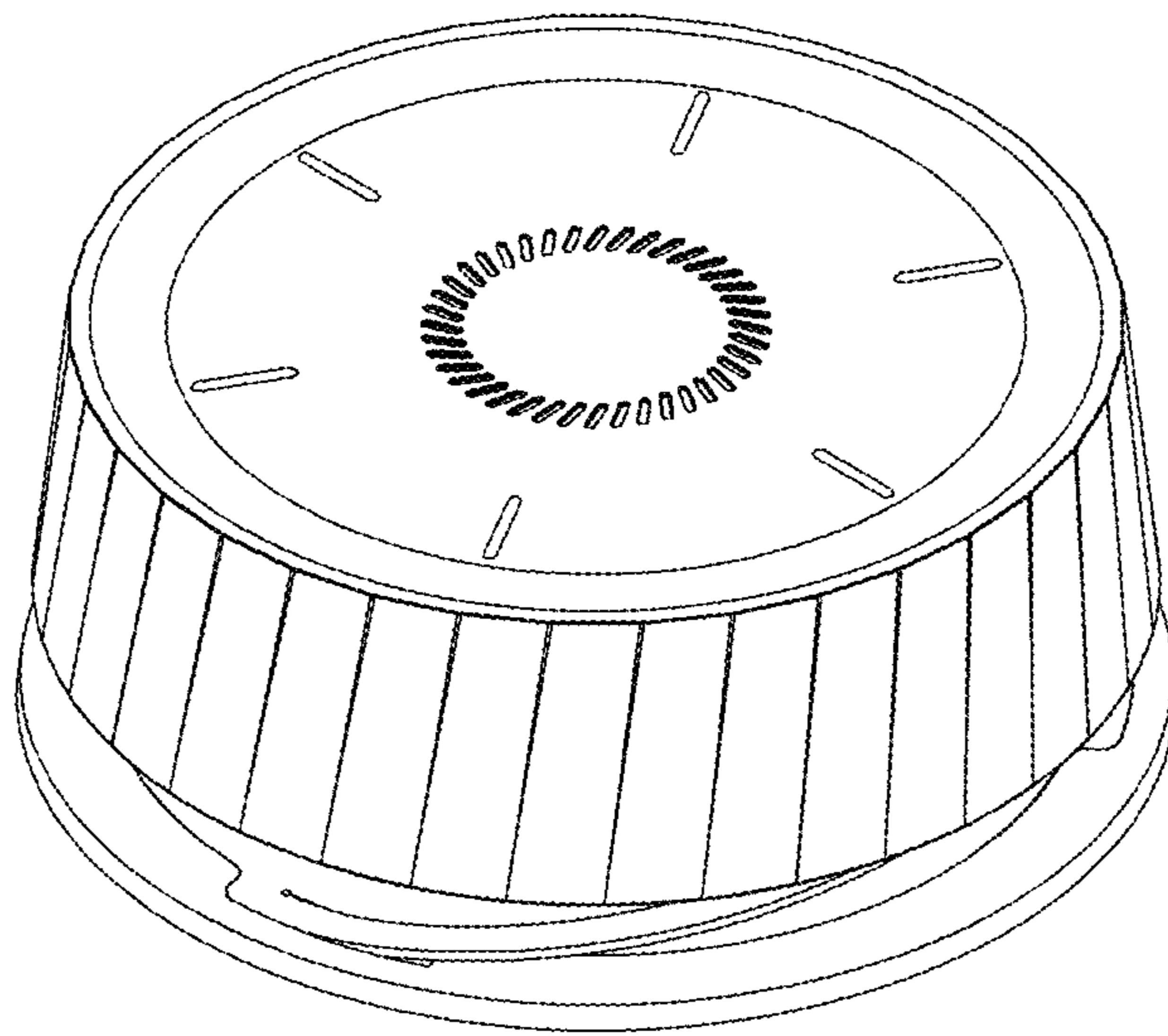


FIG. 2

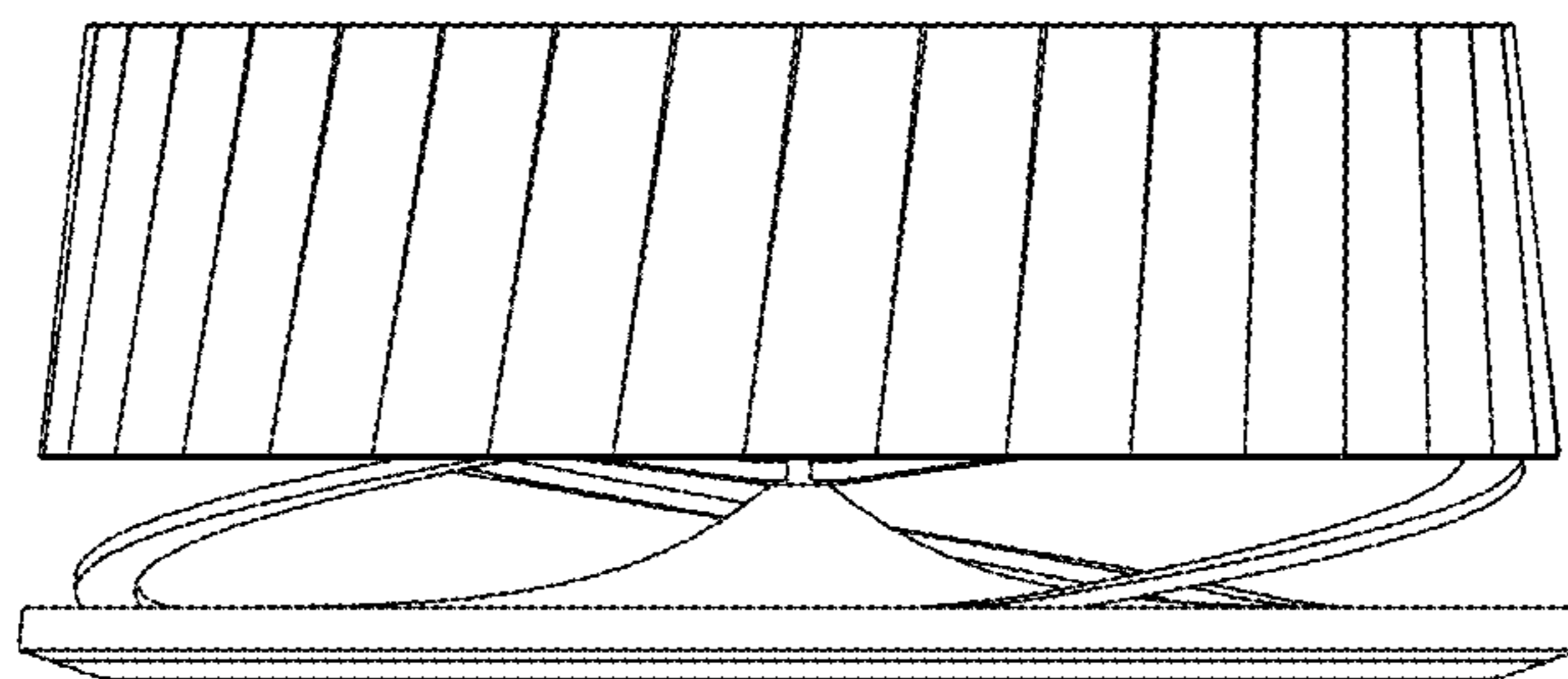


FIG. 3

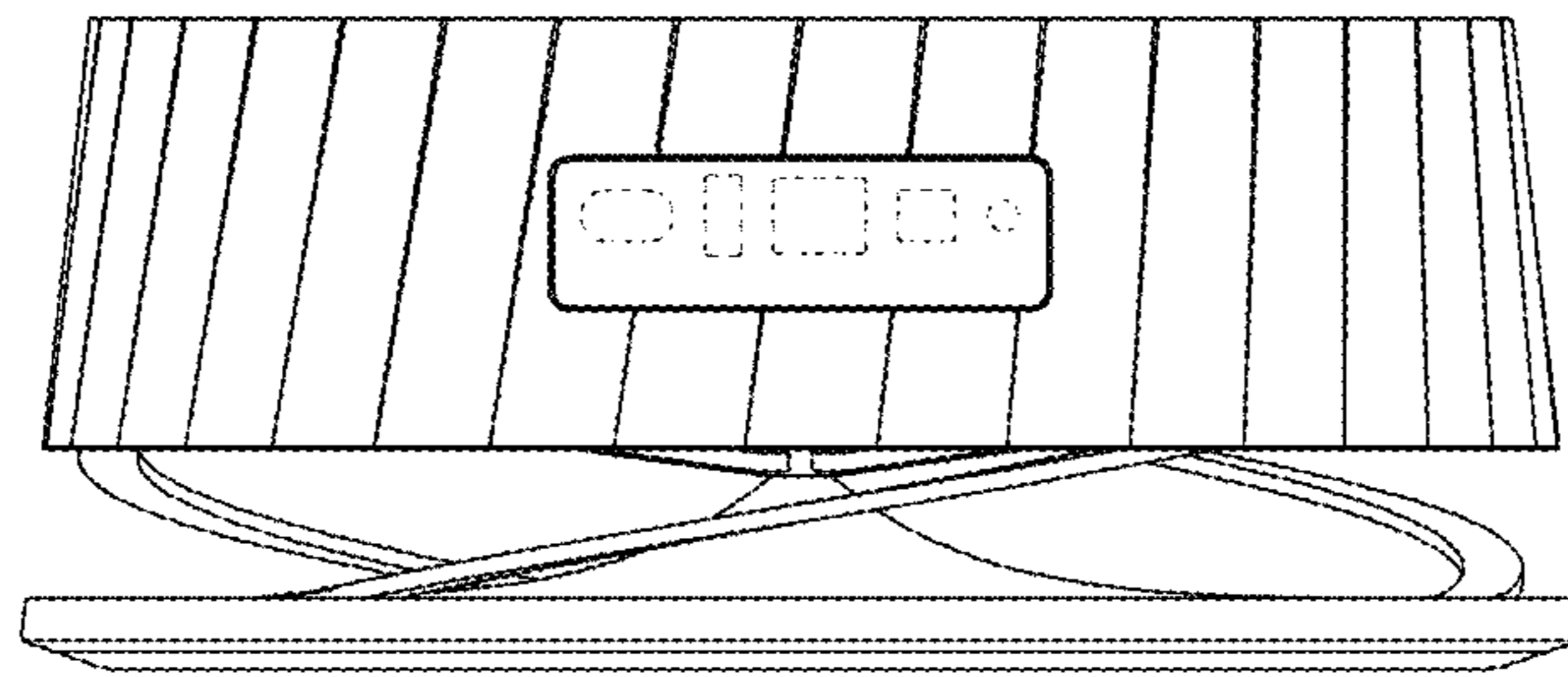


FIG. 4

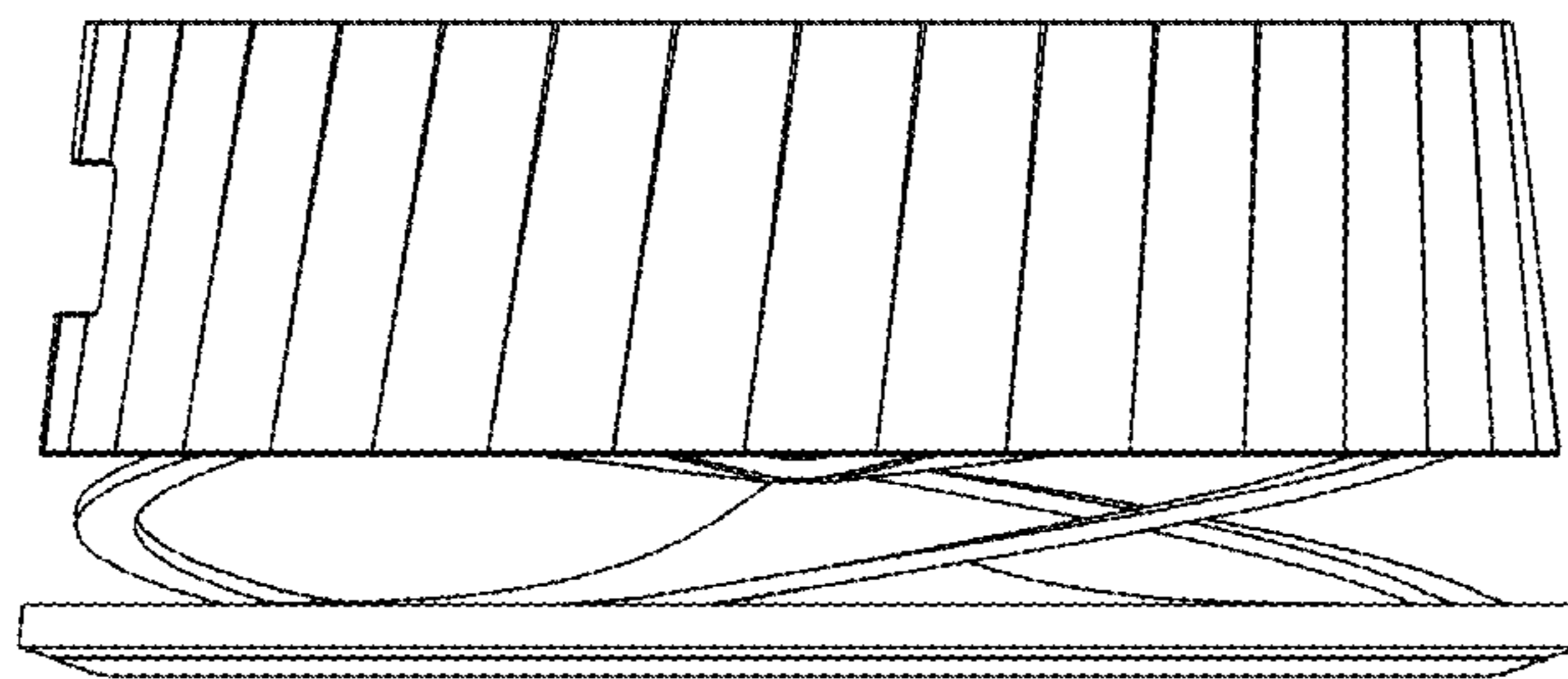


FIG. 5

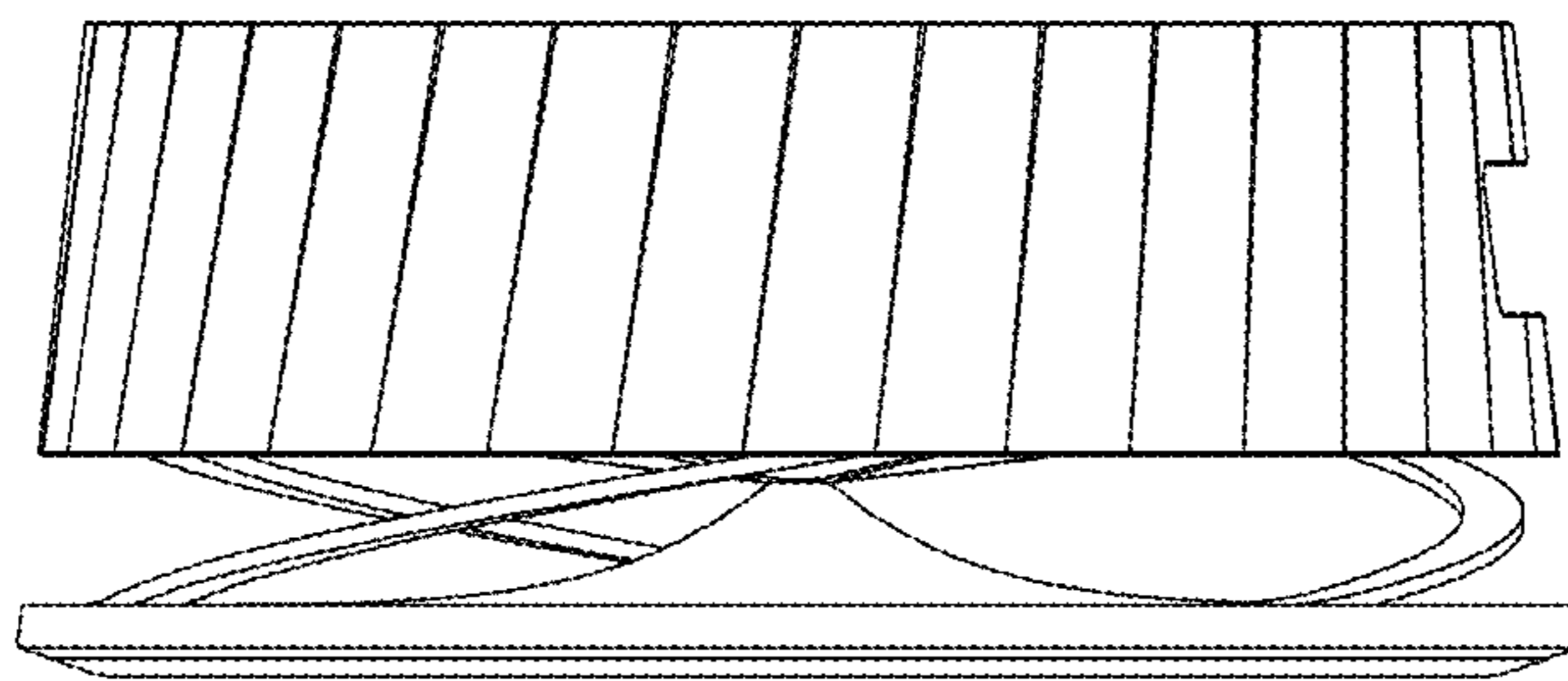


FIG. 6

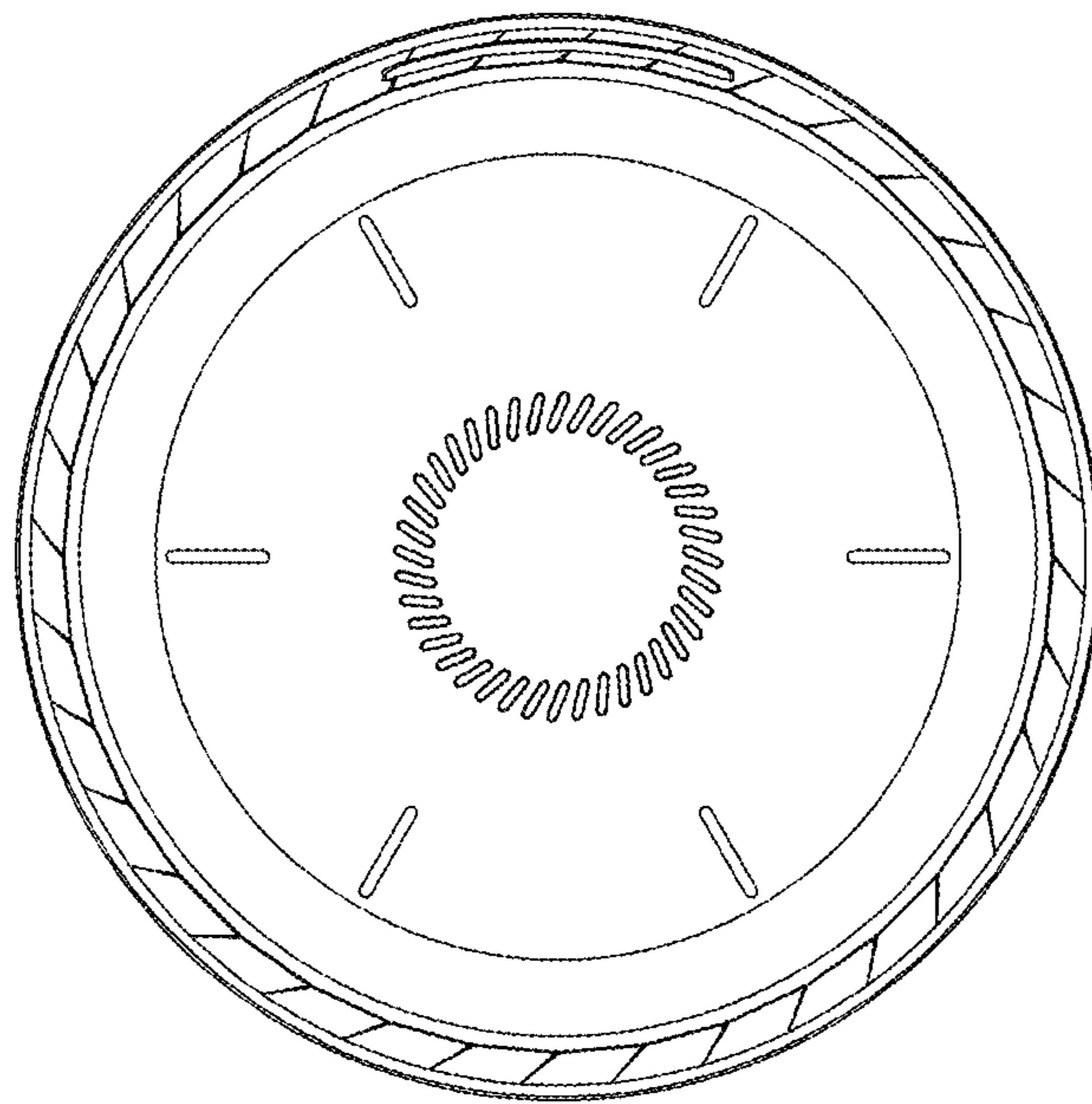


FIG. 7

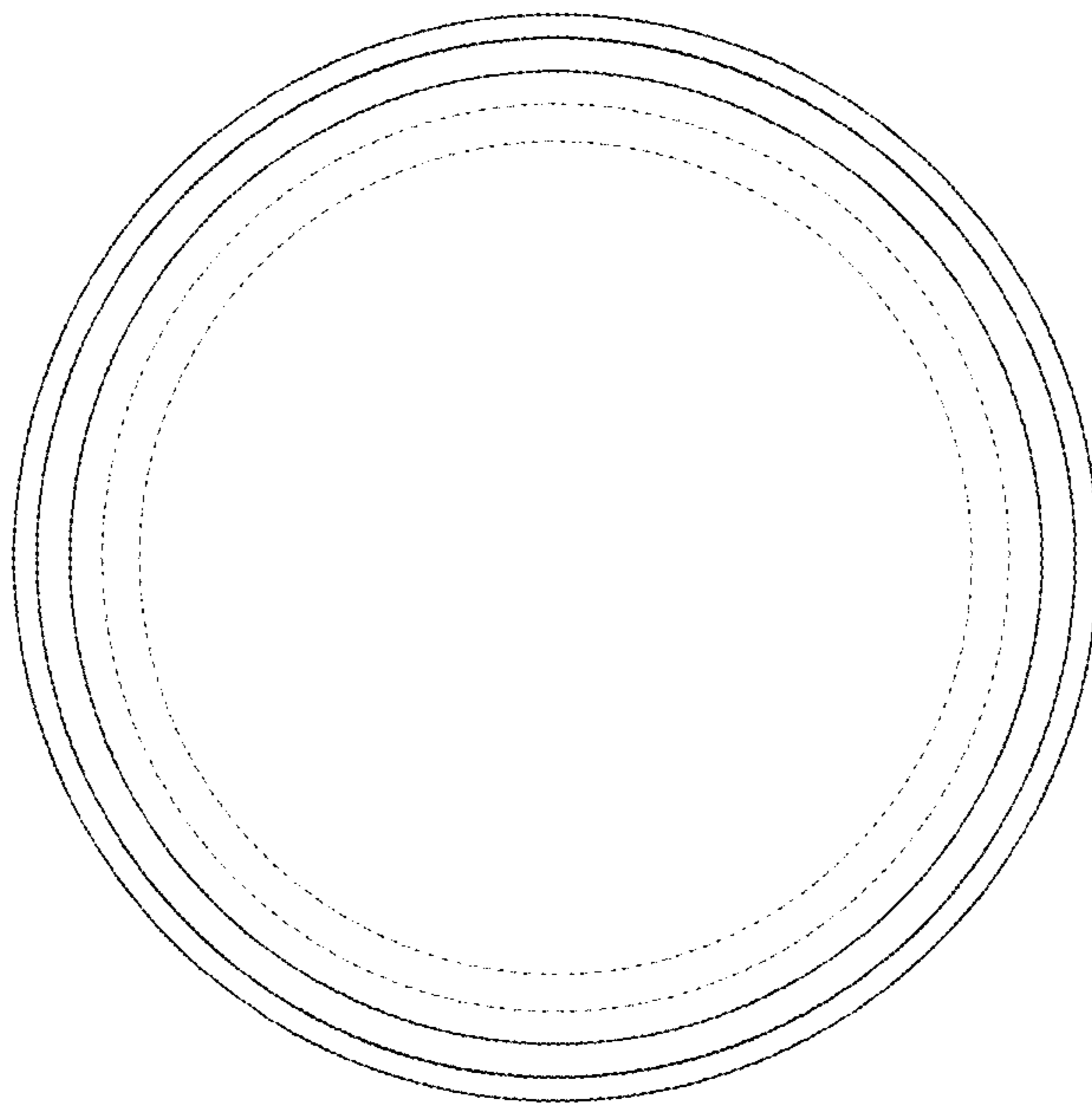


FIG. 8

