



US00D980820S

(12) **United States Design Patent**
Nevolo

(10) **Patent No.:** **US D980,820 S**
(45) **Date of Patent:** **** Mar. 14, 2023**

- (54) **SPEAKER BOX**
- (71) Applicant: **John Nevolo**, Thousand Oaks, CA (US)
- (72) Inventor: **John Nevolo**, Thousand Oaks, CA (US)
- (**) Term: **15 Years**
- (21) Appl. No.: **29/779,872**
- (22) Filed: **Apr. 21, 2021**
- (51) **LOC (14) Cl.** **14-01**
- (52) **U.S. Cl.**
USPC **D14/215**
- (58) **Field of Classification Search**
USPC ... D14/240, 204, 356, 209.1, 215, 188, 195,
D14/210, 214, 170; D10/106.2, 106.1
CPC H02J 7/0042; H04R 1/02; H04R 1/026;
H04R 9/06
See application file for complete search history.

D741,838 S	10/2015	Dorman	
D789,326 S *	6/2017	Hinokio	D14/204
D795,216 S *	8/2017	Poandl	D14/188
D864,910 S *	10/2019	Peace, Jr.	D14/215
D894,148 S *	8/2020	Li	D14/204
D894,149 S *	8/2020	Li	D14/204
D945,979 S *	3/2022	Lu	D14/204

* cited by examiner

Primary Examiner — Khawaja Anwar
Assistant Examiner — Megan Tiana Rakos
 (74) *Attorney, Agent, or Firm* — Nolan Heimann LLP;
 Adam Diament

(57) **CLAIM**

The ornamental design for a speaker box, as shown and described.

DESCRIPTION

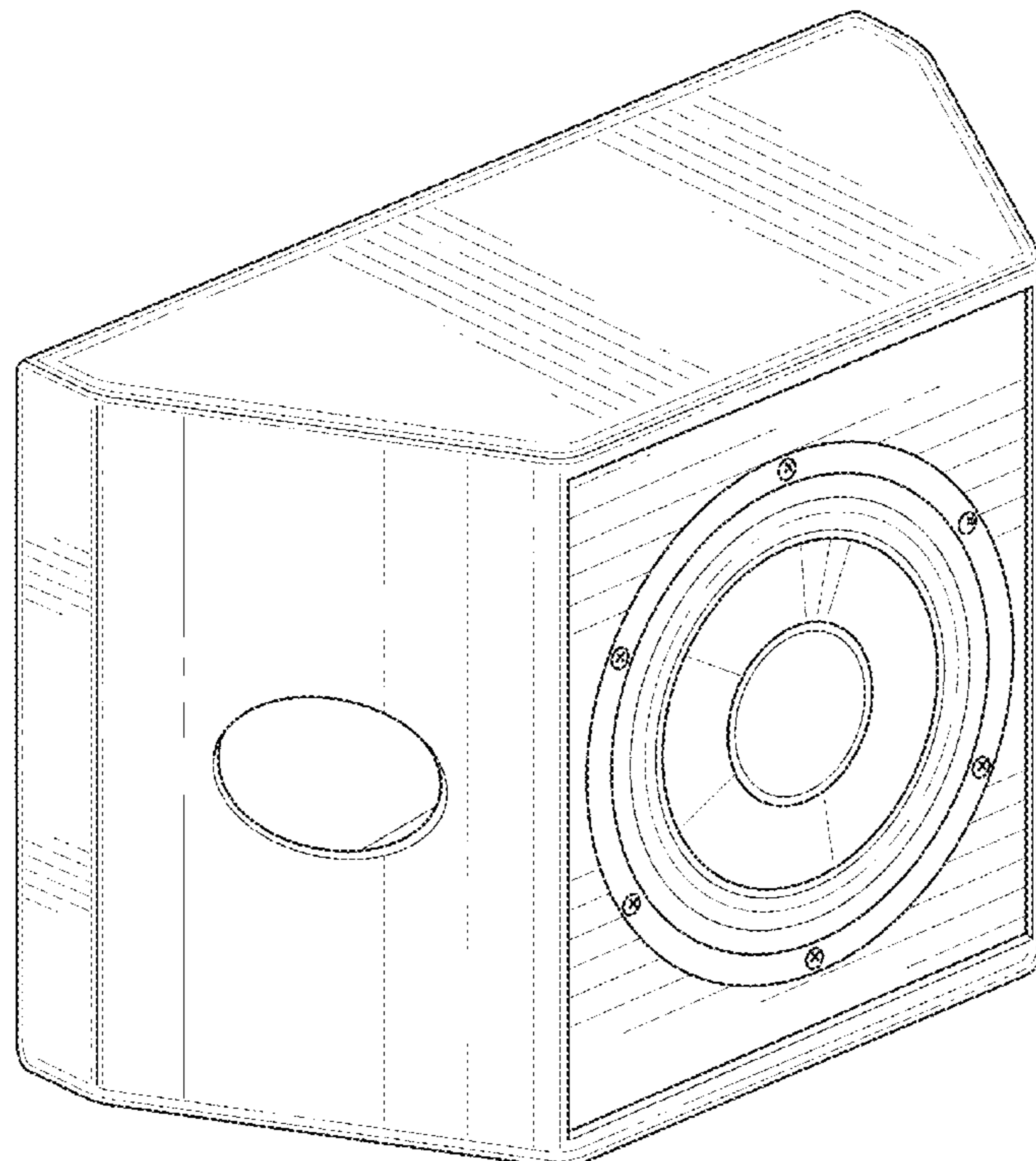
FIG. 1 is a perspective view of a speaker box of my new design;
 FIG. 2 is a front view of the speaker box shown in FIG. 1;
 FIG. 3 is a rear view of the speaker box shown in FIG. 1;
 FIG. 4 is a left side view of the speaker box shown in FIG. 1;
 FIG. 5 is a right side view of the speaker box shown in FIG. 1;
 FIG. 6 is a top view of the speaker box shown in FIG. 1; and,
 FIG. 7 is a bottom view of the speaker box shown in FIG. 1.
 The broken line portions of the disclosure are for illustrative purposes only and form no part of the claimed design.

1 Claim, 5 Drawing Sheets

(56) **References Cited**

U.S. PATENT DOCUMENTS

4,221,929 A *	9/1980	Fukuda	H04R 1/025 181/175
D315,737 S *	3/1991	Hall	D14/210
D336,474 S *	6/1993	Hall	D14/214
D353,378 S	12/1994	Lewis	
5,452,025 A *	9/1995	Koizumi	H04N 5/642 381/388
D397,116 S	8/1998	Tatsumi	
D544,466 S	6/2007	Pincek	
D673,527 S *	1/2013	Davies	D14/215
D680,098 S *	4/2013	Davies	D14/215
D685,765 S *	7/2013	Yagihashi	D14/215



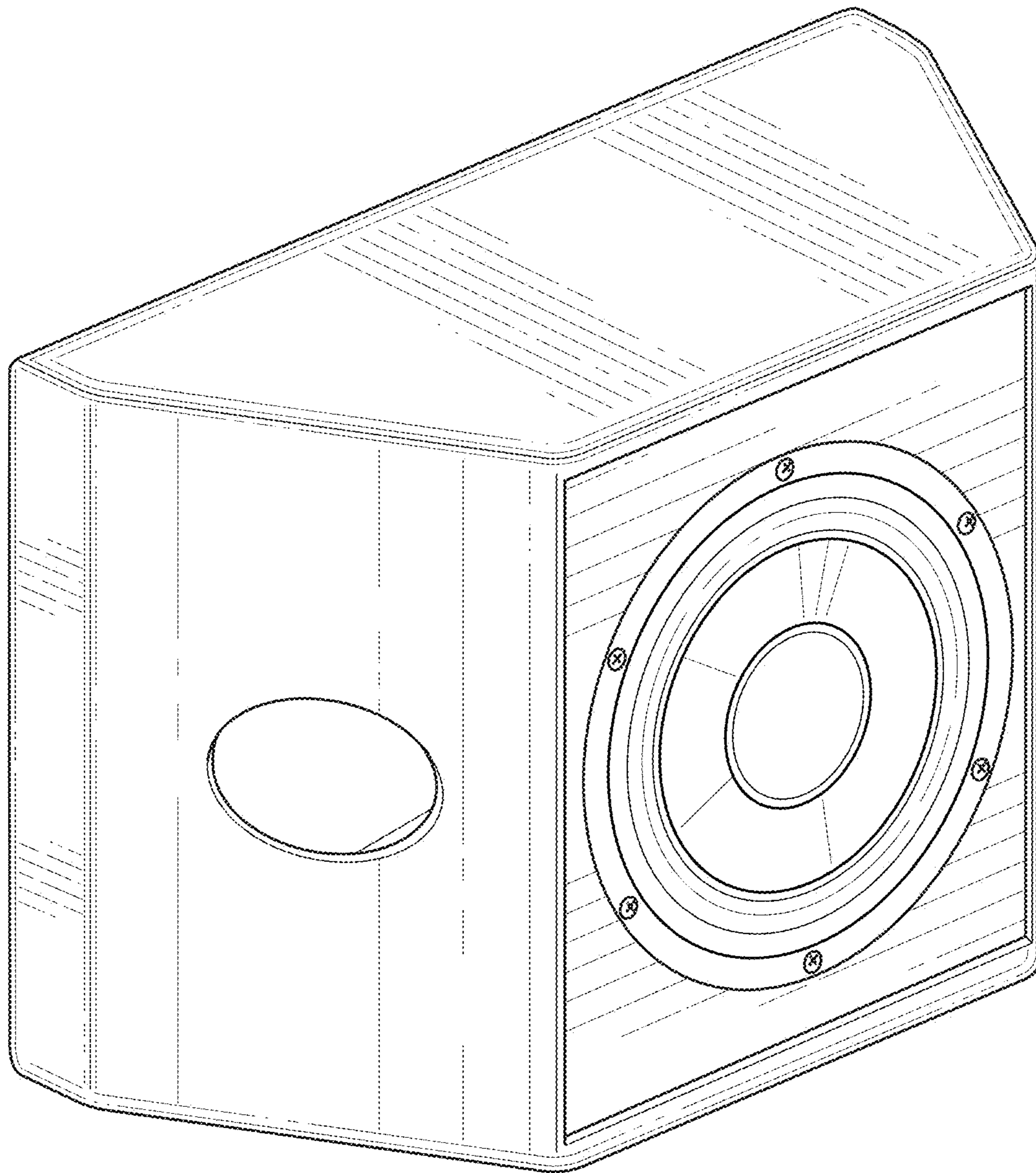


FIG. 1

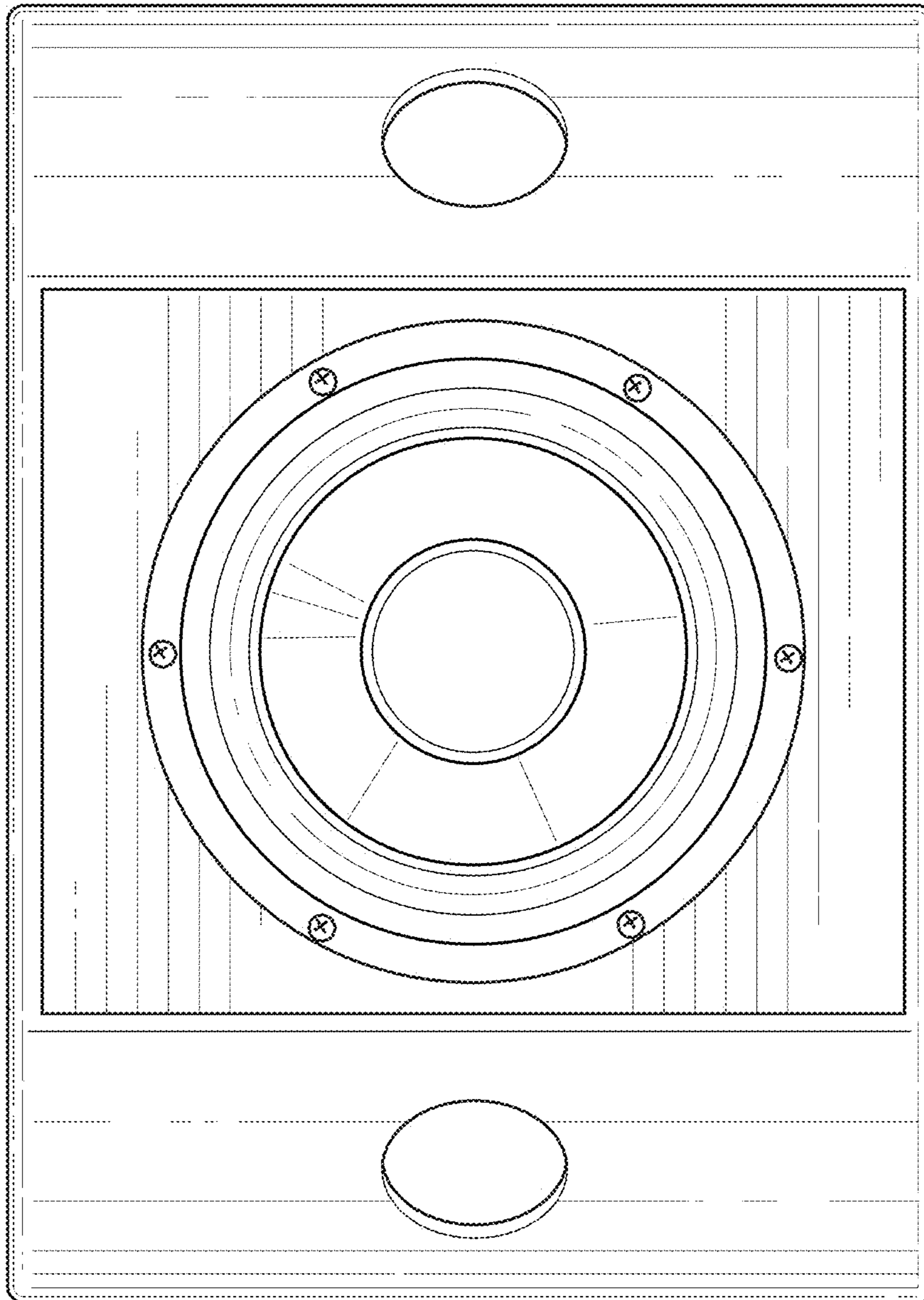


FIG. 2

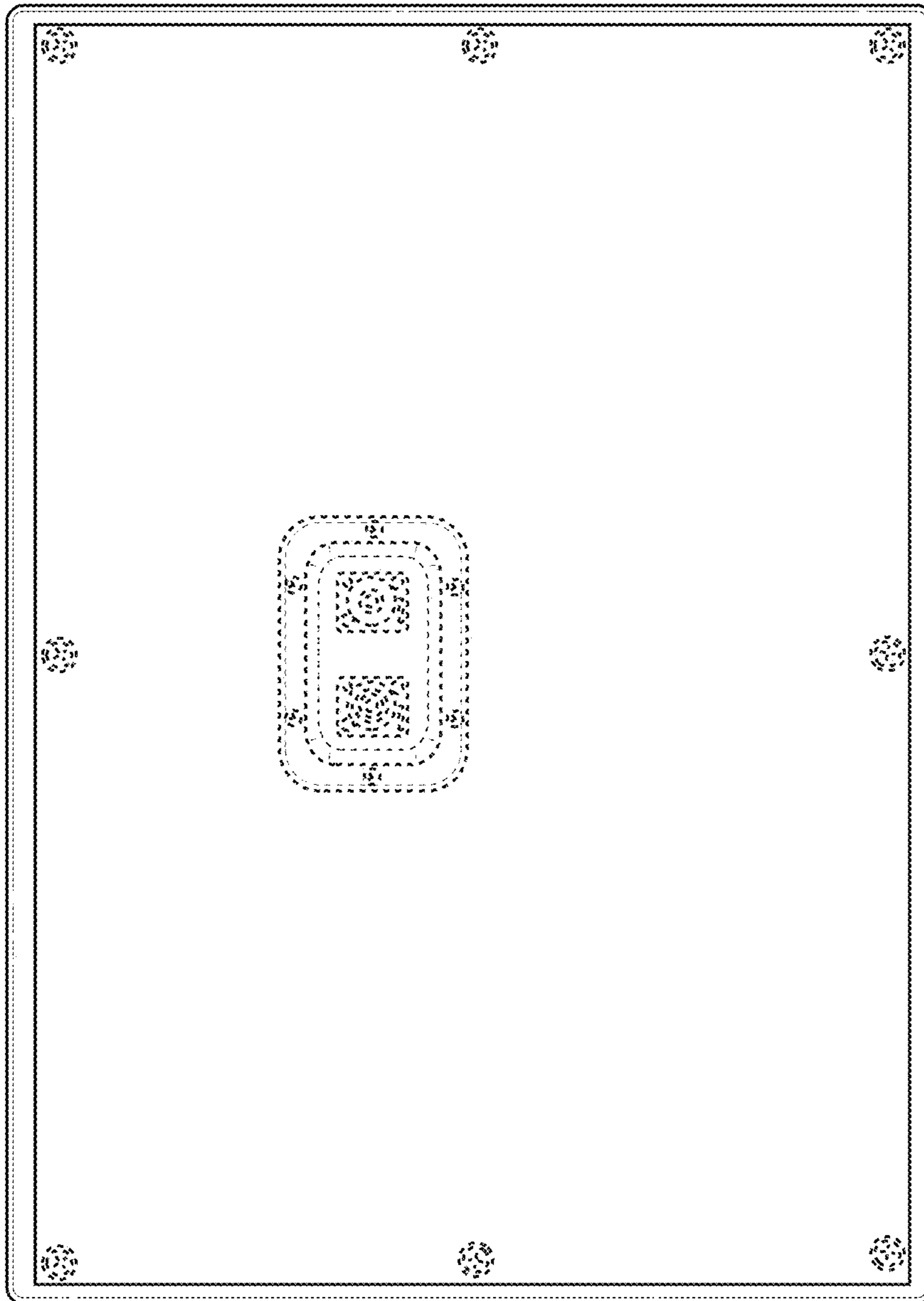


FIG. 3

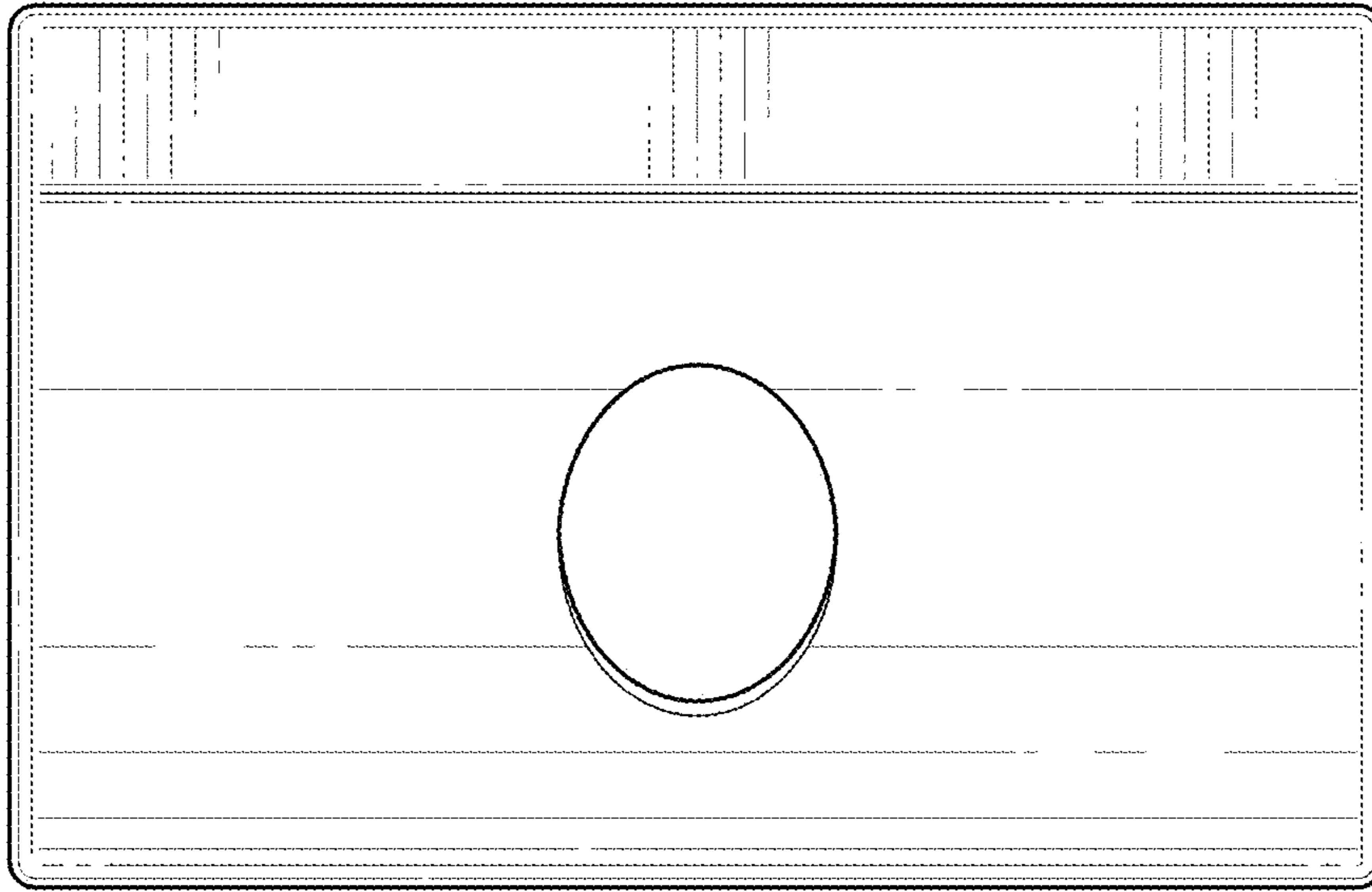


FIG. 5

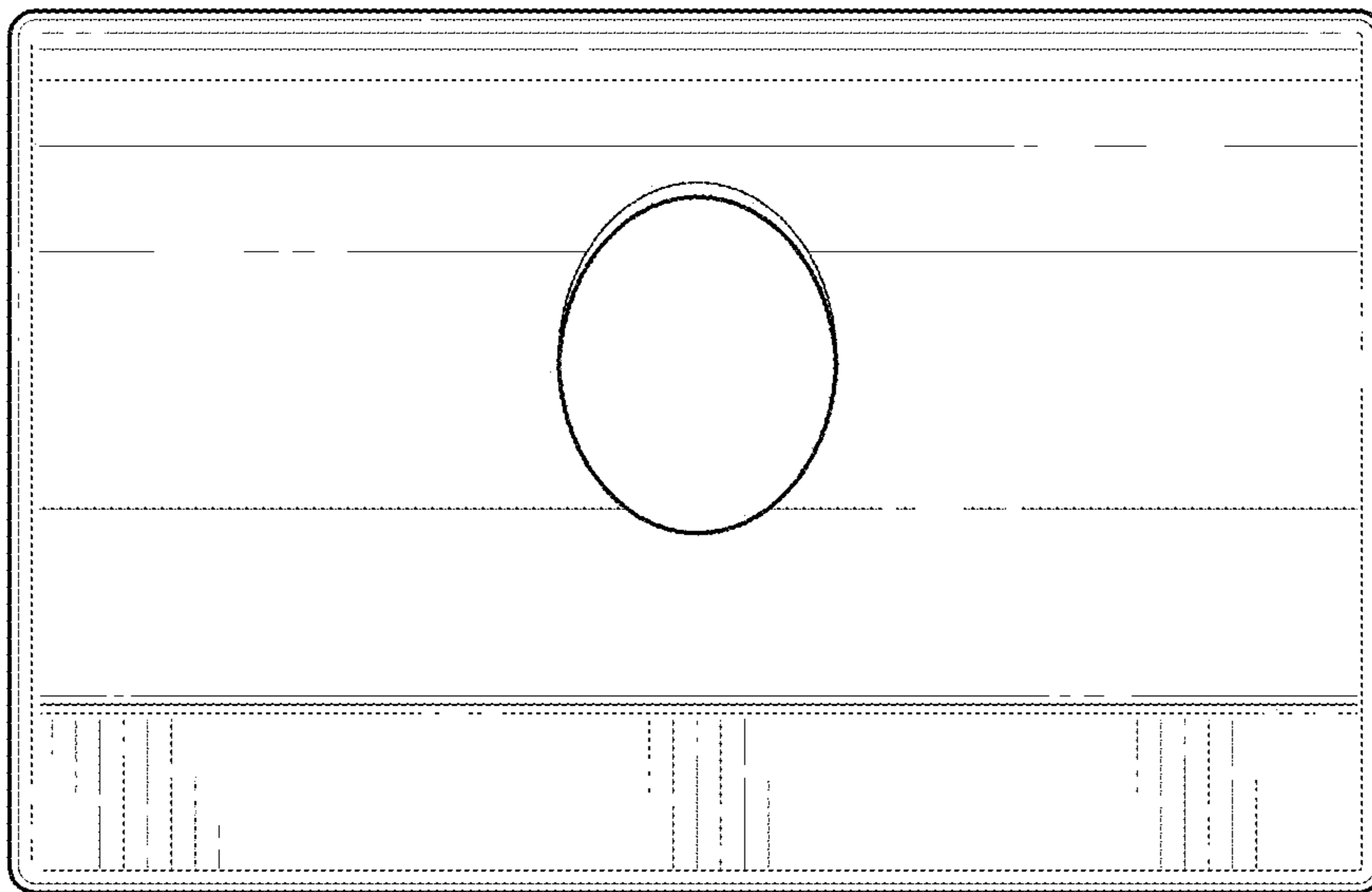


FIG. 4

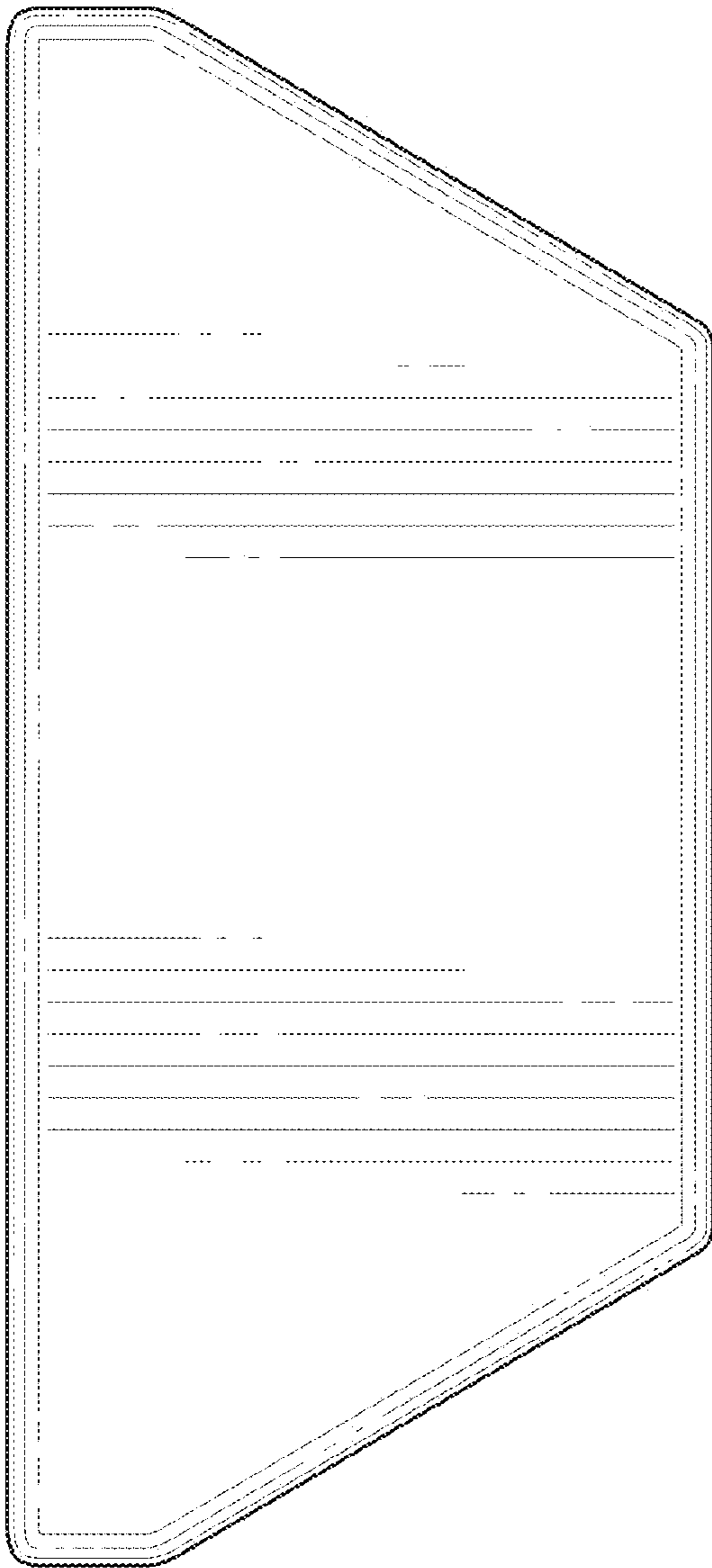


FIG. 6

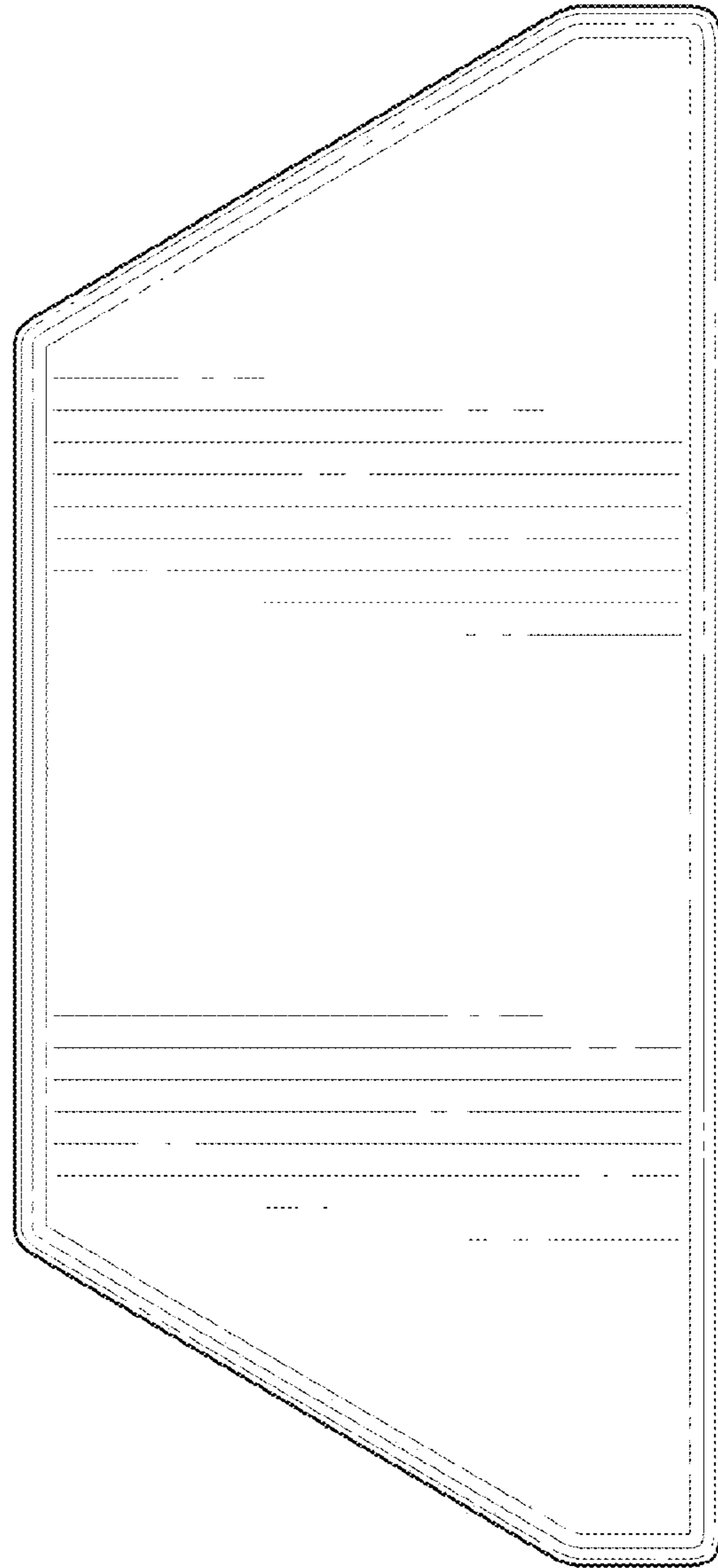


FIG. 7