



US00D980819S

(12) **United States Design Patent** (10) **Patent No.:** **US D980,819 S**
Bellham et al. (45) **Date of Patent:** **** *Mar. 14, 2023**

(54) **HEADPHONES**

(56) **References Cited**

(71) Applicant: **GN AUDIO A/S**, Ballerup (DK)

U.S. PATENT DOCUMENTS

(72) Inventors: **Philip Bellham**, Ballerup (DK);
Rasmus Trudslev Pedersen, Ballerup (DK); **Bill Zeng**, Ballerup (DK)

| | | | |
|--------------|---------|------------------|---------|
| 2,437,049 A | 3/1948 | Henry et al. | |
| 3,454,964 A | 7/1969 | Brinkhoff | |
| D246,242 S | 11/1977 | Bellini | |
| D299,337 S | 1/1989 | Wiegel | |
| D328,461 S | 8/1992 | Daido et al. | |
| 6,560,346 B2 | 5/2003 | Ohta et al. | |
| 6,970,572 B2 | 11/2005 | Murozaki et al. | |
| D517,528 S | 3/2006 | Skulley | |
| D518,479 S | 4/2006 | Skulley | |
| D530,307 S | 10/2006 | Rath | |
| D531,165 S | 10/2006 | Rath | |
| 7,172,052 B2 | 2/2007 | Lenhard-Backhaus | |
| D549,688 S * | 8/2007 | Suzuki | D14/205 |
| D588,098 S * | 3/2009 | Kurihara | D14/205 |

(73) Assignee: **GN AUDIO A/S**, Ballerup (DK)

(*) Notice: This patent is subject to a terminal disclaimer.

(**) Term: **15 Years**

(21) Appl. No.: **29/829,464**

(Continued)

(22) Filed: **Mar. 4, 2022**

FOREIGN PATENT DOCUMENTS

| | | | |
|----|----------------|---|--------|
| EM | 006884623-0001 | * | 9/2019 |
| EM | 008190300-0001 | * | 9/2020 |

(Continued)

Related U.S. Application Data

(63) Continuation of application No. 29/738,537, filed on Jun. 18, 2020, now Pat. No. Des. 956,013.

Primary Examiner — Paula Allen Greene

(74) *Attorney, Agent, or Firm* — Hamre, Schumann, Mueller & Larson, P.C.

(30) **Foreign Application Priority Data**

Dec. 19, 2019 (EM) 007433701

(51) **LOC (14) Cl.** **14-01**

(52) **U.S. Cl.**
USPC **D14/206**

(58) **Field of Classification Search**

USPC D14/206, 205; D29/112; 2/209;
381/380-381, 370, 374
CPC H04R 25/00; H04R 25/02; H04R 1/08;
H04R 1/10; H04R 1/1066; H04R 1/1016;
H04R 1/1083; H04R 1/105; H04R 5/033;
H04R 5/0335; H04R 1/1091; H04R
19/04; H04R 11/06

See application file for complete search history.

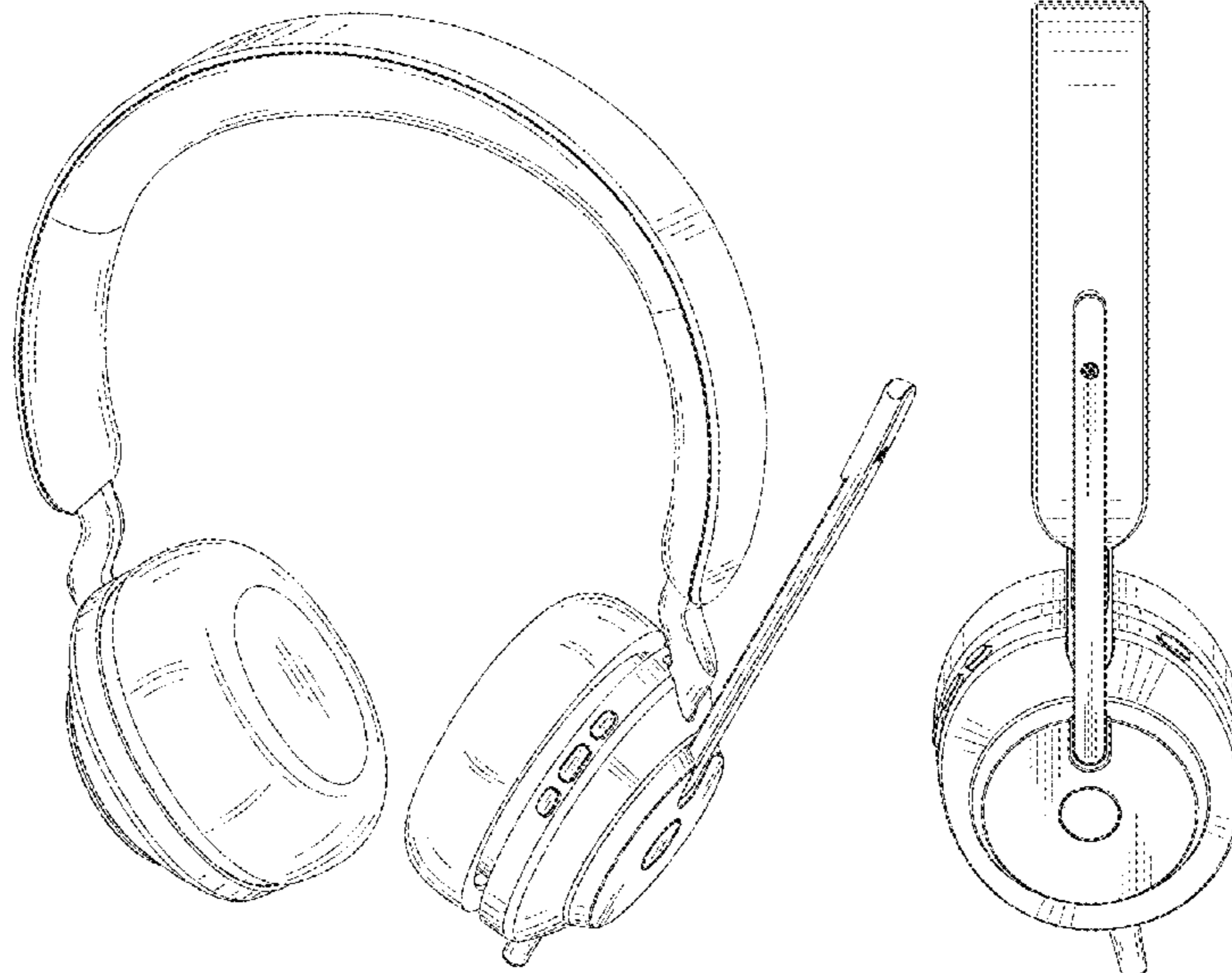
(57) **CLAIM**

The ornamental design for a headphones, as shown and described.

DESCRIPTION

FIG. 1 is a top perspective view of the headphones.
FIG. 2 is a front view thereof.
FIG. 3 is a back view thereof.
FIG. 4 is a left view thereof.
FIG. 5 is a right view thereof.
FIG. 6 is a top view thereof; and,
FIG. 7 is a bottom view thereof.
The features shown in broken lines depict environmental subject matter only and form no part of the claimed design.

1 Claim, 6 Drawing Sheets



(56)

References Cited

U.S. PATENT DOCUMENTS

D601,543 S 10/2009 Bentley
 D602,001 S 10/2009 Bentley
 D603,370 S * 11/2009 Suzuki D14/205
 D628,189 S 11/2010 Rath
 D634,732 S * 3/2011 Kondo D14/205
 D641,003 S 7/2011 Alden
 D643,405 S 8/2011 Rath
 D653,649 S 2/2012 Yang et al.
 D654,471 S 2/2012 Fischer
 D654,472 S 2/2012 Fischer
 D662,080 S 6/2012 Carr et al.
 D666,168 S 8/2012 Rath
 D667,388 S 9/2012 Kelley
 8,295,529 B2 * 10/2012 Petersen H04R 1/083
 381/374
 D691,113 S 10/2013 Gougherty et al.
 D707,655 S 6/2014 Porter
 D709,860 S 7/2014 Brunner et al.
 8,774,442 B2 7/2014 Huang
 D711,348 S 8/2014 Yang
 D715,762 S 10/2014 Chong et al.
 D716,258 S 10/2014 Awiszus et al.
 D716,259 S 10/2014 Awiszus et al.
 D716,760 S 11/2014 Brunner et al.
 D722,998 S * 2/2015 Sancho D14/205
 D724,561 S 3/2015 Ko
 D725,074 S 3/2015 Boeckel et al.
 D725,628 S 3/2015 Tompkin
 D727,286 S 4/2015 Galler
 D728,512 S 5/2015 Nakagawa
 9,036,849 B2 5/2015 Thompson
 D732,503 S 6/2015 Brunner et al.
 D739,842 S * 9/2015 Birger D14/205
 D759,626 S 6/2016 Wagner
 D764,435 S 8/2016 Brunner et al.
 9,426,554 B2 8/2016 Dai et al.
 D768,110 S * 10/2016 Suzuki D14/205
 D775,104 S 12/2016 Lee et al.
 D777,701 S 1/2017 Czaniecki
 D778,874 S 2/2017 Lin et al.

D782,999 S 4/2017 Spio
 9,706,281 B2 7/2017 Vazquez
 D838,687 S 1/2019 Wu
 D842,267 S * 3/2019 Pedersen D14/205
 D843,349 S 3/2019 Burgess et al.
 D854,513 S 7/2019 Miyake et al.
 D864,156 S 10/2019 Liu
 D870,069 S * 12/2019 Hu D14/206
 D875,073 S 2/2020 Pedersen
 D877,714 S 3/2020 Dhondt et al.
 D881,843 S 4/2020 Hu
 D897,309 S 9/2020 Cho et al.
 D913,988 S 3/2021 Bellham
 D924,840 S 7/2021 Pedersen
 D927,451 S * 8/2021 Paterson D14/206
 D928,114 S 8/2021 Terazaki
 D937,805 S * 12/2021 Bellham D14/205
 D942,414 S 2/2022 Liu
 D944,765 S * 3/2022 Bellham D14/206
 D945,981 S * 3/2022 Rois D14/205
 D950,520 S * 5/2022 Yan D14/206
 D951,907 S * 5/2022 Bellham D14/206
 D952,599 S * 5/2022 Bellham D14/206
 D952,600 S * 5/2022 Bellham D14/206
 D956,013 S * 6/2022 Bellham D14/206
 D969,774 S * 11/2022 Bellham D14/205
 2005/0238189 A1 10/2005 Tsai
 2009/0238397 A1 9/2009 Reiss et al.
 2010/0040252 A1 2/2010 Thompson et al.
 2011/0142249 A1 6/2011 Shinozaki
 2011/0194721 A1 8/2011 Schmidt et al.
 2012/0328119 A1 12/2012 Heise
 2014/0153766 A1 7/2014 Huang
 2020/0389719 A1 12/2020 Morris et al.

FOREIGN PATENT DOCUMENTS

EM 008207286-0001 10/2020
 EM 008274146-0001 11/2020
 GB 6102171 9/2020
 GB 6142504 * 6/2021
 JP D1529614 7/2015

* cited by examiner



FIG. 1



FIG. 2



FIG. 3

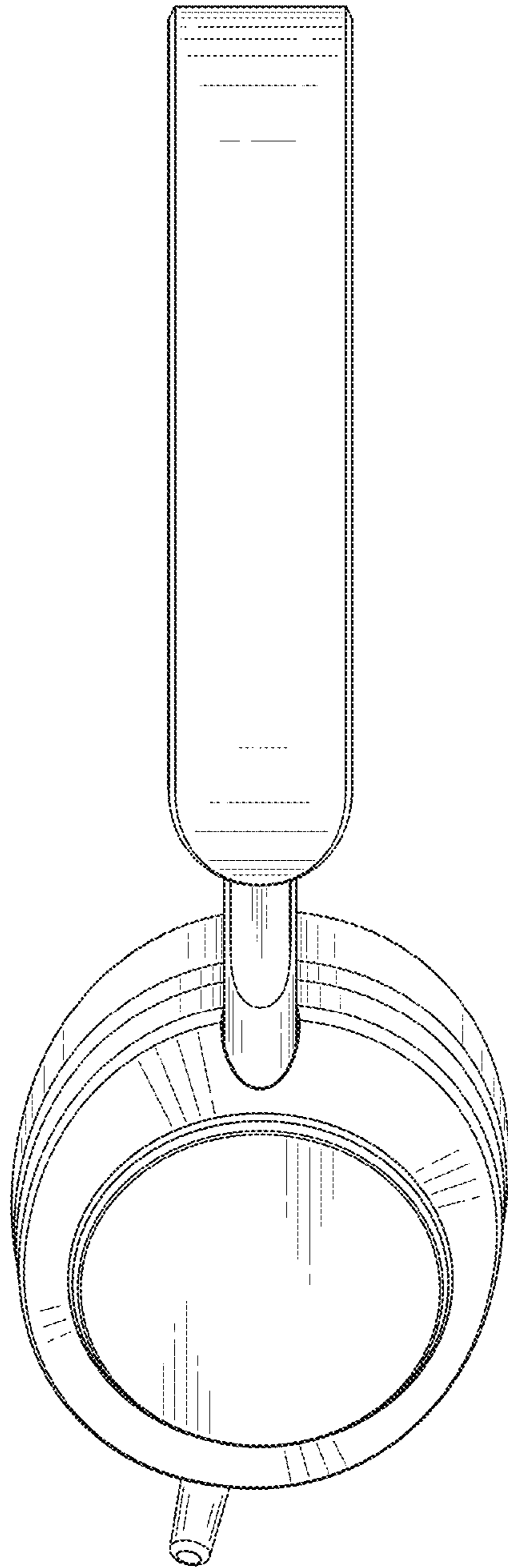


FIG. 4

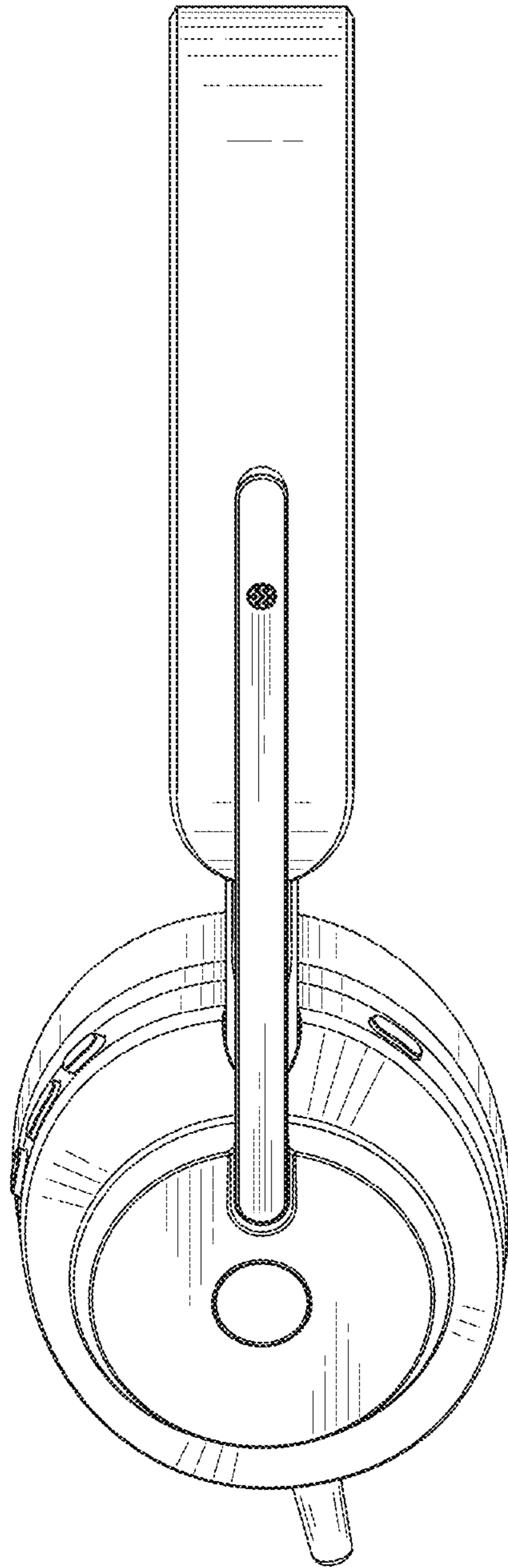


FIG. 5

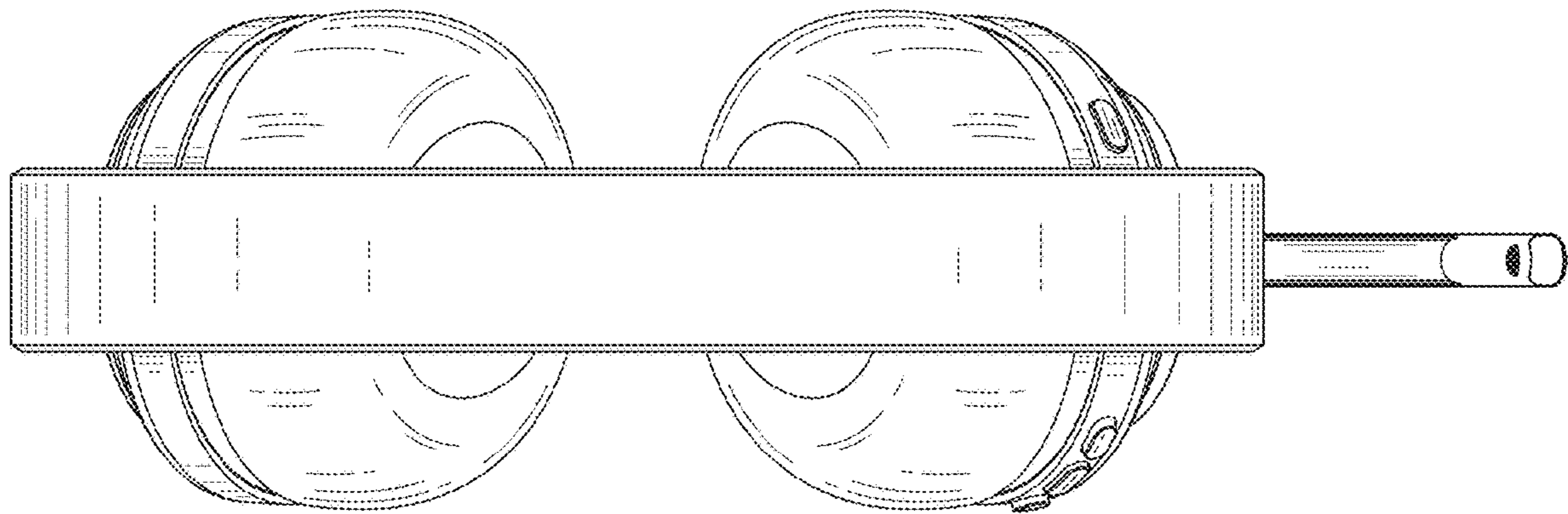


FIG. 6

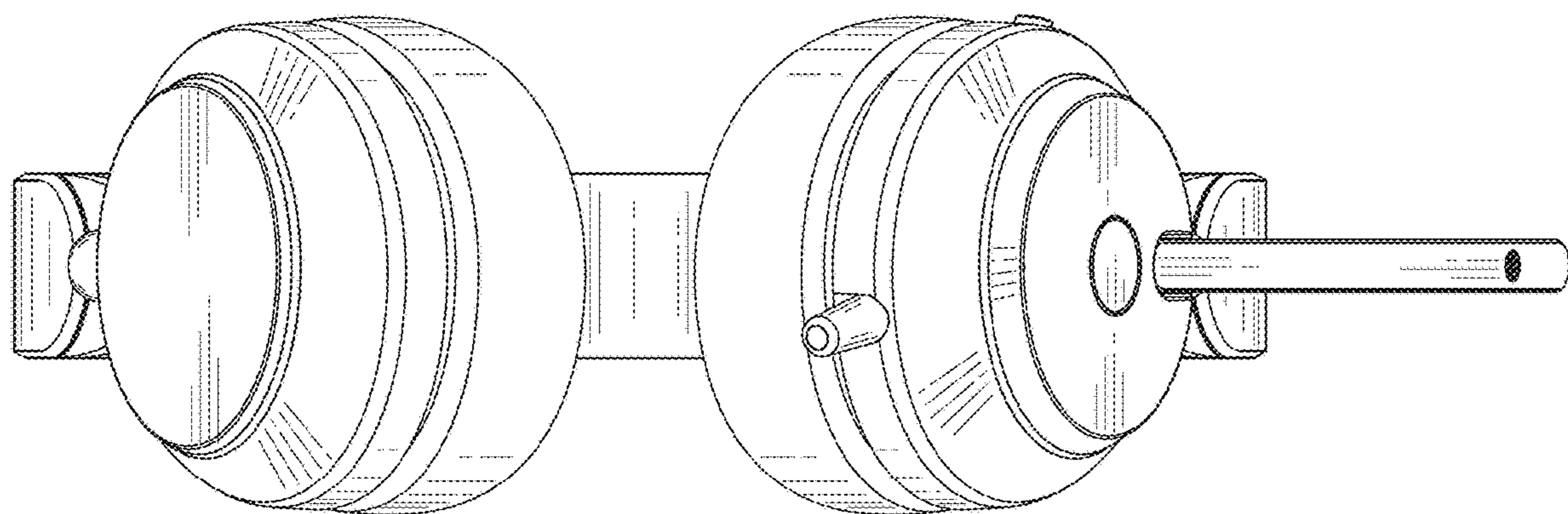


FIG. 7