



US00D980818S

(12) **United States Design Patent** (10) **Patent No.:** **US D980,818 S**
Li (45) **Date of Patent:** **** Mar. 14, 2023**

(54) **COMBINATION SPEAKER AND STAND FOR ELECTRONIC DEVICE**

(71) Applicant: **Mingqing Li**, Guangdong (CN)

(72) Inventor: **Mingqing Li**, Guangdong (CN)

(**) Term: **15 Years**

(21) Appl. No.: **29/852,524**

(22) Filed: **Sep. 7, 2022**

(51) **LOC (14) Cl.** **14-01**

(52) **U.S. Cl.**

USPC **D14/172**; D14/193; D14/194; D14/209.1

(58) **Field of Classification Search**

USPC D14/341, 343, 345, 349, 356–358, D14/432–434, 238.1, 249, 496–497, 507, D14/135, 137, 159, 163, 167–168, 172, D14/185–186, 203.1, 203.3–203.4, D14/204–207, 209.1, 210, 212–216, 217, D14/221, 223–229, 188, 191–194, D14/196–198, 251–253, 447, 451; D21/324, 333, 513

CPC H04R 1/00; H04R 1/005; H04R 1/023; H04R 1/021; H04R 1/02; H04R 1/026; H04R 1/04; H04R 1/08; H04R 1/086; H04R 1/083; H04R 1/10; H04R 1/12; H04R 2400/00; H04R 2410/00; H04R 2410/01; H04R 2410/03; H04R 2410/05; H04R 2410/07; H04R 9/08; H04R 9/06; H04R 11/02; H04R 11/04; G06F 1/16

See application file for complete search history.

(56) **References Cited**

U.S. PATENT DOCUMENTS

D316,416 S * 4/1991 Cant D14/252
D351,169 S * 10/1994 Leung D14/188

(Continued)

OTHER PUBLICATIONS

Jteman, Cell Phone Stand, Angle Adjustable Phone Holder with Wireless Bluetooth Speakers, posted at Amazon, posting date Oct. 8, 2021. Site visited Dec. 20, 2022. URL: <https://www.amazon.com/Adjustable-Wireless-Bluetooth-Speakers-Compatible/dp/B09J12X7J6?th=1> (Year: 2021).*

(Continued)

Primary Examiner — Kathleen L Jones

(74) *Attorney, Agent, or Firm* — ScienBiziP, P.C.

(57) **CLAIM**

The ornamental design for a combination speaker and stand for electronic device, as shown and described.

DESCRIPTION

FIG. 1 is a front, left and top perspective view of a combination speaker and stand for electronic device, showing my design.

FIG. 2 is a rear, right and bottom perspective view thereof.

FIG. 3 is a front elevation view thereof.

FIG. 4 is a rear elevation view thereof.

FIG. 5 is a left side elevation view thereof.

FIG. 6 is a right side elevation view thereof.

FIG. 7 is a top plan view thereof.

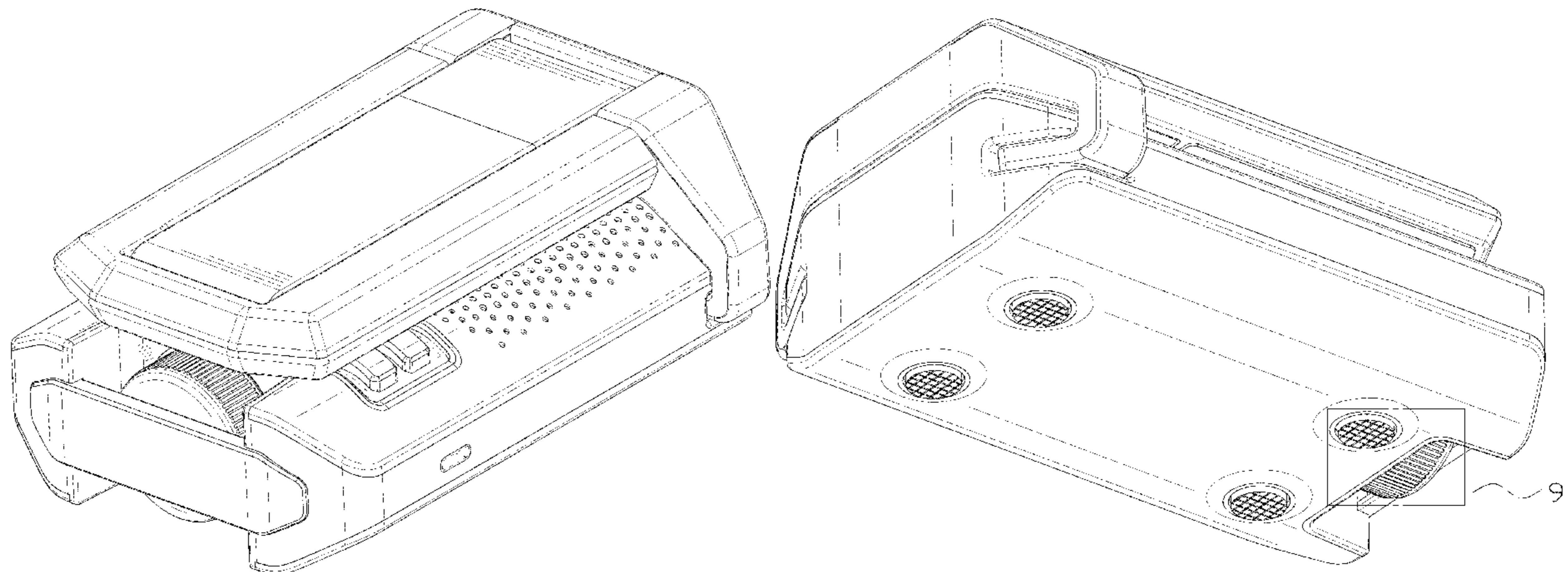
FIG. 8 is a bottom plan view thereof.

FIG. 9 is a partial enlarged view of an area labeled 9 in FIG. 2; and,

FIG. 10 is another front, left and top perspective view of the combination speaker and stand for electronic device in an open state.

The broken lines shown in the drawings are included for the purpose of illustrating portions of the combination speaker and stand for electronic device that form no part of the claimed design. In addition, the dot-dash broken lines in FIGS. 2 and 9 depict boundaries of the areas of the figures shown enlarged and form no part of the claimed design.

1 Claim, 10 Drawing Sheets



(56)

References Cited

U.S. PATENT DOCUMENTS

D395,885	S	*	7/1998	Hough	D14/188
D436,094	S	*	1/2001	Yamada	D14/196
D523,415	S	*	6/2006	Lee	D14/188
D535,986	S	*	1/2007	Eroma	D3/218
D623,642	S	*	9/2010	Wang	D14/243
D645,041	S	*	9/2011	Morton	D14/341
D710,818	S	*	8/2014	Ota	D14/167
D722,603	S	*	2/2015	Lay	D14/447
D752,541	S		3/2016	Holzer		
D762,188	S	*	7/2016	Cho	D14/188
D791,737	S	*	7/2017	Plattard	D14/217
D803,189	S	*	11/2017	Cheney	D14/214
D825,520	S	*	8/2018	Zhang	D14/167
D851,615	S	*	6/2019	Lee	D14/137
D911,304	S	*	2/2021	Hong	D14/204
D920,957	S	*	6/2021	Zheng	D14/223
D942,416	S		2/2022	Lee		
D960,861	S	*	8/2022	Zhang	D14/204
D965,579	S	*	10/2022	Hong	D14/252

OTHER PUBLICATIONS

Fopudy, Cell Phone Stand with Wireless Bluetooth Speaker, posted at Amazon, posting date Jan. 3, 2022. Site visited Dec. 20, 2022.

URL: <<https://www.amazon.com/Phone-Stand-Wireless-Bluetooth-Speaker/dp/B09PL8MBKT?th=1>> (Year: 2022).*

Li, Mingqing, CN Design No. 307712988, posting at Orbit, publication date Dec. 6, 2022. Site visited Dec. 20, 2022. Available from Internet. (Year: 2022).*

* cited by examiner

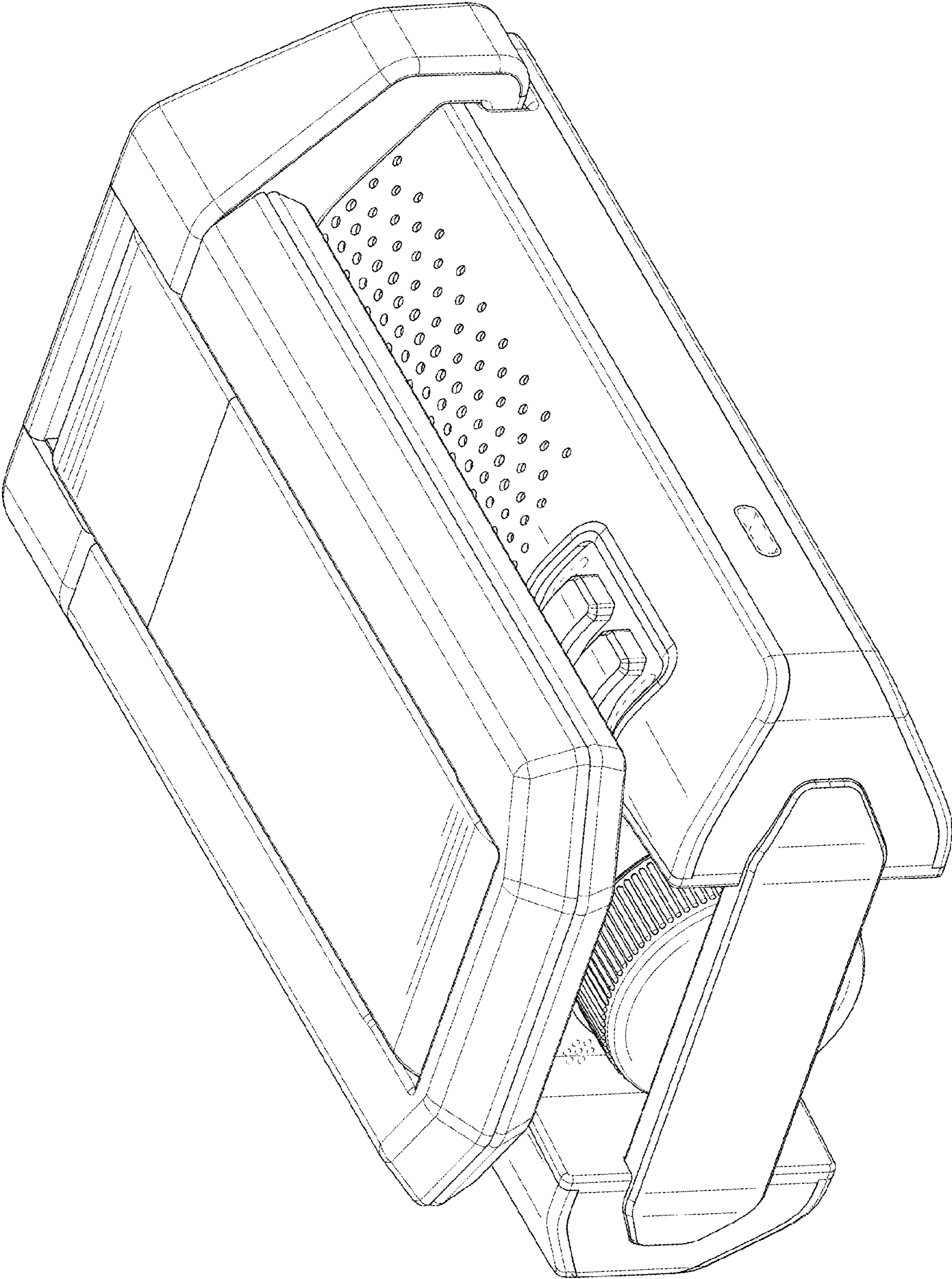


FIG. 1

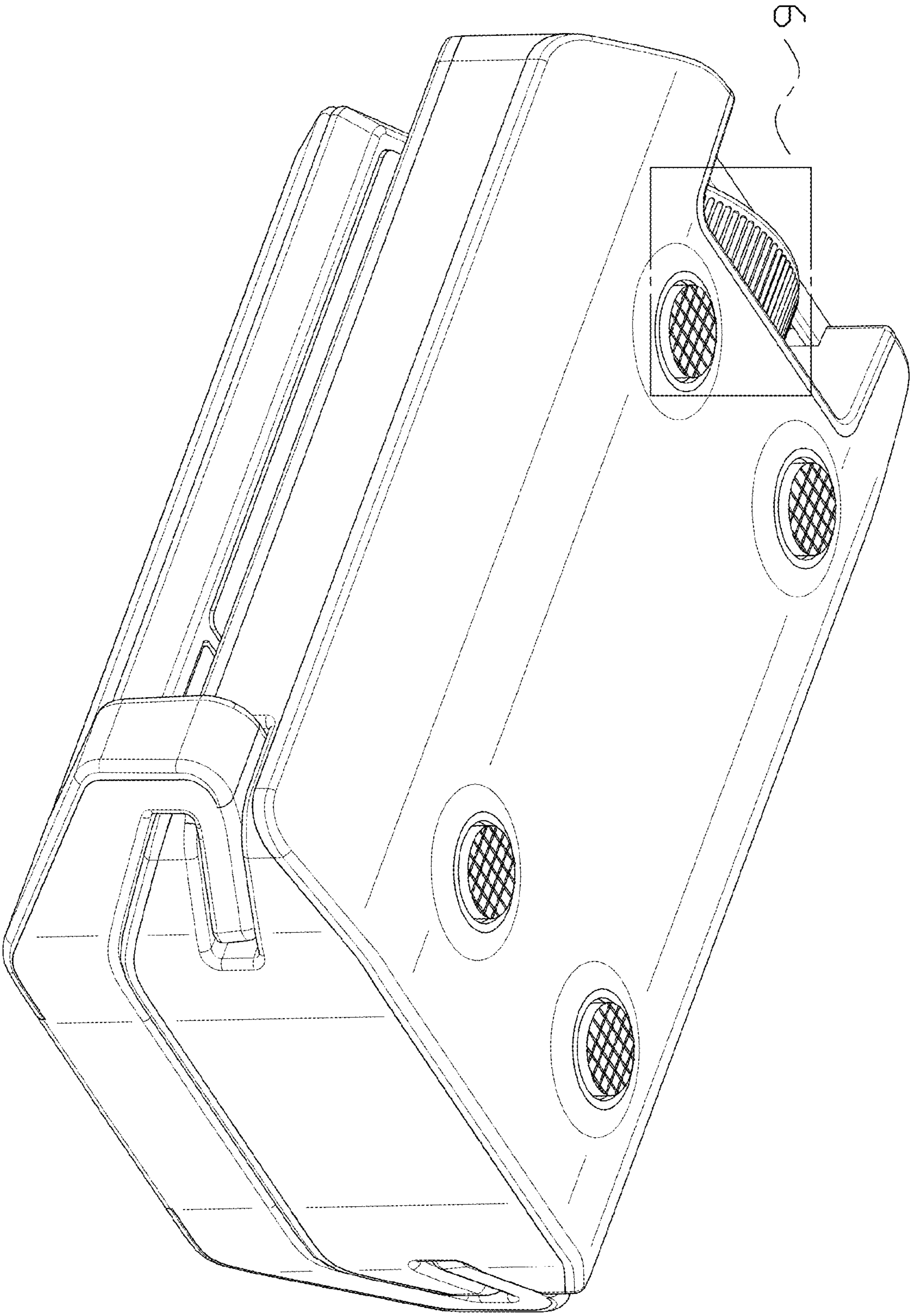


FIG. 2

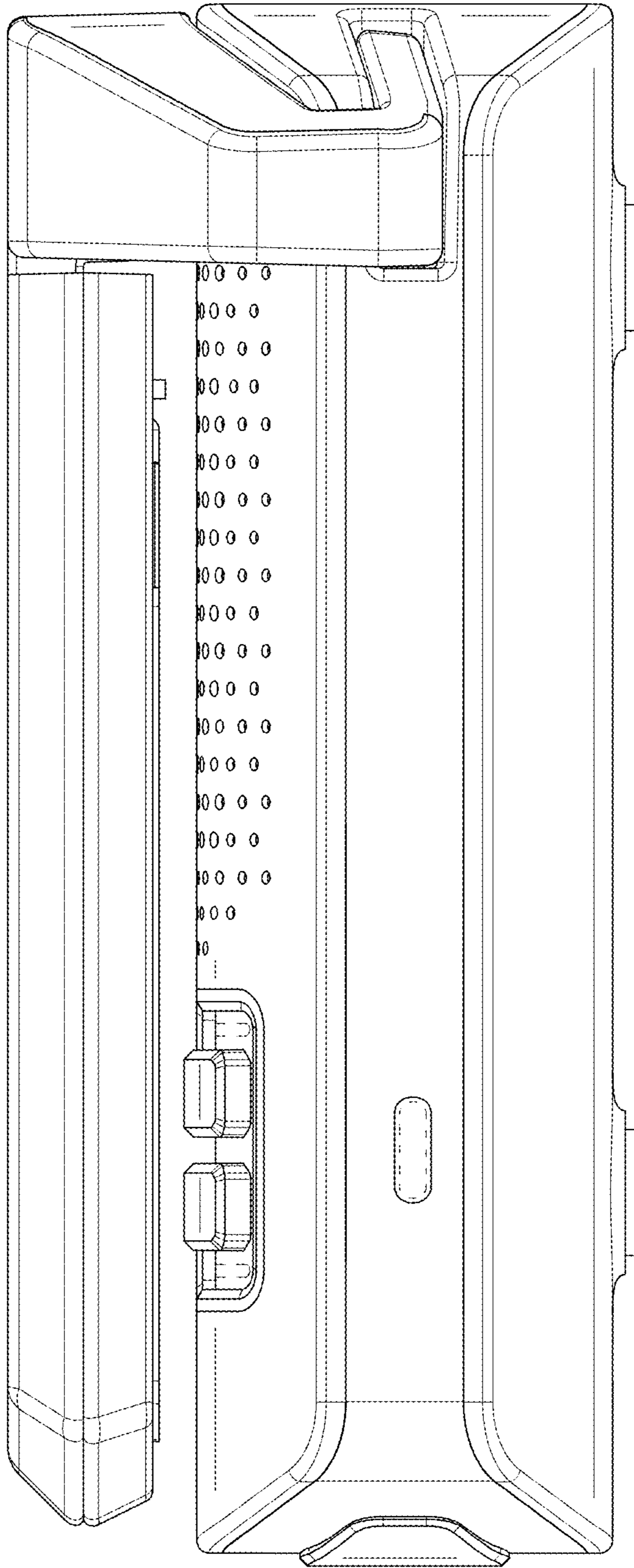


FIG. 3

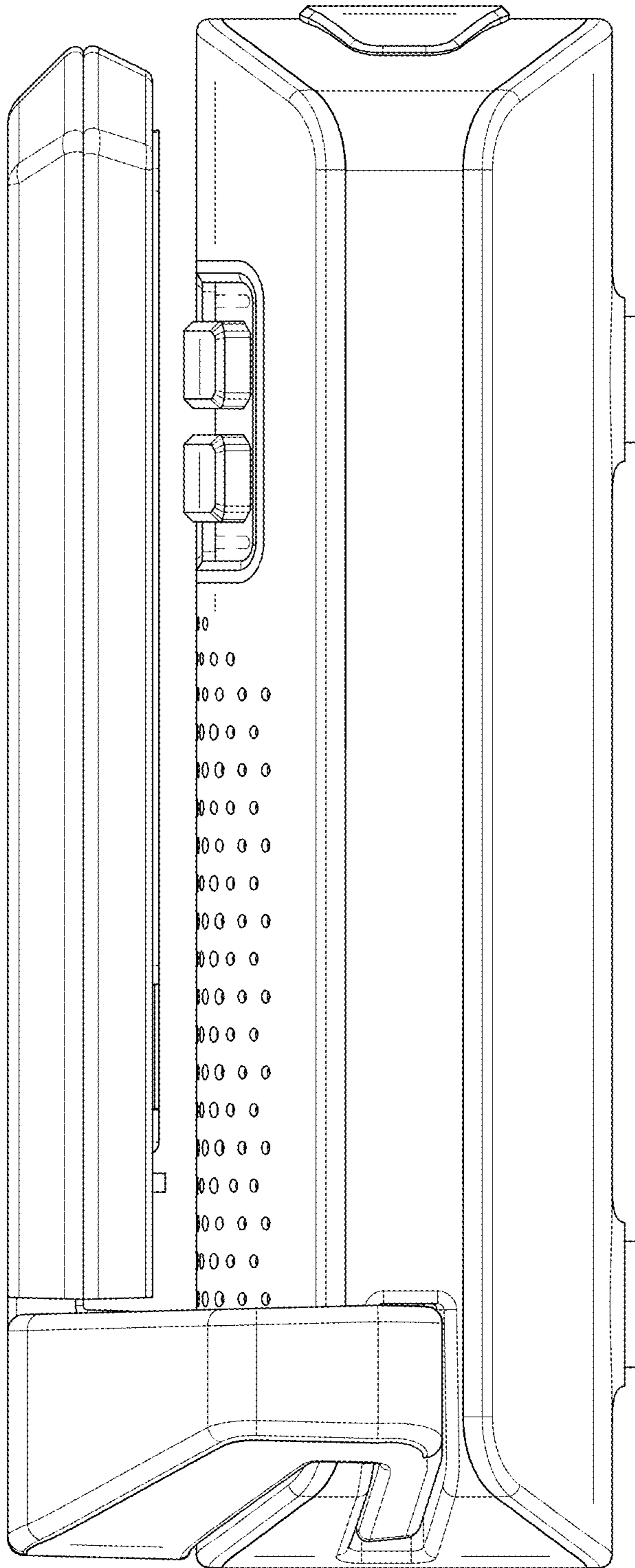


FIG. 4

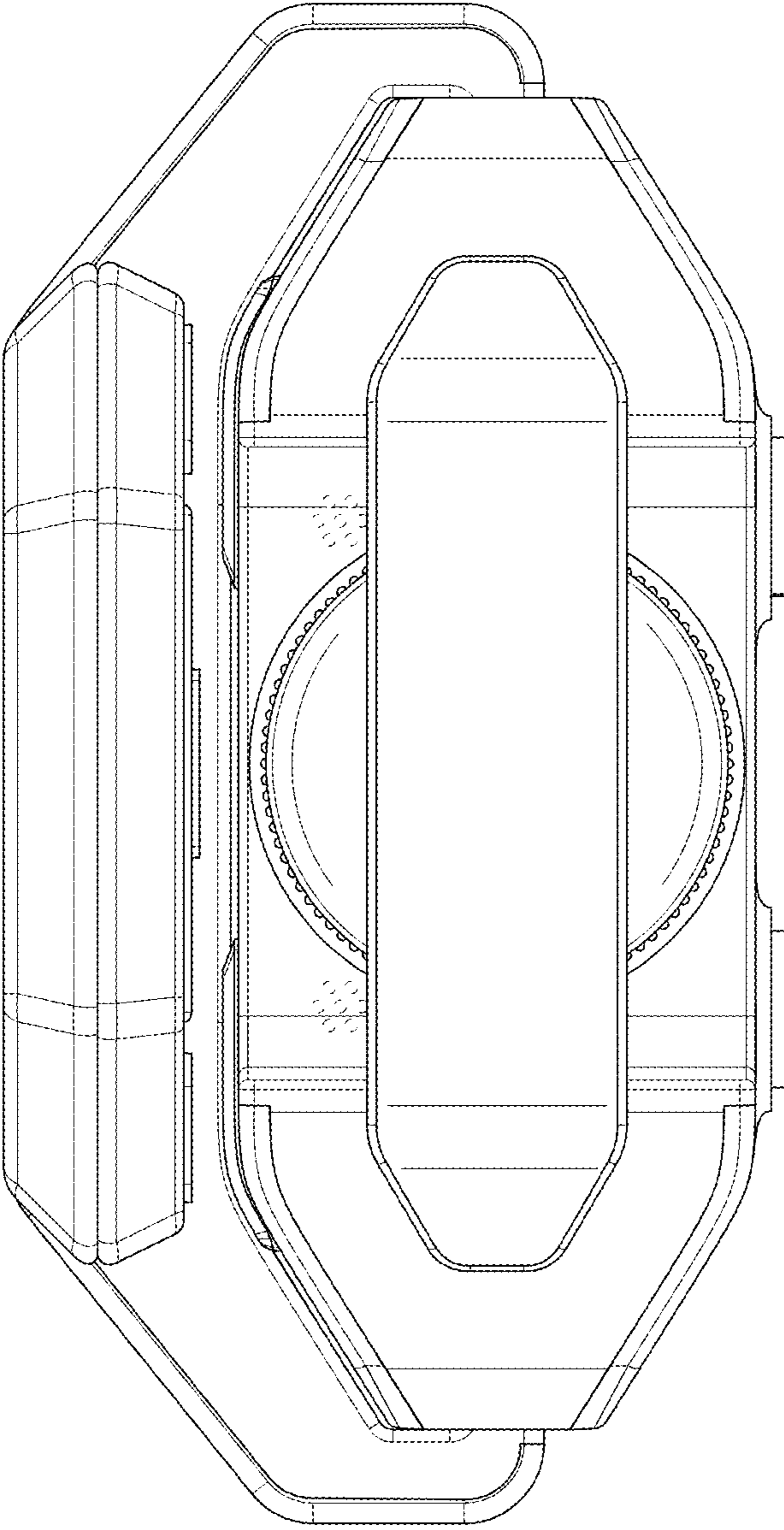


FIG. 5

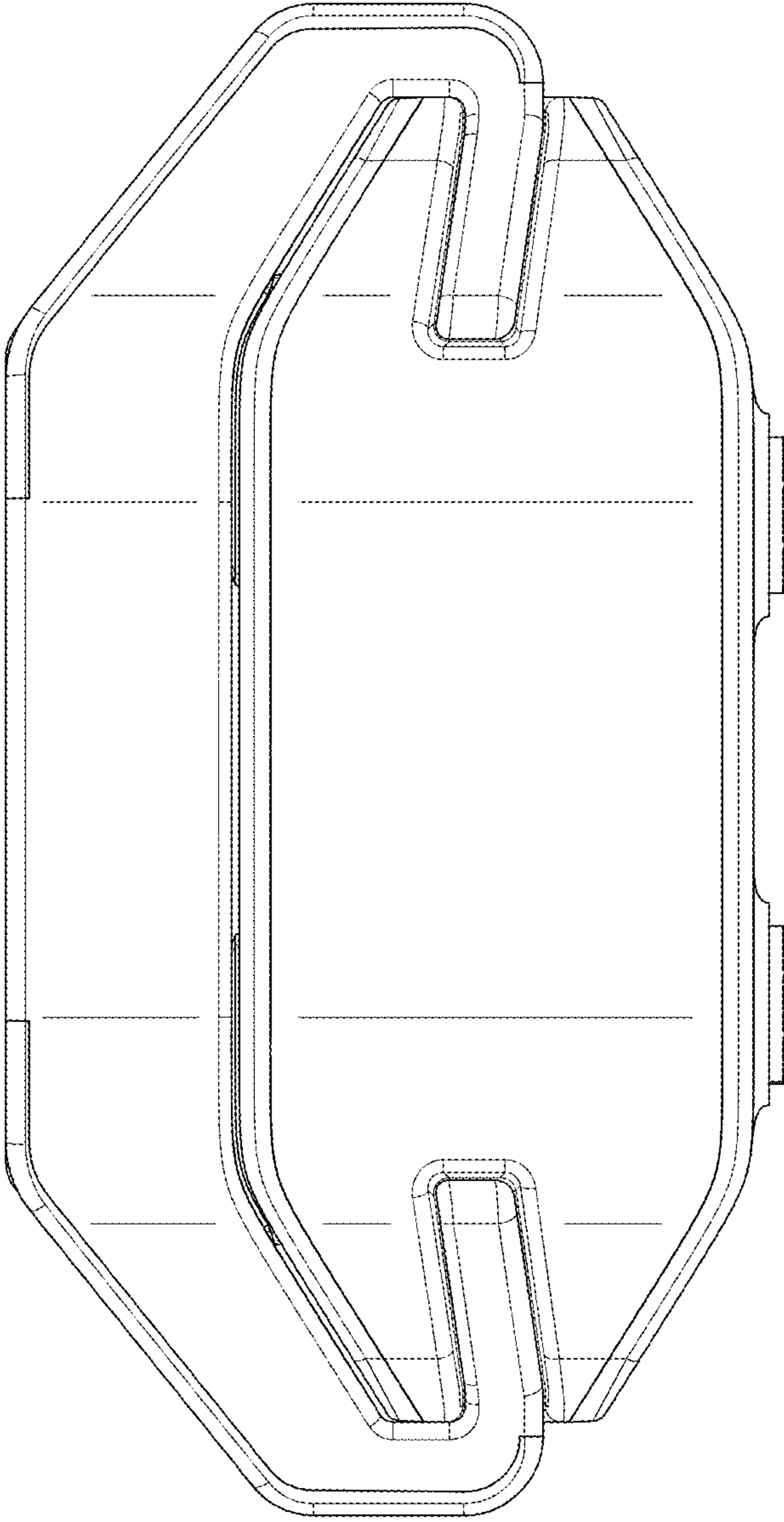


FIG. 6

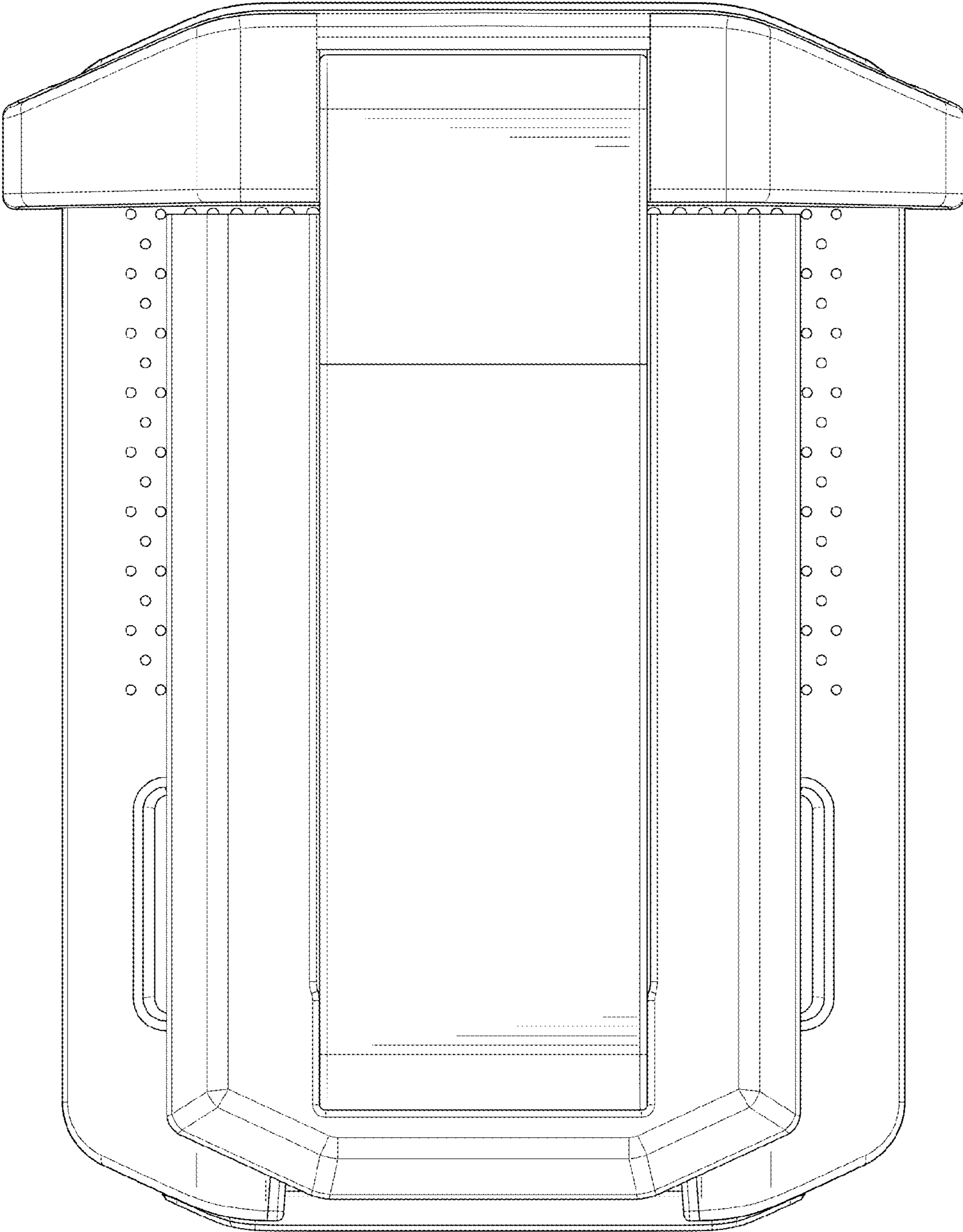


FIG. 7

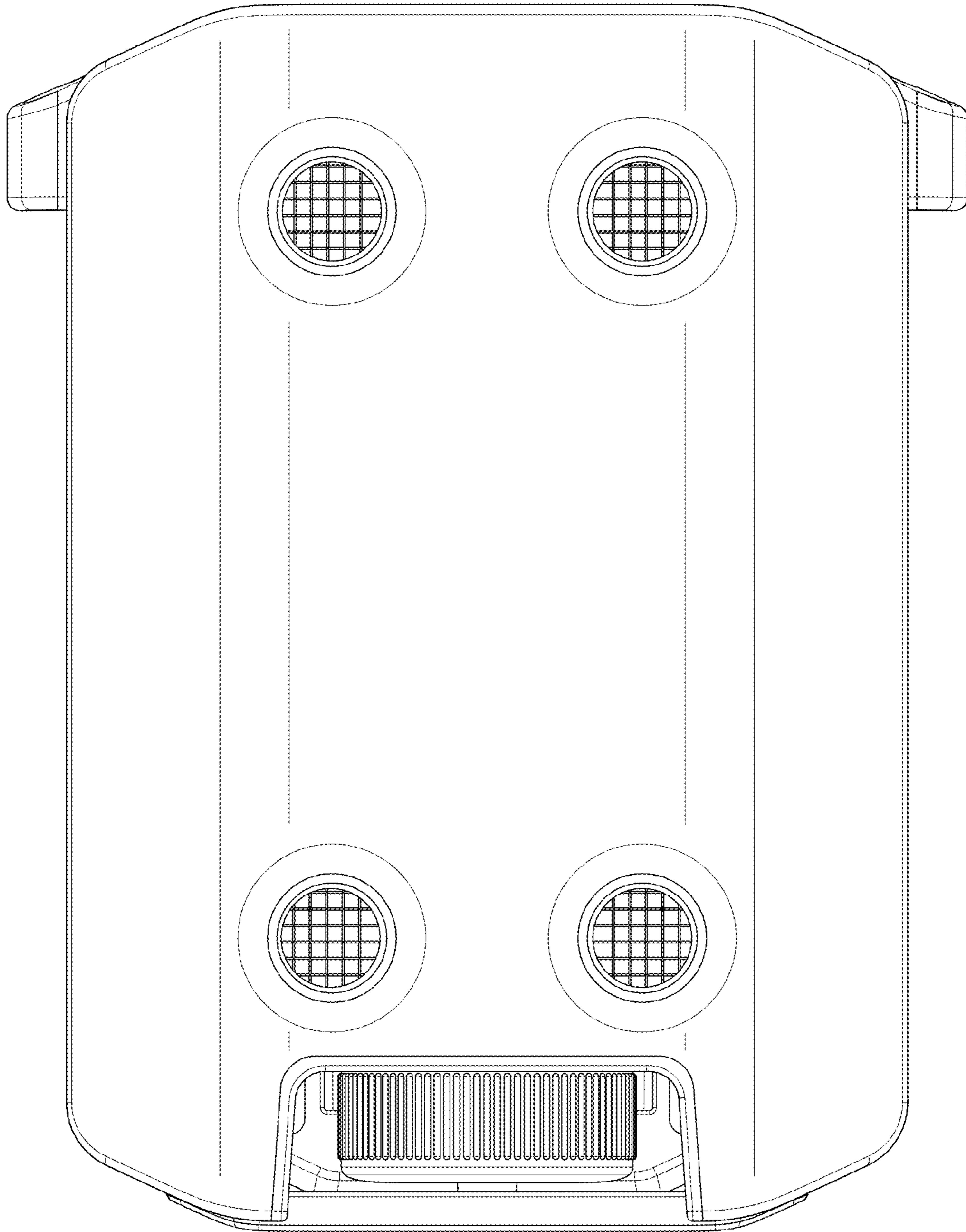


FIG. 8

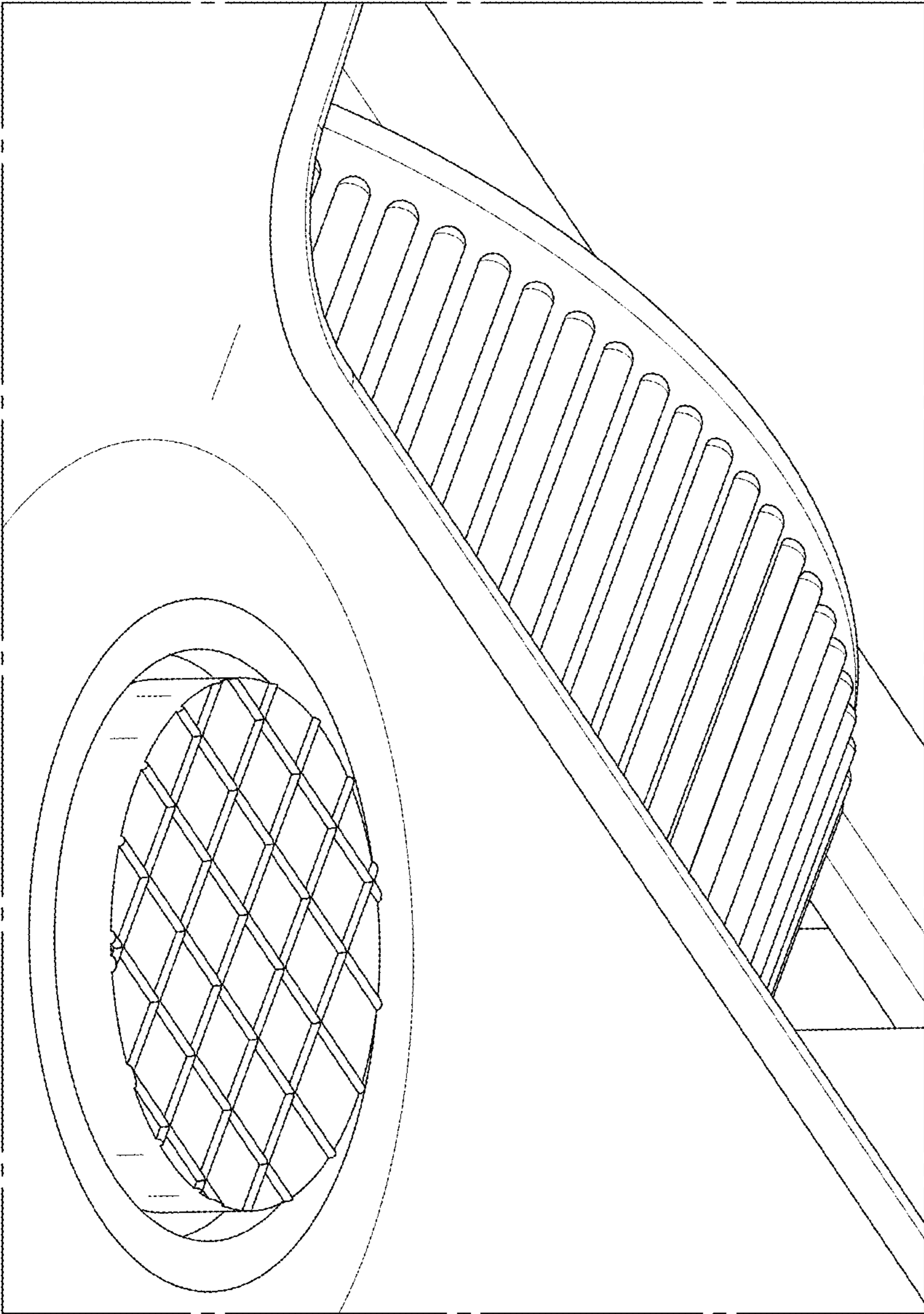


FIG. 9

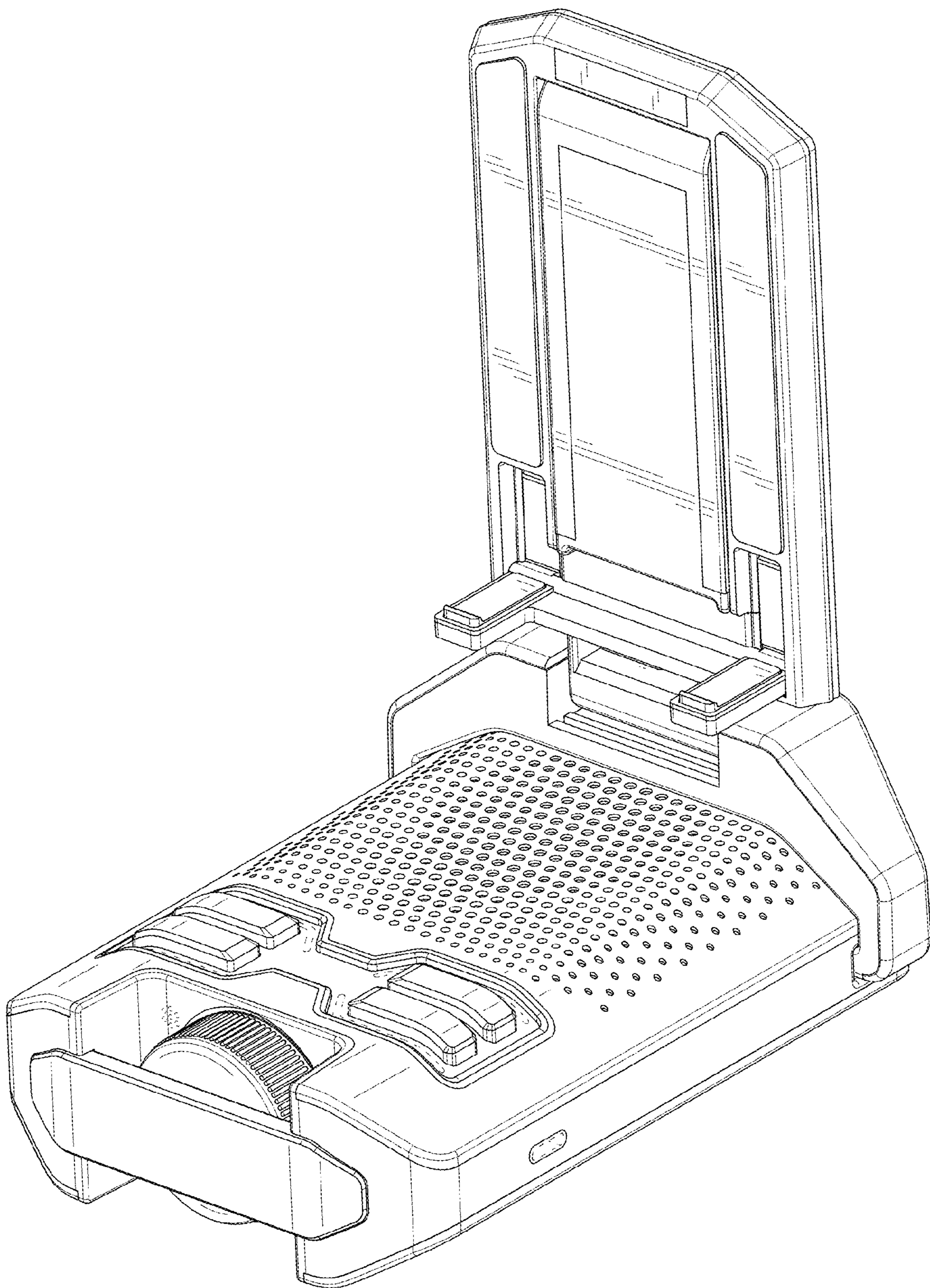


FIG. 10