



US00D980815S

(12) **United States Design Patent** (10) **Patent No.:** **US D980,815 S**
Kim et al. (45) **Date of Patent:** **** Mar. 14, 2023**

(54) **TELEVISION RECEIVER**
(71) Applicant: **LG ELECTRONICS INC.**, Seoul (KR)
(72) Inventors: **Younsoo Kim**, Seoul (KR); **Min Kim**, Seoul (KR); **Nari Lee**, Seoul (KR); **Myungwhoon Lee**, Seoul (KR)
(73) Assignee: **LG ELECTRONICS INC.**, Seoul (KR)

D799,443 S * 10/2017 Park D14/126
D800,680 S * 10/2017 Choi D14/126
D805,490 S * 12/2017 Lim D14/126
D817,289 S * 5/2018 Won D14/126
D823,271 S * 7/2018 Shen D14/126
D823,824 S * 7/2018 Won D14/126
D850,397 S * 6/2019 Choi D14/126

(Continued)

FOREIGN PATENT DOCUMENTS

CN 305210733 * 6/2019
KR 300878930.0000 * 11/2019

OTHER PUBLICATIONS

Vivo Artistic Easel, first available May 23, 2019 [online], [retrieved Jan. 11, 2023]. Available from the Internet, URL:<<https://a.co/d/3ME6EhT>>. (Year: 2019).*

(Continued)

Primary Examiner — Dana K Weiland
Assistant Examiner — Russell Carnell Smith, Jr.
(74) *Attorney, Agent, or Firm* — Birch, Stewart, Kolasch & Birch, LLP

(**) Term: **15 Years**

(21) Appl. No.: **35/513,272**

(22) Filed: **Dec. 3, 2021**

(80) **Hague Agreement Data**

Int. Filing Date: **Dec. 3, 2021**
Int. Reg. No.: **DM/217924**
Int. Reg. Date: **Dec. 3, 2021**
Int. Reg. Pub. Date: **Dec. 24, 2021**

(51) **LOC (14) Cl.** **14-03**

(52) **U.S. Cl.**
USPC **D14/126**

(58) **Field of Classification Search**
USPC D14/125, 126, 238, 239, 336, 371, 374, D14/375, 376, 377, 448, 451; D19/113, D19/114; D6/328, 332
CPC H04N 7/00; H04N 9/3141; H04N 17/04; H04N 17/004; H04N 21/43637; G06F 1/1601; G06F 1/1605; G06F 1/162
See application file for complete search history.

(56) **References Cited**

U.S. PATENT DOCUMENTS

D671,170 S * 11/2012 Udagawa D19/114
D716,244 S * 10/2014 Kim D14/126
D735,153 S * 7/2015 Snyder D14/126
D757,667 S * 5/2016 Yokota D14/126
D777,128 S * 1/2017 Kim D14/126
D791,094 S * 7/2017 Han D14/126

(57) **CLAIM**

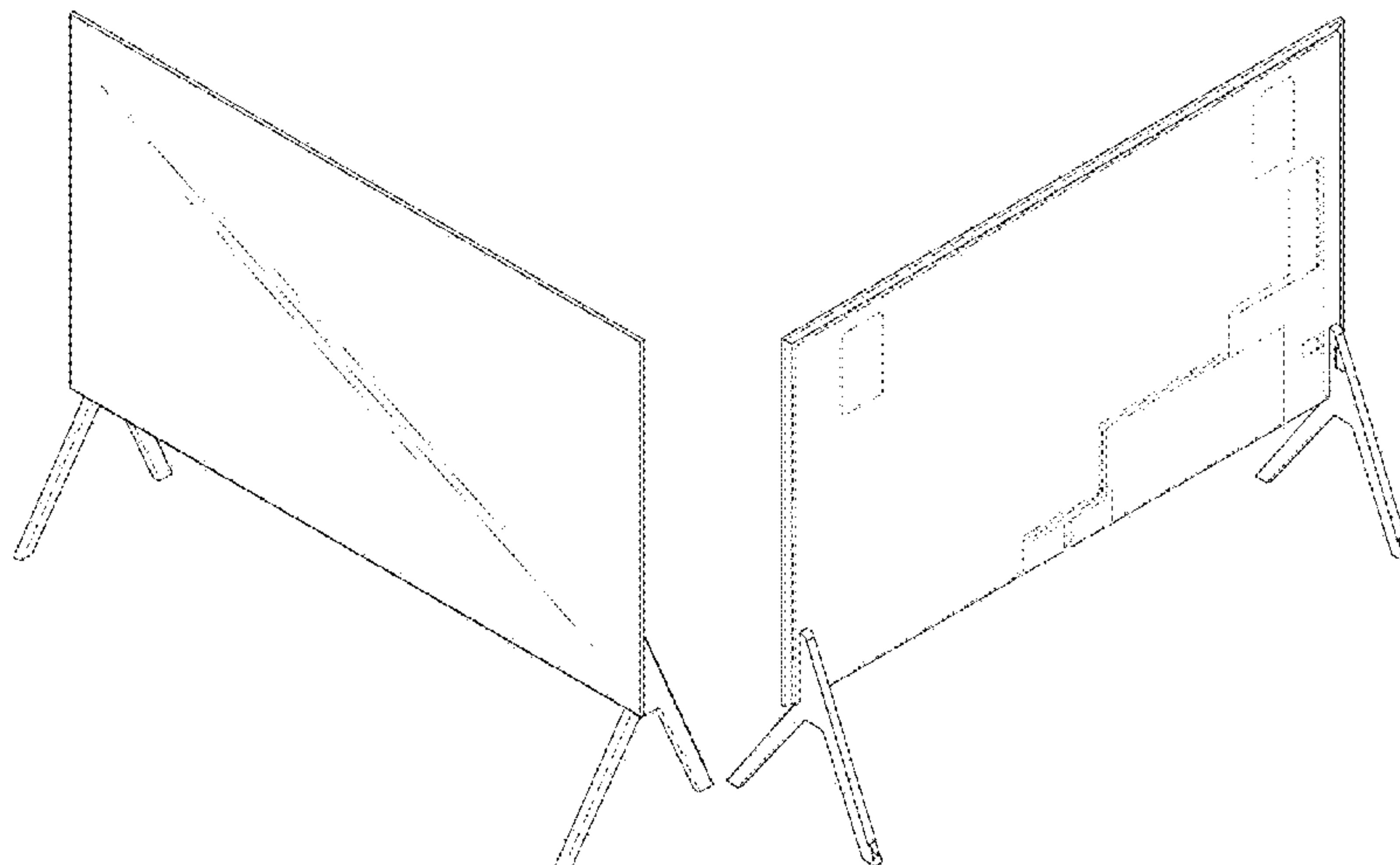
The ornamental design for a television receiver, as shown and described.

DESCRIPTION

- 1. Television receiver
- 1.1 : Perspective
- 1.2 : Rear perspective view
- 1.3 : Front
- 1.4 : Back
- 1.5 : Left
- 1.6 : Right
- 1.7 : Top
- 1.8 : Bottom

The broken lines indicate portions of the article that form no part of the claimed design.

1 Claim, 8 Drawing Sheets



(56)

References Cited

U.S. PATENT DOCUMENTS

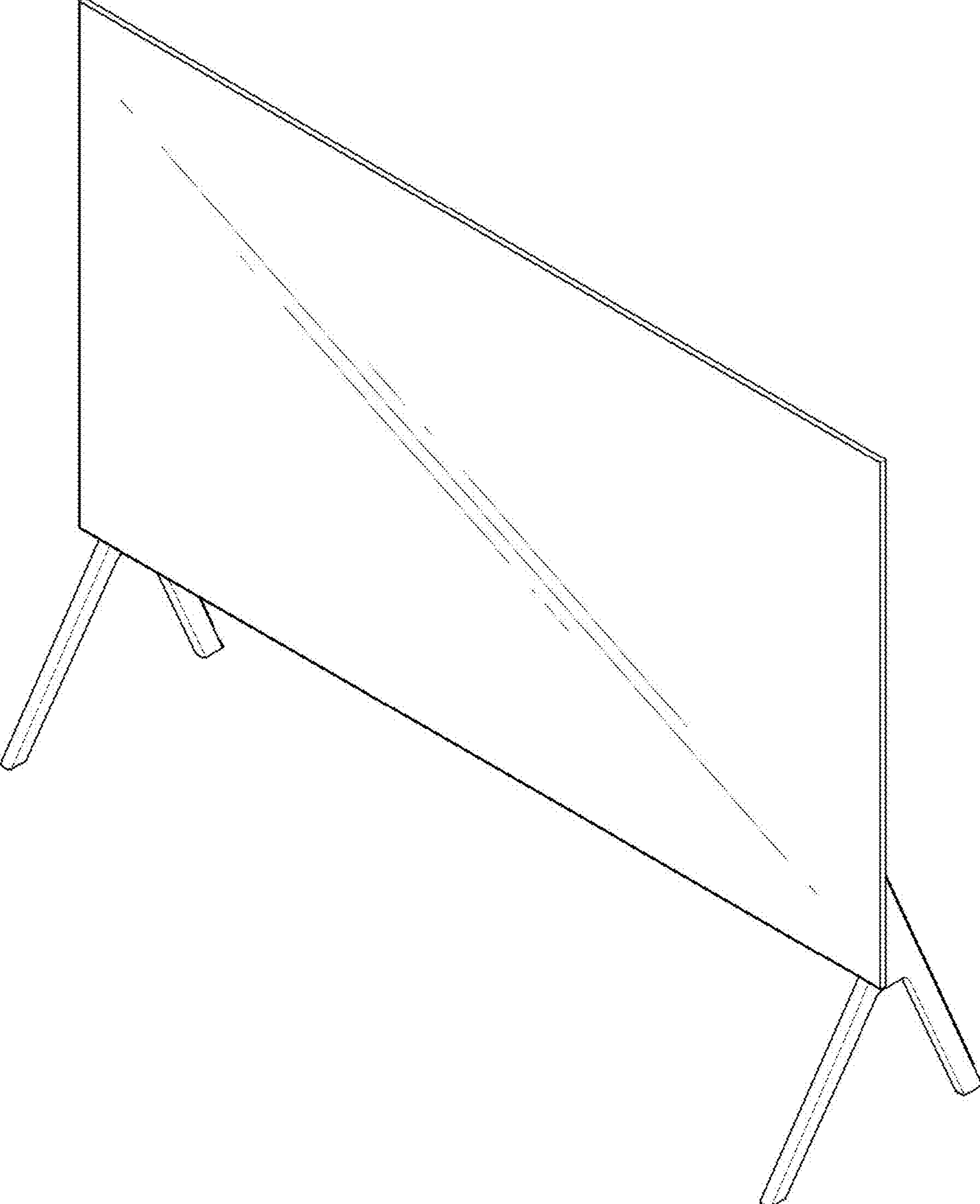
D861,626 S * 10/2019 Wu D14/126
D878,314 S * 3/2020 Seong D14/126
D898,688 S * 10/2020 Lee D14/126
D960,847 S * 8/2022 Kim D14/126

OTHER PUBLICATIONS

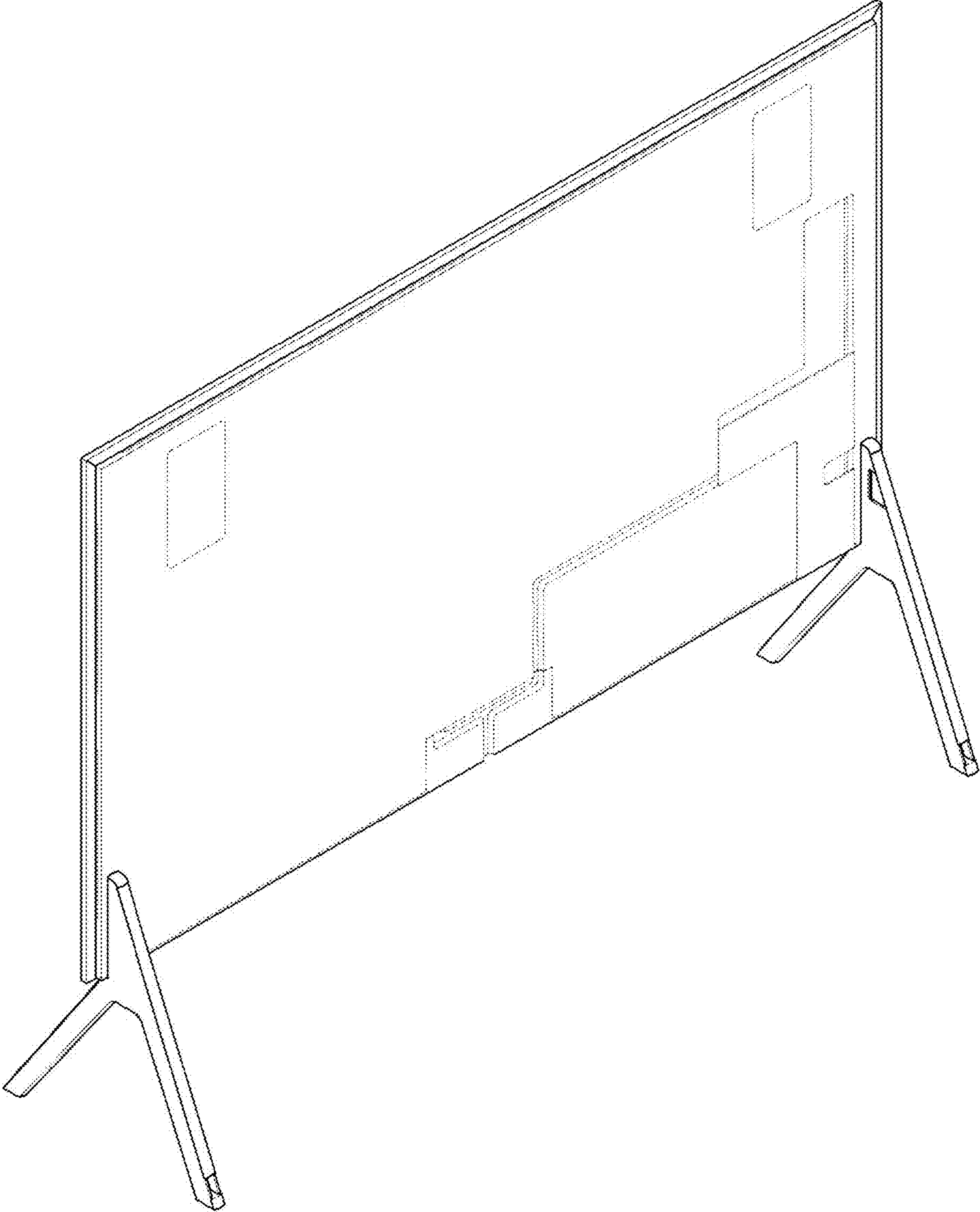
Vibe S1, first available Aug. 1, 2022 [online], [retrieved Jan. 11, 2023]. Available from the Internet, URL:<<https://a.co/d/b1GeVLi>>. (Year: 2022).*

* cited by examiner

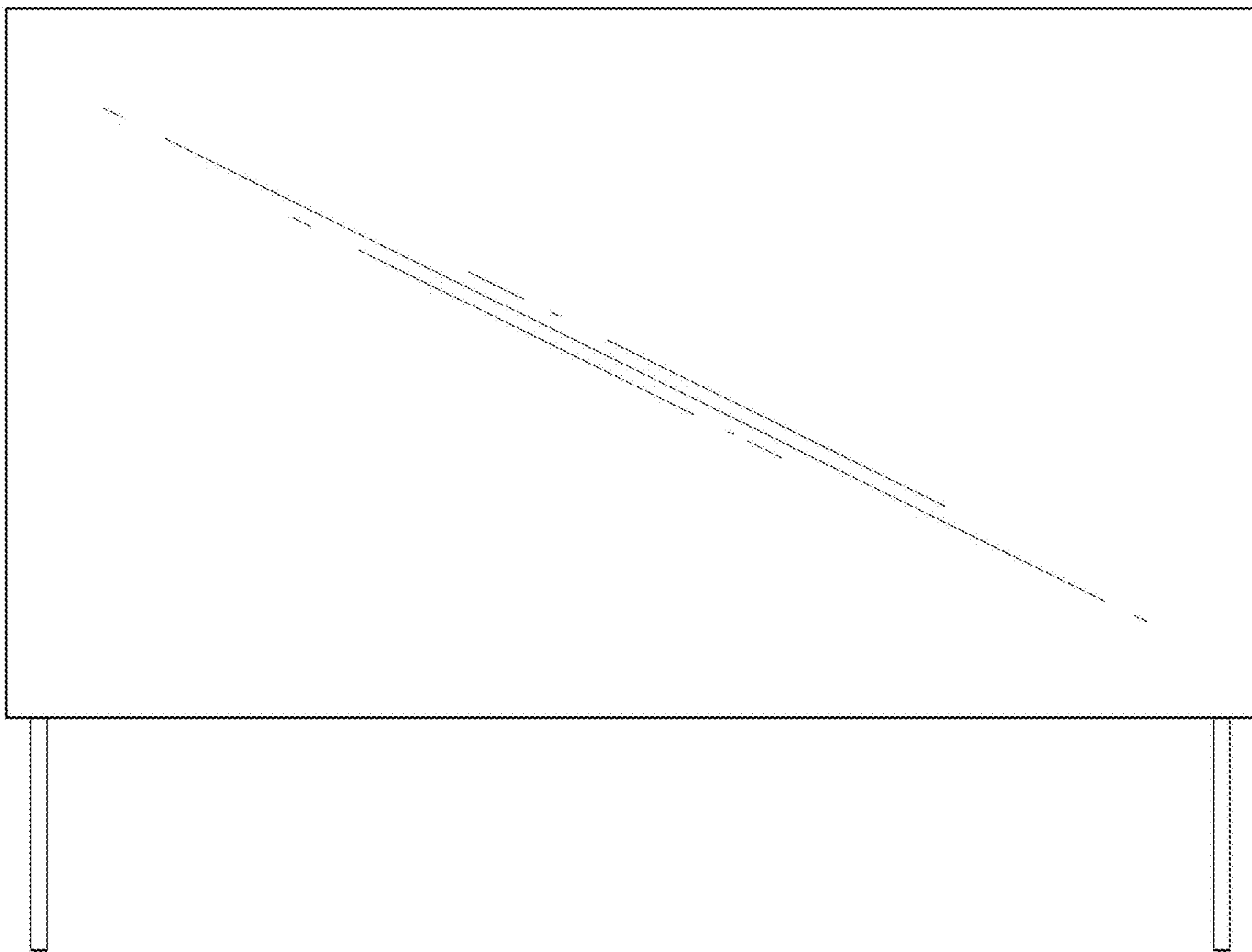
1.1



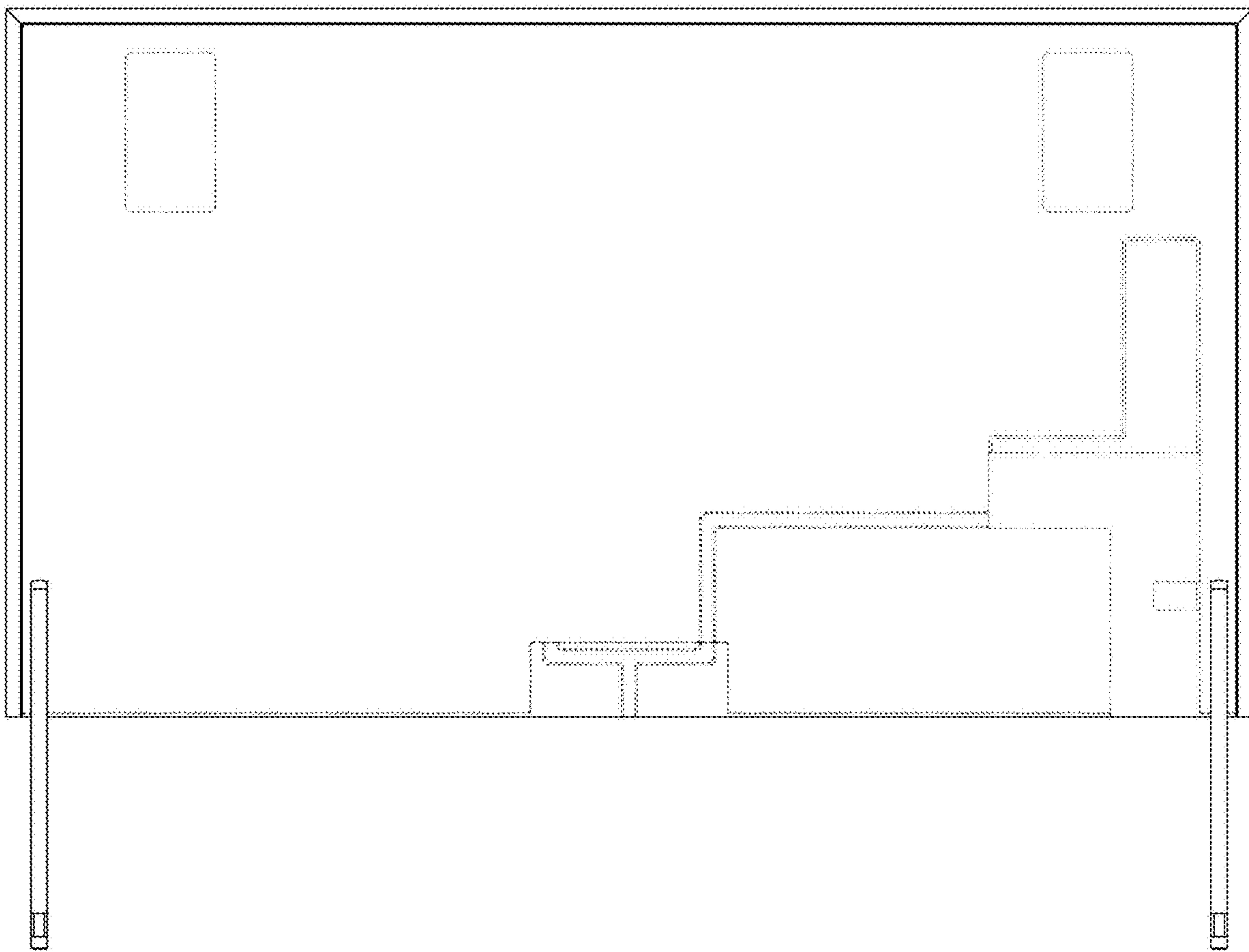
1.2



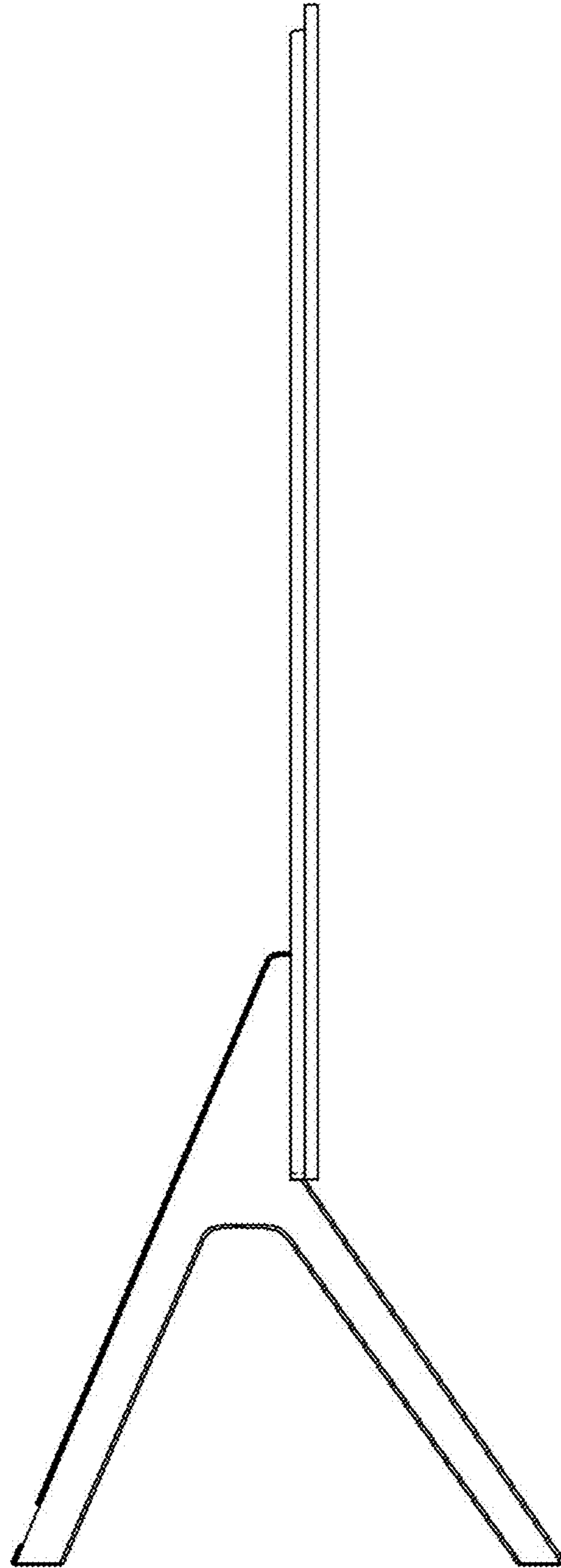
1.3



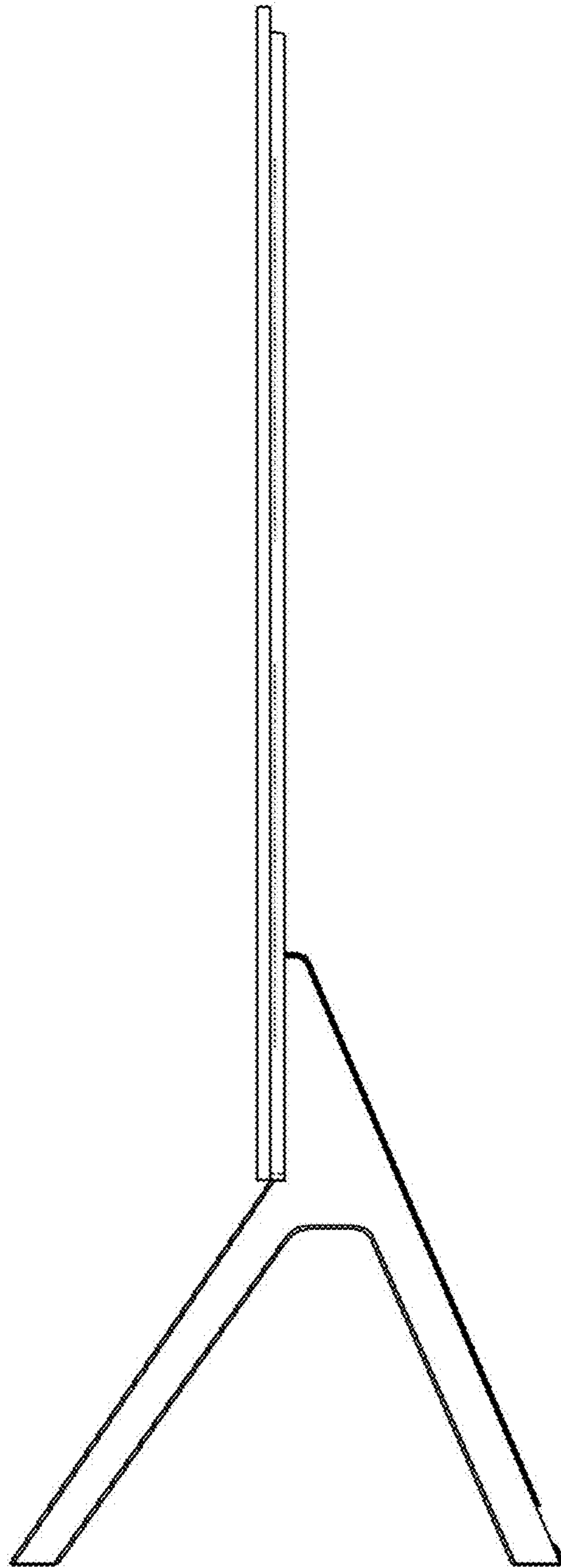
1.4



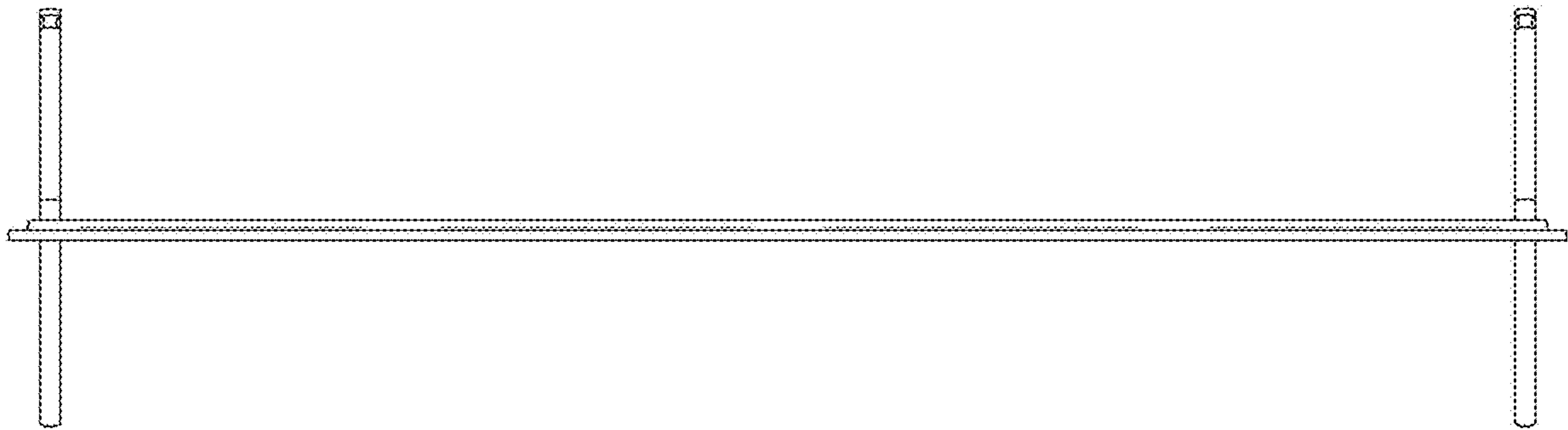
1.5



1.6



1.7



1.8

