



US00D980813S

(12) **United States Design Patent**  
**Shin et al.**

(10) **Patent No.:** **US D980,813 S**  
(45) **Date of Patent:** **\*\* Mar. 14, 2023**

(54) **GAS FLOW CONTROL PLATE FOR  
SUBSTRATE PROCESSING APPARATUS**

(71) Applicant: **ASM IP Holding B.V.**, Almere (NL)

(72) Inventors: **JinHo Shin**, Hwaseong-si (KR);  
**JaeHyun Kim**, Hwaseong-si (KR);  
**JeongHo Lee**, Seoul (KR); **HyunSoo  
Jang**, Osan-si (KR)

(73) Assignee: **ASM IP Holding B.V.**, Almere (NL)

(\*\*) Term: **15 Years**

(21) Appl. No.: **29/782,977**

(22) Filed: **May 11, 2021**

(51) **LOC (14) Cl.** ..... **13-03**

(52) **U.S. Cl.**  
USPC ..... **D13/184**

(58) **Field of Classification Search**  
USPC ..... D13/199, 121, 118, 107, 103, 184, 182;  
D15/122, 138, 144.1; D23/329; D24/224  
CPC ..... G01V 3/02; H01L 21/02; H01L 21/687;  
H01L 21/67; H01L 21/20; H01L 21/3065;  
C23C 16/458; C23C 16/50; C23C 16/34;  
H01J 37/20; G01C 19/5698; G01C  
19/5719; H01H 33/664; B24B 19/16;  
G01N 27/40; G01N 27/403; B22F 10/28;  
H01T 19/00

See application file for complete search history.

(56) **References Cited**

**U.S. PATENT DOCUMENTS**

D30,036 S	1/1899	Rhind
D31,889 S	11/1899	Gill
D56,051 S	8/1920	Cohn
2,059,480 A	11/1936	Obermaier
2,161,626 A	6/1939	Loughner et al.
2,240,163 A	4/1941	Pick
2,266,416 A	12/1941	Duclos

2,280,778 A	4/1942	Andersen
D142,841 S	11/1945	D'Algodt
2,410,420 A	11/1946	Bennett
2,441,253 A	5/1948	Sarver
2,480,557 A	8/1949	Cummins
2,563,931 A	8/1951	Harrison
2,660,061 A	11/1953	Lewis
2,745,640 A	5/1956	Cushman

(Continued)

**FOREIGN PATENT DOCUMENTS**

AT	520629	6/2019
CN	1186873	7/1998

(Continued)

**OTHER PUBLICATIONS**

CNIPA; Office Action dated Jul. 21, 2021 in Application No. 201610131743.1.

(Continued)

*Primary Examiner* — Christy Nemeth

*Assistant Examiner* — Leah E Hoeferkamp

(74) *Attorney, Agent, or Firm* — Snell & Wilmer L.L.P.

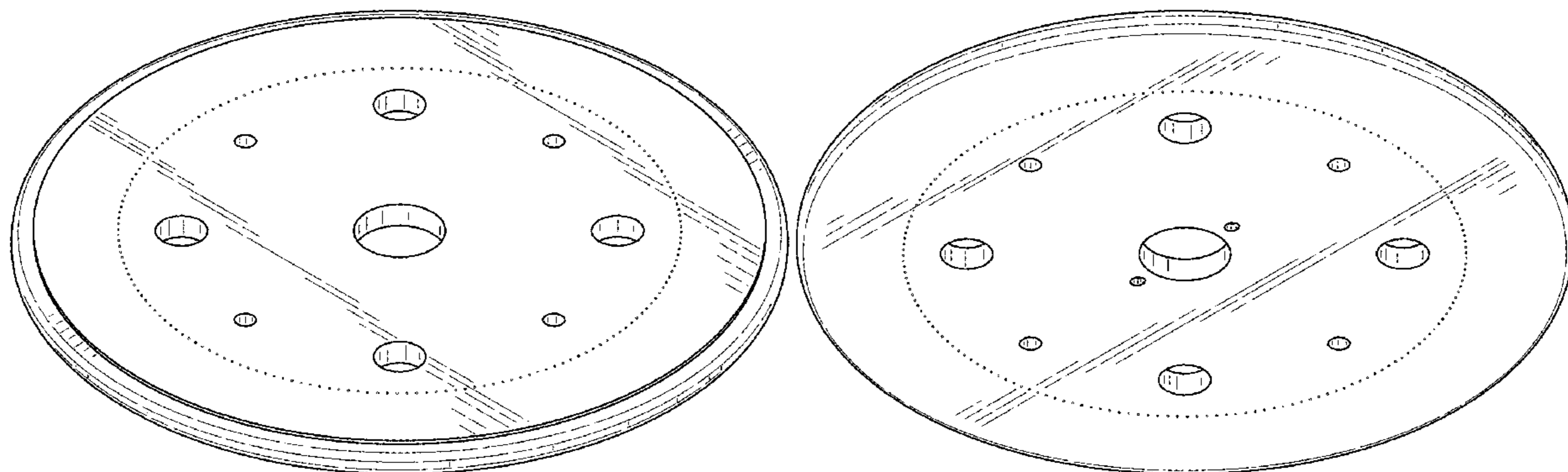
(57) **CLAIM**

The ornamental design for a gas flow control plate for substrate processing apparatus, as shown and described.

**DESCRIPTION**

FIG. 1 is a top perspective view of a gas flow control plate for substrate processing apparatus showing our new design; FIG. 2 is a bottom perspective view thereof; FIG. 3 is a top plan view thereof; FIG. 4 is a bottom plan view thereof; FIG. 5 is a side elevation view thereof; and, FIG. 6 is a cross-sectional view, taken along a line 6-6 of FIG. 3.

**1 Claim, 6 Drawing Sheets**



# US D980,813 S

Page 2

(56)

## References Cited

### U.S. PATENT DOCUMENTS

2,847,320	A	8/1958	Bulloff	4,454,370	A	6/1984	Voznick
2,990,045	A	6/1961	Root	4,455,193	A	6/1984	Jeuch et al.
3,038,951	A	6/1962	Mead	4,465,716	A	8/1984	Baber et al.
3,089,507	A	5/1963	Drake et al.	4,466,766	A	8/1984	Geren et al.
3,094,396	A	6/1963	Flugge et al.	4,479,831	A	10/1984	Sadow
3,197,682	A	7/1965	Klass et al.	4,480,284	A	10/1984	Tojo et al.
3,232,437	A	2/1966	Hultgren	4,481,300	A	11/1984	Hartnett et al.
3,263,502	A	8/1966	Springfield	4,484,061	A	11/1984	Zelinka et al.
3,332,286	A	7/1967	Strong	4,488,506	A	12/1984	Heinecke et al.
3,410,349	A	11/1968	Troutman	4,495,024	A	1/1985	Bok
3,420,622	A	1/1969	Donges et al.	4,496,828	A	1/1985	Kusmierz et al.
3,588,192	A	6/1971	Drutchas et al.	4,499,354	A	2/1985	Hill et al.
3,633,537	A	* 1/1972	Howe ..... C23C 14/34 118/500	4,502,094	A	2/1985	Lewin et al.
3,634,740	A	1/1972	Stevko	4,504,439	A	3/1985	Elter et al.
3,647,387	A	3/1972	Benson	4,512,113	A	4/1985	Budinger
3,647,716	A	3/1972	Koches	4,512,841	A	4/1985	Cunningham et al.
3,713,899	A	1/1973	Sebestyen	4,520,116	A	5/1985	Gentilman et al.
3,718,429	A	2/1973	Williamson	4,520,421	A	5/1985	Sakitani et al.
3,796,182	A	3/1974	Rosler	4,527,005	A	7/1985	McKelvey et al.
3,814,128	A	6/1974	Grantham	4,534,816	A	8/1985	Chen et al.
3,833,492	A	9/1974	Bollyky	4,535,628	A	8/1985	Hope
3,854,443	A	12/1974	Baerg	4,537,001	A	8/1985	Uppstrom
3,862,397	A	1/1975	Anderson et al.	4,548,688	A	10/1985	Mathews
3,867,205	A	2/1975	Schley	4,551,192	A	11/1985	Di Milia et al.
3,885,504	A	5/1975	Baermann	4,554,611	A	11/1985	Lewin
3,887,790	A	6/1975	Ferguson	4,560,590	A	12/1985	Bok
3,904,371	A	9/1975	Neti	4,560,590	A	2/1986	Price et al.
3,913,058	A	10/1975	Nishio et al.	4,570,328	A	3/1986	Bok
3,913,617	A	10/1975	van Laar	4,575,408	A	3/1986	Caprari
3,916,270	A	10/1975	Wachtler et al.	4,575,636	A	3/1986	Tanaka et al.
3,947,685	A	3/1976	Meinel	4,578,560	A	3/1986	Tanaka et al.
3,960,559	A	6/1976	Suzuki	4,579,080	A	4/1986	Martin et al.
3,962,004	A	6/1976	Sonneborn	4,579,378	A	4/1986	Snyders
3,983,401	A	9/1976	Livesay	4,579,623	A	4/1986	Suzuki et al.
3,997,638	A	12/1976	Manning et al.	4,581,520	A	4/1986	Vu et al.
4,048,110	A	9/1977	Vanderspurt	4,590,326	A	5/1986	Woldy
4,054,071	A	10/1977	Patejak	4,611,966	A	9/1986	Johnson
4,058,430	A	11/1977	Suntola et al.	4,620,998	A	11/1986	Lalvani
4,079,944	A	3/1978	Durley et al.	4,622,918	A	11/1986	Bok
4,093,491	A	6/1978	Whelpton et al.	4,624,728	A	11/1986	Bithell et al.
4,099,041	A	7/1978	Berkman et al.	D288,556	S	3/1987	Wallgren
D249,341	S	9/1978	Mertz	4,653,541	A	3/1987	Oehlschlaeger et al.
4,126,027	A	11/1978	Smith et al.	4,654,226	A	3/1987	Jackson et al.
4,134,425	A	1/1979	Gussefeld et al.	4,655,592	A	4/1987	Allemand
4,145,699	A	3/1979	Hu et al.	4,662,987	A	5/1987	Bok
4,149,237	A	4/1979	Freitas	4,664,769	A	5/1987	Cuomo et al.
4,152,760	A	5/1979	Freitas et al.	4,670,126	A	6/1987	Messer et al.
4,157,751	A	6/1979	Grundken et al.	4,681,134	A	7/1987	Paris
4,164,959	A	8/1979	Wurzbürger	4,693,211	A	9/1987	Ogami et al.
4,176,630	A	12/1979	Elmer	4,700,089	A	10/1987	Fujii et al.
4,179,530	A	12/1979	Koppl et al.	4,707,815	A	11/1987	Yamasaki
4,181,330	A	1/1980	Kojima	4,717,461	A	1/1988	Strahl et al.
4,184,188	A	1/1980	Briglia	4,718,637	A	1/1988	Contin
4,194,536	A	3/1980	Stine et al.	4,720,362	A	1/1988	Gentilman et al.
4,217,463	A	8/1980	Swearingen	4,720,407	A	1/1988	Sculke
4,229,064	A	10/1980	Vetter et al.	4,721,533	A	1/1988	Phillippi et al.
4,234,449	A	11/1980	Wolson et al.	4,721,534	A	1/1988	Phillippi et al.
4,241,000	A	12/1980	McCauley et al.	4,722,298	A	2/1988	Rubin et al.
4,314,763	A	2/1982	Steigmeier et al.	4,724,272	A	2/1988	Raniere et al.
4,322,592	A	3/1982	Martin	4,725,204	A	2/1988	Powell
4,324,611	A	4/1982	Vogel et al.	4,735,259	A	4/1988	Vincent
4,333,735	A	6/1982	Hardy	4,738,618	A	4/1988	Massey et al.
4,355,912	A	10/1982	Haak	4,738,748	A	4/1988	Kisa
4,384,918	A	5/1983	Abe	4,747,367	A	5/1988	Posa
4,389,973	A	6/1983	Suntola et al.	4,749,416	A	6/1988	Greenspan
D269,850	S	7/1983	Preisler et al.	4,750,520	A	6/1988	Heim et al.
4,393,013	A	7/1983	McMenamin	4,753,192	A	6/1988	Goldsmith et al.
4,401,507	A	8/1983	Engle	4,753,856	A	6/1988	Haluska et al.
4,412,133	A	10/1983	Eckes et al.	4,756,794	A	7/1988	Yoder
4,413,022	A	11/1983	Suntola et al.	4,764,076	A	8/1988	Layman et al.
4,414,492	A	11/1983	Hanlet	4,770,590	A	9/1988	Hugues et al.
4,436,674	A	3/1984	McMenamin	4,771,015	A	9/1988	Kanai
4,444,990	A	4/1984	Villar	4,775,281	A	10/1988	Prentakis
D274,122	S	6/1984	Stahel et al.	4,776,744	A	10/1988	Stonestreet et al.
				4,780,169	A	10/1988	Stark et al.
				4,781,511	A	11/1988	Harada et al.
				4,789,294	A	12/1988	Sato et al.
				4,790,258	A	12/1988	Drage et al.
				4,802,441	A	2/1989	Waugh
				4,804,086	A	2/1989	Grohrock

(56)

**References Cited**

## U.S. PATENT DOCUMENTS

4,808,387 A	2/1989	Datta et al.	5,116,018 A	5/1992	Friemoth et al.
4,812,201 A	3/1989	Sakai et al.	5,117,121 A	5/1992	Watanabe et al.
4,812,217 A	3/1989	George et al.	D327,534 S	6/1992	Manville
4,821,674 A	4/1989	deBoer et al.	5,119,760 A	6/1992	McMillan et al.
4,827,430 A	5/1989	Aid et al.	5,124,272 A	6/1992	Saito et al.
4,828,224 A	5/1989	Crabb et al.	5,125,358 A	6/1992	Ueda et al.
4,830,515 A	5/1989	Cortes	5,125,710 A	6/1992	Gianelo
4,837,113 A	6/1989	Luttmer et al.	5,130,003 A	7/1992	Conrad
4,837,185 A	6/1989	Yau et al.	5,134,965 A	8/1992	Tokuda et al.
4,854,263 A	8/1989	Chang et al.	5,137,286 A	8/1992	Whitford
4,854,266 A	8/1989	Simson et al.	5,151,296 A	9/1992	Tokunaga
4,857,137 A	8/1989	Tachi et al.	5,154,301 A	10/1992	Kos
4,857,382 A	8/1989	Liu et al.	5,158,128 A	10/1992	Inoue et al.
4,858,557 A	8/1989	Pozzetti et al.	D330,900 S	11/1992	Wakegijig
4,863,374 A	9/1989	Vukovich	5,167,716 A	12/1992	Boitnott et al.
4,867,629 A	9/1989	Iwasawa et al.	5,167,761 A	12/1992	Westendorp et al.
4,871,523 A	10/1989	Datta et al.	5,174,881 A	12/1992	Iwasaki et al.
4,874,273 A	10/1989	Tokisue et al.	5,176,451 A	1/1993	Sasada
4,880,982 A	11/1989	Hoksaas	5,178,639 A	1/1993	Nishi
4,882,199 A	11/1989	Sadoway et al.	5,178,682 A	1/1993	Tsukamoto et al.
4,886,162 A	12/1989	Ambrogio	5,180,273 A	1/1993	Sakaya et al.
4,916,091 A	4/1990	Freeman et al.	5,180,435 A	1/1993	Markunas et al.
4,917,556 A	4/1990	Stark et al.	5,181,779 A	1/1993	Shia et al.
4,920,918 A	5/1990	Adams et al.	5,182,232 A	1/1993	Chhabra et al.
4,925,388 A	5/1990	Iseki et al.	5,183,511 A	2/1993	Yamazaki et al.
4,931,135 A	6/1990	Horiuchi et al.	5,186,120 A	2/1993	Ohnishi et al.
4,934,831 A	6/1990	Volbrecht	D333,606 S *	3/1993	Kanemitsu ..... D8/360
4,938,815 A	7/1990	McNeilly	5,192,717 A	3/1993	Kawakami
D309,702 S	8/1990	Hall	5,193,912 A	3/1993	Saunders
4,949,671 A	8/1990	Davis et al.	5,193,969 A	3/1993	Rush et al.
4,949,848 A	8/1990	Kos	5,194,401 A	3/1993	Adams et al.
4,950,624 A	8/1990	Inuzima et al.	5,199,603 A	4/1993	Prescott
4,956,538 A	9/1990	Moslehi	5,208,961 A	5/1993	Lajoie
4,958,061 A	9/1990	Wakabayashi et al.	5,213,650 A	5/1993	Wang et al.
D311,126 S	10/1990	Crowley	5,219,226 A	6/1993	James
4,962,063 A	10/1990	Maydan et al.	5,221,556 A	6/1993	Hawkins et al.
4,963,506 A	10/1990	Liaw et al.	5,225,366 A	7/1993	Yoder
4,976,996 A	12/1990	Monkowski et al.	5,226,383 A	7/1993	Bhat
4,978,567 A	12/1990	Miller	5,226,713 A	7/1993	Matsumura
4,984,904 A	1/1991	Nakano et al.	5,226,967 A	7/1993	Chen et al.
4,985,114 A	1/1991	Okudaira	5,228,114 A	7/1993	Suzuki
4,986,215 A	1/1991	Yamada	5,231,062 A	7/1993	Mathers et al.
4,987,102 A	1/1991	Nguyen et al.	5,232,508 A	8/1993	Arena et al.
4,987,856 A	1/1991	Hey	5,234,526 A	8/1993	Chen et al.
4,989,992 A	2/1991	Piai	5,242,501 A	9/1993	McDiarmid
4,991,614 A	2/1991	Hammel	5,242,539 A	9/1993	Kumihashi et al.
5,002,632 A	3/1991	Loewenstein et al.	5,243,195 A	9/1993	Nishi
5,013,691 A	5/1991	Lory et al.	5,243,202 A	9/1993	Mori et al.
5,022,961 A	6/1991	Izumi et al.	5,246,218 A	9/1993	Yap et al.
5,027,746 A	7/1991	Frijlink	5,246,500 A	9/1993	Samata et al.
5,028,366 A	7/1991	Harakal et al.	5,249,960 A	10/1993	Monoe
D320,148 S	9/1991	Andrews	5,250,092 A	10/1993	Nakano
5,049,029 A	9/1991	Mitsui et al.	5,252,133 A	10/1993	Miyazaki et al.
5,053,247 A	10/1991	Moore	5,252,134 A	10/1993	Stauffer
5,057,436 A	10/1991	Ball	5,259,881 A	11/1993	Edwards et al.
5,060,322 A	10/1991	Delepine	5,261,167 A	11/1993	Sakata
5,061,083 A	10/1991	Grimm et al.	5,266,526 A	11/1993	Aoyama
5,062,386 A	11/1991	Christensen	5,268,989 A	12/1993	Moslehi et al.
5,064,337 A	11/1991	Asakawa et al.	5,271,967 A	12/1993	Kramer et al.
5,065,698 A	11/1991	Koike	5,273,609 A	12/1993	Moslehi
5,067,437 A	11/1991	Watanabe et al.	5,277,932 A	1/1994	Spencer
5,069,591 A	12/1991	Kinoshita	5,278,494 A	1/1994	Obigane
5,071,258 A	12/1991	Usher et al.	5,279,886 A	1/1994	Kawai et al.
5,074,017 A	12/1991	Toya et al.	5,279,986 A	1/1994	Maloney et al.
5,082,517 A	1/1992	Moslehi	5,280,894 A	1/1994	Witcraft et al.
5,084,126 A	1/1992	McKee	5,281,274 A	1/1994	Yoder
5,088,444 A	2/1992	Ohmine et al.	5,284,519 A	2/1994	Gadgil
5,097,890 A	3/1992	Nakao	5,288,684 A	2/1994	Yamazaki et al.
5,098,638 A	3/1992	Sawada	5,294,572 A	3/1994	Granneman et al.
5,098,865 A	3/1992	Machado	5,294,778 A	3/1994	Carman et al.
5,104,514 A	4/1992	Quartarone	5,295,777 A	3/1994	Hodos
5,107,170 A	4/1992	Ishikawa et al.	5,298,089 A	3/1994	Bowe et al.
5,108,192 A	4/1992	Mailliet et al.	5,305,417 A	4/1994	Najm et al.
5,110,407 A	5/1992	Ono et al.	5,306,666 A	4/1994	Izumi
5,114,683 A	5/1992	Hirase	5,306,946 A	4/1994	Yamamoto
			5,308,650 A	5/1994	Krummel et al.
			5,308,788 A	5/1994	Fitch et al.
			5,310,410 A	5/1994	Begin et al.
			5,310,456 A	5/1994	Kadomura

(56)

## References Cited

## U.S. PATENT DOCUMENTS

5,312,245 A	5/1994	Brannen et al.	5,512,102 A	4/1996	Yamazaki
5,313,061 A	5/1994	Drew et al.	5,514,439 A	5/1996	Sibley
5,314,538 A	5/1994	Maeda et al.	5,518,549 A	5/1996	Hellwig
5,314,570 A	5/1994	Ikegaya et al.	5,518,780 A	5/1996	Tamor et al.
5,315,092 A	5/1994	Takahashi et al.	5,519,234 A	5/1996	Paz de Araujo
5,320,218 A	6/1994	Yamashita et al.	5,520,743 A	5/1996	Takahashi et al.
5,326,427 A	7/1994	Jerbic	5,523,616 A	6/1996	Yasuhide
5,328,360 A	7/1994	Yokokawa	5,527,111 A	6/1996	Lysen et al.
5,328,810 A	7/1994	Lowrey et al.	5,527,417 A	6/1996	Iida et al.
5,335,309 A	8/1994	Fujii et al.	5,531,218 A	7/1996	Krebs
5,336,327 A	8/1994	Lee	5,531,835 A	7/1996	Fodor et al.
5,338,362 A	8/1994	Imahashi	5,537,311 A	7/1996	Stevens
5,340,261 A	8/1994	Oosawa et al.	5,540,059 A	7/1996	Yokokawa
5,346,961 A	9/1994	Shaw et al.	5,540,821 A	7/1996	Tepman
5,348,774 A	9/1994	Golecki et al.	5,540,898 A	7/1996	Davidson
5,350,480 A	9/1994	Gray	5,554,557 A	9/1996	Koh
5,354,433 A	10/1994	Granneman et al.	5,556,275 A	9/1996	Sakata et al.
5,354,580 A	10/1994	Goela et al.	5,558,717 A	9/1996	Zhao et al.
5,356,478 A	10/1994	Chen et al.	5,559,046 A	9/1996	Oishi et al.
5,356,672 A	10/1994	Schmitt et al.	5,562,383 A	10/1996	Iwai et al.
5,360,269 A	11/1994	Ogawa et al.	5,562,947 A	10/1996	White et al.
5,362,328 A	11/1994	Gardiner et al.	5,562,952 A	10/1996	Nakahigashi et al.
5,364,667 A	11/1994	Rhieu	5,565,038 A	10/1996	Ashley
D353,452 S	12/1994	Groenhoff	5,569,402 A	10/1996	Meisser et al.
5,374,315 A	12/1994	Deboer et al.	5,574,247 A	11/1996	Nishitani et al.
D354,898 S	1/1995	Nagy	5,576,629 A	11/1996	Turner
5,378,501 A	1/1995	Foster et al.	5,577,331 A	11/1996	Suzuki
5,380,367 A	1/1995	Bertone	5,583,736 A	12/1996	Anderson et al.
5,382,311 A	1/1995	Ishikawa et al.	5,584,936 A	12/1996	Pickering et al.
5,387,265 A	2/1995	Kakizaki et al.	5,584,963 A	12/1996	Takahashi
5,388,945 A	2/1995	Game et al.	5,586,585 A	12/1996	Bonora et al.
5,393,577 A	2/1995	Uesugi et al.	5,589,002 A	12/1996	Su
5,397,395 A	3/1995	Sano et al.	5,589,110 A	12/1996	Motoda et al.
5,403,630 A	4/1995	Matsui et al.	5,595,606 A	1/1997	Fujikawa et al.
5,404,082 A	4/1995	Hernandez et al.	5,601,641 A	2/1997	Stephens
5,407,449 A	4/1995	Zinger	5,602,060 A	2/1997	Kobayashi et al.
5,407,867 A	4/1995	Iwasaki et al.	5,604,410 A	2/1997	Vollkommer et al.
5,413,813 A	5/1995	Cruse et al.	5,611,448 A	3/1997	Chen
5,414,221 A	5/1995	Gardner	5,616,264 A	4/1997	Nishi et al.
5,415,753 A	5/1995	Hurwitt et al.	5,616,947 A	4/1997	Tamura
5,418,382 A	5/1995	Blackwood et al.	5,621,982 A	4/1997	Yamashita
5,421,893 A	6/1995	Perlov	5,632,919 A	5/1997	MacCracken et al.
5,422,139 A	6/1995	Fischer	5,637,153 A	6/1997	Niino et al.
5,423,942 A	6/1995	Robbins et al.	D380,527 S	7/1997	Velez
5,426,137 A	6/1995	Allen	5,645,646 A	7/1997	Beinglass et al.
5,427,824 A	6/1995	Inushima et al.	5,650,013 A	7/1997	Yamazaki
5,430,011 A	7/1995	Tanaka et al.	5,650,351 A	7/1997	Wu
5,431,734 A	7/1995	Chapple-Sokol et al.	5,653,807 A	8/1997	Crumbaker
5,443,646 A	8/1995	Yamada et al.	5,656,093 A	8/1997	Burkhart et al.
5,443,648 A	8/1995	Ohkase	5,661,263 A	8/1997	Salvaggio
5,443,686 A	8/1995	Jones et al.	5,662,470 A	9/1997	Huussen et al.
5,444,217 A	8/1995	Moore	5,663,899 A	9/1997	Zvonar et al.
5,447,294 A	9/1995	Sakata et al.	5,665,608 A	9/1997	Chapple-Sokol et al.
5,453,124 A	9/1995	Moslehi et al.	5,667,592 A	9/1997	Boitnott et al.
D363,464 S	10/1995	Fukasawa	5,670,786 A	9/1997	Meyer et al.
5,456,207 A	10/1995	Gedridge et al.	5,679,215 A	10/1997	Barnes et al.
5,456,757 A	10/1995	Aruga et al.	5,681,779 A	10/1997	Pasch et al.
5,461,214 A	10/1995	Peck et al.	D386,076 S	11/1997	Moore
5,462,899 A	10/1995	Ikeda	5,683,517 A	11/1997	Shan
5,463,176 A	10/1995	Eckert	5,683,561 A	11/1997	Hollars et al.
5,464,313 A	11/1995	Ohsawa	5,685,912 A	11/1997	Nishizaka
5,474,410 A	12/1995	Ozawa et al.	5,685,914 A	11/1997	Hills et al.
5,474,612 A	12/1995	Sato et al.	5,690,742 A	11/1997	Ogata et al.
5,478,429 A	12/1995	Komino et al.	5,695,567 A	12/1997	Kordina
5,480,488 A	1/1996	Bittner et al.	5,697,706 A	12/1997	Ciaravino et al.
5,480,818 A	1/1996	Matsumoto et al.	5,698,036 A	12/1997	Ishii et al.
5,482,559 A	1/1996	Imai et al.	5,700,729 A	12/1997	Lee et al.
5,484,484 A	1/1996	Yamaga et al.	5,708,825 A	1/1998	Sotomayor
5,494,439 A	2/1996	Goldstein et al.	5,709,745 A	1/1998	Larkin et al.
5,494,494 A	2/1996	Mizuno et al.	5,711,811 A	1/1998	Suntola et al.
5,496,408 A	3/1996	Motoda et al.	5,716,133 A	2/1998	Hosokawa et al.
5,501,740 A	3/1996	Besen et al.	5,718,574 A	2/1998	Shimazu
5,503,875 A	4/1996	Imai et al.	5,720,927 A	2/1998	Cripe et al.
5,504,042 A	4/1996	Cho et al.	D392,855 S	3/1998	Pillow
5,510,277 A	4/1996	Cunningham et al.	5,724,748 A	3/1998	Brooks
			5,728,223 A	3/1998	Murakami et al.
			5,728,425 A	3/1998	Ebe et al.
			5,730,801 A	3/1998	Tepman et al.
			5,730,802 A	3/1998	Ishizumi et al.

(56)

## References Cited

## U.S. PATENT DOCUMENTS

5,732,597 A	3/1998	Devenyi	D409,894 S	5/1999	McClurg
5,732,744 A	3/1998	Barr et al.	5,904,170 A	5/1999	Harvey et al.
5,732,957 A	3/1998	Yu	D411,516 S	6/1999	Imafuku et al.
5,736,314 A	4/1998	Hayes et al.	5,908,672 A	6/1999	Ryu
5,753,835 A	5/1998	Gustin	5,915,200 A	6/1999	Tokumasu et al.
5,754,390 A	5/1998	Sandhu et al.	5,915,562 A	6/1999	Nyseth et al.
5,759,281 A	6/1998	Gurary et al.	5,916,365 A	6/1999	Sherman
5,761,328 A	6/1998	Solberg et al.	D412,270 S	7/1999	Fredrickson
5,766,365 A	6/1998	Umutoy et al.	5,920,798 A	7/1999	Higuchi et al.
5,768,125 A	6/1998	Zinger et al.	5,928,426 A	7/1999	Aitchison
5,769,952 A	6/1998	Komino	D412,512 S	8/1999	Boisvert
5,775,889 A	7/1998	Kobayashi et al.	5,937,142 A	8/1999	Moslehi et al.
5,777,838 A	7/1998	Tamagawa et al.	5,937,323 A	8/1999	Orczyk et al.
5,779,203 A	7/1998	Edlinger	5,939,886 A	8/1999	Turner et al.
5,781,693 A	7/1998	Ballance et al.	5,947,718 A	9/1999	Weaver
5,782,979 A	7/1998	Kaneno	5,950,327 A	9/1999	Peterson et al.
5,790,750 A	8/1998	Anderson	5,950,925 A	9/1999	Fukunaga et al.
5,791,782 A	8/1998	Wooten et al.	5,954,375 A	9/1999	Trickle et al.
5,792,272 A	8/1998	Van Os et al.	5,961,775 A	10/1999	Fujimura
5,796,074 A	8/1998	Edelstein et al.	5,968,275 A	10/1999	Lee et al.
5,801,104 A	9/1998	Schuegraf et al.	5,970,621 A	10/1999	Bazydola
5,801,945 A	9/1998	Comer	5,972,196 A	10/1999	Murphy et al.
5,804,505 A	9/1998	Yamada et al.	5,975,492 A	11/1999	Brenes
5,806,980 A	9/1998	Berrian	5,976,973 A	11/1999	Ohira et al.
5,813,851 A	9/1998	Nakao	5,979,506 A	11/1999	Aarseth
5,818,716 A	10/1998	Chin et al.	5,982,931 A	11/1999	Ishimaru
5,819,092 A	10/1998	Ferguson et al.	5,984,391 A	11/1999	Vanderpot et al.
5,819,434 A	10/1998	Herchen et al.	5,987,480 A	11/1999	Donohue et al.
5,820,366 A	10/1998	Lee	5,989,342 A	11/1999	Ikeda et al.
5,820,685 A	10/1998	Kurihira et al.	5,992,453 A	11/1999	Zimmer
5,820,686 A	10/1998	Moore	5,997,588 A	12/1999	Goodwin
5,826,129 A	10/1998	Hasebe et al.	5,997,768 A	12/1999	Scully
5,827,420 A	10/1998	Shirazi et al.	5,998,870 A	12/1999	Lee et al.
5,827,435 A	10/1998	Samukawa	6,000,732 A	12/1999	Scheler et al.
5,827,757 A	10/1998	Robinson et al.	6,001,183 A	12/1999	Gurary et al.
5,836,483 A	11/1998	Disel	6,001,267 A	12/1999	Van Os et al.
5,837,058 A	11/1998	Chen et al.	6,004,204 A	12/1999	Luxton et al.
5,837,320 A	11/1998	Hampden-Smith et al.	D419,652 S	1/2000	Hall et al.
5,844,683 A	12/1998	Pavloski et al.	6,013,553 A	1/2000	Wallace
5,846,332 A	12/1998	Zhao et al.	6,013,920 A	1/2000	Gordon et al.
5,851,293 A	12/1998	Lane et al.	6,014,677 A	1/2000	Hayashi et al.
5,851,294 A	12/1998	Young et al.	6,015,459 A	1/2000	Jamison et al.
5,851,299 A	12/1998	Cheng et al.	6,015,465 A	1/2000	Kholodenko et al.
5,852,445 A	12/1998	Yoshikawa et al.	6,017,779 A	1/2000	Miyasaka
5,852,879 A	12/1998	Schumaier	6,017,818 A	1/2000	Lu
5,853,484 A	12/1998	Jeong	6,022,180 A	2/2000	Motoyama et al.
D403,949 S	1/1999	Nakamura	6,022,802 A	2/2000	Jang
D404,370 S	1/1999	Kimura	6,024,799 A	2/2000	Chen et al.
D404,372 S	1/1999	Ishii	6,025,117 A	2/2000	Nakano et al.
5,855,680 A	1/1999	Soininen et al.	6,027,163 A	2/2000	Longenecker et al.
5,855,681 A	1/1999	Maydan et al.	6,029,602 A	2/2000	Bhatnagar
5,855,687 A	1/1999	DuBois et al.	6,030,900 A	2/2000	Grassl et al.
5,855,726 A	1/1999	Soraoka et al.	6,033,215 A	3/2000	Ohsawa
5,857,777 A	1/1999	Schuh	6,035,101 A	3/2000	Sajoto et al.
5,861,233 A	1/1999	Sekine et al.	6,035,804 A	3/2000	Arami et al.
5,862,302 A	1/1999	Okase	6,039,809 A	3/2000	Toyama et al.
5,863,123 A	1/1999	Lee et al.	6,042,652 A	3/2000	Hyun
5,865,205 A	2/1999	Wilmer	6,044,860 A	4/2000	Neu
5,866,795 A	2/1999	Wang et al.	6,045,260 A	4/2000	Schwartz et al.
5,871,586 A	2/1999	Crawley et al.	6,048,154 A	4/2000	Wytman
5,872,065 A	2/1999	Sivaramakrishnan	6,050,506 A	4/2000	Guo et al.
5,873,942 A	2/1999	Park	6,053,982 A	4/2000	Halpin et al.
5,877,095 A	3/1999	Tamura et al.	6,053,983 A	4/2000	Saeki et al.
5,879,128 A	3/1999	Tietz et al.	6,054,013 A	4/2000	Collins et al.
5,879,459 A	3/1999	Gadgil et al.	6,054,678 A	4/2000	Miyazaki
5,880,980 A	3/1999	Rothacher et al.	6,060,691 A	5/2000	Minami et al.
5,882,165 A	3/1999	Maydan et al.	6,060,721 A	5/2000	Huang
5,884,640 A	3/1999	Fishkin et al.	6,063,196 A	5/2000	Li et al.
5,888,304 A	3/1999	Umotoy et al.	6,066,204 A	5/2000	Haven
5,891,251 A	4/1999	MacLeish et al.	6,068,441 A	5/2000	Raaijmakers et al.
5,893,741 A	4/1999	Huang	6,071,572 A	6/2000	Mosely et al.
5,897,348 A	4/1999	Wu	6,072,163 A	6/2000	Armstrong et al.
5,897,378 A	4/1999	Eriguchi	6,073,973 A	6/2000	Boscaljon et al.
5,897,379 A	4/1999	Ulrich et al.	6,074,154 A	6/2000	Ueda et al.
5,897,710 A	4/1999	Sato et al.	6,074,443 A	6/2000	Venkatesh
			6,074,514 A	6/2000	Bjorkman et al.
			6,077,027 A	6/2000	Kawamura et al.
			6,079,356 A	6/2000	Umotoy et al.
			6,079,927 A	6/2000	Muka

(56)

References Cited

U.S. PATENT DOCUMENTS

6,083,321	A	7/2000	Lei et al.	6,203,613	B1	3/2001	Gates et al.
6,086,677	A	7/2000	Umotoy et al.	6,203,618	B1	3/2001	Hashizume et al.
6,090,212	A	7/2000	Mahawili	6,207,932	B1	3/2001	Yoo
6,090,442	A	7/2000	Klaus et al.	6,207,936	B1	3/2001	de Waard
6,090,659	A	7/2000	Laibowitz et al.	6,209,221	B1	4/2001	Beulens
6,091,062	A	7/2000	Pfahnl et al.	6,210,485	B1	4/2001	Zhao et al.
6,093,252	A	7/2000	Wengert et al.	6,212,789	B1	4/2001	Kato
6,093,253	A	7/2000	Lofgren	6,213,708	B1	4/2001	Allen
6,093,611	A	7/2000	Gardner et al.	6,214,122	B1	4/2001	Thompson
6,095,083	A	8/2000	Rice et al.	6,214,717	B1	4/2001	Yan et al.
6,096,133	A	8/2000	Yuuki et al.	6,217,658	B1	4/2001	Orczyk et al.
6,096,267	A	8/2000	Kishkovich	6,217,662	B1	4/2001	Kong et al.
6,099,302	A	8/2000	Hong et al.	6,218,288	B1	4/2001	Li et al.
6,099,649	A	8/2000	Schmitt et al.	6,224,679	B1	5/2001	Sasaki et al.
6,099,651	A	8/2000	Sajoto et al.	6,225,020	B1	5/2001	Jung et al.
6,102,565	A	8/2000	Kita et al.	6,225,602	B1	5/2001	Buijze et al.
6,104,002	A	8/2000	Hirose et al.	6,225,745	B1	5/2001	Srivastava
6,104,011	A	8/2000	Juliano	6,230,650	B1	5/2001	Yamazaki
6,104,401	A	8/2000	Parsons	6,231,290	B1	5/2001	Kikuchi et al.
6,106,625	A	8/2000	Koai et al.	6,235,121	B1	5/2001	Honma et al.
6,106,678	A	8/2000	Shufflebotham	6,235,858	B1	5/2001	Swarup et al.
6,110,531	A	8/2000	Paz de Araujo et al.	6,238,734	B1	5/2001	Senzaki et al.
6,113,703	A	9/2000	Anderson et al.	6,239,402	B1	5/2001	Araki et al.
6,119,710	A	9/2000	Brown	6,239,715	B1	5/2001	Belton
6,121,061	A	9/2000	Van Bilsen et al.	6,240,875	B1	6/2001	Wijck et al.
6,121,158	A	9/2000	Benchikha et al.	6,241,822	B1	6/2001	Ide
6,122,036	A	9/2000	Yamasaki et al.	6,242,359	B1	6/2001	Misra
6,124,600	A	9/2000	Moroishi et al.	6,243,654	B1	6/2001	Johnson et al.
6,125,789	A	10/2000	Gupta et al.	6,245,647	B1	6/2001	Akiyama et al.
6,126,744	A	10/2000	Hawkins et al.	6,245,665	B1	6/2001	Yokoyama
6,126,848	A	10/2000	Li et al.	6,247,245	B1	6/2001	Ishii
6,127,249	A	10/2000	Hu	6,250,250	B1	6/2001	Maishev et al.
6,129,044	A	10/2000	Zhao et al.	6,255,221	B1	7/2001	Hudson et al.
6,129,546	A	10/2000	Sada	6,257,758	B1	7/2001	Culbertson
6,132,207	A	10/2000	Stoutjesdijk	6,261,648	B1	7/2001	Akiba et al.
6,134,807	A	10/2000	Komino	6,264,467	B1	7/2001	Lue et al.
6,135,460	A	10/2000	Wise et al.	6,265,113	B1	7/2001	Rosasco et al.
6,137,240	A	10/2000	Bogdan	6,265,311	B1	7/2001	Hautala et al.
6,139,239	A	10/2000	Snijders	6,270,572	B1	8/2001	Kim et al.
6,139,983	A	10/2000	Ohashi et al.	6,271,148	B1	8/2001	Kao
6,140,252	A	10/2000	Cho et al.	6,271,320	B1	8/2001	Keller et al.
6,143,079	A	11/2000	Halpin	6,274,496	B1	8/2001	Leusink et al.
6,143,082	A	11/2000	McInerney et al.	6,274,878	B1	8/2001	Li et al.
6,143,129	A	11/2000	Savas et al.	6,281,098	B1	8/2001	Wang
6,146,463	A	11/2000	Yudovsky et al.	6,281,141	B1	8/2001	Das et al.
6,148,761	A	11/2000	Majewski et al.	6,283,692	B1	9/2001	Perlov et al.
6,151,446	A	11/2000	Hunter et al.	6,284,050	B1	9/2001	Shi et al.
6,152,070	A	11/2000	Fairbairn et al.	6,284,149	B1	9/2001	Li et al.
6,152,669	A	11/2000	Morita et al.	6,287,965	B1	9/2001	Kang et al.
6,156,151	A	12/2000	Komino et al.	6,287,988	B1	9/2001	Nagamine et al.
6,158,941	A	12/2000	Muka et al.	6,293,700	B1	9/2001	Lund et al.
6,159,301	A	12/2000	Sato et al.	D449,873	S	10/2001	Bronson
6,160,244	A	12/2000	Ohashi	6,296,710	B1	10/2001	Allen et al.
6,161,500	A	12/2000	Kopacz et al.	6,296,711	B1	10/2001	Loan et al.
6,162,323	A	12/2000	Koshimizu	6,296,909	B1	10/2001	Spitsberg
6,164,894	A	12/2000	Cheng	6,297,539	B1	10/2001	Ma et al.
6,174,809	B1	1/2001	Kang et al.	6,299,133	B2	10/2001	Waragai et al.
6,176,929	B1	1/2001	Fukunaga et al.	6,302,964	B1	10/2001	Umotoy et al.
6,177,688	B1	1/2001	Linthicum et al.	6,303,523	B2	10/2001	Cheung
6,178,918	B1	1/2001	Van Os et al.	6,305,898	B1	10/2001	Yamagishi et al.
6,179,955	B1	1/2001	Shin et al.	6,311,016	B1	10/2001	Yanagawa et al.
6,180,979	B1	1/2001	Hofman et al.	6,312,525	B1	11/2001	Bright et al.
6,182,603	B1	2/2001	Shang et al.	6,315,512	B1	11/2001	Tabrizi et al.
6,183,564	B1	2/2001	Reynolds et al.	6,316,162	B1	11/2001	Jung et al.
6,183,565	B1	2/2001	Granneman et al.	6,316,371	B1	11/2001	Oosterlaken et al.
6,187,672	B1	2/2001	Zhao et al.	6,320,320	B1	11/2001	Bailey et al.
6,187,691	B1	2/2001	Fukuda	6,321,680	B2	11/2001	Cook et al.
6,189,482	B1	2/2001	Zhao et al.	6,321,780	B1	11/2001	Iwabuchi
6,190,037	B1	2/2001	Das et al.	D451,893	S	12/2001	Robson
6,190,113	B1	2/2001	Bui et al.	D452,220	S	12/2001	Robson
6,190,634	B1	2/2001	Lieber et al.	6,325,858	B1	12/2001	Wengert
6,191,399	B1	2/2001	Van Bilsen	6,326,322	B1	12/2001	Kim et al.
6,194,037	B1	2/2001	Terasaki et al.	6,326,597	B1	12/2001	Lubomirsky et al.
6,200,897	B1	3/2001	Wang et al.	6,328,561	B1	12/2001	Hasper et al.
6,201,999	B1	3/2001	Jevtic	6,328,864	B1	12/2001	Ishizawa et al.
				6,329,297	B1	12/2001	Balish
				6,333,275	B1	12/2001	Mayer et al.
				6,335,049	B1	1/2002	Basceri
				6,335,240	B1	1/2002	Kim et al.

(56)

## References Cited

## U.S. PATENT DOCUMENTS

6,335,293	B1	1/2002	Luo et al.	6,455,445	B2	9/2002	Matsuki
6,342,427	B1	1/2002	Choi et al.	6,460,482	B1	10/2002	Kuibira et al.
6,343,239	B1	1/2002	Toda et al.	6,461,435	B1	10/2002	Littau et al.
6,344,084	B1	2/2002	Koinuma et al.	6,461,436	B1	10/2002	Campbell et al.
6,344,232	B1	2/2002	Jones et al.	6,461,439	B1	10/2002	Granneman et al.
6,346,419	B1	2/2002	Ryerson et al.	6,462,310	B1	10/2002	Ratliff et al.
6,347,636	B1	2/2002	Xia	6,464,825	B1	10/2002	Shinozaki
6,350,391	B1	2/2002	Livshits et al.	6,468,924	B2	10/2002	Lee
6,352,049	B1	3/2002	Yin et al.	6,471,779	B1	10/2002	Nishio et al.
6,352,945	B1	3/2002	Matsuki	6,472,266	B1	10/2002	Yu et al.
6,357,984	B1	3/2002	Zinger et al.	6,474,987	B1	11/2002	Huang et al.
6,363,294	B1	3/2002	Coronel et al.	6,475,276	B1	11/2002	Elers et al.
D455,024	S	4/2002	Mimick et al.	6,475,902	B1	11/2002	Hausmann et al.
6,367,410	B1	4/2002	Leahy et al.	6,475,930	B1	11/2002	Junker et al.
6,368,773	B1	4/2002	Jung et al.	6,478,872	B1	11/2002	Chae et al.
6,368,987	B1	4/2002	Kopacz et al.	6,481,945	B1	11/2002	Hasper et al.
6,370,796	B1	4/2002	Zucker	6,482,331	B2	11/2002	Lu et al.
6,372,583	B1	4/2002	Tyagi	6,482,663	B1	11/2002	Buckland
6,374,831	B1	4/2002	Chandran	6,483,989	B1	11/2002	Okada et al.
6,375,312	B1	4/2002	Ikeda et al.	6,488,774	B1	12/2002	Horie et al.
6,375,749	B1	4/2002	Boydston et al.	6,490,493	B1	12/2002	Dharnipragada
6,375,750	B1	4/2002	Van Os et al.	6,492,625	B1	12/2002	Boguslavskiy et al.
6,379,466	B1	4/2002	Sahin et al.	6,494,065	B2	12/2002	Babbitt
D457,609	S	5/2002	Piano	6,494,998	B1	12/2002	Brcka
6,383,300	B1	5/2002	Saito et al.	6,496,819	B1	12/2002	Bello et al.
6,383,566	B1	5/2002	Zagdoun	6,497,734	B1	12/2002	Barber et al.
6,383,955	B1	5/2002	Matsuki	6,497,767	B1	12/2002	Okase et al.
6,387,207	B1	5/2002	Janakiraman	6,498,091	B1	12/2002	Chen et al.
6,387,823	B1	5/2002	Sonderman et al.	6,499,533	B2	12/2002	Yamada
6,387,827	B1	5/2002	Mertens et al.	6,500,487	B1	12/2002	Holst et al.
6,390,753	B1	5/2002	de Ridder et al.	6,502,530	B1	1/2003	Turlot et al.
6,390,754	B2	5/2002	Yamaga et al.	6,503,079	B2	1/2003	Kogano et al.
6,391,803	B1	5/2002	Kim et al.	6,503,330	B1	1/2003	Sneh et al.
6,395,650	B1	5/2002	Callegari et al.	6,503,365	B1	1/2003	Kim et al.
6,398,184	B1	6/2002	Sowada et al.	6,503,562	B1	1/2003	Saito et al.
6,399,022	B1	6/2002	Schuler et al.	6,503,826	B1	1/2003	Oda
6,402,806	B1	6/2002	Schmitt et al.	6,506,009	B1	1/2003	Nulman et al.
6,410,433	B1	6/2002	Hautala et al.	6,506,253	B2	1/2003	Sakuma
6,410,459	B2	6/2002	Blalock et al.	6,507,410	B1	1/2003	Robertson et al.
6,410,463	B1	6/2002	Matsuki	6,511,539	B1	1/2003	Raaijmakers
6,413,321	B1	7/2002	Kim et al.	6,514,313	B1	2/2003	Spiegelman
6,413,583	B1	7/2002	Moghadam et al.	6,514,666	B1	2/2003	Choi et al.
6,420,279	B1	7/2002	Ono et al.	6,521,295	B1	2/2003	Remington
6,423,949	B1	7/2002	Chen et al.	6,521,547	B1	2/2003	Chang et al.
D461,233	S	8/2002	Whalen	6,527,884	B1	3/2003	Takakuwa et al.
D461,882	S	8/2002	Piano	6,528,171	B1	3/2003	Endler et al.
6,428,859	B1	8/2002	Chiang et al.	6,528,430	B2	3/2003	Kwan
6,429,465	B1	8/2002	Yagi et al.	6,528,752	B1	3/2003	Ishii et al.
6,432,206	B1	8/2002	Tolt	6,528,767	B2	3/2003	Bagley et al.
6,432,255	B1	8/2002	Sun et al.	6,530,994	B1	3/2003	Mahawili
6,432,479	B2	8/2002	Chang et al.	6,531,193	B2	3/2003	Fonash et al.
6,432,849	B1	8/2002	Endo et al.	6,531,412	B2	3/2003	Conti et al.
6,433,298	B1	8/2002	Ishii	6,534,133	B1	3/2003	Kaloyeros et al.
6,435,798	B1	8/2002	Satoh	6,534,395	B2	3/2003	Werkhoven et al.
6,435,865	B1	8/2002	Tseng et al.	6,536,950	B1	3/2003	Green
6,436,819	B1	8/2002	Zhang	6,539,891	B1	4/2003	Kang et al.
6,437,444	B2	8/2002	Andideh	6,540,469	B2	4/2003	Matsunaga et al.
6,438,502	B1	8/2002	Awtrey	6,540,838	B2	4/2003	Sneh et al.
6,439,822	B1	8/2002	Kimura et al.	6,544,906	B2	4/2003	Rotondaro et al.
6,440,261	B1	8/2002	Tepman et al.	6,552,209	B1	4/2003	Lei et al.
6,441,350	B1	8/2002	Stoddard et al.	6,558,517	B2	5/2003	Basceri
6,445,574	B1	9/2002	Saw et al.	6,558,755	B2	5/2003	Berry et al.
6,446,573	B2	9/2002	Hirayama et al.	6,559,026	B1	5/2003	Rossmann et al.
6,447,232	B1	9/2002	Davis et al.	6,562,094	B2	5/2003	Denker et al.
6,447,651	B1	9/2002	Ishikawa et al.	6,565,763	B1	5/2003	Asakawa et al.
6,447,937	B1	9/2002	Murakawa et al.	6,566,278	B1	5/2003	Harvey et al.
6,448,192	B1	9/2002	Kaushik	6,569,239	B2	5/2003	Arai et al.
6,450,117	B1	9/2002	Murugesu et al.	6,569,971	B2	5/2003	Roh et al.
6,450,757	B1	9/2002	Saeki	6,573,030	B1	6/2003	Fairbairn et al.
6,451,713	B1	9/2002	Tay et al.	6,574,644	B2	6/2003	Hsu et al.
6,452,017	B1	9/2002	Uhlenbrock et al.	6,576,062	B2	6/2003	Matsuse
6,454,860	B2	9/2002	Metzner et al.	6,576,064	B2	6/2003	Griffiths et al.
6,454,909	B1	9/2002	Matsuse et al.	6,576,300	B1	6/2003	Berry et al.
6,455,098	B2	9/2002	Tran et al.	6,576,564	B2	6/2003	Agarwal
6,455,225	B1	9/2002	Kong et al.	6,578,589	B1	6/2003	Mayusumi
				6,579,833	B1	6/2003	McNallan et al.
				6,580,050	B1	6/2003	Miller et al.
				6,582,174	B1	6/2003	Hayashi
				6,583,048	B2	6/2003	Vincent et al.

(56)

## References Cited

## U.S. PATENT DOCUMENTS

6,583,572 B2	6/2003	Veltrop et al.	6,722,837 B2	4/2004	Inui
6,587,108 B1	7/2003	Guerlain et al.	6,723,642 B1	4/2004	Lim et al.
6,589,352 B1	7/2003	Yudovsky et al.	6,730,614 B1	5/2004	Lim et al.
6,589,707 B2	7/2003	Lee et al.	6,732,006 B2	5/2004	Haanstra et al.
6,589,868 B2	7/2003	Rossmann	6,734,090 B2	5/2004	Agarwala et al.
6,590,251 B2	7/2003	Kang et al.	6,734,631 B2	5/2004	Juestel et al.
6,594,550 B1	7/2003	Okrah	6,737,716 B1	5/2004	Matsuo et al.
6,596,398 B1	7/2003	Russo et al.	6,740,853 B1	5/2004	Johnson et al.
6,596,653 B2	7/2003	Tan	6,743,475 B2	6/2004	Skarp et al.
6,598,559 B1	7/2003	Vellore et al.	6,743,738 B2	6/2004	Todd et al.
6,602,806 B1	8/2003	Xia et al.	6,745,095 B1	6/2004	Ben-Dov
6,607,602 B1	8/2003	Granneman et al.	6,746,240 B2	6/2004	de Ridder et al.
6,607,868 B2	8/2003	Choi	6,746,308 B1	6/2004	Bode et al.
6,607,948 B1	8/2003	Sugiyama et al.	6,749,671 B2	6/2004	Holst et al.
6,608,745 B2	8/2003	Tsuruta et al.	6,753,507 B2	6/2004	Fure et al.
6,610,375 B2	8/2003	Akiba et al.	6,755,221 B2	6/2004	Jeong et al.
6,613,685 B1	9/2003	Granneman et al.	6,756,085 B2	6/2004	Waldfried
6,616,986 B2	9/2003	Sherman	6,756,293 B2	6/2004	Li et al.
6,617,253 B1	9/2003	Chu et al.	6,756,318 B2	6/2004	Nguyen et al.
6,620,251 B2	9/2003	Kitano	6,759,098 B2	7/2004	Han
6,623,799 B1	9/2003	Lee et al.	6,760,981 B2	7/2004	Leap
6,624,064 B1	9/2003	Sahin	6,766,545 B2	7/2004	Hodges
6,627,268 B1	9/2003	Fair et al.	6,767,447 B2	7/2004	Uno et al.
6,627,503 B2	9/2003	Ma et al.	D494,552 S	8/2004	Tezuka et al.
6,630,030 B1	10/2003	Suntola et al.	6,776,849 B2	8/2004	Aggarwal et al.
6,632,478 B2	10/2003	Gaillard et al.	6,780,704 B1	8/2004	Raaijmakers et al.
6,633,364 B2	10/2003	Hayashi	6,783,875 B2	8/2004	Yamada et al.
6,635,115 B1	10/2003	Fairbairn et al.	6,784,033 B1	8/2004	Yamazaki
6,635,117 B1	10/2003	Kinnard et al.	6,784,108 B1	8/2004	Donohoe et al.
6,635,578 B1	10/2003	Xu et al.	D496,008 S	9/2004	Takahashi et al.
6,638,839 B2	10/2003	Deng et al.	6,786,997 B1	9/2004	Yamazaki
6,640,145 B2	10/2003	Hoffberg et al.	D497,536 S	10/2004	Fujiwara
6,645,304 B2	11/2003	Yamaguchi	D497,977 S	11/2004	Engelbrektsson
6,648,974 B1	11/2003	Ogliari et al.	6,811,960 B2	11/2004	Lee et al.
6,649,921 B1	11/2003	Cekic et al.	6,812,157 B1	11/2004	Gadgil
6,652,924 B2	11/2003	Sherman	6,815,350 B2	11/2004	Kim et al.
6,656,281 B1	12/2003	Ueda	6,815,352 B1	11/2004	Tamura et al.
6,656,282 B2	12/2003	Kim et al.	6,818,566 B2	11/2004	Leeson et al.
6,658,933 B2	12/2003	Allegre et al.	6,818,864 B2	11/2004	Ptak
6,659,111 B1	12/2003	Mouri et al.	6,820,570 B2	11/2004	Kilpela et al.
6,660,662 B2	12/2003	Ishikawa et al.	6,821,889 B2	11/2004	Elers et al.
6,662,817 B2	12/2003	Yamagishi	6,821,910 B2	11/2004	Adomaitis et al.
6,663,332 B1	12/2003	Sluijk et al.	6,824,665 B2	11/2004	Shelnut et al.
6,673,196 B1	1/2004	Oyabu	6,825,106 B1	11/2004	Gao et al.
6,676,290 B1	1/2004	Lu	6,825,134 B2	11/2004	Law et al.
6,676,759 B1	1/2004	Takagi	D499,620 S	12/2004	Horner-Richardson et al.
6,679,194 B2	1/2004	Ham et al.	6,827,789 B2	12/2004	Lee et al.
6,682,971 B2	1/2004	Tsuneda et al.	6,828,235 B2	12/2004	Takano
6,682,973 B1	1/2004	Paton et al.	6,831,004 B2	12/2004	Byun
6,683,274 B1	1/2004	Kwon et al.	6,833,024 B2	12/2004	Holst et al.
D486,891 S	2/2004	Cronce	6,835,039 B2	12/2004	Van Den Berg
6,684,659 B1	2/2004	Tanaka et al.	6,838,122 B2	1/2005	Basceri et al.
6,684,719 B2	2/2004	Gehner et al.	6,841,201 B2	1/2005	Shanov et al.
6,686,281 B2	2/2004	Yamazaki et al.	6,843,202 B2	1/2005	Kusuda
6,688,784 B1	2/2004	Templeton	6,843,858 B2	1/2005	Rossmann
6,689,220 B1	2/2004	Nguyen	6,846,146 B2	1/2005	Inui
6,692,575 B1	2/2004	Omstead et al.	6,846,515 B2	1/2005	Vrtis
6,692,576 B2	2/2004	Halpin et al.	6,846,742 B2	1/2005	Rossmann
6,692,903 B2	2/2004	Chen et al.	6,847,014 B1	1/2005	Benjamin et al.
6,696,367 B1	2/2004	Aggarwal	6,849,241 B2	2/2005	Dauelsberg et al.
6,699,003 B2	3/2004	Saeki	6,849,857 B2	2/2005	Ichiki et al.
6,699,399 B1	3/2004	Qian et al.	6,854,580 B2	2/2005	Braford
6,700,089 B1	3/2004	Hirooka	6,858,524 B2	2/2005	Haukka et al.
6,709,989 B2	3/2004	Ramdani et al.	6,858,547 B2	2/2005	Metzner
6,710,364 B2	3/2004	Guldi et al.	6,861,642 B2	3/2005	Ichiki et al.
6,710,857 B2	3/2004	Kondo	6,863,019 B2	3/2005	Shamouilian
6,712,949 B2	3/2004	Gopal	6,863,281 B2	3/2005	Endou et al.
6,713,824 B1	3/2004	Mikata	6,864,041 B2	3/2005	Brown
6,715,949 B1	4/2004	Fisher et al.	6,867,086 B1	3/2005	Chen et al.
6,716,477 B1	4/2004	Komiyama et al.	6,867,153 B2	3/2005	Tokunaga
6,716,571 B2	4/2004	Gabriel	6,867,859 B1	3/2005	Powell
6,719,499 B1	4/2004	Kuznetsov et al.	6,872,258 B2	3/2005	Park et al.
6,720,260 B1	4/2004	Fair et al.	6,872,259 B2	3/2005	Strang
6,720,262 B2	4/2004	Koh et al.	D504,142 S	4/2005	Horner-Richardson et al.
6,720,531 B1	4/2004	Jacobson et al.	6,874,247 B1	4/2005	Hsu
			6,874,480 B1	4/2005	Ismailov
			6,875,477 B2	4/2005	Trickett et al.
			6,875,677 B1	4/2005	Conley, Jr. et al.
			6,876,017 B2	4/2005	Goodner



(56)

## References Cited

## U.S. PATENT DOCUMENTS

6,876,191	B2	4/2005	de Ridder	D525,127	S	7/2006	Cogley et al.
6,878,206	B2	4/2005	Tzu et al.	7,070,178	B2	7/2006	Van Der Toorn et al.
6,878,402	B2	4/2005	Chiang et al.	7,071,051	B1	7/2006	Jeon et al.
6,883,733	B1	4/2005	Lind	7,073,834	B2	7/2006	Matsumoto et al.
6,884,066	B2	4/2005	Nguyen et al.	7,074,690	B1	7/2006	Gauri et al.
6,884,295	B2	4/2005	Ishii	7,077,614	B1	7/2006	Hasper et al.
6,884,319	B2	4/2005	Kim	7,080,545	B2	7/2006	Dimeo et al.
6,884,475	B2	4/2005	Basceri	7,084,060	B1	8/2006	Furukawa
D505,590	S	5/2005	Greiner	7,084,079	B2	8/2006	Conti et al.
6,889,211	B1	5/2005	Yoshiura et al.	7,085,623	B2	8/2006	Siegers
6,889,864	B2	5/2005	Lindfors et al.	7,086,347	B2	8/2006	Howald et al.
6,890,596	B2	5/2005	Sarigiannis et al.	7,088,003	B2	8/2006	Gates et al.
6,895,158	B2	5/2005	Alyward et al.	7,090,394	B2	8/2006	Hashikura et al.
6,899,507	B2	5/2005	Yamagishi et al.	7,092,287	B2	8/2006	Beulens et al.
6,902,395	B2	6/2005	Oosterlaken et al.	7,098,149	B2	8/2006	Lukas
6,902,647	B2	6/2005	Hasper	7,098,150	B2	8/2006	Misra et al.
6,909,839	B2	6/2005	Wang et al.	7,100,459	B2	9/2006	Gehner et al.
6,911,092	B2	6/2005	Sneh	7,101,763	B1	9/2006	Anderson et al.
6,913,152	B2	7/2005	Zuk	7,108,753	B2	9/2006	Wood
6,913,796	B2	7/2005	Albano et al.	7,109,098	B1	9/2006	Ramaswamy et al.
6,916,398	B2	7/2005	Chen et al.	7,109,114	B2	9/2006	Chen et al.
6,916,559	B2	7/2005	Murakawa et al.	7,111,232	B1	9/2006	Bascom
6,917,755	B2	7/2005	Nguyen et al.	7,115,305	B2	10/2006	Bronikowski et al.
6,924,078	B2	8/2005	Lee et al.	7,115,838	B2	10/2006	Kurara et al.
6,928,890	B2	8/2005	Gehner et al.	7,122,085	B2	10/2006	Shero et al.
6,929,699	B2	8/2005	Whitesell	7,122,222	B2	10/2006	Xiao et al.
6,929,700	B2	8/2005	Tan et al.	7,122,844	B2	10/2006	Nakamura et al.
6,930,041	B2	8/2005	Agarwal	7,129,165	B2	10/2006	Basol et al.
6,930,059	B2	8/2005	Conley, Jr. et al.	7,132,360	B2	11/2006	Schaeffer et al.
6,935,269	B2	8/2005	Lee et al.	7,135,421	B2	11/2006	Ahn et al.
6,939,579	B2	9/2005	Bondestam et al.	7,140,558	B2	11/2006	McCracken et al.
6,939,817	B2	9/2005	Sandhu et al.	7,141,499	B2	11/2006	Raaijmakers
6,942,753	B2	9/2005	Choi et al.	7,143,897	B1	12/2006	Guzman et al.
6,949,204	B1	9/2005	Lenz et al.	7,144,806	B1	12/2006	Fair et al.
6,951,587	B1	10/2005	Narushima	7,144,809	B2	12/2006	Elers et al.
6,952,656	B1	10/2005	Cordova et al.	7,147,766	B2	12/2006	Uzoh et al.
6,953,609	B2	10/2005	Carollo	7,153,542	B2	12/2006	Nguyen et al.
6,955,741	B2	10/2005	Yamagishi	D535,673	S	1/2007	Conway et al.
6,955,836	B2	10/2005	Kumagai et al.	7,156,380	B2	1/2007	Soininen
6,955,928	B1	10/2005	Brennan	7,163,393	B2	1/2007	Adachi et al.
6,963,052	B2	11/2005	Kuibira et al.	7,163,721	B2	1/2007	Zhang et al.
6,972,055	B2	12/2005	Sferlazzo	7,163,900	B2	1/2007	Weber
6,972,478	B1	12/2005	Waite et al.	7,168,852	B2	1/2007	Linnarsson
6,974,781	B2	12/2005	Timmermans et al.	7,172,497	B2	2/2007	Basol et al.
6,975,921	B2	12/2005	Verhaar	7,173,216	B2	2/2007	Ptak
6,976,822	B2	12/2005	Woodruff	7,183,229	B2	2/2007	Yamanaka
RE38,937	E	1/2006	Nakamura	7,186,648	B1	3/2007	Rozbicki
6,981,832	B2	1/2006	Zinger et al.	7,192,824	B2	3/2007	Ahn et al.
6,982,046	B2	1/2006	Srivastava et al.	7,192,892	B2	3/2007	Ahn et al.
6,982,103	B2	1/2006	Basceri et al.	7,195,479	B2	3/2007	Beatty et al.
6,984,591	B1	1/2006	Buchanan et al.	7,195,693	B2	3/2007	Cowans
6,984,595	B1	1/2006	Yamazaki	D541,125	S	4/2007	Gaudron
6,985,788	B2	1/2006	Haanstra et al.	7,198,447	B2	4/2007	Morimitsu et al.
6,986,914	B2	1/2006	Elers et al.	7,199,513	B2	4/2007	Huber et al.
6,987,155	B2	1/2006	Roh et al.	7,201,943	B2	4/2007	Park et al.
6,990,430	B2	1/2006	Hosek	7,202,148	B2	4/2007	Chen et al.
7,005,227	B2	2/2006	Yueh et al.	7,202,512	B2	4/2007	Chen et al.
7,005,391	B2	2/2006	Min	7,204,886	B2	4/2007	Chen et al.
7,008,879	B2	3/2006	Lee et al.	7,204,887	B2	4/2007	Kawamura et al.
7,010,580	B1	3/2006	Fu et al.	7,205,246	B2	4/2007	MacNeil et al.
7,017,514	B1	3/2006	Shepherd et al.	7,205,247	B2	4/2007	Lee et al.
7,018,941	B2	3/2006	Cui et al.	7,207,763	B2	4/2007	Lee
7,021,330	B2	4/2006	Maula et al.	7,208,198	B2	4/2007	Basceri et al.
7,021,881	B2	4/2006	Yamagishi	7,208,389	B1	4/2007	Tipton et al.
7,036,453	B2	5/2006	Ishikawa et al.	7,210,925	B2	5/2007	Adachi
7,041,609	B2	5/2006	Vaartstra	7,211,524	B2	5/2007	Ryu et al.
7,045,430	B2	5/2006	Ahn et al.	7,211,525	B1	5/2007	Shanker
7,049,226	B2	5/2006	Chung et al.	7,214,630	B1	5/2007	Varadarajan et al.
7,049,247	B2	5/2006	Gates et al.	7,217,617	B2	5/2007	Basceri
7,052,584	B2	5/2006	Basceri	7,223,014	B2	5/2007	Lojen
7,053,009	B2	5/2006	Conley, Jr. et al.	7,208,413	B2	6/2007	Byun et al.
7,055,263	B2	6/2006	Wu et al.	7,229,502	B2	6/2007	Wang et al.
7,055,875	B2	6/2006	Bonora	7,234,476	B2	6/2007	Arai
7,062,161	B2	6/2006	Kusuda et al.	7,235,137	B2	6/2007	Kitayama et al.
D524,600	S	7/2006	Austin et al.	7,235,482	B2	6/2007	Wu
				7,235,501	B2	6/2007	Ahn et al.
				7,238,596	B2	7/2007	Kouvetakis et al.
				7,238,616	B2	7/2007	Agarwal
				7,238,653	B2	7/2007	Lee et al.

(56)

## References Cited

## U.S. PATENT DOCUMENTS

D549,815 S	8/2007	Murphy	7,456,429 B2	11/2008	Levy
7,256,375 B2	8/2007	Oosterlaken	D583,395 S	12/2008	Ueda
7,265,061 B1	9/2007	Cho et al.	7,467,632 B2	12/2008	Lee et al.
7,274,867 B2	9/2007	Peukert	7,473,655 B2	1/2009	Wang et al.
D553,104 S	10/2007	Oohashi et al.	7,475,588 B2	1/2009	Dimeo et al.
7,279,256 B2	10/2007	Son	7,476,291 B2	1/2009	Wang et al.
7,290,813 B2	11/2007	Bonora	7,479,198 B2	1/2009	Guffrey
7,294,581 B2	11/2007	Haverkort et al.	7,482,247 B1	1/2009	Papasouliotis
7,296,460 B2	11/2007	Dimeo et al.	7,482,283 B2	1/2009	Yamasaki et al.
7,297,641 B2	11/2007	Todd et al.	D585,968 S	2/2009	Elkins et al.
7,298,009 B2	11/2007	Yan et al.	7,489,389 B2	2/2009	Shibazaki et al.
7,301,623 B1	11/2007	Madsen et al.	7,494,882 B2	2/2009	Vitale
D556,704 S	12/2007	Nakamura et al.	7,497,614 B2	3/2009	Gaff
D557,226 S	12/2007	Uchino et al.	7,498,242 B2	3/2009	Kumar et al.
D558,021 S	12/2007	Lawrence	7,501,292 B2	3/2009	Matsushita et al.
7,307,028 B2	12/2007	Goto et al.	7,501,355 B2	3/2009	Bhatia et al.
7,307,178 B2	12/2007	Kiyomori et al.	7,503,980 B2	3/2009	Kida et al.
7,311,977 B2	12/2007	Yokota et al.	7,504,344 B2	3/2009	Matsuki et al.
7,312,148 B2	12/2007	Ramaswamy et al.	D590,933 S	4/2009	Vansell
7,312,162 B2	12/2007	Ramaswamy et al.	7,514,058 B1	4/2009	Hitzman et al.
7,312,494 B2	12/2007	Ahn et al.	7,514,375 B1	4/2009	Shanker et al.
D559,993 S	1/2008	Nagakubo et al.	D593,585 S	6/2009	Ota et al.
D559,994 S	1/2008	Nagakubo et al.	D593,969 S	6/2009	Li
7,320,544 B2	1/2008	Hsieh	7,541,297 B2	6/2009	Mallick et al.
7,323,401 B2	1/2008	Ramaswamy et al.	7,544,398 B1	6/2009	Chang et al.
D562,357 S	2/2008	Hardy	7,547,363 B2	6/2009	Tomiyasu et al.
7,326,656 B2	2/2008	Brask et al.	7,547,633 B2	6/2009	Ranish et al.
7,326,657 B2	2/2008	Xia et al.	7,550,396 B2	6/2009	Frohberg et al.
7,327,948 B1	2/2008	Shrinivasan	D596,476 S	7/2009	Welch
7,329,947 B2	2/2008	Adachi et al.	7,561,982 B2	7/2009	Rund et al.
7,335,611 B2	2/2008	Ramaswamy et al.	7,563,715 B2	7/2009	Haukka et al.
7,351,057 B2	4/2008	Berenbak et al.	7,566,891 B2	7/2009	Rocha-Alvarez et al.
7,354,482 B2	4/2008	Konishi et al.	7,569,193 B2	8/2009	Ferron et al.
7,354,847 B2	4/2008	Chan et al.	7,575,968 B2	8/2009	Sadaka et al.
7,354,873 B2	4/2008	Fukazawa et al.	7,579,285 B2	8/2009	Zimmerman et al.
7,356,762 B2	4/2008	van Driel	7,579,785 B2	8/2009	Shinmen et al.
7,357,138 B2	4/2008	Ji et al.	D600,223 S	9/2009	Aggarwal
7,361,447 B2	4/2008	Jung	D600,660 S *	9/2009	Sato ..... D13/179
7,375,035 B2	5/2008	Heden et al.	7,582,555 B1	9/2009	Lang
7,376,520 B2	5/2008	Wong	7,582,575 B2	9/2009	Fukazawa et al.
7,378,618 B1	5/2008	Sorabji et al.	7,589,003 B2	9/2009	Kouvetakis et al.
7,379,785 B2	5/2008	Higashi et al.	7,589,028 B1	9/2009	Cho et al.
D570,310 S *	6/2008	Sasaki ..... D13/182	7,589,029 B2	9/2009	Derderian et al.
D571,383 S	6/2008	Ota et al.	7,591,601 B2	9/2009	Matsuoka et al.
D571,831 S	6/2008	Ota et al.	7,591,907 B2 *	9/2009	Chen ..... C23C 16/45582 118/715
7,381,644 B1	6/2008	Soubramonium et al.	D602,575 S	10/2009	Breda
7,387,685 B2	6/2008	Choi et al.	7,598,513 B2	10/2009	Kouvetakis et al.
7,393,207 B2	7/2008	Imai	7,601,223 B2	10/2009	Lindfors et al.
7,393,418 B2	7/2008	Yokogawa	7,601,225 B2	10/2009	Tuominen et al.
7,393,736 B2	7/2008	Ahn et al.	7,601,652 B2	10/2009	Singh et al.
7,393,765 B2	7/2008	Hanawa et al.	7,611,640 B1	11/2009	Howald et al.
7,396,491 B2	7/2008	Marking et al.	7,611,751 B2	11/2009	Elers
7,399,388 B2	7/2008	Moghadam et al.	7,611,980 B2	11/2009	Wells et al.
7,399,570 B2	7/2008	Lee et al.	7,618,226 B2	11/2009	Takizawa
7,402,534 B2	7/2008	Mahajani	7,621,672 B2	11/2009	Ripley
7,405,166 B2	7/2008	Liang et al.	7,622,369 B1	11/2009	Lee et al.
7,405,454 B2	7/2008	Ahn et al.	7,622,378 B2	11/2009	Liu et al.
D575,713 S	8/2008	Ratcliffe	7,623,940 B2	11/2009	Huskamp et al.
7,408,225 B2	8/2008	Shinriki et al.	D606,952 S	12/2009	Lee et al.
7,410,290 B2	8/2008	Tanaka	7,625,820 B1	12/2009	Papasouliotis
7,410,666 B2	8/2008	Elers	7,629,277 B2	12/2009	Ghatnagar
7,411,352 B2	8/2008	Madocks	7,632,549 B2	12/2009	Goundar
7,414,281 B1	8/2008	Fastow	7,638,951 B2	12/2009	DeVincentis et al.
D576,001 S	9/2008	Brunderman	7,640,142 B2	12/2009	Tachikawa et al.
7,422,635 B2	9/2008	Zheng et al.	7,645,341 B2	1/2010	Kennedy et al.
7,422,636 B2	9/2008	Ishizaka	7,645,484 B2	1/2010	Ishizaka
7,422,653 B2	9/2008	Blahnik et al.	7,648,895 B2	1/2010	Kurokawa et al.
7,422,775 B2	9/2008	Ramaswamy et al.	7,648,927 B2	1/2010	Singh et al.
7,425,224 B2	9/2008	Nguyen	7,651,269 B2	1/2010	Comendant
7,427,571 B2	9/2008	Lindeboom et al.	7,651,583 B2	1/2010	Kent et al.
7,429,532 B2	9/2008	Ramaswamy et al.	7,651,955 B2	1/2010	Ranish et al.
7,431,966 B2	10/2008	Derderian et al.	7,651,959 B2	1/2010	Fukazawa et al.
7,432,476 B2	10/2008	Morita et al.	7,651,961 B2	1/2010	Clark
7,437,060 B2	10/2008	Wang et al.	D609,652 S	2/2010	Nagasaka et al.
7,442,275 B2	10/2008	Cowans	D609,655 S	2/2010	Sugimoto
			7,661,299 B2	2/2010	Kusunoki
			7,662,689 B2	2/2010	Boyanov et al.
			7,670,432 B2	3/2010	Li

(56)

References Cited

U.S. PATENT DOCUMENTS

7,674,726 B2	3/2010	Hasper et al.	7,871,198 B2	1/2011	Rempe et al.
7,678,197 B2	3/2010	Maki	7,874,726 B2	1/2011	Jacobs et al.
7,678,715 B2	3/2010	Mungekar et al.	7,884,918 B2	2/2011	Hattori
7,682,454 B2	3/2010	Sneh	7,888,233 B1	2/2011	Gauri
7,682,657 B2	3/2010	Sherman	7,894,474 B1	2/2011	Bell
D613,829 S	4/2010	Griffin et al.	D633,452 S *	3/2011	Namiki ..... D13/182
D614,153 S	4/2010	Fondurulia et al.	D634,329 S	3/2011	Wastrom
D614,258 S	4/2010	Kojima	D634,719 S	3/2011	Yasuda et al.
D614,267 S	4/2010	Breda	7,897,215 B1	3/2011	Fair et al.
D614,268 S	4/2010	Breda	7,897,217 B2	3/2011	Faguet
D614,593 S	4/2010	Lee et al.	7,902,009 B2	3/2011	Simonelli et al.
7,690,881 B2	4/2010	Yamagishi	7,902,582 B2	3/2011	Forbes et al.
7,691,205 B2	4/2010	Ikedo	7,906,174 B1	3/2011	Wu et al.
7,692,171 B2	4/2010	Kaszuba et al.	7,910,288 B2	3/2011	Abatchev et al.
7,695,808 B2	4/2010	Tuma	7,910,452 B2	3/2011	Roh et al.
D616,390 S	5/2010	Sato	7,910,494 B2	3/2011	Dip et al.
D616,394 S	5/2010	Sato	7,915,139 B1	3/2011	Lang
7,712,435 B2	5/2010	Yoshizaki et al.	7,915,667 B2	3/2011	Knoefler et al.
7,713,874 B2	5/2010	Milligan	7,919,142 B2	4/2011	Yeom et al.
7,716,993 B2	5/2010	Ozawa et al.	7,919,416 B2	4/2011	Lee et al.
7,718,930 B2	5/2010	Kawasaki et al.	7,923,382 B2	4/2011	Huotari et al.
7,720,560 B2	5/2010	Menser et al.	7,925,378 B2	4/2011	Gilchrist et al.
7,723,648 B2	5/2010	Tsukamoto et al.	7,935,940 B1	5/2011	Smargiassi
7,725,012 B2	5/2010	Aggarwal et al.	7,939,447 B2	5/2011	Bauer et al.
7,727,864 B2	6/2010	Elers	7,942,969 B2	5/2011	Riker et al.
7,727,880 B1	6/2010	Chattopadhyay et al.	7,946,762 B2	5/2011	Yednak
7,732,343 B2	6/2010	Niroomand et al.	7,951,262 B2	5/2011	Koshiishi et al.
7,736,437 B2	6/2010	Cadwell et al.	7,955,516 B2	6/2011	Chandrachood et al.
7,736,528 B2	6/2010	Okita et al.	7,955,646 B2	6/2011	Cruse et al.
7,736,600 B2	6/2010	Clark et al.	7,955,650 B2	6/2011	Tsuji
7,737,035 B1	6/2010	Lind et al.	7,957,708 B2	6/2011	Karschnia et al.
7,740,437 B2	6/2010	de Ridder et al.	7,963,736 B2	6/2011	Takizawa et al.
7,740,705 B2	6/2010	Li	7,967,913 B2	6/2011	Hua et al.
7,745,346 B2	6/2010	Hausmann et al.	7,972,980 B2	7/2011	Lee et al.
7,748,760 B2	7/2010	Kushida	7,977,256 B2	7/2011	Liu et al.
7,749,563 B2	7/2010	Zheng et al.	7,981,751 B2	7/2011	Zhu et al.
7,753,584 B2	7/2010	Gambino et al.	D643,055 S	8/2011	Takahashi
7,754,621 B2	7/2010	Putjkonen	7,989,365 B2	8/2011	Park et al.
7,758,698 B2	7/2010	Bang et al.	7,989,736 B2	8/2011	Park et al.
7,763,869 B2	7/2010	Matsushita et al.	7,992,318 B2	8/2011	Kawaji
7,767,262 B2	8/2010	Clark	7,993,457 B1	8/2011	Krotov et al.
7,771,796 B2	8/2010	Kohno et al.	7,994,070 B1	8/2011	Dip et al.
7,780,440 B2	8/2010	Shibagaki et al.	7,994,721 B2	8/2011	Espiau et al.
7,780,789 B2	8/2010	Wu et al.	7,997,795 B2	8/2011	Schwagerman et al.
7,781,352 B2	8/2010	Fukazawa et al.	7,998,875 B2	8/2011	DeYoung
7,789,559 B2	9/2010	Waser et al.	8,003,174 B2	8/2011	Fukazawa
7,789,965 B2	9/2010	Matsushita et al.	8,003,919 B2	8/2011	Goto et al.
7,790,633 B1	9/2010	Tarafdar et al.	8,004,198 B2	8/2011	Bakre et al.
7,794,546 B2	9/2010	Li	8,020,315 B2	9/2011	Nishimura
7,798,096 B2	9/2010	Mahajani et al.	8,030,129 B2	10/2011	Jeong
7,799,300 B2	9/2010	Lindfors et al.	8,033,771 B1	10/2011	Gage et al.
7,799,706 B2	9/2010	Yeom et al.	8,038,835 B2	10/2011	Hayashi et al.
7,803,722 B2	9/2010	Liang	8,041,197 B2	10/2011	Kasai et al.
D625,977 S	10/2010	Watson et al.	8,041,450 B2	10/2011	Takizawa et al.
7,795,160 B2	10/2010	Wang et al.	8,043,972 B1	10/2011	Liu et al.
7,806,587 B2	10/2010	Kobayashi	8,046,193 B2	10/2011	Yetter et al.
7,807,566 B2	10/2010	Tsuji et al.	8,047,711 B2	11/2011	Ploechinger
7,807,578 B2	10/2010	Bencher et al.	8,048,783 B2	11/2011	Chung et al.
7,816,278 B2	10/2010	Reed et al.	8,051,799 B2	11/2011	Itagaki et al.
7,824,492 B2	11/2010	Tois et al.	8,052,794 B2	11/2011	Sumakeris et al.
7,825,040 B1	11/2010	Fukazawa et al.	8,055,378 B2	11/2011	Numakura
7,829,460 B2	11/2010	Streck et al.	8,060,252 B2	11/2011	Gage et al.
7,833,348 B2	11/2010	Wada et al.	8,083,853 B2	11/2011	Choi et al.
7,833,353 B2	11/2010	Furukawahara et al.	RE43,023 E	12/2011	Nakashima et al.
7,838,084 B2	11/2010	Derderian et al.	D649,986 S	12/2011	Fujikata et al.
7,842,518 B2	11/2010	Miyajima	D651,291 S	12/2011	Liebson et al.
7,842,622 B1	11/2010	Lee et al.	8,071,451 B2	12/2011	Berry
D629,874 S	12/2010	Hermans	8,071,452 B2	12/2011	Raisanen
7,850,449 B2	12/2010	Yang et al.	8,072,578 B2	12/2011	Yasuda et al.
7,851,019 B2	12/2010	Tuominen et al.	8,076,230 B2	12/2011	Wei
7,851,232 B2	12/2010	van Schravendijk et al.	8,076,237 B2	12/2011	Uzoh
7,858,519 B2	12/2010	Liu et al.	8,076,250 B1	12/2011	Rajagopalan
7,858,533 B2	12/2010	Liu et al.	8,076,251 B2	12/2011	Akae et al.
7,858,898 B2	12/2010	Bailey et al.	8,078,310 B2	12/2011	Nishimoto et al.
7,865,070 B2	1/2011	Nakamura	8,082,946 B2	12/2011	Laverdiere et al.
			8,084,104 B2	12/2011	Shinriki et al.
			8,084,372 B2	12/2011	You et al.
			D652,896 S	1/2012	Gether
			8,092,604 B2	1/2012	Tomiyasu et al.

(56)

## References Cited

## U.S. PATENT DOCUMENTS

8,092,606 B2	1/2012	Park et al.	8,367,528 B2	2/2013	Bauer et al.
8,100,583 B2	1/2012	Aggarwal	8,372,204 B2	2/2013	Nakamura
D653,734 S	2/2012	Sisk	8,378,464 B2	2/2013	Kato et al.
D654,882 S	2/2012	Honma et al.	8,382,370 B2	2/2013	Aggarwal et al.
D654,884 S	2/2012	Honma	8,382,939 B2	2/2013	Kutney et al.
D655,055 S	2/2012	Toll	8,393,091 B2	3/2013	Kawamoto
8,110,099 B2	2/2012	Hersey et al.	8,394,466 B2	3/2013	Hong et al.
8,114,734 B2	2/2012	Yang et al.	8,398,773 B2	3/2013	Jdira et al.
8,119,466 B2	2/2012	Avouris	8,402,918 B2	3/2013	Kadkhodayan et al.
8,119,527 B1	2/2012	Chadrashekar et al.	8,404,044 B2	3/2013	Arai
D655,260 S	3/2012	Honma et al.	8,404,499 B2	3/2013	Moffatt
D655,261 S	3/2012	Honma et al.	8,415,258 B2	4/2013	Akae
D655,599 S	3/2012	Durham	8,415,259 B2	4/2013	Lee et al.
8,128,333 B2	3/2012	Aburatani	8,415,587 B2	4/2013	Millman et al.
8,129,290 B2	3/2012	Balseanu et al.	8,419,959 B2	4/2013	Bettencourt et al.
8,137,462 B2	3/2012	Fondurulia et al.	8,425,682 B2	4/2013	Wang et al.
8,137,465 B1	3/2012	Shrinivasan et al.	8,430,620 B1	4/2013	Blank et al.
8,138,104 B2	3/2012	Balseanu et al.	8,435,894 B2	5/2013	Chandrashekar et al.
8,138,676 B2	3/2012	Mills	8,440,259 B2	5/2013	Chiang et al.
8,142,862 B2	3/2012	Lee et al.	8,443,484 B2	5/2013	Ozaki et al.
8,143,174 B2	3/2012	Xia et al.	8,444,120 B2	5/2013	Gregg et al.
8,147,242 B2	4/2012	Shibagaki et al.	8,445,075 B2	5/2013	Xu et al.
8,152,922 B2	4/2012	Schmidt et al.	8,450,191 B2	5/2013	Wang
8,158,512 B2	4/2012	Ji et al.	8,454,749 B2	6/2013	Li
8,172,947 B2	5/2012	Shibata et al.	8,465,811 B2	6/2013	Ueda
8,173,554 B2	5/2012	Lee et al.	8,465,903 B2	6/2013	Weidman et al.
8,174,400 B2	5/2012	Park et al.	8,466,411 B2	6/2013	Arai
8,178,436 B2	5/2012	King et al.	8,470,187 B2	6/2013	Ha
8,187,679 B2	5/2012	Dickey et al.	8,470,718 B2	6/2013	Lee
8,187,951 B1	5/2012	Wang	8,484,846 B2	7/2013	Dhindsa
8,192,901 B2	6/2012	Kageyama	8,492,170 B2	7/2013	Xie et al.
8,196,234 B2	6/2012	Glunk	8,496,377 B2	7/2013	Harr et al.
8,197,915 B2	6/2012	Oka et al.	8,496,756 B2	7/2013	Cruse et al.
8,198,168 B2	6/2012	Tanioku	8,497,213 B2	7/2013	Yasui et al.
8,202,575 B2	6/2012	Monmsma et al.	8,501,599 B2	8/2013	Ueno et al.
8,206,506 B2	6/2012	Kadkhodayan et al.	8,506,162 B2	8/2013	Schick et al.
8,216,380 B2	7/2012	White et al.	8,506,713 B2	8/2013	Takagi
8,227,032 B2	7/2012	Dussarrat et al.	8,507,720 B2	8/2013	Shay
8,231,799 B2	7/2012	Bera et al.	8,524,612 B2	9/2013	Li et al.
D665,055 S	8/2012	Yanagisawa et al.	8,529,701 B2	9/2013	Morita
8,241,991 B2	8/2012	Hsieh et al.	8,535,767 B1	9/2013	Kimura
8,241,992 B2	8/2012	Clevenger et al.	8,536,068 B2	9/2013	Weidman et al.
8,242,028 B1	8/2012	van Schravendijk et al.	D691,974 S	10/2013	Osada et al.
8,242,031 B2	8/2012	Mallick et al.	8,551,892 B2	10/2013	Nakano
8,246,900 B2	8/2012	Kasai et al.	8,557,712 B1	10/2013	Antonelli et al.
8,252,114 B2	8/2012	Vukovic	8,562,272 B2	10/2013	Lenz
8,252,659 B2	8/2012	Huyghabaert et al.	8,563,443 B2	10/2013	Fukazawa
8,252,691 B2	8/2012	Beynet et al.	8,569,184 B2	10/2013	Oka
8,253,204 B2	8/2012	Lee et al.	D693,200 S	11/2013	Saunders
8,267,633 B2	9/2012	Obikane	D693,782 S	11/2013	Mori et al.
8,272,516 B2	9/2012	Salvador	8,573,152 B2	11/2013	de la Llera et al.
8,278,176 B2	10/2012	Bauer et al.	8,573,154 B2	11/2013	Yorozuya
8,278,224 B1	10/2012	Mui et al.	8,586,484 B2	11/2013	Matsuyama et al.
8,282,769 B2	10/2012	Iizuka	8,591,659 B1	11/2013	Fang et al.
8,282,847 B2	10/2012	Romano	8,592,005 B2	11/2013	Ueda
8,282,992 B2	10/2012	Myo et al.	D694,790 S	12/2013	Matsumoto et al.
8,287,648 B2	10/2012	Reed et al.	D695,240 S	12/2013	Iida et al.
8,291,857 B2	10/2012	Lam et al.	8,608,885 B2	12/2013	Goto et al.
8,293,016 B2	10/2012	Bahng et al.	8,614,047 B2	12/2013	Ayothi et al.
8,293,642 B2	10/2012	Kim	8,616,765 B2	12/2013	Darabnia et al.
8,298,336 B2	10/2012	Wang et al.	8,617,411 B2	12/2013	Singh
8,298,951 B1	10/2012	Nakano	D697,038 S	1/2014	Matsumoto et al.
8,307,472 B1	11/2012	Saxon et al.	8,623,770 B1	1/2014	Gao et al.
8,309,173 B2	11/2012	Tuominen et al.	8,633,115 B2	1/2014	Chang et al.
8,318,327 B2	11/2012	O'Donnell	8,637,384 B2	1/2014	Ando et al.
8,318,584 B2	11/2012	Li et al.	D698,904 S	2/2014	Milligan et al.
8,323,413 B2	12/2012	Son	8,642,488 B2	2/2014	Liu et al.
8,324,699 B2	12/2012	Ichijo et al.	8,647,439 B2	2/2014	Sanchez et al.
8,328,939 B2	12/2012	Choi et al.	8,647,722 B2	2/2014	Kobayashi et al.
8,329,599 B2	12/2012	Fukazawa et al.	8,647,993 B1	2/2014	Lavoie et al.
8,333,839 B2	12/2012	Oh	8,651,788 B1	2/2014	Budde
8,334,219 B2	12/2012	Lee et al.	8,664,627 B1	3/2014	Ishikawa et al.
8,338,809 B2	12/2012	Yang et al.	8,667,654 B2	3/2014	Gros-Jean
8,349,083 B2	1/2013	Takasuka et al.	8,668,957 B2	3/2014	Dussarrat et al.
D676,943 S	2/2013	Kluss et al.	8,669,185 B2	3/2014	Onizawa
			8,679,958 B2	3/2014	Takamura et al.
			D702,188 S	4/2014	Jacobs
			8,683,943 B2	4/2014	Onodera et al.
			8,697,198 B2	4/2014	Lee

(56)

## References Cited

## U.S. PATENT DOCUMENTS

8,703,002 B2	4/2014	Matsudo et al.	8,956,971 B2	2/2015	Huakka
8,709,162 B2	4/2014	Leung et al.	8,956,983 B2	2/2015	Swaminathan
8,710,580 B2	4/2014	Sakuma et al.	D723,330 S	3/2015	York
8,711,338 B2	4/2014	Liu et al.	D724,553 S	3/2015	Choi
D705,745 S	5/2014	Kurs et al.	D724,701 S	3/2015	Yamagishi et al.
D705,762 S	5/2014	Yu	D725,168 S	3/2015	Yamagishi
8,664,127 B2	5/2014	Bhatia et al.	8,967,608 B2	3/2015	Mitsumori et al.
8,720,965 B2	5/2014	Hino et al.	8,968,989 B2	3/2015	Ouattara et al.
8,721,791 B2	5/2014	Choi et al.	8,969,934 B1	3/2015	Cheng et al.
8,722,510 B2	5/2014	Watanabe et al.	8,974,868 B2	3/2015	Ishikawa et al.
8,722,546 B2	5/2014	Fukazawa et al.	8,980,006 B2	3/2015	Huh et al.
8,726,837 B2	5/2014	Patalay et al.	8,986,456 B2	3/2015	Fondurulia et al.
8,728,832 B2	5/2014	Raisanen et al.	8,991,214 B2	3/2015	Hoshino et al.
8,728,956 B2	5/2014	Lavoie et al.	8,991,887 B2	3/2015	Shin et al.
8,741,062 B2	6/2014	Lindfors et al.	8,993,054 B2	3/2015	Jung et al.
8,741,065 B2	6/2014	Odagiri et al.	8,993,072 B2	3/2015	Xiao et al.
8,742,668 B2	6/2014	Nakano et al.	8,993,457 B1	3/2015	Ramkumar et al.
8,758,512 B2	6/2014	Lee	D726,365 S	4/2015	Weigensberg
8,759,223 B2	6/2014	Sapre et al.	D726,884 S	4/2015	Yamagishi et al.
D709,536 S	7/2014	Yoshimura et al.	8,999,102 B2	4/2015	Miyoshi et al.
D709,537 S	7/2014	Kuwabara et al.	9,004,744 B1	4/2015	Kemp
8,764,085 B2	7/2014	Urabe	9,005,539 B2	4/2015	Halpin et al.
8,771,791 B2	7/2014	Lee et al.	9,017,481 B1	4/2015	Pettinger et al.
8,771,807 B2	7/2014	Xiao et al.	9,017,933 B2	4/2015	Liu et al.
8,779,502 B2	7/2014	Sakuma et al.	9,018,093 B2	4/2015	Tsuji et al.
8,784,676 B2	7/2014	Guha et al.	9,018,111 B2	4/2015	Milligan et al.
8,784,950 B2	7/2014	Fukazawa et al.	9,018,567 B2	4/2015	de Ridder et al.
8,784,951 B2	7/2014	Fukazawa et al.	9,021,985 B2	5/2015	Alokozai et al.
8,785,215 B2	7/2014	Kobayashi et al.	9,023,737 B2	5/2015	Beynet et al.
8,785,311 B2	7/2014	Miyoshi	9,023,738 B2	5/2015	Kato et al.
8,790,743 B1	7/2014	Omari	9,029,244 B2	5/2015	Won et al.
8,790,749 B2	7/2014	Omori et al.	9,029,253 B2	5/2015	Milligan et al.
8,802,201 B2	8/2014	Raisanen et al.	9,029,272 B1	5/2015	Nakano
8,809,170 B2	8/2014	Bauer	D732,145 S	6/2015	Yamagishi
D712,358 S	9/2014	Allen et al.	D732,644 S	6/2015	Yamagishi et al.
D712,359 S	9/2014	Allen et al.	D733,257 S	6/2015	Schoenherr et al.
8,820,809 B2	9/2014	Ando et al.	D733,261 S	6/2015	Yamagishi et al.
8,821,640 B2	9/2014	Cleary et al.	D733,262 S	6/2015	Kang
8,821,985 B2	9/2014	Shao et al.	9,057,388 B2	6/2015	Comeau et al.
8,823,672 B2	9/2014	Kim	9,064,815 B2	6/2015	Zhang et al.
8,828,886 B2	9/2014	Samukawa et al.	D733,843 S	7/2015	Yamagishi
8,841,182 B1	9/2014	Chen et al.	D734,377 S	7/2015	Hirakida
8,845,806 B2	9/2014	Aida et al.	9,076,635 B2	7/2015	Gross et al.
8,846,502 B2	9/2014	Haukka et al.	9,076,726 B2	7/2015	Kauerauf et al.
D715,410 S	10/2014	Lohmann	D735,836 S	8/2015	Yamagishi et al.
8,859,368 B2	10/2014	Deniz	D736,348 S	8/2015	Tan
8,860,955 B2	10/2014	Rodnick et al.	9,095,869 B2	8/2015	Kilpi et al.
8,864,202 B1	10/2014	Schrameyer	9,096,931 B2	8/2015	Yednak et al.
8,864,375 B2	10/2014	Abe et al.	9,099,423 B2	8/2015	Weeks et al.
D716,742 S	11/2014	Jang et al.	9,099,505 B2	8/2015	Kusakabe et al.
8,876,974 B2	11/2014	Wan	9,111,972 B2	8/2015	Takeshita et al.
8,877,300 B2	11/2014	Lee	9,117,657 B2	8/2015	Nakano et al.
8,877,655 B2	11/2014	Shero et al.	9,117,866 B2	8/2015	Marquardt et al.
8,882,923 B2	11/2014	Saido et al.	D739,222 S	9/2015	Chadbourne
8,883,270 B2	11/2014	Shero et al.	9,123,510 B2	9/2015	Nakano et al.
8,895,108 B2	11/2014	Lee	9,123,577 B2	9/2015	Fujimoto et al.
8,895,395 B1	11/2014	Kerber et al.	9,127,358 B2	9/2015	Inoue et al.
D719,197 S *	12/2014	Tsuchiya ..... D15/138	9,127,362 B2	9/2015	Scheible et al.
8,900,935 B2	12/2014	Guo et al.	9,129,897 B2	9/2015	Pore et al.
8,900,999 B1	12/2014	Wu et al.	9,136,108 B2	9/2015	Matsushita et al.
8,901,016 B2	12/2014	Jeongseok et al.	9,136,180 B2	9/2015	Machkaoutsan
8,911,553 B2	12/2014	Baluja et al.	9,142,393 B2	9/2015	Okabe et al.
8,911,826 B2	12/2014	Adachi et al.	9,142,437 B2	9/2015	Fosnight et al.
8,912,101 B2	12/2014	Tsuji et al.	9,142,764 B1	9/2015	Wang
D720,838 S	1/2015	Yamagishi et al.	9,153,441 B2	10/2015	Takamure et al.
8,927,906 B2	1/2015	Tadokoro et al.	9,163,310 B2	10/2015	Lee
8,932,802 B2	1/2015	Wu et al.	9,166,012 B2	10/2015	Sim et al.
8,933,375 B2	1/2015	Dunn et al.	9,169,975 B2	10/2015	Sarin et al.
8,937,800 B2	1/2015	Lubomirsky et al.	9,171,714 B2	10/2015	Mori
8,940,646 B1	1/2015	Chandrasekharan	9,171,715 B2	10/2015	Matero
D723,153 S	2/2015	Borkholder	9,171,716 B2	10/2015	Fukuda
8,945,305 B2	2/2015	Marsh	D742,202 S	11/2015	Cyphers et al.
8,945,306 B2	2/2015	Tsuda	D743,357 S	11/2015	Vyne
8,945,339 B2	2/2015	Kakimoto	D743,513 S	11/2015	Yamagishi
8,946,830 B2	2/2015	Jung et al.	9,174,178 B2	11/2015	Berger et al.
			9,175,394 B2	11/2015	Yudovsky et al.
			9,177,784 B2	11/2015	Raisanen et al.
			9,184,047 B2	11/2015	Liu et al.
			9,184,054 B1	11/2015	Huang et al.

(56)

References Cited

U.S. PATENT DOCUMENTS

9,190,263 B2	11/2015	Ishikawa et al.	9,428,833 B1	8/2016	Duvall et al.
9,190,264 B2	11/2015	Yuasa et al.	9,443,725 B2	9/2016	Liu et al.
9,196,483 B1	11/2015	Lee et al.	9,447,498 B2	9/2016	Shiba et al.
D745,641 S	12/2015	Blum	9,449,793 B2	9/2016	Shaji et al.
9,202,727 B2	12/2015	Dunn et al.	9,449,795 B2	9/2016	Sabri et al.
9,214,333 B1	12/2015	Sims et al.	9,449,843 B1	9/2016	Korolik et al.
9,214,340 B2	12/2015	Kurita et al.	9,449,987 B1	9/2016	Miyata et al.
9,219,006 B2	12/2015	Chatterjee	9,455,138 B1	9/2016	Fukazawa
9,223,203 B2	12/2015	Farm et al.	9,455,177 B1	9/2016	Park et al.
9,228,259 B2	1/2016	Haukka et al.	9,460,954 B2	10/2016	De Jong et al.
9,240,412 B2	1/2016	Xie et al.	9,464,352 B2	10/2016	Nakano et al.
9,245,742 B2	1/2016	Haukka	9,472,410 B2	10/2016	Sadjadi et al.
9,252,024 B2	2/2016	Lam et al.	9,472,432 B1	10/2016	Blank
9,252,238 B1	2/2016	Trevino et al.	9,474,163 B2	10/2016	Tolle et al.
9,257,274 B2	2/2016	Kang et al.	9,478,414 B2	10/2016	Kobayashi et al.
9,263,298 B2	2/2016	Matsumoto et al.	9,478,415 B2	10/2016	Kimura
9,267,204 B2	2/2016	Honma	D770,993 S	11/2016	Yoshida et al.
9,267,850 B2	2/2016	Aggarwal	9,484,191 B2	11/2016	Winkler
D751,176 S	3/2016	Schoenherr et al.	9,496,225 B1	11/2016	Adusumilli et al.
9,275,834 B1	3/2016	Park et al.	9,514,927 B2	12/2016	Tolle et al.
9,281,223 B2	3/2016	Hara	9,514,932 B2	12/2016	Mallick et al.
9,281,277 B2	3/2016	Baek et al.	9,520,289 B2	12/2016	Park et al.
9,284,642 B2	3/2016	Nakano	9,523,148 B1	12/2016	Pore et al.
9,287,273 B2	3/2016	Ragnarsson et al.	D777,546 S	1/2017	Ishii et al.
9,297,705 B2	3/2016	Aggarwal	9,543,180 B2	1/2017	Kamiya
9,299,557 B2	3/2016	Tolle et al.	9,556,516 B2	1/2017	Takamure
9,299,595 B2	3/2016	Dunn et al.	9,558,931 B2	1/2017	Tang
D753,269 S	4/2016	Yamagishi et al.	9,564,312 B2	2/2017	Henri et al.
D753,629 S	4/2016	Plattard	9,564,314 B2	2/2017	Takamure et al.
9,305,836 B1	4/2016	Gates et al.	9,570,302 B1	2/2017	Chang et al.
9,309,598 B2	4/2016	Wang et al.	9,574,268 B1	2/2017	Dunn et al.
9,309,978 B2	4/2016	Hatch et al.	9,576,952 B2	2/2017	Joshi et al.
9,310,684 B2	4/2016	Meyers et al.	9,583,333 B2	2/2017	Chatterjee
9,312,155 B2	4/2016	Mori	9,583,345 B2	2/2017	Chen et al.
9,315,897 B2	4/2016	Byun	D782,419 S	3/2017	Willette
9,324,811 B2	4/2016	Weeks	9,589,770 B2	3/2017	Winkler
9,324,846 B1	4/2016	Camillo	9,605,342 B2	3/2017	Alokozai et al.
D756,929 S	5/2016	Harck et al.	9,605,343 B2	3/2017	Winkler
9,331,200 B1	5/2016	Wang et al.	9,605,736 B1	3/2017	Foshage et al.
9,337,031 B2	5/2016	Kim et al.	9,607,837 B1	3/2017	Namba
9,337,054 B2	5/2016	Hunks et al.	D783,351 S	4/2017	Fujino et al.
9,337,057 B2	5/2016	Park et al.	D784,276 S	4/2017	Tiner et al.
9,341,296 B2	5/2016	Yednak	9,613,801 B2	4/2017	Carcasi et al.
9,343,297 B1	5/2016	Fukazawa et al.	9,618,846 B2	4/2017	Shamma et al.
9,343,308 B2	5/2016	Isii	9,627,221 B1	4/2017	Zaitso et al.
9,343,343 B2	5/2016	Mori	D785,766 S	5/2017	Sato
9,343,350 B2	5/2016	Arai	D787,458 S	5/2017	Kim et al.
9,349,620 B2	5/2016	Kamata et al.	9,640,416 B2	5/2017	Arai
9,353,440 B2	5/2016	Ge et al.	9,640,448 B2	5/2017	Ikegawa et al.
9,353,441 B2	5/2016	Chung	9,640,542 B2	5/2017	Lee et al.
9,355,876 B2	5/2016	Reuter et al.	9,644,266 B2	5/2017	Nasu et al.
9,355,882 B2	5/2016	Wu et al.	9,647,114 B2	5/2017	Margetis
D759,137 S	6/2016	Hassan	9,653,267 B2	5/2017	Carducci et al.
D759,193 S	6/2016	Gutierrez et al.	9,657,845 B2	5/2017	Shugrue
9,362,107 B2	6/2016	Thadani et al.	9,659,799 B2	5/2017	Lawson
9,362,137 B2	6/2016	Kang et al.	9,663,857 B2	5/2017	Nakano et al.
9,362,180 B2	6/2016	Lee et al.	9,666,528 B1	5/2017	Bergendahl et al.
9,365,924 B2	6/2016	Nonaka	D789,888 S	6/2017	Jang et al.
9,368,352 B2	6/2016	Takamure et al.	D790,041 S *	6/2017	Jang ..... D23/259
9,370,863 B2	6/2016	Tsuji et al.	9,680,268 B1	6/2017	Finona
9,378,969 B2	6/2016	Hsu et al.	9,684,234 B2	6/2017	Darling et al.
D761,325 S	7/2016	Abed	9,685,320 B2	6/2017	Kang et al.
9,384,987 B2	7/2016	Jung et al.	9,691,668 B2	6/2017	Chang et al.
9,390,909 B2	7/2016	Pasquale et al.	9,691,771 B2	6/2017	Lansalot-Matras
9,394,608 B2	7/2016	Shero et al.	9,698,031 B2	7/2017	Kobayashi et al.
9,396,934 B2	7/2016	Tolle	9,708,707 B2	7/2017	Ditizio et al.
9,396,956 B1	7/2016	Fukazawa	9,708,708 B2	7/2017	Isobe et al.
9,399,228 B2	7/2016	Breiling et al.	9,711,345 B2	7/2017	Shiba et al.
D764,196 S	8/2016	Handler et al.	D793,352 S	8/2017	Hill
9,404,587 B2	8/2016	Shugrue	D793,526 S	8/2017	Behdjat
9,412,564 B2	8/2016	Milligan	D793,572 S	8/2017	Kozuka et al.
9,412,581 B2	8/2016	Thadani et al.	D793,976 S	8/2017	Fukushima et al.
9,412,582 B2	8/2016	Sasaki et al.	D794,753 S	8/2017	Miller
9,418,885 B2	8/2016	Sung et al.	D795,208 S	8/2017	Sasaki et al.
9,425,078 B2	8/2016	Tang et al.	9,735,024 B2	8/2017	Zaitso
			9,741,546 B2	8/2017	Carducci et al.
			9,741,559 B2	8/2017	Shimura et al.
			9,745,658 B2	8/2017	Kang et al.
			9,748,104 B2	8/2017	Sasaki et al.

(56)

**References Cited**

U.S. PATENT DOCUMENTS

9,748,145 B1	8/2017	Kannan et al.	9,966,299 B2	5/2018	Tang et al.
D796,458 S	9/2017	Jang et al.	9,970,112 B2	5/2018	Koshi et al.
D796,670 S	9/2017	Dolk et al.	9,984,869 B1	5/2018	Blanquart
D797,067 S	9/2017	Zhang et al.	D819,580 S	6/2018	Krishnan et al.
D798,248 S	9/2017	Hanson et al.	9,987,747 B2	6/2018	Hwang et al.
9,754,779 B1	9/2017	Ishikawa	9,991,138 B2	6/2018	Lin et al.
9,754,818 B2	9/2017	Shin et al.	9,996,004 B2	6/2018	Smith et al.
9,759,489 B2	9/2017	Kaneko	9,997,357 B2	6/2018	Arghavani et al.
9,765,432 B2	9/2017	Ge et al.	9,997,373 B2	6/2018	Hudson
9,773,818 B2	9/2017	Kimura	10,032,628 B2	6/2018	Xie et al.
D800,782 S	10/2017	Bever et al.	10,014,212 B2	7/2018	Chen et al.
9,778,561 B2	10/2017	Marks et al.	10,017,856 B1	7/2018	Arnepalli et al.
9,780,225 B2	10/2017	Venkatasubramanian et al.	10,018,920 B2	7/2018	Chang et al.
9,786,491 B2	10/2017	Suzuki et al.	10,023,960 B2	7/2018	Alokozai
9,786,570 B2	10/2017	Kang et al.	10,032,792 B2	7/2018	Kim et al.
9,790,595 B2	10/2017	Jung et al.	D825,505 S	8/2018	Hanson et al.
9,793,115 B2	10/2017	Tolle	D825,614 S	8/2018	Bever et al.
9,793,135 B1	10/2017	Zaitso et al.	10,043,661 B2	8/2018	Kato et al.
9,793,148 B2	10/2017	Yamagishi et al.	10,047,435 B2	8/2018	Haukka et al.
9,798,308 B2	10/2017	Mimura	10,053,774 B2	8/2018	Tolle et al.
9,799,736 B1	10/2017	Ebrish et al.	10,060,473 B2	8/2018	Davey et al.
9,803,926 B2	10/2017	Kikuchi et al.	D827,592 S	9/2018	Ichino et al.
D801,942 S	11/2017	Riker et al.	D829,306 S	9/2018	Ikedo et al.
D802,472 S	11/2017	Sasaki et al.	10,083,836 B2	9/2018	Milligan
D802,546 S *	11/2017	Jang ..... D13/182	D830,981 S *	10/2018	Jeong ..... D13/182
D803,802 S	11/2017	Sasaki et al.	10,087,522 B2	10/2018	Raisanen et al.
9,808,246 B2	11/2017	Shelton et al.	10,087,525 B2	10/2018	Schmotzer et al.
9,812,319 B1	11/2017	Fukazawa et al.	10,090,316 B2	10/2018	Ootsuka
9,812,320 B1	11/2017	Pore et al.	10,103,040 B1	10/2018	Oosterlaken et al.
9,812,372 B2	11/2017	Choi et al.	10,106,892 B1	10/2018	Siddiqui et al.
9,820,289 B1	11/2017	Pawar et al.	RE47,145 E	11/2018	Hashimoto
9,824,881 B2	11/2017	Niskanen et al.	D834,686 S	11/2018	Yamada et al.
9,824,884 B1	11/2017	Sims et al.	10,121,671 B2	11/2018	Fu et al.
9,824,893 B1	11/2017	Smith et al.	10,134,617 B2	11/2018	Gurary et al.
9,837,355 B2	12/2017	Briggs et al.	10,134,757 B2	11/2018	Chun et al.
9,842,835 B1	12/2017	Cheng et al.	RE47,170 E	12/2018	Beynet et al.
9,847,221 B1	12/2017	McLaughlin et al.	10,147,600 B2	12/2018	Takamure et al.
9,847,247 B2	12/2017	Huang et al.	10,167,557 B2	1/2019	Hawkins et al.
9,850,573 B1	12/2017	Sun	10,177,024 B2	1/2019	Gomm et al.
D807,494 S	1/2018	Kim et al.	10,177,025 B2	1/2019	Pore
D808,254 S	1/2018	Deleu	10,179,947 B2	1/2019	Fukazawa
9,859,151 B1	1/2018	Zhu	10,186,420 B2	1/2019	Fukazawa
9,865,455 B1	1/2018	Sims et al.	10,190,213 B2	1/2019	Zhu et al.
9,865,456 B1	1/2018	Pandey et al.	10,190,214 B2	1/2019	Shon et al.
9,865,815 B2	1/2018	Hausmann	10,190,701 B2	1/2019	Raj et al.
9,868,131 B2	1/2018	Kilpi et al.	10,192,734 B2	1/2019	Sanchez et al.
9,870,964 B1	1/2018	Yoshino et al.	10,193,429 B2	1/2019	Smith et al.
9,875,891 B2	1/2018	Henri et al.	D840,364 S *	2/2019	Ichino ..... D13/182
9,875,893 B2	1/2018	Takamure et al.	10,204,788 B1	2/2019	Ye et al.
9,881,788 B2	1/2018	Kim et al.	10,211,308 B2	2/2019	Zhu et al.
D810,705 S	2/2018	Krishnan et al.	10,229,833 B2	3/2019	Raisanen et al.
9,887,082 B1	2/2018	Pore et al.	10,229,851 B2	3/2019	Briggs et al.
9,890,456 B2	2/2018	Tolle et al.	10,229,985 B1	3/2019	Li et al.
9,891,521 B2	2/2018	Kang et al.	10,236,177 B1	3/2019	Kohen et al.
9,892,908 B2	2/2018	Pettinger et al.	D846,008 S	4/2019	Geldenhuys et al.
9,892,913 B2	2/2018	Margetis et al.	10,249,524 B2	4/2019	den Hartog Besselink et al.
9,895,715 B2	2/2018	Haukka et al.	10,249,577 B2	4/2019	Lee et al.
9,899,291 B2	2/2018	Kato	10,262,859 B2	4/2019	Margetis et al.
9,899,405 B2	2/2018	Kim	10,269,558 B2	4/2019	Blanquart et al.
9,905,420 B2	2/2018	Margetis et al.	10,276,355 B2	4/2019	White et al.
9,905,492 B2	2/2018	Tang et al.	D849,055 S	5/2019	Kneip
D813,181 S *	3/2018	Okajima ..... D13/182	D849,662 S	5/2019	Rike
9,909,214 B2	3/2018	Suemori	D849,810 S *	5/2019	Kim ..... D15/144.1
9,909,492 B2	3/2018	Jeswine	10,283,353 B2	5/2019	Kobayashi et al.
9,911,595 B1	3/2018	Smith et al.	10,287,684 B2	5/2019	Yanai et al.
9,911,676 B2	3/2018	Tang	10,290,508 B1	5/2019	Kubota et al.
9,916,980 B1	3/2018	Knaepen	10,297,440 B2	5/2019	Yamazaki et al.
9,920,451 B2	3/2018	Sivaramkrishnan et al.	RE47,440 E	6/2019	Yudovsky et al.
9,922,824 B2	3/2018	Okada	10,312,055 B2	6/2019	Suzuki
9,929,005 B1	3/2018	Shimamoto et al.	10,312,129 B2	6/2019	Coomer
9,929,011 B2	3/2018	Hawryluk et al.	10,319,588 B2	6/2019	Mattinen et al.
9,929,055 B2	3/2018	Dube et al.	10,322,384 B2	6/2019	Stumpf et al.
9,951,421 B2	4/2018	Lind	10,332,747 B1	6/2019	Watanabe et al.
9,960,033 B1	5/2018	Nozawa	10,332,963 B1	6/2019	Xie
9,960,072 B2	5/2018	Coomer	D855,027 S *	7/2019	Okajima ..... D13/182
			D855,089 S	7/2019	Hopkins
			10,340,125 B2	7/2019	Winkler
			10,340,135 B2	7/2019	Blanquart
			10,343,920 B2	7/2019	Haukka

(56)

## References Cited

## U.S. PATENT DOCUMENTS

- |              |    |           |                        |              |    |         |                    |
|--------------|----|-----------|------------------------|--------------|----|---------|--------------------|
| 10,347,547   | B2 | 7/2019    | Varadarajan et al.     | 2001/0018267 | A1 | 8/2001  | Shinriki et al.    |
| 10,354,873   | B2 | 7/2019    | Ko et al.              | 2001/0019347 | A1 | 9/2001  | Hauck              |
| 10,361,201   | B2 | 7/2019    | Xie et al.             | 2001/0019777 | A1 | 9/2001  | Tanaka et al.      |
| 10,361,366   | B2 | 7/2019    | Hakamata et al.        | 2001/0019900 | A1 | 9/2001  | Hasegawa           |
| 10,367,080   | B2 | 7/2019    | Tang et al.            | 2001/0020715 | A1 | 9/2001  | Yamasaki           |
| 10,388,513   | B1 | 8/2019    | Blanquart              | 2001/0021591 | A1 | 9/2001  | Srinivasan et al.  |
| 10,395,917   | B2 | 8/2019    | Niskanen et al.        | 2001/0022215 | A1 | 9/2001  | Donohoe            |
| 10,395,919   | B2 | 8/2019    | Masaru et al.          | 2001/0024387 | A1 | 9/2001  | Raaijmakers et al. |
| 10,395,963   | B2 | 8/2019    | Cooke                  | 2001/0027026 | A1 | 10/2001 | Dhindsa et al.     |
| D859,136     | S  | 9/2019    | Tenander et al.        | 2001/0027585 | A1 | 10/2001 | Lee                |
| 10,400,335   | B2 | 9/2019    | Ge et al.              | 2001/0028924 | A1 | 10/2001 | Sherman            |
| 10,410,943   | B2 | 9/2019    | Jiang et al.           | 2001/0031535 | A1 | 10/2001 | Agnello et al.     |
| 10,424,476   | B2 | 9/2019    | Suzuki et al.          | 2001/0031541 | A1 | 10/2001 | Madan et al.       |
| 10,424,477   | B2 | 9/2019    | Niskanen et al.        | 2001/0034097 | A1 | 10/2001 | Lim et al.         |
| D864,134     | S  | 10/2019   | Watarai et al.         | 2001/0038783 | A1 | 11/2001 | Nakashima et al.   |
| 10,428,419   | B2 | 10/2019   | Huotari et al.         | 2001/0039922 | A1 | 11/2001 | Nakahara           |
| 10,435,790   | B2 | 10/2019   | Fukazawa et al.        | 2001/0039966 | A1 | 11/2001 | Walpole et al.     |
| D867,867     | S  | 11/2019   | Tenander et al.        | 2001/0040511 | A1 | 11/2001 | Bushner et al.     |
| 10,468,244   | B2 | 11/2019   | Li et al.              | 2001/0041250 | A1 | 11/2001 | Werkhoven et al.   |
| 10,468,251   | B2 | 11/2019   | Ishikawa et al.        | 2001/0042511 | A1 | 11/2001 | Liu et al.         |
| 10,483,154   | B1 | 11/2019   | Smith et al.           | 2001/0042514 | A1 | 11/2001 | Mizuno et al.      |
| 10,510,529   | B2 | 12/2019   | Suzuki et al.          | 2001/0042594 | A1 | 11/2001 | Shamouilian et al. |
| 10,510,871   | B1 | 12/2019   | More et al.            | 2001/0046765 | A1 | 11/2001 | Cappellani et al.  |
| 10,529,554   | B2 | 1/2020    | Ishikawa et al.        | 2001/0047761 | A1 | 12/2001 | Wijck et al.       |
| D876,504     | S  | 2/2020    | Lee et al.             | 2001/0048981 | A1 | 12/2001 | Suzuki             |
| 10,590,531   | B1 | 3/2020    | Shirako et al.         | 2001/0049080 | A1 | 12/2001 | Asano              |
| 10,590,535   | B2 | 3/2020    | Huggare                | 2001/0049202 | A1 | 12/2001 | Maeda et al.       |
| 10,600,637   | B2 | 3/2020    | Suzuki et al.          | 2001/0052556 | A1 | 12/2001 | Ting et al.        |
| D880,437     | S  | 4/2020    | Lee et al.             | 2001/0054381 | A1 | 12/2001 | Umotoy et al.      |
| D881,338     | S  | 4/2020    | Chen                   | 2001/0054388 | A1 | 12/2001 | Qian               |
| 10,622,196   | B2 | 4/2020    | Nagayama et al.        | 2002/0000195 | A1 | 1/2002  | Bang et al.        |
| 10,622,236   | B2 | 4/2020    | Kuo et al.             | 2002/0000202 | A1 | 1/2002  | Yuda et al.        |
| 10,648,788   | B2 | 5/2020    | Boyd et al.            | 2002/0001971 | A1 | 1/2002  | Cho                |
| 10,662,525   | B2 | 5/2020    | Jang et al.            | 2002/0001974 | A1 | 1/2002  | Chan               |
| 10,704,143   | B1 | 7/2020    | Hisamitsu et al.       | 2002/0001976 | A1 | 1/2002  | Danek              |
| 10,714,335   | B2 | 7/2020    | Kim et al.             | 2002/0005400 | A1 | 1/2002  | Gat et al.         |
| 10,731,249   | B2 | 8/2020    | Hatanpää et al.        | 2002/0005943 | A1 | 1/2002  | Voinalovich        |
| 10,734,497   | B2 | 8/2020    | Zhu et al.             | 2002/0008270 | A1 | 1/2002  | Marsh              |
| 10,741,386   | B2 | 8/2020    | Chen et al.            | 2002/0009119 | A1 | 1/2002  | Matthew et al.     |
| 10,763,139   | B2 | 9/2020    | Shindo                 | 2002/0009560 | A1 | 1/2002  | Ozono              |
| 10,770,336   | B2 | 9/2020    | Hill et al.            | 2002/0009861 | A1 | 1/2002  | Narwankar et al.   |
| D900,036     | S  | 10/2020   | Wuester et al.         | 2002/0011210 | A1 | 1/2002  | Satoh et al.       |
| D903,477     | S  | 12/2020   | Goratela et al.        | 2002/0011211 | A1 | 1/2002  | Halpin             |
| D913,979     | S  | * 3/2021  | Babu ..... D13/182     | 2002/0011310 | A1 | 1/2002  | Kamarehi et al.    |
| D913,980     | S  | 3/2021    | Lee et al.             | 2002/0013792 | A1 | 1/2002  | Imielinski et al.  |
| D914,620     | S  | 3/2021    | Rokkam et al.          | 2002/0014204 | A1 | 2/2002  | Pyo                |
| 10,950,477   | B2 | 3/2021    | Lin et al.             | 2002/0014483 | A1 | 2/2002  | Suzuki et al.      |
| D916,037     | S  | * 4/2021  | Okajima ..... D13/182  | 2002/0015853 | A1 | 2/2002  | Wataya et al.      |
| 11,018,003   | B2 | 5/2021    | Huang et al.           | 2002/0016829 | A1 | 2/2002  | Defosse            |
| D922,229     | S  | 6/2021    | Jun et al.             | 2002/0020429 | A1 | 2/2002  | Selbrede et al.    |
| 11,053,584   | B2 | 7/2021    | Hsieh et al.           | 2002/0022347 | A1 | 2/2002  | Park et al.        |
| D934,315     | S  | * 10/2021 | Lavitsky ..... D15/138 | 2002/0023677 | A1 | 2/2002  | Zheng              |
| D935,572     | S  | * 11/2021 | Adachi ..... D13/182   | 2002/0025688 | A1 | 2/2002  | Kato               |
| D946,154     | S  | * 3/2022  | Chen ..... D24/187     | 2002/0027945 | A1 | 3/2002  | Hirano et al.      |
| D948,463     | S  | * 4/2022  | Lee ..... D13/182      | 2002/0030047 | A1 | 3/2002  | Shao et al.        |
| D954,567     | S  | * 6/2022  | Shinozaki ..... D10/46 | 2002/0031644 | A1 | 3/2002  | Malofsky et al.    |
| D958,764     | S  | * 7/2022  | Rokkam ..... D13/182   | 2002/0033183 | A1 | 3/2002  | Sun et al.         |
| D960,216     | S  | * 8/2022  | Rao ..... D15/144.1    | 2002/0036065 | A1 | 3/2002  | Yamagishi et al.   |
| D966,357     | S  | * 10/2022 | Gunther ..... D15/138  | 2002/0041931 | A1 | 4/2002  | Suntola et al.     |
| 2001/0000141 | A1 | 4/2001    | Zhou et al.            | 2002/0043337 | A1 | 4/2002  | Goodman et al.     |
| 2001/0001953 | A1 | 5/2001    | Griffiths et al.       | 2002/0045336 | A1 | 4/2002  | Locati et al.      |
| 2001/0002581 | A1 | 6/2001    | Nishikawa et al.       | 2002/0047705 | A1 | 4/2002  | Tada et al.        |
| 2001/0003015 | A1 | 6/2001    | Chang et al.           | 2002/0048634 | A1 | 4/2002  | Basceri            |
| 2001/0003191 | A1 | 6/2001    | Kovacs et al.          | 2002/0050648 | A1 | 5/2002  | Kishida et al.     |
| 2001/0003271 | A1 | 6/2001    | Otsuki                 | 2002/0052119 | A1 | 5/2002  | Cleemput           |
| 2001/0004880 | A1 | 6/2001    | Cho et al.             | 2002/0061716 | A1 | 5/2002  | Korovin et al.     |
| 2001/0006070 | A1 | 7/2001    | Shang                  | 2002/0062633 | A1 | 5/2002  | Denker et al.      |
| 2001/0007244 | A1 | 7/2001    | Matsuse                | 2002/0064592 | A1 | 5/2002  | Datta et al.       |
| 2001/0007246 | A1 | 7/2001    | Ueda et al.            | 2002/0064598 | A1 | 5/2002  | Wang et al.        |
| 2001/0007645 | A1 | 7/2001    | Honma                  | 2002/0066532 | A1 | 6/2002  | Shih et al.        |
| 2001/0014267 | A1 | 8/2001    | Yamaga et al.          | 2002/0068458 | A1 | 6/2002  | Chiang et al.      |
| 2001/0014514 | A1 | 8/2001    | Geusic                 | 2002/0069222 | A1 | 6/2002  | McNeely            |
| 2001/0015343 | A1 | 8/2001    | Sprey et al.           | 2002/0073922 | A1 | 6/2002  | Frankel et al.     |
| 2001/0016273 | A1 | 8/2001    | Narasimhan et al.      | 2002/0073923 | A1 | 6/2002  | Saito et al.       |
| 2001/0017103 | A1 | 8/2001    | Takeshita et al.       | 2002/0076490 | A1 | 6/2002  | Chiang et al.      |
|              |    |           |                        | 2002/0076507 | A1 | 6/2002  | Chiang et al.      |
|              |    |           |                        | 2002/0076944 | A1 | 6/2002  | Wang et al.        |
|              |    |           |                        | 2002/0078893 | A1 | 6/2002  | Van Os et al.      |
|              |    |           |                        | 2002/0079056 | A1 | 6/2002  | Kudo et al.        |



(56)

## References Cited

## U.S. PATENT DOCUMENTS

2002/0079714	A1	6/2002	Soucy et al.	2003/0015294	A1	1/2003	Wang
2002/0081826	A1	6/2002	Rotondaro et al.	2003/0015596	A1	1/2003	Evans
2002/0086501	A1	7/2002	O'Donnell et al.	2003/0017265	A1	1/2003	Basceri et al.
2002/0088542	A1	7/2002	Nishikawa et al.	2003/0017266	A1	1/2003	Basceri et al.
2002/0090735	A1	7/2002	Kishkovich et al.	2003/0017268	A1	1/2003	Hu
2002/0094378	A1	7/2002	O'Donnell et al.	2003/0019428	A1	1/2003	Ku et al.
2002/0094388	A1	7/2002	Fonash et al.	2003/0019580	A1	1/2003	Strang
2002/0096211	A1	7/2002	Zheng	2003/0022468	A1	1/2003	Shioya et al.
2002/0098627	A1	7/2002	Pomarede et al.	2003/0022523	A1	1/2003	Irino et al.
2002/0099470	A1	7/2002	Zinger et al.	2003/0023338	A1	1/2003	Chin et al.
2002/0100418	A1	8/2002	Sandhu et al.	2003/0024901	A1	2/2003	Ishikawa
2002/0104481	A1	8/2002	Chiang et al.	2003/0025146	A1	2/2003	Narwankar et al.
2002/0104751	A1	8/2002	Drewery et al.	2003/0026904	A1	2/2003	Yadav et al.
2002/0106909	A1	8/2002	Kato et al.	2003/0027431	A1	2/2003	Sneh et al.
2002/0108570	A1	8/2002	Lindfors	2003/0029303	A1	2/2003	Hasegawa et al.
2002/0108670	A1	8/2002	Baker et al.	2003/0029381	A1	2/2003	Nishibayashi
2002/0108714	A1	8/2002	Doering et al.	2003/0029475	A1	2/2003	Hua et al.
2002/0109115	A1	8/2002	Cederstav et al.	2003/0029563	A1	2/2003	Kaushal et al.
2002/0110695	A1	8/2002	Yang et al.	2003/0032297	A1	2/2003	Lindstrom et al.
2002/0110991	A1	8/2002	Li	2003/0035002	A1	2/2003	Moles
2002/0112114	A1	8/2002	Blair et al.	2003/0035705	A1	2/2003	Johnson
2002/0114886	A1	8/2002	Chou et al.	2003/0036272	A1	2/2003	Shamouilian et al.
2002/0115252	A1	8/2002	Haukka et al.	2003/0037800	A1	2/2003	Bailey et al.
2002/0117113	A1	8/2002	Tsuruno et al.	2003/0040120	A1	2/2003	Allen et al.
2002/0117262	A1	8/2002	Pang et al.	2003/0040158	A1	2/2003	Saitoh
2002/0122885	A1	9/2002	Ahn	2003/0040196	A1	2/2003	Lim et al.
2002/0123200	A1	9/2002	Yamamoto et al.	2003/0040841	A1	2/2003	Nasr et al.
2002/0123230	A1	9/2002	Hubacek	2003/0041971	A1	3/2003	Kido et al.
2002/0123237	A1	9/2002	Nguyen et al.	2003/0042419	A1	3/2003	Katsumata et al.
2002/0124883	A1	9/2002	Zheng	2003/0045961	A1	3/2003	Nakao
2002/0124906	A1	9/2002	Suzuki et al.	2003/0049372	A1	3/2003	Cook et al.
2002/0127350	A1	9/2002	Ishikawa et al.	2003/0049375	A1	3/2003	Nguyen et al.
2002/0127956	A1	9/2002	Ashjaee et al.	2003/0049499	A1	3/2003	Murakawa et al.
2002/0129768	A1	9/2002	Carpenter et al.	2003/0049571	A1	3/2003	Hallock et al.
2002/0132408	A1	9/2002	Ma et al.	2003/0049580	A1	3/2003	Goodman
2002/0134511	A1	9/2002	Ushioda et al.	2003/0049937	A1	3/2003	Suzuki
2002/0136214	A1	9/2002	Do et al.	2003/0054670	A1	3/2003	Wang et al.
2002/0136909	A1	9/2002	Yang	2003/0056726	A1	3/2003	Holst et al.
2002/0139775	A1	10/2002	Chang	2003/0057848	A1	3/2003	Yuasa et al.
2002/0146512	A1	10/2002	Rossman	2003/0059535	A1	3/2003	Luo et al.
2002/0151327	A1	10/2002	Levitt	2003/0059980	A1	3/2003	Chen et al.
2002/0152244	A1	10/2002	Dean et al.	2003/0062359	A1	4/2003	Ho et al.
2002/0155219	A1	10/2002	Wang et al.	2003/0065413	A1	4/2003	Liteplo et al.
2002/0155708	A1	10/2002	Lo et al.	2003/0066482	A1	4/2003	Pokharna et al.
2002/0157611	A1	10/2002	Bondestam et al.	2003/0066541	A1	4/2003	Sun et al.
2002/0160112	A1	10/2002	Sakai et al.	2003/0066826	A1	4/2003	Lee et al.
2002/0164420	A1	11/2002	Derderian et al.	2003/0070617	A1	4/2003	Kim et al.
2002/0164423	A1	11/2002	Chiang et al.	2003/0071015	A1	4/2003	Chinn et al.
2002/0168870	A1	11/2002	Matsuki	2003/0072882	A1	4/2003	Niinisto et al.
2002/0170676	A1	11/2002	Mitrovic et al.	2003/0075107	A1	4/2003	Miyano et al.
2002/0172768	A1	11/2002	Endo et al.	2003/0075925	A1	4/2003	Lindfors et al.
2002/0174106	A1	11/2002	Martin	2003/0077857	A1	4/2003	Xia et al.
2002/0179011	A1	12/2002	Jonnalagadda et al.	2003/0077883	A1	4/2003	Ohtake
2002/0181612	A1	12/2002	Warble et al.	2003/0082296	A1	5/2003	Elers et al.
2002/0184111	A1	12/2002	Swanson	2003/0082307	A1	5/2003	Chung et al.
2002/0187650	A1	12/2002	Blalock et al.	2003/0085663	A1	5/2003	Horsky
2002/0187656	A1	12/2002	Tan et al.	2003/0091938	A1	5/2003	Fairbairn et al.
2002/0188376	A1	12/2002	Derderian et al.	2003/0094133	A1	5/2003	Yoshidome et al.
2002/0192370	A1	12/2002	Metzner et al.	2003/0101938	A1	6/2003	Ronsse et al.
2002/0197402	A1	12/2002	Chiang et al.	2003/0109107	A1	6/2003	Hsieh et al.
2002/0197849	A1	12/2002	Mandal	2003/0109951	A1	6/2003	Hsiung et al.
2003/0000647	A1	1/2003	Yudovsky et al.	2003/0111012	A1	6/2003	Takeshima
2003/0002562	A1	1/2003	Yerlikaya et al.	2003/0111013	A1	6/2003	Oosterlaken et al.
2003/0003607	A1	1/2003	Kagoshima	2003/0111963	A1	6/2003	Tolmachev et al.
2003/0003635	A1	1/2003	Paranjpe et al.	2003/0113995	A1	6/2003	Xia et al.
2003/0003696	A1	1/2003	Gelatos et al.	2003/0116087	A1	6/2003	Nguyen
2003/0003719	A1	1/2003	Lim et al.	2003/0121608	A1	7/2003	Chen
2003/0008528	A1	1/2003	Xia et al.	2003/0124792	A1	7/2003	Jeon et al.
2003/0008602	A1	1/2003	Ashjaee et al.	2003/0124818	A1	7/2003	Luo et al.
2003/0010355	A1	1/2003	Nowak et al.	2003/0124820	A1	7/2003	Johnsgard et al.
2003/0010451	A1	1/2003	Tzu	2003/0124842	A1	7/2003	Hytros et al.
2003/0010452	A1	1/2003	Park et al.	2003/0127049	A1	7/2003	Han et al.
2003/0012632	A1	1/2003	Saeki	2003/0132319	A1	7/2003	Hytros et al.
2003/0013314	A1	1/2003	Ying et al.	2003/0133854	A1	7/2003	Tabata et al.
2003/0015141	A1	1/2003	Takagi	2003/0134038	A1	7/2003	Paranjpe
				2003/0140851	A1	7/2003	Janakiraman et al.
				2003/0141527	A1	7/2003	Joo et al.
				2003/0141820	A1	7/2003	White et al.
				2003/0143328	A1	7/2003	Chen

(56)

## References Cited

U.S. PATENT DOCUMENTS		
2003/0143846	A1	7/2003 Sekiya et al.
2003/0145789	A1	8/2003 Bauch et al.
2003/0149506	A1	8/2003 Haanstra et al.
2003/0150386	A1	8/2003 Shimada
2003/0153177	A1	8/2003 Tepman et al.
2003/0153186	A1	8/2003 Bar-Gadda
2003/0157345	A1	8/2003 Beldi et al.
2003/0157432	A1	8/2003 Rottsegge
2003/0157436	A1	8/2003 Manger et al.
2003/0159653	A1	8/2003 Dando et al.
2003/0159656	A1	8/2003 Tan
2003/0162412	A1	8/2003 Chung
2003/0168001	A1	9/2003 Sneh
2003/0168008	A1	9/2003 Ohmi et al.
2003/0168012	A1	9/2003 Tamura et al.
2003/0168174	A1	9/2003 Foree
2003/0168699	A1	9/2003 Honda
2003/0168750	A1	9/2003 Basceri et al.
2003/0168948	A1	9/2003 Yamagishi et al.
2003/0170153	A1	9/2003 Bar-Gadda
2003/0170583	A1	9/2003 Nakashima
2003/0170945	A1	9/2003 Igeta et al.
2003/0173030	A1	9/2003 Ishii et al.
2003/0173490	A1	9/2003 Lappen
2003/0176074	A1	9/2003 Paterson et al.
2003/0178145	A1	9/2003 Anderson et al.
2003/0180458	A1	9/2003 Sneh
2003/0181065	A1	9/2003 O'Donnell
2003/0183156	A1	10/2003 Dando
2003/0183856	A1	10/2003 Wieczorek et al.
2003/0188682	A1	10/2003 Tois et al.
2003/0188685	A1	10/2003 Wang
2003/0190804	A1	10/2003 Glenn et al.
2003/0192875	A1	10/2003 Bieker et al.
2003/0198587	A1	10/2003 Kaloyeros
2003/0200926	A1	10/2003 Dando et al.
2003/0201541	A1	10/2003 Kim
2003/0205096	A1	11/2003 Gehner et al.
2003/0205202	A1	11/2003 Funaki et al.
2003/0205237	A1	11/2003 Sakuma
2003/0205327	A1	11/2003 Howald et al.
2003/0207032	A1	11/2003 Ahn et al.
2003/0209323	A1	11/2003 Yokogaki
2003/0209326	A1	11/2003 Lee et al.
2003/0209746	A1	11/2003 Horii
2003/0210901	A1	11/2003 Donald et al.
2003/0211735	A1	11/2003 Rossman
2003/0213435	A1	11/2003 Okuda et al.
2003/0213560	A1	11/2003 Wang et al.
2003/0213562	A1	11/2003 Gondhalekar et al.
2003/0215963	A1	11/2003 AmRhein et al.
2003/0217915	A1	11/2003 Ouellet
2003/0219972	A1	11/2003 Green
2003/0221780	A1	12/2003 Lei et al.
2003/0226840	A1	12/2003 Dalton
2003/0228772	A1	12/2003 Cowans
2003/0230986	A1	12/2003 Horsky et al.
2003/0231698	A1	12/2003 Yamaguchi
2003/0232138	A1	12/2003 Tuominen et al.
2003/0232491	A1	12/2003 Yamaguchi
2003/0232497	A1	12/2003 Xi et al.
2003/0232511	A1	12/2003 Metzner et al.
2003/0234371	A1	12/2003 Ziegler
2004/0002224	A1	1/2004 Chono et al.
2004/0005147	A1	1/2004 Wang et al.
2004/0005753	A1	1/2004 Kostamo et al.
2004/0009307	A1	1/2004 Koh et al.
2004/0009679	A1	1/2004 Yeo et al.
2004/0010772	A1	1/2004 McKenna et al.
2004/0011504	A1	1/2004 Ku et al.
2004/0013577	A1	1/2004 Ganguli et al.
2004/0013818	A1	1/2004 Moon et al.
2004/0015300	A1	1/2004 Ganguli et al.
2004/0016637	A1	1/2004 Yang
2004/0018304	A1	1/2004 Chung et al.
2004/0018307	A1	1/2004 Park et al.
2004/0018694	A1	1/2004 Lee et al.
2004/0018723	A1	1/2004 Byun et al.
2004/0018750	A1	1/2004 Sophie et al.
2004/0023125	A1	2/2004 Nozawa et al.
2004/0023516	A1	2/2004 Londergan et al.
2004/0025786	A1	2/2004 Kontani et al.
2004/0025787	A1	2/2004 Selbrede et al.
2004/0026372	A1	2/2004 Takenaka et al.
2004/0029052	A1	2/2004 Park et al.
2004/0031564	A1	2/2004 Gottscho et al.
2004/0035358	A1	2/2004 Basceri et al.
2004/0036129	A1	2/2004 Forbes et al.
2004/0037339	A1	2/2004 Watson et al.
2004/0037675	A1	2/2004 Zinger et al.
2004/0038525	A1	2/2004 Meng et al.
2004/0043149	A1	3/2004 Gordon et al.
2004/0043544	A1	3/2004 Asai et al.
2004/0048439	A1	3/2004 Soman
2004/0048452	A1	3/2004 Sugawara et al.
2004/0048492	A1	3/2004 Ishikawa et al.
2004/0050325	A1	3/2004 Samoilo
2004/0050496	A1	3/2004 Iwai et al.
2004/0052972	A1	3/2004 Schmitt
2004/0056017	A1	3/2004 Renken
2004/0058517	A1	3/2004 Nallan et al.
2004/0062081	A1	4/2004 Drewes
2004/0063289	A1	4/2004 Ohta
2004/0065255	A1	4/2004 Yang et al.
2004/0069226	A1	4/2004 Yoshida et al.
2004/0071897	A1	4/2004 Verplancken et al.
2004/0077182	A1	4/2004 Lim et al.
2004/0079286	A1	4/2004 Lindfors
2004/0079960	A1	4/2004 Shakuda
2004/0080697	A1	4/2004 Song
2004/0082171	A1	4/2004 Shin et al.
2004/0083961	A1	5/2004 Basceri
2004/0083962	A1	5/2004 Bang et al.
2004/0083964	A1	5/2004 Ingle et al.
2004/0083975	A1	5/2004 Tong et al.
2004/0087141	A1	5/2004 Ramanathan et al.
2004/0087168	A1	5/2004 Granneman et al.
2004/0089078	A1	5/2004 Gehner et al.
2004/0089236	A1	5/2004 Yokogawa et al.
2004/0092073	A1	5/2004 Cabral et al.
2004/0092120	A1	5/2004 Wicker
2004/0093963	A1	5/2004 Gehner et al.
2004/0094206	A1	5/2004 Ishida
2004/0094402	A1	5/2004 Gopalraja
2004/0095074	A1	5/2004 Ishii et al.
2004/0099213	A1	5/2004 Adomaitis et al.
2004/0099635	A1	5/2004 Nishikawa
2004/0101622	A1	5/2004 Park et al.
2004/0103914	A1	6/2004 Cheng et al.
2004/0104439	A1	6/2004 Haukka et al.
2004/0105738	A1	6/2004 Ahn et al.
2004/0106249	A1	6/2004 Huotari
2004/0112288	A1	6/2004 Whitesell
2004/0115936	A1	6/2004 DePettillo et al.
2004/0118342	A1	6/2004 Cheng et al.
2004/0121620	A1	6/2004 Pomarede et al.
2004/0124131	A1	7/2004 Aitchison
2004/0124549	A1	7/2004 Curran
2004/0126213	A1	7/2004 Pelzmann et al.
2004/0126929	A1	7/2004 Tang et al.
2004/0126990	A1	7/2004 Ohta
2004/0127069	A1	7/2004 Yamazaki et al.
2004/0129211	A1	7/2004 Blonigan et al.
2004/0129671	A1	7/2004 Ji et al.
2004/0134429	A1	7/2004 Yamanaka
2004/0137756	A1	7/2004 Li et al.
2004/0142577	A1	7/2004 Sugawara et al.
2004/0144311	A1	7/2004 Chen
2004/0144323	A1	7/2004 Kai
2004/0144980	A1	7/2004 Ahn et al.
2004/0146644	A1	7/2004 Xia et al.
2004/0151844	A1	8/2004 Zhang et al.
2004/0151845	A1	8/2004 Nguyen et al.
2004/0152287	A1	8/2004 Sherrill et al.

(56)

## References Cited

## U.S. PATENT DOCUMENTS

2004/0154746 A1	8/2004	Park	2005/0037610 A1	2/2005	Cha
2004/0159343 A1	8/2004	Shimbara et al.	2005/0037619 A1	2/2005	Granneman et al.
2004/0163590 A1	8/2004	Tran et al.	2005/0040144 A1	2/2005	Sellers
2004/0168627 A1	9/2004	Conley et al.	2005/0042778 A1	2/2005	Peukert
2004/0168742 A1	9/2004	Kim et al.	2005/0046825 A1	3/2005	Powell et al.
2004/0168769 A1	9/2004	Matsuoka et al.	2005/0048797 A1	3/2005	Fukazawa
2004/0169032 A1	9/2004	Murayama et al.	2005/0051093 A1	3/2005	Makino et al.
2004/0185177 A1	9/2004	Basceri et al.	2005/0051100 A1	3/2005	Chiang et al.
2004/0187304 A1	9/2004	Chen et al.	2005/0051854 A1	3/2005	Cabral et al.
2004/0187777 A1	9/2004	Okamoto et al.	2005/0054175 A1	3/2005	Bauer
2004/0187784 A1	9/2004	Sferlazzo	2005/0054198 A1	3/2005	Um
2004/0187790 A1	9/2004	Bader	2005/0054228 A1	3/2005	March
2004/0187928 A1	9/2004	Ambrosina	2005/0056218 A1	3/2005	Sun et al.
2004/0198069 A1	10/2004	Metzner et al.	2005/0056780 A1	3/2005	Miller et al.
2004/0200499 A1	10/2004	Harvey et al.	2005/0059261 A1	3/2005	Basceri et al.
2004/0202786 A1	10/2004	Wongsenakhum et al.	2005/0059262 A1	3/2005	Yin et al.
2004/0203251 A1	10/2004	Kawaguchi et al.	2005/0059264 A1	3/2005	Cheung
2004/0206305 A1	10/2004	Choi et al.	2005/0061964 A1	3/2005	Nagano et al.
2004/0208228 A1	10/2004	Hashikura et al.	2005/0062773 A1	3/2005	Fouet
2004/0209477 A1	10/2004	Buxbaum et al.	2005/0063451 A1	3/2005	Abe et al.
2004/0211357 A1	10/2004	Gadgil	2005/0064207 A1	3/2005	Senzaki et al.
2004/0212947 A1	10/2004	Nguyen	2005/0064719 A1	3/2005	Liu
2004/0213921 A1	10/2004	Leu	2005/0066893 A1	3/2005	Soininen
2004/0214399 A1	10/2004	Ahn et al.	2005/0069651 A1	3/2005	Miyoshi
2004/0214445 A1	10/2004	Shimizu et al.	2005/0070123 A1	3/2005	Hirano
2004/0217217 A1	11/2004	Han et al.	2005/0070128 A1	3/2005	Xia et al.
2004/0219793 A1	11/2004	Hishiya et al.	2005/0070729 A1	3/2005	Kiyomori et al.
2004/0220699 A1	11/2004	Heden et al.	2005/0072357 A1	4/2005	Shero et al.
2004/0221807 A1	11/2004	Verghese et al.	2005/0074576 A1	4/2005	Chaiken et al.
2004/0221808 A1	11/2004	Kawano	2005/0074983 A1	4/2005	Shinriki et al.
2004/0223893 A1	11/2004	Tabata et al.	2005/0079124 A1	4/2005	Sanderson
2004/0224478 A1	11/2004	Chudzik et al.	2005/0079691 A1	4/2005	Kim et al.
2004/0226507 A1	11/2004	Carpenter et al.	2005/0081786 A1	4/2005	Kubista et al.
2004/0226515 A1	11/2004	Yendler et al.	2005/0085090 A1	4/2005	Mui et al.
2004/0228968 A1	11/2004	Basceri	2005/0090123 A1	4/2005	Nishimura et al.
2004/0231600 A1	11/2004	Lee	2005/0092247 A1	5/2005	Schmidt
2004/0231799 A1	11/2004	Lee et al.	2005/0092249 A1	5/2005	Kilpela et al.
2004/0238523 A1	12/2004	Kuibira et al.	2005/0092439 A1	5/2005	Keeton et al.
2004/0241322 A1	12/2004	Basceri et al.	2005/0092733 A1	5/2005	Ito et al.
2004/0241341 A1	12/2004	Lin	2005/0095770 A1	5/2005	Kumagai et al.
2004/0241998 A1	12/2004	Hanson	2005/0095779 A1	5/2005	Park et al.
2004/0245091 A1	12/2004	Karim et al.	2005/0095859 A1	5/2005	Chen et al.
2004/0247779 A1	12/2004	Selvamanickam et al.	2005/0098107 A1	5/2005	Du Bois et al.
2004/0250600 A1	12/2004	Bevens et al.	2005/0100669 A1	5/2005	Kools et al.
2004/0253790 A1	12/2004	Ootsuka	2005/0101154 A1	5/2005	Huang
2004/0253867 A1	12/2004	Matsumoto	2005/0101843 A1	5/2005	Quinn et al.
2004/0261492 A1	12/2004	Zarkar et al.	2005/0104112 A1	5/2005	Haukka et al.
2004/0261706 A1	12/2004	Lindfors et al.	2005/0106762 A1	5/2005	Chakrapani et al.
2004/0261712 A1	12/2004	Hayashi et al.	2005/0106893 A1	5/2005	Wilk
2004/0261946 A1	12/2004	Endoh et al.	2005/0107627 A1	5/2005	Dussarrat et al.
2004/0266011 A1	12/2004	Lee et al.	2005/0109461 A1	5/2005	Sun
2005/0000428 A1	1/2005	Shero et al.	2005/0110069 A1	5/2005	Kil et al.
2005/0001062 A1	1/2005	McCracken et al.	2005/0112282 A1	5/2005	Gordon et al.
2005/0003089 A1	1/2005	Won et al.	2005/0115946 A1	6/2005	Shim et al.
2005/0003600 A1	1/2005	Kasai et al.	2005/0118804 A1	6/2005	Byun et al.
2005/0003662 A1	1/2005	Jurisch et al.	2005/0118837 A1	6/2005	Todd
2005/0006682 A1	1/2005	Bae et al.	2005/0120805 A1	6/2005	Lane
2005/0008799 A1	1/2005	Tomiyasu et al.	2005/0120962 A1	6/2005	Ushioda et al.
2005/0009325 A1	1/2005	Chung et al.	2005/0121145 A1	6/2005	Du Bois et al.
2005/0016452 A1	1/2005	Ryu et al.	2005/0123690 A1	6/2005	Derderian et al.
2005/0016470 A1	1/2005	Kang et al.	2005/0130427 A1	6/2005	Seok-Jun
2005/0016956 A1	1/2005	Liu et al.	2005/0132957 A1	6/2005	El-Raghy
2005/0017272 A1	1/2005	Yamashita et al.	2005/0133160 A1	6/2005	Kennedy et al.
2005/0019026 A1	1/2005	Wang et al.	2005/0133161 A1	6/2005	Carpenter et al.
2005/0019494 A1	1/2005	Moghadam et al.	2005/0133166 A1	6/2005	Satitpunwaycha et al.
2005/0019960 A1	1/2005	Lee et al.	2005/0136188 A1	6/2005	Chang
2005/0020071 A1	1/2005	Sonobe et al.	2005/0136657 A1	6/2005	Yokoi et al.
2005/0023231 A1	2/2005	Huang et al.	2005/0139160 A1	6/2005	Lei et al.
2005/0023624 A1	2/2005	Ahn et al.	2005/0141591 A1	6/2005	Sakano
2005/0026402 A1	2/2005	Jurgensen	2005/0142361 A1	6/2005	Nakanishi
2005/0033075 A1	2/2005	Chi et al.	2005/0145338 A1	7/2005	Park et al.
2005/0034664 A1	2/2005	Koh et al.	2005/0148162 A1	7/2005	Chen et al.
2005/0034674 A1	2/2005	Ono	2005/0150601 A1	7/2005	Srivastava
2005/0037154 A1	2/2005	Koh et al.	2005/0151184 A1	7/2005	Lee et al.
2005/0037578 A1	2/2005	Chen et al.	2005/0153571 A1	7/2005	Senzaki
			2005/0153573 A1	7/2005	Okudaira et al.
			2005/0160987 A1	7/2005	Kasai et al.
			2005/0161434 A1	7/2005	Sugawara et al.
			2005/0164469 A1	7/2005	Haupt

(56)

## References Cited

## U.S. PATENT DOCUMENTS

2005/0170306	A1	8/2005	Oosterlaken et al.	2006/0009044	A1	1/2006	Igeta et al.
2005/0172895	A1	8/2005	Kijima et al.	2006/0013674	A1	1/2006	Elliott et al.
2005/0173003	A1	8/2005	Laverdiere et al.	2006/0013946	A1	1/2006	Park et al.
2005/0175789	A1	8/2005	Helms	2006/0014384	A1	1/2006	Lee et al.
2005/0178333	A1	8/2005	Loke et al.	2006/0014397	A1	1/2006	Seamons et al.
2005/0181535	A1	8/2005	Yun et al.	2006/0016783	A1	1/2006	Wu et al.
2005/0181555	A1	8/2005	Haukka et al.	2006/0019033	A1	1/2006	Muthukrishnan et al.
2005/0183827	A1	8/2005	White et al.	2006/0019495	A1	1/2006	Marcadal et al.
2005/0186688	A1	8/2005	Basceri	2006/0019502	A1	1/2006	Park et al.
2005/0187647	A1	8/2005	Wang et al.	2006/0021572	A1	2/2006	Wolden
2005/0191828	A1	9/2005	Al-Bayati et al.	2006/0021573	A1	2/2006	Monsma et al.
2005/0193948	A1	9/2005	Oohirabaru et al.	2006/0021703	A1	2/2006	Umotoy et al.
2005/0193952	A1	9/2005	Goodman et al.	2006/0024439	A2	2/2006	Tuominen et al.
2005/0199013	A1	9/2005	Vandroux et al.	2006/0026314	A1	2/2006	Franchuk et al.
2005/0199342	A1	9/2005	Shajii et al.	2006/0032443	A1	2/2006	Hasebe et al.
2005/0201908	A1	9/2005	Nakamura et al.	2006/0040054	A1	2/2006	Pearlstein et al.
2005/0208217	A1	9/2005	Shinriki et al.	2006/0040508	A1	2/2006	Ji
2005/0208219	A1	9/2005	Basceri	2006/0046518	A1	3/2006	Hill et al.
2005/0208718	A1	9/2005	Lim et al.	2006/0048710	A1	3/2006	Horiguchi et al.
2005/0211167	A1	9/2005	Gunji	2006/0051505	A1	3/2006	Kortshagen et al.
2005/0211384	A1	9/2005	Hayashi	2006/0051520	A1	3/2006	Behle et al.
2005/0212119	A1	9/2005	Shero	2006/0051925	A1	3/2006	Ahn et al.
2005/0214457	A1	9/2005	Schmitt et al.	2006/0057799	A1	3/2006	Horiguchi et al.
2005/0214458	A1	9/2005	Meiere	2006/0057828	A1	3/2006	Omura
2005/0208778	A1	10/2005	Li	2006/0057858	A1	3/2006	Chung et al.
2005/0218462	A1	10/2005	Ahn et al.	2006/0060930	A1	3/2006	Metz et al.
2005/0221021	A1	10/2005	Strang	2006/0062910	A1	3/2006	Meiere
2005/0221618	A1	10/2005	AmRhein et al.	2006/0063346	A1	3/2006	Lee et al.
2005/0223982	A1	10/2005	Park et al.	2006/0068097	A1	3/2006	Yamasaki et al.
2005/0223994	A1	10/2005	Blomiley et al.	2006/0068104	A1	3/2006	Ishizaka
2005/0227502	A1	10/2005	Schmitt et al.	2006/0068121	A1	3/2006	Lee et al.
2005/0229848	A1	10/2005	Shinriki	2006/0068125	A1	3/2006	Radhakrishnan
2005/0229849	A1	10/2005	Silveti et al.	2006/0081558	A1	4/2006	Collins et al.
2005/0229972	A1	10/2005	Hoshi et al.	2006/0087638	A1	4/2006	Hirayanagi
2005/0233477	A1	10/2005	Yamazaki et al.	2006/0090702	A1	5/2006	Koo et al.
2005/0238807	A1	10/2005	Lin et al.	2006/0093756	A1	5/2006	Rajagopalan et al.
2005/0241176	A1	11/2005	Shero et al.	2006/0094236	A1	5/2006	Elkins et al.
2005/0241763	A1	11/2005	Huang et al.	2006/0096540	A1	5/2006	Choi
2005/0241765	A1	11/2005	Dhindsa et al.	2006/0097220	A1	5/2006	Kim et al.
2005/0245058	A1	11/2005	Lee et al.	2006/0097305	A1	5/2006	Lee
2005/0249876	A1	11/2005	Kawahara et al.	2006/0099782	A1	5/2006	Ritenour
2005/0250340	A1	11/2005	Chen et al.	2006/0102968	A1	5/2006	Bojarczuk et al.
2005/0251990	A1	11/2005	Choi	2006/0105566	A1	5/2006	Waldfried et al.
2005/0252447	A1	11/2005	Zhao et al.	2006/0107898	A1	5/2006	Blomberg
2005/0252449	A1	11/2005	Nguyen et al.	2006/0108221	A1	5/2006	Goodwin et al.
2005/0252455	A1	11/2005	Moriya et al.	2006/0108331	A1	5/2006	Nozawa et al.
2005/0253061	A1	11/2005	Cameron et al.	2006/0110930	A1	5/2006	Senzaki
2005/0255257	A1	11/2005	Choi et al.	2006/0110934	A1	5/2006	Fukuchi
2005/0255327	A1	11/2005	Chaney et al.	2006/0113038	A1	6/2006	Gondhalekar et al.
2005/0258280	A1	11/2005	Goto et al.	2006/0113675	A1	6/2006	Chang et al.
2005/0260347	A1	11/2005	Narwankar et al.	2006/0113806	A1	6/2006	Tsuji et al.
2005/0260837	A1	11/2005	Walther et al.	2006/0115589	A1	6/2006	Vukovic
2005/0260850	A1	11/2005	Loke	2006/0118240	A1	6/2006	Holber et al.
2005/0263072	A1	12/2005	Balasubramanian et al.	2006/0118241	A1	6/2006	Ohmi et al.
2005/0263075	A1	12/2005	Wang et al.	2006/0125099	A1	6/2006	Gordon et al.
2005/0263719	A1	12/2005	Ohdaira et al.	2006/0127067	A1	6/2006	Wintenberger et al.
2005/0263932	A1	12/2005	Heugel	2006/0128142	A1	6/2006	Whelan et al.
2005/0268856	A1	12/2005	Miller et al.	2006/0128168	A1	6/2006	Ahn et al.
2005/0271812	A1	12/2005	Myo et al.	2006/0130751	A1	6/2006	Volfovski et al.
2005/0271813	A1	12/2005	Kher et al.	2006/0130767	A1	6/2006	Herchen
2005/0272247	A1	12/2005	Ikeda et al.	2006/0133955	A1	6/2006	Peters
2005/0274323	A1	12/2005	Seidel et al.	2006/0137608	A1	6/2006	Choi et al.
2005/0276928	A1	12/2005	Okumura et al.	2006/0137609	A1	6/2006	Puchacz et al.
2005/0277271	A1	12/2005	Beintner	2006/0141155	A1	6/2006	Gordon et al.
2005/0282101	A1	12/2005	Adachi	2006/0141758	A1	6/2006	Naumann et al.
2005/0282350	A1	12/2005	Chou et al.	2006/0144820	A1	7/2006	Sawin et al.
2005/0284573	A1	12/2005	Egley et al.	2006/0147626	A1	7/2006	Blomberg
2005/0284991	A1	12/2005	Saez	2006/0148151	A1	7/2006	Murthy et al.
2005/0285097	A1	12/2005	Shang et al.	2006/0148180	A1	7/2006	Ahn et al.
2005/0285208	A1	12/2005	Ren et al.	2006/0151117	A1	7/2006	Kasanami et al.
2005/0287725	A1	12/2005	Kitagawa	2006/0154424	A1	7/2006	Yang et al.
2005/0287771	A1	12/2005	Seamons et al.	2006/0156979	A1	7/2006	Thakur et al.
2006/0000411	A1	1/2006	Seo	2006/0156981	A1	7/2006	Fondurulia
2006/0006538	A1	1/2006	Allman et al.	2006/0162658	A1	7/2006	Weidman
2006/0008997	A1	1/2006	Jang et al.	2006/0162661	A1	7/2006	Jung et al.
				2006/0162863	A1	7/2006	Kim et al.
				2006/0163612	A1	7/2006	Kouvetakis et al.
				2006/0163683	A1	7/2006	Roth et al.
				2006/0165892	A1	7/2006	Weidman

(56)

## References Cited

## U.S. PATENT DOCUMENTS

2006/0166428	A1	7/2006	Kamioka	2007/0012402	A1	1/2007	Sneh
2006/0172531	A1	8/2006	Lin et al.	2007/0014919	A1	1/2007	Hamalainen et al.
2006/0175669	A1	8/2006	Kim et al.	2007/0020160	A1	1/2007	Berkman et al.
2006/0176928	A1	8/2006	Nakamura et al.	2007/0020167	A1	1/2007	Han et al.
2006/0177855	A1	8/2006	Utermohlen	2007/0020830	A1	1/2007	Speranza
2006/0182885	A1	8/2006	Lei et al.	2007/0020953	A1	1/2007	Tsai et al.
2006/0185589	A1	8/2006	Zehavi et al.	2007/0022954	A1	2/2007	Iizuka et al.
2006/0188360	A1	8/2006	Bonora et al.	2007/0026148	A1	2/2007	Arai et al.
2006/0191555	A1	8/2006	Yoshida et al.	2007/0026162	A1	2/2007	Wei et al.
2006/0193979	A1	8/2006	Meiere et al.	2007/0026540	A1	2/2007	Nooten et al.
2006/0193980	A1	8/2006	Hasegawa	2007/0026654	A1	2/2007	Huotari et al.
2006/0196418	A1	9/2006	Lindfors et al.	2007/0028842	A1	2/2007	Inagawa et al.
2006/0196420	A1	9/2006	Ushakov et al.	2007/0031598	A1	2/2007	Okuyama et al.
2006/0196421	A1	9/2006	Ronsse et al.	2007/0031599	A1	2/2007	Gschwandtner et al.
2006/0199357	A1	9/2006	Wan et al.	2007/0032004	A1	2/2007	Ramaswamy et al.
2006/0205194	A1	9/2006	Bauer	2007/0032045	A1	2/2007	Kasahara et al.
2006/0205223	A1	9/2006	Smayling	2007/0032054	A1	2/2007	Ramaswamy et al.
2006/0205231	A1	9/2006	Chou et al.	2007/0032082	A1	2/2007	Ramaswamy et al.
2006/0208215	A1	9/2006	Metzner et al.	2007/0032095	A1	2/2007	Ramaswamy et al.
2006/0211224	A1	9/2006	Matsuda	2007/0034477	A1	2/2007	Inui
2006/0211243	A1	9/2006	Ishizaka et al.	2007/0037343	A1	2/2007	Colombo et al.
2006/0211259	A1	9/2006	Maes	2007/0037412	A1	2/2007	Dip et al.
2006/0213437	A1	9/2006	Ishizaka et al.	2007/0042117	A1	2/2007	Kupurao et al.
2006/0213439	A1	9/2006	Ishizaka	2007/0042581	A1	2/2007	Sano et al.
2006/0213441	A1	9/2006	Kobrin et al.	2007/0044716	A1	3/2007	Tetsuka et al.
2006/0216942	A1	9/2006	Kim et al.	2007/0045244	A1	3/2007	Lee et al.
2006/0219169	A1	10/2006	Chen et al.	2007/0047384	A1	3/2007	McLaughlin et al.
2006/0219361	A1	10/2006	Wang et al.	2007/0048953	A1	3/2007	Gealy et al.
2006/0219363	A1	10/2006	Matsumoto et al.	2007/0049053	A1	3/2007	Mahajani
2006/0223301	A1	10/2006	Vanhaelemeersch et al.	2007/0051299	A1	3/2007	Ong et al.
2006/0223337	A1	10/2006	Ahn et al.	2007/0051312	A1	3/2007	Sneh
2006/0226117	A1	10/2006	Bertram et al.	2007/0051471	A1	3/2007	Kawaguchi et al.
2006/0228496	A1	10/2006	Choi	2007/0054049	A1	3/2007	Lindfors et al.
2006/0228863	A1	10/2006	Zhang et al.	2007/0054499	A1	3/2007	Jang
2006/0228888	A1	10/2006	Lee et al.	2007/0056843	A1	3/2007	Ye et al.
2006/0228898	A1	10/2006	Wajda et al.	2007/0056850	A1	3/2007	Ye et al.
2006/0236934	A1	10/2006	Choi et al.	2007/0059948	A1	3/2007	Metzner et al.
2006/0240187	A1	10/2006	Weidman	2007/0062439	A1	3/2007	Wada et al.
2006/0240574	A1	10/2006	Yoshie	2007/0062453	A1	3/2007	Ishikawa
2006/0240662	A1	10/2006	Conley et al.	2007/0062646	A1	3/2007	Ogawa et al.
2006/0247404	A1	11/2006	Todd	2007/0065578	A1	3/2007	McDougall
2006/0249175	A1	11/2006	Nowak et al.	2007/0065597	A1	3/2007	Kaido et al.
2006/0249253	A1	11/2006	Dando	2007/0066010	A1	3/2007	Ando
2006/0251827	A1	11/2006	Nowak	2007/0066038	A1	3/2007	Sadjadi et al.
2006/0252228	A1	11/2006	Jeng	2007/0066079	A1	3/2007	Kolster et al.
2006/0252244	A1	11/2006	Vaartstra et al.	2007/0066084	A1	3/2007	Wajda et al.
2006/0252351	A1	11/2006	Kundracik	2007/0074665	A1	4/2007	Chacin et al.
2006/0254514	A1	11/2006	Kang et al.	2007/0077355	A1	4/2007	Chacin et al.
2006/0257563	A1	11/2006	Doh et al.	2007/0082132	A1	4/2007	Shinriki
2006/0257584	A1	11/2006	Derderian et al.	2007/0082500	A1	4/2007	Norman et al.
2006/0258078	A1	11/2006	Lee et al.	2007/0082508	A1	4/2007	Chiang et al.
2006/0258173	A1	11/2006	Xiao et al.	2007/0084405	A1	4/2007	Kim
2006/0260545	A1	11/2006	Ramaswamy et al.	2007/0087296	A1	4/2007	Kim et al.
2006/0263522	A1	11/2006	Byun	2007/0087515	A1	4/2007	Yieh et al.
2006/0263540	A1	11/2006	Ramaswamy et al.	2007/0087579	A1	4/2007	Kitayama et al.
2006/0264060	A1	11/2006	Ramaswamy et al.	2007/0089670	A1	4/2007	Ikedo
2006/0264066	A1	11/2006	Bartholomew	2007/0092696	A1	4/2007	Tsukatani et al.
2006/0266289	A1	11/2006	Vergheze et al.	2007/0095283	A1	5/2007	Galewski
2006/0269690	A1	11/2006	Watanabe et al.	2007/0095286	A1	5/2007	Baek et al.
2006/0269692	A1	11/2006	Balseanu	2007/0096194	A1	5/2007	Streck et al.
2006/0275710	A1	12/2006	Yamazaki et al.	2007/0098527	A1	5/2007	Hall et al.
2006/0275933	A1	12/2006	Du Bois et al.	2007/0107845	A1	5/2007	Ishizawa et al.
2006/0278524	A1	12/2006	Stowell	2007/0111030	A1	5/2007	Nakano et al.
2006/0283629	A1	12/2006	Kikuchi et al.	2007/0111470	A1	5/2007	Smythe
2006/0286774	A1	12/2006	Singh et al.	2007/0111545	A1	5/2007	Lee et al.
2006/0286775	A1	12/2006	Singh et al.	2007/0113788	A1	5/2007	Nozawa et al.
2006/0286817	A1	12/2006	Kato et al.	2007/0116872	A1	5/2007	Li et al.
2006/0286818	A1	12/2006	Wang et al.	2007/0116873	A1	5/2007	Li et al.
2006/0286819	A1	12/2006	Seutter	2007/0116887	A1	5/2007	Faguet
2006/0291982	A1	12/2006	Tanaka	2007/0116888	A1	5/2007	Faguet
2006/0292310	A1	12/2006	Le et al.	2007/0119370	A1	5/2007	Ma et al.
2006/0292845	A1	12/2006	Chiang et al.	2007/0120275	A1	5/2007	Liu
2007/0004204	A1	1/2007	Fukazawa et al.	2007/0123037	A1	5/2007	Lee et al.
2007/0006806	A1	1/2007	Imai	2007/0123060	A1	5/2007	Rahtu
2007/0010072	A1	1/2007	Bailey et al.	2007/0123189	A1	5/2007	Saito et al.
				2007/0125762	A1	6/2007	Cui et al.
				2007/0128538	A1	6/2007	Fairbairn et al.
				2007/0128570	A1	6/2007	Goto et al.
				2007/0128858	A1	6/2007	Haukka et al.

(56)

## References Cited

## U.S. PATENT DOCUMENTS

2007/0128876	A1	6/2007	Fukiage	2007/0249131	A1	10/2007	Allen et al.
2007/0128888	A1	6/2007	Goto et al.	2007/0251444	A1	11/2007	Gros-Jean et al.
2007/0129621	A1	6/2007	Kellogg et al.	2007/0251456	A1	11/2007	Herchen et al.
2007/0131168	A1	6/2007	Gomi et al.	2007/0252233	A1	11/2007	Yamazaki et al.
2007/0134821	A1	6/2007	Thakur et al.	2007/0252244	A1	11/2007	Srividya et al.
2007/0134919	A1	6/2007	Gunji et al.	2007/0252532	A1	11/2007	DeVancentis et al.
2007/0134942	A1	6/2007	Ahn et al.	2007/0254414	A1	11/2007	Miyanami
2007/0137794	A1	6/2007	Qiu et al.	2007/0258506	A1	11/2007	Schwagerman et al.
2007/0144442	A1	6/2007	Migita	2007/0258855	A1	11/2007	Turcot et al.
2007/0146621	A1	6/2007	Yeom	2007/0259778	A1	11/2007	Spencer et al.
2007/0148347	A1	6/2007	Hatanpaa et al.	2007/0261868	A1	11/2007	Gross
2007/0148350	A1	6/2007	Rahtu	2007/0264427	A1	11/2007	Shinriki et al.
2007/0148990	A1	6/2007	Deboer et al.	2007/0264793	A1	11/2007	Oh et al.
2007/0153625	A1	6/2007	Lundgren et al.	2007/0264807	A1	11/2007	Leone et al.
2007/0155138	A1	7/2007	Tomasini et al.	2007/0266932	A1	11/2007	Hiramatsu
2007/0157466	A1	7/2007	Kida et al.	2007/0266945	A1	11/2007	Shuto et al.
2007/0157683	A1	7/2007	Li	2007/0269983	A1	11/2007	Sneh
2007/0158026	A1	7/2007	Amikura	2007/0275166	A1	11/2007	Thridandam et al.
2007/0163440	A1	7/2007	Kim et al.	2007/0277735	A1	12/2007	Mokhesi et al.
2007/0163490	A1	7/2007	Habel et al.	2007/0281082	A1	12/2007	Mokhesi et al.
2007/0163625	A1	7/2007	Lee	2007/0281105	A1	12/2007	Mokhesi et al.
2007/0163996	A1	7/2007	Horiguchi	2007/0281106	A1	12/2007	Lubomirsky et al.
2007/0166457	A1	7/2007	Yamoto et al.	2007/0281496	A1	12/2007	Ingle et al.
2007/0166459	A1*	7/2007	Chang ..... C23C 16/45574 427/248.1	2007/0281965	A1	12/2007	Suzuki et al.
2007/0166966	A1	7/2007	Todd et al.	2007/0286957	A1	12/2007	Lubomirsky et al.
2007/0166999	A1	7/2007	Vaarstra	2007/0289534	A1	12/2007	Mizuno et al.
2007/0170372	A1	7/2007	Horsky	2007/0292974	A1	12/2007	Tiller et al.
2007/0173071	A1	7/2007	Afzali-Ardakani et al.	2007/0295602	A1	12/2007	Rocha-Alvarez et al.
2007/0175393	A1	8/2007	Nishimura et al.	2007/0298362	A1	12/2007	Nieh et al.
2007/0175397	A1	8/2007	Tomiyasu et al.	2007/0298565	A1	12/2007	Nieh et al.
2007/0178235	A1	8/2007	Yamada et al.	2008/0003425	A1	1/2008	Spencer et al.
2007/0181066	A1	8/2007	Cadwell et al.	2008/0003824	A1	1/2008	Padhi et al.
2007/0184179	A1	8/2007	Waghray et al.	2008/0003838	A1	1/2008	Haukka et al.
2007/0186849	A1	8/2007	Furuya	2008/0006208	A1	1/2008	Ueno et al.
2007/0186952	A1	8/2007	Honda et al.	2008/0018004	A1	1/2008	Steidl
2007/0187362	A1	8/2007	Nakagawa et al.	2008/0020591	A1	1/2008	Balseanu et al.
2007/0187363	A1	8/2007	Oka et al.	2008/0020593	A1	1/2008	Wang et al.
2007/0190266	A1	8/2007	Fu et al.	2008/0023436	A1	1/2008	Gros-Jean et al.
2007/0190362	A1	8/2007	Weidman	2008/0026162	A1	1/2008	Dickey et al.
2007/0190744	A1	8/2007	Hiraiwa et al.	2008/0026574	A1	1/2008	Brcka
2007/0190782	A1	8/2007	Park	2008/0026597	A1	1/2008	Munro et al.
2007/0199510	A1	8/2007	Weiner et al.	2008/0029790	A1	2/2008	Ahn et al.
2007/0202678	A1	8/2007	Plombon et al.	2008/0031708	A1	2/2008	Bonora et al.
2007/0205788	A1	9/2007	Natsuhara et al.	2008/0032514	A1	2/2008	Sano et al.
2007/0207275	A1	9/2007	Nowak et al.	2008/0035055	A1	2/2008	Dip et al.
2007/0209588	A1	9/2007	Li et al.	2008/0035306	A1	2/2008	White et al.
2007/0209590	A1	9/2007	Li	2008/0035607	A1	2/2008	O'Hara et al.
2007/0210890	A1	9/2007	Hsu et al.	2008/0036354	A1	2/2008	Letz et al.
2007/0212484	A1	9/2007	Li	2008/0038485	A1	2/2008	Fukazawa et al.
2007/0212811	A1	9/2007	Hanawa et al.	2008/0038934	A1	2/2008	Vrtis et al.
2007/0212827	A1	9/2007	Girotra et al.	2008/0042165	A1	2/2008	Sugizaki
2007/0215048	A1	9/2007	Suzuki et al.	2008/0042192	A1	2/2008	Park et al.
2007/0215278	A1	9/2007	Furuse et al.	2008/0043803	A1	2/2008	Bandoh
2007/0215580	A1	9/2007	Koshiishi et al.	2008/0044932	A1	2/2008	Samoilov et al.
2007/0218200	A1	9/2007	Suzuki et al.	2008/0044938	A1	2/2008	England et al.
2007/0218705	A1	9/2007	Matsuki et al.	2008/0050536	A1	2/2008	Aing et al.
2007/0222131	A1	9/2007	Fukumoto et al.	2008/0050538	A1	2/2008	Hirata
2007/0224777	A1	9/2007	Hamelin	2008/0054332	A1	3/2008	Kim et al.
2007/0224833	A1	9/2007	Morisada et al.	2008/0054813	A1	3/2008	Espiau et al.
2007/0227665	A1	10/2007	Matsumoto et al.	2008/0056860	A1	3/2008	Natume
2007/0231488	A1	10/2007	Von Kaenel	2008/0057659	A1	3/2008	Forbes et al.
2007/0232031	A1	10/2007	Singh et al.	2008/0061667	A1	3/2008	Gaertner et al.
2007/0232071	A1	10/2007	Balseanu et al.	2008/0063798	A1	3/2008	Kher et al.
2007/0232501	A1	10/2007	Tomomura	2008/0066778	A1	3/2008	Matsushita et al.
2007/0234955	A1	10/2007	Suzuki et al.	2008/0067146	A1	3/2008	Onishi et al.
2007/0237697	A1	10/2007	Clark	2008/0069951	A1	3/2008	Chacin et al.
2007/0237698	A1	10/2007	Clark	2008/0069955	A1	3/2008	Hong et al.
2007/0237699	A1	10/2007	Clark	2008/0072821	A1	3/2008	Dalton et al.
2007/0238305	A1	10/2007	Delgadino et al.	2008/0075562	A1	3/2008	Maria et al.
2007/0241688	A1	10/2007	DeVancentis et al.	2008/0075838	A1	3/2008	Inoue et al.
2007/0243317	A1	10/2007	Du Bois et al.	2008/0075881	A1	3/2008	Won et al.
2007/0247075	A1	10/2007	Kim et al.	2008/0076070	A1	3/2008	Koh et al.
2007/0248767	A1	10/2007	Okura	2008/0076266	A1	3/2008	Fukazawa et al.
2007/0248832	A1	10/2007	Maeda et al.	2008/0076281	A1	3/2008	Ciancanelli et al.
				2008/0081104	A1	4/2008	Hasebe et al.
				2008/0081113	A1	4/2008	Clark
				2008/0081121	A1	4/2008	Morita et al.
				2008/0083710	A1	4/2008	Chen et al.
				2008/0083948	A1	4/2008	Lin et al.
				2008/0085226	A1	4/2008	Fondurulia et al.

(56)

## References Cited

## U.S. PATENT DOCUMENTS

2008/0085610	A1	4/2008	Wang et al.	2008/0213696	A1	9/2008	Meeus et al.
2008/0087218	A1	4/2008	Shimada et al.	2008/0214003	A1	9/2008	Xia et al.
2008/0087642	A1	4/2008	Sawin et al.	2008/0216077	A1	9/2008	Emani et al.
2008/0087890	A1	4/2008	Ahn et al.	2008/0216742	A1	9/2008	Takebayashi
2008/0092815	A1	4/2008	Chen et al.	2008/0216958	A1	9/2008	Goto et al.
2008/0092821	A1	4/2008	Otsuka et al.	2008/0220619	A1	9/2008	Matsushita et al.
2008/0099147	A1	5/2008	Myo et al.	2008/0223130	A1	9/2008	Snell et al.
2008/0102203	A1	5/2008	Wu	2008/0223725	A1	9/2008	Han et al.
2008/0102205	A1	5/2008	Barry et al.	2008/0224240	A1	9/2008	Ahn et al.
2008/0102208	A1	5/2008	Wu et al.	2008/0228306	A1	9/2008	Yetter et al.
2008/0102603	A1	5/2008	Kobayashi et al.	2008/0229811	A1	9/2008	Zhao et al.
2008/0102630	A1	5/2008	Saito	2008/0230352	A1	9/2008	Hirata
2008/0105276	A1	5/2008	Yeh et al.	2008/0230371	A1	9/2008	McHugh
2008/0110401	A1	5/2008	Fujikawa et al.	2008/0233288	A1	9/2008	Clark
2008/0110568	A1	5/2008	Son et al.	2008/0237572	A1	10/2008	Chui et al.
2008/0113094	A1	5/2008	Casper	2008/0237604	A1	10/2008	Alshareef et al.
2008/0113096	A1	5/2008	Mahajani	2008/0241052	A1	10/2008	Hooper et al.
2008/0113097	A1	5/2008	Mahajani et al.	2008/0241384	A1	10/2008	Jeong
2008/0118334	A1	5/2008	Bonora	2008/0241387	A1	10/2008	Keto
2008/0121177	A1	5/2008	Bang et al.	2008/0242116	A1	10/2008	Clark
2008/0121626	A1	5/2008	Thomas et al.	2008/0246101	A1	10/2008	Li et al.
2008/0121962	A1	5/2008	Forbes et al.	2008/0248310	A1	10/2008	Kim et al.
2008/0124197	A1	5/2008	van der Meulen et al.	2008/0248597	A1	10/2008	Qin et al.
2008/0124908	A1	5/2008	Forbes et al.	2008/0257102	A1	10/2008	Packer
2008/0124945	A1	5/2008	Miya et al.	2008/0257494	A1	10/2008	Hayashi et al.
2008/0124946	A1	5/2008	Xiao et al.	2008/0260345	A1	10/2008	Mertesdorf et al.
2008/0128726	A1	6/2008	Sakata et al.	2008/0260963	A1	10/2008	Yoon et al.
2008/0129209	A1	6/2008	Deakins et al.	2008/0261405	A1	10/2008	Yang et al.
2008/0132046	A1	6/2008	Walther	2008/0261413	A1	10/2008	Mahajani
2008/0133154	A1	6/2008	Krauss et al.	2008/0264337	A1	10/2008	Sano et al.
2008/0134887	A1	6/2008	Sherer	2008/0264443	A1	10/2008	Shrinivasan et al.
2008/0135516	A1	6/2008	Yokogawa et al.	2008/0267598	A1	10/2008	Nakamura
2008/0135936	A1	6/2008	Nakajima	2008/0268171	A1	10/2008	Ma et al.
2008/0142046	A1	6/2008	Johnson et al.	2008/0268635	A1	10/2008	Yu et al.
2008/0142483	A1	6/2008	Hua	2008/0272424	A1	11/2008	Kim et al.
2008/0146033	A1	6/2008	Park	2008/0274369	A1	11/2008	Lee et al.
2008/0149031	A1	6/2008	Chu et al.	2008/0276864	A1	11/2008	Koelmel et al.
2008/0149593	A1	6/2008	Bai et al.	2008/0277647	A1	11/2008	Kouvetakis et al.
2008/0152463	A1	6/2008	Chidambaram et al.	2008/0277656	A1	11/2008	Park et al.
2008/0153308	A1	6/2008	Ogawa et al.	2008/0277715	A1	11/2008	Ohmi et al.
2008/0153311	A1	6/2008	Padhi et al.	2008/0282970	A1	11/2008	Heys et al.
2008/0156769	A1	7/2008	Weiner et al.	2008/0283962	A1	11/2008	Dyer
2008/0157157	A1	7/2008	Tomomura	2008/0286463	A1	11/2008	Tiner et al.
2008/0157212	A1	7/2008	Lavoie et al.	2008/0289574	A1	11/2008	Jacobs et al.
2008/0157365	A1	7/2008	Ott et al.	2008/0289650	A1	11/2008	Arena
2008/0173237	A1	7/2008	Collins	2008/0289767	A1	11/2008	Tandou et al.
2008/0173238	A1	7/2008	Nakashima et al.	2008/0291964	A1	11/2008	Shrimpling
2008/0173240	A1	7/2008	Furukawahara	2008/0293198	A1	11/2008	Kojima et al.
2008/0173326	A1	7/2008	Gu et al.	2008/0295872	A1	12/2008	Riker et al.
2008/0176335	A1	7/2008	Alberti et al.	2008/0298945	A1	12/2008	Cox
2008/0176375	A1	7/2008	Erben et al.	2008/0299326	A1	12/2008	Fukazawa
2008/0176412	A1	7/2008	Komeda	2008/0299758	A1	12/2008	Harada et al.
2008/0178608	A1	7/2008	Tandou et al.	2008/0302303	A1	12/2008	Choi et al.
2008/0178805	A1	7/2008	Paterson et al.	2008/0303744	A1	12/2008	Hirayama et al.
2008/0179104	A1	7/2008	Zhang	2008/0305014	A1	12/2008	Honda
2008/0179291	A1	7/2008	Collins et al.	2008/0305246	A1	12/2008	Choi et al.
2008/0179715	A1	7/2008	Coppa	2008/0305443	A1	12/2008	Nakamura
2008/0182075	A1	7/2008	Chopra	2008/0314319	A1	12/2008	Hamano et al.
2008/0182390	A1	7/2008	Lemmi et al.	2008/0314892	A1	12/2008	Graham
2008/0182411	A1	7/2008	Elers	2008/0315292	A1	12/2008	Ji et al.
2008/0191193	A1	8/2008	Li et al.	2008/0317972	A1	12/2008	Hendriks
2008/0193643	A1	8/2008	Dip	2009/0000550	A1	1/2009	Tran et al.
2008/0194088	A1	8/2008	Srinivasan et al.	2009/0000551	A1	1/2009	Choi et al.
2008/0194105	A1	8/2008	Dominguez et al.	2009/0000769	A1	1/2009	Lin et al.
2008/0194113	A1	8/2008	Kim et al.	2009/0004875	A1	1/2009	Shen et al.
2008/0194169	A1	8/2008	Sterling et al.	2009/0011145	A1	1/2009	Yun
2008/0199977	A1	8/2008	Weigel et al.	2009/0011150	A1	1/2009	Jeon et al.
2008/0202416	A1	8/2008	Provencher	2009/0011608	A1	1/2009	Nabatame
2008/0202689	A1	8/2008	Kim	2009/0014879	A1	1/2009	Park et al.
2008/0203487	A1	8/2008	Hohage et al.	2009/0017227	A1	1/2009	Fu et al.
2008/0205483	A1	8/2008	Rempe et al.	2009/0017631	A1	1/2009	Bencher
2008/0210162	A1	9/2008	Yonebayashi	2009/0017733	A1	1/2009	Takahashi et al.
2008/0210278	A1	9/2008	Orii et al.	2009/0020072	A1	1/2009	Mizunaga et al.
2008/0211423	A1	9/2008	Shinmen et al.	2009/0023229	A1	1/2009	Matsushita
2008/0211526	A1	9/2008	Shinma	2009/0029503	A1	1/2009	Arai
				2009/0029528	A1	1/2009	Sanchez et al.
				2009/0029564	A1	1/2009	Yamashita et al.
				2009/0031954	A1	2/2009	Nishikido et al.
				2009/0033907	A1	2/2009	Watson

(56)

## References Cited

## U.S. PATENT DOCUMENTS

- |              |    |        |                    |              |    |         |                        |
|--------------|----|--------|--------------------|--------------|----|---------|------------------------|
| 2009/0035463 | A1 | 2/2009 | Dip                | 2009/0162647 | A1 | 6/2009  | Sun et al.             |
| 2009/0035584 | A1 | 2/2009 | Tran et al.        | 2009/0162996 | A1 | 6/2009  | Ramaswamy et al.       |
| 2009/0035927 | A1 | 2/2009 | Olsen et al.       | 2009/0163038 | A1 | 6/2009  | Miyoshi                |
| 2009/0035946 | A1 | 2/2009 | Pierreux et al.    | 2009/0165715 | A1 | 7/2009  | Oh                     |
| 2009/0035947 | A1 | 2/2009 | Horii              | 2009/0165721 | A1 | 7/2009  | Pitney et al.          |
| 2009/0036292 | A1 | 2/2009 | Sun et al.         | 2009/0165722 | A1 | 7/2009  | Ha                     |
| 2009/0039475 | A1 | 2/2009 | Shioya             | 2009/0166616 | A1 | 7/2009  | Uchiyama               |
| 2009/0041952 | A1 | 2/2009 | Yoon et al.        | 2009/0176018 | A1 | 7/2009  | Zou et al.             |
| 2009/0041984 | A1 | 2/2009 | Mayers et al.      | 2009/0179365 | A1 | 7/2009  | Lerner et al.          |
| 2009/0042344 | A1 | 2/2009 | Ye et al.          | 2009/0183520 | A1 | 7/2009  | Yukimoto               |
| 2009/0042408 | A1 | 2/2009 | Maeda              | 2009/0186479 | A1 | 7/2009  | Okabe et al.           |
| 2009/0045749 | A1 | 2/2009 | Ganachev et al.    | 2009/0186571 | A1 | 7/2009  | Haro                   |
| 2009/0045829 | A1 | 2/2009 | Awazu              | 2009/0194233 | A1 | 8/2009  | Tamura et al.          |
| 2009/0047426 | A1 | 2/2009 | Park et al.        | 2009/0197015 | A1 | 8/2009  | Kudela et al.          |
| 2009/0047433 | A1 | 2/2009 | Kim et al.         | 2009/0197411 | A1 | 8/2009  | Dussarrat et al.       |
| 2009/0047447 | A1 | 2/2009 | Sawin et al.       | 2009/0200494 | A1 | 8/2009  | Hatem                  |
| 2009/0050621 | A1 | 2/2009 | Awazu              | 2009/0200547 | A1 | 8/2009  | Griffin et al.         |
| 2009/0052498 | A1 | 2/2009 | Halpin et al.      | 2009/0204403 | A1 | 8/2009  | Hollander et al.       |
| 2009/0053023 | A1 | 2/2009 | Wakabayashi        | 2009/0206056 | A1 | 8/2009  | Xu                     |
| 2009/0053900 | A1 | 2/2009 | Nozawa et al.      | 2009/0209081 | A1 | 8/2009  | Matero                 |
| 2009/0053906 | A1 | 2/2009 | Miya et al.        | 2009/0211523 | A1 | 8/2009  | Kuppurao et al.        |
| 2009/0056112 | A1 | 3/2009 | Kobayashi          | 2009/0211525 | A1 | 8/2009  | Sarigiannis et al.     |
| 2009/0056629 | A1 | 3/2009 | Katz et al.        | 2009/0214825 | A1 | 8/2009  | Sun et al.             |
| 2009/0057269 | A1 | 3/2009 | Katz et al.        | 2009/0217871 | A1 | 9/2009  | Kim et al.             |
| 2009/0060480 | A1 | 3/2009 | Herchen            | 2009/0221149 | A1 | 9/2009  | Hammond et al.         |
| 2009/0061083 | A1 | 3/2009 | Chiang et al.      | 2009/0221151 | A1 | 9/2009  | Honda et al.           |
| 2009/0061644 | A1 | 3/2009 | Chiang et al.      | 2009/0223441 | A1 | 9/2009  | Arena et al.           |
| 2009/0061647 | A1 | 3/2009 | Mallick et al.     | 2009/0227094 | A1 | 9/2009  | Bateman                |
| 2009/0075490 | A1 | 3/2009 | Dussarrat          | 2009/0230211 | A1 | 9/2009  | Kobayashi et al.       |
| 2009/0075491 | A1 | 3/2009 | Liu et al.         | 2009/0232985 | A1 | 9/2009  | Dussarrat et al.       |
| 2009/0080136 | A1 | 3/2009 | Nagayama et al.    | 2009/0236014 | A1 | 9/2009  | Wilson                 |
| 2009/0081879 | A1 | 3/2009 | Sukekawa et al.    | 2009/0236276 | A1 | 9/2009  | Kurth et al.           |
| 2009/0084317 | A1 | 4/2009 | Wu                 | 2009/0236315 | A1 | 9/2009  | Willwerth et al.       |
| 2009/0085156 | A1 | 4/2009 | Dewey et al.       | 2009/0239386 | A1 | 9/2009  | Suzaki et al.          |
| 2009/0087585 | A1 | 4/2009 | Lee et al.         | 2009/0242130 | A1 | 10/2009 | Tian et al.            |
| 2009/0087964 | A1 | 4/2009 | Maeda et al.       | 2009/0242957 | A1 | 10/2009 | Ma et al.              |
| 2009/0087967 | A1 | 4/2009 | Todd               | 2009/0246374 | A1 | 10/2009 | Vukovic                |
| 2009/0090382 | A1 | 4/2009 | Morisada           | 2009/0246399 | A1 | 10/2009 | Goundar                |
| 2009/0093080 | A1 | 4/2009 | Choi et al.        | 2009/0246971 | A1 | 10/2009 | Reid et al.            |
| 2009/0093094 | A1 | 4/2009 | Ye et al.          | 2009/0250004 | A1 | 10/2009 | Yamada et al.          |
| 2009/0093100 | A1 | 4/2009 | Xia et al.         | 2009/0250955 | A1 | 10/2009 | Aoki                   |
| 2009/0095221 | A1 | 4/2009 | Tam et al.         | 2009/0255901 | A1 | 10/2009 | Okita                  |
| 2009/0104351 | A1 | 4/2009 | Kakegawa           | 2009/0256127 | A1 | 10/2009 | Feist et al.           |
| 2009/0104594 | A1 | 4/2009 | Webb               | 2009/0261331 | A1 | 10/2009 | Yang et al.            |
| 2009/0104789 | A1 | 4/2009 | Mallick et al.     | 2009/0266296 | A1 | 10/2009 | Tachibana et al.       |
| 2009/0107404 | A1 | 4/2009 | Ogliari et al.     | 2009/0267135 | A1 | 10/2009 | Tanaka et al.          |
| 2009/0108308 | A1 | 4/2009 | Yang et al.        | 2009/0267225 | A1 | 10/2009 | Eguchi                 |
| 2009/0112458 | A1 | 4/2009 | Nakai              | 2009/0269506 | A1 | 10/2009 | Okura et al.           |
| 2009/0115064 | A1 | 5/2009 | Sandhu et al.      | 2009/0269507 | A1 | 10/2009 | Yu et al.              |
| 2009/0116936 | A1 | 5/2009 | Marubayashi et al. | 2009/0269941 | A1 | 10/2009 | Raisanen               |
| 2009/0117717 | A1 | 5/2009 | Tomasini et al.    | 2009/0275205 | A1 | 11/2009 | Kiehlbauch et al.      |
| 2009/0117723 | A1 | 5/2009 | Kim et al.         | 2009/0275210 | A1 | 11/2009 | Shanker et al.         |
| 2009/0117746 | A1 | 5/2009 | Masuda             | 2009/0277510 | A1 | 11/2009 | Shikata                |
| 2009/0120580 | A1 | 5/2009 | Kagoshima et al.   | 2009/0277874 | A1 | 11/2009 | Rui et al.             |
| 2009/0122293 | A1 | 5/2009 | Shibazaki          | 2009/0280248 | A1 | 11/2009 | Goodman et al.         |
| 2009/0122458 | A1 | 5/2009 | Lischer et al.     | 2009/0283041 | A1 | 11/2009 | Tomiyasu et al.        |
| 2009/0124131 | A1 | 5/2009 | Breunsbach et al.  | 2009/0283217 | A1 | 11/2009 | Lubomirsky et al.      |
| 2009/0130331 | A1 | 5/2009 | Asai               | 2009/0284156 | A1 | 11/2009 | Banna et al.           |
| 2009/0130859 | A1 | 5/2009 | Itatani et al.     | 2009/0286400 | A1 | 11/2009 | Heo et al.             |
| 2009/0136665 | A1 | 5/2009 | Choi et al.        | 2009/0286402 | A1 | 11/2009 | Xia et al.             |
| 2009/0136668 | A1 | 5/2009 | Gregg et al.       | 2009/0286405 | A1 | 11/2009 | Okesaku et al.         |
| 2009/0136683 | A1 | 5/2009 | Fukasawa et al.    | 2009/0289300 | A1 | 11/2009 | Sasaki et al.          |
| 2009/0137055 | A1 | 5/2009 | Bognar             | 2009/0291208 | A1 | 11/2009 | Gordon et al.          |
| 2009/0139657 | A1 | 6/2009 | Lee et al.         | 2009/0291566 | A1 | 11/2009 | Ueno et al.            |
| 2009/0142905 | A1 | 6/2009 | Yamazaki           | 2009/0297696 | A1 | 12/2009 | Pore et al.            |
| 2009/0142933 | A1 | 6/2009 | Yajima et al.      | 2009/0297710 | A1 | 12/2009 | Lindfors               |
| 2009/0142935 | A1 | 6/2009 | Fukazawa et al.    | 2009/0297731 | A1 | 12/2009 | Goundar                |
| 2009/0146322 | A1 | 6/2009 | Weling et al.      | 2009/0298257 | A1 | 12/2009 | Lee et al.             |
| 2009/0147819 | A1 | 6/2009 | Goodman et al.     | 2009/0302002 | A1 | 12/2009 | Collins et al.         |
| 2009/0155488 | A1 | 6/2009 | Nakano et al.      | 2009/0302434 | A1 | 12/2009 | Pallem et al.          |
| 2009/0156015 | A1 | 6/2009 | Park et al.        | 2009/0304558 | A1 | 12/2009 | Patton                 |
| 2009/0156017 | A1 | 6/2009 | Fukazawa et al.    | 2009/0308315 | A1 | 12/2009 | de Ridder              |
| 2009/0159000 | A1 | 6/2009 | Aggarwal et al.    | 2009/0308425 | A1 | 12/2009 | Yednak                 |
| 2009/0159002 | A1 | 6/2009 | Bera et al.        | 2009/0311857 | A1 | 12/2009 | Todd et al.            |
| 2009/0159424 | A1 | 6/2009 | Liu et al.         | 2009/0314208 | A1 | 12/2009 | Zhou et al.            |
|              |    |        |                    | 2009/0314309 | A1 | 12/2009 | Sankarakrishnan et al. |
|              |    |        |                    | 2009/0315093 | A1 | 12/2009 | Li et al.              |
|              |    |        |                    | 2009/0317214 | A1 | 12/2009 | Hsiao et al.           |
|              |    |        |                    | 2009/0320754 | A1 | 12/2009 | Oya                    |





(56)

### References Cited

#### U.S. PATENT DOCUMENTS

<p>2010/0267248 A1 10/2010 Ma                  2010/0270675 A1 10/2010 Harada                  2010/0246630 A1 11/2010 Kaszynski et al.                  2010/0275846 A1 11/2010 Kitagawa                  2010/0279008 A1 11/2010 Takagi                  2010/0279512 A1 11/2010 Udea et al.                  2010/0282163 A1 11/2010 Aggarwal et al.                  2010/0282170 A1 11/2010 Nishizawa                  2010/0282645 A1 11/2010 Wang                  2010/0285237 A1 11/2010 Ditizio et al.                  2010/0285319 A1 11/2010 Kwak et al.                  2010/0294199 A1 11/2010 Tran et al.                  2010/0297391 A1 11/2010 Kley                  2010/0301752 A1 12/2010 Bakre et al.                  2010/0304047 A1 12/2010 Yang et al.                  2010/0307415 A1 12/2010 Shero et al.                  2010/0317177 A1 12/2010 Huang et al.                  2010/0317198 A1 12/2010 Antonelli                  2010/0322604 A1 12/2010 Fondurulia et al.                  2010/0322822 A1 12/2010 Fritchie et al.                  2010/0326358 A1 12/2010 Choi                  2011/0000619 A1 1/2011 Suh                  2011/0003087 A1 1/2011 Soininen et al.                  2011/0003450 A1 1/2011 Lee et al.                  2011/0005684 A1 1/2011 Hayami et al.                  2011/0006402 A1 1/2011 Zhou                  2011/0006406 A1 1/2011 Urbanowicz et al.                  2011/0008950 A1 1/2011 Xu                  2011/0014359 A1 1/2011 Hashim                  2011/0014795 A1 1/2011 Lee                  2011/0017139 A1 1/2011 Chiang et al.                  2011/0021033 A1 1/2011 Ikeuchi et al.                  2011/0027725 A1 2/2011 Tsutsumi et al.                  2011/0027999 A1 2/2011 Sparks et al.                  2011/0031562 A1 2/2011 Lin et al.                  2011/0034039 A1 2/2011 Liang et al.                  2011/0039419 A1 2/2011 Date et al.                  2011/0041764 A1 2/2011 Webb et al.                  2011/0042200 A1 2/2011 Wilby                  2011/0045610 A1 2/2011 van Schravendijk et al.                  2011/0045676 A1 2/2011 Park et al.                  2011/0046314 A1 2/2011 Klipp et al.                  2011/0048642 A1 3/2011 Mihara et al.                  2011/0048769 A1 3/2011 Fujiwara                  2011/0049100 A1 3/2011 Han et al.                  2011/0052833 A1 3/2011 Hanawa et al.                  2011/0053383 A1 3/2011 Shero et al.                  2011/0056513 A1 3/2011 Hornbach et al.                  2011/0056626 A1 3/2011 Brown et al.                  2011/0057248 A1 3/2011 Ma et al.                  2011/0061810 A1 3/2011 Ganguly et al.                  2011/0065289 A1 3/2011 Asai                  2011/0067522 A1 3/2011 Lai                  2011/0070380 A1 3/2011 Shero et al.                  2011/0070740 A1 3/2011 Bettencourt et al.                  2011/0076401 A1 3/2011 Chao et al.                  2011/0081519 A1 4/2011 Dillingh                  2011/0083496 A1 4/2011 Lin et al.                  2011/0086516 A1 4/2011 Lee et al.                  2011/0089166 A1 4/2011 Hunter et al.                  2011/0089419 A1 4/2011 Yamazaki et al.                  2011/0089469 A1 4/2011 Merckling                  2011/0091650 A1 4/2011 Noguchi et al.                  2011/0092077 A1 4/2011 Xu et al.                  2011/0097901 A1 4/2011 Banna et al.                  2011/0098841 A1 4/2011 Tsuda                  2011/0100489 A1 5/2011 Orito et al.                  2011/0104395 A1 5/2011 Kumagai et al.                  2011/0107512 A1 5/2011 Gilbert                  2011/0108194 A1 5/2011 Yoshioka et al.                  2011/0108424 A1 5/2011 Puget et al.                  2011/0108741 A1 5/2011 Ingram                  2011/0108929 A1 5/2011 Meng                  2011/0114261 A1 5/2011 Matsumoto et al.                  2011/0114601 A1 5/2011 Lubomirsky et al.</p>	<p>2011/0115378 A1 5/2011 Lubomirsky et al.                  2011/0117490 A1 5/2011 Bae et al.                  2011/0117492 A1 5/2011 Yamada et al.                  2011/0117728 A1 5/2011 Su et al.                  2011/0117732 A1 5/2011 Bauer et al.                  2011/0117737 A1 5/2011 Agarwala et al.                  2011/0117749 A1 5/2011 Sheu                  2011/0121503 A1 5/2011 Burrows et al.                  2011/0121736 A1 5/2011 Hirayama et al.                  2011/0124196 A1 5/2011 Lee                  2011/0127702 A1 6/2011 Gautam et al.                  2011/0132542 A1 6/2011 Ilzuka                  2011/0135842 A1 6/2011 Faguet et al.                  2011/0139272 A1 6/2011 Matsumoto et al.                  2011/0139748 A1 6/2011 Donnelly et al.                  2011/0140172 A1 6/2011 Chu                  2011/0140173 A1 6/2011 Ramdani                  2011/0143032 A1 6/2011 Vrtis et al.                  2011/0143461 A1 6/2011 Fish et al.                  2011/0155264 A1 6/2011 Minami et al.                  2011/0155322 A1 6/2011 Himori et al.                  2011/0159200 A1 6/2011 Kogure                  2011/0159202 A1 6/2011 Matsushita                  2011/0159673 A1 6/2011 Hanawa et al.                  2011/0159680 A1 6/2011 Yoo                  2011/0168330 A1 7/2011 Sakaue et al.                  2011/0171380 A1 7/2011 Higashi et al.                  2011/0171775 A1 7/2011 Yamamoto et al.                  2011/0175011 A1 7/2011 Ehrne et al.                  2011/0177648 A1 7/2011 Tanner et al.                  2011/0180233 A1 7/2011 Bera et al.                  2011/0183079 A1 7/2011 Jackson et al.                  2011/0183269 A1 7/2011 Zhu                  2011/0183527 A1 7/2011 Cho                  2011/0185969 A1 8/2011 Yang                  2011/0186984 A1 8/2011 Saito et al.                  2011/0192820 A1 8/2011 Yeom et al.                  2011/0195574 A1 8/2011 Blasco et al.                  2011/0198034 A1 8/2011 Sun et al.                  2011/0198417 A1 8/2011 Detmar et al.                  2011/0198736 A1 8/2011 Shero et al.                  2011/0204025 A1 8/2011 Tahara                  2011/0207332 A1 8/2011 Liu et al.                  2011/0210468 A1 9/2011 Shannon et al.                  2011/0212625 A1 9/2011 Toyoda et al.                  2011/0217838 A1 9/2011 Hsieh et al.                  2011/0220874 A1 9/2011 Hanrath                  2011/0223334 A1 9/2011 Yudovsky et al.                  2011/0226421 A1 9/2011 Hayashi                  2011/0232678 A1 9/2011 Shih et al.                  2011/0236201 A1 9/2011 Shende                  2011/0236594 A1 9/2011 Haverkamp et al.                  2011/0236600 A1 9/2011 Fox et al.                  2011/0237040 A1 9/2011 Ng et al.                  2011/0237082 A1 9/2011 Nakajima et al.                  2011/0239936 A1 10/2011 Suzaki et al.                  2011/0239940 A1 10/2011 Benvenuti et al.                  2011/0244673 A1 10/2011 Cho et al.                  2011/0253044 A1 10/2011 Tam et al.                  2011/0254052 A1 10/2011 Kouvetakis                  2011/0256675 A1 10/2011 Avouris                  2011/0256692 A1 10/2011 Tam et al.                  2011/0256724 A1 10/2011 Chandrasekharan et al.                  2011/0256726 A1 10/2011 Lavoie et al.                  2011/0256727 A1 10/2011 Beynet et al.                  2011/0256734 A1 10/2011 Hausmann et al.                  2011/0259519 A1 10/2011 Kenworthy et al.                  2011/0262642 A1 10/2011 Xiao et al.                  2011/0263107 A1 10/2011 Chung et al.                  2011/0263115 A1 10/2011 Ganguli et al.                  2011/0264250 A1 10/2011 Nishimura et al.                  2011/0265549 A1 11/2011 Cruse et al.                  2011/0265715 A1 11/2011 Keller                  2011/0265725 A1 11/2011 Tsuji                  2011/0265951 A1 11/2011 Xu et al.                  2011/0266611 A1 11/2011 Kim et al.                  2011/0269314 A1 11/2011 Lee et al.                  2011/0275018 A1 11/2011 Matteo et al.                  2011/0275166 A1 11/2011 Shero et al.</p>
---	---



(56)

## References Cited

## U.S. PATENT DOCUMENTS

2012/0264305	A1	10/2012	Nakano	2013/0064973	A1	3/2013	Chen et al.
2012/0267048	A1	10/2012	Moyama et al.	2013/0065189	A1	3/2013	Yoshii et al.
2012/0269962	A1	10/2012	Blomberg et al.	2013/0068391	A1	3/2013	Mazzocco et al.
2012/0269967	A1	10/2012	Yudovsky et al.	2013/0068727	A1	3/2013	Okita
2012/0270339	A1	10/2012	Xie et al.	2013/0068970	A1	3/2013	Matsushita
2012/0270384	A1	10/2012	Sanchez et al.	2013/0069052	A1	3/2013	Sandhu
2012/0270393	A1	10/2012	Pore et al.	2013/0070456	A1	3/2013	Jang et al.
2012/0270407	A1	10/2012	Werner et al.	2013/0075746	A1	3/2013	Mallikarjunaswamy et al.
2012/0273052	A1	11/2012	Ye et al.	2013/0075788	A1	3/2013	Tomabeche
2012/0273162	A1	11/2012	Mahadeswaraswamy	2013/0078376	A1	3/2013	Higashino et al.
2012/0276306	A1	11/2012	Ueda	2013/0078392	A1	3/2013	Xiao et al.
2012/0288625	A1	11/2012	Furuya et al.	2013/0081702	A1	4/2013	Mohammed et al.
2012/0289053	A1	11/2012	Holland et al.	2013/0082274	A1	4/2013	Yang
2012/0289056	A1	11/2012	Bergman et al.	2013/0084156	A1	4/2013	Shimamoto
2012/0289057	A1	11/2012	DeDontney	2013/0084408	A1	4/2013	Nakao et al.
2012/0295427	A1	11/2012	Bauer	2013/0084711	A1	4/2013	Liang et al.
2012/0295449	A1	11/2012	Fukazawa	2013/0084714	A1	4/2013	Oka et al.
2012/0302055	A1	11/2012	Pore et al.	2013/0085618	A1	4/2013	Ding
2012/0303313	A1	11/2012	Moroi et al.	2013/0089667	A1	4/2013	Lai et al.
2012/0304935	A1	12/2012	Oosterlaken et al.	2013/0089716	A1	4/2013	Krishnamurthy et al.
2012/0305026	A1	12/2012	Nomura et al.	2013/0089988	A1	4/2013	Wang et al.
2012/0305196	A1	12/2012	Mori et al.	2013/0092085	A1	4/2013	Lee
2012/0305987	A1	12/2012	Hirler et al.	2013/0093048	A1	4/2013	Chang et al.
2012/0307588	A1	12/2012	Hanada et al.	2013/0093321	A1	4/2013	Yoshikawa et al.
2012/0309181	A1	12/2012	Machkaoutsan et al.	2013/0095664	A1	4/2013	Matero et al.
2012/0310440	A1	12/2012	Darabnia et al.	2013/0095973	A1	4/2013	Kroneberger et al.
2012/0315113	A1	12/2012	Hiroki	2013/0099318	A1	4/2013	Adam et al.
2012/0315404	A1	12/2012	Li et al.	2013/0104988	A1	5/2013	Yednak et al.
2012/0318334	A1	12/2012	Bedell et al.	2013/0104992	A1	5/2013	Yednak et al.
2012/0318457	A1	12/2012	Nguyen et al.	2013/0107415	A1	5/2013	Banna et al.
2012/0318773	A1	12/2012	Wu et al.	2013/0109172	A1	5/2013	Collins et al.
2012/0319279	A1	12/2012	Isobayashi	2013/0109192	A1	5/2013	Hawkins et al.
2012/0320491	A1	12/2012	Doh et al.	2013/0112251	A1	5/2013	Hang et al.
2012/0321786	A1	12/2012	Satitpunwaycha et al.	2013/0113085	A1	5/2013	Michaelson et al.
2012/0322252	A1	12/2012	Son et al.	2013/0115383	A1	5/2013	Lu et al.
2012/0325148	A1	12/2012	Yamagishi et al.	2013/0115763	A1	5/2013	Takamura et al.
2012/0328780	A1	12/2012	Yamagishi et al.	2013/0115768	A1	5/2013	Pore et al.
2012/0329208	A1	12/2012	Pore et al.	2013/0118405	A1	5/2013	Ho et al.
2013/0002121	A1	1/2013	Ma	2013/0118895	A1	5/2013	Roozeboom et al.
2013/0005122	A1	1/2013	Schwarzenbach et al.	2013/0119018	A1	5/2013	Kanarik et al.
2013/0005147	A1	1/2013	Angyal et al.	2013/0122712	A1	5/2013	Kim et al.
2013/0008607	A1	1/2013	Matsumoto et al.	2013/0122722	A1	5/2013	Cissell et al.
2013/0011630	A1	1/2013	Sullivan et al.	2013/0126515	A1	5/2013	Shero et al.
2013/0011983	A1	1/2013	Tsai	2013/0129577	A1	5/2013	Halpin et al.
2013/0011984	A1	1/2013	Wang et al.	2013/0130490	A1	5/2013	Lee et al.
2013/0012003	A1	1/2013	Haukka et al.	2013/0134148	A1	5/2013	Tachikawa
2013/0012034	A1	1/2013	Ahn et al.	2013/0137279	A1	5/2013	Yamamoto et al.
2013/0014697	A1	1/2013	Kanayama	2013/0143401	A1	6/2013	Yu et al.
2013/0014896	A1	1/2013	Shoji et al.	2013/0143415	A1	6/2013	Yudovsky et al.
2013/0017503	A1	1/2013	De Ridder et al.	2013/0145587	A1	6/2013	Adhiprakasha
2013/0019944	A1	1/2013	Hekmatshoar-Tabai et al.	2013/0145984	A1	6/2013	Zhang et al.
2013/0019945	A1	1/2013	Hekmatshoar-Tabai et al.	2013/0147050	A1	6/2013	Bonner, III et al.
2013/0019960	A1	1/2013	Choi et al.	2013/0149874	A1	6/2013	Hirose et al.
2013/0020246	A1	1/2013	Hoots et al.	2013/0152933	A1	6/2013	Lischer et al.
2013/0023120	A1	1/2013	Yaehashi et al.	2013/0157409	A1	6/2013	Vaidya
2013/0023124	A1	1/2013	Nemani et al.	2013/0157521	A1	6/2013	Aldrich et al.
2013/0023129	A1	1/2013	Reed	2013/0160709	A1	6/2013	White et al.
2013/0025538	A1	1/2013	Collins et al.	2013/0161629	A1	6/2013	Han et al.
2013/0025786	A1	1/2013	Davidkovich et al.	2013/0162142	A1	6/2013	Nishino et al.
2013/0026451	A1	1/2013	Bangsaruntip et al.	2013/0164458	A1	6/2013	Soininen et al.
2013/0032085	A1	2/2013	Hanawa et al.	2013/0168353	A1	7/2013	Okita et al.
2013/0037532	A1	2/2013	Volfovski et al.	2013/0168354	A1	7/2013	Kanarik
2013/0037858	A1	2/2013	Hong et al.	2013/0171818	A1	7/2013	Kim et al.
2013/0037886	A1	2/2013	Tsai et al.	2013/0175596	A1	7/2013	Cheng et al.
2013/0040447	A1	2/2013	Swaminathan et al.	2013/0177706	A1	7/2013	Baluja et al.
2013/0040481	A1	2/2013	Vallely et al.	2013/0180448	A1	7/2013	Sakaue et al.
2013/0042811	A1	2/2013	Shanker et al.	2013/0183814	A1	7/2013	Huang et al.
2013/0048606	A1	2/2013	Mao et al.	2013/0186340	A1	7/2013	Omori et al.
2013/0052585	A1	2/2013	Ayothi et al.	2013/0189635	A1	7/2013	Lim et al.
2013/0052836	A1	2/2013	Hirose et al.	2013/0189854	A1	7/2013	Hausmann et al.
2013/0059078	A1	3/2013	Gatineau et al.	2013/0196502	A1	8/2013	Haukka et al.
2013/0059415	A1	3/2013	Kato et al.	2013/0196507	A1	8/2013	Ma et al.
2013/0061755	A1	3/2013	Frederick	2013/0200518	A1	8/2013	Ahmed et al.
2013/0062753	A1	3/2013	Nguyen et al.	2013/0202387	A1	8/2013	Hiroki
2013/0062839	A1	3/2013	Tschinderle et al.	2013/0203258	A1	8/2013	Chen et al.
				2013/0203266	A1	8/2013	Hintze
				2013/0203267	A1	8/2013	Pomarede et al.
				2013/0206066	A1	8/2013	Han et al.
				2013/0209940	A1	8/2013	Sakamoto et al.



(56)

## References Cited

## U.S. PATENT DOCUMENTS

2014/0179091 A1	6/2014	Clark	2014/0349068 A1	11/2014	Inglis et al.
2014/0179092 A1	6/2014	Kim	2014/0357090 A1	12/2014	Knaepen et al.
2014/0182053 A1	7/2014	Huang	2014/0360430 A1	12/2014	Armour et al.
2014/0182689 A1	7/2014	Shareef et al.	2014/0363980 A1	12/2014	Kawamata et al.
2014/0187022 A1	7/2014	Falster et al.	2014/0363983 A1	12/2014	Nakano et al.
2014/0187045 A1	7/2014	Hua et al.	2014/0363985 A1	12/2014	Jang et al.
2014/0190581 A1	7/2014	Nagase et al.	2014/0366804 A1	12/2014	Pak et al.
2014/0191389 A1	7/2014	Lee et al.	2014/0367043 A1	12/2014	Bishara et al.
2014/0193983 A1	7/2014	Lavoie	2014/0367642 A1	12/2014	Guo
2014/0202382 A1	7/2014	Kim et al.	2014/0377960 A1	12/2014	Koiwa
2014/0202386 A1	7/2014	Taga	2015/0004316 A1	1/2015	Thompson et al.
2014/0202388 A1	7/2014	Um et al.	2015/0004317 A1	1/2015	Dussarrat et al.
2014/0209976 A1	7/2014	Yang et al.	2015/0004318 A1	1/2015	Alasaarela et al.
2014/0213061 A1	7/2014	Huang et al.	2015/0004798 A1	1/2015	Chandrasekharan et al.
2014/0217065 A1	8/2014	Winkler et al.	2015/0004806 A1	1/2015	Ndiege et al.
2014/0220247 A1	8/2014	Haukka et al.	2015/0007770 A1	1/2015	Chandrasekharan et al.
2014/0225065 A1	8/2014	Rachmady et al.	2015/0010381 A1	1/2015	Cai
2014/0227072 A1	8/2014	Lee et al.	2015/0011095 A1	1/2015	Chandrasekharan et al.
2014/0227444 A1	8/2014	Winter et al.	2015/0014632 A1	1/2015	Kim et al.
2014/0227861 A1	8/2014	Wu et al.	2015/0014823 A1	1/2015	Mallikarjunan et al.
2014/0227881 A1	8/2014	Lubomirsky et al.	2015/0017794 A1	1/2015	Takamure
2014/0231922 A1	8/2014	Kim et al.	2015/0021599 A1	1/2015	Ridgeway
2014/0234466 A1	8/2014	Gao et al.	2015/0024567 A1	1/2015	Tsai et al.
2014/0234550 A1	8/2014	Winter et al.	2015/0024609 A1	1/2015	Milligan et al.
2014/0234992 A1	8/2014	Kubota et al.	2015/0030766 A1	1/2015	Lind et al.
2014/0238607 A1	8/2014	Nozawa et al.	2015/0030782 A1	1/2015	Ivanov et al.
2014/0238608 A1	8/2014	Sabri et al.	2015/0031218 A1	1/2015	Karakawa
2014/0242298 A1	8/2014	Lansalot-Matras et al.	2015/0041431 A1	2/2015	Zafiropoulo et al.
2014/0242806 A1	8/2014	Knapp et al.	2015/0048485 A1	2/2015	Tolle
2014/0242808 A1	8/2014	Akiyama et al.	2015/0056815 A1	2/2015	Fernandez
2014/0245948 A1	9/2014	Nguyen et al.	2015/0056821 A1	2/2015	Ishikawa et al.
2014/0251788 A1	9/2014	Ge et al.	2015/0061078 A1	3/2015	Abel et al.
2014/0251953 A1	9/2014	Winkler et al.	2015/0064923 A1	3/2015	Matsumoto et al.
2014/0251954 A1	9/2014	Winkler et al.	2015/0069354 A1	3/2015	Helander et al.
2014/0252134 A1	9/2014	Chen	2015/0072509 A1	3/2015	Chi et al.
2014/0252479 A1	9/2014	Utomo et al.	2015/0078874 A1	3/2015	Sansoni
2014/0252710 A1	9/2014	Cuvalci et al.	2015/0079311 A1	3/2015	Nakano
2014/0256160 A1	9/2014	Wada et al.	2015/0086316 A1	3/2015	Greenberg
2014/0260684 A1	9/2014	Christmann	2015/0086716 A1	3/2015	Park et al.
2014/0262028 A1	9/2014	Kelekar	2015/0087139 A1	3/2015	O'Neill et al.
2014/0262034 A1	9/2014	Ishibashi et al.	2015/0087154 A1	3/2015	Guha et al.
2014/0262193 A1	9/2014	Im et al.	2015/0091057 A1	4/2015	Xie et al.
2014/0263172 A1	9/2014	Xie et al.	2015/0091134 A1	4/2015	Amaratunga et al.
2014/0263272 A1	9/2014	Duan et al.	2015/0094470 A1	4/2015	Sanchez et al.
2014/0264297 A1	9/2014	Kumar et al.	2015/0096973 A1	4/2015	Dunn et al.
2014/0264444 A1	9/2014	Guo et al.	2015/0099065 A1	4/2015	Canizares et al.
2014/0264902 A1	9/2014	Ting et al.	2015/0099072 A1	4/2015	Takamure et al.
2014/0265090 A1	9/2014	Hou	2015/0099123 A1	4/2015	Barbee et al.
2014/0265832 A1	9/2014	Kenney et al.	2015/0099342 A1	4/2015	Tsai
2014/0271081 A1	9/2014	Lavitsky et al.	2015/0099374 A1	4/2015	Kakimoto et al.
2014/0272194 A1	9/2014	Xiao et al.	2015/0099375 A1	4/2015	Haripin et al.
2014/0272341 A1	9/2014	Duan et al.	2015/0102466 A1	4/2015	Colinge
2014/0273428 A1	9/2014	Shero	2015/0104574 A1	4/2015	Lee et al.
2014/0273477 A1	9/2014	Niskanen	2015/0104575 A1	4/2015	Takoudis et al.
2014/0273497 A1	9/2014	Payne et al.	2015/0110147 A1	4/2015	Mizuno
2014/0273510 A1	9/2014	Chen et al.	2015/0110968 A1	4/2015	Lavoie et al.
2014/0273528 A1	9/2014	Niskanen	2015/0111374 A1	4/2015	Bao
2014/0273530 A1	9/2014	Nguyen	2015/0111395 A1	4/2015	Hashimoto et al.
2014/0273531 A1	9/2014	Niskanen	2015/0114295 A1	4/2015	Kim et al.
2014/0283747 A1	9/2014	Kasai et al.	2015/0118009 A1	4/2015	Hsieh et al.
2014/0287164 A1	9/2014	Xiao et al.	2015/0118846 A1	4/2015	Isii et al.
2014/0287595 A1	9/2014	Shimamoto et al.	2015/0118863 A1	4/2015	Rathod et al.
2014/0290573 A1	10/2014	Okabe et al.	2015/0122180 A1	5/2015	Chang et al.
2014/0290578 A1	10/2014	Wamura et al.	2015/0125628 A1	5/2015	Kim et al.
2014/0306250 A1	10/2014	Gardner et al.	2015/0126036 A1	5/2015	Zhao
2014/0308108 A1	10/2014	Fosnight et al.	2015/0132212 A1	5/2015	Winkler et al.
2014/0312767 A1	10/2014	Tian et al.	2015/0132953 A1	5/2015	Nowling et al.
2014/0322862 A1	10/2014	Xie et al.	2015/0137315 A1	5/2015	Chen et al.
2014/0322885 A1	10/2014	Xie et al.	2015/0140210 A1	5/2015	Jung et al.
2014/0327117 A1	11/2014	Bencher et al.	2015/0144060 A1	5/2015	Park
2014/0339981 A1	11/2014	Komatsu et al.	2015/0147482 A1	5/2015	Kang et al.
2014/0346142 A1	11/2014	Chapuis et al.	2015/0147483 A1	5/2015	Fukazawa
2014/0346600 A1	11/2014	Cheng et al.	2015/0147488 A1	5/2015	Choi et al.
2014/0346650 A1	11/2014	Raisanen et al.	2015/0147875 A1	5/2015	Takamure et al.
2014/0349033 A1	11/2014	Nonaka et al.	2015/0147877 A1	5/2015	Jung
			2015/0152547 A1	6/2015	Nakamura et al.
			2015/0152553 A1	6/2015	Popp et al.
			2015/0155140 A1	6/2015	Lee et al.
			2015/0155177 A1	6/2015	Zhang et al.

(56)

**References Cited**

U.S. PATENT DOCUMENTS

2015/0155370 A1	6/2015	Tsai et al.	2015/0279665 A1	10/2015	Zafiropoulo
2015/0162168 A1	6/2015	Oehrlien	2015/0279681 A1	10/2015	Knoops
2015/0162185 A1	6/2015	Pore	2015/0279682 A1	10/2015	Nakatani et al.
2015/0162214 A1	6/2015	Thompson	2015/0279708 A1	10/2015	Kobayashi et al.
2015/0167159 A1	6/2015	Halpin et al.	2015/0279956 A1	10/2015	Ozaki et al.
2015/0167161 A1	6/2015	Canizares et al.	2015/0280051 A1	10/2015	Xu
2015/0167162 A1	6/2015	Bank et al.	2015/0284848 A1	10/2015	Nakano et al.
2015/0167165 A1	6/2015	Lindfors	2015/0287591 A1	10/2015	Pore et al.
2015/0167705 A1	6/2015	Lee et al.	2015/0287612 A1	10/2015	Luere et al.
2015/0170907 A1	6/2015	Haukka et al.	2015/0287626 A1	10/2015	Arai
2015/0170914 A1	6/2015	Haukka et al.	2015/0287710 A1	10/2015	Yun et al.
2015/0170945 A1	6/2015	Segawa et al.	2015/0291830 A1	10/2015	Galbreath et al.
2015/0170947 A1	6/2015	Bluck	2015/0292088 A1	10/2015	Canizares
2015/0170954 A1	6/2015	Agarwal	2015/0299848 A1	10/2015	Haukka et al.
2015/0170975 A1	6/2015	Blatchford et al.	2015/0307982 A1	10/2015	Firouzdor et al.
2015/0171177 A1	6/2015	Cheng et al.	2015/0307989 A1	10/2015	Lindfors
2015/0174768 A1	6/2015	Rodnick	2015/0308586 A1	10/2015	Shugrue et al.
2015/0175467 A1	6/2015	Denifl et al.	2015/0311043 A1	10/2015	Sun et al.
2015/0176124 A1	6/2015	Greer et al.	2015/0311151 A1	10/2015	Chi et al.
2015/0176126 A1	6/2015	Ge et al.	2015/0303056 A1	11/2015	Varadarajan et al.
2015/0179415 A1	6/2015	Sasaki et al.	2015/0315704 A1	11/2015	Nakano et al.
2015/0179501 A1	6/2015	Jhaveri et al.	2015/0322569 A1	11/2015	Kilpi et al.
2015/0179564 A1	6/2015	Lee et al.	2015/0325432 A1	11/2015	Ishizaka
2015/0179640 A1	6/2015	Kim et al.	2015/0332921 A1	11/2015	Lee et al.
2015/0184287 A1	7/2015	Tsung et al.	2015/0340247 A1	11/2015	Balakrishnan et al.
2015/0184291 A1	7/2015	Alokozai et al.	2015/0340266 A1	11/2015	Ngo et al.
2015/0187559 A1	7/2015	Sano	2015/0340500 A1	11/2015	Brunco
2015/0187568 A1	7/2015	Pettinger et al.	2015/0340609 A1	11/2015	Banno et al.
2015/0187611 A1	7/2015	Sato	2015/0343559 A1	12/2015	Morikazu et al.
2015/0187908 A1	7/2015	Zhang et al.	2015/0343741 A1	12/2015	Shibata et al.
2015/0203961 A1	7/2015	Ha et al.	2015/0345018 A1	12/2015	Detavernier et al.
2015/0203967 A1	7/2015	Dhas et al.	2015/0345022 A1	12/2015	Yudovsky et al.
2015/0211124 A1	7/2015	Nozawa et al.	2015/0348755 A1	12/2015	Han et al.
2015/0211125 A1	7/2015	Yoshikawa et al.	2015/0349073 A1	12/2015	Kang
2015/0217330 A1	8/2015	Haukka	2015/0353478 A1	12/2015	Hoshino et al.
2015/0217456 A1	8/2015	Tsuji et al.	2015/0354060 A1	12/2015	Yabe et al.
2015/0218695 A1	8/2015	Odedra	2015/0361550 A1	12/2015	Yabe et al.
2015/0218698 A1	8/2015	Yoon et al.	2015/0361553 A1	12/2015	Murakawa
2015/0218700 A1	8/2015	Nguyen et al.	2015/0364347 A1	12/2015	Nguyen et al.
2015/0221479 A1	8/2015	Chen et al.	2015/0364371 A1	12/2015	Yen
2015/0221480 A1	8/2015	Duan et al.	2015/0364747 A1	12/2015	Elam et al.
2015/0221519 A1	8/2015	Marks et al.	2015/0367253 A1	12/2015	Kanyal et al.
2015/0225850 A1	8/2015	Arora et al.	2015/0368798 A1	12/2015	Kwong
2015/0228513 A1	8/2015	Parkhe et al.	2015/0371864 A1	12/2015	Hsu et al.
2015/0228572 A1	8/2015	Yang et al.	2015/0372056 A1	12/2015	Seong et al.
2015/0228645 A1	8/2015	Chuang et al.	2015/0376211 A1	12/2015	Girard
2015/0228749 A1	8/2015	Ando et al.	2015/0376785 A1	12/2015	Knaapen et al.
2015/0240357 A1	8/2015	Tachibana et al.	2015/0380296 A1	12/2015	Antonelli et al.
2015/0240359 A1	8/2015	Jdira et al.	2016/0002776 A1	1/2016	Nai et al.
2015/0240360 A1	8/2015	Leeser	2016/0002786 A1	1/2016	Gatineau et al.
2015/0241787 A1	8/2015	Yaegashi	2016/0005571 A1	1/2016	Della Rosa et al.
2015/0243522 A1	8/2015	Kitagaito et al.	2016/0005595 A1	1/2016	Liu et al.
2015/0243542 A1	8/2015	Yoshihara et al.	2016/0005596 A1	1/2016	Behera et al.
2015/0243545 A1	8/2015	Tang	2016/0005839 A1	1/2016	Yieh et al.
2015/0243563 A1	8/2015	Lee et al.	2016/0010208 A1	1/2016	Huang et al.
2015/0243658 A1	8/2015	Joshi et al.	2016/0013022 A1	1/2016	Ayoub
2015/0247259 A1	9/2015	Hekmatshoar-Tabari et al.	2016/0013024 A1	1/2016	Milligan et al.
2015/0249013 A1	9/2015	Arghavani et al.	2016/0013086 A1	1/2016	Yang et al.
2015/0255319 A1	9/2015	Kikuchi et al.	2016/0017493 A1	1/2016	Dhas
2015/0255324 A1	9/2015	Li et al.	2016/0020071 A1	1/2016	Khaja et al.
2015/0255385 A1	9/2015	Lee et al.	2016/0020092 A1	1/2016	Kang et al.
2015/0259790 A1	9/2015	Newman	2016/0024655 A1	1/2016	Yudovsky et al.
2015/0259801 A1	9/2015	Matsumoto et al.	2016/0024656 A1	1/2016	White et al.
2015/0262828 A1	9/2015	Brand et al.	2016/0032453 A1	2/2016	Qian et al.
2015/0263033 A1	9/2015	Aoyama	2016/0035542 A1	2/2016	Hausmann
2015/0267294 A1	9/2015	Itatani	2016/0035566 A1	2/2016	LaVoie
2015/0267295 A1	9/2015	Hill et al.	2016/0035596 A1	2/2016	Kamiya
2015/0267297 A1	9/2015	Shiba	2016/0042954 A1	2/2016	Sung et al.
2015/0267298 A1	9/2015	Saitou et al.	2016/0051964 A1	2/2016	Tolle et al.
2015/0267299 A1	9/2015	Hawkins et al.	2016/0056074 A1	2/2016	Na
2015/0267301 A1	9/2015	Hill et al.	2016/0056156 A1	2/2016	Ghani et al.
2015/0270140 A1	9/2015	Gupta et al.	2016/0060752 A1	3/2016	Jacques et al.
2015/0270146 A1	9/2015	Yoshihara et al.	2016/0064208 A1	3/2016	Zafiropoulo et al.
2015/0275355 A1	10/2015	Mallikarjunan et al.	2016/0064231 A1	3/2016	Agarwal et al.
2015/0275357 A1	10/2015	Kamakura et al.	2016/0069613 A1	3/2016	Colgan et al.
			2016/0071750 A1	3/2016	de Ridder et al.
			2016/0076949 A1	3/2016	Sabah et al.
			2016/0079054 A1	3/2016	Chen et al.
			2016/0085003 A1	3/2016	Jaiswal

(56)

## References Cited

## U.S. PATENT DOCUMENTS

2016/0086811 A1	3/2016	Mackedanz et al.	2016/0289828 A1	10/2016	Shero et al.
2016/0087028 A1	3/2016	Hirota et al.	2016/0293398 A1	10/2016	Danek et al.
2016/0097123 A1	4/2016	Shugrue et al.	2016/0293609 A1	10/2016	Jha et al.
2016/0099150 A1	4/2016	Tsai	2016/0305015 A1	10/2016	Nakamura et al.
2016/0099166 A1	4/2016	Yudovsky	2016/0307739 A1	10/2016	Lee et al.
2016/0099250 A1	4/2016	Rabkin et al.	2016/0307740 A1	10/2016	Kim et al.
2016/0102214 A1	4/2016	Dietz et al.	2016/0307766 A1	10/2016	Jongbloed et al.
2016/0111272 A1	4/2016	Girard	2016/0312360 A1	10/2016	Rasheed et al.
2016/0111304 A1	4/2016	Takahashi et al.	2016/0314960 A1	10/2016	Cheng et al.
2016/0111438 A1	4/2016	Tsutsumi et al.	2016/0314962 A1	10/2016	Higashino et al.
2016/0115590 A1	4/2016	Haukka et al.	2016/0314964 A1	10/2016	Tang et al.
2016/0118224 A1	4/2016	Kohno et al.	2016/0314967 A1	10/2016	Tolle
2016/0133307 A1	5/2016	Lee et al.	2016/0315168 A1	10/2016	Dussarrat et al.
2016/0133504 A1	5/2016	Chu et al.	2016/0334709 A1	11/2016	Huli et al.
2016/0133628 A1	5/2016	Xie	2016/0336178 A1	11/2016	Swaminathan et al.
2016/0141172 A1	5/2016	Kang	2016/0336392 A1	11/2016	Tominaga et al.
2016/0145738 A1	5/2016	Liu et al.	2016/0343612 A1	11/2016	Wang et al.
2016/0148800 A1	5/2016	Henri et al.	2016/0345384 A1	11/2016	Zhang et al.
2016/0148801 A1	5/2016	Yabe et al.	2016/0351413 A1	12/2016	Schmidt et al.
2016/0148806 A1	5/2016	Henri et al.	2016/0351747 A1	12/2016	Forrest et al.
2016/0148811 A1	5/2016	Nakatani et al.	2016/0358772 A1	12/2016	Xie
2016/0148821 A1	5/2016	Singh	2016/0362783 A1	12/2016	Tolle et al.
2016/0152649 A1	6/2016	Gordon	2016/0362813 A1	12/2016	Bao et al.
2016/0153088 A1	6/2016	Tsuji et al.	2016/0365280 A1	12/2016	Brink et al.
2016/0155629 A1	6/2016	Hawryluk et al.	2016/0365414 A1	12/2016	Peng et al.
2016/0163556 A1	6/2016	Briggs et al.	2016/0372321 A1	12/2016	Krishnan et al.
2016/0163558 A1	6/2016	Hudson et al.	2016/0372365 A1	12/2016	Tang et al.
2016/0163561 A1	6/2016	Hudson et al.	2016/0372744 A1	12/2016	Essaki et al.
2016/0163711 A1	6/2016	Arndt et al.	2016/0376700 A1	12/2016	Haukka
2016/0163972 A1	6/2016	Swaminathan et al.	2016/0376701 A1	12/2016	Takewaki et al.
2016/0168699 A1	6/2016	Fukazawa et al.	2016/0376704 A1	12/2016	Raisanen
2016/0168704 A1	6/2016	Choi et al.	2016/0379826 A9	12/2016	Arghavani et al.
2016/0169766 A1	6/2016	Ishibashi et al.	2016/0379851 A1	12/2016	Swaminathan et al.
2016/0172189 A1	6/2016	Tapily	2016/0381732 A1	12/2016	Moench et al.
2016/0172296 A1	6/2016	Lim et al.	2017/0009347 A1	1/2017	Jang et al.
2016/0175805 A1	6/2016	Catchpole et al.	2017/0009367 A1	1/2017	Harris et al.
2016/0177448 A1	6/2016	Ikeda	2017/0011889 A1	1/2017	Winkler et al.
2016/0181117 A1	6/2016	Arghavani et al.	2017/0011926 A1	1/2017	Harada et al.
2016/0181128 A1	6/2016	Mori	2017/0011950 A1	1/2017	Schmotzer
2016/0181368 A1	6/2016	Weeks	2017/0018477 A1	1/2017	Kato
2016/0190137 A1	6/2016	Tsai et al.	2017/0018570 A1	1/2017	Lue et al.
2016/0195331 A1	7/2016	Hyon et al.	2017/0022612 A1	1/2017	Lei et al.
2016/0196969 A1	7/2016	Berry et al.	2017/0025280 A1	1/2017	Milligan
2016/0196970 A1	7/2016	Takamure et al.	2017/0025291 A1	1/2017	Lin
2016/0203995 A1	7/2016	Kanarik et al.	2017/0029945 A1	2/2017	Kamakura
2016/0204005 A1	7/2016	Oki et al.	2017/0032942 A1	2/2017	Walfried
2016/0204436 A1	7/2016	Barker et al.	2017/0032943 A1	2/2017	Spaulding et al.
2016/0211135 A1	7/2016	Noda et al.	2017/0032992 A1	2/2017	Hoechbauer
2016/0211147 A1	7/2016	Fukazawa	2017/0033004 A1	2/2017	Siew et al.
2016/0211166 A1	7/2016	Yan et al.	2017/0037513 A1	2/2017	Haukka
2016/0215387 A1	7/2016	Liu et al.	2017/0040146 A1	2/2017	Huang et al.
2016/0217857 A1	7/2016	Paudel	2017/0040164 A1	2/2017	Wang et al.
2016/0218028 A1	7/2016	Schaller et al.	2017/0040198 A1	2/2017	Lin et al.
2016/0222504 A1	8/2016	Haukka et al.	2017/0040206 A1	2/2017	Schmotzer et al.
2016/0222509 A1	8/2016	Honma	2017/0044664 A1	2/2017	Dussarrat et al.
2016/0222516 A1	8/2016	Ikeda et al.	2017/0044665 A1	2/2017	Shon et al.
2016/0225588 A1	8/2016	Shaikh et al.	2017/0044666 A1	2/2017	Jang et al.
2016/0225607 A1	8/2016	Yamamoto et al.	2017/0047446 A1	2/2017	Margetis et al.
2016/0225632 A1	8/2016	Shaikh et al.	2017/0051402 A1	2/2017	Mori
2016/0237559 A1	8/2016	Tsuji	2017/0051405 A1	2/2017	Fukazawa et al.
2016/0245704 A1	8/2016	Osaka et al.	2017/0051406 A1	2/2017	Mori et al.
2016/0256187 A1	9/2016	Shelton et al.	2017/0051408 A1	2/2017	Kosuke et al.
2016/0268102 A1	9/2016	White	2017/0053811 A1	2/2017	Fung et al.
2016/0268107 A1	9/2016	White	2017/0058402 A1	3/2017	Wenxu et al.
2016/0273095 A1	9/2016	Lin et al.	2017/0062204 A1	3/2017	Suzuki et al.
2016/0273101 A1	9/2016	Komori et al.	2017/0062209 A1	3/2017	Shiba
2016/0273106 A1	9/2016	Kanjolia et al.	2017/0062210 A1	3/2017	Visser et al.
2016/0273128 A1	9/2016	Kang	2017/0062218 A1	3/2017	Duan et al.
2016/0276148 A1	9/2016	Qian et al.	2017/0062224 A1	3/2017	Fu et al.
2016/0276212 A1	9/2016	Horikoshi	2017/0062258 A1	3/2017	Bluck
2016/0279629 A1	9/2016	Michishita et al.	2017/0069725 A1	3/2017	Bhimarasetti et al.
2016/0281223 A1	9/2016	Sowa et al.	2017/0091320 A1	3/2017	Psota et al.
2016/0281230 A1	9/2016	Varadarajan et al.	2017/0092469 A1	3/2017	Kurita et al.
2016/0284517 A1	9/2016	Saido	2017/0092531 A1	3/2017	Coomer
2016/0284542 A1	9/2016	Noda et al.	2017/0092535 A1	3/2017	Kimihiko et al.
			2017/0092847 A1	3/2017	Kim et al.
			2017/0100742 A1	4/2017	Pore et al.
			2017/0102612 A1	4/2017	Meyers et al.
			2017/0103907 A1	4/2017	Chu et al.





(56)

**References Cited**

## U.S. PATENT DOCUMENTS

- 2018/0122642 A1 5/2018 Raisanen  
2018/0122709 A1 5/2018 Xie  
2018/0122959 A1 5/2018 Calka et al.  
2018/0126379 A1 5/2018 Ramsey et al.  
2018/0127876 A1 5/2018 Tolle et al.  
2018/0130652 A1 5/2018 Pettinger et al.  
2018/0130701 A1 5/2018 Chun  
2018/0135172 A1 5/2018 Nogami et al.  
2018/0135173 A1 5/2018 Kim et al.  
2018/0135179 A1 5/2018 Toshiyuki et al.  
2018/0138036 A1 5/2018 Baldesseroni et al.  
2018/0142353 A1 5/2018 Tetsuya et al.  
2018/0142357 A1 5/2018 Yoshikazu  
2018/0148832 A1 5/2018 Chatterjee et al.  
2018/0151346 A1 5/2018 Blanquart  
2018/0151358 A1 5/2018 Margetis et al.  
2018/0151588 A1 5/2018 Tsutsumi et al.  
2018/0155832 A1 6/2018 Hamalainen et al.  
2018/0155836 A1 6/2018 Arai et al.  
2018/0158688 A1 6/2018 Chen  
2018/0158716 A1 6/2018 Konkola et al.  
2018/0163305 A1 6/2018 Batzer et al.  
2018/0166258 A1 6/2018 Kim et al.  
2018/0166315 A1 6/2018 Coomer  
2018/0171472 A1 6/2018 Yamada et al.  
2018/0171475 A1 6/2018 Maes et al.  
2018/0171477 A1 6/2018 Kim et al.  
2018/0172172 A1 6/2018 Oehler et al.  
2018/0173109 A1 6/2018 Gronheid et al.  
2018/0174801 A1 6/2018 Chen et al.  
2018/0174826 A1 6/2018 Raaijmakers et al.  
2018/0179625 A1 6/2018 Takagi et al.  
2018/0180509 A1 6/2018 Sawachi et al.  
2018/0182613 A1 6/2018 Blanquart et al.  
2018/0182618 A1 6/2018 Blanquart et al.  
2018/0187303 A1 7/2018 Gatineau et al.  
2018/0189923 A1 7/2018 Zhong et al.  
2018/0190496 A1 7/2018 Ashihara et al.  
2018/0195174 A1 7/2018 Kim et al.  
2018/0204733 A1 7/2018 Sherpa et al.  
2018/0209042 A1 7/2018 Wu et al.  
2018/0211834 A1 7/2018 Takamure et al.  
2018/0223047 A1 8/2018 Xiao et al.  
2018/0223429 A1 8/2018 Fukazawa et al.  
2018/0230595 A1 8/2018 Suda et al.  
2018/0233372 A1 8/2018 Vayrynen et al.  
2018/0245215 A1 8/2018 Lei et al.  
2018/0246101 A1 8/2018 Sasisekharan et al.  
2018/0254211 A1 9/2018 Kosakai et al.  
2018/0258532 A1 9/2018 Kato et al.  
2018/0265294 A1 9/2018 Hayashi  
2018/0265972 A1 9/2018 Firouzdor et al.  
2018/0265973 A1 9/2018 Firouzdor et al.  
2018/0269057 A1 9/2018 Lei et al.  
2018/0274098 A1 9/2018 Takagi et al.  
2018/0277338 A1 9/2018 Fukada et al.  
2018/0277423 A1 9/2018 Lottes  
2018/0286638 A1 10/2018 Susa  
2018/0286663 A1 10/2018 Kobayashi et al.  
2018/0286668 A1 10/2018 Baum et al.  
2018/0286672 A1 10/2018 Van Aerde et al.  
2018/0286675 A1 10/2018 Blomberg et al.  
2018/0286711 A1 10/2018 Oosterlaken et al.  
2018/0294187 A1 10/2018 Thombare et al.  
2018/0305247 A1 10/2018 Feng et al.  
2018/0308686 A1 10/2018 Xie et al.  
2018/0308701 A1 10/2018 Na et al.  
2018/0312966 A1 11/2018 Chan et al.  
2018/0315597 A1 11/2018 Varadarajan et al.  
2018/0315838 A1 11/2018 Morrow et al.  
2018/0323055 A1 11/2018 Woodruff et al.  
2018/0323056 A1 11/2018 Woodruff et al.  
2018/0323059 A1 11/2018 Bhargava et al.  
2018/0325414 A1 11/2018 Marashdeh et al.  
2018/0327892 A1 11/2018 Wu et al.  
2018/0327898 A1 11/2018 Wu et al.  
2018/0327899 A1 11/2018 Wu et al.  
2018/0331117 A1 11/2018 Titus et al.  
2018/0337087 A1 11/2018 Sandhu et al.  
2018/0350587 A1 12/2018 Jia et al.  
2018/0350588 A1 12/2018 Raisanen et al.  
2018/0350620 A1 12/2018 Zaitso et al.  
2018/0350653 A1 12/2018 Jeong et al.  
2018/0355480 A1 12/2018 Kondo  
2018/0355484 A1 12/2018 Lansalot-Matras et al.  
2018/0358222 A1 12/2018 Venkatasubramanian et al.  
2018/0363131 A1 12/2018 Lee et al.  
2018/0363139 A1 12/2018 Rajavelu et al.  
2018/0366314 A1 12/2018 Niskanen et al.  
2018/0371610 A1 12/2018 Banerjee et al.  
2019/0003050 A1 1/2019 Dezelah et al.  
2019/0003052 A1 1/2019 Shero et al.  
2019/0006797 A1 1/2019 Paynter et al.  
2019/0013199 A1 1/2019 Bhargava et al.  
2019/0019670 A1 1/2019 Lin et al.  
2019/0019714 A1 1/2019 Kosakai et al.  
2019/0027573 A1 1/2019 Zhu et al.  
2019/0027583 A1 1/2019 Margetis et al.  
2019/0027584 A1 1/2019 Margetis et al.  
2019/0027605 A1 1/2019 Tolle et al.  
2019/0032209 A1 1/2019 Huggare  
2019/0032998 A1 1/2019 Jdira et al.  
2019/0035605 A1 1/2019 Suzuki  
2019/0035647 A1 1/2019 Lee et al.  
2019/0035698 A1 1/2019 Tanaka  
2019/0035810 A1 1/2019 Chun et al.  
2019/0040529 A1 2/2019 Verbaas et al.  
2019/0046947 A1 2/2019 Strohm et al.  
2019/0051544 A1 2/2019 Verbaas  
2019/0051548 A1 2/2019 den Hartog Besselink et al.  
2019/0051555 A1 2/2019 Hill et al.  
2019/0057857 A1 2/2019 Ishikawa et al.  
2019/0057858 A1 2/2019 Hausmann et al.  
2019/0058043 A1 2/2019 Dewey et al.  
2019/0062907 A1 2/2019 Kim et al.  
2019/0062917 A1 2/2019 Sung et al.  
2019/0066978 A1 2/2019 Um et al.  
2019/0066997 A1 2/2019 Klaver et al.  
2019/0067003 A1 2/2019 Zope et al.  
2019/0067004 A1 2/2019 Kohen et al.  
2019/0067014 A1 2/2019 Shrestha et al.  
2019/0067016 A1 2/2019 Zhu et al.  
2019/0067085 A1 2/2019 Kweskin  
2019/0067094 A1 2/2019 Zope et al.  
2019/0067095 A1 2/2019 Zhu et al.  
2019/0078206 A1 3/2019 Wu et al.  
2019/0080903 A1 3/2019 Abel et al.  
2019/0081072 A1 3/2019 Chun et al.  
2019/0085451 A1 3/2019 Lei et al.  
2019/0086807 A1 3/2019 Kachel et al.  
2019/0088555 A1 3/2019 Xie et al.  
2019/0089143 A1 3/2019 Malone et al.  
2019/0093221 A1 3/2019 Jdira et al.  
2019/0096708 A1 3/2019 Sharma  
2019/0106788 A1 4/2019 Hawkins et al.  
2019/0109002 A1 4/2019 Mattinen et al.  
2019/0109009 A1 4/2019 Longrie et al.  
2019/0109043 A1 4/2019 Wang et al.  
2019/0112711 A1 4/2019 Lyons et al.  
2019/0115206 A1 4/2019 Kim et al.  
2019/0115237 A1 4/2019 den Hartog Besselink et al.  
2019/0115451 A1 4/2019 Lee et al.  
2019/0131124 A1 5/2019 Kohen et al.  
2019/0140067 A1 5/2019 Zhu et al.  
2019/0148177 A1 5/2019 Yin et al.  
2019/0148224 A1 5/2019 Kuroda et al.  
2019/0148398 A1 5/2019 Kim et al.  
2019/0148556 A1 5/2019 Wang et al.  
2019/0153593 A1 5/2019 Zhu et al.  
2019/0157054 A1 5/2019 White et al.  
2019/0157067 A1 5/2019 Bhuyan et al.  
2019/0163056 A1 5/2019 Maes et al.  
2019/0164763 A1 5/2019 Raisanen et al.  
2019/0172701 A1 6/2019 Jia et al.

(56)

**References Cited**

## U.S. PATENT DOCUMENTS

2019/0172714 A1	6/2019	Bobek et al.	2020/0013629 A1	1/2020	de Roest et al.
2019/0176435 A1	6/2019	Bellman et al.	2020/0018421 A1	1/2020	Shugrue
2019/0181002 A1	6/2019	Iijima et al.	2020/0035489 A1	1/2020	Huang et al.
2019/0185999 A1	6/2019	Shanbhag et al.	2020/0040458 A1	2/2020	Ma et al.
2019/0189447 A1	6/2019	Kamp et al.	2020/0048768 A1	2/2020	Wiegers et al.
2019/0198297 A1	6/2019	Aramaki et al.	2020/0052056 A1	2/2020	Park et al.
2019/0198359 A1	6/2019	Kamimura et al.	2020/0052089 A1	2/2020	Yu et al.
2019/0198571 A1	6/2019	Xu et al.	2020/0056282 A1	2/2020	Raisanen et al.
2019/0204029 A1	7/2019	Tanabe	2020/0056286 A1	2/2020	Shero et al.
2019/0211450 A1	7/2019	Adachi et al.	2020/0058469 A1	2/2020	Ranjan et al.
2019/0217277 A1	7/2019	Jeon et al.	2020/0063262 A1	2/2020	Katou et al.
2019/0221433 A1	7/2019	Raisanen et al.	2020/0064737 A1	2/2020	de Roest
2019/0229008 A1	7/2019	Rokkam et al.	2020/0066512 A1	2/2020	Tois et al.
2019/0233446 A1	8/2019	MacDonald et al.	2020/0066552 A1	2/2020	Susa
2019/0233940 A1	8/2019	Guo et al.	2020/0080200 A1	3/2020	Um et al.
2019/0237325 A1	8/2019	Wang et al.	2020/0083054 A1	3/2020	Väyrynen et al.
2019/0237327 A1	8/2019	Kohen et al.	2020/0083375 A1	3/2020	Tolle et al.
2019/0244803 A1	8/2019	Suzuki	2020/0083469 A1	3/2020	Lhullier
2019/0249300 A1	8/2019	Hatanpaa et al.	2020/0102649 A1	4/2020	Reed
2019/0249303 A1	8/2019	Kuroda et al.	2020/0102653 A1	4/2020	Muralidhar et al.
2019/0252195 A1	8/2019	Haukka	2020/0105579 A1	4/2020	Zhu
2019/0252196 A1	8/2019	Vayrynen et al.	2020/0105594 A1	4/2020	Cheng et al.
2019/0259611 A1	8/2019	Nakano et al.	2020/0105895 A1	4/2020	Tang et al.
2019/0259612 A1	8/2019	Nozawa et al.	2020/0109472 A1	4/2020	Um et al.
2019/0264324 A1	8/2019	Shugrue et al.	2020/0111669 A1	4/2020	Zaitsu et al.
2019/0271078 A1	9/2019	Raisanen et al.	2020/0111690 A1	4/2020	Oosterlaken
2019/0272981 A1	9/2019	Xu et al.	2020/0118811 A1	4/2020	Utsuno et al.
2019/0272993 A1	9/2019	Mattinen et al.	2020/0118815 A1	4/2020	Fukazawa et al.
2019/0273133 A1	9/2019	Agrawal et al.	2020/0118817 A1	4/2020	Blomberg et al.
2019/0276934 A1	9/2019	Vergheze et al.	2020/0119038 A1	4/2020	Hopkins et al.
2019/0287769 A1	9/2019	Blomberg et al.	2020/0126771 A1	4/2020	Roh et al.
2019/0295837 A1	9/2019	Pore et al.	2020/0126840 A1	4/2020	Roh et al.
2019/0301014 A1	10/2019	Pierreux et al.	2020/0131634 A1	4/2020	Gao et al.
2019/0304776 A1	10/2019	Choi	2020/0135512 A1	4/2020	Oosterlaken et al.
2019/0304780 A1	10/2019	Kohen et al.	2020/0135915 A1	4/2020	Savant et al.
2019/0304790 A1	10/2019	Mousa et al.	2020/0140995 A1	5/2020	Blanquart et al.
2019/0304821 A1	10/2019	Pierreux et al.	2020/0141003 A1	5/2020	Lee et al.
2019/0311894 A1	10/2019	Girard et al.	2020/0144058 A1	5/2020	Kohen
2019/0311897 A1	10/2019	Kang et al.	2020/0152473 A1	5/2020	Tapily et al.
2019/0311940 A1	10/2019	Choi et al.	2020/0152750 A1	5/2020	Morrow et al.
2019/0318910 A1	10/2019	Mori	2020/0161129 A1	5/2020	Mattinen et al.
2019/0318923 A1	10/2019	Blanquart et al.	2020/0161438 A1	5/2020	Tang et al.
2019/0319100 A1	10/2019	Chen et al.	2020/0168485 A1	5/2020	Fluit
2019/0322812 A1	10/2019	Wojtecki et al.	2020/0279758 A1	5/2020	Sharma
2019/0330740 A1	10/2019	Klaver	2020/0173020 A1	6/2020	Huggare
2019/0333753 A1	10/2019	Ueda et al.	2020/0176244 A1	6/2020	Lee et al.
2019/0333761 A1	10/2019	Tois et al.	2020/0176246 A1	6/2020	Huotari et al.
2019/0338418 A1	11/2019	Goradia et al.	2020/0181770 A1	6/2020	Longrie et al.
2019/0346300 A1	11/2019	Kim et al.	2020/0185249 A1	6/2020	Rice et al.
2019/0348261 A1	11/2019	Lin et al.	2020/0185257 A1	6/2020	Nishiwaki
2019/0348273 A1	11/2019	Tang et al.	2020/0194253 A1	6/2020	Banerjee et al.
2019/0348515 A1	11/2019	Li et al.	2020/0194268 A1	6/2020	Sharma
2019/0362970 A1	11/2019	Wang et al.	2020/0203157 A1	6/2020	Su
2019/0362989 A1	11/2019	Reuter et al.	2020/0224309 A1	7/2020	Sreeram et al.
2019/0363006 A1	11/2019	Min	2020/0224311 A1	7/2020	Niskanen et al.
2019/0363015 A1	11/2019	Cheng et al.	2020/0227243 A1	7/2020	Kim et al.
2019/0368040 A1	12/2019	Kachel et al.	2020/0227250 A1	7/2020	Pore et al.
2019/0368041 A1	12/2019	Sreeram et al.	2020/0227325 A1	7/2020	Xie et al.
2019/0371594 A1	12/2019	Niskanen et al.	2020/0232096 A1	7/2020	Hatanpää et al.
2019/0371640 A1	12/2019	Raisanen et al.	2020/0234989 A1	7/2020	Jeong
2019/0375638 A1	12/2019	Haukka	2020/0251328 A1	8/2020	Zaitsu et al.
2019/0376180 A1	12/2019	Niskanen	2020/0258766 A1	8/2020	Garssen et al.
2019/0378711 A1	12/2019	Suzuki et al.	2020/0266057 A1	8/2020	Lee et al.
2019/0378916 A1	12/2019	Tang et al.	2020/0266097 A1	8/2020	Liu et al.
2019/0385907 A1	12/2019	Gottheim et al.	2020/0266098 A1	8/2020	Pore et al.
2019/0390338 A1	12/2019	Raisanen et al.	2020/0266208 A1	8/2020	Kim et al.
2019/0390343 A1	12/2019	Min et al.	2020/0270749 A1	8/2020	Li et al.
2019/0393304 A1	12/2019	Guillorn et al.	2020/0270752 A1	8/2020	Pierreux et al.
2019/0393308 A1	12/2019	Lo et al.	2020/0273728 A1	8/2020	Benjaminson et al.
2020/0002811 A1	1/2020	Sreeram et al.	2020/0273729 A1	8/2020	Verbaas et al.
2020/0002812 A1	1/2020	Lee et al.	2020/0279721 A1	9/2020	White et al.
2020/0012081 A1	1/2020	Komai	2020/0283893 A1	9/2020	Byun et al.
2020/0013612 A1	1/2020	Blanquart et al.	2020/0283894 A1	9/2020	Lehn et al.
2020/0013613 A1	1/2020	Blanquart	2020/0284467 A1	9/2020	Lindeboom et al.
2020/0013626 A1	1/2020	Longrie et al.	2020/0286725 A1	9/2020	Sharma et al.
			2020/0286726 A1	9/2020	Shero et al.
			2020/0294789 A1	9/2020	Woodruff et al.
			2020/0303180 A1	9/2020	Kim et al.
			2020/0303196 A1	9/2020	Chen et al.



(56)

## References Cited

## U.S. PATENT DOCUMENTS

2021/0319982 A1 10/2021 Kim et al.  
2021/0320003 A1 10/2021 Sugiura et al.  
2021/0320010 A1 10/2021 Wang et al.  
2021/0320020 A1 10/2021 Oosterlaken et al.  
2021/0324510 A1 10/2021 Kuwano et al.  
2021/0324518 A1 10/2021 de Ridder  
2021/0327704 A1 10/2021 Kajbafvala et al.  
2021/0327714 A1 10/2021 Lee et al.  
2021/0327715 A1 10/2021 Xie et al.  
2021/0328036 A1 10/2021 Li et al.  
2021/0041284 A1 11/2021 Yednak

## FOREIGN PATENT DOCUMENTS

CN	2588350	11/2003	JP	58-19462	4/1983
CN	1563483	1/2005	JP	S5979545	5/1984
CN	1655362	8/2005	JP	S59127847	7/1984
CN	1664987	9/2005	JP	59-211779	11/1984
CN	1825535	8/2006	JP	S60110133	6/1985
CN	101047143	10/2007	JP	61038863	2/1986
CN	101142012	3/2008	JP	S62237236	10/1987
CN	101609858	12/2009	JP	S63136532	6/1988
CN	101681873	3/2010	JP	H0165766	6/1989
CN	101308794	9/2010	JP	H01185176	7/1989
CN	102094183	6/2011	JP	H01-296613	11/1989
CN	102383106	3/2012	JP	H01-307229	12/1989
CN	103014846	4/2013	JP	H01313954	12/1989
CN	102539019	9/2013	JP	H02-93071	4/1990
CN	103515222	1/2014	JP	H02-185038	7/1990
CN	102373440	7/2014	JP	H02-217469	8/1990
CN	203721699	7/2014	JP	H03-044472	2/1991
CN	104244620	12/2014	JP	H03-155625	7/1991
CN	104307264	1/2015	JP	H03211753	9/1991
CN	104498895	4/2015	JP	H03-248427	11/1991
CN	104517892	4/2015	JP	H04-29313	1/1992
CN	204629865	9/2015	JP	H04-115531	4/1992
CN	105253917	1/2016	JP	H05-6880	1/1993
CN	205448240	8/2016	JP	H05-23079	3/1993
CN	104342637	2/2017	JP	H05-118928	5/1993
CN	206145834	5/2017	JP	H05-171446	7/1993
CN	104233226	6/2017	JP	H05-291142	11/1993
CN	106895521	6/2017	JP	H06-053210	2/1994
CN	104201108	11/2017	JP	H06-84888	3/1994
CN	104630735	12/2017	JP	H06-140399	5/1994
CN	107675144	2/2018	JP	H06-16433	6/1994
CN	108389798	8/2018	JP	6204231	7/1994
CN	106011785	10/2018	JP	H06-319177	11/1994
CN	108910843	11/2018	JP	H06-338497	12/1994
CN	109000352	12/2018	JP	H07-29836	1/1995
DE	8902307	8/1989	JP	H07-297271	1/1995
DE	3836696	12/1989	JP	H07-066267	3/1995
DE	3626724	6/1994	JP	H07-74162	3/1995
DE	10133013	1/2003	JP	H07-109576	4/1995
DE	102008052750	6/2009	JP	H07-034936	8/1995
EP	0058571	8/1982	JP	H07-225214	8/1995
EP	0499004	8/1992	JP	7-272694	10/1995
EP	0634785	1/1995	JP	H07-283149	10/1995
EP	0550058	11/1998	JP	H07-209093	11/1995
EP	0887632	12/1998	JP	H08-181135	7/1996
EP	678909	7/1999	JP	H08-335558	12/1996
EP	1061567	12/2000	JP	H09-064149	3/1997
EP	1889817	2/2008	JP	9-89676	4/1997
EP	2036600	3/2009	JP	H09-148322	6/1997
EP	2426233	7/2012	JP	H10-41096	2/1998
FR	686869	7/1930	JP	H10-50635	2/1998
FR	1408266	8/1965	JP	H10-50800	2/1998
FR	2233614	1/1975	JP	H10-064696	3/1998
FR	2517790	6/1983	JP	H10-153494	6/1998
FR	2610007	8/1990	JP	H10-227703	8/1998
FR	2708624	2/1995	JP	H10-0261620	9/1998
GB	400010	10/1933	JP	H11-097163	4/1999
GB	752-277	7/1956	JP	H11-118615	4/1999
GB	1186889	6/1966	JP	H11-183264	7/1999
GB	1514921	6/1978	JP	H11-183265	7/1999
GB	2051875	1/1981	JP	H11-195688	7/1999
			JP	H11-287715	10/1999
			JP	2000068355	3/2000
			JP	2000182949	6/2000
			JP	2000269163	9/2000
			JP	2001015698	1/2001
			JP	2001023872	1/2001
			JP	2001207265	7/2001
			JP	2001207268	7/2001
			JP	2001210602	8/2001
			JP	2001220677	8/2001
			JP	2001257199	9/2001
			JP	2001287180	10/2001
			JP	2002118066	4/2002
			JP	2002164342	6/2002
			JP	2002170781	6/2002
			JP	2002237375	8/2002
			JP	2003035574	2/2003
			JP	2003053688	2/2003

(56)

## References Cited

FOREIGN PATENT DOCUMENTS					
			KR	1998-0026850	7/1998
			KR	20000000946	1/2000
			KR	10-0253664	4/2000
			KR	10-2000-0031098	6/2000
			KR	10-2000-0045257	7/2000
			KR	10-0273261	12/2000
			KR	100273261	12/2000
			KR	10-0295043	4/2001
			KR	10-2002-0027695	4/2002
			KR	10-2002-0064028	8/2002
			KR	2002-0086763	11/2002
			KR	10-0377095	3/2003
			KR	2003-0092305	12/2003
			KR	10-2005-0054122	6/2005
			KR	10-0547248	1/2006
			KR	10-0593960	6/2006
			KR	10-2006-0129566	12/2006
			KR	10-0688484	2/2007
			KR	20070041701	4/2007
			KR	10-2007-0079797	8/2007
			KR	10-2007-0084683	8/2007
			KR	10-2007-0117817	12/2007
			KR	2008-0058620	6/2008
			KR	10-2009-0039936	4/2009
			KR	10-2009-0055443	6/2009
			KR	10-2009-0056475	6/2009
			KR	10-2009-0086790	8/2009
			KR	10-2009-0105977	10/2009
			KR	10-0936694	1/2010
			KR	10-2010-0015073	2/2010
			KR	10-2010-0020834	2/2010
			KR	10-2010-0032812	3/2010
			KR	10-2010-0077442	7/2010
			KR	10-2010-0079920	7/2010
			KR	10-2010-0122701	11/2010
			KR	10-2010-0132779	12/2010
			KR	10-2011-0058534	6/2011
			KR	10-1114219	3/2012
			KR	10-2012-0111060	10/2012
			KR	10-2013-0007806	1/2013
			KR	10-2013-0067600	6/2013
			KR	10-2013-0129149	11/2013
			KR	10-1347962	1/2014
			KR	10-1491726	2/2015
			KR	10-1535573	7/2015
			KR	101758892	7/2017
			KR	10-2019-0032077	3/2019
			NL	8600255	9/1987
			NL	8701549	2/1989
			RU	1786406	1/1993
			SU	494614	2/1976
			SU	1408319	7/1988
			TW	538327	6/2003
			TW	540093	7/2003
			TW	M292692	6/2006
			TW	200731357	8/2007
			TW	200903625	1/2009
			TW	201213596	4/2012
			TW	201234453	8/2012
			TW	201247690	12/2012
			TW	M446412	2/2013
			TW	201330086	7/2013
			TW	D162593	8/2014
			TW	D164568	12/2014
			TW	201531587	8/2015
			TW	M512254	11/2015
			TW	I514509	12/2015
			TW	201613231	4/2016
			TW	M553518	12/2017
			TW	D196097	2/2019
			TW	110305975	* 10/2022
			WO	1987001508	3/1987
			WO	1990004045	4/1990
			WO	1991004522	4/1991
			WO	1991006975	5/1991
			WO	1992000477	1/1992
			WO	1994027315	11/1994
			WO	1996017107	6/1996
			WO	1997003223	1/1997

(56)

References Cited

FOREIGN PATENT DOCUMENTS

WO	1998032893	7/1998
WO	1999023690	5/1999
WO	DM/048579	7/1999
WO	2004008491	7/2002
WO	2004007800	1/2004
WO	2004008827	1/2004
WO	2004010467	1/2004
WO	2004106584	12/2004
WO	2005112082	11/2005
WO	2006035281	4/2006
WO	2006054854	5/2006
WO	2006056091	6/2006
WO	2006078666	7/2006
WO	2006080782	8/2006
WO	2006097525	9/2006
WO	2006101857	9/2006
WO	2006114781	11/2006
WO	2007024720	3/2007
WO	2007027165	3/2007
WO	2007076195	7/2007
WO	2007088940	8/2007
WO	2007117718	10/2007
WO	2007131051	11/2007
WO	2007140376	12/2007
WO	2008045972	4/2008
WO	2008091900	7/2008
WO	2008121463	10/2008
WO	2008147731	12/2008
WO	2009028619	3/2009
WO	2009029532	3/2009
WO	2009039251	3/2009
WO	2009099776	8/2009
WO	2009154889	12/2009
WO	2009154896	12/2009
WO	2010039363	4/2010
WO	2010077533	7/2010
WO	2010100702	9/2010
WO	2010110558	9/2010
WO	2010118051	10/2010
WO	2010129428	11/2010
WO	2010129430	11/2010
WO	2010129431	11/2010
WO	2011019950	2/2011
WO	2011149640	12/2011
WO	2012056592	5/2012
WO	2012077590	6/2012
WO	2013043330	3/2013
WO	2013078065	5/2013
WO	2013078066	5/2013
WO	2013177269	11/2013
WO	2014107290	7/2014
WO	2015026230	2/2015
WO	2015107009	7/2015
WO	2015112728	7/2015
WO	2015127614	9/2015
WO	2016019795	2/2016
WO	2018109553	6/2016
WO	2018109554	6/2016
WO	2017108713	6/2017
WO	2017108714	6/2017
WO	2017125401	7/2017
WO	2017212546	12/2017
WO	2018003072	1/2018
WO	2018008088	1/2018
WO	2018013778	1/2018
WO	2018020316	2/2018
WO	2018020318	2/2018
WO	2018020320	2/2018
WO	2018020327	2/2018
WO	2018105349	6/2018
WO	2018109551	6/2018
WO	2018109552	6/2018
WO	2018178771	10/2018
WO	2019030565	2/2019
WO	2019103610	5/2019

WO	2019103613	5/2019
WO	2019142055	7/2019
WO	2019158960	8/2019
WO	2019214578	11/2019
WO	2019217749	11/2019
WO	2019229537	12/2019
WO	2020002995	1/2020
WO	2020003000	1/2020
WO	2020118100	6/2020
WO	2021072042	4/2021

OTHER PUBLICATIONS

CNIPA; Office Action dated Jul. 23, 2021 in Application No. 201710131319.1.  
 CNIPA; Notice of Allowance dated Jun. 3, 2021 in Application No. 2017111057929.8.  
 CNIPA; Office Action dated Sep. 13, 2021 in Application No. 201780076230.8.  
 CNIPA; Office Action dated Sep. 13, 2021 in Application No. 201780076321.1.  
 CNIPA; Office Action dated Apr. 30, 2021 in Application No. 201810018936.5.  
 CNIPA; Office Action dated Apr. 16, 2021 in Application No. 201810116717.0.  
 CNIPA; Notice of Allowance dated Sep. 15, 2021 in Application No. 201810116717.0.  
 CNIPA; Office Action dated May 26, 2021 in Application No. 201810215131.X.  
 CNIPA; Office Action dated Jun. 16, 2021 in Application No. 201810344382.8.  
 CNIPA; Notice of Allowance dated Oct. 11, 2021 in Application No. 201810344382.8.  
 CNIPA; Office Action dated Jul. 5, 2021 in Application No. 201810530514.6.  
 CNIPA; Office Action dated Jun. 30, 2021 in Application No. 201810755771.X.  
 CNIPA; Office Action dated Sep. 23, 2021 in Application No. 201880048547.5.  
 CNIPA; Office Action dated May 19, 2021 in Application No. 201880072606.2.  
 CNIPA; Office Action dated May 31, 2021 in Application No. 201910857144.1.  
 CNIPA; Office Action dated Jun. 2, 2021 in Application No. 201910920881.1.  
 CNIPA; Office Action dated Jul. 5, 2021 in Application No. 201911042495.3.  
 CNIPA; Office Action dated Apr. 27, 2021 in Application No. 201911250100.9.  
 CNIPA; Office Action dated Jul. 7, 2021 in Application No. 201980011788.7.  
 CNIPA; Notice of Allowance dated Jun. 16, 2021 in Application No. 202130111248.6.  
 EPO; Extended European Search Report dated Aug. 11, 2021 in Application No. 21169226.4.  
 JPO; Notice of Allowance dated Aug. 11, 2021 in Application No. 2018-024655.  
 JPO; Office Action dated Aug. 2, 2021 in Application No. 2019-504674.  
 JPO; Office Action dated Sep. 10, 2021 in Application No. 2019-531445.  
 JPO; Notice of Allowance dated Jun. 30, 2021 in Application No. 2021-004208.  
 KIPO; Office Action dated Jun. 28, 2021 in Application No. 10-2014-0027217.  
 KIPO; Notice of Allowance dated May 27, 2021 in Application No. 10-2014-0105478.  
 KIPO; Notice of Allowance dated Aug. 17, 2021 in Application No. 10-2014-0122903.  
 KIPO; Notice of Allowance dated Sep. 8, 2021 in Application No. 10-2014-0136089.  
 KIPO; Notice of Allowance dated Jul. 6, 2021 in Application No. 10-2014-0145220.

(56)

**References Cited**

## OTHER PUBLICATIONS

- KIPO; Notice of Allowance dated Sep. 23, 2021 in Application No. 2014-0156196.
- KIPO; Notice of Allowance dated Jul. 21, 2021 in Application No. 10-2015-0025314.
- KIPO; Office Action dated May 19, 2021 in Application No. 10-2015-0036819.
- KIPO; Office Action dated Jun. 23, 2021 in Application No. 10-2015-0037658.
- KIPO; Office Action dated Sep. 6, 2021 in Application No. 10-2015-0046393.
- KIPO; Office Action dated Jun. 10, 2021 in Application No. 2015-61391.
- KIPO; Office Action dated Sep. 3, 2021 in Application No. 2017-37847.
- KIPO; Office Action dated Aug. 2, 2021 in Application No. 2017-43865.
- KIPO; Office Action dated Oct. 1, 2021 in Application No. 2017-43919.
- KIPO; Office Action dated Sep. 28, 2021 in Application No. 2017-49172.
- KIPO; Notice of Allowance dated Sep. 28, 2021 in Application No. 2017-54647.
- KIPO; Office Action dated in Aug. 30, 2021 in Application No. 2017-81515.
- KIPO; Office Action dated Sep. 10, 2021 in Application No. 2017-86083.
- KIPO; Office Action dated Jun. 29, 2021 in Application No. 10-2017-0066979.
- KIPO; Notice of Allowance dated Jun. 24, 2021 in Application No. 10-2019-0044213.
- KIPO; Office Action dated Jun. 17, 2021 in Application No. 10-2021-0051860.
- KIPO; Office Action dated Aug. 18, 2021 in Application No. 10-2021-0090283.
- KIPO; Notice of Allowance dated Sep. 2, 2021 in Application No. 30-2020-0047043.
- TIPO; Office Action dated Jun. 22, 2021 in Application No. 104108277.
- TIPO; Notice of Allowance dated Sep. 22, 2021 in Application No. 104108277.
- TIPO; Office Action dated Jun. 2, 2021 in Application No. 105129977.
- TIPO; Notice of Allowance dated Sep. 9, 2021 in Application No. 105129977.
- TIPO; Notice of Allowance dated Jun. 4, 2021 in Application No. 105131896.
- TIPO; Notice of Allowance dated Jul. 30, 2021 in Application No. 105134275.
- TIPO; Notice of Allowance dated Feb. 24, 2021 in Application No. 106113604.
- TIPO; Notice of Allowance dated Sep. 3, 2021 in Application No. 106115126.
- TIPO; Office Action dated Jun. 21, 2021 in Application No. 106120902.
- TIPO; Notice of Allowance dated Jun. 30, 2021 in Application No. 106121797.
- TIPO; Notice of Allowance dated Sep. 1, 2021 in Application No. 106122231.
- TIPO; Notice of Allowance dated Jun. 3, 2021 in Application No. 106123203.
- TIPO; Notice of Allowance dated Aug. 24, 2021 in Application No. 106124129.
- TIPO; Notice of Allowance dated Jul. 28, 2021 in Application No. 106129491.
- TIPO; Notice of Allowance dated Aug. 10, 2021 in Application No. 106129971.
- TIPO; Office Action dated Jun. 15, 2021 in Application No. 106133152.
- TIPO; Notice of Allowance dated Oct. 12, 2021 in Application No. 106135925.
- TIPO; Office Action dated Jul. 13, 2021 in Application No. 106138996.
- TIPO; Notice of Allowance dated Sep. 24, 2021 in Application No. 106143559.
- TIPO; Office Action dated Aug. 5, 2021 in Application No. 106143566.
- TIPO; Office Action dated May 26, 2021 in Application No. 106143568.
- TIPO; Notice of Allowance dated Jul. 30, 2021 in Application No. 106143570.
- TIPO; Office Action dated Jun. 7, 2021 in Application No. 107103230.
- TIPO; Office Action dated Aug. 10, 2021 in Application No. 107103230.
- TIPO; Office Action dated Sep. 8, 2021 in Application No. 107105788.
- TIPO; Office Action dated Aug. 3, 2021 in Application No. 107105982.
- TIPO; Office Action dated Aug. 16, 2021 in Application No. 107114888.
- TIPO; Office Action dated Sep. 28, 2021 in Application No. 109112983.
- TIPO; Office Action dated Sep. 13, 2021 in Application No. 109119438.
- TIPO; Office Action dated Oct. 18, 2021 in Application No. 109300594.
- TIPO; Notice of Allowance dated Jun. 9, 2021 in Application No. 109303437.
- TIPO; Notice of Allowance dated Oct. 1, 2021 in Application No. 110118827.
- TIPO; Notice of Allowance dated Jun. 30, 2021 in Application No. 110301018.
- TIPO; Notice of Allowance dated Jul. 29, 2021 in Application No. 110301101.
- TIPO; Notice of Allowance dated Jul. 27, 2021 in Application No. 110302670.
- USPTO; Final Office Action dated Aug. 4, 2021 in U.S. Appl. No. 14/219,879.
- USPTO; Non-Final Office Action dated Jun. 10, 2021 in U.S. Appl. No. 15/262,990.
- USPTO; Final Office Action dated Oct. 1, 2021 in U.S. Appl. No. 15/262,990.
- USPTO; Non-Final Office Action dated Jul. 9, 2021 in U.S. Appl. No. 15/286,503.
- USPTO; Notice of Allowance dated Jun. 29, 2021 in U.S. Appl. No. 15/377,439.
- USPTO; Non-Final Office Action dated Jun. 25, 2021 in U.S. Appl. No. 15/380,909.
- USPTO; Final Office Action dated Jun. 21, 2021 in U.S. Appl. No. 15/380,921.
- USPTO; Advisory Action dated Aug. 30, 2021 in U.S. Appl. No. 15/380,921.
- USPTO; Non-Final Office Action dated Oct. 6, 2021 in U.S. Appl. No. 15/380,921.
- USPTO; Advisory Action dated Jul. 27, 2021 in U.S. Appl. No. 15/402,993.
- USPTO; Final Office Action dated Jun. 9, 2021 in U.S. Appl. No. 15/491,726.
- USPTO; Advisory Action dated Aug. 24, 2021 in U.S. Appl. No. 15/491,726.
- USPTO; Non-Final Office Action dated Sep. 28, 2021 in U.S. Appl. No. 15/491,726.
- USPTO; Notice of Allowance dated Aug. 25, 2021 in U.S. Appl. No. 15/611,707.
- USPTO; Non-Final Office Action dated Sep. 16, 2021 in U.S. Appl. No. 15/636,307.
- USPTO; Advisory Action dated Jun. 11, 2021 in U.S. Appl. No. 15/690,017.
- USPTO; Non-Final Office Action dated Jun. 17, 2021 in U.S. Appl. No. 15/690,017.
- USPTO; Final Office Action dated Jul. 15, 2021 in U.S. Appl. No. 15/726,959.
- USPTO; Advisory Action dated Sep. 21, 2021 in U.S. Appl. No. 15/726,959.
- USPTO; Notice of Allowance dated Sep. 15, 2021 in U.S. Appl. No. 15/835,328.
- USPTO; Advisory Action dated Jun. 11, 2021 in U.S. Appl. No. 15/909,705.
- USPTO; Notice of Allowance dated Jun. 4, 2021 in U.S. Appl. No. 15/923,834.



(56)

**References Cited**

## OTHER PUBLICATIONS

- USPTO; Final Office Action dated Jun. 28, 2021 in U.S. Appl. No. 15/925,532.
- USPTO; Advisory Action dated Aug. 27, 2021 in U.S. Appl. No. 15/925,532.
- USPTO; Non-Final Office Action dated Oct. 6, 2021 in U.S. Appl. No. 15/925,532.
- USPTO; Non-Final Office Action dated Jun. 16, 2021 in U.S. Appl. No. 15/940,729.
- USPTO; Notice of Allowance dated Sep. 28, 2021 in U.S. Appl. No. 15/940,729.
- USPTO; Non-Final Office Action dated Aug. 2, 2021 in U.S. Appl. No. 15/962,980.
- USPTO; Non-Final Office Action dated Oct. 4, 2021 in U.S. Appl. No. 15/967,146.
- USPTO; Final Office Action dated Aug. 3, 2021 in U.S. Appl. No. 15/974,948.
- USPTO; Advisory Action dated Oct. 21, 2021 in U.S. Appl. No. 15/974,948.
- USPTO; Final Office Action dated Oct. 12, 2021 in U.S. Appl. No. 15/996,286.
- USPTO; Non-Final Office Action dated Jul. 9, 2021 in U.S. Appl. No. 15/997,445.
- USPTO; Final Office Action dated Aug. 5, 2021 in U.S. Appl. No. 16/000,109.
- USPTO; Final Office Action dated Oct. 20, 2021 in U.S. Appl. No. 16/000,125.
- USPTO; Final Office Action dated Sep. 3, 2021 in U.S. Appl. No. 16/004,041.
- USPTO; Non-Final Office Action dated Oct. 22, 2021 in U.S. Appl. No. 16/042,791.
- USPTO; Non-Final Office Action dated Sep. 28, 2021 in U.S. Appl. No. 16/105,745.
- USPTO; Non-Final Office Action dated Sep. 29, 2021 in U.S. Appl. No. 16/105,761.
- USPTO; Non-Final Office Action dated Jun. 25, 2021 in U.S. Appl. No. 16/105,802.
- USPTO; Final Office Action dated Jul. 27, 2021 in U.S. Appl. No. 16/108,950.
- USPTO; Advisory Action dated Oct. 1, 2021 in U.S. Appl. No. 16/108,950.
- USPTO; Non-Final Office Action dated Jun. 18, 2021 in U.S. Appl. No. 16/117,530.
- USPTO; Final Office Action dated Jul. 8, 2021 in U.S. Appl. No. 16/151,074.
- USPTO; Notice of Allowance dated Sep. 17, 2021 in U.S. Appl. No. 16/151,074.
- USPTO; Non-Final Office Action dated Sep. 16, 2021 in U.S. Appl. No. 16/152,260.
- USPTO; Advisory Action dated Aug. 2, 2021 in U.S. Appl. No. 16/172,535.
- USPTO; Non-Final Office Action dated Oct. 15, 2021 in U.S. Appl. No. 16/172,535.
- USPTO; Final Office Action dated Jun. 14, 2021 in U.S. Appl. No. 16/202,941.
- USPTO; Advisory Action dated Aug. 16, 2021 in U.S. Appl. No. 16/202,941.
- USPTO; Non-Final Office Action dated Sep. 20, 2021 in U.S. Appl. No. 16/202,941.
- USPTO; Final Office Action dated Jul. 26, 2021 in U.S. Appl. No. 16/206,589.
- USPTO; Notice of Allowance dated Sep. 13, 2021 in U.S. Appl. No. 16/206,589.
- USPTO; Non-Final Office Action dated Aug. 25, 2021 in U.S. Appl. No. 16/210,922.
- USPTO; Final Office Action dated Sep. 1, 2021 in U.S. Appl. No. 16/240,392.
- USPTO; Notice of Allowance dated Oct. 15, 2021 in U.S. Appl. No. 16/240,392.
- USPTO; Final Office Action dated Sep. 7, 2021 in U.S. Appl. No. 16/251,534.
- USPTO; Final Office Action dated Aug. 18, 2021 in U.S. Appl. No. 16/252,567.
- USPTO; Final Office Action dated Jul. 21, 2021 in U.S. Appl. No. 16/252,569.
- USPTO; Advisory Action dated Jul. 15, 2021 in U.S. Appl. No. 16/468,258.
- USPTO; Non-Final Office Action dated Oct. 21, 2021 in U.S. Appl. No. 16/468,258.
- USPTO; Final Office Action dated May 12, 2021 in U.S. Appl. No. 16/546,543.
- USPTO; Advisory Action dated Jul. 8, 2021 in U.S. Appl. No. 16/546,543.
- USPTO; Ex Parte Quayle Action dated Aug. 6, 2021 in U.S. Appl. No. 16/563,473.
- USPTO; Notice of Allowance dated Sep. 30, 2021 in U.S. Appl. No. 16/563,473.
- USPTO; Non-Final Office Action dated Oct. 5, 2021 in U.S. Appl. No. 16/588,807.
- USPTO; Notice of Allowance dated Oct. 18, 2021 in U.S. Appl. No. 16/601,593.
- USPTO; Non-Final Office Action dated Jun. 11, 2021 in U.S. Appl. No. 16/671,847.
- USPTO; Non-Final Office Action dated Jun. 24, 2021 in U.S. Appl. No. 16/673,860.
- USPTO; Non-Final Office Action dated Sep. 28, 2021 in U.S. Appl. No. 16/692,859.
- USPTO; Notice of Allowance dated Jul. 20, 2021 in U.S. Appl. No. 16/704,835.
- USPTO; Non-Final Office Action dated Aug. 31, 2021 in U.S. Appl. No. 16/712,707.
- USPTO; Non-Final Office Action dated Sep. 21, 2021 in U.S. Appl. No. 16/736,336.
- USPTO; Final Office Action dated Sep. 15, 2021 in U.S. Appl. No. 16/789,138.
- USPTO; Non-Final Office Action dated Jun. 24, 2021 in U.S. Appl. No. 16/792,058.
- USPTO; Notice of Allowance dated Oct. 19, 2021 in U.S. Appl. No. 16/792,058.
- USPTO; Non-Final Office Action dated Oct. 6, 2021 in U.S. Appl. No. 16/792,544.
- USPTO; Notice of Allowance dated Sep. 27, 2021 in U.S. Appl. No. 16/792,571.
- USPTO; Non-Final Office Action dated Aug. 17, 2021 in U.S. Appl. No. 16/797,346.
- USPTO; Notice of Allowance dated Jul. 21, 2021 in U.S. Appl. No. 16/816,078.
- USPTO; Non-Final Office Action dated Jun. 23, 2021 in U.S. Appl. No. 16/827,012.
- USPTO; Non-Final Office Action dated Feb. 23, 2021 in U.S. Appl. No. 16/827,506.
- USPTO; Notice of Allowance dated May 27, 2021 in U.S. Appl. No. 16/827,506.
- USPTO; Final Office Action dated Oct. 6, 2021 in U.S. Appl. No. 16/828,753.
- USPTO; Non-Final Office Action dated Jul. 28, 2021 in U.S. Appl. No. 16/835,283.
- USPTO; Non-Final Office Action dated Oct. 4, 2021 in U.S. Appl. No. 16/840,960.
- USPTO; Non-Final Office Action dated Aug. 3, 2021 in U.S. Appl. No. 16/849,793.
- USPTO; Non-Final Office Action dated Jun. 15, 2021 in U.S. Appl. No. 16/861,144.
- USPTO; Final Office Action dated Sep. 17, 2021 in U.S. Appl. No. 16/861,144.
- USPTO; Non-Final Office Action dated Sep. 1, 2021 in U.S. Appl. No. 16/867,385.
- USPTO; Final Office Action dated Oct. 7, 2021 in U.S. Appl. No. 16/872,045.
- USPTO; Final Office Action dated Oct. 14, 2021 in U.S. Appl. No. 16/878,443.

(56)

## References Cited

## OTHER PUBLICATIONS

- USPTO; Non-Final Office Action dated Oct. 4, 2021 in U.S. Appl. No. 16/886,405.
- USPTO; Non-Final Office Action dated Jul. 28, 2021 in U.S. Appl. No. 16/888,423.
- USPTO; Non-Final Office Action dated Oct. 13, 2021 in U.S. Appl. No. 16/893,206.
- USPTO; Notice of Allowance dated Jun. 17, 2021 in U.S. Appl. No. 16/924,595.
- USPTO; Non-Final Office Action dated Jul. 27, 2021 in U.S. Appl. No. 16/930,193.
- USPTO; Non-Final Office Action dated Jun. 25, 2021 in U.S. Appl. No. 16/930,305.
- USPTO; Non-Final Office Action dated Sep. 14, 2021 in U.S. Appl. No. 16/932,707.
- USPTO; Non-Final Office Action dated Oct. 4, 2021 in U.S. Appl. No. 16/935,275.
- USPTO; Notice of Allowance dated Sep. 22, 2021 in U.S. Appl. No. 16/935,280.
- USPTO; Non-Final Office Action dated Aug. 23, 2021 in U.S. Appl. No. 16/938,868.
- USPTO; Non-Final Office Action dated Oct. 12, 2021 in U.S. Appl. No. 16/944,763.
- USPTO; Non-Final Office Action dated Aug. 19, 2021 in U.S. Appl. No. 16/992,806.
- USPTO; Non-Final Office Action dated Jul. 7, 2021 in U.S. Appl. No. 16/999,065.
- USPTO; Final Office Action dated Oct. 21, 2021 in U.S. Appl. No. 16/999,065.
- USPTO; Final Office Action dated Jul. 23, 2021 in U.S. Appl. No. 17/009,093.
- USPTO; Advisory Action dated Oct. 5, 2021 in U.S. Appl. No. 17/009,093.
- USPTO; Non-Final Office Action dated Sep. 28, 2021 in U.S. Appl. No. 17/023,129.
- USPTO; Notice of Allowance dated Oct. 14, 2021 in U.S. Appl. No. 17/024,092.
- USPTO; Notice of Allowance dated Oct. 4, 2021 in U.S. Appl. No. 17/028,066.
- USPTO; Non-Final Office Action dated Sep. 10, 2021 in U.S. Appl. No. 17/038,514.
- USPTO; Non-Final Office Action dated Oct. 22, 2021 in U.S. Appl. No. 17/073,544.
- USPTO; Non-Final Office Action dated Sep. 30, 2021 in U.S. Appl. No. 17/093,224.
- USPTO; Non-Final Office Action dated Sep. 22, 2021 in U.S. Appl. No. 17/126,275.
- USPTO; Non-Final Office Action dated Sep. 23, 2021 in U.S. Appl. No. 17/254,111.
- USPTO; Non-Final Office Action dated Sep. 27, 2021 in U.S. Appl. No. 17/254,366.
- USPTO; Notice of Allowance dated Jul. 1, 2021 in U.S. Appl. No. 29/679,620.
- USPTO; Notice of Allowance dated Jul. 9, 2021 in U.S. Appl. No. 29/692,490.
- USPTO; Non-Final Office Action dated Jul. 14, 2021 in U.S. Appl. No. 29/695,044.
- USPTO; Notice of Allowance dated Jun. 8, 2021 in U.S. Appl. No. 29/696,472.
- USPTO; Notice of Allowance dated Sep. 21, 2021 in U.S. Appl. No. 29/702,865.
- Alen et al. "Atomic layer deposition of molybdenum nitride thin films for Cu metallizations" *J of The Electrochemical Society*, 152(5) G361-G366 (2005).
- Best et al. "Complex Halides of the Transition Metals. 24.1 Reactions of Dimeric Molybdenum (II) Halide Complexes Containing Strong Metal-Metal Bonds with Bidentate Tertiary Phosphines and Arsines" *Inorganic Chemistry*, vol. 17, No. 1, pp. 99-104 (1978).
- Blakeney et al. "Atomic Layer Deposition of Aluminum Metal Films Using a Thermally Stable Aluminum Hydride Reducing Agent" *Chem. Mater.*, 30, pp. 1844-1848 (2018).
- Buitrago et al. "SnOx high-efficiency EUV interference lithography gratings towards the ultimate resolution in photolithography" *Abstract*, 1 page (2016).
- Buitrago et al. "State-of-the-art EUV materials and processes for the 7 nm node and beyond" *Proc of SPIE*, vol. 10143, 8 pages (2017).
- Cheng et al. "Improved High-Temperature Leakage in High-Density MIM Capacitors by Using a TiLaO Dielectric and an Ir Electrode" *IEEE Electron Device Letters*, vol. 28, No. 12, 3 pages (2007).
- Firestop Support Plate, Type B, 6 In Apr. 4, 2012, Amazon. Com, May 10, 2021, <https://www.amazon.com/AmeriVent-Firestop-Support-Plate-Type/dp/B007R7W951/> (2012).
- Gertsch et al. "SF4 as the Fluorination Reactant for Al2O3 and VO2 Thermal Atomic Layer Etching" *Chem. Mater.*, 31, pp. 3624-3635 (2019).
- Han et al. "Synthesis and characterization of novel zinc precursors for ZnO thin film deposition by atomic layer deposition" *Dalton Transactions* 49.14 (2020): 4306-4314.
- Hayashi et al. "2,2-Difluoro-1,3-dimethylimidazolidine (DFI). A new fluorinating agent" *Chem. Commun.* pp. 1618-1619 (2002).
- Imai et al. "Energetic stability and magnetic moment of tri-, tetra-, and octa-ferromagnetic element nitrides predicted by first-principle calculations" *J of Alloys and Compounds*, vol. 611, 19 pages (2019).
- Jacoby "Chemical deposition methods to the rescue" *Chem. Commun.* pp. 29-32 (2018).
- Jiang et al. "Sensitizer for EUV Chemically Amplified Resist: Metal versus Halogen" *J of Photopolymer Science and Technology*, vol. 32, No. 1, pp. 21-25 (2019).
- Kang et al. "Optical Performance of Extreme Ultraviolet Lithography Mask with an Indium Tin Oxide Absorber" *J of Nanoscience and Nanotechnology*, vol. 12, pp. 3330-3333 (2012).
- Kim et al. "Atomic layer deposition of transition metals for silicide contact formation: Growth characteristics and silicidation" *Micro-electronic Engineering*, 106, pp. 69-75 (2013).
- Lim et al. "Atomic layer deposition of transition metals" *Nature Materials*, vol. 2 pp. 749-754 (2003).
- Maina et al. "Atomic layer deposition of transition metal films and nanostructures for electronic and catalytic applications" *Critical Reviews in Solid State and Materials Sciences*, Abstract, 2 pages (2020).
- Miikkulainen et al. "Crystallinity of inorganic films grown by atomic layer deposition: Overview and general trends" *Journal of Applied Physics*, 112, 102 pages (2013).
- Niskanen et al. "Radical-enhanced atomic layer deposition of metallic copper thin films" *Journal of the Electrochemical Society* 152(1) pp. G25-G28 (2004).
- O'Hanlon "A User's Guide to Vacuum Technology" Third Edition, Chapter 19, pp. 359-378 (2003).
- Ovanesyan et al. "Atomic Layer Deposition of SiCxNy Using Si2Cl6 and CH3NH2 Plasma" *Chem. Mater.* 2017, 29, pp. 6269-6278 (2017).
- Park et al. "Superfilling CVD of copper using a catalytic surfactant" *Proceedings of the IEEE 2001 International Interconnect Technology Conference*, 3 pages (2001).
- Petrov et al. "1,1,2,2-Tetrafluoroethyl-N,N-dimethylamine: a new selective fluorinating agent" *J of Fluorine Chemistry*, 109, pp. 25-31 (2001).
- Popov et al. "Atomic Layer Deposition of PbI2 Thin Films" *Chem. Mater.* 31, pp. 1101-1109 (2019).
- Popovici et al. "High-performance (EOT<0.4nm, Jg~10-7 A/cm2) ALD-deposited Ru/SrTiO3 stack for next generations DRAM pillar capacitor" 2018 IEEE International Electron Devices Meeting (IEDM), 4 pages (2018).
- Puurunen "Surface Chemistry of Atomic Layer Deposition: A Case Study for the Trimethylaluminum/Water Process" *Journal of Applied Physics*, 97, 55 pages (2005).
- Rahemi et al. "Variation in electron work function with temperature and its effect on the Young's modulus of metals" *Scripta Materialia*, 99, pp. 41-44 (2015).

(56)

## References Cited

## OTHER PUBLICATIONS

- SciFinder Search Results on hydrazido-based precursor for boron nitride films, search conducted Nov. 5, 2020, 5 pages (2020).
- Shiba et al. "Stable yttrium oxyfluoride used in plasma process chamber" *J. Vac. Sci. Technol. A*, 35(2), 6 pages (2017).
- Shigemoto et al. "Thermal cleaning of silicon nitride with fluorine and additive mixture" 1 page (2007).
- Takaoka et al. "F-Propene-Dialkylamine Reaction Products as Fluorinating Agents" *Bulletin of the Chemical Society of Japan*, vol. 52 (11), pp. 3377-3380 (1979).
- Tsoutsou et al. "Atomic layer deposition of  $\text{La}_x\text{Zr}_{1-x}\text{O}_2$  ( $x=0.25$ ) high-k dielectrics for advanced gate stacks" *Applied Physics Letters*, 94, 3 pages (2009).
- U.S. Appl. No. 60/545,181, filed Feb. 13, 2004 in the names of Matthew G. Goodman et al., and entitled "Forced Flow Susceptor with Exit Holes and Veins for Improved Process" pp. 1-15 (2004).
- U.S. Appl. No. 60/591,258, filed Jul. 26, 2004 in the names of Jeroen Stoutjesdijk et al., and entitled "Susceptor Support for Eliminating Backside Nodules" pp. 1-71 (2004).
- U.S. Appl. No. 62/504,470, filed May 10, 2017 in the names of Jennifer Y. Sun et al., and entitled "Metal-Oxy-Fluoride Films for Chamber Components" pp. 1-82 (2017).
- Van Asselt et al. "New Palladium Complexes of Cis-Fixed Bidentate Nitrogen Ligands as Catalysts for Carbon-Carbon Bond Formation" *Organometallics*, 11, pp. 1999-2001 (1992).
- Van Asselt et al. "On the Mechanism of Formation of Homocoupled Products in the Carbon-Carbon Cross-Coupling Reaction Catalyzed by Palladium Complexes Containing Rigid Bidentate Nitrogen Ligands" *Organometallics*, 13, pp. 1972-1980 (1994).
- Vayrynen et al. "Atomic Layer Deposition of Nickel Nitride Thin Films Using  $\text{NiCl}_2$  (TMPDA) and Tert-Butylhydrazine as Precursors" *Phy. Status Solidi A*, 216, 9 pages (2019).
- Vesters et al. "Sensitizers in EUV Chemically Amplified Resist: Mechanism of sensitivity improvement" *Proc. SPIE 10583 Extreme Ultraviolet (EUV) Lithography IX*, 1058307, 11 pages (2018).
- Wilklow-Marnell et al. "First-row transitional-metal oxalate resists for EUV" *J. Micro/Nanolith. MEMS MOEMS* 17(4) Oct.-Dec. 2018, 9 pages (2018).
- Zhang et al. "Mechanical Stability of Air-gap Interconnects" *Proc. Future Fab International*, pp. 81-87 (2008).
- Zientara et al. *Journal of the European Ceramic Society*, 27, Abstract, 1 page (2007).
- CNIPA; Office Action dated Mar. 30, 2021 in Application No. 201610131743.1.
- CNIPA; Office Action dated Mar. 1, 2021 in Application No. 201710131319.1.
- CNIPA; Notice of Allowance dated Mar. 30, 2021 in Application No. 201710762817.6.
- CNIPA; Office Action dated Jan. 28, 2021 in Application No. 201711057557.9.
- CNIPA; Office Action dated Jan. 26, 2021 in Application No. 201711057929.8.
- CNIPA; Office Action dated Apr. 19, 2021 in Application No. 201711328250.8.
- CNIPA; Notice of Allowance dated Apr. 7, 2021 in Application No. 201780044761.9.
- CNIPA; Office Action dated Jan. 29, 2021 in Application No. 201780076230.8.
- CNIPA; Office Action dated Jan. 27, 2021 in Application No. 201780076321.1.
- CNIPA; Office Action dated Mar. 24, 2021 in Application No. 201880048547.5.
- CNIPA; Office Action dated Dec. 22, 2020 in Application No. 201910378791.4.
- CNIPA; Notice of Allowance dated Apr. 7, 2021 in Application No. 202030579755.8.
- EPO; Extended European Search Report dated Apr. 6, 2021 in Application No. 21150514.4.
- JPO; Notice of Allowance dated Apr. 6, 2021 in Application No. 2017-139817.
- JPO; Office Action dated Mar. 31, 2021 in Application No. 2018-024655.
- JPO; Notice of Allowance dated Mar. 17, 2021 in Application No. 2020-010953.
- KIPO; Office Action dated Mar. 23, 2021 in Application No. 10-2014-0011765.
- KIPO; Office Action dated Apr. 27, 2021 in Application No. 10-2014-0027217.
- KIPO; Notice of Allowance dated Apr. 15, 2021 in Application No. 10-2014-0103853.
- KIPO; Notice of Allowance dated Mar. 25, 2021 in Application No. 10-2014-0128626.
- KIPO; Office Action dated Apr. 20, 2021 in Application No. 10-2014-0136089.
- KIPO; Office Action dated Mar. 19, 2021 in Application No. 10-2014-0156196.
- KIPO; Office Action dated Mar. 29, 2021 in Application No. 10-2014-0165685.
- KIPO; Office Action dated Apr. 5, 2021 in Application No. 10-2015-0031720.
- KIPO; Office Action dated Apr. 19, 2021 in Application No. 10-2015-0035094.
- KIPO; Office Action dated Mar. 8, 2021 in Application No. 10-2017-0054647.
- KIPO; Office Action dated Mar. 10, 2021 in Application No. 10-2017-0055703.
- KIPO; Notice of Allowance dated May 24, 2021 in Application No. 10-2020-0101096.
- KIPO; Notice of Allowance dated Apr. 1, 2021 in Application No. 30-2020-0030139 (M001).
- KIPO; Notice of Allowance dated Apr. 1, 2021 in Application No. 30-2020-0030139 (M002).
- TIPO; Notice of Allowance dated May 13, 2021 in Application No. 105122394.
- TIPO; Notice of Allowance dated Mar. 5, 2021 in Application No. 105131284.
- TIPO; Office Action dated Feb. 25, 2021 in Application No. 105134275.
- TIPO; Notice of Allowance dated Mar. 4, 2021 in Application No. 106100823.
- TIPO; Notice of Allowance dated May 6, 2021 in Application No. 106108522.
- TIPO; Notice of Allowance dated Mar. 4, 2021 in Application No. 106111693.
- TIPO; Office Action dated Feb. 25, 2021 in Application No. 106121797.
- TIPO; Office Action dated Apr. 26, 2021 in Application No. 106122231.
- TIPO; Office Action dated Apr. 22, 2021 in Application No. 106124126.
- TIPO; Office Action dated Apr. 22, 2021 in Application No. 106124128.
- TIPO; Notice of Allowance dated Mar. 25, 2021 in Application No. 106124130.
- TIPO; Office Action dated Mar. 4, 2021 in Application No. 106127948.
- TIPO; Office Action dated Mar. 15, 2021 in Application No. 106129971.
- TIPO; Office Action dated Apr. 7, 2021 in Application No. 106135925.
- TIPO; Office Action dated Apr. 7, 2021 in Application No. 106136905.
- TIPO; Office Action dated Mar. 29, 2021 in Application No. 106143559.
- TIPO; Office Action dated Mar. 31, 2021 in Application No. 106143570.
- TIPO; Office Action dated Jan. 15, 2021 in Application No. 108142842.
- TIPO; Office Action dated Jan. 25, 21 in Application No. 108143562.
- TIPO; Notice of Allowance dated May 18, 2021 in Application No. 109300595.
- TIPO; Notice of Allowance dated Mar. 30, 2021 in Application No. 109305460.
- USPTO; Notice of Allowance dated Feb. 10, 2021 in U.S. Appl. No. 14/219,839.
- USPTO; Advisory Action dated Apr. 13, 2021 in U.S. Appl. No. 14/829,565.

(56)

**References Cited**

## OTHER PUBLICATIONS

USPTO; Non-Final Office Action dated May 12, 2021 in U.S. Appl. No. 14/829,565.  
USPTO; Final Office Action dated Feb. 24, 2021 in U.S. Appl. No. 15/262,990.  
USPTO; Advisory Action dated Apr. 28, 2021 in U.S. Appl. No. 15/262,990.  
USPTO; Final Office Action dated Mar. 25, 2021 in U.S. Appl. No. 15/286,503.  
USPTO; Advisory Action dated Apr. 30, 2021 in U.S. Appl. No. 15/377,439.  
USPTO; Final Office Action dated Jan. 7, 2021 in U.S. Appl. No. 15/380,909.  
USPTO; Non-Final Office Action dated Feb. 9, 2021 in U.S. Appl. No. 15/402,993.  
USPTO; Final Office Action dated May 21, 2021 in U.S. Appl. No. 15/402,993.  
USPTO; Final Office Action dated Jun. 2, 2021 in U.S. Appl. No. 15/611,707.  
USPTO; Advisory Action dated Mar. 25, 2021 in U.S. Appl. No. 15/636,307.  
USPTO; Non-Final Office Action dated Apr. 21, 2021 in U.S. Appl. No. 15/636,307.  
USPTO; Final Office Action dated Mar. 10, 2021 in U.S. Appl. No. 15/690,017.  
USPTO; Notice of Allowance dated Apr. 16, 2021 in U.S. Appl. No. 15/691,241.  
USPTO; Non-Final Office Action dated Mar. 18, 2021 in U.S. Appl. No. 15/835,328.  
USPTO; Notice of Allowance dated Mar. 19, 2021 in U.S. Appl. No. 15/890,037.  
USPTO; Final Office Action dated Apr. 19, 2021 in U.S. Appl. No. 15/909,705.  
USPTO; Non-Final Office Action dated May 20, 2021 in U.S. Appl. No. 15/917,224.  
USPTO; Non-Final Office Action dated Feb. 18, 2021 in U.S. Appl. No. 15/923,834.  
USPTO; Advisory Action dated Apr. 28, 2021 in U.S. Appl. No. 15/940,729.  
USPTO; Notice of Allowance dated Apr. 7, 2021 in U.S. Appl. No. 15/940,759.  
USPTO; Advisory Action dated Feb. 22, 2021 in U.S. Appl. No. 15/962,980.  
USPTO; Final Office Action dated Apr. 13, 2021 in U.S. Appl. No. 15/967,146.  
USPTO; Advisory Action dated Jun. 2, 2021 in U.S. Appl. No. 15/967,146.  
USPTO; Non-Final Office Action dated Feb. 19, 2021 in U.S. Appl. No. 15/974,948.  
USPTO; Non-Final Office Action dated May 25, 2021 in U.S. Appl. No. 15/985,539.  
USPTO; Non-Final Office Action dated Apr. 5, 2021 in U.S. Appl. No. 15/996,286.  
USPTO; Non-Final Office Action dated Feb. 4, 2021 in U.S. Appl. No. 16/000,109.  
USPTO; Non-Final Office Action dated May 19, 2021 in U.S. Appl. No. 16/000,125.  
USPTO; Notice of Allowance dated Feb. 5, 2021 in U.S. Appl. No. 16/000,156.  
USPTO; Non-Final Office Action dated Mar. 19, 2021 in U.S. Appl. No. 16/004,041.  
USPTO; Final Office Action dated Mar. 23, 2021 in U.S. Appl. No. 16/039,817.  
USPTO; Advisory Action dated May 28, 2021 in U.S. Appl. No. 16/039,817.  
USPTO; Final Office Action dated Mar. 8, 2021 in U.S. Appl. No. 16/042,791.  
USPTO; Advisory Action dated May 14, 2021 in U.S. Appl. No. 16/042,791.

USPTO; Notice of Allowance dated Mar. 10, 2021 in U.S. Appl. No. 16/055,532.  
USPTO; Final Office Action dated Mar. 23, 2021 in U.S. Appl. No. 16/105,745.  
USPTO; Final Office Action dated Mar. 24, 2021 in U.S. Appl. No. 16/105,761.  
USPTO; Advisory Action dated May 20, 2021 in U.S. Appl. No. 16/105,761.  
USPTO; Final Office Action dated Mar. 18, 2021 in U.S. Appl. No. 16/105,802.  
USPTO; Advisory Action dated May 27, 2021 in U.S. Appl. No. 16/105,802.  
USPTO; Advisory Action dated Feb. 17, 2021 in U.S. Appl. No. 16/108,950.  
USPTO; Non-Final Office Action dated Apr. 13, 2021 in U.S. Appl. No. 16/108,950.  
USPTO; Notice of Allowance dated Mar. 23, 2021 in U.S. Appl. No. 16/116,708.  
USPTO; Advisory Action dated Mar. 10, 2021 in U.S. Appl. No. 16/117,530.  
USPTO; Non-Final Office Action dated Mar. 23, 2021 in U.S. Appl. No. 16/151,074.  
USPTO; Final Office Action dated May 6, 2021 in U.S. Appl. No. 16/152,260.  
USPTO; Notice of Allowance dated Feb. 24, 2021 in U.S. Appl. No. 16/167,164.  
USPTO; Non-Final Office Action dated Feb. 19, 2021 in U.S. Appl. No. 16/172,535.  
USPTO; Final Office Action dated May 27, 2021 in U.S. Appl. No. 16/172,535.  
USPTO; Advisory Action dated Apr. 5, 2021 in U.S. Appl. No. 16/176,517.  
USPTO; Notice of Allowance dated May 13, 2021 in U.S. Appl. No. 16/176,517.  
USPTO; Notice of Allowance dated Feb. 19, 2021 in U.S. Appl. No. 16/183,258.  
USPTO; Notice of Allowance dated Feb. 10, 2021 in U.S. Appl. No. 16/205,899.  
USPTO; Non-Final Office Action dated Mar. 29, 2021 in U.S. Appl. No. 16/206,589.  
USPTO; Advisory Action dated Feb. 25, 2021 in U.S. Appl. No. 16/210,922.  
USPTO; Final Office Action dated Mar. 29, 2021 in U.S. Appl. No. 16/219,555.  
USPTO; Non-Final Office Action dated May 2, 2021 in U.S. Appl. No. 16/240,392.  
USPTO; Advisory Action dated Jan. 26, 2021 in U.S. Appl. No. 16/251,534.  
USPTO; Non-Final Office Action dated Feb. 23, 2021 in U.S. Appl. No. 16/251,534.  
USPTO; Non-Final Office Action dated Mar. 30, 2021 in U.S. Appl. No. 16/252,567.  
USPTO; Non-Final Office Action dated Mar. 4, 2021 in U.S. Appl. No. 16/252,569.  
USPTO; Non-Final Office Action dated Apr. 20, 2021 in U.S. Appl. No. 16/397,045.  
USPTO; Notice of Allowance dated Mar. 10, 2021 in U.S. Appl. No. 16/400,814.  
USPTO; Non-Final Office Action dated May 7, 2021 in U.S. Appl. No. 16/423,824.  
USPTO; Notice of Allowance dated Apr. 28, 2021 in U.S. Appl. No. 16/453,249.  
USPTO; Final Office Action dated May 20, 2021 in U.S. Appl. No. 16/468,258.  
USPTO; Notice of Allowance dated Apr. 26, 2021 in U.S. Appl. No. 16/517,122.  
USPTO; Non-Final Office Action dated Feb. 1, 2021 in U.S. Appl. No. 16/563,473.  
USPTO; Non-Final Office Action dated May 10, 2021 in U.S. Appl. No. 16/601,593.  
USPTO; Non-Final Office Action dated Feb. 24, 2021 in U.S. Appl. No. 16/637,134.

(56)

## References Cited

## OTHER PUBLICATIONS

- USPTO; Notice of Allowance dated Jun. 2, 2021 in U.S. Appl. No. 16/637,134.
- USPTO; Notice of Allowance dated Apr. 30, 2021 in U.S. Appl. No. 16/685,787.
- USPTO; Non-Final Office Action dated Apr. 5, 2021 in U.S. Appl. No. 16/704,835.
- USPTO; Final Office Action dated Feb. 22, 2021 in U.S. Appl. No. 16/713,311.
- USPTO; Notice of Allowance dated May 20, 2021 in U.S. Appl. No. 16/752,514.
- USPTO; Notice of Allowance dated May 24, 2021 in U.S. Appl. No. 16/765,125.
- USPTO; Non-Final Office Action dated Apr. 15, 2021 in U.S. Appl. No. 16/789,138.
- USPTO; Notice of Allowance dated May 12, 2021 in U.S. Appl. No. 16/800,114.
- USPTO; Non-Final Office Action dated Apr. 5, 2021 in U.S. Appl. No. 16/816,078.
- USPTO; Non-Final Office Action dated May 19, 2021 in U.S. Appl. No. 16/828,753.
- USPTO; Non-Final Office Action dated May 4, 2021 in U.S. Appl. No. 16/872,045.
- USPTO; Non-Final Office Action dated May 3, 2021 in U.S. Appl. No. 16/878,443.
- USPTO; Non-Final Office Action dated Dec. 31, 2020 in U.S. Appl. No. 16/924,595.
- USPTO; Non-Final Office Action dated May 25, 2021 in U.S. Appl. No. 16/935,280.
- USPTO; Non-Final Office Action dated Apr. 14, 2021 in U.S. Appl. No. 17/009,093.
- USPTO; Ex Parte Quayle Action dated Apr. 13, 2021 in U.S. Appl. No. 29/679,620.
- USPTO; Notice of Allowance dated May 19, 2021 in U.S. Appl. No. 29/702,881.
- Aubin et al. "Very low temperature (450° C.) selective epitaxial growth of heavily in situ boron-doped SiGe layers" *Semiconductor Science and Technology*, 30, 10 pages (2015).
- Barnscheidt et al. "Highly boron-doped germanium layers on Si(001) grown by carbon-mediated epitaxy" *Semiconductor Science and Technology*, 33, 9 pages (2018).
- Belyansky et al. "Low Temperature Borophosphosilicate Glass (BPSG) Process for High Aspect Ratio Gap Fill" [www.electrochem.org/dl/ma/201/pdfs/0705.pdf](http://www.electrochem.org/dl/ma/201/pdfs/0705.pdf), downloaded May 15, 2021, 1 page.
- Cheremisin et al. "UV-laser modification and selective ion-beam etching of amorphous vanadium pentoxide thin films" *Phys. Status Solidi A, Applications and materials science*, 206 (7), pp. 1484-1487 (2009).
- Dingemans et al. "Plasma-Assisted ALD for the Conformal Deposition of SiO<sub>2</sub>: Process, Material and Electronic Properties" *J of the Electrochemical Society*, 159(3), H277-H285 (2012).
- G02-1152 "Atomic Layer Deposition of Al<sub>2</sub>O<sub>3</sub> with Alcohol Oxidants for Impeding Substrate Oxidation" Abstract. Oct. 16, 2019 (2019).
- Imamura et al. "Cyclic C<sub>4</sub>F<sub>8</sub> and O<sub>2</sub> plasma etching of TiO<sub>2</sub> for high-aspect-ratio three-dimensional devices" *Template for JJAP Regular Papers*, Jan. 2014, p. 29 (2014).
- Kim et al. "A process for topographically selective deposition on 3D nanostructures by ion implantation" *ACS Nano*, 10, 4, 4451-4458 (2016).
- Lee et al. "Ultraviolet light enhancement of Ta<sub>2</sub>O<sub>5</sub> dry etch rates" *J. of Vacuum Science & Technology B: Microelectronics and Nanometer Structures Processing, Measurement, and Phenomena*, 18, pp. 293-295 (2000).
- Musschoot et al. "Atomic layer deposition of titanium nitride from TDMAT precursor" *Microelectronic Engineering*, 86, pp. 72-77 (2009).
- Noirecler et al. "Transmission electron microscopy characterization of low temperature boron doped silicon epitaxial films" *CrystEngComm*, 22(33), pp. 5464-5472 (2020).
- Oyama et al. "Topotactic synthesis of vanadium nitride solid foams" *Journal of Materials Research* vol. 8. No. 6, pp. 1450-1454 (1993).
- Rimoldi et al. "Atomic Layer Deposition of Rhenium-Aluminum Oxide Thin Films and ReOx Incorporation in a Metal-Organic Framework" *Applied Materials & Interfaces*, 9, pp. 35067-35074 (2017).
- Standard Motor Products LX249 Ignition Pick Up, Nov. 11, 2005, Amazon.com, May 10, 2021. URL: <https://www.amazon.com/Standard-Motor-Products-LX249-Ignition/dp/B000C7ZTS4/> (2005).
- Tao et al. "Improved performance of GeON as charge storage layer in flash memory by optimal annealing" *Microelectronics Reliability*, vol. 52, pp. 2597-2601 (2012).
- Wirths et al. "Low temperature RPCVD epitaxial growth of Si<sub>1-x</sub>Ge<sub>x</sub> using Si<sub>2</sub>H<sub>6</sub> and Ge<sub>2</sub>H<sub>6</sub>" *Solid-State Electronics*, 88, pp. 2-9 (2013).
- Yanguas-Gil et al. "Modulation of the Growth Per Cycle in Atomic Layer Deposition Using Reversible Surface Functionalization" *Chemistry of Materials*, 25, pp. 4849-4860 (2013).
- CNIPA; Office Action dated Jan. 10, 2013 in Application No. 201080015699.9.
- CNIPA; Office Action dated Aug. 1, 2013 in Application No. 201080015699.9.
- CNIPA; Office Action dated Jan. 21, 2014 in Application No. 201080015699.9.
- CNIPA; Office Action dated Jul. 25, 2014 in Application No. 201080015699.9.
- CNIPA; Office Action dated Jan. 12, 2015 in Application No. 201080015699.9.
- CNIPA; Notice of Allowance dated May 8, 2015 in Application No. 201080015699.9.
- CNIPA; Office Action dated Dec. 10, 2013 in Application No. 201080020267.7.
- CNIPA; Notice of Allowance dated Aug. 22, 2014 in Application No. 201080020267.7.
- CNIPA; Office Action dated Jan. 21, 2013 in Application No. 201080020268.1.
- CNIPA; Office Action dated Sep. 26, 2013 in Application No. 201080020268.1.
- CNIPA; Office Action dated Apr. 3, 2014 in Application No. 201080020268.1.
- CNIPA; Office Action dated Sep. 23, 2014 in Application No. 201080020268.1.
- CNIPA; Office Action dated Apr. 7, 2015 in Application No. 201080020268.1.
- CNIPA; Notice of Allowance dated Oct. 16, 2015 in Application No. 201080020268.1.
- CNIPA; Office Action dated May 24, 2013 in Application No. 201080036764.6.
- CNIPA; Office Action dated Jan. 2, 2014 in Application No. 201080036764.6.
- CNIPA; Office Action dated Jul. 1, 2014 in Application No. 201080036764.6.
- CNIPA; Notice of Allowance dated Oct. 24, 2014 in Application No. 201080036764.6.
- CNIPA; Office Action dated Feb. 8, 2014 in Application No. 201110155056.0.
- CNIPA; Office Action dated Sep. 16, 2014 in Application No. 201110155056.0.
- CNIPA; Office Action dated Feb. 9, 2015 in Application No. 201110155056.0.
- CNIPA; Notice of Allowance dated Aug. 26, 2015 in Application No. 201110155056.0.
- CNIPA; Office Action dated Dec. 4, 2015 in Application No. 201210201995.9.
- CNIPA; Office Action dated Jul. 14, 2016 in Application No. 201210201995.9.
- CNIPA; Office Action dated Jan. 20, 2017 in Application No. 201210201995.9.
- CNIPA; Notice of Allowance dated Apr. 13, 2017 in Application No. 201210201995.9.
- CNIPA; Office Action dated Dec. 24, 2015 in Application No. 201280057466.4.

(56)

**References Cited**

## OTHER PUBLICATIONS

- CNIPA; Notice of Allowance dated Jun. 16, 2016 in Application No. 201280057466.4.
- CNIPA; Office Action dated Dec. 4, 2015 in Application No. 201280057542.1.
- CNIPA; Office Action dated May 16, 2016 in Application No. 201280057542.1.
- CNIPA; Office Action dated Sep. 9, 2016 in Application No. 201280057542.1.
- CNIPA; Notice of Allowance dated Jan. 3, 2017 in Application No. 201280057542.1.
- CNIPA; Office Action dated Dec. 5, 2016 in Application No. 201310412808.6.
- CNIPA; Notice of Allowance dated Jul. 20, 2017 in Application No. 201310412808.6.
- CNIPA; Office Action dated Feb. 5, 2018 in Application No. 201410331047.6.
- CNIPA; Office Action dated Dec. 14, 2018 in Application No. 201410331047.6.
- CNIPA; Notice of Allowance dated Jun. 14, 2019 in Application No. 201410331047.6.
- CNIPA; Office Action dated Oct. 19, 2018 in Application No. 201510765170.3.
- CNIPA; Office Action dated Jun. 28, 2019 in Application No. 201510765170.3.
- CNIPA; Notice of Allowance dated Sep. 30, 2019 in Application No. 201510765170.3.
- CNIPA; Office Action dated Oct. 31, 2018 in Application No. 201510765406.3.
- CNIPA; Office Action dated Jun. 28, 2019 in Application No. 201510765406.3.
- CNIPA; Notice of Allowance dated Dec. 27, 2019 in Application No. 201510765406.3.
- CNIPA; Office Action dated Jan. 21, 2020 in Application No. 201610028064.1.
- CNIPA; Notice of Allowance dated May 22, 2020 in Application No. 201610028064.1.
- CNIPA; Office Action dated Mar. 26, 2020 in Application No. 201610131743.1.
- CNIPA; Office Action dated Oct. 16, 2020 in Application No. 201610131743.1.
- CNIPA; Office Action dated Mar. 14, 2019 in Application No. 201610141027.1.
- CNIPA; Notice of Allowance dated Sep. 3, 2019 in Application No. 201610141027.1.
- CNIPA; Office Action dated Jul. 23, 2019 in Application No. 201610897958.4.
- CNIPA; Office Action dated Feb. 28, 2020 in Application No. 201610897958.4.
- CNIPA; Office Action dated Jun. 16, 2020 in Application No. 201610897958.4.
- CNIPA; Office Action dated Nov. 4, 2019 in Application No. 201610898822.5.
- CNIPA; Office Action dated Jul. 3, 2020 in Application No. 201610898822.5.
- CNIPA; Notice of Allowance dated Oct. 9, 2020 in Application No. 201610898822.5.
- CNIPA; Office Action dated May 18, 2020 in Application No. 201610982040.X.
- CNIPA; Notice of Allowance dated Dec. 21, 2020 in Application No. 201610982040.X.
- CNIPA; Office Action dated May 29, 2020 in Application No. 201710131319.1.
- CNIPA; Office Action dated Jun. 1, 2020 in Application No. 201710173292.2.
- CNIPA; Notice of Allowance dated Nov. 4, 2020 in Application No. 201710173292.2.
- CNIPA; Office Action dated Dec. 20, 2018 in Application No. 201710738549.4.
- CNIPA; Office Action dated Nov. 20, 2020 in Application No. 201710762817.6.
- CNIPA; Office Action dated Jun. 20, 2019 in Application No. 201711120632.1.
- CNIPA; Notice of Allowance dated May 25, 2017 in Application No. 201730010308.9.
- CNIPA; Office Action dated Aug. 31, 2020 in Application No. 201780044761.9.
- CNIPA; Office Action dated Nov. 11, 2019 in Application No. 201810379112.0.
- CNIPA; Office Action dated Apr. 27, 2020 in Application No. 201810379112.0.
- CNIPA; Office Action dated Apr. 27, 2020 in Application No. 201810379112.0.
- CNIPA; Office Action dated Apr. 27, 2020 in Application No. 201810836604.8.
- CNIPA; Office Action dated Jul. 30, 2020 in Application No. 201810836604.8.
- CNIPA; Office Action dated Apr. 22, 2020 in Application No. 201810994464.7.
- CNIPA; Notice of Allowance dated Oct. 24, 2018 in Application No. 201830060972.9.
- CNIPA; Notice of Allowance dated Nov. 1, 2018 in Application No. 201830397219.9.
- CNIPA; Notice of Allowance dated May 14, 2020 in Application No. 201930615780.4.
- CNIPA; Notice of Allowance dated Apr. 27, 2020 in Application No. 201930660355.7.
- CNIPA; Notice of Allowance dated Dec. 28, 2020 in Application No. 201930704935.1.
- CNIPA; Notice of Allowance dated Jun. 2, 2020 in Application No. 202030048819.1.
- CNIPA; Notice of Allowance dated May 15, 2020 in Application No. 202030048854.3.
- CNIPA; Notice of Allowance dated May 15, 2020 in Application No. 202030053560.X.
- CNIPA; Notice of Allowance dated Aug. 7, 2020 in Application No. 202030053609.1.
- CNIPA; Notice of Allowance dated May 20, 2020 in Application No. 202030053634.X.
- CNIPA; Notice of Allowance dated Dec. 10, 2020 in Application No. 202030352604.9.
- CNIPA; Office Action dated Jan. 25, 2021 in Application No. 202030579755.8.
- EPO; Office Action dated Jul. 29, 2008 in Application No. 00902194.0.
- EPO; Supplementary European Search Report and Opinion dated Nov. 9, 2012 in Application No. 08798519.8.
- EPO; Office Action dated Jul. 18, 2016 in Application No. 08798519.8.
- EPO; Extended European Search Report dated Dec. 9, 2016 in Application No. 09767208.3.
- EPO; Office Action dated Aug. 10, 2018 in Application No. 09767208.3.
- EPO; Notice of Allowance dated Aug. 1, 2019 in Application No. 09767208.3.
- EPO; Office Action dated Jun. 27, 2003 in Application No. 97929595.3.
- EPO; Office Action dated Feb. 18, 2004 in Application No. 97929595.3.
- EPO; Notice of Allowance dated Apr. 29, 2004 in Application No. 97929595.3.
- EPO; Supplementary European Search Report and Opinion dated Jan. 5, 2017 in Application No. 09836647.9.
- EPO; Office Action dated Feb. 28, 2018 in Application No. 09836647.9.
- EPO; Office Action dated Jan. 11, 2019 in Application No. 09836647.9.
- EPO; Notice of Allowance dated Oct. 16, 2019 in Application No. 09836647.9.
- EPO; Notice of Allowance dated Jan. 10, 2001 in Application No. 98911263.6.
- EPO; Office Action dated Jun. 6, 2001 in Application No. 98911277.6.

(56)

**References Cited**

## OTHER PUBLICATIONS

- EPO; Office Action dated Jun. 27, 2003 in Application No. 98967122.7.
- EPO; Notice of Allowance dated Feb. 23, 2004 in Application No. 98967122.7.
- EPO; Office Action dated Sep. 22, 2003 in Application No. 99946447.2.
- EPO; Office Action dated Nov. 25, 2003 in Application No. 99946447.2.
- EPO; Office Action dated Mar. 30, 2004 in Application No. 99946447.2.
- EPO; Office Action dated Jul. 19, 2004 in Application No. 99946447.2.
- EPO; Notice of Allowance dated Sep. 22, 2004 in Application No. 99946447.2.
- EPO; Supplementary European Search Report dated May 27, 2002 in Application No. 99973123.
- EPO; Notice of Allowance dated Jun. 11, 2004 in Application No. 99973123.
- EPO; Extended European Search Report dated Apr. 28, 2014 in Application No. 11162225.4.
- EPO; Notice of Allowance dated Feb. 3, 2015 in Application No. 11162225.4.
- EPO; Extended European Search Report dated Nov. 29, 2019 in Application No. 19188826.2.
- EPO; Extended European Search Report dated Mar. 3, 2020 in Application No. 19205558.0.
- IPOS; Notice of Allowance dated Aug. 14, 2017 in Application No. 10201401237.
- JPO; Office Action dated Aug. 10, 2009 in Application No. 2003029767.
- JPO; Office Action dated Apr. 13, 2010 in Application No. 2003029767.
- JPO; Notice of Allowance dated Jun. 24, 2010 in Application No. 2003029767.
- JPO; Office Action dated Oct. 30, 2008 in Application No. 2004558313.
- JPO; Office Action dated Feb. 19, 2009 in Application No. 2004558313.
- JPO; Notice of Allowance dated Jun. 30, 2009 in Application No. 2004558313.
- JPO; Office Action dated Mar. 16, 2012 in Application No. 2009-532567.
- JPO; Notice of Allowance dated Jul. 23, 2012 in Application No. 2009-532567.
- JPO; Notice of Allowance dated Mar. 29, 2013 in Application No. 2010-509478.
- JPO; Office Action dated Dec. 20, 2011 in Application No. 2010-522075.
- JPO; Office Action dated Apr. 11, 2012 in Application No. 2010-522075.
- JPO; Office Action dated May 15, 2013 in Application No. 2010058415.
- JPO; Office Action dated Oct. 30, 2013 in Application No. 2010058415.
- JPO; Office Action dated Aug. 7, 2014 in Application No. 2010058415.
- JPO; Notice of Allowance dated Dec. 18, 2014 in Application No. 2010058415.
- JPO; Office Action dated Aug. 22, 2013 in Application No. 2010-153754.
- JPO; Office Action dated Oct. 30, 2013 in Application No. 2010-193285.
- JPO; Office Action dated Aug. 26, 2015 in Application No. 2011-284831.
- JPO; Notice of Allowance dated Mar. 3, 2016 in Application No. 2011-284831.
- JPO; Office Action dated May 31, 2012 in Application No. 2011-514650.
- JPO; Office Action dated Sep. 11, 2012 in Application No. 2011-514650.
- JPO; Notice of Allowance dated Dec. 10, 2012 in Application No. 2011-514650.
- JPO; Office Action dated Dec. 10, 2014 in Application No. 2011090067.
- JPO; Notice of Allowance dated Apr. 28, 2015 in Application No. 2011090067.
- JPO; Office Action dated Jul. 14, 2016 in Application No. 2012-153698.
- JPO; Notice of Allowance dated Oct. 21, 2016 in Application No. 2012-153698.
- JPO; Office Action dated Dec. 20, 2013 in Application No. 2012-504786.
- JPO; Office Action dated Jan. 25, 2014 in Application No. 2012-504786.
- JPO; Office Action dated Dec. 1, 2014 in Application No. 2012-504786.
- JPO; Notice of Allowance dated Jun. 12, 2015 in Application No. 2012504786.
- JPO; Office Action dated Mar. 11, 2013 in Application No. 2012-509857.
- JPO; Notice of Allowance dated Jun. 29, 2013 in Application No. 2012-509857.
- JPO; Office Action dated May 19, 2017 in Application No. 2013-160173.
- JPO; Notice of Allowance dated Aug. 23, 2017 in Application No. 2013-160173.
- JPO; Office Action dated Aug. 14, 2017 in Application No. 2013-178344.
- JPO; Office Action dated Jan. 23, 2018 in Application No. 2013-178344.
- JPO; Notice of Allowance dated Jul. 24, 2018 in Application No. 2013-178344.
- JPO; Office Action dated Apr. 3, 2018 in Application No. 2014-120675.
- JPO; Notice of Allowance dated Jun. 6, 2018 in Application No. 2014-120675.
- JPO; Office Action dated Mar. 28, 2018 in Application No. 2014-188835.
- JPO; Notice of Allowance dated Jun. 6, 2018 in Application No. 2014-188835.
- JPO; Office Action dated Apr. 12, 2018 in Application No. 2014-205548.
- JPO; Notice of Allowance dated Dec. 19, 2019 in Application No. 2014205548.
- JPO; Notice of Allowance dated May 14, 2018 in Application No. 2014-216540.
- JPO; Office Action dated Jul. 20, 2018 in Application No. 2015-034774.
- JPO; Office Action dated Jun. 27, 2019 in Application No. 2015034774.
- JPO; Notice of Allowance dated Nov. 20, 2019 in Application No. 2015034774.
- JPO; Office Action dated Jan. 30, 2019 in Application No. 2015052198.
- JPO; Notice of Allowance dated Apr. 5, 2019 in Application No. 2015052198.
- JPO; Office Action dated Aug. 29, 2019 in Application No. 2016001928.
- JPO; Notice of Allowance dated Dec. 17, 2019 in Application No. 2016001928.
- JPO; Office Action dated Jun. 1, 2020 in Application No. 2016-206625.
- JPO; Notice of Allowance dated Nov. 27, 2020 in Application No. 2016-206625.
- JPO; Office Action dated Aug. 28, 2020 in Application No. 2017-139817.
- JPO; Office Action dated Jan. 26, 2021 in Application No. 2017-139817.
- JPO; Notice of Allowance dated Jul. 1, 2020 in Application No. 2019-025168.
- JPO; Office Action dated Aug. 24, 2020 in Application No. 2019-119908.
- JPO; Office Action dated Jun. 29, 2020 in Application No. 2020-502653.
- JPO; Notice of Allowance dated Nov. 26, 2020 in Application No. 2020-502653.
- KIPO; Office Action dated Dec. 10, 2015 in Application No. 10-2010-0028336.
- KIPO; Office Action dated Jun. 29, 2016 in Application No. 10-2010-0028336.
- KIPO; Notice of Allowance dated Sep. 29, 2016 in Application No. 10-2010-0028336.

(56)

**References Cited**

## OTHER PUBLICATIONS

KIPO; Office Action dated Mar. 3, 2016 in Application No. 10-2010-0067768.  
KIPO; Office Action dated Aug. 1, 2016 in Application No. 10-2010-0067768.  
KIPO; Notice of Allowance dated Dec. 1, 2016 in Application No. 10-2010-0067768.  
KIPO; Office Action dated May 2, 2016 in Application No. 10-2010-0082446.  
KIPO; Office Action dated Sep. 19, 2016 in Application No. 10-2010-0082446.  
KIPO; Notice of Allowance dated Mar. 7, 2017 in Application No. 10-2010-0082446.  
KIPO; Office Action dated Mar. 13, 2017 in Application No. 20110034612.  
KIPO; Office Action dated Jul. 20, 2017 in Application No. 20110034612.  
KIPO; Notice of Allowance dated Sep. 1, 2017 in Application No. 20110034612.  
KIPO; Office Action dated Nov. 24, 2017 in Application No. 10-2011-0036449.  
KIPO; Office Action dated May 23, 2017 in Application No. 10-2011-0036449.  
KIPO; Office Action dated Apr. 2, 2018 in Application No. 10-2011-0036449.  
KIPO; Notice of Allowance dated Oct. 24, 2018 in Application No. 10-2011-0036449.  
KIPO; Office Action dated Sep. 4, 2017 in Application No. 10-2011-0087600.  
KIPO; Notice of Allowance dated Jan. 11, 2018 in Application No. 10-2011-0087600.  
KIPO; Office Action dated Oct. 23, 2017 in Application No. 10-2011-0142924.  
KIPO; Notice of Allowance dated Mar. 14, 2018 in Application No. 10-2011-0142924.  
KIPO; Office Action dated Dec. 11, 2015 in Application No. 10-2011-7023416.  
KIPO; Office Action dated Mar. 13, 2016 in Application No. 10-2011-7023416.  
KIPO; Notice of Allowance dated Jun. 2, 2016 in Application No. 10-2011-7023416.  
KIPO; Office Action dated Oct. 30, 2017 in Application No. 10-2012-0041878.  
KIPO; Notice of Allowance dated Feb. 28, 2018 in Application No. 10-2012-0041878.  
KIPO; Office Action dated Mar. 21, 2018 in Application No. 10-2012-0042518.  
KIPO; Notice of Allowance dated May 30, 2018 in Application No. 10-2012-0042518.  
KIPO; Office Action dated Mar. 21, 2018 in Application No. 10-2012-0064526.  
KIPO; Office Action dated Sep. 18, 2018 in Application No. 10-2012-0064526.  
KIPO; Office Action dated Dec. 13, 2018 in Application No. 10-2012-0064526.  
KIPO; Office Action dated Jan. 12, 2019 in Application No. 10-2012-0064526.  
KIPO; Notice of Allowance dated Jul. 5, 2019 in Application No. 10-2012-0064526.  
KIPO; Office Action dated Mar. 30, 2018 in Application No. 10-2012-0076564.  
KIPO; Office Action dated Sep. 27, 2018 in Application No. 10-2012-0076564.  
KIPO; Office Action dated Mar. 27, 2019 in Application No. 10-2012-0076564.  
KIPO; Decision of Intellectual Property Trial and Appeal Board dated Jun. 23, 2020 in Application No. 10-2012-0076564.  
KIPO; Office Action dated Apr. 30, 2018 in Application No. 10-2012-0103114.

KIPO; Notice of Allowance dated Nov. 22, 2018 in Application No. 10-2012-0103114.  
KIPO; Office Action dated Oct. 24, 2016 in Application No. 10-2012-7004062.  
KIPO; Office Action dated Jul. 24, 2017 in Application No. 10-2012-7004062.  
KIPO; Decision of Intellectual Property Trial and Appeal Board dated May 13, 2019 in Application No. 10-2012-7004062.  
KIPO; Office Action dated May 30, 2019 in Application No. 10-2012-7004062.  
KIPO; Notice of Allowance dated Sep. 27, 2019 in Application No. 10-2012-7004062.  
KIPO; Office Action dated Apr. 24, 2019 in Application No. 10-2013-0036823.  
KIPO; Notice of Allowance dated Aug. 29, 2019 in Application No. 10-2013-0036823.  
KIPO; Office Action dated Aug. 27, 2019 in Application No. 10-2013-0049598.  
KIPO; Office Action dated Feb. 28, 2020 in Application No. 10-2013-0049598.  
KIPO; Notice of Allowance dated Sep. 25, 2020 in Application No. 10-2013-0049598.  
KIPO; Office Action dated May 31, 2019 in Application No. 10-2013-0050740.  
KIPO; Office Action dated Nov. 27, 2019 in Application No. 10-2013-0050740.  
KIPO; Notice of Allowance dated Apr. 23, 2020 in Application No. 10-2013-0050740.  
KIPO; Office Action dated Mar. 27, 2019 in Application No. 10-2013-0084459.  
KIPO; Notice of Allowance dated Oct. 30, 2019 in Application No. 10-2013-0084459.  
KIPO; Office Action dated Apr. 30, 2019 in Application No. 10-2013-0088450.  
KIPO; Office Action dated Nov. 29, 2019 in Application No. 10-2013-0088450.  
KIPO; Notice of Allowance dated Jan. 13, 2020 in Application No. 10-2013-0088450.  
KIPO; Office Action dated Aug. 27, 2019 in Application No. 10-2013-0089998.  
KIPO; Notice of Allowance dated Feb. 27, 2020 in Application No. 10-2013-0089998.  
KIPO; Office Action dated Dec. 4, 2019 in Application No. 10-2013-0098575.  
KIPO; Office Action dated Jun. 19, 2020 in Application No. 10-2013-0098575.  
KIPO; Notice of Allowance dated Aug. 13, 2020 in Application No. 10-2013-0098575.  
KIPO; Office Action dated Apr. 19, 2019 in Application No. 10-2013-0101944.  
KIPO; Notice of Allowance dated Oct. 08, 2019 in Application No. 10-2013-0101944.  
KIPO; Office Action dated Nov. 12, 2019 in Application No. 10-2013-0102026.  
KIPO; Notice of Allowance dated May 14, 2020 in Application No. 10-2013-0102026.  
KIPO; Office Action dated Aug. 15, 2019 in Application No. 10-2013-0109390.  
KIPO; Notice of Allowance dated Oct. 21, 2019 in Application No. 10-2013-0109390.  
KIPO; Office Action dated Oct. 7, 2019 in Application No. 10-2013-0114079.  
KIPO; Notice of Allowance dated Mar. 4, 2020 in Application No. 10-2013-0114079.  
KIPO; Office Action dated May 21, 2019 in Application No. 10-2013-0121554.  
KIPO; Notice of Allowance dated Oct. 28, 2019 in Application No. 10-2013-0121554.  
KIPO; Office Action dated Mar. 30, 2020 in Application No. 10-2014-0011764.  
KIPO; Notice of Allowance dated Oct. 27, 2020 in Application No. 10-2014-0011764.



(56)

**References Cited**

## OTHER PUBLICATIONS

KIPO; Office Action dated Jul. 21, 2020 in Application No. 10-2014-0011765.  
 KIPO; Office Action dated Jan. 25, 2021 in Application No. 10-2014-0011765.  
 KIPO; Office Action dated Feb. 3, 2020 in Application No. 10-2014-0021615.  
 KIPO; Notice of Allowance dated Sep. 8, 2020 in Application No. 10-2014-0021615.  
 KIPO; Office Action dated Oct. 26, 2020 in Application No. 10-2014-0027217.  
 KIPO; Office Action dated Feb. 15, 2020 in Application No. 10-2014-0027305.  
 KIPO; Notice of Allowance dated Oct. 12, 2020 in Application No. 10-2014-0027305.  
 KIPO; Office Action dated Jul. 9, 2020 in Application No. 10-2014-0060120.  
 KIPO; Notice of Allowance dated Jan. 4, 2021 in Application No. 10-2014-0060120.  
 KIPO; Office Action dated Aug. 18, 2020 in Application No. 10-2014-0071653.  
 KIPO; Notice of Allowance dated Jan. 4, 2021 in Application No. 10-2014-0071653.  
 KIPO; Office Action dated May 21, 2020 in Application No. 10-2014-0086902.  
 KIPO; Notice of Allowance dated Oct. 19, 2020 in Application No. 10-2014-0086902.  
 KIPO; Office Action dated May 21, 2020 in Application No. 10-2014-0091092.  
 KIPO; Notice of Allowance dated Sep. 27, 2020 in Application No. 10-2014-0091092.  
 KIPO; Office Action dated Mar. 11, 2020 in Application No. 10-2014-0103853.  
 KIPO; Office Action dated Oct. 5, 2020 in Application No. 10-2014-0103853.  
 KIPO; Office Action dated Nov. 29, 2020 in Application No. 10-2014-0105478.  
 KIPO; Office Action dated Feb. 17, 2021 in Application No. 10-2014-0122903.  
 KIPO; Office Action dated Oct. 7, 2020 in Application No. 10-2014-0128626.  
 KIPO; Office Action dated Jan. 25, 2021 in Application No. 10-2014-0145220.  
 KIPO; Office Action dated Jan. 22, 2019 in Application No. 10-2014-7017110.  
 KIPO; Notice of Allowance dated Aug. 26, 2019 in Application No. 10-2014-7017110.  
 KIPO; Office Action dated Sep. 28, 2017 in Application No. 10-2014-7017112.  
 KIPO; Notice of Allowance dated Feb. 23, 2018 in Application No. 10-2014-7017112.  
 KIPO; Office Action dated Jan. 6, 2021 in Application No. 10-2015-0025314.  
 KIPO; Office Action dated Nov. 9, 2016 in Application No. 10-2016-7023913.  
 KIPO; Notice of Allowance dated May 30, 2017 in Application No. 10-2016-7023913.  
 KIPO; Office Action dated Jul. 21, 2020 in Application No. 10-2017-0087308.  
 KIPO; Notice of Allowance dated Oct. 26, 2020 in Application No. 10-2017-0087308.  
 KIPO; Notice of Allowance dated Feb. 27, 2018 in Application No. 10-2017-0175442.  
 KIPO; Office Action dated Sep. 28, 2017 in Application No. 10-2017-7023740.  
 KIPO; Final Office Action dated Jun. 17, 2019 in Application No. 10-2017-7023740.  
 KIPO; Notice of Allowance dated Jul. 19, 2018 in Application No. 20187013945.

KIPO; Office Action dated Jun. 30, 2020 in Application No. 10-2019-0044213.  
 KIPO; Office Action dated Dec. 23, 2020 in Application No. 10-2019-0044213.  
 KIPO; Notice of Allowance dated Nov. 29, 2019 in Application No. 10-2019-0127773.  
 KIPO; Office Action dated Apr. 22, 2020 in Application No. 10-2020-0009462.  
 KIPO; Notice of Allowance dated Oct. 28, 2020 in Application No. 10-2020-0009462.  
 KIPO; Office Action dated Nov. 14, 2020 in Application No. 10-2020-0101096.  
 KIPO; Office Action dated Feb. 12, 2020 in Application No. 10-2020-7000992.  
 KIPO; Notice of Allowance dated Jul. 20, 2020 in Application No. 10-2020-7000992.  
 KIPO; Office Action dated Sep. 15, 2017 in Application No. 30-2017-0001320.  
 KIPO; Notice of Allowance dated Jan. 19, 2018 in Application No. 30-2017-0001320.  
 KIPO; Notice of Allowance dated Jul. 10, 2018 in Application No. 30-2017-0052872.  
 KIPO; Office Action dated Jul. 11, 2018 in Application No. 30-2018-0006016.  
 KIPO; Notice of Allowance dated Oct. 16, 2018 in Application No. 30-2018-0006016.  
 KIPO; Office Action dated Jan. 30, 2019 in Application No. 30-2018-0033442.  
 KIPO; Notice of Allowance dated Apr. 1, 2019 in Application No. 30-2018-0033442.  
 KIPO; Notice of Allowance dated Oct. 20, 2020 in Application No. 30-2019-0054013 M001.  
 KIPO; Notice of Allowance dated Oct. 20, 2020 in Application No. 30-2019-0054013 M002.  
 KIPO; Notice of Allowance dated Oct. 20, 2020 in Application No. 30-2019-0054642.  
 KIPO; Notice of Allowance dated Oct. 22, 2020 in Application No. 30-2019-0058076.  
 KIPO; Notice of Allowance dated Oct. 22, 2020 in Application No. 30-2019-0058566 (M001).  
 KIPO; Notice of Allowance dated Oct. 22, 2020 in Application No. 30-2019-0058566 (M002).  
 KIPO; Notice of Allowance dated Dec. 1, 2020 in Application No. 30-2019-0061607.  
 KIPO; Office Action dated Jan. 26, 2021 in Application No. 30-2020-0005953 (M001).  
 KIPO; Office Action dated Jan. 26, 2021 in Application No. 30-2020-0005953 (M002).  
 KIPO; Notice of Allowance dated Dec. 23, 2020 in Application No. 30-2020-0006059.  
 KIPO; Notice of Allowance dated Dec. 25, 2020 in Application No. 30-2020-0006223.  
 KIPO; Notice of Allowance dated Feb. 1, 2021 in Application No. 30-2020-0006385.  
 KIPO; Notice of Allowance dated Feb. 1, 2021 in Application No. 30-2020-0006391.  
 TIPO; Office Action dated Aug. 30, 2013 in Application No. 97132391.  
 TIPO; Office Action dated Dec. 20, 2013 in Application No. 98117513.  
 TIPO; Notice of Allowance dated Jun. 12, 2014 in Application No. 98117513.  
 TIPO; Office Action dated Jul. 4, 2014 in Application No. 99110511.  
 TIPO; Notice of Allowance dated Feb. 24, 2016 in Application No. 99110511.  
 TIPO; Office Action dated Aug. 27, 2014 in Application No. 99114329.  
 TIPO; Notice of Allowance dated Jan. 28, 2015 in Application No. 99114329.  
 TIPO; Office Action dated Dec. 26, 2014 in Application No. 99114330.  
 TIPO; Notice of Allowance dated Apr. 28, 2015 in Application No. 99114330.

(56)

**References Cited**

## OTHER PUBLICATIONS

TIPO; Office Action dated Aug. 14, 2014 in Application No. 99114331.  
TIPO; Notice of Allowance dated Oct. 16, 2015 in Application No. 99114331.  
TIPO; Office Action dated Dec. 19, 2014 in Application No. 99127063.  
TIPO; Notice of Allowance dated Mar. 14, 2016 in Application No. 99127063.  
TIPO; Notice of Allowance dated Oct. 2, 2015 in Application No. 100130472.  
TIPO; Office Action dated Feb. 19, 2016 in Application No. 100113130.  
TIPO; Notice of Allowance dated Jun. 29, 2016 in Application No. 100113130.  
TIPO; Notice of Allowance dated Nov. 2, 2016 in Application No. 101142581.  
TIPO; Office Action dated Apr. 28, 2016 in Application No. 101142582.  
TIPO; Notice of Allowance dated Aug. 19, 2016 in Application No. 101142582.  
TIPO; Office Action dated Aug. 1, 2016 in Application No. 101124745.  
TIPO; Notice of Allowance dated Oct. 19, 2016 in Application No. 101124745.  
TIPO; Office Action dated Sep. 19, 2016 in Application No. 102113028.  
TIPO; Notice of Allowance dated Feb. 13, 2017 in Application No. 102113028.  
TIPO; Office Action dated Aug. 2016 in Application No. 102115605.  
TIPO; Office Action dated Feb. 24, 2017 in Application No. 102115605.  
TIPO; Notice of Allowance dated Dec. 26, 2017 in Application No. 102115605.  
TIPO; Office Action dated Nov. 15, 2016 in Application No. 102125191.  
TIPO; Office Action dated Jun. 20, 2017 in Application No. 102125191.  
TIPO; Notice of Allowance dated Feb. 20, 2020 in Application No. 102125191.  
TIPO; Office Action dated Dec. 6, 2016 in Application No. 102126071.  
TIPO; Office Action dated May 17, 2018 in Application No. 102126071.  
TIPO; Notice of Allowance dated Aug. 24, 2018 in Application No. 102126071.  
TIPO; Office Action dated Feb. 10, 2017 in Application No. 102127065.  
TIPO; Notice of Allowance dated Jul. 18, 2017 in Application No. 102127065.  
TIPO; Office Action dated Nov. 3, 2016 in Application No. 102129262.  
TIPO; Notice of Allowance dated Mar. 3, 2017 in Application No. 102129262.  
TIPO; Office Action dated Dec. 29, 2016 in Application No. 102129397.  
TIPO; Notice of Allowance dated Aug. 29, 2017 in Application No. 102129397.  
TIPO; Office Action dated Nov. 3, 2016 in Application No. 102131839.  
TIPO; Notice of Allowance dated Jan. 26, 2017 in Application No. 102131839.  
TIPO; Office Action dated Dec. 2, 2016 in Application No. 102136496.  
TIPO; Office Action dated Jan. 10, 2018 in Application No. 102136496.  
TIPO; Office Action dated Aug. 16, 2019 in Application No. 102136496.  
TIPO; Notice of Allowance dated Jan. 7, 2020 in Application No. 102136496.  
TIPO; Office Action dated Nov. 11, 2016 in Application No. 102132952.  
TIPO; Notice of Allowance dated Apr. 19, 2017 in Application No. 102132952.  
TIPO; Office Action dated Jul. 17, 2017 in Application No. 103101400.  
TIPO; Notice of Allowance dated Jan. 24, 2018 in Application No. 103101400.

TIPO; Office Action dated Feb. 23, 2017 in Application No. 103102563.  
TIPO; Notice of Allowance dated Nov. 30, 2017 in Application No. 103102563.  
TIPO; Office Action dated Mar. 3, 2017 in Application No. 103105251.  
TIPO; Notice of Allowance dated Oct. 20, 2017 in Application No. 103105251.  
TIPO; Office Action dated Nov. 1, 2017 in Application No. 103106021.  
TIPO; Notice of Allowance dated Apr. 10, 2018 in Application No. 103106021.  
TIPO; Office Action dated Oct. 31, 2017 in Application No. 103106022.  
TIPO; Notice of Allowance dated Apr. 10, 2018 in Application No. 103106022.  
TIPO; Office Action dated Jul. 5, 2017 in Application No. 103117477.  
TIPO; Notice of Allowance dated Jan. 22, 2018 in Application No. 103117477.  
TIPO; Office Action dated Nov. 22, 2017 in Application No. 103117478.  
TIPO; Notice of Allowance dated Mar. 13, 2018 in Application No. 103117478.  
TIPO; Office Action dated May 19, 2017 in Application No. 103120478.  
TIPO; Notice of Allowance dated Sep. 25, 2017 in Application No. 103120478.  
TIPO; Office Action dated Sep. 20, 2018 in Application No. 103123439.  
TIPO; Notice of Allowance dated Jul. 10, 2019 in Application No. 103123439.  
TIPO; Office Action dated Nov. 8, 2017 in Application No. 103124509.  
TIPO; Notice of Allowance dated Apr. 25, 2018 in Application No. 103124509.  
TIPO; Office Action dated Nov. 20, 2017 in Application No. 103127588.  
TIPO; Notice of Allowance dated Jun. 19, 2018 in Application No. 103127588.  
TIPO; Office Action dated Sep. 19, 2017 in Application No. 103127734.  
TIPO; Notice of Allowance dated Dec. 11, 2017 in Application No. 103127734.  
TIPO; Office Action dated Sep. 26, 2018 in Application No. 103132230.  
TIPO; Notice of Allowance dated Jan. 29, 2019 in Application No. 103132230.  
TIPO; Office Action dated Nov. 22, 2017 in Application No. 103134537.  
TIPO; Notice of Allowance dated Apr. 19, 2018 in Application No. 103134537.  
TIPO; Office Action dated Aug. 24, 2017 in Application No. 103136251.  
TIPO; Notice of Allowance dated Oct. 17, 2017 in Application No. 103136251.  
TIPO; Office Action dated Feb. 26, 2018 in Application No. 103138510.  
TIPO; Notice of Allowance dated Jun. 13, 2018 in Application No. 103138510.  
TIPO; Office Action dated May 21, 2018 in Application No. 103139014.  
TIPO; Notice of Allowance dated Sep. 11, 2018 in Application No. 103139014.  
TIPO; Office Action dated Jun. 22, 2018 in Application No. 104105533.  
TIPO; Office Action dated Feb. 22, 2019 in Application No. 104105533.  
TIPO; Notice of Allowance dated Sep. 27, 2019 in Application No. 104105533.  
TIPO; Office Action dated Nov. 19, 2018 in Application No. 104105965.  
TIPO; Notice of Allowance dated Sep. 23, 2019 in Application No. 104105965.  
TIPO; Office Action dated Jul. 9, 2018 in Application No. 104107876.  
TIPO; Notice of Allowance dated May 9, 2019 in Application No. 104107876.  
TIPO; Office Action dated Aug. 7, 2018 Application No. 104107888.

(56)

**References Cited**

## OTHER PUBLICATIONS

TIPO; Notice of Allowance dated Apr. 26, 2019 in Application No. 104107888.  
TIPO; Office Action dated May 6, 2019 in Application No. 104108277.  
TIPO; Office Action dated Jan. 17, 2020 in Application No. 104108277.  
TIPO; Office Action dated Jul. 9, 2018 in Application No. 104110326.  
TIPO; Notice of Allowance dated May 8, 2019 in Application No. 104110326.  
TIPO; Office Action dated Jun. 13, 2018 in Application No. 104111910.  
TIPO; Notice of Allowance dated Sep. 18, 2018 in Application No. 104111910.  
TIPO; Office Action dated Apr. 29, 2019 in Application No. 104122889.  
TIPO; Notice of Allowance dated Oct. 4, 2019 in Application No. 104122889.  
TIPO; Office Action dated Jan. 30, 2019 in Application No. 104122890.  
TIPO; Notice of Allowance dated Jul. 19, 2019 in Application No. 104122890.  
TIPO; Office Action dated Jul. 11, 2018 in Application No. 104124377.  
TIPO; Notice of Allowance dated Jun. 19, 2019 in Application No. 104124377.  
TIPO; Office Action dated Jan. 7, 2019 in Application No. 104132991.  
TIPO; Notice of Allowance dated Apr. 12, 2019 in Application No. 104132991.  
TIPO; Office Action dated Apr. 25, 2019 in Application No. 104141679.  
TIPO; Notice of Allowance dated Nov. 27, 2019 in Application No. 104141679.  
TIPO; Office Action dated Apr. 25, 2019 in Application No. 105101536.  
TIPO; Office Action dated Dec. 13, 2019 in Application No. 105101536.  
TIPO; Notice of Allowance dated May 4, 2020 in Application No. 105101536.  
TIPO; Office Action dated Nov. 06, 2019 in Application No. 105101537.  
TIPO; Notice of Allowance dated Jul. 1, 2020 in Application No. 105101537.  
TIPO; Notice of Allowance dated May 7, 2019 in Application No. 105104453.  
TIPO; Office Action dated Dec. 13, 2019 in Application No. 105111990.  
TIPO; Notice of Allowance dated Sep. 4, 2020 in Application No. 105111990.  
TIPO; Office Action dated Jul. 5, 2019 in Application No. 105112363.  
TIPO; Notice of Allowance dated Dec. 10, 2019 in Application No. 105112363.  
TIPO; Office Action dated Oct. 1, 2019 in Application No. 105114105.  
TIPO; Notice of Allowance dated Jan. 15, 2020 in Application No. 105114105.  
TIPO; Office Action dated Sep. 9, 2019 in Application No. 105115513.  
TIPO; Notice of Allowance dated Feb. 10, 2020 in Application No. 105115513.  
TIPO; Office Action dated Oct. 3, 2019 in Application No. 105119533.  
TIPO; Notice of Allowance dated Mar. 13, 2020 in Application No. 105119533.  
TIPO; Office Action dated Jan. 20, 2020 in Application No. 105122394.  
TIPO; Office Action dated Sep. 7, 2020 in Application No. 105122394.  
TIPO; Office Action dated Jan. 17, 2020 in Application No. 105122586.  
TIPO; Notice of Allowance dated Aug. 31, 2020 in Application No. 105122586.  
TIPO; Office Action dated Oct. 28, 2019 in Application No. 105122715.  
TIPO; Notice of Allowance dated Feb. 13, 2020 in Application No. 105122715.  
TIPO; Office Action dated Apr. 14, 2020 in Application No. 105129977.  
TIPO; Office Action dated Sep. 18, 2020 in Application No. 105129977.

TIPO; Office Action dated Mar. 17, 2020 in Application No. 105130130.  
TIPO; Notice of Allowance dated Sep. 25, 2020 in Application No. 105130130.  
TIPO; Office Action Received Aug. 25, 2020 in Application No. 105131284.  
TIPO; Office Action dated Aug. 25, 2020 in Application No. 105131896.  
TIPO; Office Action dated Dec. 2, 2020 in Application No. 105131896.  
TIPO; Office Action dated Sep. 30, 2020 in Application No. 105142668.  
TIPO; Notice of Allowance dated Jan. 29, 2021 in Application No. 105142668.  
TIPO; Notice of Allowance dated Dec. 5, 2017 in Application No. 105308015.  
TIPO; Notice of Allowance dated Apr. 11, 2018 in Application No. 105308015D01.  
TIPO; Office Action dated Aug. 11, 2020 in Application No. 106100823.  
TIPO; Office Action dated Jun. 17, 2020 in Application No. 106108152.  
TIPO; Notice of Allowance dated Dec. 10, 2020 in Application No. 106108152.  
TIPO; Office Action dated Oct. 7, 2020 in Application No. 106108522.  
TIPO; Office Action dated Aug. 21, 2020 in Application No. 106111548.  
TIPO; Notice of Allowance dated Jan. 25, 2021 in Application No. 106111548.  
TIPO; Office Action dated Oct. 8, 2020 in Application No. 106111693.  
TIPO; Office Action dated Sep. 30, 2020 in Application No. 106113604.  
TIPO; Office Action dated Jan. 6, 2021 in Application No. 106115126.  
TIPO; Office Action dated Nov. 6, 2017 in Application No. 106117181.  
TIPO; Notice of Allowance dated Jun. 5, 2018 in Application No. 106117181.  
TIPO; Office Action dated Sep. 28, 2018 in Application No. 106119537.  
TIPO; Office Action dated Jul. 15, 2020 in Application No. 106120365.  
TIPO; Office Action dated Nov. 12, 2020 in Application No. 106120365.  
TIPO; Office Action dated Nov. 18, 2020 in Application No. 106120902.  
TIPO; Office Action dated Dec. 21, 2020 in Application No. 106122231.  
TIPO; Office Action dated Oct. 8, 2020 in Application No. 106123203.  
TIPO; Office Action dated Dec. 29, 2020 in Application No. 106124126.  
TIPO; Office Action dated Dec. 9, 2020 in Application No. 106124128.  
TIPO; Office Action dated Jan. 25, 2021 in Application No. 106124129.  
TIPO; Office Action dated Dec. 9, 2020 in Application No. 106124130.  
TIPO; Office Action dated Dec. 26, 2018 in Application No. 106127690.  
TIPO; Office Action dated Jan. 20, 2021 in Application No. 106129491.  
TIPO; Office Action dated Feb. 8, 2021 in Application No. 106133152.  
TIPO; Office Action dated Aug. 31, 2018 in Application No. 106138119.  
TIPO; Office Action dated Jun. 25, 2018 in Application No. 106138800.  
TIPO; Office Action dated Jan. 7, 2019 in Application No. 106138800.  
TIPO; Notice of Allowance dated Sep. 20, 2019 in Application No. 106138800.  
TIPO; Office Action dated Oct. 3, 2018 in Application No. 106142731.  
TIPO; Office Action dated Sep. 28, 2018 in Application No. 107112951.  
TIPO; Office Action dated Aug. 27, 2019 in Application No. 107116804.  
TIPO; Notice of Allowance dated Jan. 16, 2020 in Application No. 107116804.  
TIPO; Office Action dated Nov. 20, 2018 in Application No. 107118271.  
TIPO; Office Action dated Jun. 4, 2019 in Application No. 107123992.  
TIPO; Office Action dated May 28, 2019 in Application No. 107125586.  
TIPO; Office Action dated Jan. 17, 2020 in Application No. 107127688.

(56)

**References Cited**

## OTHER PUBLICATIONS

- TIPO; Notice of Allowance dated Aug. 29, 2018 in Application No. 107300633.
- TIPO; Notice of Allowance dated Feb. 21, 2019 in Application No. 107303723.
- TIPO; Office Action dated Jun. 28, 2019 in Application No. 108102948.
- TIPO; Office Action dated Dec. 24, 2019 in Application No. 108105002.
- TIPO; Office Action dated Feb. 3, 2020 in Application No. 108114221.
- TIPO; Office Action dated Nov. 13, 2019 in Application No. 108115406.
- TIPO; Office Action dated Feb. 21, 2020 in Application No. 108120947.
- TIPO; Notice of Allowance dated Mar. 12, 2020 in Application No. 108129100.
- TIPO; Office Action dated Jun. 24, 2020 in Application No. 108135004.
- TIPO; Office Action dated Jun. 29, 2020 in Application No. 108137226.
- TIPO; Office Action dated Jul. 9, 2020 in Application No. 108137227.
- TIPO; Office Action dated Aug. 17, 2020 in Application No. 108139018.
- TIPO; Notice of Allowance dated Oct. 19, 2020 in Application No. 108306935.
- TIPO; Notice of Allowance dated Oct. 19, 2020 in Application No. 108306935D01.
- TIPO; Notice of Allowance dated Jul. 15, 2020 in Application No. 108307027.
- TIPO; Notice of Allowance dated Oct. 19, 2020 in Application No. 108307027D01.
- TIPO; Notice of Allowance dated Sep. 15, 2020 in Application No. 108307301.
- TIPO; Notice of Allowance dated Nov. 24, 2020 in Application No. 108307599.
- TIPO; Notice of Allowance dated Jan. 11, 2021 in Application No. 108307599D01.
- TIPO; Notice of Allowance dated Sep. 25, 2020 in Application No. 108307759.
- TIPO; Notice of Allowance dated Jan. 11, 2021 in Application No. 109300591.
- TIPO; Notice of Allowance dated Jan. 11, 2021 in Application No. 109300593.
- TIPO; Office Action dated Jan. 11, 2021 in Application No. 109300594.
- USPTO; Non-Final Office Action dated Mar. 28, 2001 in U.S. Appl. No. 09/452,844.
- USPTO; Final Office Action dated Sep. 11, 2001 in U.S. Appl. No. 09/452,844.
- USPTO; Advisory Action dated Jan. 24, 2002 in U.S. Appl. No. 09/452,844.
- USPTO; Non-Final Office Action dated Apr. 9, 2002 in U.S. Appl. No. 09/452,844.
- USPTO; Final Office Action dated Sep. 27, 2002 in U.S. Appl. No. 09/452,844.
- USPTO; Notice of Allowance dated Jun. 17, 2003 in U.S. Appl. No. 09/452,844.
- USPTO; Non-Final Office Action dated Oct. 31, 2003 in U.S. Appl. No. 09/452,844.
- USPTO; Notice of Allowance dated Mar. 26, 2004 in U.S. Appl. No. 09/452,844.
- USPTO; Non-Final Office Action dated Dec. 10, 2002 in U.S. Appl. No. 09/771,673.
- USPTO; Final Office Action dated May 29, 2003 in U.S. Appl. No. 09/771,673.
- USPTO; Final Office Action dated Feb. 6, 2004 in U.S. Appl. No. 09/771,673.
- USPTO; Advisory Action dated Apr. 20, 2004 in U.S. Appl. No. 09/771,673.
- USPTO; Notice of Allowance dated Jul. 29, 2004 in U.S. Appl. No. 09/771,673.
- USPTO; Non-Final Office Action dated Jan. 3, 2002 in U.S. Appl. No. 09/807,580.
- USPTO; Final Office Action dated Jun. 21, 2002 in U.S. Appl. No. 09/807,580.
- USPTO; Advisory Action dated Aug. 27, 2002 in U.S. Appl. No. 09/807,580.
- USPTO; Non-Final Action dated Nov. 27, 2002 in U.S. Appl. No. 09/807,580.
- USPTO; Final Office Action dated May 27, 2003 in U.S. Appl. No. 09/807,580.
- USPTO; Advisory Action dated Oct. 22, 2003 in U.S. Appl. No. 09/807,580.
- USPTO; Examiner's Answer to Appeal Brief dated May 6, 2004 in U.S. Appl. No. 09/807,580.
- USPTO; Decision on Appeal dated Feb. 16, 2005 in U.S. Appl. No. 09/807,580.
- USPTO; Non-Final Action dated May 19, 2005 in U.S. Appl. No. 09/807,580.
- USPTO; Final Action dated Nov. 21, 2005 in U.S. Appl. No. 09/807,580.
- USPTO; Notice of Allowance dated Feb. 23, 2006 in U.S. Appl. No. 09/807,580.
- USPTO; Notice of Allowance dated Jul. 26, 2005 in U.S. Appl. No. 10/033,058.
- USPTO; Non-Final Office Action dated Aug. 25, 2005 in U.S. Appl. No. 10/191,635.
- USPTO; Final Office Action dated Apr. 25, 2006 in U.S. Appl. No. 10/191,635.
- USPTO; Non-Final Office Action dated Nov. 20, 2006 in U.S. Appl. No. 10/191,635.
- USPTO; Notice of Allowance dated May 21, 2007 in U.S. Appl. No. 10/191,635.
- USPTO; Notice of Allowance dated Feb. 20, 2008 in U.S. Appl. No. 10/191,635.
- USPTO; Non-Final Office Action dated May 13, 2003 in U.S. Appl. No. 10/222,229.
- USPTO; Non-Final Office Action dated Oct. 22, 2003 in U.S. Appl. No. 10/222,229.
- USPTO; Final Office Action dated Mar. 22, 2004 in U.S. Appl. No. 10/222,229.
- USPTO; Advisory Action dated Oct. 7, 2004 in U.S. Appl. No. 10/222,229.
- USPTO; Non-Final Office Action dated Dec. 22, 2004 in U.S. Appl. No. 10/222,229.
- USPTO; Final Office Action dated Jun. 20, 2005 in U.S. Appl. No. 10/222,229.
- USPTO; Advisory Action dated Nov. 16, 2005 in U.S. Appl. No. 10/222,229.
- USPTO; Notice of Allowance dated Mar. 8, 2006 in U.S. Appl. No. 10/222,229.
- USPTO; Non-Final Office Action dated Feb. 9, 2004 in U.S. Appl. No. 10/603,515.
- USPTO; Notice of Allowance dated Jun. 18, 2004 in U.S. Appl. No. 10/603,515.
- USPTO; Non-Final Office Action dated Jan. 26, 2005 in U.S. Appl. No. 10/838,510.
- USPTO; Notice of Allowance dated Jul. 12, 2005 in U.S. Appl. No. 10/838,510.
- USPTO; Non-Final Office Action dated Oct. 17, 2006 in U.S. Appl. No. 10/932,633.
- USPTO; Non-Final Office Action dated Apr. 19, 2007 in U.S. Appl. No. 10/932,633.
- USPTO; Notice of Allowance dated Sep. 10, 2007 in U.S. Appl. No. 10/932,633.
- USPTO; Office Action dated Feb. 15, 2011 in U.S. Appl. No. 12/118,596.
- USPTO; Notice of Allowance dated Aug. 4, 2011 in U.S. Appl. No. 12/118,596.
- USPTO; Non-Final Office Action dated Apr. 28, 2010 U.S. Appl. No. 12/121,085.
- USPTO; Notice of Allowance dated Jul. 26, 2010 in U.S. Appl. No. 12/121,085.
- USPTO; Notice of Allowance dated Oct. 4, 2010 in U.S. Appl. No. 12/121,085.

(56)

**References Cited**

## OTHER PUBLICATIONS

- USPTO; Non-Final Office Action dated Sep. 13, 2010 in U.S. Appl. No. 12/140,809.
- USPTO; Final Office Action dated Dec. 28, 2010 in U.S. Appl. No. 12/140,809.
- USPTO; Notice of Allowance dated Mar. 17, 2011 in U.S. Appl. No. 12/140,809.
- USPTO; Non-Final Office Action dated Mar. 15, 2011 in U.S. Appl. No. 12/193,924.
- USPTO; Foma; Office Action dated Sep. 30, 2011 in U.S. Appl. No. 12/193,924.
- USPTO; Non-Final Office Action dated Oct. 24, 2012 in U.S. Appl. No. 12/193,924.
- USPTO; Final Office Action dated Apr. 17, 2013 in U.S. Appl. No. 12/193,924.
- USPTO; Advisory Action dated Jul. 9, 2013 in U.S. Appl. No. 12/193,924.
- USPTO; Non-Final Office Action dated Jul. 28, 2011 in U.S. Appl. No. 12/330,096.
- USPTO; Final Office Action dated Jan. 13, 2012 in U.S. Appl. No. 12/330,096.
- USPTO; Notice of Allowance dated Mar. 6, 2012 in U.S. Appl. No. 12/330,096.
- USPTO; Non-Final Office Action dated Mar. 20, 2012 in U.S. Appl. No. 12/330,096.
- USPTO; Notice of Allowance dated Jun. 7, 2012 in U.S. Appl. No. 12/330,096.
- USPTO; Non-Final Office Action dated Apr. 1, 2010 in U.S. Appl. No. 12/357,174.
- USPTO; Final Office Action dated Sep. 1, 2010 in U.S. Appl. No. 12/357,174.
- USPTO; Notice of Allowance dated Dec. 13, 2010 in U.S. Appl. No. 12/357,174.
- USPTO; Non-Final Office Action dated Dec. 29, 2010 in U.S. Appl. No. 12/362,023.
- USPTO; Non-Final Office Action dated Jul. 26, 2011 in U.S. Appl. No. 12/416,809.
- USPTO; Final Office Action dated Dec. 6, 2011 in U.S. Appl. No. 12/416,809.
- USPTO; Notice of Allowance dated Apr. 2, 2012 in U.S. Appl. No. 12/416,809.
- USPTO; Advisory Action dated Feb. 3, 2012 in U.S. Appl. No. 12/416,809.
- USPTO; Notice of Allowance dated Jun. 16, 2011 in U.S. Appl. No. 12/430,751.
- USPTO; Notice of Allowance dated Jul. 27, 2011 in U.S. Appl. No. 12/430,751.
- USPTO; Non-Final Office Action dated Aug. 3, 2011 in U.S. Appl. No. 12/436,300.
- USPTO; Final Office Action dated Jan. 23, 2012 in U.S. Appl. No. 12/436,300.
- USPTO; Advisory Action dated Mar. 6, 2012 in U.S. Appl. No. 12/436,300.
- USPTO; Non-Final Office Action dated May 22, 2012 in U.S. Appl. No. 12/436,300.
- USPTO; Notice of Allowance dated Nov. 28, 2012 in U.S. Appl. No. 12/436,300.
- USPTO; Non-Final Office Action dated Apr. 11, 2012 in U.S. Appl. No. 12/436,306.
- USPTO; Final Office Action dated Sep. 26, 2012 in U.S. Appl. No. 12/436,306.
- USPTO; Non-Final Office Action dated May 31, 2013 in U.S. Appl. No. 12/436,306.
- USPTO; Final Office Action dated Oct. 17, 2013 in U.S. Appl. No. 12/436,306.
- USPTO; Non-Final Office Action dated Feb. 4, 2014 in U.S. Appl. No. 12/436,306.
- USPTO; Final Office Action dated Jun. 23, 2014 in U.S. Appl. No. 12/436,306.
- USPTO; Advisory Action dated Oct. 1, 2014 in U.S. Appl. No. 12/436,306.
- USPTO; Non-Final Office Action dated Feb. 3, 2015 in U.S. Appl. No. 12/436,306.
- USPTO; Final Office Action dated May 13, 2015 in U.S. Appl. No. 12/436,306.
- USPTO; Non-Final Office Action dated Oct. 14, 2015 in U.S. Appl. No. 12/436,306.
- USPTO; Final Office Action dated Dec. 31, 2015 in U.S. Appl. No. 12/436,306.
- USPTO; Notice of Allowance dated Feb. 3, 2016 in U.S. Appl. No. 12/436,306.
- USPTO; Non-Final Office Action dated Aug. 3, 2011 in U.S. Appl. No. 12/436,315.
- USPTO; Notice of Allowance dated Nov. 17, 2011 in U.S. Appl. No. 12/436,315.
- USPTO; Notice of Allowance dated Oct. 1, 2010 in U.S. Appl. No. 12/467,017.
- USPTO; Non-Final Office Action dated Mar. 18, 2010 in U.S. Appl. No. 12/489,252.
- USPTO; Notice of Allowance dated Sep. 2, 2010 in U.S. Appl. No. 12/489,252.
- USPTO; Non-Final Office Action dated Dec. 15, 2010 in U.S. Appl. No. 12/553,759.
- USPTO; Final Office Action dated May 4, 2011 in U.S. Appl. No. 12/553,759.
- USPTO; Advisory Action dated Jul. 13, 2011 in U.S. Appl. No. 12/553,759.
- USPTO; Non-Final Office Action dated Sep. 6, 2011 in U.S. Appl. No. 12/553,759.
- USPTO; Notice of Allowance dated Jan. 27, 2012 in U.S. Appl. No. 12/553,759.
- USPTO; Non-Final Office Action dated Oct. 19, 2012 in U.S. Appl. No. 12/618,355.
- USPTO; Final Office Action dated May 8, 2013 in U.S. Appl. No. 12/618,355.
- USPTO; Advisory Action dated Jul. 23, 2013 in U.S. Appl. No. 12/618,355.
- USPTO; Non-Final Office Action dated Apr. 8, 2015 in U.S. Appl. No. 12/618,355.
- USPTO; Final Office Action dated Oct. 22, 2015 in U.S. Appl. No. 12/618,355.
- USPTO; Advisory Action dated Mar. 4, 2016 in U.S. Appl. No. 12/618,355.
- USPTO; Non-Final Office Action dated Jun. 30, 2016 in U.S. Appl. No. 12/618,355.
- USPTO; Final Office Action dated Feb. 10, 2017 in U.S. Appl. No. 12/618,355.
- USPTO; Advisory Action dated May 16, 2017 in U.S. Appl. No. 12/618,355.
- USPTO; Non-Final Office Action dated Nov. 29, 2017 in U.S. Appl. No. 12/618,355.
- USPTO; Final Office Action dated Aug. 10, 2018 in U.S. Appl. No. 12/618,355.
- USPTO; Notice of Allowance dated Apr. 4, 2019 in U.S. Appl. No. 12/618,355.
- USPTO; Non-Final Office Action dated Feb. 16, 2012 in U.S. Appl. No. 12/618,419.
- USPTO; Final Office Action dated Jun. 22, 2012 in U.S. Appl. No. 12/618,419.
- USPTO; Non-Final Office Action dated Nov. 27, 2012 in U.S. Appl. No. 12/618,419.
- USPTO; Advisory Action dated Aug. 9, 2012 in U.S. Appl. No. 12/618,419.
- USPTO; Notice of Allowance dated Apr. 12, 2013 in U.S. Appl. No. 12/618,419.
- USPTO; Non-Final Office Action dated Jun. 12, 2013 in U.S. Appl. No. 12/618,419.
- USPTO; Notice of Allowance dated Oct. 9, 2013 in U.S. Appl. No. 12/618,419.
- USPTO; Non-Final Office Action dated Dec. 6, 2011 in U.S. Appl. No. 12/718,731.

(56)

**References Cited**

## OTHER PUBLICATIONS

- USPTO; Notice of Allowance dated Mar. 16, 2012 in U.S. Appl. No. 12/718,731.
- USPTO; Office Action dated Feb. 26, 2013 in U.S. Appl. No. 12/754,223.
- USPTO; Final Office Action dated Jun. 28, 2013 in U.S. Appl. No. 12/754,223.
- USPTO; Office Action dated Feb. 25, 2014 in U.S. Appl. No. 12/754,223.
- USPTO; Final Office Action dated Jul. 14, 2014 in U.S. Appl. No. 12/754,223.
- USPTO; Non-Final Office Action dated Mar. 25, 2015 in U.S. Appl. No. 12/754,223.
- USPTO; Final Office Action dated Aug. 12, 2015 in U.S. Appl. No. 12/754,223.
- USPTO; Notice of Allowance dated May 23, 2016 in U.S. Appl. No. 12/754,223.
- USPTO; Office Action dated Apr. 23, 2013 in U.S. Appl. No. 12/763,037.
- USPTO; Final Office Action dated Oct. 21, 2013 in U.S. Appl. No. 12/763,037.
- USPTO; Office Action dated Oct. 8, 2014 in U.S. Appl. No. 12/763,037.
- USPTO; Notice of Allowance dated Jan. 27, 2015 in U.S. Appl. No. 12/763,037.
- USPTO; Non-Final Office Action dated Jan. 24, 2011 in U.S. Appl. No. 12/778,808.
- USPTO; Notice of Allowance dated May 9, 2011 in U.S. Appl. No. 12/778,808.
- USPTO; Notice of Allowance dated Oct. 12, 2012 in U.S. Appl. No. 12/832,739.
- USPTO; Non-Final Office Action dated Oct. 16, 2012 in U.S. Appl. No. 12/847,848.
- USPTO; Final Office Action dated Apr. 22, 2013 in U.S. Appl. No. 12/847,848.
- USPTO; Advisory Action dated Jul. 1, 2013 in U.S. Appl. No. 12/847,848.
- USPTO; Notice of Allowance dated Jan. 16, 2014 in U.S. Appl. No. 12/847,848.
- USPTO; Office Action dated Dec. 6, 2012 in U.S. Appl. No. 12/854,818.
- USPTO; Final Office Action dated Mar. 13, 2013 in U.S. Appl. No. 12/854,818.
- USPTO; Office Action dated Aug. 30, 2013 in U.S. Appl. No. 12/854,818.
- USPTO; Final Office Action dated Mar. 26, 2014 in U.S. Appl. No. 12/854,818.
- USPTO; Office Action dated Jun. 3, 2014 in U.S. Appl. No. 12/854,818.
- USPTO; Non-Final Office Action dated Jul. 11, 2012 in U.S. Appl. No. 12/875,889.
- USPTO; Notice of Allowance dated Jan. 4, 2013 in U.S. Appl. No. 12/875,889.
- USPTO; Notice of Allowance dated Jan. 9, 2012 in U.S. Appl. No. 12/901,323.
- USPTO; Non-Final Office Action dated Nov. 20, 2013 in U.S. Appl. No. 12/910,607.
- USPTO; Final Office Action dated Apr. 28, 2014 in U.S. Appl. No. 12/910,607.
- USPTO; Advisory Action dated Jul. 9, 2014 in U.S. Appl. No. 12/910,607.
- USPTO; Notice of Allowance dated Aug. 15, 2014 in U.S. Appl. No. 12/910,607.
- USPTO; Non-Final Office Action dated Oct. 24, 2012 in U.S. Appl. No. 12/940,906.
- USPTO; Final Office Action dated Feb. 13, 2013 in U.S. Appl. No. 12/940,906.
- USPTO; Notice of Allowance dated Apr. 23, 2013 in U.S. Appl. No. 12/940,906.
- USPTO; Non-Final Office Action dated Dec. 7, 2012 in U.S. Appl. No. 12/953,870.
- USPTO; Final Office Action dated Apr. 22, 2013 in U.S. Appl. No. 12/953,870.
- USPTO; Advisory Action dated Jul. 8, 2013 in U.S. Appl. No. 12/953,870.
- USPTO; Non-Final Office Action dated Aug. 28, 2013 in U.S. Appl. No. 12/953,870.
- USPTO; Final Office Action dated Apr. 17, 2014 in U.S. Appl. No. 12/953,870.
- USPTO; Non-Final Office Action dated Sep. 19, 2012 in U.S. Appl. No. 13/016,735.
- USPTO; Final Office Action dated Feb. 11, 2013 in U.S. Appl. No. 13/016,735.
- USPTO; Notice of Allowance dated Apr. 24, 2013 in U.S. Appl. No. 13/016,735.
- USPTO; Non-Final Office Action dated Apr. 4, 2012 in U.S. Appl. No. 13/030,438.
- USPTO; Final Office Action dated Aug. 22, 2012 in U.S. Appl. No. 13/030,438.
- USPTO; Notice of Allowance dated Oct. 24, 2012 in U.S. Appl. No. 13/030,438.
- USPTO; Non-Final Office Action dated Dec. 3, 2012 in U.S. Appl. No. 13/040,013.
- USPTO; Notice of Allowance dated May 3, 2013 in U.S. Appl. No. 13/040,013.
- USPTO; Non-Final Office Action dated Feb. 15, 2012 in U.S. Appl. No. 13/085,531.
- USPTO; Notice of Allowance dated Jul. 12, 2012 in U.S. Appl. No. 13/085,531.
- USPTO; Notice of Allowance dated Sep. 13, 2012 in U.S. Appl. No. 13/085,698.
- USPTO; Non-Final Office Action dated Mar. 29, 2013 in U.S. Appl. No. 13/094,402.
- USPTO; Final Office Action dated Jul. 17, 2013 in U.S. Appl. No. 13/094,402.
- USPTO; Notice of Allowance dated Sep. 30, 2013 in U.S. Appl. No. 13/094,402.
- USPTO; Office Action dated Oct. 7, 2013 in U.S. Appl. No. 13/102,980.
- USPTO; Final Office Action dated Mar. 25, 2014 in U.S. Appl. No. 13/102,980.
- USPTO; Advisory Action dated Jun. 12, 2014 in U.S. Appl. No. 13/102,980.
- USPTO; Notice of Allowance dated Jul. 3, 2014 in U.S. Appl. No. 13/102,980.
- USPTO; Notice of Allowance dated Sep. 17, 2014 in U.S. Appl. No. 13/102,980.
- USPTO; Non-Final Office Action dated Jul. 17, 2014 in U.S. Appl. No. 13/154,271.
- USPTO; Final Office Action dated Jan. 2, 2015 in U.S. Appl. No. 13/154,271.
- USPTO; Non-Final Office Action dated May 27, 2015 in U.S. Appl. No. 13/154,271.
- USPTO; Final Office Action dated Nov. 23, 2015 in U.S. Appl. No. 13/154,271.
- USPTO; Notice of Allowance dated Feb. 10, 2016 in U.S. Appl. No. 13/154,271.
- USPTO; Non-Final Office Action dated Jun. 27, 2016 in U.S. Appl. No. 13/166,367.
- USPTO; Final Office Action dated Dec. 30, 2016 in U.S. Appl. No. 13/166,367.
- USPTO; Advisory Action dated Apr. 21, 2017 in U.S. Appl. No. 13/166,367.
- USPTO; Notice of Allowance dated Jun. 28, 2017 in U.S. Appl. No. 13/166,367.
- USPTO; Non-Final Office Action dated Oct. 27, 2014 in U.S. Appl. No. 13/169,951.
- USPTO; Final Office Action dated May 26, 2015 in U.S. Appl. No. 13/169,951.
- USPTO; Non-Final Office Action dated Sep. 1, 2015 in U.S. Appl. No. 13/169,951.

(56)

**References Cited**

## OTHER PUBLICATIONS

USPTO; Final Office Action dated Mar. 3, 2016 in U.S. Appl. No. 13/169,951.  
USPTO; Non-Final Office Action dated Jun. 9, 2016 in U.S. Appl. No. 13/169,951.  
USPTO; Final Office Action dated Dec. 9, 2016 in U.S. Appl. No. 13/169,951.  
USPTO; Advisory Action dated May 13, 2016 in U.S. Appl. No. 13/169,951.  
USPTO; Advisory Action dated Feb. 15, 2017 in U.S. Appl. No. 13/169,951.  
USPTO; Non-Final Office Action dated Apr. 26, 2017 in U.S. Appl. No. 13/169,951.  
USPTO; Final Office Action dated Nov. 2, 2017 in U.S. Appl. No. 13/169,951.  
USPTO; Advisory Action dated Feb. 8, 2018 in U.S. Appl. No. 13/169,951.  
USPTO; Non-Final Office Action dated Apr. 6, 2018 in U.S. Appl. No. 13/169,951.  
USPTO; Final Office Action dated Nov. 2, 2018 in U.S. Appl. No. 13/169,951.  
USPTO; Advisory Action dated Feb. 4, 2019 in U.S. Appl. No. 13/169,951.  
USPTO; Notice of Allowance dated Apr. 4, 2019 in U.S. Appl. No. 13/169,951.  
USPTO; Non-Final Office Action dated Jun. 24, 2014 in U.S. Appl. No. 13/181,407.  
USPTO; Final Office Action dated Sep. 24, 2014 in U.S. Appl. No. 13/181,407.  
USPTO; Advisory Action dated Dec. 17, 2014 in U.S. Appl. No. 13/181,407.  
USPTO; Non-Final Office Action dated Jan. 2, 2015 in U.S. Appl. No. 13/181,407.  
USPTO; Final Office Action dated Apr. 8, 2015 in U.S. Appl. No. 13/181,407.  
USPTO; Non-Final Office Action dated Jan. 23, 2013 in U.S. Appl. No. 13/184,351.  
USPTO; Final Office Action dated Jul. 29, 2013 in U.S. Appl. No. 13/184,351.  
USPTO; Advisory Action dated Nov. 7, 2013 in U.S. Appl. No. 13/184,351.  
USPTO; Non-Final Office Action dated Jul. 16, 2014 in U.S. Appl. No. 13/184,351.  
USPTO; Final Office Action dated Feb. 17, 2015 in U.S. Appl. No. 13/184,351.  
USPTO; Advisory Action dated May 18, 2015 in U.S. Appl. No. 13/184,351.  
USPTO; Non-Final Office Action dated Aug. 10, 2015 in U.S. Appl. No. 13/184,351.  
USPTO; Final Office Action dated Feb. 12, 2016 in U.S. Appl. No. 13/184,351.  
USPTO; Non-Final Office Action dated Dec. 15, 2016 in U.S. Appl. No. 13/184,351.  
USPTO; Final Office Action dated Jun. 15, 2017 in U.S. Appl. No. 13/184,351.  
USPTO; Advisory Action dated Oct. 4, 2017 in U.S. Appl. No. 13/184,351.  
USPTO; Non-Final Office Action dated Jul. 26, 2018 in U.S. Appl. No. 13/184,351.  
USPTO; Final Office Action dated Dec. 28, 2018 in U.S. Appl. No. 13/184,351.  
USPTO; Non-Final Office Action dated Aug. 19, 2019 in U.S. Appl. No. 13/184,351.  
USPTO; Notice of Allowance dated Jul. 6, 2020 in U.S. Appl. No. 13/184,351.  
USPTO; Non-Final Office Action dated Sep. 17, 2014 in U.S. Appl. No. 13/187,300.  
USPTO; Final Office Action dated Apr. 15, 2015 in U.S. Appl. No. 13/187,300.

USPTO; Non-Final Office Action dated Apr. 7, 2016 in U.S. Appl. No. 13/187,300.  
USPTO; Final Office Acton dated Sep. 23, 2016 in U.S. Appl. No. 13/187,300.  
USPTO; Non-Final Office Action dated Jan. 30, 2017 in U.S. Appl. No. 13/187,300.  
USPTO; Final Office Action dated Aug. 9, 2017 in U.S. Appl. No. 13/187,300.  
USPTO; Examiner's Answer to Appeal Brief dated Apr. 20, 2018 in U.S. Appl. No. 13/187,300.  
USPTO; Patent Board Decision dated Sep. 23, 2019 in U.S. Appl. No. 13/187,300.  
USPTO; Non-Final Office Action dated Oct. 1, 2012 in U.S. Appl. No. 13/191,762.  
USPTO; Final Office Action dated Apr. 10, 2013 in U.S. Appl. No. 13/191,762.  
USPTO; Notice of Allowance dated Aug. 15, 2013 in U.S. Appl. No. 13/191,762.  
USPTO; Non-Final Office Action dated Oct. 22, 2012 in U.S. Appl. No. 13/238,960.  
USPTO; Final Office Action dated May 3, 2013 in U.S. Appl. No. 13/238,960.  
USPTO; Non-Final Office Action dated Apr. 26, 2013 in U.S. Appl. No. 13/250,721.  
USPTO; Notice of Allowance dated Sep. 11, 2013 in U.S. Appl. No. 13/250,721.  
USPTO; Non-Final Office Action dated Jul. 2, 2014 in U.S. Appl. No. 13/283,408.  
USPTO; Final Office Action dated Jan. 29, 2015 in U.S. Appl. No. 13/283,408.  
USPTO; Non-Final Office Action dated Jun. 17, 2015 in U.S. Appl. No. 13/283,408.  
USPTO; Final Office Action dated Dec. 18, 2015 in U.S. Appl. No. 13/283,408.  
USPTO; Advisory Action dated Mar. 28, 2016 in U.S. Appl. No. 13/283,408.  
USPTO; Notice of Allowance dated Mar. 28, 2016 in U.S. Appl. No. 13/283,408.  
USPTO; Non-Final Office Action dated Jul. 30, 2014 in U.S. Appl. No. 13/284,642.  
USPTO; Notice of Allowance dated Feb. 11, 2015 in U.S. Appl. No. 13/284,642.  
USPTO; Non-Final Office Action dated Jan. 28, 2014 in U.S. Appl. No. 13/312,591.  
USPTO; Final Office Action dated May 14, 2014 in U.S. Appl. No. 13/312,591.  
USPTO; Advisory Action dated Aug. 26, 2014 in U.S. Appl. No. 13/312,591.  
USPTO; Non-Final Office Action dated Nov. 26, 2014 in U.S. Appl. No. 13/312,591.  
USPTO; Final Office Action dated Mar. 20, 2015 in U.S. Appl. No. 13/312,591.  
USPTO; Notice of Allowance dated May 14, 2015 in U.S. Appl. No. 13/312,591.  
USPTO; Notice of Allowance dated Jun. 11, 2015 in U.S. Appl. No. 13/312,591.  
USPTO; Non-Final Office Action dated Apr. 9, 2014 in U.S. Appl. No. 13/333,420.  
USPTO; Notice of Allowance dated Sep. 15, 2014 in U.S. Appl. No. 13/333,420.  
USPTO; Office Action dated Feb. 11, 2013 in U.S. Appl. No. 13/339,609.  
USPTO; Final Office Action dated May 17, 2013 in U.S. Appl. No. 13/339,609.  
USPTO; Office Action dated Aug. 29, 2013 in U.S. Appl. No. 13/339,609.  
USPTO; Final Office Action dated Dec. 18, 2013 in U.S. Appl. No. 13/339,609.  
USPTO; Notice of Allowance dated Apr. 7, 2014 in U.S. Appl. No. 13/339,609.  
USPTO; Non-Final Office Action dated Oct. 10, 2012 in U.S. Appl. No. 13/406,791.

(56)

**References Cited**

## OTHER PUBLICATIONS

- USPTO; Final Office Action dated Jan. 31, 2013 in U.S. Appl. No. 13/406,791.
- USPTO; Advisory Action dated Mar. 27, 2013 in U.S. Appl. No. 13/406,791.
- USPTO; Non-Final Office Action dated Apr. 25, 2013 in U.S. Appl. No. 13/406,791.
- USPTO; Final Office Action dated Aug. 23, 2013 in U.S. Appl. No. 13/406,791.
- USPTO; Advisory Action dated Oct. 29, 2013 in U.S. Appl. No. 13/406,791.
- USPTO; Non-Final Office Action dated Dec. 4, 2013 in U.S. Appl. No. 13/406,791.
- USPTO; Final Office Action dated Apr. 21, 2014 in U.S. Appl. No. 13/406,791.
- USPTO; Non-Final Office Action dated Jan. 14, 2013 in U.S. Appl. No. 13/410,970.
- USPTO; Notice of Allowance dated Feb. 14, 2013 in U.S. Appl. No. 13/410,970.
- USPTO; Non-Final Office Action dated Feb. 13, 2014 in U.S. Appl. No. 13/411,271.
- USPTO; Non-Final Office Action dated Jul. 31, 2014 in U.S. Appl. No. 13/411,271.
- USPTO; Advisory Action dated Apr. 22, 2015 in U.S. Appl. No. 13/411,271.
- USPTO; Final Office Action dated Jan. 16, 2015 in U.S. Appl. No. 13/411,271.
- USPTO; Notice of Allowance dated Oct. 6, 2015 in U.S. Appl. No. 13/411,271.
- USPTO; Office Action dated Feb. 4, 2014 in U.S. Appl. No. 13/439,528.
- USPTO; Final Office Action dated Jul. 8, 2014 in U.S. Appl. No. 13/439,528.
- USPTO; Notice of Allowance dated Oct. 21, 2014 in U.S. Appl. No. 13/439,528.
- USPTO; Non-Final Office Action dated Apr. 11, 2013 in U.S. Appl. No. 13/450,368.
- USPTO; Notice of Allowance dated Jul. 17, 2013 in U.S. Appl. No. 13/450,368.
- USPTO; Non-Final Office Action dated May 23, 2013 in U.S. Appl. No. 13/465,340.
- USPTO; Final Office Action dated Oct. 30, 2013 in U.S. Appl. No. 13/465,340.
- USPTO; Notice of Allowance dated Feb. 12, 2014 in U.S. Appl. No. 13/465,340.
- USPTO; Non-Final Office Action dated Oct. 17, 2013 in U.S. Appl. No. 13/493,897.
- USPTO; Notice of Allowance dated Mar. 20, 2014 in U.S. Appl. No. 13/493,897.
- USPTO; Non-Final Office Action dated Dec. 20, 2013 in U.S. Appl. No. 13/535,214.
- USPTO; Final Office Action dated Jun. 18, 2014 in U.S. Appl. No. 13/535,214.
- USPTO; Notice of Allowance dated Oct. 23, 2014 in U.S. Appl. No. 13/535,214.
- USPTO; Non-Final Office Action dated Sep. 11, 2013 in U.S. Appl. No. 13/550,419.
- USPTO; Final Office Action dated Jan. 27, 2014 in U.S. Appl. No. 13/550,419.
- USPTO; Advisory Action dated Mar. 31, 2014 in U.S. Appl. No. 13/550,419.
- USPTO; Notice of Allowance dated May 29, 2014 in U.S. Appl. No. 13/550,419.
- USPTO; Non-Final Office Action dated Aug. 8, 2014 in U.S. Appl. No. 13/563,066.
- USPTO; Final Office Action dated Feb. 12, 2015 in U.S. Appl. No. 13/563,066.
- USPTO; Advisory Action dated Apr. 16, 2015 in U.S. Appl. No. 13/563,066.
- USPTO; Notice of Allowance dated Jun. 12, 2015 in U.S. Appl. No. 13/563,066.
- USPTO; Notice of Allowance dated Jul. 16, 2015 in U.S. Appl. No. 13/563,066.
- USPTO; Non-Final Office Action dated May 28, 2013 in U.S. Appl. No. 13/563,274.
- USPTO; Notice of Allowance dated Sep. 27, 2013 in U.S. Appl. No. 13/563,274.
- USPTO; Non-Final Office Action dated Nov. 7, 2013 in U.S. Appl. No. 13/565,564.
- USPTO; Final Office Action dated Feb. 28, 2014 in U.S. Appl. No. 13/565,564.
- USPTO; Advisory Action dated May 5, 2014 in U.S. Appl. No. 13/565,564.
- USPTO; Non-Final Office Action dated Jul. 2, 2014 in U.S. Appl. No. 13/565,564.
- USPTO; Notice of Allowance dated Nov. 3, 2014 in U.S. Appl. No. 13/565,564.
- USPTO; Notice of Allowance dated Sep. 13, 2013 in U.S. Appl. No. 13/566,069.
- USPTO; Non-Final Office Action dated Aug. 30, 2013 in U.S. Appl. No. 13/570,067.
- USPTO; Notice of Allowance dated Jan. 6, 2014 in U.S. Appl. No. 13/570,067.
- USPTO; Non-Final Office Action dated Oct. 15, 2014 in U.S. Appl. No. 13/597,043.
- USPTO; Final Office Action dated Mar. 13, 2015 in U.S. Appl. No. 13/597,043.
- USPTO; Notice of Allowance dated Aug. 28, 2015 in U.S. Appl. No. 13/597,043.
- USPTO; Non-Final Office Action dated Feb. 12, 2015 in U.S. Appl. No. 13/597,108.
- USPTO; Final Office Action dated Jun. 1, 2015 in U.S. Appl. No. 13/597,108.
- USPTO; Advisory Action dated Sep. 2, 2015 in U.S. Appl. No. 13/597,108.
- USPTO; Non-Final Office Action dated Dec. 8, 2015 in U.S. Appl. No. 13/597,108.
- USPTO; Final Office Action dated Jun. 2, 2016 in U.S. Appl. No. 13/597,108.
- USPTO; Non-Final Office Action dated Sep. 15, 2016 in U.S. Appl. No. 13/597,108.
- USPTO; Notice of Allowance dated Mar. 7, 2017 in U.S. Appl. No. 13/597,108.
- USPTO; Notice of Allowance dated Mar. 27, 2014 in U.S. Appl. No. 13/604,498.
- USPTO; Non-Final Office Action dated Nov. 15, 2013 in U.S. Appl. No. 13/612,538.
- USPTO; Non-Final Office Action dated Jul. 10, 2014 in U.S. Appl. No. 13/612,538.
- USPTO; Notice of Allowance dated Feb. 25, 2015 in U.S. Appl. No. 13/612,538.
- USPTO; Non-Final Office Action dated Apr. 15, 2015 in U.S. Appl. No. 13/646,403.
- USPTO; Final Office Action dated Oct. 15, 2015 in U.S. Appl. No. 13/646,403.
- USPTO; Notice of Allowance dated Feb. 2, 2016 in U.S. Appl. No. 13/646,403.
- USPTO; Non-Final Office Action dated May 15, 2014 in U.S. Appl. No. 13/646,471.
- USPTO; Final Office Action dated Aug. 18, 2014 in U.S. Appl. No. 13/646,471.
- USPTO; Advisory Action dated Nov. 14, 2014 in U.S. Appl. No. 13/646,471.
- USPTO; Non-Final Office Action dated Dec. 16, 2014 in U.S. Appl. No. 13/646,471.
- USPTO; Final Office Action dated Apr. 21, 2015 in U.S. Appl. No. 13/646,471.
- USPTO; Non-Final Office Action dated Aug. 19, 2015 in U.S. Appl. No. 13/646,471.
- USPTO; Final Office Action dated Jan. 22, 2016 in U.S. Appl. No. 13/646,471.



(56)

**References Cited**

## OTHER PUBLICATIONS

- USPTO; Advisory Action dated Apr. 15, 2016 in U.S. Appl. No. 13/646,471.
- USPTO; Non-Final Office Action dated Jun. 2, 2016 in U.S. Appl. No. 13/646,471.
- USPTO; Final Office Action dated Oct. 20, 2016 in U.S. Appl. No. 13/646,471.
- USPTO; Non-Final Office Action dated May 28, 2015 in U.S. Appl. No. 13/651,144.
- USPTO; Final Office Action dated Dec. 14, 2017 in U.S. Appl. No. 13/651,144.
- USPTO; Final Office Action dated Nov. 19, 2015 in U.S. Appl. No. 13/651,144.
- USPTO; Advisory Action dated Feb. 12, 2016 in U.S. Appl. No. 13/651,144.
- USPTO; Non-Final Office Action dated May 10, 2016 in U.S. Appl. No. 13/651,144.
- USPTO; Final Office Action dated Sep. 20, 2016 in U.S. Appl. No. 13/651,144.
- USPTO; Advisory Action dated Dec. 29, 2016 in U.S. Appl. No. 13/651,144.
- USPTO; Non-Final Office Action dated May 17, 2017 in U.S. Appl. No. 13/651,144.
- USPTO; Non-Final Office Action dated Dec. 14, 2017 in U.S. Appl. No. 13/651,144.
- USPTO; Advisory Action dated Apr. 19, 2018 in U.S. Appl. No. 13/651,144.
- USPTO; Non-Final Office Action dated Sep. 20, 2018 in U.S. Appl. No. 13/651,144.
- USPTO; Final Office Action dated Mar. 15, 2019 in U.S. Appl. No. 13/651,144.
- USPTO; Non-Final Office Action dated Sep. 18, 2019 in U.S. Appl. No. 13/651,144.
- USPTO; Notice of Allowance dated Feb. 10, 2020 in U.S. Appl. No. 13/651,144.
- USPTO; Advisory Action dated Jun. 26, 2015 in U.S. Appl. No. 13/791,246.
- USPTO; Non-Final Office Action dated Jun. 18, 2015 in U.S. Appl. No. 13/665,366.
- USPTO; Final Office Action dated Mar. 1, 2016 in U.S. Appl. No. 13/665,366.
- USPTO; Advisory Action dated May 13, 2016 in U.S. Appl. No. 13/665,366.
- USPTO; Non-Final Office Action dated Jun. 17, 2016 in U.S. Appl. No. 13/665,366.
- USPTO; Final Office Action dated May 3, 2017 in U.S. Appl. No. 13/665,366.
- USPTO; Non-Final Office Action dated Apr. 3, 2015 in U.S. Appl. No. 13/677,133.
- USPTO; Notice of Allowance dated Aug. 4, 2015 in U.S. Appl. No. 13/677,133.
- USPTO; Notice of Allowance dated Aug. 24, 2015 in U.S. Appl. No. 13/677,133.
- USPTO; Office Action dated Jun. 2, 2014 in U.S. Appl. No. 13/677,151.
- USPTO; Final Office Action dated Nov. 14, 2014 in U.S. Appl. No. 13/677,151.
- USPTO; Notice of Allowance dated Feb. 26, 2015 in U.S. Appl. No. 13/677,151.
- USPTO; Notice of Allowance dated Mar. 17, 2015 in U.S. Appl. No. 13/677,151.
- USPTO; Non-Final Office Action dated Aug. 20, 2013 in U.S. Appl. No. 13/679,502.
- USPTO; Final Office Action dated Feb. 25, 2014 in U.S. Appl. No. 13/679,502.
- USPTO; Notice of Allowance dated May 2, 2014 in U.S. Appl. No. 13/679,502.
- USPTO; Non-Final Office Action dated Jul. 21, 2015 in U.S. Appl. No. 13/727,324.
- USPTO; Final Office Action dated Jan. 22, 2016 in U.S. Appl. No. 13/727,324.
- USPTO; Advisory Action dated Apr. 6, 2016 in U.S. Appl. No. 13/727,324.
- USPTO; Non-Final Office Action dated May 25, 2016 in U.S. Appl. No. 13/727,324.
- USPTO; Final Office Action dated Dec. 1, 2016 in U.S. Appl. No. 13/727,324.
- USPTO; Notice of Allowance dated Mar. 1, 2017 in U.S. Appl. No. 13/727,324.
- USPTO; Non-Final Office Action dated Oct. 24, 2013 in U.S. Appl. No. 13/749,878.
- USPTO; Non-Final Office Action dated Jun. 18, 2014 in U.S. Appl. No. 13/749,878.
- USPTO; Final Office Action dated Dec. 10, 2014 in U.S. Appl. No. 13/749,878.
- USPTO; Notice of Allowance Mar. 13, 2015 dated in U.S. Appl. No. 13/749,878.
- USPTO; Non-Final Office Action dated Sep. 16, 2013 in U.S. Appl. No. 13/760,160.
- USPTO; Final Office Action dated Dec. 27, 2013 in U.S. Appl. No. 13/760,160.
- USPTO; Non-Final Office Action dated Jun. 4, 2014 in U.S. Appl. No. 13/760,160.
- USPTO; Final Office Action dated Sep. 25, 2014 in U.S. Appl. No. 13/760,160.
- USPTO; Final Office Action dated Jan. 28, 2015 in U.S. Appl. No. 13/760,160.
- USPTO; Final Office Action dated May 12, 2015 in U.S. Appl. No. 13/760,160.
- USPTO; Notice of Allowance dated Oct. 21, 2015 in U.S. Appl. No. 13/760,160.
- USPTO; Notice of Allowance dated Jan. 20, 2016 in U.S. Appl. No. 13/760,160.
- USPTO; Office Action dated Apr. 23, 2014 in U.S. Appl. No. 13/784,362.
- USPTO; Notice of Allowance dated Aug. 13, 2014 in U.S. Appl. No. 13/784,362.
- USPTO; Non-Final Office Action dated Dec. 19, 2013 in U.S. Appl. No. 13/784,388.
- USPTO; Notice of Allowance dated Jun. 4, 2014 in U.S. Appl. No. 13/784,388.
- USPTO; Non-Final Office Action dated Sep. 19, 2014 in U.S. Appl. No. 13/791,246.
- USPTO; Final Office Action dated Mar. 25, 2015 in U.S. Appl. No. 13/791,246.
- USPTO; Non-Final Office Action dated Oct. 26, 2015 in U.S. Appl. No. 13/791,246.
- USPTO; Final Office Action dated Apr. 20, 2016 in U.S. Appl. No. 13/791,246.
- USPTO; Advisory Action dated Jul. 13, 2016 in U.S. Appl. No. 13/791,246.
- USPTO; Non-Final Office Action dated Aug. 11, 2016 in U.S. Appl. No. 13/791,246.
- USPTO; Notice of Allowance dated Oct. 19, 2016 in U.S. Appl. No. 13/791,246.
- USPTO; Notice of Allowance dated Nov. 25, 2016 in U.S. Appl. No. 13/791,246.
- USPTO; Non-Final Office Action dated Nov. 6, 2015 in U.S. Appl. No. 13/791,339.
- USPTO; Final Office Action dated Apr. 12, 2016 in U.S. Appl. No. 13/791,339.
- USPTO; Advisory Action dated Jul. 14, 2016 in U.S. Appl. No. 13/791,339.
- USPTO; Notice of Allowance dated Aug. 24, 2016 in U.S. Appl. No. 13/791,339.
- USPTO; Non-Final Office Action dated Mar. 21, 2014 in U.S. Appl. No. 13/799,708.
- USPTO; Notice of Allowance dated Oct. 31, 2014 in U.S. Appl. No. 13/799,708.
- USPTO; Non-Final Office Action dated Oct. 9, 2014 in U.S. Appl. No. 13/874,708.

(56)

**References Cited**

## OTHER PUBLICATIONS

- USPTO; Notice of Allowance dated Mar. 10, 2015 in U.S. Appl. No. 13/874,708.
- USPTO; Notice of Allowance dated Apr. 10, 2014 in U.S. Appl. No. 13/901,341.
- USPTO; Notice of Allowance dated Jun. 6, 2014 in U.S. Appl. No. 13/901,341.
- USPTO; Non-Final Office Action dated Jan. 2, 2015 in U.S. Appl. No. 13/901,372.
- USPTO; Final Office Action dated Apr. 16, 2015 in U.S. Appl. No. 13/901,372.
- USPTO; Notice of Allowance dated Aug. 5, 2015 in U.S. Appl. No. 13/901,372.
- USPTO; Advisory Action dated Jun. 29, 2015 in U.S. Appl. No. 13/901,372.
- USPTO; Non-Final Office Action dated Jul. 8, 2015 in U.S. Appl. No. 13/901,400.
- USPTO; Final Office Action dated Jan. 14, 2016 in U.S. Appl. No. 13/901,400.
- USPTO; Notice of Allowance dated Apr. 12, 2016 in U.S. Appl. No. 13/901,400.
- USPTO; Non-Final Office Action dated Apr. 24, 2014 in U.S. Appl. No. 13/912,666.
- USPTO; Final Office Action dated Sep. 25, 2014 in U.S. Appl. No. 13/912,666.
- USPTO; Advisory Action dated Dec. 11, 2014 in U.S. Appl. No. 13/912,666.
- USPTO; Non-Final Office Action dated Jan. 26, 2015 in U.S. Appl. No. 13/912,666.
- USPTO; Notice of Allowance dated Jun. 25, 2015 in U.S. Appl. No. 13/912,666.
- USPTO; Non-Final Office Action dated Dec. 16, 2014 in U.S. Appl. No. 13/915,732.
- USPTO; Final Office Action dated Apr. 10, 2015 in U.S. Appl. No. 13/915,732.
- USPTO; Notice of Allowance dated Jun. 19, 2015 in U.S. Appl. No. 13/915,732.
- USPTO; Notice of Allowance dated Mar. 17, 2015 in U.S. Appl. No. 13/923,197.
- USPTO; Non-Final Office Action dated Sep. 12, 2014 in U.S. Appl. No. 13/941,134.
- USPTO; Notice of Allowance dated Jan. 20, 2015 in U.S. Appl. No. 13/941,134.
- USPTO; Non-Final Office Action dated Jul. 30, 2015 in U.S. Appl. No. 13/941,216.
- USPTO; Final Office Action dated Mar. 1, 2016 in U.S. Appl. No. 13/941,216.
- USPTO; Non-Final Office Action dated Jun. 15, 2016 in U.S. Appl. No. 13/941,216.
- USPTO; Notice of Allowance dated Sep. 13, 2016 in U.S. Appl. No. 13/941,216.
- USPTO; Notice of Allowance dated Nov. 14, 2016 in U.S. Appl. No. 13/941,216.
- USPTO; Non-Final Office Action dated Jan. 14, 2014 in U.S. Appl. No. 13/941,226.
- USPTO; Non-Final Office Action dated Jul. 8, 2014 in U.S. Appl. No. 13/941,226.
- USPTO; Non-Final Office Action dated Feb. 3, 2015 in U.S. Appl. No. 13/941,226.
- USPTO; Final Office Action dated Feb. 12, 2016 in U.S. Appl. No. 13/941,226.
- USPTO; Advisory Action dated Jul. 29, 2016 in U.S. Appl. No. 13/941,226.
- USPTO; Non-Final Office Action dated Aug. 8, 2017 in U.S. Appl. No. 13/941,226.
- USPTO; Notice of Allowance dated Aug. 13, 2018 in U.S. Appl. No. 13/941,226.
- USPTO; Notice of Allowance dated Oct. 3, 2018 in U.S. Appl. No. 13/941,226.
- USPTO; Non-Final Office Action dated Oct. 30, 2014 in U.S. Appl. No. 13/948,055.
- USPTO; Notice of Allowance dated Feb. 27, 2015 in U.S. Appl. No. 13/948,055.
- USPTO; Notice of Allowance dated Mar. 31, 2015 in U.S. Appl. No. 13/948,055.
- USPTO; Non-Final Office Action dated Jun. 29, 2015 in U.S. Appl. No. 13/966,782.
- USPTO; Final Office Action dated Jan. 4, 2016 in U.S. Appl. No. 13/966,782.
- USPTO; Notice of Allowance dated Mar. 21, 2016 in U.S. Appl. No. 13/966,782.
- USPTO; Notice of Allowance dated Oct. 7, 2015 in U.S. Appl. No. 13/973,777.
- USPTO; Non-Final Office Action dated Feb. 20, 2015 in U.S. Appl. No. 14/018,231.
- USPTO; Notice of Allowance dated Jul. 20, 2015 in U.S. Appl. No. 14/018,231.
- USPTO; Non-Final Office Action dated Apr. 7, 2015 in U.S. Appl. No. 14/018,345.
- USPTO; Final Office Action dated Sep. 14, 2015 in U.S. Appl. No. 14/018,345.
- USPTO; Notice of Allowance dated Jan. 14, 2016 in U.S. Appl. No. 14/018,345.
- USPTO; Notice of Allowance dated Mar. 17, 2016 in U.S. Appl. No. 14/018,345.
- USPTO; Non-Final Office Action dated Mar. 26, 2015 in U.S. Appl. No. 14/031,982.
- USPTO; Final Office Action dated Aug. 28, 2015 in U.S. Appl. No. 14/031,982.
- USPTO; Notice of Allowance dated Nov. 17, 2015 in U.S. Appl. No. 14/031,982.
- USPTO; Non-Final Office Action dated Jan. 2, 2015 in U.S. Appl. No. 14/040,196.
- USPTO; Non-Final Office Action dated Apr. 28, 2015 in U.S. Appl. No. 14/040,196.
- USPTO; Notice of Allowance dated Sep. 11, 2015 in U.S. Appl. No. 14/040,196.
- USPTO; Non-Final Office Action dated Dec. 3, 2015 in U.S. Appl. No. 14/050,150.
- USPTO; Final Office Action dated Jun. 15, 2016 in U.S. Appl. No. 14/050,150.
- USPTO; Final Office Action dated Jul. 8, 2016 in U.S. Appl. No. 14/050,150.
- USPTO; Notice of Allowance dated Oct. 20, 2016 in U.S. Appl. No. 14/050,150.
- USPTO; Non-Final Office Action dated Dec. 15, 2014 in U.S. Appl. No. 14/065,114.
- USPTO; Final Office Action dated Jun. 19, 2015 in U.S. Appl. No. 14/065,114.
- USPTO; Advisory Action dated Aug. 24, 2015 in U.S. Appl. No. 14/065,114.
- USPTO; Non-Final Office Action dated Oct. 7, 2015 in U.S. Appl. No. 14/065,114.
- USPTO; Notice of Allowance dated Feb. 22, 2016 in U.S. Appl. No. 14/065,114.
- USPTO; Non-Final Office Action dated Nov. 14, 2014 in U.S. Appl. No. 14/069,244.
- USPTO; Notice of Allowance dated Mar. 25, 2015 in U.S. Appl. No. 14/069,244.
- USPTO; Non-Final Office Action dated Mar. 19, 2015 in U.S. Appl. No. 14/079,302.
- USPTO; Final Office Action dated Sep. 1, 2015 in U.S. Appl. No. 14/079,302.
- USPTO; Non-Final Office Action dated Dec. 23, 2015 in U.S. Appl. No. 14/079,302.
- USPTO; Non-Final Office Action dated Apr. 27, 2016 in U.S. Appl. No. 14/079,302.
- USPTO; Final Office Action dated Aug. 22, 2016 in U.S. Appl. No. 14/079,302.
- USPTO; Notice of Allowance dated Dec. 14, 2016 in U.S. Appl. No. 14/079,302.

(56)

**References Cited**

## OTHER PUBLICATIONS

- USPTO; Advisory Action dated Nov. 10, 2015 in U.S. Appl. No. 14/079,302.
- USPTO; Non-Final Office Action dated Sep. 9, 2015 in U.S. Appl. No. 14/090,750.
- USPTO; Final Office Action dated Feb. 11, 2016 in U.S. Appl. No. 14/090,750.
- USPTO; Advisory Action dated May 5, 2016 in U.S. Appl. No. 14/090,750.
- USPTO; Non-Final Office Action dated Jun. 14, 2016 in U.S. Appl. No. 14/090,750.
- USPTO; Advisory Action dated Dec. 21, 2016 in U.S. Appl. No. 14/090,750.
- USPTO; Advisory Action dated Jan. 30, 2018 in U.S. Appl. No. 14/090,750.
- USPTO; Final Office Action dated Sep. 28, 2016 in U.S. Appl. No. 14/090,750.
- USPTO; Non-Final Office Action dated Jun. 23, 2017 in U.S. Appl. No. 14/090,750.
- USPTO; Final Office Action dated Nov. 17, 2017 in U.S. Appl. No. 14/090,750.
- USPTO; Non-Final Office Action dated Mar. 12, 2018 in U.S. Appl. No. 14/090,750.
- USPTO; Notice of Allowance dated Aug. 29, 2018 in U.S. Appl. No. 14/090,750.
- USPTO; Non-Final Office Action dated Mar. 19, 2015 in U.S. Appl. No. 14/166,462.
- USPTO; Notice of Allowance dated Sep. 3, 2015 in U.S. Appl. No. 14/166,462.
- USPTO; Non-Final Office Action dated Nov. 17, 2015 in U.S. Appl. No. 14/172,220.
- USPTO; Notice of Allowance dated Apr. 22, 2016 in U.S. Appl. No. 14/172,220.
- USPTO; Office Action dated May 29, 2014 in U.S. Appl. No. 14/183,187.
- USPTO; Final Office Action dated Nov. 7, 2014 in U.S. Appl. No. 14/183,187.
- USPTO; Advisory Action dated Feb. 20, 2015 in U.S. Appl. No. 14/183,187.
- USPTO; Non-Final Office Action dated Mar. 16, 2015 in U.S. Appl. No. 14/183,187.
- USPTO; Final Office Action dated Jul. 10, 2015 in U.S. Appl. No. 14/183,187.
- USPTO; Notice of Allowance dated Aug. 31, 2015 in U.S. Appl. No. 14/183,187.
- USPTO; Non-Final Office Action dated Jan. 11, 2016 in U.S. Appl. No. 14/188,760.
- USPTO; Final Office Action dated Aug. 25, 2016 in U.S. Appl. No. 14/188,760.
- USPTO; Advisory Action dated Jan. 12, 2017 in U.S. Appl. No. 14/188,760.
- USPTO; Non-Final Office Action dated Mar. 23, 2017 in U.S. Appl. No. 14/188,760.
- USPTO; Final Office Action dated Oct. 5, 2017 in U.S. Appl. No. 14/188,760.
- USPTO; Advisory Action dated Jan. 3, 2018 in U.S. Appl. No. 14/188,760.
- USPTO; Non-Final Office Action dated Apr. 18, 2018 in U.S. Appl. No. 14/188,760.
- USPTO; Final Office Action dated Jan. 25, 2019 in U.S. Appl. No. 14/188,760.
- USPTO; Non-Final Office Action dated Aug. 8, 2019 in U.S. Appl. No. 14/188,760.
- USPTO; Notice of Allowance dated Feb. 10, 2020 in U.S. Appl. No. 14/188,760.
- USPTO; Non-Final Office Action dated Oct. 8, 2015 in U.S. Appl. No. 14/218,374.
- USPTO; Final Office Action dated Feb. 23, 2016 in U.S. Appl. No. 14/218,374.
- USPTO; Advisory Action dated Apr. 29, 2016 in U.S. Appl. No. 14/218,374.
- USPTO; Notice of Allowance dated Aug. 5, 2016 in U.S. Appl. No. 14/218,374.
- USPTO; Non-Final Office Action dated Jul. 15, 2016 in U.S. Appl. No. 14/218,690.
- USPTO; Final Office Action dated Nov. 14, 2016 in U.S. Appl. No. 14/218,690.
- USPTO; Non-Final Office Action dated Apr. 6, 2017 in U.S. Appl. No. 14/218,690.
- USPTO; Final Office Action dated Jul. 20, 2017 in U.S. Appl. No. 14/218,690.
- USPTO; Non-Final Office Action dated Jan. 11, 2018 in U.S. Appl. No. 14/218,690.
- USPTO; Final Office Action dated May 24, 2018 in U.S. Appl. No. 14/218,690.
- USPTO; Notice of Allowance dated Sep. 24, 2018 in U.S. Appl. No. 14/218,690.
- USPTO; Non-Final Office Action dated Sep. 22, 2015 in U.S. Appl. No. 14/219,839.
- USPTO; Final Office Action dated Mar. 25, 2016 in U.S. Appl. No. 14/219,839.
- USPTO; Non-Final Office Action dated Dec. 22, 2016 in U.S. Appl. No. 14/219,839.
- USPTO; Advisory Action dated Jun. 30, 2016 in U.S. Appl. No. 14/219,839.
- USPTO; Final Office Action dated Jul. 6, 2017 in U.S. Appl. No. 14/219,839.
- USPTO; Non-Final Office Action dated Mar. 27, 2018 in U.S. Appl. No. 14/219,839.
- USPTO; Final Office Action dated Nov. 1, 2018 in U.S. Appl. No. 14/219,839.
- USPTO; Advisory Action dated Jan. 22, 2019 in U.S. Appl. No. 14/219,839.
- USPTO; Non-Final Office Action dated Jul. 15, 2019 in U.S. Appl. No. 14/219,839.
- USPTO; Final Office Action dated Jan. 27, 2020 in U.S. Appl. No. 14/219,839.
- USPTO; Advisory Action dated Apr. 24, 2020 in U.S. Appl. No. 14/219,839.
- USPTO; Advisory Action dated Apr. 24, 2020 in U.S. Appl. No. 14/219,879.
- USPTO; Non-Final Office Action dated Nov. 25, 2015 in U.S. Appl. No. 14/219,879.
- USPTO; Final Office action dated May 19, 2016 in U.S. Appl. No. 14/219,879.
- USPTO; Advisory Action dated Aug. 22, 2016 in U.S. Appl. No. 14/219,879.
- USPTO; Non-Final Office Action dated Dec. 23, 2016 in U.S. Appl. No. 14/219,879.
- USPTO; Final Office action dated Jul. 6, 2017 in U.S. Appl. No. 14/219,879.
- USPTO; Advisory Action dated Oct. 5, 2017 in U.S. Appl. No. 14/219,879.
- USPTO; Non-Final Office Action dated Apr. 6, 2018 in U.S. Appl. No. 14/219,879.
- USPTO; Final Office Action dated Nov. 2, 2018 in U.S. Appl. No. 14/219,879.
- USPTO; Advisory Action dated Jan. 22, 2019 in U.S. Appl. No. 14/219,879.
- USPTO; Non-Final Office Action dated Jun. 24, 2019 in U.S. Appl. No. 14/219,879.
- USPTO; Final Office Action dated Jan. 13, 2020 in U.S. Appl. No. 14/219,879.
- USPTO; Non-Final Office Action dated Dec. 1, 2020 in U.S. Appl. No. 14/219,879.
- USPTO; Non-Final Office Action dated Sep. 18, 2015 in U.S. Appl. No. 14/244,689.
- USPTO; Notice of Allowance dated Feb. 11, 2016 in U.S. Appl. No. 14/244,689.
- USPTO; Non-Final Office Action dated Oct. 7, 2015 in U.S. Appl. No. 14/246,969.

(56)

**References Cited**

## OTHER PUBLICATIONS

- USPTO; Final Office Action dated May 4, 2016 in U.S. Appl. No. 14/246,969.
- USPTO; Advisory Action dated Aug. 2, 2016 in U.S. Appl. No. 14/246,969.
- USPTO; Non-Final Office Action dated Aug. 12, 2016 in U.S. Appl. No. 14/246,969.
- USPTO; Notice of Allowance dated Feb. 27, 2017 in U.S. Appl. No. 14/246,969.
- USPTO; Non-Final Office Action dated Nov. 20, 2015 in U.S. Appl. No. 14/260,701.
- USPTO; Notice of Allowance dated Jun. 2, 2016 in U.S. Appl. No. 14/260,701.
- USPTO; Notice of Allowance dated Feb. 23, 2016 in U.S. Appl. No. 14/327,134.
- USPTO; Non-Final Office Action dated Aug. 19, 2015 in U.S. Appl. No. 14/268,348.
- USPTO; Non-Final Office Action dated Jan. 6, 2016 in U.S. Appl. No. 14/268,348.
- USPTO; Final Office Action dated Apr. 29, 2016 in U.S. Appl. No. 14/268,348.
- USPTO; Notice of Allowance dated Aug. 19, 2016 in U.S. Appl. No. 14/268,348.
- USPTO; Notice of Allowance dated Aug. 30, 2016 in U.S. Appl. No. 14/268,348.
- USPTO; Non-Final Office Action dated Oct. 20, 2015 in U.S. Appl. No. 14/281,477.
- USPTO; Notice of Allowance dated Mar. 28, 2016 in U.S. Appl. No. 14/281,477.
- USPTO; Non-Final Office Action dated Jan. 13, 2017 in U.S. Appl. No. 14/444,744.
- USPTO; Final Office Action dated Jul. 10, 2017 in U.S. Appl. No. 14/444,744.
- USPTO; Non-Final Office Action dated Nov. 29, 2017 in U.S. Appl. No. 14/444,744.
- USPTO; Final Office Action dated Mar. 28, 2018 in U.S. Appl. No. 14/444,744.
- USPTO; Non-Final Office Action dated Jul. 27, 2018 in U.S. Appl. No. 14/444,744.
- USPTO; Final Office Action dated Feb. 7, 2019 in U.S. Appl. No. 14/444,744.
- USPTO; Non-Final Office Action dated Aug. 8, 2019 in U.S. Appl. No. 14/444,744.
- USPTO; Final Office Action dated Feb. 20, 2020 in U.S. Appl. No. 14/444,744.
- USPTO; Non-Final Office Action dated Apr. 28, 2020 in U.S. Appl. No. 14/444,744.
- USPTO; Notice of Allowance dated Sep. 3, 2020 in U.S. Appl. No. 14/444,744.
- USPTO; Non-Final Office Action dated May 18, 2016 in U.S. Appl. No. 14/449,838.
- USPTO; Notice of Allowance dated Nov. 28, 2016 in U.S. Appl. No. 14/449,838.
- USPTO; Non-Final Office Action dated Feb. 12, 2015 in U.S. Appl. No. 14/457,058.
- USPTO; Final Office Action dated Jul. 14, 2015 in U.S. Appl. No. 14/457,058.
- USPTO; Non-Final Office Action dated Nov. 6, 2015 in U.S. Appl. No. 14/457,058.
- USPTO; Advisory Action dated Nov. 6, 2015 in U.S. Appl. No. 14/457,058.
- USPTO; Final Office Action dated Jun. 17, 2016 in U.S. Appl. No. 14/457,058.
- USPTO; Advisory Action dated Sep. 21, 2016 in U.S. Appl. No. 14/457,058.
- USPTO; Non-Final Office Action dated Oct. 6, 2016 in U.S. Appl. No. 14/457,058.
- USPTO; Final Office Action dated May 4, 2017 in U.S. Appl. No. 14/457,058.
- USPTO; Non-Final Office Action dated Oct. 19, 2017 in U.S. Appl. No. 14/457,058.
- USPTO; Final Office Action dated Jun. 14, 2018 in U.S. Appl. No. 14/457,058.
- USPTO; Non-Final Office Action dated Jan. 11, 2019 in U.S. Appl. No. 14/457,058.
- USPTO; Final Office Action dated Jun. 25, 2019 in U.S. Appl. No. 14/457,058.
- USPTO; Non-Final Office Action dated Oct. 31, 2019 in U.S. Appl. No. 14/457,058.
- USPTO; Final Office Action dated May 15, 2020 in U.S. Appl. No. 14/457,058.
- USPTO; Notice of Allowance dated Aug. 6, 2020 in U.S. Appl. No. 14/457,058.
- USPTO; Non-Final Office Action dated Sep. 16, 2016 in U.S. Appl. No. 14/465,252.
- USPTO; Final Office Action dated Nov. 1, 2016 in U.S. Appl. No. 14/465,252.
- USPTO; Non-Final Office Action dated Mar. 6, 2017 in U.S. Appl. No. 14/465,252.
- USPTO; Final Office Action dated Jun. 9, 2017 in U.S. Appl. No. 14/465,252.
- USPTO; Notice of Allowance dated Oct. 3, 2017 in U.S. Appl. No. 14/465,252.
- USPTO; Non-Final Office Action dated Nov. 24, 2015 in U.S. Appl. No. 14/498,036.
- USPTO; Final Office Action dated Apr. 5, 2016 in U.S. Appl. No. 14/498,036.
- USPTO; Advisory Action dated Jun. 16, 2016 in U.S. Appl. No. 14/498,036.
- USPTO; Notice of Allowance dated Aug. 17, 2016 in U.S. Appl. No. 14/498,036.
- USPTO; Non-Final Office Action dated Apr. 10, 2015 in U.S. Appl. No. 14/505,290.
- USPTO; Notice of Allowance dated Aug. 21, 2015 in U.S. Appl. No. 14/505,290.
- USPTO; Non-Final Office Action dated Dec. 17, 2015 in U.S. Appl. No. 14/508,296.
- USPTO; Final Office Action dated May 26, 2016 in U.S. Appl. No. 14/508,296.
- USPTO; Advisory Action dated Aug. 17, 2016 in U.S. Appl. No. 14/508,296.
- USPTO; Non-Final Office Action dated Sep. 8, 2016 in U.S. Appl. No. 14/508,296.
- USPTO; Final Office Action dated Dec. 7, 2016 in U.S. Appl. No. 14/508,296.
- USPTO; Notice of Allowance dated Jan. 27, 2017 in U.S. Appl. No. 14/508,296.
- USPTO; Non-Final Office Action dated Apr. 6, 2017 in U.S. Appl. No. 14/508,489.
- USPTO; Final Office Action dated Oct. 4, 2017 in U.S. Appl. No. 14/508,489.
- USPTO; Non-Final Office Action dated May 15, 2018 in U.S. Appl. No. 14/508,489.
- USPTO; Final Office Action dated Nov. 28, 2018 in U.S. Appl. No. 14/508,489.
- USPTO; Non-Final Office Action dated Apr. 4, 2019 in U.S. Appl. No. 14/508,489.
- USPTO; Final Office Action dated Aug. 20, 2019 in U.S. Appl. No. 14/508,489.
- USPTO; Advisory Action dated Oct. 28, 2019 in U.S. Appl. No. 14/508,489.
- USPTO; Non-Final Office Action dated Mar. 5, 2020 in U.S. Appl. No. 14/508,489.
- USPTO; Final Office Action dated Aug. 20, 2020 in U.S. Appl. No. 14/508,489.
- USPTO; Notice of Allowance dated Nov. 3, 2020 in U.S. Appl. No. 14/508,489.
- USPTO; Non-Final Office Action dated Jan. 16, 2015 in U.S. Appl. No. 14/563,044.
- USPTO; Final Office Action dated Jul. 16, 2015 in U.S. Appl. No. 14/563,044.

(56)

**References Cited**

## OTHER PUBLICATIONS

- USPTO; Notice of Allowance dated Oct. 15, 2015 in U.S. Appl. No. 14/563,044.
- USPTO; Notice of Allowance dated Dec. 2, 2015 in U.S. Appl. No. 14/563,044.
- USPTO; Non-Final Office Action dated May 4, 2016 in U.S. Appl. No. 14/568,647.
- USPTO; Final Office Action dated Sep. 29, 2016 in U.S. Appl. No. 14/568,647.
- USPTO; Advisory Action dated Dec. 21, 2016 in U.S. Appl. No. 14/568,647.
- USPTO; Non-Final Office Action dated Feb. 2, 2017 in U.S. Appl. No. 14/568,647.
- USPTO; Final Office Action dated May 19, 2017 in U.S. Appl. No. 14/568,647.
- USPTO; Non-Final Office Action dated Sep. 14, 2017 in U.S. Appl. No. 14/568,647.
- USPTO; Final Office Action dated Jan. 23, 2018 in U.S. Appl. No. 14/568,647.
- USPTO; Advisory Action dated Apr. 12, 2018 in U.S. Appl. No. 14/568,647.
- USPTO; Non-Final Office Action dated May 25, 2018 in U.S. Appl. No. 14/568,647.
- USPTO; Non-Final Office Action dated Oct. 1, 2015 in U.S. Appl. No. 14/571,126.
- USPTO; Final Office Action dated Feb. 22, 2016 in U.S. Appl. No. 14/571,126.
- USPTO; Notice of Allowance dated May 18, 2016 in U.S. Appl. No. 14/571,126.
- USPTO; Notice of Allowance dated Jun. 2, 2016 in U.S. Appl. No. 14/571,126.
- USPTO; Non-Final Office Action dated Nov. 25, 2015 in U.S. Appl. No. 14/598,532.
- USPTO; Notice of Allowance dated May 16, 2016 in U.S. Appl. No. 14/598,532.
- USPTO; Non-Final Office Action dated Jan. 15, 2016 in U.S. Appl. No. 14/606,364.
- USPTO; Final Office Action dated Jun. 14, 2016 in U.S. Appl. No. 14/606,364.
- USPTO; Advisory Action dated Aug. 25, 2016 in U.S. Appl. No. 14/606,364.
- USPTO; Final Office Action dated Jan. 12, 2017 in U.S. Appl. No. 14/606,364.
- USPTO; Non-Final Office Action dated May 10, 2017 in U.S. Appl. No. 14/606,364.
- USPTO; Notice of Allowance dated Aug. 16, 2017 in U.S. Appl. No. 14/606,364.
- USPTO; Non-Final Office Action dated Mar. 3, 2016 in U.S. Appl. No. 14/622,603.
- USPTO; Notice of Allowance dated Aug. 2, 2016 in U.S. Appl. No. 14/622,603.
- USPTO; Notice of Allowance dated Feb. 16, 2016 in U.S. Appl. No. 14/634,342.
- USPTO; Non-Final Office Action dated Oct. 19, 2017 in U.S. Appl. No. 14/645,234.
- USPTO; Non-Final Office Action dated May 16, 2018 in U.S. Appl. No. 14/645,234.
- USPTO; Final Office Action dated Aug. 10, 2018 in U.S. Appl. No. 14/645,234.
- USPTO; Notice of Allowance dated Aug. 15, 2019 in U.S. Appl. No. 14/645,234.
- USPTO; Non-Final Office Action dated Jun. 7, 2017 in U.S. Appl. No. 14/656,588.
- USPTO; Final Office Action dated Dec. 26, 2017 in U.S. Appl. No. 14/656,588.
- USPTO; Non-Final Office Action dated Apr. 6, 2018 in U.S. Appl. No. 14/656,588.
- USPTO; Notice of Allowance dated Nov. 19, 2018 in U.S. Appl. No. 14/656,588.
- USPTO; Non-Final Office Action dated Mar. 21, 2016 in U.S. Appl. No. 14/659,152.
- USPTO; Final Office Action dated Jul. 29, 2016 in U.S. Appl. No. 14/659,152.
- USPTO; Notice of Allowance dated Nov. 22, 2016 in U.S. Appl. No. 14/659,152.
- USPTO; Non-Final Office Action dated Nov. 19, 2015 in U.S. Appl. No. 14/659,437.
- USPTO; Final Office Action dated Mar. 17, 2016 in U.S. Appl. No. 14/659,437.
- USPTO; Notice of Allowance dated May 31, 2016 in U.S. Appl. No. 14/659,437.
- USPTO; Non-Final Office Action dated Sep. 7, 2017 in U.S. Appl. No. 14/660,755.
- USPTO; Notice of Allowance dated Oct. 2, 2017 in U.S. Appl. No. 14/660,755.
- USPTO; Notice of Allowance dated Mar. 25, 2016 in U.S. Appl. No. 14/693,138.
- USPTO; Non-Final Office Action dated Aug. 3, 2017 in U.S. Appl. No. 14/752,712.
- USPTO; Final Office Action dated Nov. 29, 2017 in U.S. Appl. No. 14/752,712.
- USPTO; Advisory Action dated Feb. 15, 2018 in U.S. Appl. No. 14/752,712.
- USPTO; Non-Final Office Action dated Mar. 21, 2018 in U.S. Appl. No. 14/752,712.
- USPTO; Final Office Action dated Sep. 5, 2018 in U.S. Appl. No. 14/752,712.
- USPTO; Non-Final Office Action dated Dec. 28, 2018 in U.S. Appl. No. 14/752,712.
- USPTO; Notice of Allowance dated Jun. 11, 2019 in U.S. Appl. No. 14/752,712.
- USPTO; Non-Final Office Action dated Nov. 29, 2017 in U.S. Appl. No. 14/793,323.
- USPTO; Final Office Action dated Mar. 29, 2018 in U.S. Appl. No. 14/793,323.
- USPTO; Non-Final Office Action dated Aug. 10, 2018 in U.S. Appl. No. 14/793,323.
- USPTO; Final Office Action dated Feb. 25, 2019 in U.S. Appl. No. 14/793,323.
- USPTO; Non-Final Office Action dated Jun. 27, 2019 in U.S. Appl. No. 14/793,323.
- USPTO; Notice of Allowance dated Nov. 14, 2019 in U.S. Appl. No. 14/793,323.
- USPTO; Non-Final Office Action dated Jun. 16, 2017 in U.S. Appl. No. 14/798,136.
- USPTO; Notice of Allowance dated Oct. 5, 2017 in U.S. Appl. No. 14/798,136.
- USPTO; Non-Final Office Action dated Mar. 30, 2016 in U.S. Appl. No. 14/808,979.
- USPTO; Final Office Action dated Sep. 30, 2016 in U.S. Appl. No. 14/808,979.
- USPTO; Non-Final Office Action dated Dec. 20, 2016 in U.S. Appl. No. 14/808,979.
- USPTO; Final Office Action dated Jun. 8, 2017 in U.S. Appl. No. 14/808,979.
- USPTO; Non-Final Office Action dated Sep. 21, 2017 in U.S. Appl. No. 14/808,979.
- USPTO; Final Office Action dated Mar. 14, 2018 in U.S. Appl. No. 14/808,979.
- USPTO; Notice of Allowance dated Jun. 27, 2018 in U.S. Appl. No. 14/808,979.
- USPTO; Non-Final Office Action dated Feb. 23, 2018 in U.S. Appl. No. 14/817,953.
- USPTO; Notice of Allowance dated Jul. 11, 2018 in U.S. Appl. No. 14/817,953.
- USPTO; Non-Final Office Action dated Sep. 1, 2016 in U.S. Appl. No. 14/827,177.
- USPTO; Notice of Allowance dated Jan. 27, 2017 in U.S. Appl. No. 14/827,177.
- USPTO; Non-Final Office Action dated Sep. 9, 2016 in U.S. Appl. No. 14/829,565.

(56)

**References Cited**

## OTHER PUBLICATIONS

- USPTO; Final Office Action dated Feb. 9, 2017 in U.S. Appl. No. 14/829,565.
- USPTO; Advisory Action dated Apr. 20, 2017 in U.S. Appl. No. 14/829,565.
- USPTO; Non-Final Office Action dated Sep. 19, 2017 in U.S. Appl. No. 14/829,565.
- USPTO; Final Office Action dated Mar. 5, 2018 in U.S. Appl. No. 14/829,565.
- USPTO; Advisory Action dated Aug. 10, 2018 in U.S. Appl. No. 14/829,565.
- USPTO; Non-Final Office Action dated Sep. 6, 2018 in U.S. Appl. No. 14/829,565.
- USPTO; Final Office Action dated Apr. 18, 2019 in U.S. Appl. No. 14/829,565.
- USPTO; Advisory Action dated Jul. 22, 2019 in U.S. Appl. No. 14/829,565.
- USPTO; Non-Final Office Action dated Sep. 19, 2019 in U.S. Appl. No. 14/829,565.
- USPTO; Final Office Action dated Mar. 3, 2020 in U.S. Appl. No. 14/829,565.
- USPTO; Advisory Action dated Jun. 22, 2020 in U.S. Appl. No. 14/829,565.
- USPTO; Non-Final Office Action dated Aug. 3, 2020 in U.S. Appl. No. 14/829,565.
- USPTO; Final Office Action dated Feb. 1, 2021 in U.S. Appl. No. 14/829,565.
- USPTO; Non-Final Office Action dated Apr. 29, 2016 in U.S. Appl. No. 14/835,637.
- USPTO; Final Office Action dated Nov. 25, 2016 in U.S. Appl. No. 14/835,637.
- USPTO; Advisory Action dated Feb. 14, 2017 in U.S. Appl. No. 14/835,637.
- USPTO; Notice of Allowance dated Apr. 25, 2017 in U.S. Appl. No. 14/835,637.
- USPTO; Non-Final Office Action dated Jul. 29, 2016 in U.S. Appl. No. 14/884,695.
- USPTO; Final Office Action dated Feb. 9, 2017 in U.S. Appl. No. 14/884,695.
- USPTO; Advisory Action dated Apr. 20, 2017 in U.S. Appl. No. 14/884,695.
- USPTO; Non-Final Office Action dated May 18, 2017 in U.S. Appl. No. 14/884,695.
- USPTO; Notice of Allowance dated Oct. 20, 2017 in U.S. Appl. No. 14/884,695.
- USPTO; Non-Final Office Action dated May 18, 2017 in U.S. Appl. No. 14/886,571.
- USPTO; Final Office Action dated Sep. 21, 2017 in U.S. Appl. No. 14/886,571.
- USPTO; Notice of Allowance dated Dec. 6, 2017 in U.S. Appl. No. 14/886,571.
- USPTO; Non-Final Office Action dated Dec. 1, 2016 in U.S. Appl. No. 14/919,536.
- USPTO; Final Office Action dated Mar. 28, 2017 in U.S. Appl. No. 14/919,536.
- USPTO; Non-Final Office Action dated Aug. 29, 2017 in U.S. Appl. No. 14/919,536.
- USPTO; Final Office Action dated May 11, 2018 in U.S. Appl. No. 14/919,536.
- USPTO; Notice of Allowance dated Oct. 4, 2018 in U.S. Appl. No. 14/919,536.
- USPTO; Notice of Allowance dated Nov. 19, 2018 in U.S. Appl. No. 14/919,536.
- USPTO; Non-Final Office Action dated May 3, 2016 in U.S. Appl. No. 14/937,053.
- USPTO; Notice of Allowance dated Jul. 26, 2016 in U.S. Appl. No. 14/937,053.
- USPTO; Non-Final Office Action dated Dec. 15, 2016 in U.S. Appl. No. 14/938,180.
- USPTO; Notice of Allowance dated Nov. 9, 2017 in U.S. Appl. No. 14/938,180.
- USPTO; Non-Final Office Action dated Apr. 14, 2017 in U.S. Appl. No. 14/956,115.
- USPTO; Final Office Action dated Jul. 21, 2017 in U.S. Appl. No. 14/956,115.
- USPTO; Notice of Allowance dated Dec. 14, 2017 in U.S. Appl. No. 14/956,115.
- USPTO; Notice of Allowance dated Feb. 3, 2017 in U.S. Appl. No. 14/977,291.
- USPTO; Non-Final Office Action dated Aug. 12, 2016 in U.S. Appl. No. 14/981,434.
- USPTO; Notice of Allowance dated Nov. 21, 2016 in U.S. Appl. No. 14/981,434.
- USPTO; Non-Final Office Action dated Jan. 12, 2017 in U.S. Appl. No. 14/981,468.
- USPTO; Notice of Allowance dated Jun. 7, 2017 in U.S. Appl. No. 14/981,468.
- USPTO; Non-Final Office Action dated Mar. 22, 2016 in U.S. Appl. No. 14/987,420.
- USPTO; Final Office Action dated Jun. 10, 2016 in U.S. Appl. No. 14/987,420.
- USPTO; Non-Final Office Action dated Dec. 14, 2016 in U.S. Appl. No. 14/997,683.
- USPTO; Final Office Action dated Apr. 14, 2017 in U.S. Appl. No. 14/997,683.
- USPTO; Non-Final Office Action dated Sep. 1, 2017 in U.S. Appl. No. 14/997,683.
- USPTO; Final Office Action dated Feb. 6, 2018 in U.S. Appl. No. 14/997,683.
- USPTO; Advisory Action dated May 2, 2018 in U.S. Appl. No. 14/997,683.
- USPTO; Non-Final Office Action dated Jun. 20, 2018 in U.S. Appl. No. 14/997,683.
- USPTO; Final Office Action dated Dec. 10, 2018 in U.S. Appl. No. 14/997,683.
- USPTO; Notice of Allowance dated Mar. 25, 2019 in U.S. Appl. No. 14/997,683.
- USPTO; Non-Final Office Action dated Sep. 23, 2016 in U.S. Appl. No. 15/048,422.
- USPTO; Notice of Allowance dated May 4, 2017 in U.S. Appl. No. 15/048,422.
- USPTO; Non-Final Office Action dated Aug. 4, 2017 in U.S. Appl. No. 15/050,159.
- USPTO; Notice of Allowance dated Feb. 7, 2018 in U.S. Appl. No. 15/050,159.
- USPTO; Non-Final Office Action dated Apr. 22, 2016 in U.S. Appl. No. 15/055,122.
- USPTO; Notice of Allowance dated Sep. 15, 2016 in U.S. Appl. No. 15/055,122.
- USPTO; Non-Final Office Action dated Feb. 20, 2018 in U.S. Appl. No. 15/060,412.
- USPTO; Final Office Action dated Oct. 19, 2018 in U.S. Appl. No. 15/060,412.
- USPTO; Non-Final Office Action dated Jun. 3, 2019 in U.S. Appl. No. 15/060,412.
- USPTO; Final Office Action dated Dec. 26, 2019 in U.S. Appl. No. 15/060,412.
- USPTO; Notice of Allowance dated Mar. 5, 2020 in U.S. Appl. No. 15/060,412.
- USPTO; Non-Final Office Action dated Aug. 27, 2018 in U.S. Appl. No. 15/067,028.
- USPTO; Notice of Allowance dated Dec. 21, 2018 in U.S. Appl. No. 15/067,028.
- USPTO; Non-Final Office Action dated Sep. 26, 2018 in U.S. Appl. No. 15/074,813.
- USPTO; Notice of Allowance dated Feb. 25, 2019 in U.S. Appl. No. 15/074,813.
- USPTO; Non-Final Office Action dated Jan. 9, 2018 in U.S. Appl. No. 15/135,224.
- USPTO; Notice of Allowance dated Jun. 29, 2018 in U.S. Appl. No. 15/135,224.

(56)

**References Cited**

## OTHER PUBLICATIONS

- USPTO; Non-Final Office Action dated Jan. 9, 2018 in U.S. Appl. No. 15/135,258.
- USPTO; Final Office Action dated Jul. 6, 2018 in U.S. Appl. No. 15/135,258.
- USPTO; Non-Final Office Action dated Nov. 23, 2018 in U.S. Appl. No. 15/135,258.
- USPTO; Final Office Action dated Mar. 14, 2019 in U.S. Appl. No. 15/135,258.
- USPTO; Non-Final Office Action dated Jul. 19, 2019 in U.S. Appl. No. 15/135,258.
- USPTO; Final Office Action dated Oct. 24, 2019 in U.S. Appl. No. 15/135,258.
- USPTO; Advisory Action dated Jan. 3, 2020 in U.S. Appl. No. 15/135,258.
- USPTO; Non-Final Office Action dated Feb. 13, 2020 in U.S. Appl. No. 15/135,258.
- USPTO; Final Office Action dated Jun. 1, 2020 in U.S. Appl. No. 15/135,258.
- USPTO; Non-Final Office Action dated Jan. 9, 2018 in U.S. Appl. No. 15/135,333.
- USPTO; Notice of Allowance dated Aug. 18, 2020 in U.S. Appl. No. 15/135,258.
- USPTO; Notice of Allowance dated Sep. 14, 2018 in U.S. Appl. No. 15/135,333.
- USPTO; Non-Final Office Action dated Nov. 21, 2016 in U.S. Appl. No. 15/144,481.
- USPTO; Final Office Action dated May 26, 2017 in U.S. Appl. No. 15/144,481.
- USPTO; Non-Final Office Action dated Sep. 21, 2017 in U.S. Appl. No. 15/144,481.
- USPTO; Notice of Allowance dated Mar. 26, 2018 in U.S. Appl. No. 15/144,481.
- USPTO; Notice of Allowance dated Apr. 11, 2018 in U.S. Appl. No. 15/144,481.
- USPTO; Non-Final Office Action dated Apr. 13, 2017 in U.S. Appl. No. 15/144,506.
- USPTO; Final Office Action dated Oct. 10, 2017 in U.S. Appl. No. 15/144,506.
- USPTO; Final Office Action dated Jul. 26, 2018 in U.S. Appl. No. 15/144,506.
- USPTO; Notice of Allowance dated Mar. 13, 2019 in U.S. Appl. No. 15/144,506.
- USPTO; Non-Final Office Action dated Oct. 9, 2018 in U.S. Appl. No. 15/182,504.
- USPTO; Final Office Action dated Mar. 28, 2019 in U.S. Appl. No. 15/182,504.
- USPTO; Notice of Allowance dated Jul. 17, 2019 in U.S. Appl. No. 15/182,504.
- USPTO; Non-Final Office Action dated Nov. 28, 2016 in U.S. Appl. No. 15/203,632.
- USPTO; Final Office Action dated Jun. 7, 2017 in U.S. Appl. No. 15/203,632.
- USPTO; Advisory Action dated Aug. 23, 2017 in U.S. Appl. No. 15/203,632.
- USPTO; Notice of Allowance dated Sep. 20, 2017 in U.S. Appl. No. 15/203,632.
- USPTO; Non-Final Office Action dated Nov. 29, 2016 in U.S. Appl. No. 15/203,642.
- USPTO; Final Office Action dated Apr. 13, 2017 in U.S. Appl. No. 15/203,642.
- USPTO; Advisory Action dated Jun. 22, 2017 in U.S. Appl. No. 15/203,642.
- USPTO; Notice of Allowance dated Aug. 7, 2017 in U.S. Appl. No. 15/203,642.
- USPTO; Non-Final Office Action dated Jun. 1, 2017 in U.S. Appl. No. 15/205,827.
- USPTO; Final Office Action dated Oct. 16, 2017 in U.S. Appl. No. 15/205,827.
- USPTO; Non-Final Office Action dated May 14, 2018 in U.S. Appl. No. 15/205,827.
- USPTO; Final Office Action dated Oct. 9, 2018 in U.S. Appl. No. 15/205,827.
- USPTO; Non-Final Office Action dated Mar. 28, 2019 in U.S. Appl. No. 15/205,827.
- USPTO; Final Office Action dated Aug. 9, 2019 in U.S. Appl. No. 15/205,827.
- USPTO; Advisory Action dated Oct. 22, 2019 in U.S. Appl. No. 15/205,827.
- USPTO; Notice of Allowance dated Dec. 3, 2019 in U.S. Appl. No. 15/205,827.
- USPTO; Non-Final Office Action dated Mar. 31, 2017 in U.S. Appl. No. 15/205,890.
- USPTO; Notice of Allowance dated Oct. 16, 2017 in U.S. Appl. No. 15/205,890.
- USPTO; Non-Final Office Action dated Jan. 20, 2017 in U.S. Appl. No. 15/210,256.
- USPTO; Notice of Allowance dated May 18, 2017 in U.S. Appl. No. 15/210,256.
- USPTO; Notice of Allowance dated Jul. 24, 2017 in U.S. Appl. No. 15/210,256.
- USPTO; Non-Final Office Action dated Apr. 21, 2017 in U.S. Appl. No. 15/222,715.
- USPTO; Notice of Allowance dated Jul. 14, 2017 in U.S. Appl. No. 15/222,715.
- USPTO; Notice of Allowance dated Sep. 27, 2017 in U.S. Appl. No. 15/222,715.
- USPTO; Non-Final Office Action dated Feb. 3, 2017 in U.S. Appl. No. 15/222,738.
- USPTO; Notice of Allowance dated May 22, 2017 in U.S. Appl. No. 15/222,738.
- USPTO; Notice of Allowance dated Aug. 23, 2017 in U.S. Appl. No. 15/222,738.
- USPTO; Non-Final Office Action dated Jan. 17, 2017 in U.S. Appl. No. 15/222,749.
- USPTO; Final Office Action dated May 5, 2017 in U.S. Appl. No. 15/222,749.
- USPTO; Non-Final Office Action dated Sep. 7, 2017 in U.S. Appl. No. 15/222,749.
- USPTO; Final Office Action dated Jun. 4, 2018 in U.S. Appl. No. 15/222,749.
- USPTO; Notice of Allowance dated Aug. 30, 2018 in U.S. Appl. No. 15/222,749.
- USPTO; Non-Final Office Action dated Jan. 3, 2017 in U.S. Appl. No. 15/222,780.
- USPTO; Final Office Action dated May 5, 2017 in U.S. Appl. No. 15/222,780.
- USPTO; Non-Final Office Action dated Sep. 7, 2017 in U.S. Appl. No. 15/222,780.
- USPTO; Final Office Action dated May 17, 2018 in U.S. Appl. No. 15/222,780.
- USPTO; Non-Final Office Action dated Oct. 1, 2018 in U.S. Appl. No. 15/222,780.
- USPTO; Notice of Allowance dated Apr. 19, 2019 in U.S. Appl. No. 15/222,780.
- USPTO; Notice of Allowance dated Jul. 12, 2018 in U.S. Appl. No. 15/254,605.
- USPTO; Non-Final Office Action dated Aug. 28, 2017 in U.S. Appl. No. 15/254,724.
- USPTO; Notice of Allowance dated Jan. 17, 2018 in U.S. Appl. No. 15/254,724.
- USPTO; Notice of Allowance dated Apr. 2, 2018 in U.S. Appl. No. 15/254,724.
- USPTO; Non-Final Office Action dated May 22, 2018 in U.S. Appl. No. 15/262,990.
- USPTO; Non-Final Office Action dated Sep. 13, 2018 in U.S. Appl. No. 15/262,990.
- USPTO; Non-Final Office Action dated Jan. 30, 2019 in U.S. Appl. No. 15/262,990.
- USPTO; Final Office Action dated May 13, 2019 in U.S. Appl. No. 15/262,990.

(56)

**References Cited**

## OTHER PUBLICATIONS

- USPTO; Advisory Action dated Jul. 22, 2019 in U.S. Appl. No. 15/262,990.
- USPTO; Non-Final Office Action dated Aug. 5, 2019 in U.S. Appl. No. 15/262,990.
- USPTO; Final Office Action dated Nov. 19, 2019 in U.S. Appl. No. 15/262,990.
- USPTO; Advisory Action dated Jan. 30, 2020 in U.S. Appl. No. 15/262,990.
- USPTO; Non-Final Office Action dated Oct. 6, 2020 in U.S. Appl. No. 15/262,990.
- USPTO; Non-Final Office Action dated Aug. 3, 2018 in U.S. Appl. No. 15/273,488.
- USPTO; Final Office Action dated Jan. 11, 2019 in U.S. Appl. No. 15/273,488.
- USPTO; Notice of Allowance dated Apr. 19, 2019 in U.S. Appl. No. 15/273,488.
- USPTO; Non-Final Office Action dated Jul. 2, 2018 in U.S. Appl. No. 15/286,503.
- USPTO; Final Office Action dated Feb. 7, 2019 in U.S. Appl. No. 15/286,503.
- USPTO; Non-Final Office Action dated Jun. 27, 2019 in U.S. Appl. No. 15/286,503.
- USPTO; Final Office Action dated Jan. 6, 2020 in U.S. Appl. No. 15/286,503.
- USPTO; Advisory Action dated Mar. 31, 2020 in U.S. Appl. No. 15/286,503.
- USPTO; Non-Final Office Action dated Apr. 16, 2020 in U.S. Appl. No. 15/286,503.
- USPTO; Final Office Action dated Oct. 2, 2020 in U.S. Appl. No. 15/286,503.
- USPTO; Non-Final Office Action dated Dec. 24, 2020 in U.S. Appl. No. 15/286,503.
- USPTO; Non-Final Office Action dated Dec. 14, 2018 in U.S. Appl. No. 15/340,512.
- USPTO; Notice of Allowance dated May 24, 2019 in U.S. Appl. No. 15/340,512.
- USPTO; Non-Final Office Action dated Oct. 23, 2017 in U.S. Appl. No. 15/377,439.
- USPTO; Final Office Action dated Apr. 16, 2018 in U.S. Appl. No. 15/377,439.
- USPTO; Advisory Action dated Aug. 8, 2018 in U.S. Appl. No. 15/377,439.
- USPTO; Non-Final Office Action dated Nov. 14, 2018 in U.S. Appl. No. 15/377,439.
- USPTO; Final Office Action dated Jun. 25, 2019 in U.S. Appl. No. 15/377,439.
- USPTO; Non-Final Office Action dated Nov. 7, 2019 in U.S. Appl. No. 15/377,439.
- USPTO; Final Office Action dated May 13, 2020 in U.S. Appl. No. 15/377,439.
- USPTO; Non-Final Office Action dated Sep. 2, 2020 in U.S. Appl. No. 15/377,439.
- USPTO; Final Office Action dated Feb. 12, 2021 in U.S. Appl. No. 15/377,439.
- USPTO; Notice of Allowance dated Aug. 8, 2017 in U.S. Appl. No. 15/380,895.
- USPTO; Notice of Allowance dated Oct. 11, 2017 in U.S. Appl. No. 15/380,895.
- USPTO; Non-Final Office Action dated May 31, 2019 in U.S. Appl. No. 15/380,909.
- USPTO; Final Office Action dated Dec. 12, 2019 in U.S. Appl. No. 15/380,909.
- USPTO; Non-Final Office Action dated Jul. 1, 2020 in U.S. Appl. No. 15/380,909.
- USPTO; Non-Final Office Action dated Jan. 4, 2018 in U.S. Appl. No. 15/380,921.
- USPTO; Final Office Action dated Jun. 28, 2018 in U.S. Appl. No. 15/380,921.
- USPTO; Non-Final Office Action dated Feb. 25, 2019 in U.S. Appl. No. 15/380,921.
- USPTO; Final Office Action dated Sep. 18, 2019 in U.S. Appl. No. 15/380,921.
- USPTO; Non-Final Office Action dated Jan. 15, 2020 in U.S. Appl. No. 15/380,921.
- USPTO; Final Office Action dated Jul. 23, 2020 in U.S. Appl. No. 15/380,921.
- USPTO Non-Final Office Action dated Dec. 10, 2020 in U.S. Appl. No. 15/380,921.
- USPTO; Non-Final Office Action dated Oct. 3, 2017 in U.S. Appl. No. 15/388,410.
- USPTO; Final Office Action dated May 15, 2018 in U.S. Appl. No. 15/388,410.
- USPTO; Notice of Allowance dated Nov. 14, 2018 in U.S. Appl. No. 15/388,410.
- USPTO; Notice of Allowance dated Dec. 28, 2018 in U.S. Appl. No. 15/388,410.
- USPTO; Non-Final Office Action dated Aug. 11, 2017 in U.S. Appl. No. 15/397,237.
- USPTO; Notice of Allowance dated Dec. 22, 2017 in U.S. Appl. No. 15/397,237.
- USPTO; Non-Final Office Action dated Apr. 12, 2017 in U.S. Appl. No. 15/397,319.
- USPTO; Final Office Action dated Jul. 12, 2017 in U.S. Appl. No. 15/397,319.
- USPTO; Notice of Allowance dated Dec. 15, 2017 in U.S. Appl. No. 15/397,319.
- USPTO; Non-Final Office Action dated Feb. 5, 2019 in U.S. Appl. No. 15/402,993.
- USPTO; Final Office Action dated May 21, 2019 in U.S. Appl. No. 15/402,993.
- USPTO; Advisory Action dated Jul. 29, 2019 in U.S. Appl. No. 15/402,993.
- USPTO; Non-Final Office Action dated Oct. 24, 2019 in U.S. Appl. No. 15/402,993.
- USPTO; Final Office Action dated Feb. 19, 2020 in U.S. Appl. No. 15/402,993.
- USPTO; Advisory Action dated Apr. 2, 2020 in U.S. Appl. No. 15/402,993.
- USPTO; Non-Final Office Action dated May 27, 2020 in U.S. Appl. No. 15/402,993.
- USPTO; Final Office Action dated Sep. 8, 2020 in U.S. Appl. No. 15/402,993.
- USPTO; Advisory Action dated Nov. 9, 2020 in U.S. Appl. No. 15/402,993.
- USPTO; Non-Final Office Action dated Sep. 20, 2018 in U.S. Appl. No. 15/410,503.
- USPTO; Final Office Action dated Feb. 4, 2019 in U.S. Appl. No. 15/410,503.
- USPTO; Non-Final Office Action dated Apr. 25, 2019 in U.S. Appl. No. 15/410,503.
- USPTO; Notice of Allowance dated Aug. 14, 2019 in U.S. Appl. No. 15/410,503.
- USPTO; Non-Final Office Action dated Aug. 7, 2018 in U.S. Appl. No. 15/428,808.
- USPTO; Final Office Action dated Jan. 11, 2019 in U.S. Appl. No. 15/428,808.
- USPTO; Notice of Allowance dated Apr. 25, 2019 in U.S. Appl. No. 15/428,808.
- USPTO; Non-Final Office Action dated Apr. 6, 2018 in U.S. Appl. No. 15/434,051.
- USPTO; Final Office Action dated Aug. 29, 2018 in U.S. Appl. No. 15/434,051.
- USPTO; Advisory Action dated Dec. 4, 2018 in U.S. Appl. No. 15/434,051.
- USPTO; Non-Final Office Action dated Jan. 25, 2019 in U.S. Appl. No. 15/434,051.
- USPTO; Notice of Allowance dated Jun. 3, 2019 in U.S. Appl. No. 15/434,051.
- USPTO; Notice of Allowance dated Oct. 6, 2017 in U.S. Appl. No. 15/450,199.



(56)

**References Cited**

## OTHER PUBLICATIONS

- USPTO; Non-Final Office Action dated Dec. 15, 2017 in U.S. Appl. No. 15/466,149.
- USPTO; Notice of Allowance dated Apr. 20, 2018 in U.S. Appl. No. 15/466,149.
- USPTO; Non-Final Office Action dated Apr. 6, 2018 in U.S. Appl. No. 15/472,750.
- USPTO; Notice of Allowance dated Nov. 30, 2018 in U.S. Appl. No. 15/472,750.
- USPTO; Non-Final Office Action dated Dec. 6, 2017 in U.S. Appl. No. 15/476,035.
- USPTO; Notice of Allowance dated Mar. 21, 2018 in U.S. Appl. No. 15/476,035.
- USPTO; Notice of Allowance dated Aug. 14, 2018 in U.S. Appl. No. 15/476,035.
- USPTO; Non-Final Office Action dated Oct. 4, 2017 in U.S. Appl. No. 15/489,453.
- USPTO; Final Office Action dated Apr. 19, 2018 in U.S. Appl. No. 15/489,453.
- USPTO; Non-Final Office Action dated Sep. 10, 2018 in U.S. Appl. No. 15/489,453.
- USPTO; Final Office Action dated Feb. 27, 2019 in U.S. Appl. No. 15/489,453.
- USPTO; Non-Final Office Action dated Jun. 5, 2019 in U.S. Appl. No. 15/489,453.
- USPTO; Notice of Allowance dated Oct. 7, 2019 in U.S. Appl. No. 15/489,453.
- USPTO; Notice of Allowance dated Dec. 19, 2017 in U.S. Appl. No. 15/489,660.
- USPTO; Final Office Action dated May 1, 2019 in U.S. Appl. No. 15/491,726.
- USPTO; Non-Final Office Action dated May 31, 2018 in U.S. Appl. No. 15/491,726.
- USPTO; Non-Final Office Action dated Oct. 3, 2019 in U.S. Appl. No. 15/491,726.
- USPTO; Final Office Action dated Apr. 17, 2020 in U.S. Appl. No. 15/491,726.
- USPTO; Non-Final Office Action dated Sep. 30, 2020 in U.S. Appl. No. 15/491,726.
- USPTO; Non-Final Office Action dated Jan. 16, 2018 in U.S. Appl. No. 15/499,647.
- USPTO; Notice of Allowance dated May 23, 2018 in U.S. Appl. No. 15/499,647.
- USPTO; Non-Final Office Action dated Jun. 21, 2018 in U.S. Appl. No. 15/499,647.
- USPTO; Notice of Allowance dated Nov. 1, 2018 in U.S. Appl. No. 15/499,647.
- USPTO; Notice of Allowance dated Nov. 15, 2018 in U.S. Appl. No. 15/499,647.
- USPTO; Office Action dated Aug. 30, 2018 in U.S. Appl. No. 15/589,849.
- USPTO; Final Office Action dated Mar. 6, 2019 in U.S. Appl. No. 15/589,849.
- USPTO; Non-Final Office Action dated Jun. 28, 2019 in U.S. Appl. No. 15/589,849.
- USPTO; Final Office Action dated Jan. 8, 2020 in U.S. Appl. No. 15/589,849.
- USPTO; Notice of Allowance dated Feb. 28, 2020 in U.S. Appl. No. 15/589,849.
- USPTO; Office Action dated May 3, 2018 in U.S. Appl. No. 15/589,861.
- USPTO; Non-Final Office Action dated Dec. 21, 2018 in U.S. Appl. No. 15/589,861.
- USPTO; Final Office Action dated Jun. 26, 2019 in U.S. Appl. No. 15/589,861.
- USPTO; Advisory Action dated Sep. 20, 2019 in U.S. Appl. No. 15/589,861.
- USPTO; Non-Final Office Action dated Jan. 13, 2020 in U.S. Appl. No. 15/589,861.
- USPTO; Final Office Action dated Jul. 8, 2020 in U.S. Appl. No. 15/589,861.
- USPTO; Notice of Allowance dated Oct. 16, 2020 in U.S. Appl. No. 15/589,861.
- USPTO; Non-Final Office Action dated Apr. 4, 2018 in U.S. Appl. No. 15/592,730.
- USPTO; Final Office Action dated Nov. 16, 2018 in U.S. Appl. No. 15/592,730.
- USPTO; Advisory Action dated Mar. 15, 2019 in U.S. Appl. No. 15/592,730.
- USPTO; Notice of Allowance dated Aug. 21, 2019 in U.S. Appl. No. 15/592,730.
- USPTO; Non-Final Office Action dated Mar. 7, 2019 in U.S. Appl. No. 15/598,169.
- USPTO; Final Office Action dated Jun. 25, 2019 in U.S. Appl. No. 15/598,169.
- USPTO; Notice of Allowance dated Sep. 11, 2019 in U.S. Appl. No. 15/598,169.
- USPTO; Non-Final Office Action dated Mar. 10, 2020 in U.S. Appl. No. 15/611,707.
- USPTO; Final Office Action dated Sep. 16, 2020 in U.S. Appl. No. 15/611,707.
- USPTO; Advisory Action dated Nov. 20, 2020 in U.S. Appl. No. 15/611,707.
- USPTO; Non-Final Office Action dated Feb. 3, 2021 in U.S. Appl. No. 15/611,707.
- USPTO; Ex Parte Quayle Action dated Mar. 21, 2019 in U.S. Appl. No. 15/615,489.
- USPTO; Non-Final Office Action dated Sep. 4, 2019 in U.S. Appl. No. 15/615,489.
- USPTO; Notice of Allowance dated Feb. 28, 2020 in U.S. Appl. No. 15/615,489.
- USPTO; Non-Final Office Action dated Feb. 1, 2019 in U.S. Appl. No. 15/627,189.
- USPTO; Notice of Allowance dated May 21, 2019 in U.S. Appl. No. 15/627,189.
- USPTO; Non-Final Office Action dated Nov. 9, 2018 in U.S. Appl. No. 15/636,307.
- USPTO; Final Office Action dated Mar. 6, 2019 in U.S. Appl. No. 15/636,307.
- USPTO; Non-Final Office Action dated Jul. 16, 2019 in U.S. Appl. No. 15/636,307.
- USPTO; Final Office Action dated Nov. 12, 2019 in U.S. Appl. No. 15/636,307.
- USPTO; Advisory Action dated Jan. 17, 2020 in U.S. Appl. No. 15/636,307.
- USPTO; Non-Final Office Action dated Mar. 11, 2020 in U.S. Appl. No. 15/636,307.
- USPTO; Final Office Action dated Jun. 16, 2020 in U.S. Appl. No. 15/636,307.
- USPTO; Non-Final Office Action dated Sep. 3, 2020 in U.S. Appl. No. 15/636,307.
- USPTO; Final Office Action dated Jan. 19, 2021 in U.S. Appl. No. 15/636,307.
- USPTO; Notice of Allowance dated Jul. 18, 2018 in U.S. Appl. No. 15/640,239.
- USPTO; Notice of Allowance dated Aug. 30, 2018 in U.S. Appl. No. 15/640,239.
- USPTO; Non-Final Office Action dated Jun. 5, 2018 in U.S. Appl. No. 15/650,686.
- USPTO; Final Office Action dated Nov. 20, 2018 in U.S. Appl. No. 15/650,686.
- USPTO; Notice of Allowance dated Jun. 24, 2019 in U.S. Appl. No. 15/650,686.
- USPTO; Non-Final Office Action dated Sep. 21, 2018 in U.S. Appl. No. 15/659,631.
- USPTO; Notice of Allowance dated Feb. 21, 2019 in U.S. Appl. No. 15/659,631.
- USPTO; Non-Final Office Action dated Jul. 29, 2019 in U.S. Appl. No. 15/660,797.
- USPTO; Notice of Allowance dated Nov. 7, 2019 in U.S. Appl. No. 15/660,797.

(56)

**References Cited**

## OTHER PUBLICATIONS

- USPTO; Non-Final Office Action dated Aug. 9, 2018 in U.S. Appl. No. 15/660,805.
- USPTO; Non-Final Office Action dated Mar. 1, 2019 in U.S. Appl. No. 15/660,805.
- USPTO; Notice of Allowance dated Aug. 22, 2019 in U.S. Appl. No. 15/660,805.
- USPTO; Non-Final Office Action dated Aug. 27, 2018 in U.S. Appl. No. 15/662,107.
- USPTO; Notice of Allowance dated Feb. 21, 2019 in U.S. Appl. No. 15/662,107.
- USPTO; Non-Final Office Action dated Dec. 4, 2018 in U.S. Appl. No. 15/672,063.
- USPTO; Notice of Allowance dated Mar. 20, 2019 in U.S. Appl. No. 15/672,063.
- USPTO; Non-Final Office Action dated Oct. 10, 2019 in U.S. Appl. No. 15/672,096.
- USPTO; Final Office Action dated Mar. 27, 2020 in U.S. Appl. No. 15/672,096.
- USPTO; Notice of Allowance dated May 20, 2020 in U.S. Appl. No. 15/672,096.
- USPTO; Notice of Allowance dated Jul. 2, 2020 in U.S. Appl. No. 15/672,096.
- USPTO; Non-Final Office Action dated Feb. 8, 2019 in U.S. Appl. No. 15/672,119.
- USPTO; Final Office Action dated Jul. 16, 2019 in U.S. Appl. No. 15/672,119.
- USPTO; Advisory Action dated Sep. 23, 2019 in U.S. Appl. No. 15/672,119.
- USPTO; Notice of Allowance dated Feb. 7, 2020 in U.S. Appl. No. 15/672,119.
- USPTO; Non-Final Office Action dated Jul. 27, 2018 in U.S. Appl. No. 15/673,110.
- USPTO; Notice of Allowance dated Jan. 9, 2019 in U.S. Appl. No. 15/673,110.
- USPTO; Non-Final Office Action dated Apr. 25, 2018 in U.S. Appl. No. 15/673,278.
- USPTO; Notice of Allowance dated May 6, 2019 in U.S. Appl. No. 15/673,278.
- USPTO; Non-Final Office Action dated Jan. 18, 2018 in U.S. Appl. No. 15/683,701.
- USPTO; Notice of Allowance dated Jan. 9, 2019 in U.S. Appl. No. 15/683,701.
- USPTO; Final Office Action dated Aug. 24, 2018 in U.S. Appl. No. 15/683,701.
- USPTO; Advisory Action dated Nov. 26, 2018 in U.S. Appl. No. 15/683,701.
- USPTO; Non-Final Office Action dated Dec. 18, 2018 in U.S. Appl. No. 15/690,017.
- USPTO; Final Office Action dated Jul. 26, 2019 in U.S. Appl. No. 15/690,017.
- USPTO; Non-Final Office Action dated Nov. 20, 2019 in U.S. Appl. No. 15/690,017.
- USPTO; Final Office Action dated May 27, 2020 in U.S. Appl. No. 15/690,017.
- USPTO; Advisory Action dated Aug. 6, 2020 in U.S. Appl. No. 15/690,017.
- USPTO; Non-Final Office Action dated Aug. 24, 2020 in U.S. Appl. No. 15/690,017.
- USPTO; Non-Final Office Action dated Aug. 9, 2018 in U.S. Appl. No. 15/691,241.
- USPTO; Final Office Action dated Jan. 11, 2019 in U.S. Appl. No. 15/691,241.
- USPTO; Non-Final Office Action dated Mar. 19, 2019 in U.S. Appl. No. 15/691,241.
- USPTO; Final Office Action dated Jan. 24, 2020 in U.S. Appl. No. 15/691,241.
- USPTO; Advisory Action dated Jun. 19, 2020 in U.S. Appl. No. 15/691,241.
- USPTO; Non-Final Office Action dated Oct. 6, 2020 in U.S. Appl. No. 15/691,241.
- USPTO; Non-Final Office Action dated Dec. 6, 2018 in U.S. Appl. No. 15/705,955.
- USPTO; Notice of Allowance dated Apr. 16, 2019 in U.S. Appl. No. 15/705,955.
- USPTO; Non-Final Office Action dated Feb. 11, 2019 in U.S. Appl. No. 15/707,786.
- USPTO; Final Office Action dated Aug. 12, 2019 in U.S. Appl. No. 15/707,786.
- USPTO; Notice of Allowance dated Nov. 7, 2019 in U.S. Appl. No. 15/707,786.
- USPTO; Non-Final Office Action dated Jun. 14, 2018 in U.S. Appl. No. 15/711,989.
- USPTO; Notice of Allowance dated Dec. 6, 2018 in U.S. Appl. No. 15/711,989.
- USPTO; Non-Final Office Action dated May 29, 2018 in U.S. Appl. No. 15/719,208.
- USPTO; Final Office Action dated Dec. 13, 2018 in U.S. Appl. No. 15/719,208.
- USPTO; Non-Final Office Action dated Jun. 25, 2019 in U.S. Appl. No. 15/719,208.
- USPTO; Notice of Allowance dated Jan. 29, 2020 in U.S. Appl. No. 15/719,208.
- USPTO; Non-Final Office Action dated Oct. 4, 2018 in U.S. Appl. No. 15/726,222.
- USPTO; Notice of Allowance dated Apr. 19, 2019 in U.S. Appl. No. 15/726,222.
- USPTO; Non-Final Office Action dated Apr. 19, 2018 in U.S. Appl. No. 15/726,959.
- USPTO; Final Office Action dated Nov. 14, 2018 in U.S. Appl. No. 15/726,959.
- USPTO; Non-Final Office Action dated Jul. 8, 2019 in U.S. Appl. No. 15/726,959.
- USPTO; Final Office Action dated Jan. 7, 2020 in U.S. Appl. No. 15/726,959.
- USPTO; Advisory Action dated Mar. 16, 2020 in U.S. Appl. No. 15/726,959.
- USPTO; Non-Final Office Action dated Apr. 3, 2020 in U.S. Appl. No. 15/726,959.
- USPTO; Final Office Action dated Sep. 24, 2020 in U.S. Appl. No. 15/726,959.
- USPTO; Non-Final Office Action dated Jan. 6, 2021 in U.S. Appl. No. 15/726,959.
- USPTO; Non-Final Office Action dated Sep. 26, 2019 in U.S. Appl. No. 15/727,432.
- USPTO; Notice of Allowance dated Jan. 6, 2020 in U.S. Appl. No. 15/727,432.
- USPTO; Non-Final Office Action dated May 17, 2018 in U.S. Appl. No. 15/729,485.
- USPTO; Notice of Allowance dated Jan. 23, 2019 in U.S. Appl. No. 15/729,485.
- USPTO; Non-Final Office Action dated Nov. 28, 2018 in U.S. Appl. No. 15/795,056.
- USPTO; Final Office Action dated Apr. 19, 2019 in U.S. Appl. No. 15/795,056.
- USPTO; Final Office Action dated Jul. 31, 2019 in U.S. Appl. No. 15/795,056.
- USPTO; Non-Final Office Action dated Nov. 20, 2019 in U.S. Appl. No. 15/795,056.
- USPTO; Notice of Allowance dated Mar. 12, 2020 in U.S. Appl. No. 15/795,056.
- USPTO; Non-Final Office Action dated Jun. 26, 2018 in U.S. Appl. No. 15/796,593.
- USPTO; Final Office Action dated Feb. 21, 2019 in U.S. Appl. No. 15/796,593.
- USPTO; Non-Final Office Action dated Jun. 14, 2019 in U.S. Appl. No. 15/796,593.
- USPTO; Notice of Allowance dated Dec. 31, 2019 in U.S. Appl. No. 15/796,593.
- USPTO; Non-Final Office Action dated Dec. 26, 2017 in U.S. Appl. No. 15/798,120.

(56)

**References Cited**

## OTHER PUBLICATIONS

- USPTO; Notice of Allowance dated Jun. 13, 2018 in U.S. Appl. No. 15/798,120.
- USPTO; Non-Final Office Action dated Dec. 21, 2018 in U.S. Appl. No. 15/798,150.
- USPTO; Notice of Allowance dated May 14, 2019 in U.S. Appl. No. 15/798,150.
- USPTO; Non-Final Office Action dated Aug. 9, 2018 in U.S. Appl. No. 15/798,201.
- USPTO; Final Office Action dated Dec. 14, 2018 in U.S. Appl. No. 15/798,201.
- USPTO; Non-Final Office Action dated Oct. 2, 2019 in U.S. Appl. No. 15/798,201.
- USPTO; Final Office Action dated Mar. 19, 2020 in U.S. Appl. No. 15/798,201.
- USPTO; Advisory Action dated May 26, 2020 in U.S. Appl. No. 15/798,201.
- USPTO; Non-Final Office Action dated Jul. 10, 2020 in U.S. Appl. No. 15/798,201.
- USPTO; Notice of Allowance dated Oct. 21, 2020 in U.S. Appl. No. 15/798,201.
- USPTO; Non-Final Office Action dated Nov. 15, 2019 in U.S. Appl. No. 15/802,154.
- USPTO; Final Office Action dated Mar. 11, 2020 in U.S. Appl. No. 15/802,154.
- USPTO; Advisory Action dated May 19, 2020 in U.S. Appl. No. 15/802,154.
- USPTO; Non-Final Office Action dated Jul. 2, 2020 in U.S. Appl. No. 15/802,154.
- USPTO; Notice of Allowance dated Oct. 26, 2020 in U.S. Appl. No. 15/802,154.
- USPTO; Non-Final Office Action dated Jul. 2, 2018 in U.S. Appl. No. 15/815,483.
- USPTO; Final Office Action dated Mar. 7, 2019 in U.S. Appl. No. 15/815,483.
- USPTO; Non-Final Office Action dated Aug. 20, 2019 in U.S. Appl. No. 15/815,483.
- USPTO; Final Office Action dated Jan. 13, 2020 in U.S. Appl. No. 15/815,483.
- USPTO; Advisory Action dated Mar. 25, 2020 in U.S. Appl. No. 15/815,483.
- USPTO; Non-Final Office Action dated Apr. 24, 2020 in U.S. Appl. No. 15/815,483.
- USPTO; Notice of Allowance dated Sep. 30, 2020 in U.S. Appl. No. 15/815,483.
- USPTO; Non-Final Office Action dated Sep. 26, 2018 in U.S. Appl. No. 15/832,188.
- USPTO; Notice of Allowance dated Dec. 5, 2017 in U.S. Appl. No. 15/832,188.
- USPTO; Non-Final Office Action dated Mar. 17, 2020 in U.S. Appl. No. 15/835,328.
- USPTO; Final Office Action dated Sep. 17, 2020 in U.S. Appl. No. 15/835,328.
- USPTO; Advisory Action dated Dec. 15, 2020 in U.S. Appl. No. 15/835,328.
- USPTO; Non-Final Office Action dated Feb. 20, 2020 in U.S. Appl. No. 15/835,352.
- USPTO; Final Office Action dated Aug. 6, 2020 in U.S. Appl. No. 15/835,352.
- USPTO; Notice of Allowance dated Jan. 14, 2021 in U.S. Appl. No. 15/835,352.
- USPTO; Non-Final Office Action dated Sep. 10, 2018 in U.S. Appl. No. 15/836,547.
- USPTO; Non-Final Office Action dated Mar. 13, 2019 in U.S. Appl. No. 15/836,547.
- USPTO; Notice of Allowance dated Aug. 16, 2019 in U.S. Appl. No. 15/836,547.
- USPTO; Notice of Allowance dated Aug. 17, 2020 in U.S. Appl. No. 15/843,899.
- USPTO; Non-Final Office Action dated Jul. 31, 2019 in U.S. Appl. No. 15/860,564.
- USPTO; Final Office Action dated Nov. 13, 2019 in U.S. Appl. No. 15/860,564.
- USPTO; Advisory Action dated Jan. 21, 2020 in U.S. Appl. No. 15/860,564.
- USPTO; Non-Final Office Action dated Mar. 30, 2020 in U.S. Appl. No. 15/860,564.
- USPTO; Notice of Allowance dated Jun. 30, 2020 in U.S. Appl. No. 15/860,564.
- USPTO; Non-Final Office Action dated Mar. 20, 2020 in U.S. Appl. No. 15/861,418.
- USPTO; Final Office Action dated Jun. 11, 2020 in U.S. Appl. No. 15/861,418.
- USPTO; Notice of Allowance dated Aug. 19, 2020 in U.S. Appl. No. 15/861,418.
- USPTO; Non-Final Office Action dated Jul. 23, 2018 in U.S. Appl. No. 15/863,340.
- USPTO; Notice of Allowance dated Dec. 10, 2018 in U.S. Appl. No. 15/863,340.
- USPTO; Non-Final Office Action dated Jan. 11, 2019 in U.S. Appl. No. 15/879,209.
- USPTO; Non-Final Office Action dated Jan. 22, 2019 in U.S. Appl. No. 15/879,209.
- USPTO; Final Office Action dated Aug. 21, 2019 in U.S. Appl. No. 15/879,209.
- USPTO; Advisory Action dated Nov. 5, 2019 in U.S. Appl. No. 15/879,209.
- USPTO; Notice of Allowance dated Jan. 16, 2020 in U.S. Appl. No. 15/879,209.
- USPTO; Non-Final Office Action dated Apr. 17, 2019 in U.S. Appl. No. 15/886,225.
- USPTO; Notice of Allowance dated Sep. 23, 2019 in U.S. Appl. No. 15/886,225.
- USPTO; Non-Final Office Action dated Nov. 15, 2018 in U.S. Appl. No. 15/890,037.
- USPTO; Final Office Action dated May 2, 2019 in U.S. Appl. No. 15/890,037.
- USPTO; Non-Final Office Action dated Oct. 24, 2019 in U.S. Appl. No. 15/890,037.
- USPTO; Final Office Action dated Feb. 26, 2020 in U.S. Appl. No. 15/890,037.
- USPTO; Advisory Action dated Jun. 5, 2020 in U.S. Appl. No. 15/890,037.
- USPTO; Non-Final Office Action dated Sep. 2, 2020 in U.S. Appl. No. 15/890,037.
- USPTO; Final Office Action dated Jan. 11, 2021 in U.S. Appl. No. 15/890,037.
- USPTO; Notice of Allowance dated Feb. 8, 2019 in U.S. Appl. No. 15/892,756.
- USPTO; Non-Final Office Action dated Apr. 24, 2019 in U.S. Appl. No. 15/896,986.
- USPTO; Final Office Action dated Nov. 19, 2019 in U.S. Appl. No. 15/896,986.
- USPTO; Advisory Action dated Feb. 7, 2020 in U.S. Appl. No. 15/896,986.
- USPTO; Non-Final Office Action dated Mar. 24, 2020 in U.S. Appl. No. 15/896,986.
- USPTO; Final Office Action dated Jun. 15, 2020 in U.S. Appl. No. 15/896,986.
- USPTO; Notice of Allowance dated Aug. 26, 2020 in U.S. Appl. No. 15/896,986.
- USPTO; Non-Final Office Action dated Sep. 19, 2019 in U.S. Appl. No. 15/897,578.
- USPTO; Notice of Allowance dated Mar. 27, 2020 in U.S. Appl. No. 15/897,578.
- USPTO; Non-Final Office Action dated May 30, 2019 in U.S. Appl. No. 15/900,425.
- USPTO; Notice of Allowance dated Dec. 17, 2019 in U.S. Appl. No. 15/900,425.
- USPTO; Non-Final Office Action dated Sep. 9, 2020 in U.S. Appl. No. 15/909,705.

(56)

**References Cited**

## OTHER PUBLICATIONS

USPTO; Non-Final Office Action dated Mar. 8, 2019 in U.S. Appl. No. 15/917,224.  
USPTO; Final Office Action dated Aug. 28, 2019 in U.S. Appl. No. 15/917,224.  
USPTO; Advisory Action dated Nov. 27, 2019 in U.S. Appl. No. 15/917,224.  
USPTO; Non-Final Office Action dated May 1, 2020 in U.S. Appl. No. 15/917,224.  
USPTO; Final Office Action dated Sep. 24, 2020 in U.S. Appl. No. 15/917,224.  
USPTO; Non-Final Office Action dated Feb. 8, 2019 in U.S. Appl. No. 15/917,262.  
USPTO; Final Office Action dated Jun. 14, 2019 in U.S. Appl. No. 15/917,262.  
USPTO; Notice of Allowance dated Aug. 30, 2019 in U.S. Appl. No. 15/917,262.  
USPTO; Non-Final Office Action dated Dec. 23, 2019 in U.S. Appl. No. 15/923,834.  
USPTO; Final Office Action dated Mar. 12, 2020 in U.S. Appl. No. 15/923,834.  
USPTO; Advisory Action dated May 15, 2020 in U.S. Appl. No. 15/923,834.  
USPTO; Non-Final Office Action dated Jul. 6, 2020 in U.S. Appl. No. 15/923,834.  
USPTO; Final Office Action dated Oct. 19, 2020 in U.S. Appl. No. 15/923,834.  
USPTO; Advisory Action dated Jan. 8, 2021 in U.S. Appl. No. 15/923,834.  
USPTO; Non-Final Office Action dated May 8, 2019 in U.S. Appl. No. 15/925,532.  
USPTO; Final Office Action dated Nov. 27, 2019 in U.S. Appl. No. 15/925,532.  
USPTO; Non-Final Office Action dated May 1, 2020 in U.S. Appl. No. 15/925,532.  
USPTO; Final Office Action dated Oct. 15, 2020 in U.S. Appl. No. 15/925,532.  
USPTO; Advisory Action dated Dec. 24, 2020 in U.S. Appl. No. 15/925,532.  
USPTO; Non-Final Office Action dated Jan. 25, 2021 in U.S. Appl. No. 15/925,532.  
USPTO; Non-Final Office Action dated Oct. 6, 2020 in U.S. Appl. No. 15/940,729.  
USPTO; Final Office Action dated Feb. 18, 2021 in U.S. Appl. No. 15/940,729.  
USPTO; Non-Final Office Action dated Jul. 22, 2019 in U.S. Appl. No. 15/940,759.  
USPTO; Final Office Action dated Feb. 19, 2020 in U.S. Appl. No. 15/940,759.  
USPTO; Advisory Action dated Apr. 23, 2020 in U.S. Appl. No. 15/940,759.  
USPTO; Non-Final Office Action dated Aug. 3, 2020 in U.S. Appl. No. 15/940,759.  
USPTO; Final Office Action dated Jan. 12, 2021 in U.S. Appl. No. 15/940,759.  
USPTO; Non-Final Office Action dated Mar. 29, 2019 in U.S. Appl. No. 15/940,801.  
USPTO; Notice of Allowance dated Aug. 26, 2019 in U.S. Appl. No. 15/940,801.  
USPTO; Non-Final Rejection dated Nov. 29, 2019 in U.S. Appl. No. 15/949,990.  
USPTO; Notice of Allowance dated Mar. 12, 2020 in U.S. Appl. No. 15/949,990.  
USPTO; Notice of Allowance dated May 31, 2019 in U.S. Appl. No. 15/957,565.  
USPTO; Non-Final Office Action dated Jan. 31, 2020 in U.S. Appl. No. 15/962,980.  
USPTO; Final Office Action dated Apr. 30, 2020 in U.S. Appl. No. 15/962,980.

USPTO; Advisory Action dated Jul. 2, 2020 in U.S. Appl. No. 15/962,980.  
USPTO; Non-Final Office Action dated Sep. 14, 2020 in U.S. Appl. No. 15/962,980.  
USPTO; Final Office Action dated Dec. 15, 2020 in U.S. Appl. No. 15/962,980.  
USPTO; Non-Final Office Action dated Oct. 6, 2020 in U.S. Appl. No. 15/967,146.  
USPTO; Non-Final Office Action dated Apr. 2, 2020 in U.S. Appl. No. 15/974,948.  
USPTO; Final Office Action dated Sep. 3, 2020 in U.S. Appl. No. 15/974,948.  
USPTO; Advisory Action dated Oct. 27, 2020 in U.S. Appl. No. 15/974,948.  
USPTO; Non-Final Office Action dated May 15, 2020 in U.S. Appl. No. 15/974,988.  
USPTO; Notice of Allowance dated Oct. 14, 2020 in U.S. Appl. No. 15/974,988.  
USPTO; Non-Final Office Action dated Jan. 16, 2020 in U.S. Appl. No. 15/985,261.  
USPTO; Notice of Allowance dated Apr. 3, 2020 in U.S. Appl. No. 15/985,261.  
USPTO; Non-Final Office Action dated Apr. 19, 2019 in U.S. Appl. No. 15/985,298.  
USPTO; Notice of Allowance dated Aug. 22, 2019 in U.S. Appl. No. 15/985,298.  
USPTO; Non-Final Office Action dated Jun. 12, 2020 in U.S. Appl. No. 15/985,539.  
USPTO; Final Office Action dated Nov. 25, 2020 in U.S. Appl. No. 15/985,539.  
USPTO; Non-Final Office Action dated Feb. 21, 2019 in U.S. Appl. No. 15/987,755.  
USPTO; Notice of Allowance dated Jul. 31, 2019 in U.S. Appl. No. 15/987,755.  
USPTO; Non-Final Office Action dated Feb. 20, 2020 in U.S. Appl. No. 15/996,286.  
USPTO; Final Office Action dated Jul. 24, 2020 in U.S. Appl. No. 15/996,286.  
USPTO; Advisory Action dated Oct. 7, 2020 in U.S. Appl. No. 15/996,286.  
USPTO; Non-Final Office Action dated Apr. 1, 2020 in U.S. Appl. No. 15/997,445.  
USPTO; Final Office Action dated Oct. 2, 2020 in U.S. Appl. No. 15/997,445.  
USPTO; Notice of Allowance dated Jul. 10, 2020 in U.S. Appl. No. 15/998,775.  
USPTO; Non-Final Office Action dated Mar. 3, 2020 in U.S. Appl. No. 16/000,109.  
USPTO; Final Office Action dated Sep. 14, 2020 in U.S. Appl. No. 16/000,109.  
USPTO; Advisory Action dated Dec. 10, 2020 in U.S. Appl. No. 16/000,109.  
USPTO; Non-Final Office Action dated Jul. 29, 2019 in U.S. Appl. No. 16/000,125.  
USPTO; Final Office Action dated Jan. 13, 2020 in U.S. Appl. No. 16/000,125.  
USPTO; Advisory Action dated Apr. 3, 2020 in U.S. Appl. No. 16/000,125.  
USPTO; Non-Final Office Action dated Jun. 5, 2020 in U.S. Appl. No. 16/000,125.  
USPTO; Final Office Action dated Oct. 6, 2020 in U.S. Appl. No. 16/000,125.  
USPTO; Advisory Action dated Dec. 15, 2020 in U.S. Appl. No. 16/000,125.  
USPTO; Non-Final Office Action dated Apr. 22, 2020 in U.S. Appl. No. 16/000,156.  
USPTO; Final Office Action dated Oct. 22, 2020 in U.S. Appl. No. 16/000,156.  
USPTO; Advisory Action dated Dec. 14, 2020 in U.S. Appl. No. 16/000,156.  
USPTO; Non-Final Office Action dated May 7, 2020 in U.S. Appl. No. 16/004,041.

(56)

**References Cited**

## OTHER PUBLICATIONS

- USPTO; Final Office Action dated Oct. 15, 2020 in U.S. Appl. No. 16/004,041.
- USPTO; Advisory Action dated Dec. 22, 2020 in U.S. Appl. No. 16/004,041.
- USPTO; Non-Final Office Action dated Jul. 16, 2019 in U.S. Appl. No. 16/014,981.
- USPTO; Non-Final Office Action dated Jan. 16, 2020 in U.S. Appl. No. 16/014,981.
- USPTO; Notice of Allowance dated Jun. 24, 2020 in U.S. Appl. No. 16/014,981.
- USPTO; Non-Final Office Action dated Jan. 24, 2019 in U.S. Appl. No. 16/018,692.
- USPTO; Final Office Action dated Aug. 23, 2019 in U.S. Appl. No. 16/018,692.
- USPTO; Non-Final Office Action dated Dec. 11, 2019 in U.S. Appl. No. 16/018,692.
- USPTO; Notice of Allowance dated Jan. 30, 2020 in U.S. Appl. No. 16/018,692.
- USPTO; Non-Final Office Action dated Aug. 7, 2019 in U.S. Appl. No. 16/024,390.
- USPTO; Notice of Allowance dated Nov. 26, 2019 in U.S. Appl. No. 16/024,390.
- USPTO; Notice of Allowance dated Apr. 9, 2019 in U.S. Appl. No. 16/026,711.
- USPTO; Non-Final Office Action dated Mar. 4, 2020 in U.S. Appl. No. 16/036,692.
- USPTO; Notice of Allowance dated May 26, 2020 in U.S. Appl. No. 16/036,692.
- USPTO; Non-Final Office Action dated Apr. 25, 2019 in U.S. Appl. No. 16/038,024.
- USPTO; Final Office Action dated Nov. 29, 2019 in U.S. Appl. No. 16/038,024.
- USPTO; Advisory Action dated Feb. 28, 2020 in U.S. Appl. No. 16/038,024.
- USPTO; Notice of Allowance dated Mar. 23, 2020 in U.S. Appl. No. 16/038,024.
- USPTO; Non-Final Office Action dated Sep. 8, 2020 in U.S. Appl. No. 16/039,817.
- USPTO; Non-Final Office Action dated Jul. 25, 2019 in U.S. Appl. No. 16/039,867.
- USPTO; Final Office Action dated Jan. 28, 2020 in U.S. Appl. No. 16/039,867.
- USPTO; Notice of Allowance dated Apr. 3, 2020 in U.S. Appl. No. 16/039,867.
- USPTO; Non-Final Office Action dated Nov. 24, 2020 in U.S. Appl. No. 16/039,938.
- USPTO; Non-Final Office Action dated Aug. 4, 2020 in U.S. Appl. No. 16/042,791.
- USPTO; Notice of Allowance dated Jul. 10, 2019 in U.S. Appl. No. 16/046,218.
- USPTO; Non-Final Office Action dated Apr. 30, 2020 in U.S. Appl. No. 16/055,532.
- USPTO; Final Office Action dated Jul. 30, 2020 in U.S. Appl. No. 16/055,532.
- USPTO; Final Office Action dated Nov. 3, 2020 in U.S. Appl. No. 16/055,532.
- USPTO; Advisory Action dated Jan. 14, 2021 in U.S. Appl. No. 16/055,532.
- USPTO; Non-Final Office Action dated May 27, 2020 in U.S. Appl. No. 16/100,012.
- USPTO; Notice of Allowance dated Sep. 14, 2020 in U.S. Appl. No. 16/100,012.
- USPTO; Non-Final Office Action dated Feb. 20, 2020 in U.S. Appl. No. 16/105,745.
- USPTO; Final Office Action dated Jun. 23, 2020 in U.S. Appl. No. 16/105,745.
- USPTO; Advisory Action dated Aug. 25, 2020 in U.S. Appl. No. 16/105,745.
- USPTO; Non-Final Office Action dated Nov. 25, 2020 in U.S. Appl. No. 16/105,745.
- USPTO; Non-Final Office Action dated Feb. 24, 2020 in U.S. Appl. No. 16/105,761.
- USPTO; Final Office Action dated Apr. 21, 2020 in U.S. Appl. No. 16/105,761.
- USPTO; Advisory Action dated Jul. 8, 2020 in U.S. Appl. No. 16/105,761.
- USPTO; Non-Final Office Action dated Nov. 25, 2020 in U.S. Appl. No. 16/105,761.
- USPTO; Non-Final Office Action dated Mar. 19, 2020 in U.S. Appl. No. 16/105,802.
- USPTO; Final Office Action dated Jun. 26, 2020 in U.S. Appl. No. 16/105,802.
- USPTO; Final Office Action dated Nov. 17, 2020 in U.S. Appl. No. 16/105,802.
- USPTO; Non-Final Office Action dated Sep. 8, 2020 in U.S. Appl. No. 16/108,950.
- USPTO; Final Office Action dated Dec. 15, 2020 in U.S. Appl. No. 16/108,950.
- USPTO; Non-Final Office Action dated Mar. 16, 2020 in U.S. Appl. No. 16/116,708.
- USPTO; Final Office Action dated Sep. 2, 2020 in U.S. Appl. No. 16/116,708.
- USPTO; Advisory Action dated Nov. 17, 2020 in U.S. Appl. No. 16/116,708.
- USPTO; Non-Final Office Action dated Feb. 6, 2020 in U.S. Appl. No. 16/117,530.
- USPTO; Final Office Action dated Jan. 6, 2021 in U.S. Appl. No. 16/117,530.
- USPTO; Non-Final Office Action dated Jun. 22, 2020 in U.S. Appl. No. 16/128,282.
- USPTO; Final Office Action dated Nov. 19, 2020 in U.S. Appl. No. 16/128,282.
- USPTO; Notice of Allowance dated Feb. 12, 2021 in U.S. Appl. No. 16/128,282.
- USPTO; Non-Final Office Action dated Apr. 21, 2020 in U.S. Appl. No. 16/130,798.
- USPTO; Notice of Allowance dated Aug. 5, 2020 in U.S. Appl. No. 16/130,798.
- USPTO; Non-Final Office Action dated Jan. 6, 2020 in U.S. Appl. No. 16/132,142.
- USPTO; Final Office Action dated Jun. 5, 2020 in U.S. Appl. No. 16/132,142.
- USPTO; Advisory Action dated Aug. 24, 2020 in U.S. Appl. No. 16/132,142.
- USPTO; Non-Final Office Action dated Oct. 16, 2020 in U.S. Appl. No. 16/132,142.
- USPTO; Notice of Allowance dated Feb. 8, 2021 in U.S. Appl. No. 16/132,142.
- USPTO; Non-Final Office Action dated Feb. 28, 2020 in U.S. Appl. No. 16/137,974.
- USPTO; Final Office Action dated Aug. 20, 2020 in U.S. Appl. No. 16/137,974.
- USPTO; Notice of Allowance dated Nov. 3, 2020 in U.S. Appl. No. 16/137,974.
- USPTO; Non-Final Office Action dated Apr. 2, 2019 in U.S. Appl. No. 16/147,047.
- USPTO; Final Office Action dated Sep. 25, 2019 in U.S. Appl. No. 16/147,047.
- USPTO; Notice of Allowance dated Jan. 3, 2020 in U.S. Appl. No. 16/147,047.
- USPTO; Non-Final Office Action dated Jul. 30, 2020 in U.S. Appl. No. 16/151,074.
- USPTO; Final Office Action dated Dec. 14, 2020 in U.S. Appl. No. 16/151,074.
- USPTO; Advisory Action dated Feb. 16, 2021 in U.S. Appl. No. 16/151,074.
- USPTO; Non-Final Office Action dated Nov. 5, 2019 in U.S. Appl. No. 16/152,260.
- USPTO; Advisory Action dated Sep. 16, 2020 in U.S. Appl. No. 16/152,260.

(56)

**References Cited**

## OTHER PUBLICATIONS

- USPTO; Final Office Action dated Jul. 15, 2020 in U.S. Appl. No. 16/152,260.
- USPTO; Non-Final Office Action dated Nov. 9, 2020 in U.S. Appl. No. 16/152,260.
- USPTO; Non-Final Office Action dated Aug. 6, 2019 in U.S. Appl. No. 16/158,077.
- USPTO; Final Office Action dated Mar. 2, 2020 in U.S. Appl. No. 16/158,077.
- USPTO; Advisory Action dated Jun. 9, 2020 in U.S. Appl. No. 16/158,077.
- USPTO; Notice of Allowance dated Jul. 24, 2020 in U.S. Appl. No. 16/158,077.
- USPTO; Non-Final Office Action dated Aug. 29, 2019 in U.S. Appl. No. 16/161,744.
- USPTO; Final Office Action dated Mar. 17, 2020 in U.S. Appl. No. 16/161,744.
- USPTO; Notice of Allowance dated Jun. 19, 2020 in U.S. Appl. No. 16/161,744.
- USPTO; Non-Final Office Action dated Jul. 23, 2020 in U.S. Appl. No. 16/167,164.
- USPTO; Final Office Action dated Dec. 18, 2020 in U.S. Appl. No. 16/167,164.
- USPTO; Non-Final Office Action dated Aug. 16, 2019 in U.S. Appl. No. 16/167,225.
- USPTO; Final Office Action dated Dec. 16, 2019 in U.S. Appl. No. 16/167,225.
- USPTO; Notice of Allowance dated Mar. 5, 2020 in U.S. Appl. No. 16/167,225.
- USPTO; Notice of Allowance dated Apr. 17, 2019 in U.S. Appl. No. 16/171,098.
- USPTO; Notice of Allowance dated May 1, 2019 in U.S. Appl. No. 16/171,098.
- USPTO; Non-Final Office Action dated Aug. 7, 2020 in U.S. Appl. No. 16/172,535.
- USPTO; Final Office Action dated Oct. 16, 2020 in U.S. Appl. No. 16/172,535.
- USPTO; Advisory Action dated Dec. 21, 2020 in U.S. Appl. No. 16/172,535.
- USPTO; Non-Final Office Action dated Nov. 4, 2020 in U.S. Appl. No. 16/176,517.
- USPTO; Final Office Action dated Jan. 29, 2021 in U.S. Appl. No. 16/176,517.
- USPTO; Non-Final Office Action dated Oct. 29, 2020 in U.S. Appl. No. 16/183,258.
- USPTO; Non-Final Office Action dated Apr. 2, 2019 in U.S. Appl. No. 16/188,690.
- USPTO; Final Office Action dated Sep. 26, 2019 in U.S. Appl. No. 16/188,690.
- USPTO; Notice of Allowance dated Dec. 16, 2019 in U.S. Appl. No. 16/188,690.
- USPTO; Notice of Allowance dated Jul. 28, 2020 in U.S. Appl. No. 16/193,789.
- USPTO; Notice of Allowance dated Jul. 7, 2020 in U.S. Appl. No. 16/194,041.
- USPTO; Notice of Allowance dated Oct. 3, 2019 in U.S. Appl. No. 16/200,100.
- USPTO; Non-Final Office Action dated Dec. 11, 2021 in U.S. Appl. No. 16/202,941.
- USPTO; Non-Final Office Action dated May 29, 2020 in U.S. Appl. No. 16/205,899.
- USPTO; Final Office Action dated Nov. 27, 2020 in U.S. Appl. No. 16/205,899.
- USPTO; Non-Final Office Action dated Aug. 19, 2019 in U.S. Appl. No. 16/208,062.
- USPTO; Notice of Allowance dated Jan. 28, 2020 in U.S. Appl. No. 16/208,062.
- USPTO; Non-Final Office Action dated Jul. 15, 2020 in U.S. Appl. No. 16/210,922.
- USPTO; Final Office Action dated Dec. 9, 2020 in U.S. Appl. No. 16/210,922.
- USPTO; Non-Final Office Action dated Sep. 16, 2019 in U.S. Appl. No. 16/213,702.
- USPTO; Notice of Allowance dated Dec. 9, 2019 in U.S. Appl. No. 16/213,702.
- USPTO; Non-Final Office Action dated Jan. 8, 2020 in U.S. Appl. No. 16/219,555.
- USPTO; Final Office Action dated Jun. 19, 2020 in U.S. Appl. No. 16/219,555.
- USPTO; Advisory Action dated Sep. 11, 2020 in U.S. Appl. No. 16/219,555.
- USPTO; Non-Final Office Action dated Sep. 30, 2020 in U.S. Appl. No. 16/219,555.
- USPTO; Non-Final Office Action dated Feb. 19, 2020 in U.S. Appl. No. 16/242,829.
- USPTO; Final Office Action dated Jun. 15, 2020 in U.S. Appl. No. 16/242,829.
- USPTO; Advisory Action dated Aug. 11, 2020 in U.S. Appl. No. 16/242,829.
- USPTO; Notice of Allowance dated Sep. 23, 2020 in U.S. Appl. No. 16/242,829.
- USPTO; Non-Final Office Action dated Sep. 3, 2020 in U.S. Appl. No. 16/242,852.
- USPTO; Notice of Allowance dated Dec. 15, 2020 in U.S. Appl. No. 16/242,852.
- USPTO; Non-Final Office Action dated Jan. 30, 2020 in U.S. Appl. No. 16/245,006.
- USPTO; Notice of Allowance dated May 29, 2020 in U.S. Appl. No. 16/245,006.
- USPTO; Non-Final Office Action dated Sep. 24, 2019 in U.S. Appl. No. 16/251,534.
- USPTO; Final Office Action dated Jan. 10, 2020 in U.S. Appl. No. 16/251,534.
- USPTO; Advisory Action dated Apr. 3, 2020 in U.S. Appl. No. 16/251,534.
- USPTO; Non-Final Office Action dated Apr. 24, 2020 in U.S. Appl. No. 16/251,534.
- USPTO; Final Office Action dated Oct. 14, 2020 in U.S. Appl. No. 16/251,534.
- USPTO; Non-Final Office Action dated May 27, 2020 in U.S. Appl. No. 16/252,567.
- USPTO; Final Office Action dated Nov. 18, 2020 in U.S. Appl. No. 16/252,567.
- USPTO; Advisory Action dated Jan. 22, 2021 in U.S. Appl. No. 16/252,567.
- USPTO; Non-Final Office Action dated Apr. 16, 2020 in U.S. Appl. No. 16/255,639.
- USPTO; Notice of Allowance dated Aug. 6, 2020 in U.S. Appl. No. 16/255,639.
- USPTO; Non-Final Office Action dated Jun. 30, 2020 in U.S. Appl. No. 16/258,187.
- USPTO; Notice of Allowance dated Aug. 5, 2020 in U.S. Appl. No. 16/258,187.
- USPTO; Non-Final Office Action dated Dec. 18, 2019 in U.S. Appl. No. 16/280,964.
- USPTO; Notice of Allowance dated May 21, 2020 in U.S. Appl. No. 16/280,964.
- USPTO; Non-Final Office Action dated Jan. 9, 2020 in U.S. Appl. No. 16/317,774.
- USPTO; Notice of Allowance dated Apr. 15, 2020 in U.S. Appl. No. 16/317,774.
- USPTO; Non-Final Office Action dated Mar. 2, 2020 in U.S. Appl. No. 16/356,394.
- USPTO; Final Office Action dated Jun. 30, 2020 in U.S. Appl. No. 16/356,394.
- USPTO; Notice of Allowance dated Aug. 31, 2020 in U.S. Appl. No. 16/356,394.
- USPTO; Notice of Allowance dated Jun. 13, 2019 in U.S. Appl. No. 16/396,475.
- USPTO; Non-Final Office Action dated Aug. 5, 2020 in U.S. Appl. No. 16/397,045.

(56)

**References Cited**

## OTHER PUBLICATIONS

- USPTO; Final Office Action dated Dec. 8, 2020 in U.S. Appl. No. 16/397,045.
- USPTO; Advisory Action dated Jan. 27, 2021 in U.S. Appl. No. 16/397,045.
- USPTO; Non-Final Office Action dated Aug. 19, 2020 in U.S. Appl. No. 16/400,814.
- USPTO; Final Office Action dated Dec. 14, 2020 in U.S. Appl. No. 16/400,814.
- USPTO; Non-Final Office Action dated Dec. 26, 2019 in U.S. Appl. No. 16/417,938.
- USPTO; Notice of Allowance dated Mar. 30, 2020 in U.S. Appl. No. 16/417,938.
- USPTO; Non-Final Office Action dated Dec. 31, 2019 in U.S. Appl. No. 16/427,288.
- USPTO; Notice of Allowance dated Apr. 16, 2020 in U.S. Appl. No. 16/427,288.
- USPTO; Non-Final Office Action dated Jan. 12, 2021 in U.S. Appl. No. 16/453,249.
- USPTO; Non-Final Office Action dated May 12, 2020 in U.S. Appl. No. 16/454,063.
- USPTO; Notice of Allowance dated Sep. 18, 2020 in U.S. Appl. No. 16/454,063.
- USPTO; Non-Final Office Action dated Dec. 31, 2019 in U.S. Appl. No. 16/455,406.
- USPTO; Notice of Allowance dated Apr. 17, 2020 in U.S. Appl. No. 16/455,406.
- USPTO; Non-Final Office Action dated Nov. 27, 2020 in U.S. Appl. No. 16/468,258.
- USPTO; Non-Final Office Action dated Dec. 28, 2020 in U.S. Appl. No. 16/517,122.
- USPTO; Non-Final Office Action dated Nov. 5, 2020 in U.S. Appl. No. 16/546,543.
- USPTO; Non-Final Office Action dated Feb. 11, 2021 in U.S. Appl. No. 16/565,460.
- USPTO; Non-Final Office Action dated Jun. 11, 2020 in U.S. Appl. No. 16/598,768.
- USPTO; Notice of Allowance dated Sep. 16, 2020 in U.S. Appl. No. 16/598,768.
- USPTO; Final Office Action dated Jan. 10, 2020 in U.S. Appl. No. 16/674,894.
- USPTO; Notice of Allowance dated Apr. 21, 2020 in U.S. Appl. No. 16/674,894.
- USPTO; Non-Final Office Action dated Oct. 16, 2020 in U.S. Appl. No. 16/679,885.
- USPTO; Notice of Allowance dated Jan. 25, 2021 in U.S. Appl. No. 16/679,885.
- USPTO; Non-Final Office Action dated Feb. 8, 2021 in U.S. Appl. No. 16/685,787.
- USPTO; Non-Final Office Action dated Nov. 16, 2020 in U.S. Appl. No. 16/713,311.
- USPTO; Non-Final Office Action dated Jan. 8, 2021 in U.S. Appl. No. 16/752,514.
- USPTO; Non-Final Office Action dated Apr. 13, 2020 in U.S. Appl. No. 16/833,279.
- USPTO; Final Office Action dated Oct. 2, 2020 in U.S. Appl. No. 16/833,279.
- USPTO; Notice of Allowance dated Dec. 28, 2020 in U.S. Appl. No. 16/833,279.
- USPTO; Non-Final Office Action dated Jul. 9, 2020 in U.S. Appl. No. 16/897,158.
- USPTO; Notice of Allowance dated Nov. 12, 2020 in U.S. Appl. No. 16/897,158.
- USPTO; Non-Final Office Action dated Aug. 4, 2020 in U.S. Appl. No. 16/926,192.
- USPTO; Notice of Allowance dated May 14, 2012 in U.S. Appl. No. 29/411,637.
- USPTO; Notice of Allowance dated Oct. 2, 2013 in U.S. Appl. No. 29/412,887.
- USPTO; Non-Final Office Action dated Mar. 16, 2015 in U.S. Appl. No. 29/447,298.
- USPTO; Notice of Allowance dated Jul. 6, 2015 in U.S. Appl. No. 29/447,298.
- USPTO; Notice of Allowance dated Dec. 19, 2013 in U.S. Appl. No. 29/448,094.
- USPTO; Notice of Allowance dated Nov. 26, 2014 in U.S. Appl. No. 29/481,301.
- USPTO; Notice of Allowance dated Feb. 17, 2015 in U.S. Appl. No. 29/481,308.
- USPTO; Notice of Allowance dated Jan. 12, 2015 in U.S. Appl. No. 29/481,312.
- USPTO; Notice of Allowance dated Apr. 30, 2015 in U.S. Appl. No. 29/481,315.
- USPTO; Notice of Allowance dated May 11, 2015 in U.S. Appl. No. 29/511,011.
- USPTO; Notice of Allowance dated May 11, 2015 in U.S. Appl. No. 29/514,153.
- USPTO; Notice of Allowance dated Dec. 14, 2015 in U.S. Appl. No. 29/514,264.
- USPTO; Notice of Allowance dated Jun. 16, 2017 in U.S. Appl. No. 29/570,711.
- USPTO; Non-Final Office Action dated Apr. 16, 2019 in U.S. Appl. No. 29/604,101.
- USPTO; Notice of Allowance dated Oct. 30, 2019 in U.S. Appl. No. 29/604,101.
- USPTO; Notice of Allowance dated Jun. 26, 2018 in U.S. Appl. No. 29/604,288.
- USPTO; Ex Parte Quayle Action dated Dec. 17, 2019 in U.S. Appl. No. 29/615,000.
- USPTO; Notice of Allowance dated Jun. 10, 2020 in U.S. Appl. No. 29/615,000.
- USPTO; Non-Final Office Action dated Aug. 21, 2019 in U.S. Appl. No. 29/634,768.
- USPTO; Notice of Allowance dated Jan. 23, 2020 in U.S. Appl. No. 29/634,768.
- USPTO; Non-Final Office Action dated Feb. 20, 2019 in U.S. Appl. No. 29/646,377.
- USPTO; Final Office Action dated Jul. 15, 2019 in U.S. Appl. No. 29/646,377.
- USPTO; Notice of Allowance dated Nov. 14, 2019 in U.S. Appl. No. 29/646,377.
- USPTO; Non-Final Office Action dated Apr. 24, 2020 in U.S. Appl. No. 29/726,623.
- USPTO; Final Office Action dated Sep. 9, 2020 in U.S. Appl. No. 29/726,623.
- USPTO; Notice of Allowance dated Nov. 23, 2020 in U.S. Appl. No. 29/726,623.
- WIPO; International Search Report dated Oct. 13, 1998 in Application No. PCT/FI1998/000571.
- WIPO; International Search Report and Written Opinion dated Nov. 16, 2017 in Application No. PCT/IB2017/001015.
- WIPO; International Search Report and Written Opinion dated Nov. 13, 2017 in Application No. PCT/IB2017/001050.
- WIPO; International Search Report and Written Opinion dated Nov. 30, 2017 in Application No. PCT/IB2017/001070.
- WIPO; International Search Report and Written Opinion dated Jan. 25, 2018 in Application No. PCT/IB2017/001262.
- WIPO; International Search Report and Written Opinion dated Sep. 14, 2018 in Application No. PCT/IB2017/001640.
- WIPO; International Search Report and Written Opinion dated Jun. 1, 2018 in Application No. PCT/IB2017/001644.
- WIPO; International Search Report and Written Opinion dated Nov. 6, 2018 in Application No. PCT/IB2017/001652.
- WIPO; International Search Report and Written Opinion dated Jun. 1, 2018 in Application No. PCT/IB2017/001656.
- WIPO; International Search Report and Written Opinion dated Jan. 25, 2019 in Application No. PCT/IB2018/000192.
- WIPO; International Search Report and Written Opinion dated Jul. 9, 2018 in Application No. PCT/IB2018/000419.
- WIPO; International Search Report and Written Opinion dated Jan. 4, 2019 in Application No. PCT/IB2018/000936.

(56)

## References Cited

## OTHER PUBLICATIONS

- WIPO; International Search Report and Written Opinion dated Dec. 20, 2018 in Application No. PCT/IB2018/001003.
- WIPO; International Search Report and Written Opinion dated Dec. 20, 2018 in Application No. PCT/IB2018/001022.
- WIPO; International Search Report and Written Opinion dated Jun. 28, 2019 in Application No. PCT/IB2019/000084.
- WIPO; International Search Report and Written Opinion dated Nov. 19, 2019 in Application No. PCT/IB2019/000127.
- WIPO; International Search Report and Written Opinion dated Jan. 10, 2020 in Application No. PCT/IB2019/000729.
- WIPO; International Search Report and Written Opinion dated Dec. 20, 2019 in Application No. PCT/IB2019/000805.
- WIPO; International Search Report and Written Opinion dated Dec. 20, 2019 in Application No. PCT/IB2019/000817.
- WIPO; International Search Report and Written Opinion dated May 23, 2019 in Application No. PCT/IB2019/050974.
- WIPO; International Search Report dated Jul. 13, 1990 in Application No. PCT/NL1990/000027.
- WIPO; International Search Report dated Jan. 11, 1990 in Application No. PCT/NL1990/000042.
- WIPO; International Search Report dated Feb. 26, 1991 in Application No. PCT/NL1990/000166.
- WIPO; International Search Report dated Oct. 25, 1991 in Application No. PCT/NL1991/000108.
- WIPO; International Search Report dated Oct. 17, 1997 in Application No. PCT/NL1997/000398.
- WIPO; International Preliminary Examination Report dated Oct. 2, 1998 in Application No. PCT/NL1997/000398.
- WIPO; International Search Report dated Apr. 24, 1998 in Application No. PCT/NL1998/000055.
- WIPO; International Preliminary Examination Report dated Feb. 24, 1999 in Application No. PCT/NL1998/000055.
- WIPO; International Search Report dated May 27, 1998 in Application No. PCT/NL1998/000105.
- WIPO; International Search Report dated May 8, 1998 in Application No. PCT/NL1998/000151.
- WIPO; International Preliminary Examination Report dated Mar. 23, 1999 in Application No. PCT/NL1998/000151.
- WIPO; International Search Report dated May 27, 1998 in Application No. PCT/NL1998/000167.
- WIPO; International Preliminary Examination Report dated Jul. 13, 1999 in Application No. PCT/NL1998/000167.
- WIPO; International Search Report dated Jul. 8, 1998 in Application No. PCT/NL1998/000204.
- WIPO; International Search Report dated Aug. 21, 1998 in Application No. PCT/NL1998/000246.
- WIPO; International Search Report dated Oct. 16, 1998 in Application No. PCT/NL1998/000383.
- WIPO; International Preliminary Examination Report dated Sep. 16, 1999 in Application No. PCT/NL1998/000383.
- WIPO; International Search Report dated Apr. 15, 1999 in Application No. PCT/NL1999/000047.
- WIPO; International Search Report dated Oct. 12, 1999 in Application No. PCT/NL1999/000487.
- WIPO; International Search Report dated Dec. 16, 1999 in Application No. PCT/NL1999/000583.
- WIPO; Written Opinion dated Jul. 24, 2000 in Application No. PCT/NL1999/000583.
- WIPO; International Preliminary Examination Report dated Jan. 22, 2001 in Application No. PCT/NL1999/000583.
- WIPO; International Search Report dated Apr. 19, 2000 in Application No. PCT/NL2000/000020.
- WIPO; Written Opinion dated Oct. 17, 2000 in Application No. PCT/NL2000/000020.
- WIPO; International Search Report and Written Opinion dated Apr. 17, 2019 in Application No. PCT/NL2018/050787.
- WIPO; International Search Report and Written Opinion dated Apr. 29, 2019 in Application No. PCT/NL2018/050791.
- WIPO; International Search Report dated Dec. 16, 1999 in Application No. PCT/RU1999/000328.
- WIPO; International Preliminary Examination Report dated Jun. 29, 2001 in Application No. PCT/RU1999/000328.
- WIPO; International Preliminary Report on Patentability dated Nov. 24, 2009 and International Search Report dated Jul. 31, 2008 in Application No. PCT/US2008/063919.
- WIPO; International Preliminary Report on Patentability dated Feb. 24, 2010 in Application No. PCT/US2008/074063.
- WIPO; International Preliminary Report on Patentability dated Nov. 26, 2009 in Application No. PCT/US2009/043454.
- WIPO; International Preliminary Report on Patentability dated Jun. 14, 2011 in Application No. PCT/US2009/066377.
- WIPO; International Search report and Written Opinion dated Nov. 12, 2010 in Application No. PCT/US2010/030126.
- WIPO; International Preliminary Report on Patentability dated Oct. 11, 2011 Application No. PCT/US2010/030126.
- WIPO; International Preliminary Report on Patentability dated Nov. 9, 2011 in Application No. PCT/US2010/033244.
- WIPO; International Preliminary Report on Patentability dated Nov. 9, 2011 in Application No. PCT/US2010/033248.
- WIPO; International Preliminary Report on Patentability dated Nov. 9, 2011 in Application No. PCT/US2010/033252.
- WIPO; International Search report and Written Opinion dated Jan. 20, 2011 in Application No. PCT/US2010/045368.
- WIPO; International Search report and Written Opinion dated Feb. 6, 2013 in Application No. PCT/US2012/065343.
- WIPO; International Search report and Written Opinion dated Feb. 13, 2013 in Application No. PCT/US2012/065347.
- Akiyama et al. "Macro- and micro-scale simulation of growth rate and composition in MOCVD of yttria-stabilized zirconia" *J. Crystal Growth* 241, pp. 352-362 (2002).
- Alen, "Atomic layer deposition of TaN, NbN and MoN films for Cu Metallizations," University of Helsinki Finland, 72 pages, (2005).
- Altieri et al. "Review Article: Plasma-surface interactions at the atomic scale for patterning metals" *J. Vac. Sci. Technol. A* 35, 05C203, 13 pages (2017).
- Ande et al. "Role of Surface Termination in Atomic Layer Deposition of Silicon Nitride" *J. Phys. Chem. Lett.*, 6(18), 16 pages (2015).
- Aoyagi et al. "Laser-assisted atomic layer epitaxy" *Materials Science and Engineering*, pp. 121-132 (1991).
- Arita et al. "Electrical and optical properties of germanium-doped zinc oxide thin films" *Materials Transactions*, vol. 45, No. 11, pp. 3180-3183 (2004).
- Arnold et al., "Novel single-layer vanadium sulphide phases" *2D Materials*, 5, 045009, 11 pages (2018).
- Athavale et al., "Realization of Atomic Layer Etching of Silicon", *Journal of Vacuum Science and Technology B*, vol. 14, pp. 3702-3705 (1996).
- Atta et al. "The Catalytic Activity of Ruthenates ARuO<sub>3</sub> (A=Ca, Sr or Ba) for the Hydrogen Evolution Reaction in Acidic Medium" *Int. J. Electrochem. Sci.* 7, pp. 725-746 (2012).
- Ballal "Mass Transfer in Porous Solids under Pulsating Pressure Conditions" *SLJ International*, vol. 35, Nov, 4, pp. 446-448 (1995).
- Bark et al. "Large-area niobium disulfide thin films as transparent electrodes for devices based on two-dimensional materials," *Nanoscale*, published online, 7 pages (2012).
- Barreca et al. "Cobalt oxide nanomaterials by vapor phase synthesis for fast and reversible lithium storage" *J Phys Chem C*, 114, 10054-10060 (2010).
- Basuvalingam et al. "NS-WeA6—Low Temperature ALD for Phase-controlled Synthesis of 2D Transition Metal (M=Ti, Nb) di- (MX<sub>2</sub>) and Tri- (MX<sub>3</sub>) Sulfides," *AVS 19th International Conference on Atomic Layer Deposition (ALD 2019)*, Jul. 22, 2019, Abstract, 1 page (2019).
- Bearzotti, et al., "Fast Humidity Response of a Metal Halide-Doped Novel Polymer," *Sensors and Actuators B*, 7, pp. 451-454, (1992).
- Becker et al., "Atomic Layer Deposition of Insulating Hafnium and Zirconium Nitrides," *Chem. Mater.*, 16, 3497-3501 (2004).
- Beynet et al. "Low temperature plasma-enhanced ALD enables cost-effective spacer defined double patterning," *Proceedings of SPIE*, 7520, (2009).



(56)

## References Cited

## OTHER PUBLICATIONS

- Bhatnagar et al., "Copper Interconnect Advances to Meet Moore's Law Milestones," *Solid State Technology*, 52, 10 (2009).
- Boscher et al., "Atmosphere Pressure Chemical Vapour Deposition of NbSe<sub>2</sub> Thin Films on Glass" *Eur. J. Inorg. Chem.*, pp. 1255-1259 (2006).
- Brewin et al. "UPS to deploy Bluetooth, wireless LAN network" *Internet*, pp. 1-5 (2001).
- Bulletin Plasma Source—Dec. 2002: Type AX7610—Downstream Plasma Source. Source location: MKS Instruments, Inc. <http://www.mksinst.com/>. Accessed: Aug. 6, 2015. pp. 1-4 (2002).
- Bulletin ASTRONe—Apr. 2002: Type AX7680—Reactive Gas Generator. Source location: MKS Instruments, Inc. <http://www.mksinst.com/>. Accessed: Aug. 6, 2015. pp. 1-2 (2002).
- Bulletin ASTRONex—Jul. 2009: Type AX7685—Reactive Gas Generator. Source location: MKS Instruments, Inc. <http://www.mksinst.com/>. Accessed: Aug. 6, 2015. pp. 1-2 (2002).
- Bulletin ASTRON hf-s—Mar. 2005: Type AX7645—Reactive Gas Generator. Source location: MKS Instruments, Inc. <http://www.mksinst.com/>. Accessed: Aug. 6, 2015. pp. 1-2 (2005).
- Bulletin ENG-XSTREAM-340-09 OM Aug. 2006: Xstream with Active Matching Network Remote Plasma Source. Advanced Energy Industries, Inc. <http://www.advanced-energy.net.cn/upload/File/Sources/ENG-Xstream-340-09.pdf>. Accessed: Jul. 19, 2016. pp. 1-4 (2006).
- Bulletin R\*evolution—Sep. 2006: Type AX7690—Remote Plasma Source. Source location: MKS Instruments, Inc. <http://www.mksinst.com/>. Accessed: Aug. 6, 2015, pp. 1-2 (2006).
- Buriak, "Organometallic Chemistry on Silicon and Germanium Surfaces," *Chemical Reviews*, 102, 5 (2002).
- Cahiez et al. "Cobalt-Catalyzed cross coupling reaction between functionalized primary and secondary alkyl halides and aliphatic grignard reagents" *Adv. Synth. Catal.*, 350, 1484-1488 (2008).
- Callaghan et al. "Magnetic Interactions in Ternary Ruthenium Oxides" *Inorganic Chemistry*, vol. 5, No. 9, pp. 1572-1576 (1966).
- Cant et al., "Chemisorption Sites on Porous Silica Glass and on Mixed-Oxide Catalysis," *Can. J. Chem.* 46, 1373 (1968).
- Carmalt et al., "Chemical Vapor Deposition of Niobium Disulfide Thin Films" *Eur. J. Inorg. Chem.*, pp. 4470-4476 (2004).
- Casey et al. "Chemical Vapor Deposition of Mo onto Si" *J. Electrochem. Soc.: Solid State Science*, 114 (2), pp. 201-204 (1967).
- Chang et al. "Small-Subthreshold-Swing and Low-Voltage Flexible Organic Thin-Film Transistors Which Use HfLaO as the Gate Dielectric," *IEEE Electron Device Letters*, Feb. 2009, pp. 133-135; vol. 30, No. 2; IEEE Electron Device Society.
- Chatterjee et al. "Chemical Vapor Deposition of Boron Nitride Nanosheets on Metallic Substrates via Decaborane/Ammonia Reactions," *Chem. Mater.* 23, pp. 4414-4416 (2011).
- Chatterjee et al., "Sub-100nm Gate Length Metal Gate NMOS Transistors Fabricated by a Replacement by a Replacement Gate Process," *IEEE Semiconductor Process and Device Center*, 821-824 (1997).
- Chen et al., "A Self-Aligned Airgap Interconnect Scheme," *IEEE International Interconnect Technology Conference*, vol. 1-3, 146-148 (2009).
- Chen et al., "Develop Gap-fill Process of Shallow Trench Isolation in 450mm Wafer by Advanced Flowable CVD Technology for Sub-20nm Node," 2016 27th Annual Semi Advanced Semiconductor.
- Cheng et al., "Effect of carrier gas on the structure and electric properties of low dielectric constant SiCOH film using trimethylsilane prepared by plasma enhanced chemical vapor deposition," *Thin Solid Films* vol. 469-470, pp. 178-183 (2004).
- Choi et al., "Improvement of Silicon Direct Bonding using Surfaces Activated by Hydrogen Plasma Treatment," *Journal of the Korean Physical Society*, 37, 6, 878-881 (2000).
- Choi et al., "Low Temperature Formation of Silicon Oxide Thin Films by Atomic Layer Deposition Using NH<sub>3</sub>/O<sub>2</sub> Plasma," *ECS Solid State Letters*, 2(12) p. 114-p. 116 (2013).
- Choi et al. "UV irradiation effects on the bonding structure and electrical properties of ultra low-k SiOC(-H) thin films for 45 nm technology node" *Current Applied Physics*, 11, S109-S113 (2011).
- Closser et al., "Molecular Layer Deposition of a Highly Stable Silicon Oxycarbide Thin Film Using an Organic Chlorosilane and Water," *ACS Applied Materials & Interfaces* 10, pp. 24266-24274 (2018).
- Coates, "Process Analytical Technology: Spectroscopic Tools and Implementation Strategies for the Chemical and Pharmaceutical Industries." Blackwell Publishing Ltd, 91-132, (2005).
- Conroy et al., "The Preparation and Properties of Single Crystals of the 1S and 2S Polymorphs of Tantalum Disulfide" *J. Solid State Chemistry*, 4, pp. 345-350 (1972).
- Crowell, "Chemical methods of thin film deposition: Chemical vapor deposition, atomic layer deposition, and related technologies," *Journal of Vacuum Science & Technology A* 21.5, (2003): S88-S95.
- Cui et al., "Impact of Reductive N<sub>2</sub>/H<sub>2</sub> Plasma on Porous Low-Dielectric Constant SiCOH Thin Films," *Journal of Applied Physics* 97, 113302, 1-8 (2005).
- Crystal IS "Application Note: Using UV Reflective Materials to Maximize Disinfection"; AN011; Jun. 16, 2016, found at <https://www.klaran.com/using-uv-reflective-materials-to-maximize-disinfection>.
- De Silva et al., "Inorganic Hardmask Development For Extreme Ultraviolet Patterning," *Journal of Micro/Nanolithography, MEMS, and MOEMS* 18(1) (2018).
- Dingemans et al., "Comparison Between Aluminum Oxide Surface Passivation Films Deposited with Thermal Aid," *Plasma Aid and Pecvd*, 35th IEEE PVCS, Jun. 2010.
- Drummond et al., "Hydrophobic Radiofrequency Plasma-Deposited Polymer Films: Dielectric Properties and Surface Forces," *Colloids and Surfaces A*, 129-130, 117-129 (2006).
- Duffey et al., "Raman Scattering from 1T-TaS<sub>2</sub>" *Solid State Communications* 20, pp. 617-621 (1976).
- Dufond et al. "Quantifying the Extent of Ligand Incorporation and the Effect on Properties of TiO<sub>2</sub> Thin Films Grown by Atomic Layer Deposition Using an Alkoxide or an Alkylamide" *Chemistry of Material*, American Chemical Society 32(4), pp. 1393-1407 (2020).
- Dultsev et al. "Effect of UV radiation on the reactivity of porous methyl-doped SiO<sub>2</sub> layers" *Phys. Status Solidi C*, 8, No. 6, pp. 1946-1949 (2011).
- Easley et al., "Thermal Isolation of Microchip Reaction Chambers for Rapid Non-Contact DNA Amplification," *J. Micromech. Microeng.* 17, 1758-1766 (2007).
- Elam et al., "New Insights into Sequential Infiltration Synthesis", *ECS Transactions*, vol. 69, pp. 147-157 (2015).
- Elers et al. "Film Uniformity in Atomic Layer Deposition," *Chemical Vapor Deposition*, 12, pp. 13-24 (2006).
- Ellis et al. "Nitrous Oxide (N<sub>2</sub>O) Processing for Silicon Oxynitride Gate Dielectrics." *IBM Journal of Research and Development*. 1999. 43[3]. pp. 287-300. (1999).
- Esposito et al. "Preparation and characterization of lead ruthenate based composite cathodes for SOFC applications" *Mater. Res. Soc. Symp. Proc.*, vol. 835, 6 pages (2005).
- Fallica et al., "Dynamic Absorption Coefficients of Chemically Amplified Resists and Nonchemically Amplified Resists at Extreme Ultraviolet", *J. Micro/Nanolith. MEMS MOEMS* 15(3), pp. 033506-1-033506-7 (2016).
- "Fiji F200 200mm Thermal/Plasma ALD Systems: Installation and Use Manual." CAW-02635 Rev. 0.6 (Mar. 13, 2012). Cambridge NanoTech Inc. pp. 1-164 (2012).
- Fray et al. "Aspects of the Application of Electrochemistry to the Extraction of Titanium and Its Applications" *Materials Transactions*, vol. 58, No. 3, pp. 306-312 (2017).
- Freund et al. "Single crystal growth from separated educts and its application to lithium transition-metal oxides" *Sci. Rep.* 6, 35362, pp. 1-5 (2016).
- Frequently Asked Question, "What is a load lock chamber?", Kurt J. Lesker Company, [www.lesker.com](http://www.lesker.com), p. 1 (2020).

(56)

## References Cited

## OTHER PUBLICATIONS

- Fu et al., "Controlled Synthesis of Atomically Thin 1T-TaS<sub>2</sub> for Tunable Charge Density Wave Phase Transitions" *Chem. Mater.* 28, pp. 7613-7618 (2016).
- Galesic et al. "Formation of vanadium nitride by rapid thermal processing" *Thin Solid Films* 349(1), 7 pages (1999).
- Ge et al., "Carbon Nanotube-Based Synthetic Gecko Tapes," Department of Polymer Science, PNAS, 10792-10795 (2007).
- Ge et al. "Large-scale synthesis of NbS<sub>2</sub> nanosheets with controlled orientation on graphene by ambient pressure CVD," *Nanoscale*, vol. 5, 5773-5778 (2013).
- George et al., "Atomic Layer Deposition: An Overview," *Chem. Rev.* 110, 111-131 (2010).
- Gesheva et al. "Composition and Microstructure of Black Molybdenum Photothermal Converter Layers Deposited by the Pyrolytic Hydrogen Reduction of MoO<sub>2</sub>Cl<sub>2</sub>" *Thin Solid Films*, 79, pp. 39-49 (1981).
- Glass et al. "The Chemical Vapor Deposition of Metal Boride Thin Films from Polyhedral Cluster Species", Winter and Hoffman, *Inorganic Materials Synthesis. ACS Symposium Series; American Chemical Society: Washington DC, Chapter 10*, pp. 130-143 (1999).
- Gole et al. "Preparation of Nickel Sulfide Thin Films and Nanocrystallites Using Nickel Furfuraldehyde Thiosemicarbazone as Single-source Precursor," *Advanced Materials Research*, vols. 383-390, pp. 3828-3834 (2012).
- Gordon et al. "A Kinetic Model for Step Coverage by Atomic Layer Deposition in Narrow Holes or Trenches." *Chemical Vapor Deposition*. 9 [2]. pp. 73-78 (2003).
- Grill et al., "The Effect of Plasma Chemistry on the Damage Induced Porous SiCOH Dielectrics," IBM Research Division, RC23683 (W0508-008), *Materials Science*, 1-19 (2005).
- Guan et al., "Voltage gated ion and molecule transport in engineered nanochannels: theory, fabrication and applications," *Nanotechnology* 25 (2014) 122001.
- Gupta et al., "Charge carrier transport and electroluminescence in atomic layer deposited poly-GaN/c-Si heterojunction diodes," *Journal of Applied Physics*, 124, 084503 (2018).
- Gupta et al., "Conversion of Metal Carbides to Carbide Derived Carbon by Reactive Ion Etching in Halogen Gas," *Proceedings of SPIE—The International Society for Optical Engineering and Nanotechnologies for Space Applications*, ISSN: 0277-786X (2006).
- Habib et al. "Atmospheric oxygen plasma activation of silicon (100) surfaces," *American Vacuum Society*, 28(3), pp. 476-485 (2010).
- Hamalainen et al., "Atomic Layer Deposition of Rhenium Disulfide," *Adv. Mater.* 30.24, 6 pages (2018).
- Han et al., "van der Waals Metallic Transition Metal Dichalcogenides" *Chem. Rev.* 118, pp. 6297-6336 (2018).
- Hansen. "A Primer on Vacuum Pressure Measurement." *Vacuum Technology & Coating*. Jun. 2009. pp. 36-42 (2009).
- Hansen. "Speed, Pressure and Throughput: Part 1 System Diagnostics." *Vacuum Technology & Coating*. Sep. 2011. pp. 14-17 (2011).
- Hansen. "Speed, Pressure and Throughput: Part 2 Managing Gas Flow in High Vacuum Systems." *Vacuum Technology & Coating*. Oct. 2011. pp. 19-22 (2011).
- Hansen. "Speed, Pressure and Throughput: Part 3 Automating the Pressure Control Process." *Vacuum Technology & Coating*. Nov. 2011. pp. 22-25 (2011).
- Hansen. "Speed, Pressure and Throughput: Part 4 Outgassing and Base Pressure." *Vacuum Technology & Coating*. Dec. 2011. pp. 22-25 (2011).
- Hansen. "Speed, Pressure and Throughput: Part 5 Leaks and Gas Flow in Leak Detection." *Vacuum Technology & Coating*. Jan. 2012. pp. 18-21 (2011).
- Hargreaves et al., "New Fluorides and Oxyfluorides of Rhenium," *J. Chem. Soc.*, pp. 1099-1103 (1960).
- Harrison et al., "Poly-gate Replacement Through Contact Hole (PRETCH): A New Method for High-K/ Metal Gate and Multi-Oxide Implementation on Chip," *IEEE* (2004).
- Hayashi et al. "Spectroscopic properties of nitrogen doped hydrogenated amorphous carbon films grown by radio frequency plasma-enhanced chemical vapor deposition," *Journal of Applied Physics*, vol. 89, No. 12, pp. 7924-7931 (2001).
- Heo et al., "Structural Characterization of Nanoporous Low-Dielectric Constant SiCOH Films Using Organosilane Precursors," *NSTI-Nanotech*, vol. 4, 122-123 (2007).
- Henke et al. . . . , "X-Ray Interactions: Photo absorption, Scattering, Transmission, and Reflection at E=50-30,000 eV, Z=1-92," *Atomic Data and Nuclear Data Tables*, 54, 181-342 (1993).
- Heyne et al., "The conversion mechanism of amorphous silicon to stoichiometric WS<sub>2</sub>" *J. Materials Chemistry C*, 6, pp. 4122-4130 (2018).
- Hong et al. "Ultralow-dielectric-constant amorphous boron nitride" *Nature*, vol. 582, 16 pages (2020).
- Hossain et al., "Recent Advances in Two-Dimensional Materials with Charge Density Waves: Synthesis, Characterization and Applications" *Crystals* 7, 298, 19 pages (2017).
- Hubert et al., "A Stacked SONOS Technology, up to 4 Levels and 6nm Crystalline Nanowires, With Gate-All-Around or Independent Gates (-Flash), Suitable for Full 3D Integration," *Minatex, IEDM09-637-640* (2009).
- Hudis, "Surface Crosslinking of Polyethylene Using a Hydrogen Glow Discharge," *J. Appl. Polym. Sci.*, 16 (1972) 2397.
- Ivanova et al. "ALD of Sc<sub>2</sub>O<sub>3</sub> using Sc(Cp)<sub>3</sub> and a Novel Heteroleptic Precursors" Presented on the AVS 19th International Conference on Atomic Layer Deposition, Jul. 23, 2019, Abstract, 1 page (2019).
- Jensen et al. "Titanium, Zirconium, and Hafnium Tetrahydroborates as "Tailored" CVD Precursors for Metal Diboride Thin Films", *J. Am. Chem. Soc.* 110, pp. 1643-1644 (1988).
- Johansson et al. "Towards absolute asymmetric synthesis. Synthesis and crystal structure of stereochemically labile MCl<sub>2</sub> (M=Co, Ni, Cu, Zn) complexes with diamine ligands," *Inorganica Chimica Acta* 358, pp. 3293-3302 (2005).
- Johnson et al. "A brief review of atomic layer deposition: from fundamentals to applications" *Materials Today*, vol. 17, Issue 5, pp. 236-246 (2014).
- Jones et al., "Growth of Aluminum Films by Low Pressure Chemical Vapour Deposition Using Tertiarybutylaluminium," *Journal of Crystal Growth* 135, pp. 285-289, Elsevier Science B.V. (1994).
- Jones et al., "Recent Developments in Metalorganic Precursors for Metalorganic Chemical Vapour Deposition," *Journal of Crystal Growth* 146, pp. 503-510, Elsevier Science B.V. (1995).
- Jung et al., "Double Patterning of Contact Array with Carbon Polymer," *Proc. of SPIE*, 6924, 69240C, 1-10 (2008).
- Jung et al. "New Mechanisms for Ozone-Based ALO Growth of High-k Dielectrics via Nitrogen-Oxygen Species" *ECS Transactions*, 33(2), pp. 91-99 (2010).
- Juppo et al. "Deposition of molybdenum thin films by an alternate supply of MoCl<sub>5</sub> and Zn" *J of Vacuum Science & Technology A*, 16, pp. 2845-2850 (1998).
- Katamreddy et al., "ALD and Characterization of Aluminum Oxide Deposited on Si(100) using Tris(diethylamino) Aluminum and Water Vapor," *Journal of The Electrochemical Society*, 153 (10) C701-C706 (2006).
- Kern et al., "Chemically Vapor-Deposited Borophosphosilicate Glasses for Silicon Device Applications" *RCE Review*, 43, 3, pp. 423-457 (1982).
- Kerrigan et al. "Low Temperature, Selective Atomic Layer Deposition of Cobalt Metal Films Using Bis(1,4-di-tert-butyl-1,3-diazadienyl)cobalt and Alkylamine Precursors," *Chem. Materials*, 29, pp. 7458-7466 (2017).
- Khandelwal et al. "Low-temperature Ar/N<sub>2</sub> remote plasma nitridation of SiO<sub>2</sub> thin films," *J. Vacuum Science & Technology A*, 20(6), pp. 1989-1996 (2002).
- Kim et al. "Characteristics of Low Temperature High Quality Silicon Oxide by Plasma Enhanced Atomic Layer Deposition with In-Situ Plasma Densification Process," *The Electrochemical Society, ECS Transactions*, College of Information and Communication Engineering, Sungkyunkwan University, 53(1), 321-329 (2013).
- Kim et al. "High Growth Rate in Atomic Layer Deposition of TiO<sub>2</sub> Thin Films by UV Irradiation" *Electrochemical and Solid-State Letters*, 14(4), pp. H146-H148 (2011).

(56)

## References Cited

## OTHER PUBLICATIONS

- Kim et al. "Novel Flowable CVD Process Technology for sub-20nm Interlayer Dielectrics," IEEE International Interconnect Technology Conference (IITC 2012), San Jose, California, USA, Jun. 4-6, 2012, pp. 1-3 (2012).
- Kim et al. "Passivation Effect on Low-k S/OC Dielectrics by H<sub>2</sub> Plasma Treatment," Journal of the Korean Physical Society, 40, 1, 94-98 (2002).
- Kim et al. "Thermal Decomposition of Tetrakis(ethylmethylamido) Titanium for Chemical Vapor Deposition of Titanium Nitride" Bull. Korean Chem. Soc., vol. 27, No. 2, 5 pages (2006).
- King, Plasma Enhanced Atomic Layer Deposition of SiN<sub>x</sub>: H and SiO<sub>2</sub>, J. Vac. Sci. Technol., A29(4) (2011).
- Kirsch et al. "Dipole model explaining high-k/metal gate field effect transistor threshold voltage tuning" Applied Physics Letters 92, 092901, 3 pages (2008).
- Kjesbu, ABB Corporate Research, Internet, pp. 1-37 (2002).
- Kliem et al. "Silyl Group Migrations Between Oxygen and Nitrogen in Aminosiloxanes"; Organosilicon Chemistry VI: from Molecules to Materials; pp. 216-221 (2005).
- Klug et al., "Atomic Layer Deposition of Amorphous Niobium Carbide-Based Thin Film Superconductors," The Journal of Physical Chemistry C, vol. 115, pp. 25063-25071, (2011).
- Kobayshi, et al., "Temperature Dependence of SiO<sub>2</sub> Film Growth with Plasma-Enhanced Atomic Layer Deposition," regarding Thin Solid Films, published by Elsevier in the International Journal on the Science and Technology of Condensed Matter, in vol. 520, No. 11, 3994-3998 (2012).
- Kofuji et al. "Line-edge roughness increase due to wiggling enhanced by initial pattern waviness" Jpn. J. Appl. Phys. 53, 03DE01, pp. 1-7 (2014).
- Kofuji et al. "Mechanism of wiggling enhancement due to HBr gas addition during amorphous carbon etching" Jpn. J. Appl. Phys. 54, 06FH04, pp. 107 (2015).
- Kogelschatz et al. "Ozone Generation from Oxygen and Air: Discharge Physics and Reaction Mechanisms" Ozone Science & Engineering, 10, pp. 367-378 (1998).
- Koo et al., "Characteristics of Al<sub>2</sub>O<sub>3</sub> Thin Films Deposited Using Dimethylaluminum Isopropoxide and Trimethylaluminum Precursors by the Plasma-Enhanced Atomic-Layer Deposition Method," Journal of Physical Society, 48, 1, 131-136 (2006).
- Koutsokeras et al. "Texture and Microstructure Evolution in Single-Phase Ti<sub>x</sub>Ta<sub>1-x</sub>N Alloys of Rocksalt Structure," Journal of Applied Physics, 110, pp. 043535-1-043535-6, (2011).
- Kovalgin et al. "Hot-Wire Assisted ALD: A Study Powered by In Situ Spectroscopic Ellipsometry" Adv. Mater. Interfaces 4, 1700058, 11 pages (2017).
- Knoops et al., "Atomic Layer Deposition of Silicon Nitride from Bis(tert-butyloamino) silane and N<sub>2</sub> Plasma," Applied Materials & Interfaces, American Chemical Society, A-E (2015).
- Krenek et al. "IR Laser CVD of Nanodisperse Ge—Si—Sn Alloys Obtained by Dielectric Breakdown of GeH<sub>4</sub>/SiH<sub>4</sub>/SnH<sub>4</sub> Mixtures", NanoCon 2014, Nov. 5-7, Brno, Czech Republic, EU.
- Krumdieck et al. "Experimental Characterization and Modeling of Pulsed MOCVD with Ultrasonic Atomization of Liquid Precursor" Chem. Vap. Deposition, 7 (2), pp. 85-90 (2001).
- Krumdieck "Kinetic Model of Low Pressure Film Deposition from Single Precursor Vapor in a Well-Mixed, Cold-Wall Reactor" Acta mater., 49, pp. 583-588 (2001).
- Kucheyev et al. "Mechanisms of Atomic Layer Deposition on Substrates with Ultrahigh Aspect Ratios." Langmuir. 24 [3]. pp. 943-948 (2008).
- Kuchumov et al. "Pulsed MO CVD Processes of MgO Layer Deposition from Mg(thd)<sub>2</sub>" ECS Trans. 25, pp. 927-934 (2009).
- Kukli et al. "Atomic Layer Deposition and Chemical Vapor Deposition of Tantalum Oxide by Successive and Simultaneous Pulsing of Tantalum Ethoxide and Tantalum Chloride" Chem. Mater. 12, pp. 1914-1920 (2000).
- Kukli et al. "Atomic Layer Epitaxy Growth of Tantalum Oxide Thin Films from Ta(OC<sub>2</sub>H<sub>5</sub>)<sub>5</sub> and H<sub>2</sub>O" The Electrochemical Society, vol. 142, No. 5, pp. 1670-1674 (1995).
- Kukli et al., "Influence of atomic layer deposition parameters on the phase content of Ta<sub>2</sub>O<sub>5</sub> films" J. Crystal Growth, 212, pp. 459-468 (2000).
- Kukli et al., "Properties of hafnium oxide films grown by atomic layer deposition from hafnium tetraiodide and oxygen". Journal of Applied Physics, vol. 92, No. 10, Nov. 15, 2002, pp. 5698-5703 (2002).
- Kukli et al. "Properties of tantalum oxide thin films grown by atomic layer deposition" Thin Solid Films, 260, pp. 135-142 (1995).
- Kumar et al. "Bringing the benefits of Java to Bluetooth" <http://www.allembedded.com/story/OEG20020519S001>, pp. 1-3 (2002).
- Kurosawa et al. "Synthesis and Characterization of Plasma-Polymerized Hexamethyldisiloxane Films," Thin Solid Films, 506-507, 176-179 (2006).
- Kwon et al. "Substrate Selectivity of (tBu-Allyl)Co(CO)<sub>3</sub> during Thermal Atomic Layer Deposition of Cobalt," Chem. Materials, 24, pp. 1025-1030 (2012).
- Lanford et al., "The Hydrogen Content of Plasmadeposited Silicon Nitride," J. Appl. Phys., 49, 2473 (1978).
- Lee et al. "Characteristics of Low-K Sioc Films Deposited via Atomic Layer Deposition," Thin Solid Films 645, pp. 334-339 (2018).
- Lee et al. "Enhancement of Iodine Adsorption on Ruthenium Glue Layer for Seedless CECVD of Cu" Electrochemical and Solid-State Letters, 8(2) C39-C42 (2005).
- Lee et al. "Growth without Postannealing of Monoclinic VO<sub>2</sub> Thin Film by Atomic Layer Deposition Using VC14 as Precursor" Coatings, 8, 431, pp. 1-11 (2018).
- Lee et al. "Layer Selection by Multi-Level Permutation in 3-D Stacked NAND Flash Memory," IEEE Electron Device Letters, vol. 37, No. 7, 866-869 (2016).
- Lee et al. "Photo-Induced Atomic Layer Deposition of Tantalum Oxide Thin Films from Ta(OC<sub>2</sub>H<sub>5</sub>)<sub>5</sub> and O<sub>2</sub>" J of the Electrochemical Society. 151(1) pp. C52-C55 (2004).
- Levy et al., "Reflow Mechanisms of Contact Vias in VLSI Processing" J. Electrochem. Soc.: Solid-State Science and Technology, 133, 7, pp. 1417-1424 (1986).
- Lewis et al. "Hawley's Condensed Chemical Dictionary" 12th Edition; excerpt pp. 1027-1038 (2005).
- Li et al. "Metallic Transition-Metal Dichalcogenide Nanocatalysts for Energy Conversion" Chem. 4, pp. 1510-1537 (2018).
- Liang et al. "Conversion of Metal Carbides to Carbide Derived Carbon by Reactive Ion Etching in Halogen Gas" Micro (MEMS) and Nanotechnologies for Space Applications, Thomas George et al. vol. 6223, 2006 p. 62230J-I to 62230J-11 lines 3-14 in the "Abstract" section and lines 7-9 in the "Introduction" section of p. 1, lines 3-4 in the "Introduction" section and lines 3-4 in the "Experimental Procedure" section of p. 2 (2006).
- Lieberman, et al., "Principles of Plasma Discharges and Materials Processing," Second Edition, 368-381 (2005).
- Lim et al., "Low-Temperature Growth of SiO<sub>2</sub> Films by Plasma-Enhanced Atomic Layer Deposition," ETRI Journal, 27 (1), 118-121 (2005).
- Lim et al. "Synthesis and Characterization of Volatile, Thermally Stable, Reactive Transition Metal Amidinates," Inorg. Chem., 42, pp. 7951-7958 (2003).
- Liu et al., "Research, Design, and Experiment of End Effector for Wafer Transfer Robot," Industrial Robot: An International Journal, 79-91 (2012).
- Liu et al., "Van der Waals metal-semiconductor junction: Weak Fermi level pinning enables effective tuning of Schottky barrier" Sci. Adv. 2: e1600069, 7 pages (2016).
- Londergan et al. "Engineered Low Resistivity Titanium-Tantalum Nitride Films by Atomic Layer Deposition," Mat. Res. Soc. Symp. Proc., vol. 714E, pp. L5.3.1-L5.3.6 (2001).
- Longrie et al., "Plasma-Enhanced ALD of Platinum with O<sub>2</sub>, N<sub>2</sub> and NH<sub>3</sub> Plasmas", ECS Journal of Solid State Science and Technology, vol. 1, pp. Q123-Q129 (2012).

(56)

## References Cited

## OTHER PUBLICATIONS

- Mackenzie et al. "Stress Control of Si-Based PEVCD Dielectrics," Proc. Symp. Silicon Nitride and Silicon Dioxide Thin Insulating Films & Other Emerging Dielectrics VIII, 148-159 (2005).
- Mackus et al., "Optical Emission Spectroscopy as a Tool for Studying Optimizing and Monitoring Plasma-Assisted Atomic Layer Deposition Processes," Journal of Vacuum Science and Technology, 77-87 (2010).
- Maeng et al. Electrical properties of atomic layer disposition HfO<sub>2</sub> and HfO<sub>x</sub>Ny on Si substrates with various crystal orientations, Journal of the Electrochemical Society, Apr. 2008, p. H267-H271, vol. 155, No. 4, Department of Materials Science and Engineering, Pohang University of Science and Technology, Pohang, Korea (2008).
- Maeno, "Gecko Tape Using Carbon Nanotubes," Nitto Denko Gihou, 47, 48-51 (2009).
- Makela et al. "Thermal Atomic Layer Deposition of Continuous and Highly Conducting Gold Thin Films," Chem. Materials, 29, pp. 6130-6136 (2017).
- Mameli et al. "Area-Selective Atomic Layer Deposition of SiO<sub>2</sub> Using Acetylacetone as a Chemoselective Inhibitor in an ABC-Type Cycle" ACS Nano 11, pp. 9303-9311 (2017).
- Mameli et al. "Isotropic Atomic Layer Etching of ZnO Using Acetylacetone and O<sub>2</sub> Plasma" ACS Appl. Mater. Interfaces 10, pp. 38588-38595 (2018).
- Marsik et al., "Effect of Ultraviolet Curing Wavelength on Low-k Dielectric Material Properties and Plasma Damage Resistance," Sciencedirect.com, 519, 11, 3619-3626 (2011).
- Mason et al., "Hydrolysis of Tri-tert-butylaluminum: The First Structural Characterization of Alkylaluminumoxanes [(R<sub>2</sub>Al)<sub>2</sub>O]<sub>n</sub> and (RAIO)<sub>n</sub>," J. American Chemical Society, vol. 115, No. 12, pp. 4971-4984 (1993).
- Massachusetts Institute of Technology Lincoln Laboratory, "Solid State Research," Quarterly Technical Report (1995).
- Mattinen et al., "Crystalline tungsten sulfide thin films by atomic layer deposition and mild annealing" J. Vac. Sci. Tech. 37, 020921, 35 pages (2019).
- Maydannik et al., "Spatial atomic layer deposition: Performance of low temperature H<sub>2</sub>O and O<sub>3</sub> oxidant chemistry for flexible electronics encapsulation", Journal of Vacuum Science and Technology: Part A AVS/ AIP, vol. 33 (1991).
- Meng et al., "Atomic Layer of Deposition of Silicon Nitride Thin Films: A Review of Recent Progress, Challenges, and Outlooks," Materials, 9, 1007 (2016).
- Merdrignac-Conanec et al. "Nitridation under ammonia of high surface area vanadium aerogels" Journal of Solid State Chemistry 178(1), 8 pages (2005).
- Miller et al. "Carbon nitrides: synthesis and characterization of a new class of functional materials," Phys.Chem.Chem.Phys., 19, pp. 15613-15638 (2017).
- Mix et al., "Characterization of plasma-polymerized allyl alcohol polymers and copolymers with styrene," Adhes. Sci. Technol., 21 (2007), S. 487-507.
- Moeen, "Design, Modelling and Characterization of Si/SiGe Structures for IR Bolometer Applications," KTH Royal Institute of Technology. Information and Communication Technology, Department of Integrated Devices and Circuits, Stockholm Sweden (2015).
- Morishige et al., "Thermal Desorption and Infrared Studies of Ammonia Amines and Pyridines Chemisorbed on Chromic Oxide," J. Chem. Soc., Faraday Trans. 1, 78, 2947-2957 (1982).
- Mosleh et al., "Enhancement of Material Quality of (Si)GeSn Films Grown by SnCl<sub>4</sub> Precursor," ECS Transactions, 69 (5), 279-285 (2015).
- Mukai et al., "A Study of CD Budget in Spacer Patterning Technology," Proc. of SPIE, 6924, 1-8 (2008).
- Naito et al. "Electrical Transport Properties in 2H—NbS<sub>2</sub>, —NbSe<sub>2</sub>, —TaS<sub>2</sub> and —TaSe<sub>2</sub>," J. of Physical Society of Japan, vol. 51, No. 1, 219-227 (1982).
- Nakano et al., "Layer-by-Layer Epitaxial Growth of Scalable WSe<sub>2</sub> on Sapphire by Molecular Beam Epitaxy" Nano. Lett. 17, pp. 5595-5599 (2017).
- Naslain et al. "Synthesis of highly tailored ceramic matrix composites by pressure-pulsed CVI" Solid State Ionics, 141-142, pp. 541-548 (2001).
- Ngo et al. "Atomic layer deposition of photoactive CoO/SrTiO<sub>3</sub> and CoO/TiO<sub>2</sub> on Si(001) for visible light driven photoelectrochemical water oxidation," J. Applied Physics, 114, 9 pages (2013).
- Niinisto et al. "Advanced electronic and optoelectronic materials by Atomic Layer Deposition: An overview with special emphasis on recent progress in processing of high-k dielectrics and other oxide materials" Pus. Stat. Sol. (a) 201, No. 7, pp. 1443-1452 (2004).
- Nikolic et al. "The dependence of the work function of rare earth metals on their electron structure" Microelectronics Journal 27, 93-96 (1996).
- Nogueira et al., "Production of Highly Hydrophobic Films Using Low Frequency and High Density Plasma," Revista Brasileira de Aplicacoes de Vacuo, 25(1), 45-53 (2006).
- Novaro et al. Theoretical Study on a Reaction Pathway of Ziegler-Natta-Type Catalysis, J. Chem. Phys. 68(5), Mar. 1, 1978 pp. 2337-2351.
- Ohchi et al. "Reducing damage to Si substrates during gate etching processes." Japanese Journal of Applied Physics 47.7R 5324 (2008).
- Ohtsu et al. "Influences of Gap Distance on Plasma Characteristics in Narrow Gap Capacitatively Coupled Radio-Frequency Discharge," vol. 43, No. 2, pp. 795-799 (2004).
- Ohzawa et al. "Preparation of fibrous SiC shape using pressure-pulsed chemical vapour infiltration and its properties as a high-temperature filter" J. of Materials Processing Technology, 96, pp. 151-156 (1999).
- Okamoto et al., "Luminescent Properties of Pr<sup>3+</sup>—sensitized LaPO<sub>4</sub>: Gd<sup>3+</sup> Ultraviolet-B Phosphor Under Vacuum-Ultraviolet Light Excitation," J. App. Phys. 106, 013522 (2009).
- O'Malley et al. "Structure and properties of ordered Li<sub>2</sub>IrO<sub>3</sub> and Li<sub>2</sub>PtO<sub>3</sub>" Journal of Solid State Chemistry 181, pp. 1803-1809 (2008).
- Park et al. "Atomic layer deposition of Y<sub>2</sub>O<sub>3</sub> films using hetroleptic liquid (iPrCp)2Y(iPr-amd) precursor" J. Mater. Chem. C, 2, 9 pages (2014).
- Park, "Substituted Aluminum Metal Gate on High-K Dielectric for Low Work-Function and Fermi-Level Pinning Free," 4 pages, IEEE 0-7803-8684-1/04 (2004).
- Peters et al., "Aerosol-Assisted Chemical Vapor Deposition of NbS<sub>2</sub> and TaS<sub>2</sub> Thin Films from Pentakis(dimethylamido)metal Complexes and 2-Methylpropanethiol" Eur. J. Inorg. Chem., pp. 4179-4185 (2005).
- Pichler. "Intrinsic Point Defects, Impurities and Their Diffusion in Silicon," Springer-Verlag Wien, p. 367 (2004).
- Portet et al., "Impact of Synthesis Conditions on Surface Chemistry and Structure of Carbide-Derived Carbons," Thermochemica Acta, 497, 137-142 (2010).
- Posseme et al. "Alternative process for thin layer etching: Application to nitride spacer etching stopping on silicon germanium" Apply. Phys. Lett. 105, 051604, pp. 1-4 (2014).
- Potts et al., "Low Temperature Plasma-Enhanced Atomic Layer Deposition of metal Oxide Thin Films," Journal of the Electrochemical Society, 157, 66-74 (2010).
- Potts et al., "Room-Temperature ALD of Metal Oxide Thin Films by Energy-Enhanced ALD", Chemical Vapor Deposition, vol. 19, pp. 125-133 (2013).
- Presser, et al., "Effect of Pore Size on Carbon Dioxide Sorption by Carbide Derived Carbon," Energy & Environmental Science 4.8, 3059-3066 (2011).
- Provine et al. "Atomic Layer Deposition: Introduction to the Theory and Cambridge Nanotech Savannah & Fiji" NNIN ALD Roadshow Presentation, 49 pages (2012).
- Provine et al., "Correlation of Film Density and Wet Etch Rate in Hydrofluoric Acid of Plasma Enhanced Atomic Layer Deposited Silicon Nitride," AIP Advances, 6 (2016).
- Putkonen et al. "Low-Temperature ALE Deposition of Y<sub>2</sub>O<sub>3</sub> Thin Films from β-Diketonate Precursors" Chemical Vapor Deposition 7(1) pp. 44-50 (2001).

(56)

## References Cited

## OTHER PUBLICATIONS

- Qin et al., "Chemical Vapor Deposition Growth of Degenerate p-Type Mo-Doped ReS<sub>2</sub> Films and Their Homojunction," ACS Appl. Mater. Interfaces, 9(18), pp. 15583-15591 (2007).
- Radamson et al., "Growth of Sn-alloyed Group IV Materials for Photonic and Electronic Applications" Chapter 5 pp. 129-144, Manufacturing Nano Structures (2014).
- Roddy, "Transport Reactions and Vaporization Studies of Some Vanadium Halides", Iowa State university of Science and Technology dissertation, 207 pages (1962).
- Rosemount 1199 Diaphragm Seal Systems, Product Data Sheet, 92 pages (2008).
- Rossing et al., "Acoustics of Eastern and Western bells, Old and New" J of Acoustical Society of Japan; 10(5); pp. 241-252 (1989).
- Ryu et al., "Persistent Charge-Density-Wave Order in Single-Layer TaSe<sub>2</sub>" Nano. Lett. 18, pp. 689-694 (2018).
- Saeki et al., "Reaction Process of Vanadium Tetrachloride with Ammonia in the Vapor Phase and Properties of the Vanadium Nitride Formed" Bull. Chem. Soc. Jpn., 55, pp. 3446-3449 (1982).
- Sakuma et al., "Highly Scalable Horizontal Channel 3-D NAND Memory Excellent in Compatibility with Conventional Fabrication Technology," IEEE Electron Device Letters, vol. 34, No. 9, 1142-1144 (2013).
- Salim, "In-situ Fourier Transform Infrared Spectroscopy of Chemistry and Growth in Chemical Vapor Deposition," Massachusetts Institute of Technology, 187 pages (1995).
- Salim et al., "In Situ Concentration Monitoring in a Vertical OMVPE Reactor by Fiber-Optics-Based Fourier Transform Infrared Spectroscopy," Journal of Crystal Growth 169, pp. 443-449, Elsevier Science B.V. (1996).
- Samal et al., "Low-Temperature (<200° C.) Plasma Enhanced Atomic Deposition of Dense Titanium Nitride Thin Films" (2012).
- Sanders et al., "Crystalline and electronic structure of single-layer TaS<sub>2</sub>" Phys. Rev. B. 94, 081404, 6 pages (2016).
- Schindler, Dissertation, Next Generation High-k Dielectrics for DRAM Produced by Atomic Layer Deposition Studied by Transmission Electron Microscopy (2015).
- Schmatz et al., "Unusual Isomerization Reactions in 1,3-Diaza-2-Silicyclopentanes," Organometallics, 23, 1180-1182 (2004).
- Sellers, Making Your Own Timber Dogs, Paul Sellers blog, Published on Nov. 18, 2014, [online], [site visited Jun. 10, 2017]. Available from Internet, <URL: <https://paulsellers.com/2014/11/making-your-own-timber-dogs/>>.
- Selvaraj et al., "Selective Atomic Layer Deposition of Zirconia on Copper Patterned Silicon Substrates Using Ethanol as Oxygen Source as Well as Copper Reductant," J. Vac. Sci. Technol. A32(1), (2014).
- Selvaraj et al., "Surface Selective Atomic Layer Deposition of Hafnium Oxide for Copper Diffusion Barrier Application Using Tetrakis (diethylamino) Hafnium and Ethanol," 225th ECS Meeting, Meeting Abstract, (May 12, 2014).
- Senateur et al., "Pulsed Injection MOCVD of Functional Electronic Oxides" Adv. Mater. Opt. Electron, 10, pp. 155-161 (2000).
- Seshadri et al., "Ultrathin Extreme Ultraviolet Patterning Stack Using Polymer Brush as an Adhesion Promotion Layer," Journal of Micro/Nanolithography, MEMS, and MOEMS 16(3) (2017).
- Shamma et al., "PDL Oxide Enabled Doubling," Proc. of SPIE, 6924, 69240D, 1-10 (2008).
- Shevtsov et al., "An Apparatus for Pulse Chemical Vapor Deposition of Layers" Instruments and Experimental Techniques, vol. 56, No. 3, pp. 353-357 (2013).
- Shevtsov et al., "Effect of Spatial Image Transfer in a Pulse MOCVD Process" Physics Procedia 46, pp. 27-32 (2013).
- Simchi et al., "Sulfidation of 2D transition metals (Mo, W, Re, Nb, Ta): thermodynamics, processing, and characterization" J. Materials Science 52: 17, 9 pages (2017).
- Spear et al., "Chemical Transport Reactions in the Vanadium-Silicon-Oxygen System and the Ternary Phase Diagram", Journal of the Less-Common Metals, 14, pp. 69-75 (1968).
- Stanley et al., "Feedgas for Modern High-Performance Ozone Generators" Ozonia Ltd., Duebendorf, Switzerland. 7 pages. Available Jul. 14, 2017 online at: [http://www.degremont-technologies.com/cms\\_medias/pdf/tech\\_ozonia\\_feedgas.pdf](http://www.degremont-technologies.com/cms_medias/pdf/tech_ozonia_feedgas.pdf) (1999).
- Stannowski et al., "Growth process and properties of silicon nitride deposited by hot-wire chemical vapor deposition" J Applied Physics, vol. 93 No. 5, 9 pages (2013).
- Su et al., "A Polymer Precursor Route to Metal Borides", Chem. Mater., 5, pp. 1659-1668 (1993).
- Svetin et al., "Three-dimensional resistivity and switching between correlated electronic states in 1T-TaS<sub>2</sub>" Nature, Scientific Reports Apr. 12, 2017, 7:46048, 10 pages (2017).
- Tatehaha et al., "Adhesion Energy of Polystyrene and Substrate in Function Water," 5th International Symposium of Cleaning Technology in Semiconductor Device Manufacturing, pp. 560-565 (1998).
- Tidman et al., "Resistivity of thin TaS<sub>2</sub> crystals," Can. J. Phys., vol. 54, 2306-2309 (1976).
- Todi et al., "Characterization of Pt—Ru Binary Alloy Thin Films for Work Function Tuning," IEEE Electron Device Letters, vol. 27, No. 7, pp. 542-545 (2006).
- Tomozoi et al., "Effects of UV photon irradiation on SiO<sub>x</sub> (0<x<2) structural properties" Applied Surface Science 253, pp. 376-380 (2006).
- Trumbore et al., "Solid solubilities of aluminum and gallium in germanium," J. of Physics and Chemistry of Solids, vol. 11, Issues 3-4, 239-240 (1959).
- Tseng et al., "Etch Properties of Resists Modified by Sequential Infiltration Synthesis," American Vacuum Society (2011).
- Tseng et al., "Enhanced Block Copolymer Lithography Using Sequential Infiltration Synthesis," Journal of Physical Chemistry, vol. 5, 17725-17729 (2011).
- Ueda et al., "Enhanced Sidewall Grown (ESG) process: towards PEALD with conformality above 100%," Extended Abstracts of the 2011 International Conference on Solid State Devices and Materials, Nagoya, pp. 34-35 (2011).
- U.S. Appl. No. 60/394,086, filed Jul. 3, 2002 in the name of Jacques Schmitt, and entitled "ALD on a Rotary Susceptor" pp. 1-23 (2002).
- U.S. Appl. No. 62/274,238, filed Jan. 1, 2016 in the names of Alexander S. Polyak et al., and entitled "Non-Metallic Thermal CVD/ALD Gas Injector and Purge System" pp. 1-63 (2016).
- U.S. Appl. No. 62/293,897, filed Feb. 11, 2016 in the names of Bernardo Donoso et al., and entitled "Vapor Based Site-Isolated Processing Systems and Methods" pp. 1-51 (2016).
- Vallat et al., "Area selective deposition of TiO<sub>2</sub> by intercalation of plasma etching cycles in PEALD process: A bottom up approach for the simplification of 3D integration scheme" Journal of Vacuum Science & Technology A 37(2), 12 pages (2019).
- Vallat et al., "Selective deposition of Ta<sub>2</sub>O<sub>5</sub> by adding plasma etching super-cycles in plasma enhanced atomic layer deposition steps" Journal of Vacuum Science & Technology A 35(1), 7 pages (2016).
- Varma, et al., "Effect of Metal Halides on Thermal, Mechanical, and Electrical Properties of Polypyromellitimide Films," Journal of Applied Polymer Science, vol. 32, pp. 3987-4000, (1986).
- Vasilev, "Borophosphosilicate Glass Films in Silicon Microelectronics, Part 1: Chemical Vapor Deposition, Composition, and Properties" Russian Microelectronics, vol. 33, No. 5, pp. 271-284 (2004).
- Vayrynen et al., "Photo-Assisted Atomic Layer Deposition and Chemical Vapor Deposition of Metal and Metal Oxide Thin Films" Thesis, Oct. 2015, 146 pages (2005).
- Venkatesan et al., "A rugged lead-ruthenate pyrochlore membrane catalyst for highly selective oxidation of alcohols" J. Molecular Catalysis A: Chemical 250, pp. 87-93 (2006).
- Voltaix, "Material Safety Data Sheet for: Trisilylamine", pp. 1-8, (2014).
- Wang et al., "Tertiarybutylaluminum as an Organometallic Source for Epitaxial Growth of AlGaSb," Appl. Phys. Lett. 67 (10), Sep. 4, pp. 1384-1386, American Institute of Physics (1995).
- Wirths, et al., "SiGeSn Growth studies Using Reduced Pressure Chemical Vapor Deposition Towards Optoelectronic Applications," Thin Solid Films, 557, 183-187 (2014).

(56)

**References Cited**

## OTHER PUBLICATIONS

Xiao "Introduction to Semiconductor Manufacturing Technology" SPIE Press, ISBN 978-0-08194-9092-6, pp. 237-245 (2012).

Xing et al., "Ising Superconductivity and Quantum Phase Transition in Macro-Size Monolayer NbSe<sub>2</sub>" *Nano. Lett.* 17, pp. 6802-6807 (2017).

Xu et al., "14NM Metal Gate Film Stack Development and Challenges," SMIC et al. (2016).

Xu et al., "Contacts between Two- and Three-Dimensional Materials: Ohmic, Schottky, and p-n Heterojunctions" *ACS Nano* 10, pp. 4895-4919 (2016).

Yoshida, et al., Threshold Voltage Tuning for 10NM and Beyond CMOS Integration, *Solid State Technology*, 57(7): 23-25 (2014).

Yu et al., "Modulation of the Ni FUSI Workfunction by Yb Doping: from Midgap to N-Type Band-Edge," 4 pages, IEEE 0-7803-9269-8/05 (2005).

Yuan et al. "A Bifunctional Air Electrode Catalyzed by Lead Ruthenate for Li-Air Batteries" *ECS Transactions* 69(19), pp. 23-32 (2015).

Yuan et al., "Facile Synthesis of Single Crystal Vanadium Disulfide Nanosheets by Chemical Vapor Deposition for Efficient Hydrogen Evolution Reaction" *Adv. Mater.* 27, pp. 5605-5609 (2015).

Yun et al., "Behavior of Various Organosilicon Molecules in PECVD Processes for Hydrocarbon-Doped Silicon Oxide Films," *Solid State Phenomena*, vol. 124-126, 347-350 (2007).

Yun et al., "Comparison of Atomic Scale Etching of Poly-Si in Inductively Coupled Ar and He Plasmas", *Korean Journal of Chemical Engineering*, vol. 24, 670-673 (2007).

Yun et al., "Single-Crystalline Si Stacked Array (STAR) NAND Flash Memory," *IEEE Transactions on Electron Devices*, vol. 58, No. 4, 1006-1014 (2011).

Yun et al., "Effect of Plasma on Characteristics of Zirconium Oxide Films Deposited by Plasma-Enhanced Atomic Layer Deposition," *Electrochemical and Solid State Letters*, 8(11) F47-F50 (2005).

Yushin et al., "Carbon-Derived Carbon," Department of Materials Science and Engineering, Taylor & Francis Group, LLC (2006).

Zhao et al. "Surface Chemistry of Thermal Dry Etching of Cobalt Thin Films Using Hexafluoroacetylacetone (hfacH)" *Appl Surf Sci.* 455, pp. 438-445 (2018).

Zhao et al. "Thermal and Plasma-Enhanced Atomic Layer Deposition of Yttrium Oxide Films and the Properties of Water Wettability" *Appl. Mater. Interfac.* 12(2), 9 pages (2019).

Zhou et al., "A library of atomically thin metal chalcogenides" *Nature* 556, pp. 355-361 (2018).

Chemistry Stack Exchange, "Why is CF<sub>4</sub> Non-Polar and CHF<sub>3</sub> Polar," <https://chemistry.stackexchange.com/questions/31604/why-is-cf4-non-polar-and-chf3-polar>, (2015).

Crystal IS "Application Note: Using UV Reflective Materials to Maximize Disinfection"; AN011; Jun. 16, 2016.

IPS Water Heater Pan Adapter Kit, Nov. 1, 2015, [online], [site visited Dec. 4, 2019]; URL: <http://es.ipscorp.com/watertite/protectivesystem/whpanadapter> (2015).

"Polyurethane\_HF"; webpage; no date. Cited in Notice of References dated May 18, 2017 in U.S. Appl. No. 14/884,695.

Rhenium trioxide; [https://en.wikipedia.org/wiki/Rhenium\\_trioxide](https://en.wikipedia.org/wiki/Rhenium_trioxide) [online]; last edited on Feb. 18, 2017.

Scientific and Technical Information Center EIC 2800 Search Report dated Feb. 16, 2012.

\* cited by examiner

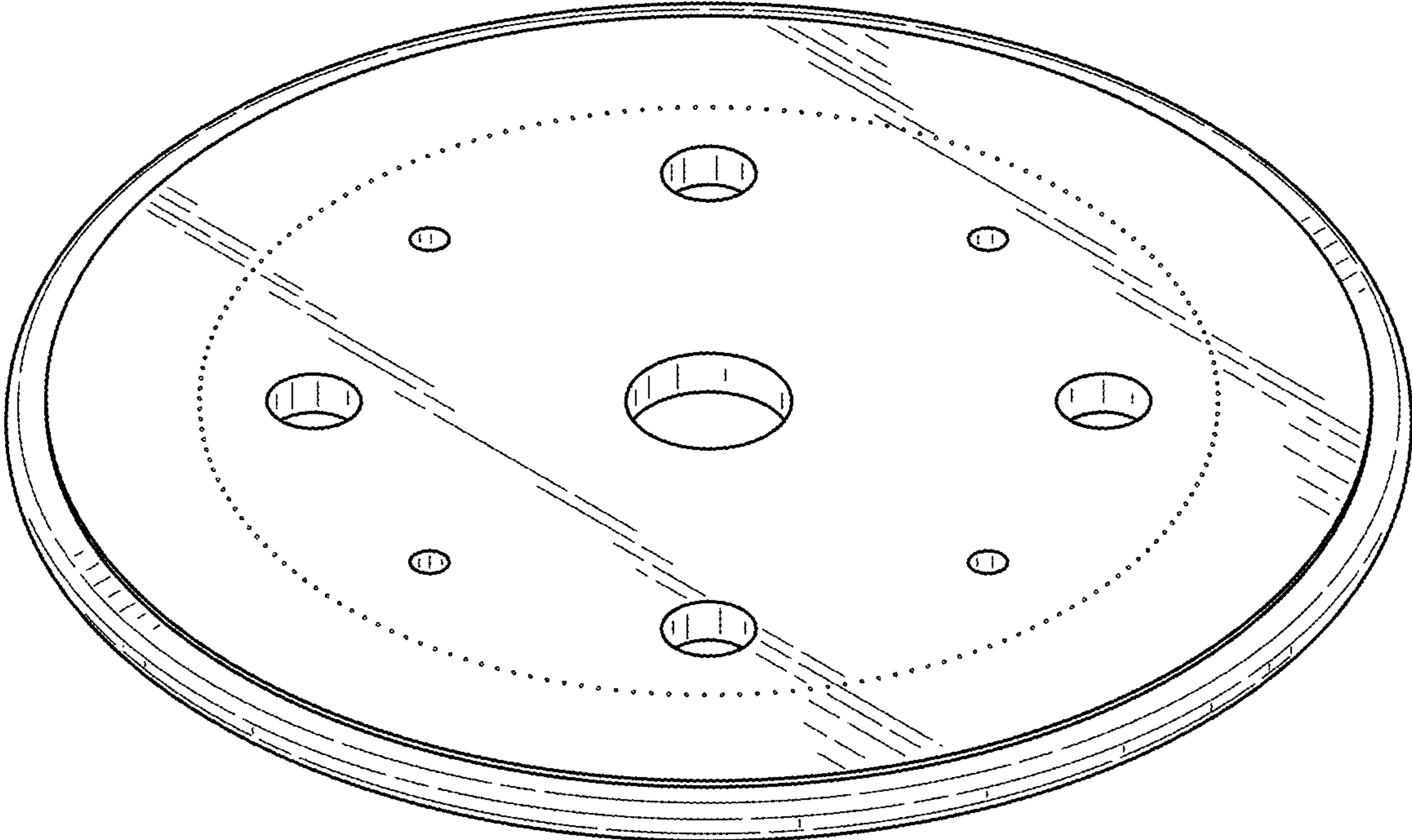


FIG.1

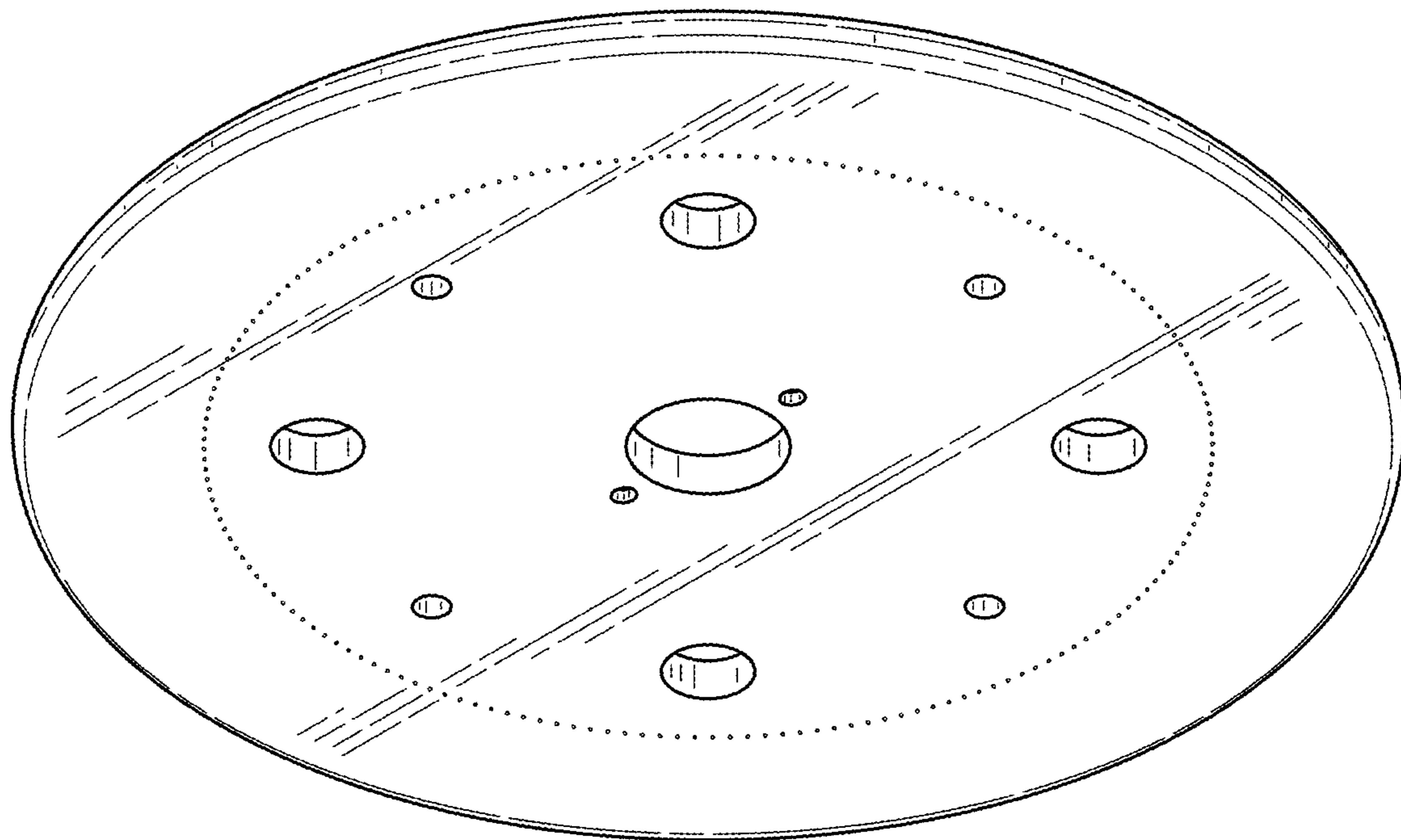


FIG. 2



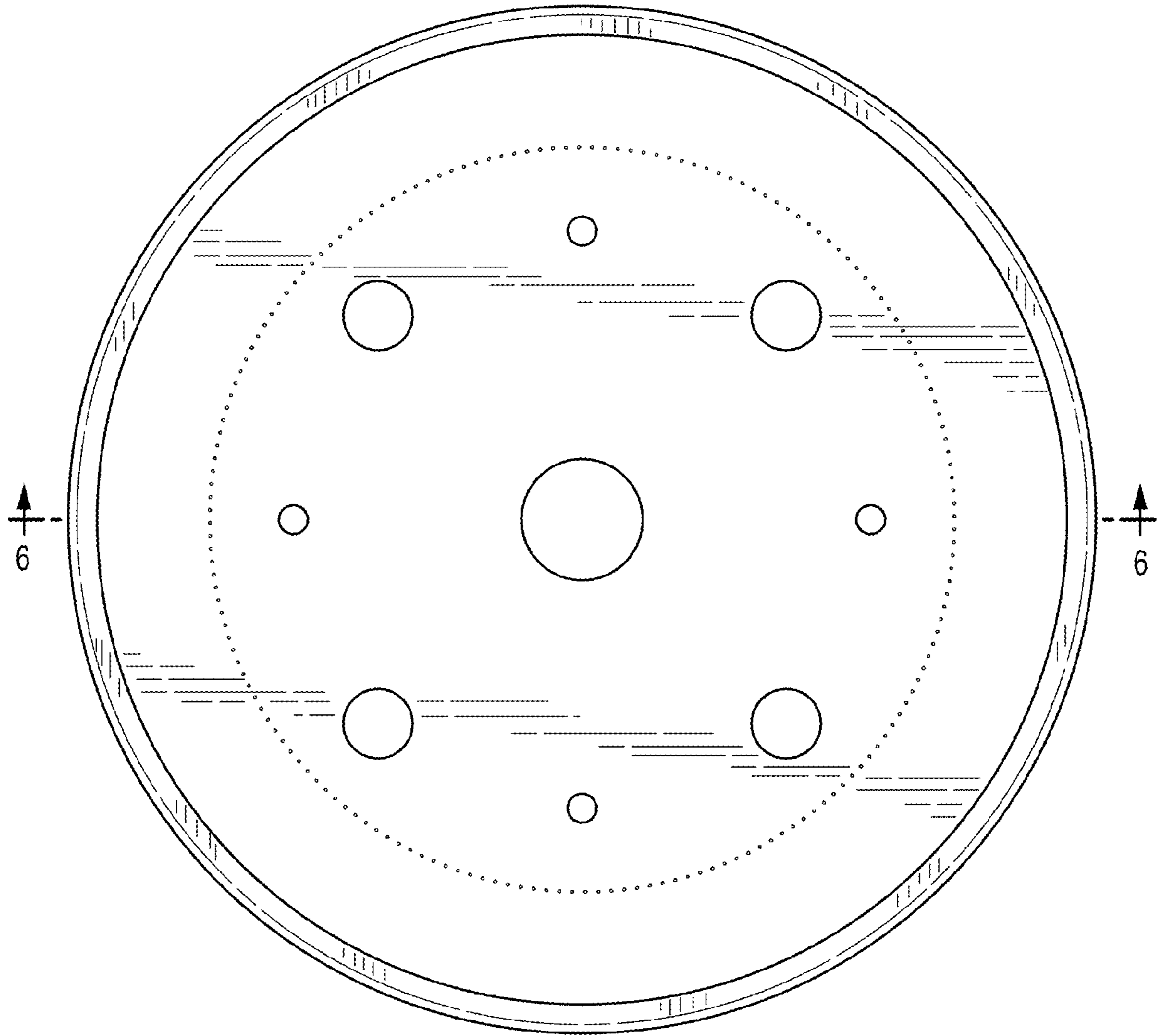


FIG.3

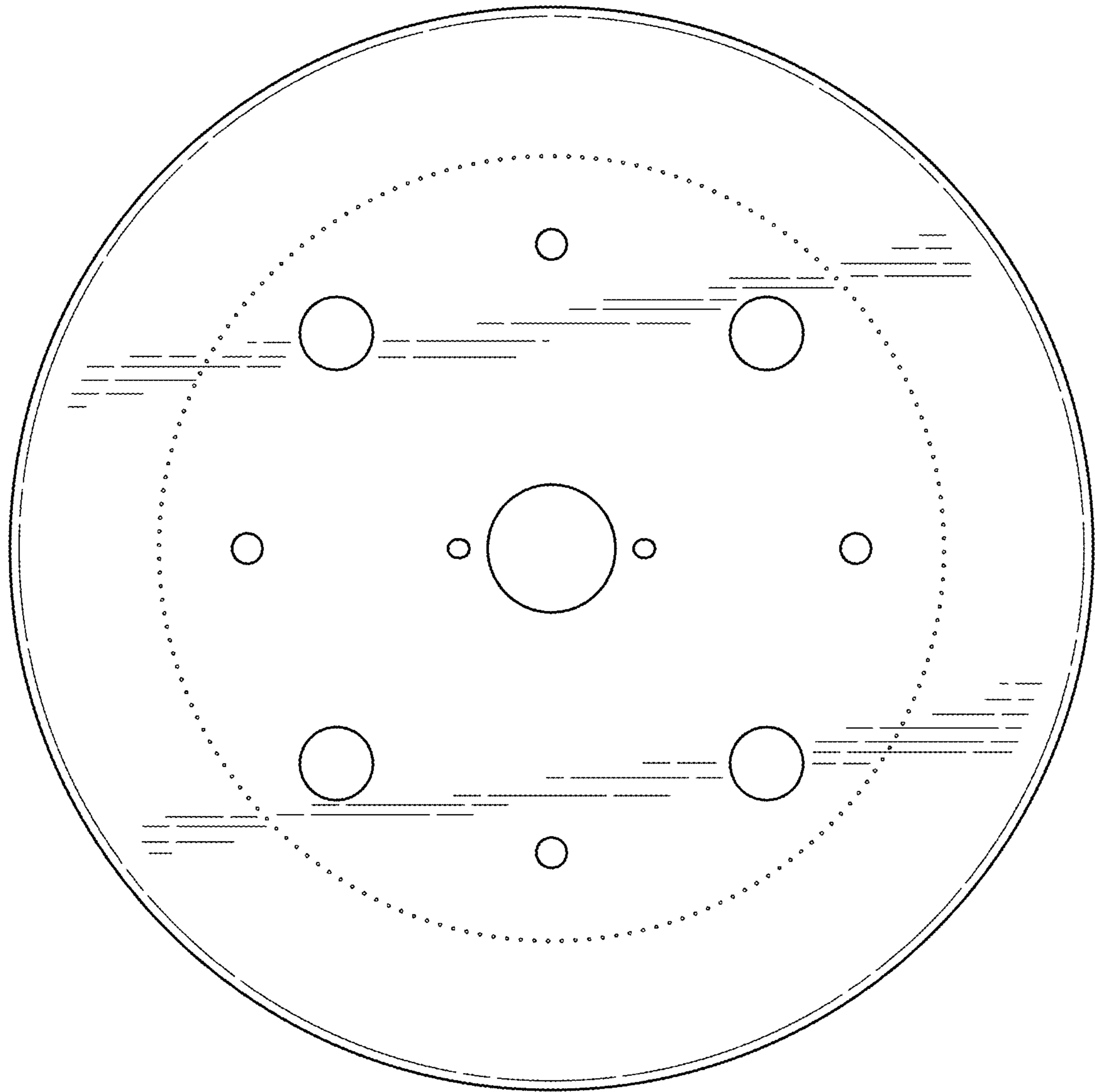


FIG.4

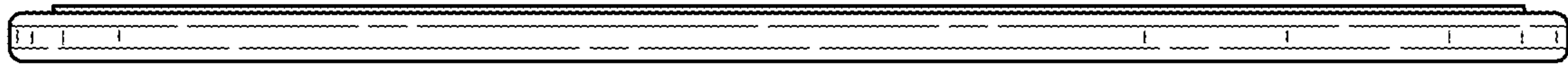


FIG.5

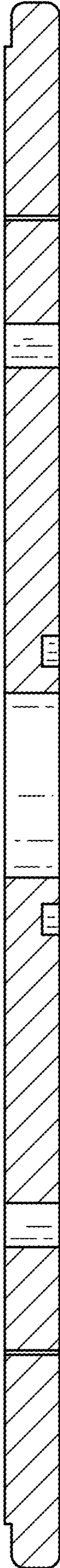


FIG. 6