



US00D980812S

(12) **United States Design Patent**  
**Michalak**

(10) **Patent No.:** **US D980,812 S**  
(45) **Date of Patent:** **\*\* Mar. 14, 2023**

(54) **HOUSING FOR AN ELECTRONIC DEVICE**

(71) Applicant: **EBS Sp. z o.o.**, Warsaw (PL)

(72) Inventor: **Jaroslav Michalak**, Warsaw (PL)

(73) Assignee: **EBS SP ZO.O**, Warsaw (PL)

(\*\*) Term: **15 Years**

(21) Appl. No.: **29/734,032**

(22) Filed: **May 8, 2020**

(51) **LOC (14) Cl.** ..... **13-03**

(52) **U.S. Cl.**  
USPC ..... **D13/184**; D14/433

(58) **Field of Classification Search**  
USPC ..... D14/240, 242, 356, 358, 363, 365, 367,  
D14/370, 432-437, 439, 125, 366, 168,  
D14/496; D13/103, 107, 108, 118, 119,  
D13/123, 133, 134, 154, 158, 162, 173,  
D13/184, 110  
CPC ..... H04N 7/00; H04D 10/70  
See application file for complete search history.

(56) **References Cited**

**U.S. PATENT DOCUMENTS**

D602,452 S *	10/2009	Grundker	.....	D13/184
D614,979 S *	5/2010	McNames	.....	D10/70
D634,704 S *	3/2011	Tieleman	.....	D13/102
D702,239 S *	4/2014	Lee	.....	D14/432
D705,748 S *	5/2014	He	.....	D14/155
D733,043 S *	6/2015	Hasbrook	.....	D13/103
D752,529 S *	3/2016	Loretan	.....	D14/125
D756,338 S *	5/2016	Jou	.....	D14/242
D756,976 S *	5/2016	Jou	.....	D14/242
D763,262 S *	8/2016	Hallar	.....	D14/434
D765,066 S *	8/2016	Cowles	.....	D14/240
D771,024 S *	11/2016	Epstein	.....	D14/242
D783,619 S *	4/2017	Couture	.....	D14/433
D830,869 S *	10/2018	Siminoff	.....	D10/106.1
D844,006 S *	3/2019	Molnár	.....	D14/434

D849,006 S *	5/2019	Pang	.....	D14/433
D854,018 S *	7/2019	Liao	.....	D14/433
D862,405 S *	10/2019	Russo	.....	D14/125
D864,145 S *	10/2019	Zhang	.....	D14/433
D879,150 S *	3/2020	Kusano	.....	D14/203.1
D886,812 S *	6/2020	Jung	.....	D14/240
D916,028 S *	4/2021	Yu	.....	D13/139.8
D924,933 S *	7/2021	Kusano	.....	D14/496
D926,188 S *	7/2021	Zhang	.....	D14/433
D937,260 S *	11/2021	Kuwano	.....	D14/358
D944,803 S *	3/2022	Liao	.....	D14/433
D945,392 S *	3/2022	Jia	.....	D14/155
D952,477 S *	5/2022	Gong	.....	D10/52
D953,304 S *	5/2022	Huang	.....	D14/225
D953,337 S *	5/2022	Zhang	.....	D14/433

**OTHER PUBLICATIONS**

Pending design U.S. Appl. No. 29/744,256, filed Jul. 28, 2020, applicant EBS Sp. z.o.o.

\* cited by examiner

*Primary Examiner* — Keli L Hill  
*Assistant Examiner* — Harold E Blackwell, II  
(74) *Attorney, Agent, or Firm* — Polson Intellectual Property Law, PC; Margaret Polson

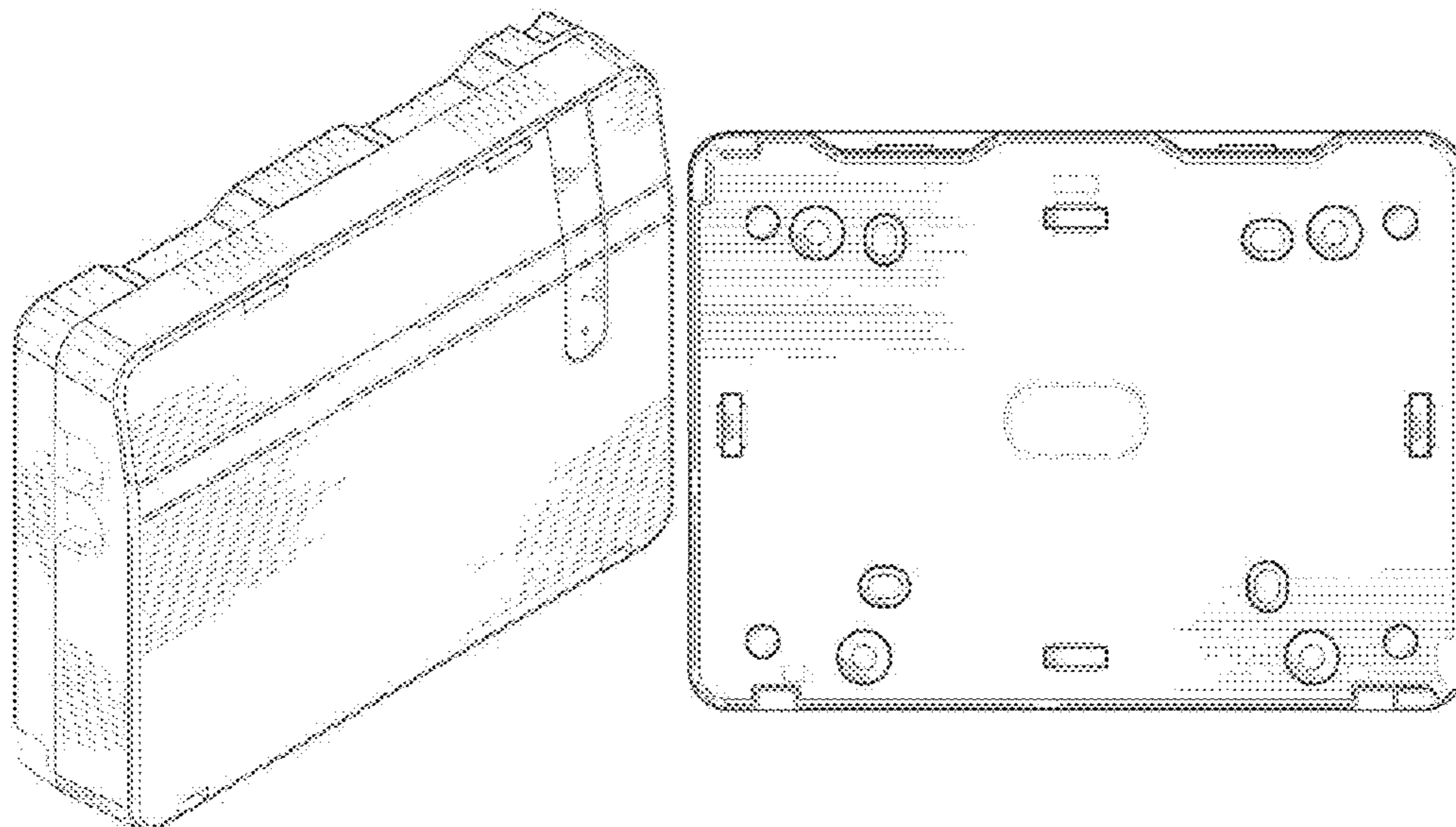
(57) **CLAIM**

The ornamental design for a housing for an electronic device, as shown.

**DESCRIPTION**

FIG. 1 is a front isometric view of a new design for a housing for an electronic device.  
FIG. 2 is a front side elevation view of FIG. 1.  
FIG. 3 is a back side elevation view of FIG. 1.  
FIG. 4 is a right side elevation view of FIG. 1.  
FIG. 5 is a left side elevation view of FIG. 1.  
FIG. 6 is a top plan view of FIG. 1; and,  
FIG. 7 is a bottom plan view of FIG. 1.

**1 Claim, 6 Drawing Sheets**



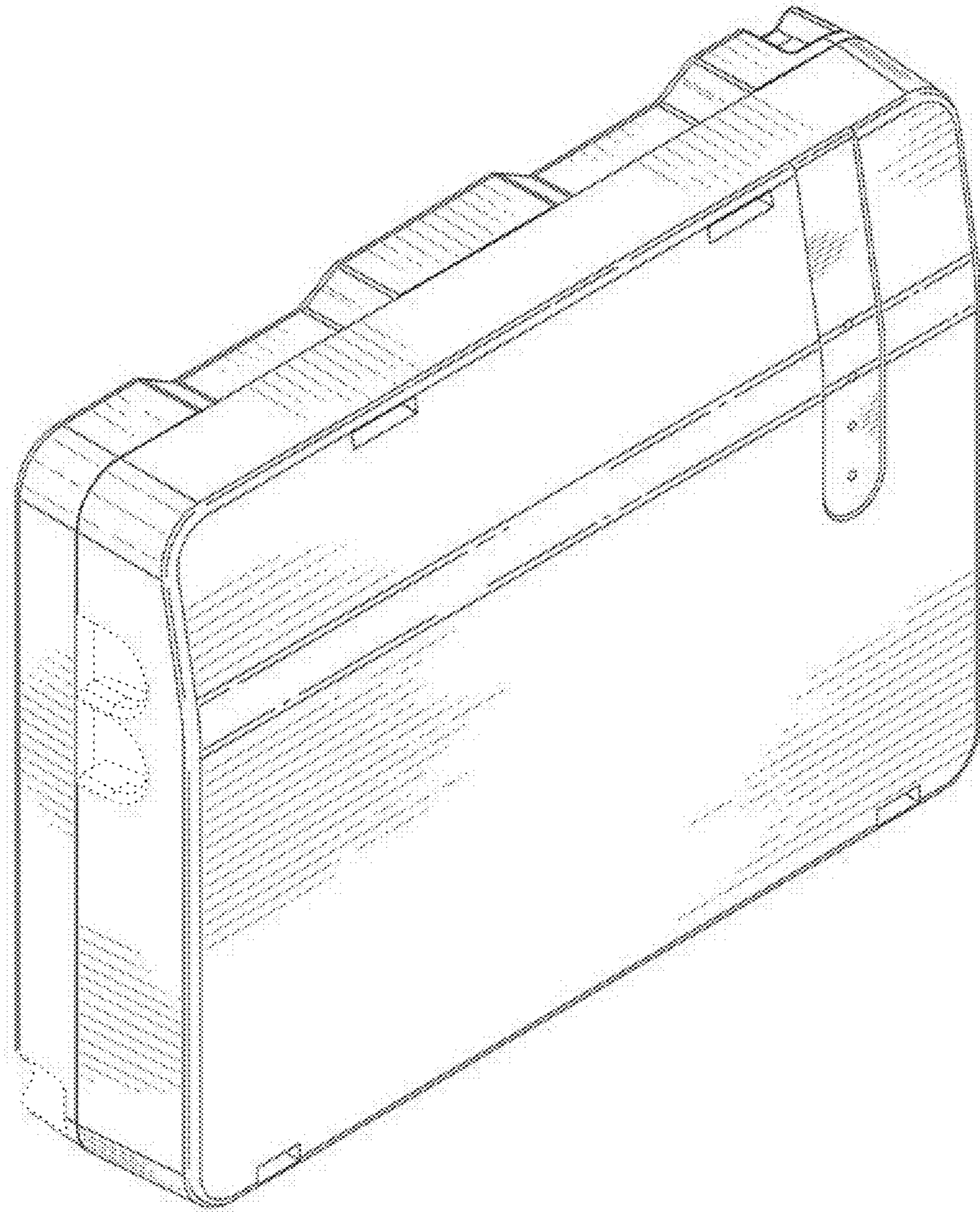


FIG. 1



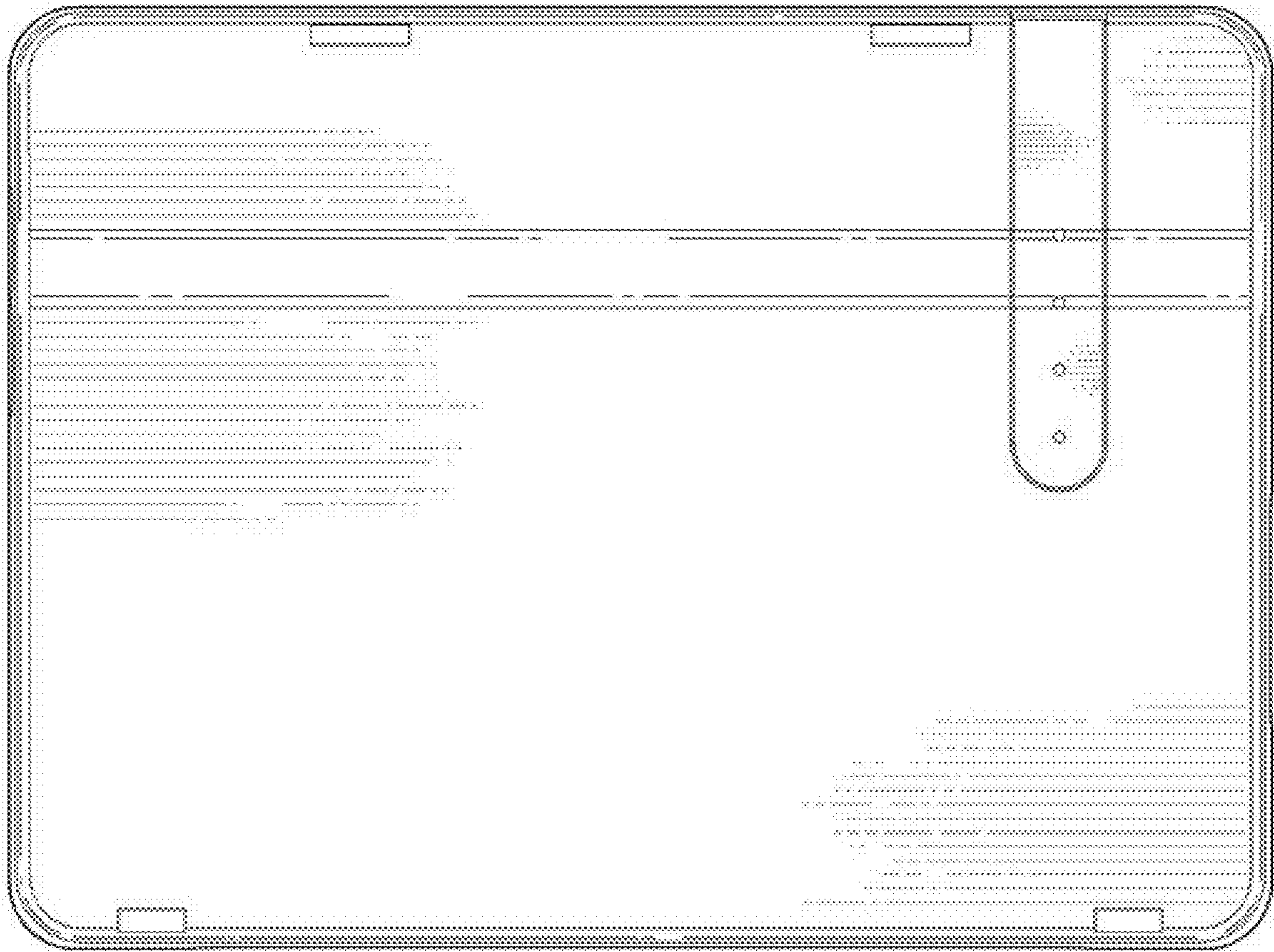


FIG. 2

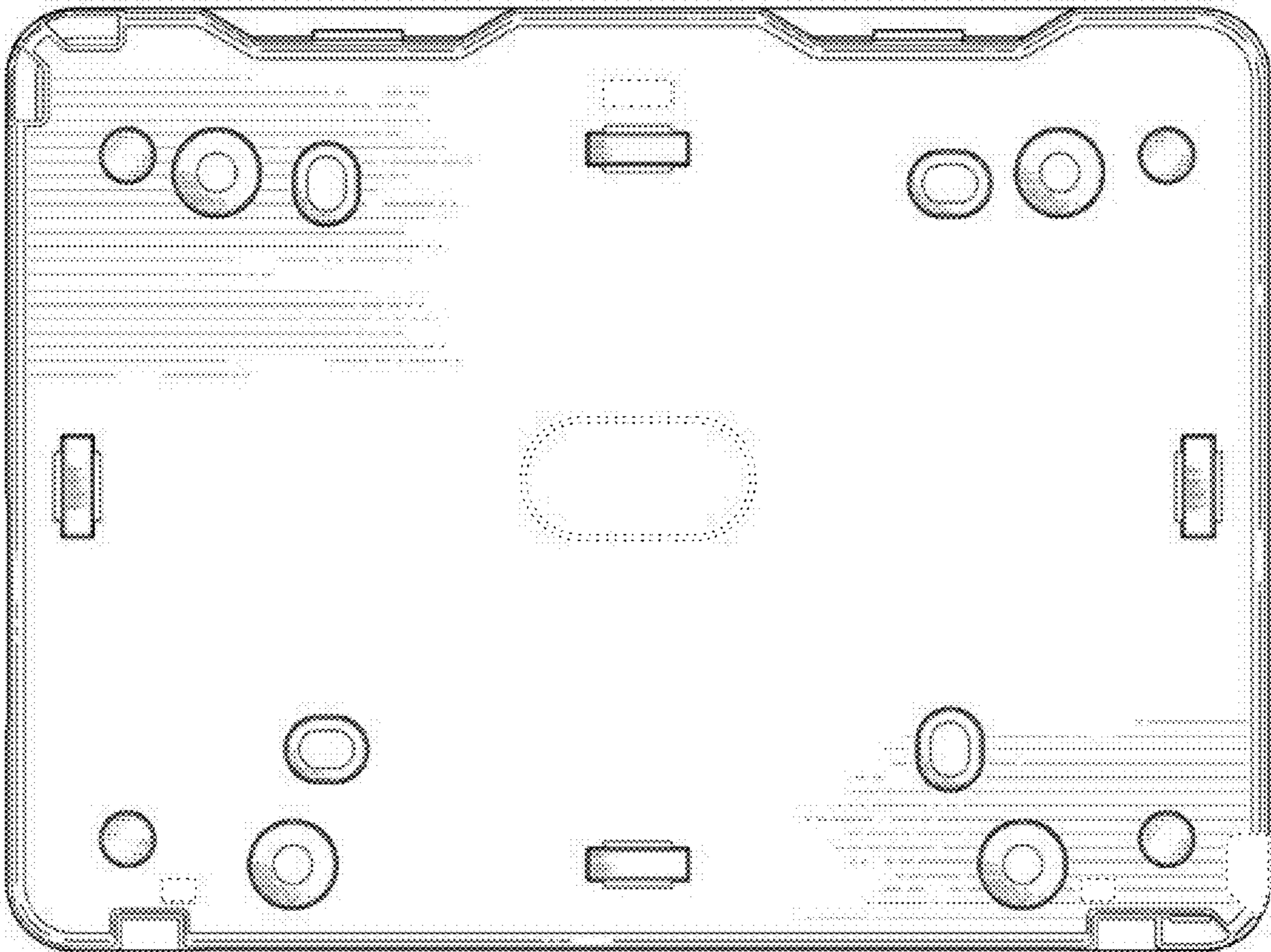


FIG. 3

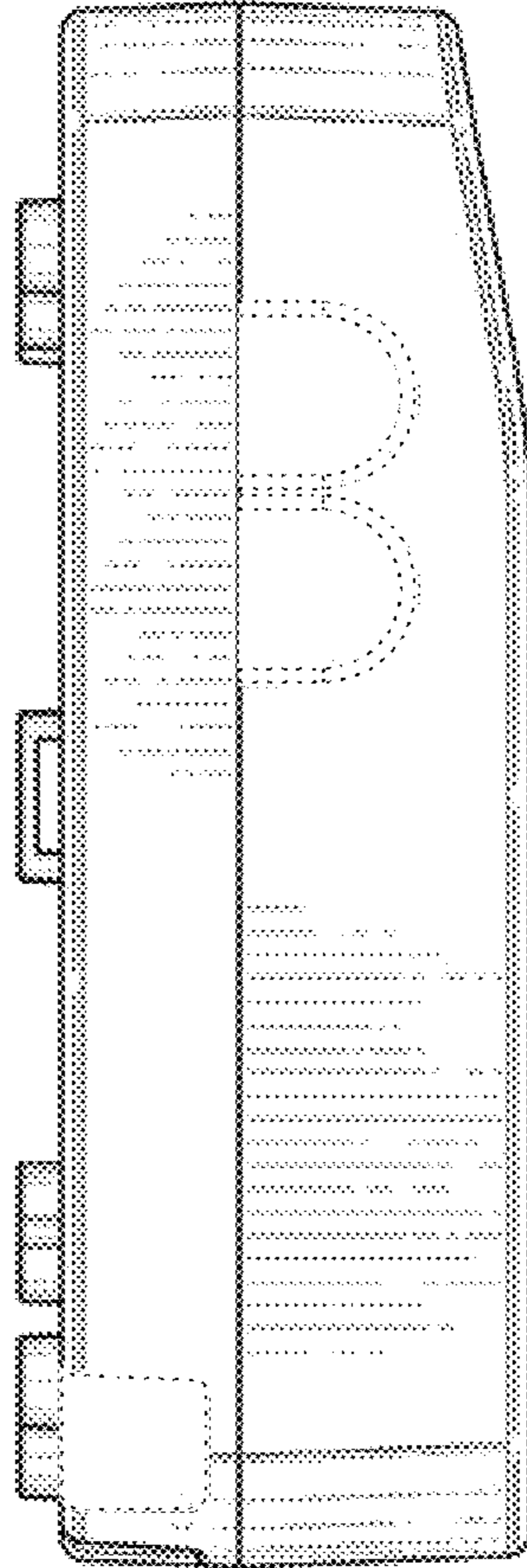


FIG. 4

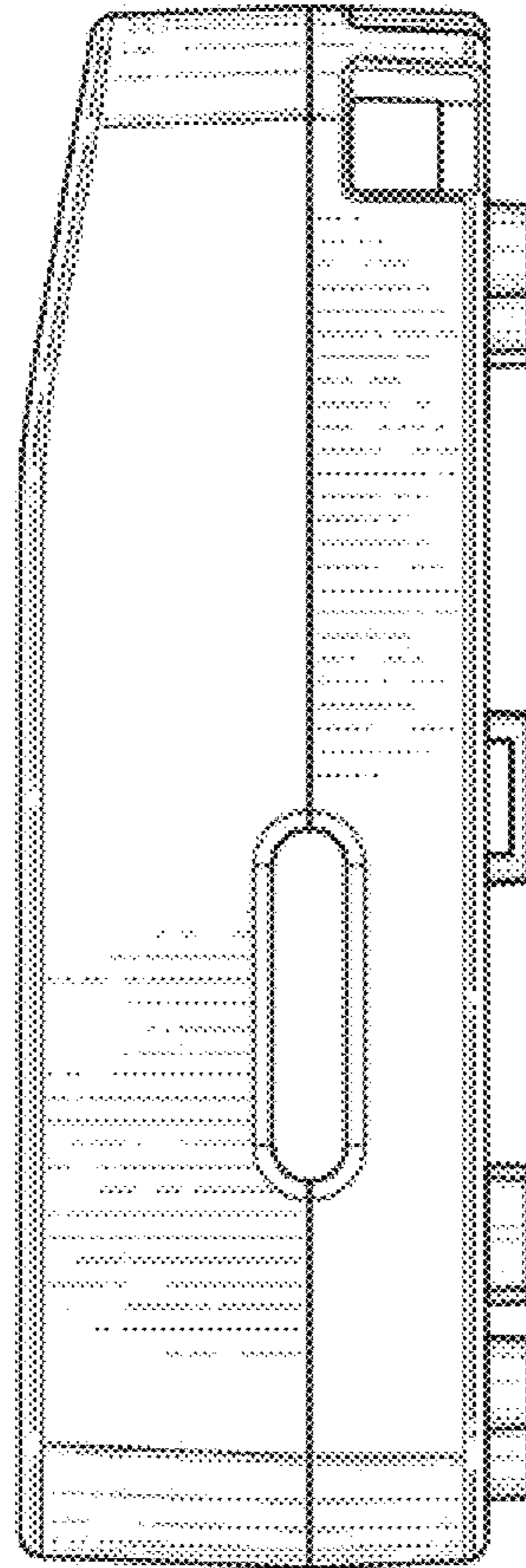


FIG. 5



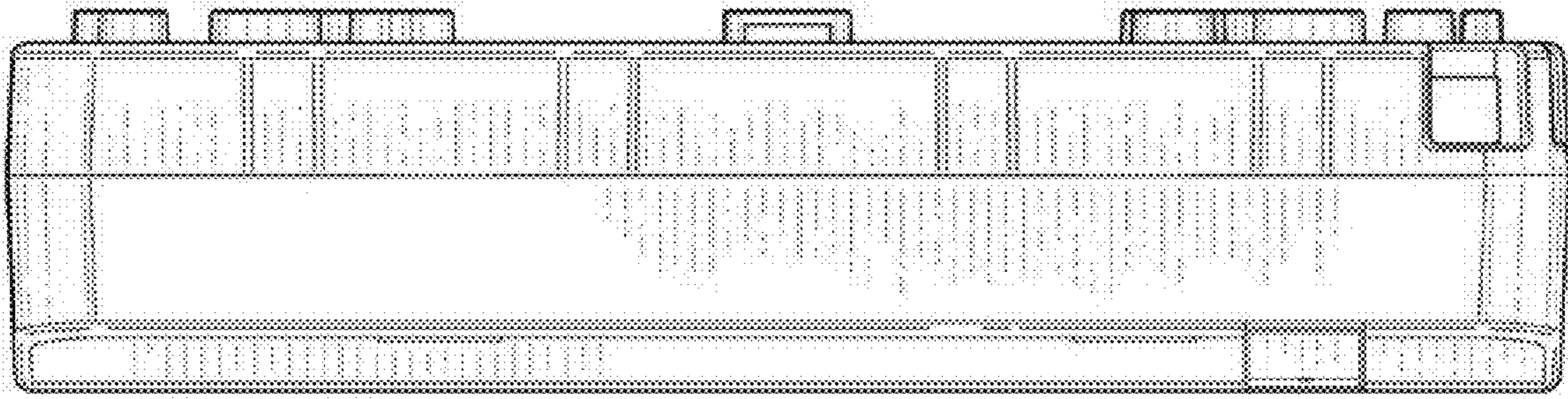


FIG. 6

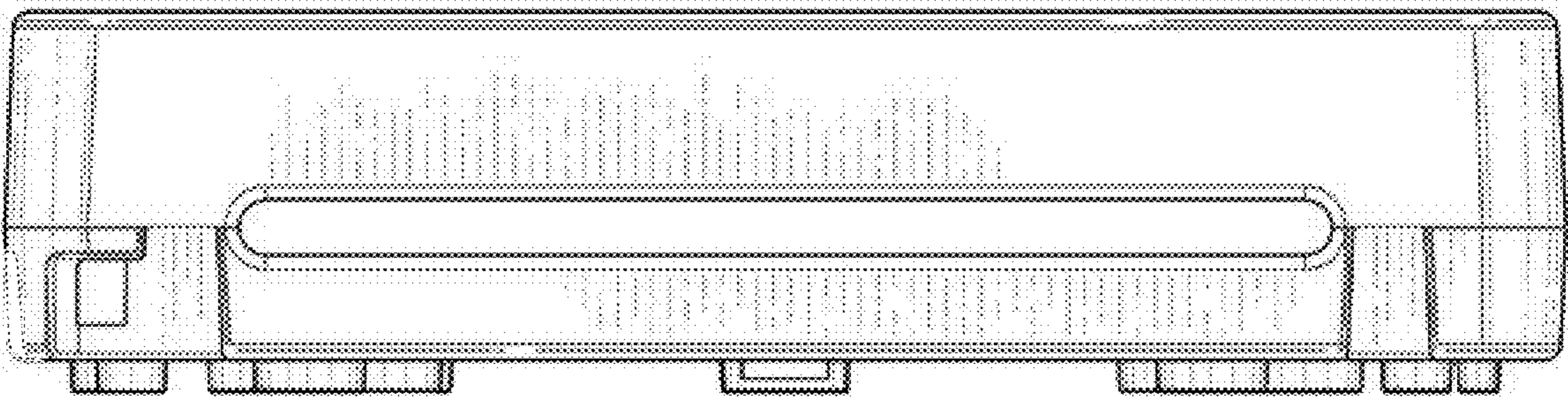


FIG. 7