



US00D980810S

(12) **United States Design Patent**
Kondo et al.

(10) **Patent No.:** **US D980,810 S**
(45) **Date of Patent:** **** Mar. 14, 2023**

- (54) **INTEGRATED CIRCUIT CARD**
- (71) Applicant: **KIOXIA Corporation**, Tokyo (JP)
- (72) Inventors: **Atsushi Kondo**, Yokohama (JP);
Katsuyoshi Watanabe, Fujisawa (JP)
- (73) Assignee: **KIOXIA Corporation**, Tokyo (JP)
- (**) Term: **15 Years**
- (21) Appl. No.: **29/747,965**
- (22) Filed: **Aug. 26, 2020**

- D643,431 S 8/2011 Nakamura
 - D643,432 S 8/2011 Nakamura
 - D681,640 S * 5/2013 Aoki D14/436
 - 8,975,763 B2 * 3/2015 Sugimura G06K 19/07732
257/797
 - D729,250 S * 5/2015 Han D14/436
- (Continued)

(30) **Foreign Application Priority Data**

Feb. 27, 2020 (JP) JP2020-003737 D

- (51) **LOC (14) Cl.** **13-03**
- (52) **U.S. Cl.**
USPC **D13/182; D14/436**
- (58) **Field of Classification Search**
USPC D13/103, 164, 160, 158, 162, 174, 199,
D13/110, 182; D14/356, 357, 435-438;
D10/49
CPC G05B 11/01; G05B 2219/2642; G08C
19/00; G06K 19/077; H01L 23/00; H01L
23/02; H01L 23/528; H05K 1/00; H05K
1/02
See application file for complete search history.

(56) **References Cited**

U.S. PATENT DOCUMENTS

- D407,392 S * 3/1999 Kleineidam D14/479
- D452,865 S * 1/2002 Wallace D14/436
- D457,887 S * 5/2002 Kadonaga D13/182
- D466,119 S * 11/2002 Funahashi D14/384
- D552,098 S * 10/2007 Nishizawa D14/436
- D552,612 S * 10/2007 Nishizawa D14/436
- D588,597 S * 3/2009 Nakamura D14/436
- D588,598 S * 3/2009 Nakamura D14/436
- D588,599 S * 3/2009 Nakamura D14/436
- D639,812 S * 6/2011 Nakamura D14/436

FOREIGN PATENT DOCUMENTS

- JP D1098466 S 1/2001
 - JP D1178924 S 7/2003
- (Continued)

OTHER PUBLICATIONS

(5PCS) LM4855LQ/NOPB IC AMP Audio PWR 1.5W, available in Amazon.com, date first available Sep. 25, 2015[online], [site visited Oct. 20, 2022], Available from the internet URL: <https://www.amazon.com/LM4855LQ-NOPB-AUDIO-24LLP-LM4855/dp/B015SLKF6Y> (Year: 2015).*

Primary Examiner — Christy Nemeth
Assistant Examiner — Leah E Hoferkamp
(74) *Attorney, Agent, or Firm* — Banner & Witcoff, Ltd.

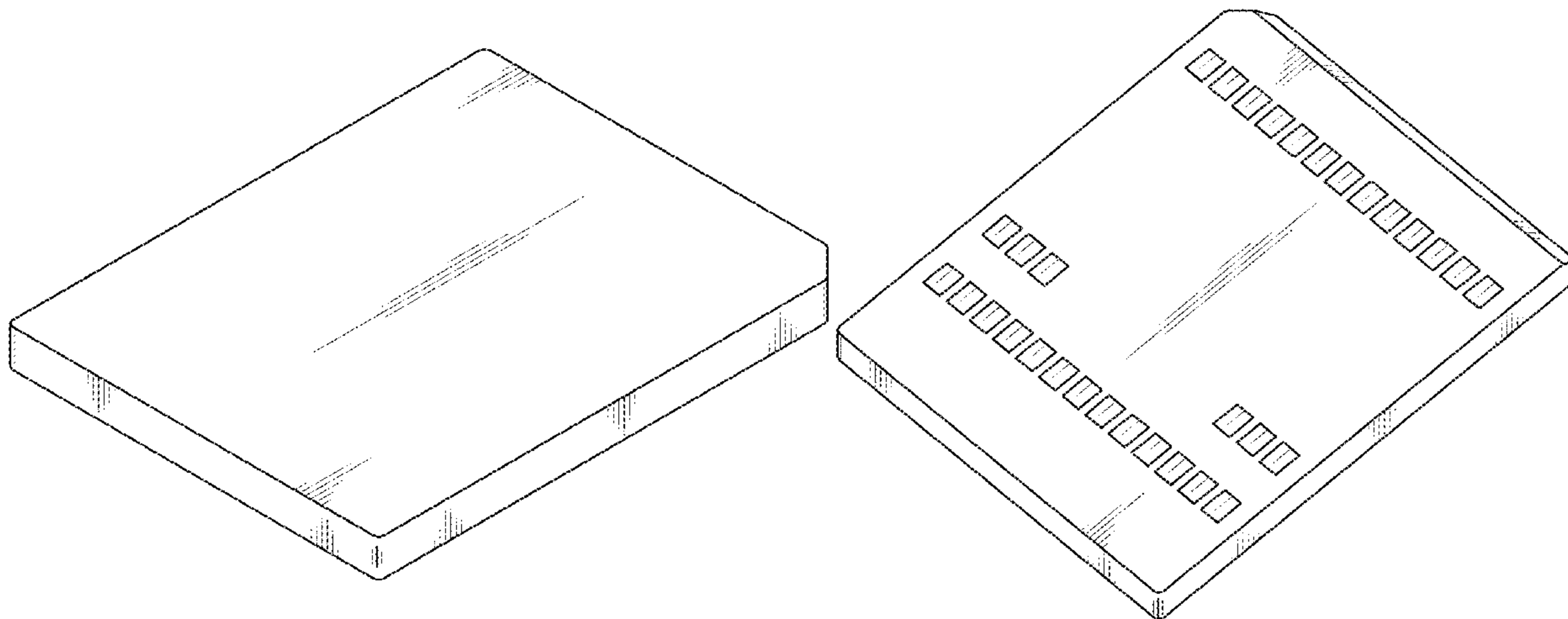
(57) **CLAIM**

The ornamental design for an integrated circuit card, as shown and described.

DESCRIPTION

FIG. 1 is a front perspective view of an integrated circuit card showing our new design, FIG. 2 is a rear perspective view thereof, FIG. 3 is a front elevational view thereof, FIG. 4 is a rear elevational view thereof, FIG. 5 is a top plan view thereof, FIG. 6 is a bottom plan view thereof, FIG. 7 is a left side elevational view thereof; and, FIG. 8 is a right side elevational view thereof.

1 Claim, 6 Drawing Sheets



(56)

References Cited

2008/0006927 A1* 1/2008 Hiew H01L 24/97
257/691
2016/0260494 A1* 9/2016 Cao G11C 16/10

U.S. PATENT DOCUMENTS

D814,473 S * 4/2018 Kadonaga D14/436
D832,227 S * 10/2018 Chikamatsu D13/182
D848,431 S 5/2019 Kadonaga
D872,033 S * 1/2020 Morelli D13/147
D902,164 S * 11/2020 Kondo D13/182
D928,162 S * 8/2021 Kadonaga D14/436
D934,820 S * 11/2021 Okawa D13/182
D934,868 S * 11/2021 Kadonaga D14/436
D938,925 S * 12/2021 Okawa D13/182
2001/0010397 A1* 8/2001 Masuda G06K 19/07732
257/E25.011
2006/0087016 A1* 4/2006 Wada H05K 3/284
257/679
2006/0091568 A1* 5/2006 Tanigawa G11C 5/04
257/E23.179
2006/0118641 A1* 6/2006 Hwang G06K 19/07732
235/492
2006/0273442 A1* 12/2006 Tsai H01L 23/04
257/E21.705

FOREIGN PATENT DOCUMENTS

JP D1199504 S 3/2004
JP D1210918 S 7/2004
JP D1262094 S 2/2006
JP D1262095 S 2/2006
JP D1262274 S 2/2006
JP D1262275 S 2/2006
JP D1621567 S 1/2019
KR 30-0316501 S 1/2003
KR 30-0316501-1 S 4/2003
KR 30-0316501-2 S 4/2003
KR 30-0331556 S 8/2003
KR 30-0348564 S 4/2004
KR 30-0394926 S 10/2005
KR 30-0418550 S 7/2006
KR 30-0418550-1 S 8/2006
KR 30-0423202-1 S 8/2006
KR 30-0423202 S 8/2006
KR 30-1001152 S 4/2019

* cited by examiner

FIG. 1

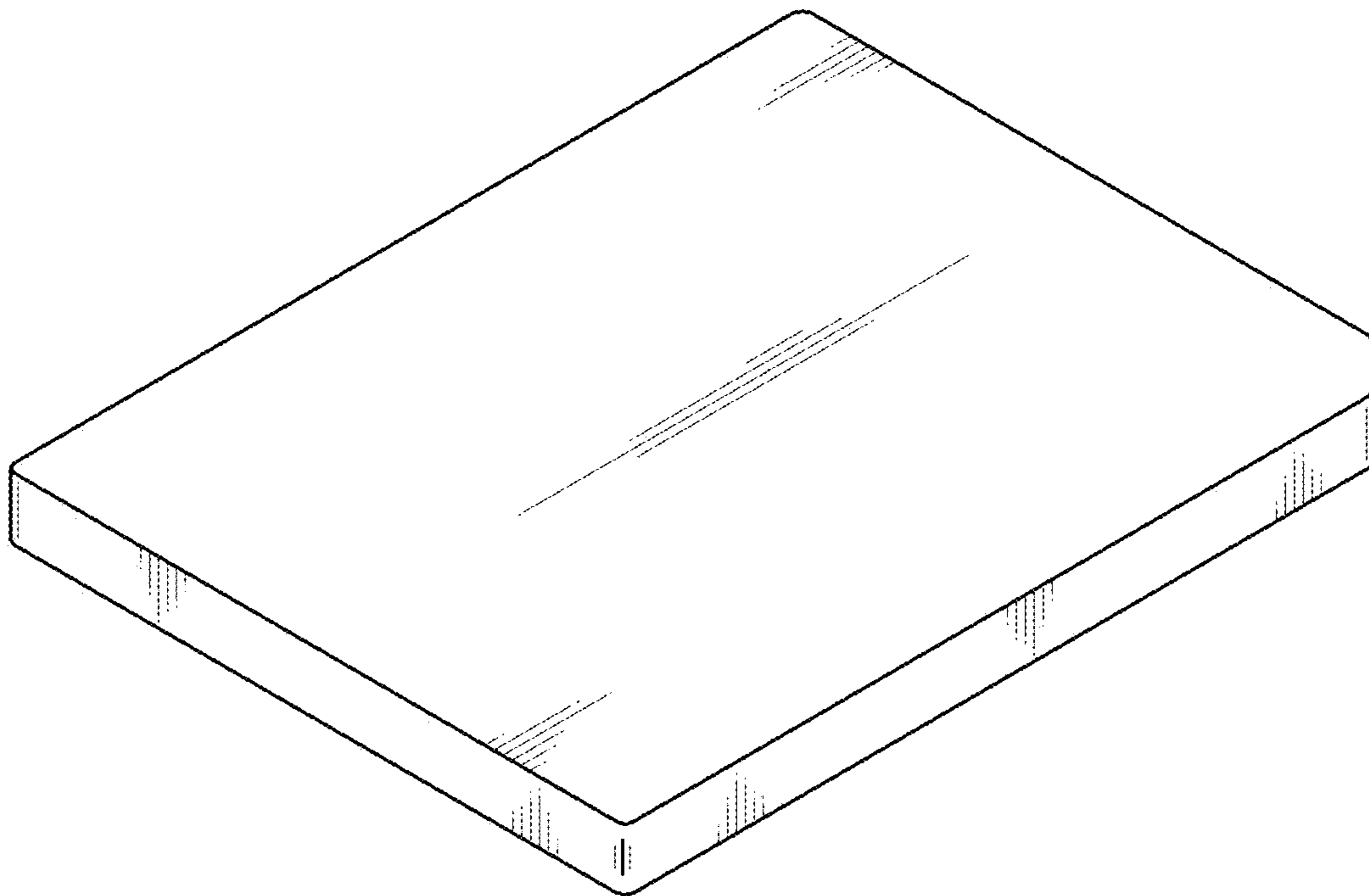


FIG. 2

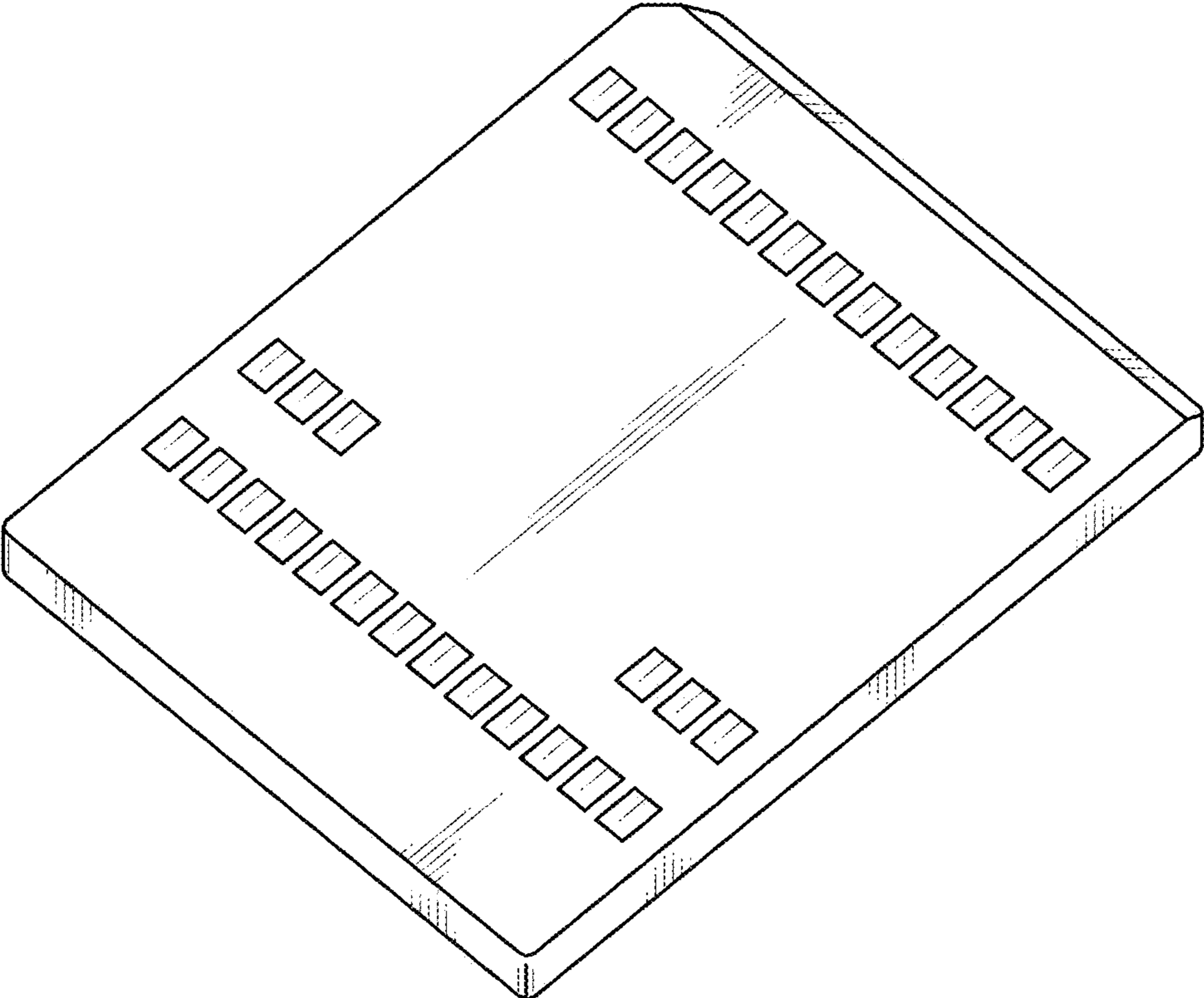


FIG. 3

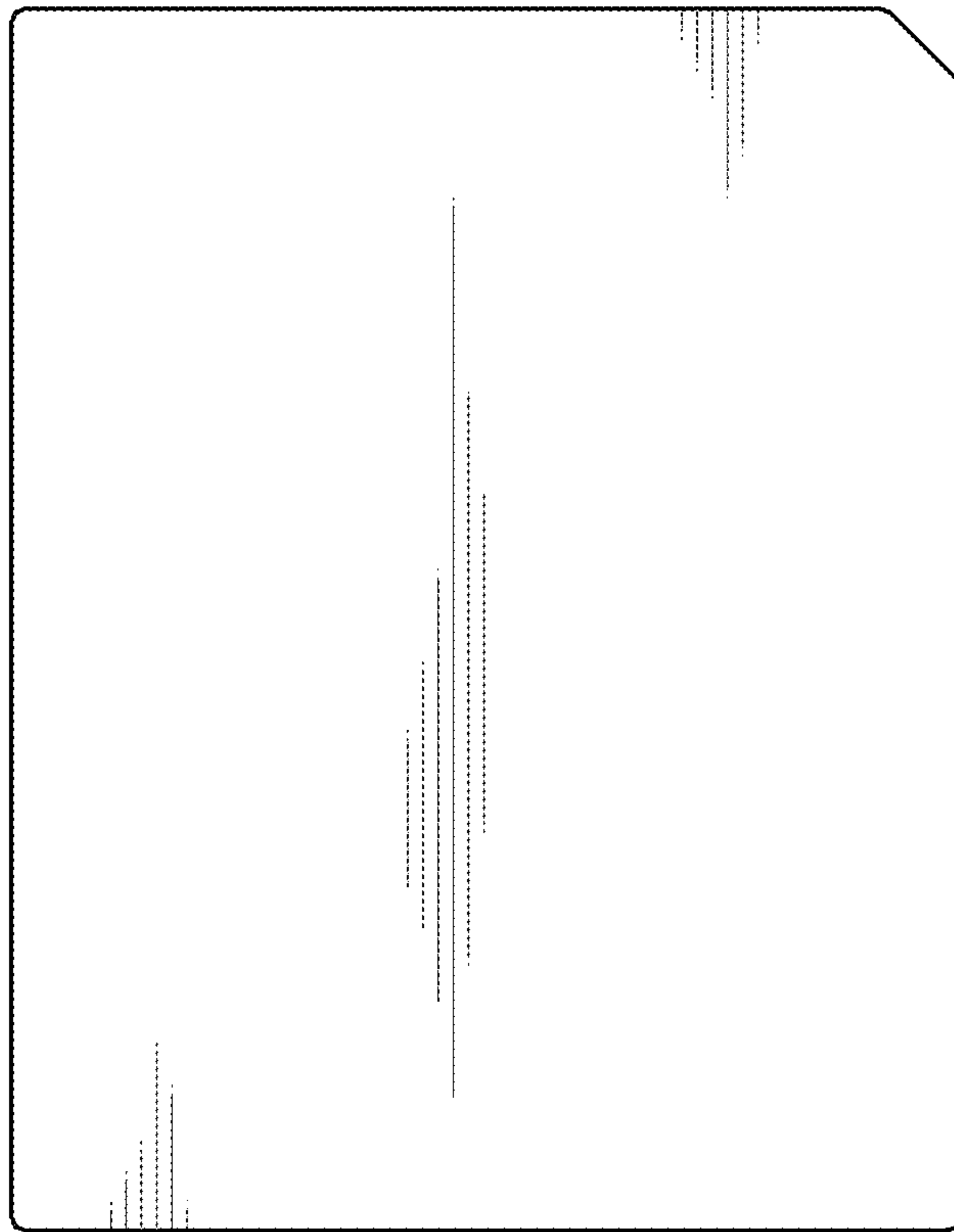


FIG. 4

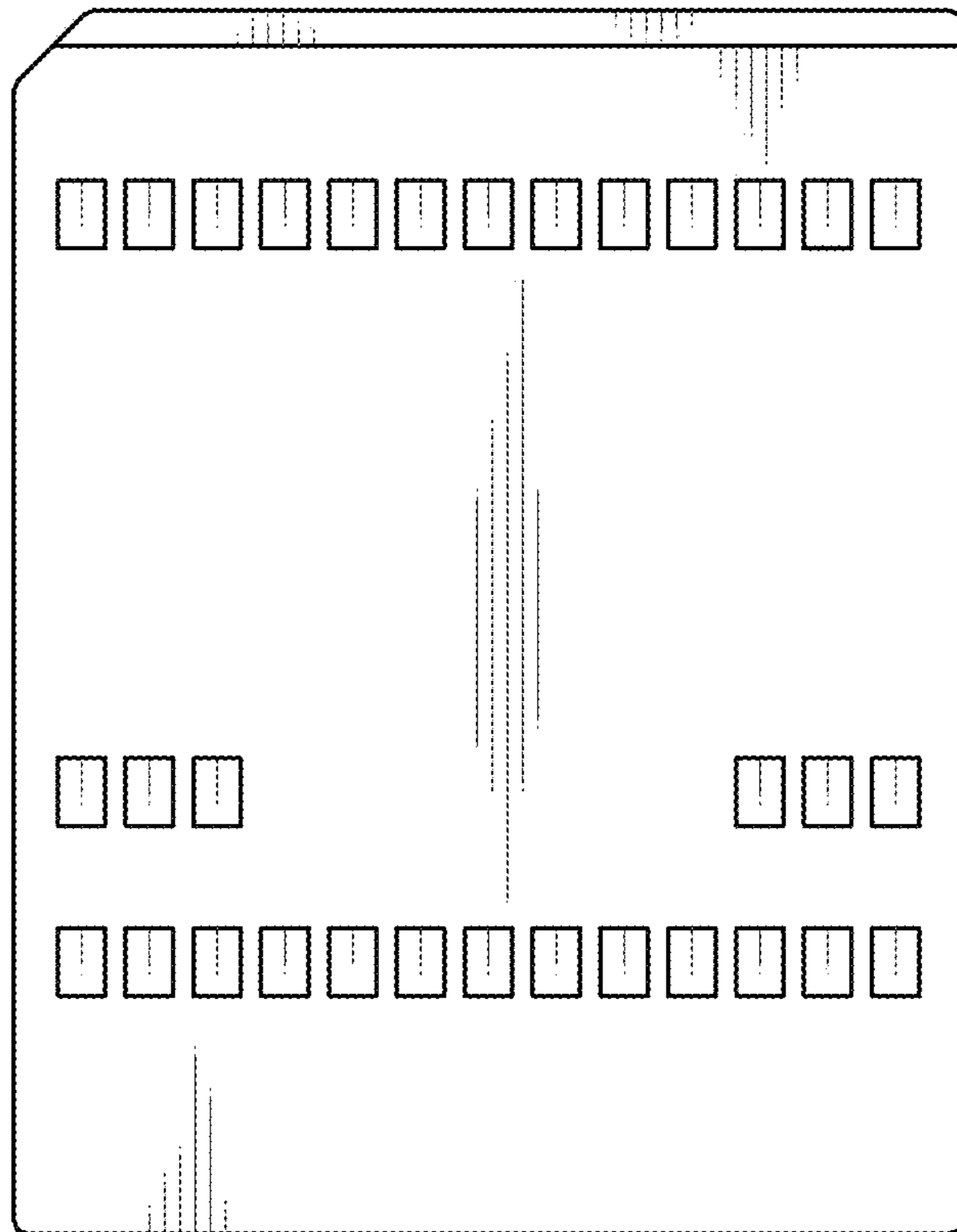


FIG. 5



FIG. 6



FIG. 7



FIG. 8

