



US00D980809S

(12) **United States Design Patent** (10) **Patent No.:** **US D980,809 S**  
**Ayers et al.** (45) **Date of Patent:** **\*\* \*Mar. 14, 2023**

(54) **PUSH BUTTON KNOB WITH ILLUMINATION CAPABILITIES FOR A LAUNDRY TREATING APPLIANCE**

(71) Applicant: **WHIRLPOOL CORPORATION**,  
Benton Harbor, MI (US)

(72) Inventors: **Kevin B. Ayers**, Saint Joseph, MI (US);  
**Andrew C. Kubasiak**, Saint Joseph, MI (US); **Todd W. Lambkin**,  
Stevensville, MI (US); **Daniel Polonsky**, Stevensville, MI (US); **Anna C. Schelling**, Stevensville, MI (US)

(73) Assignee: **Whirlpool Corporation**, Benton Harbor, MI (US)

(\*) Notice: This patent is subject to a terminal disclaimer.

(\*\*) Term: **15 Years**

(21) Appl. No.: **29/762,144**

(22) Filed: **Dec. 15, 2020**

(56) **References Cited**  
U.S. PATENT DOCUMENTS

4,373,405	A	2/1983	Geil
D362,841	S	10/1995	Roza
D377,337	S	1/1997	Schaeffer
D441,346	S	5/2001	Bonn
6,434,977	B1	8/2002	Hapke et al.
7,005,596	B2	2/2006	Maeda et al.
7,222,979	B1	5/2007	Popowich et al.
D558,010	S	12/2007	Uglum
D558,692	S	1/2008	Neveu
7,339,128	B2	3/2008	Yen
D570,300	S	6/2008	Weinberg
7,501,722	B2	3/2009	Shitanaka et al.
7,784,310	B1	8/2010	Bradford et al.
7,884,299	B2	2/2011	Glew
7,900,486	B2	3/2011	Richiman et al.
7,941,885	B2	5/2011	Wong et al.
7,950,088	B2	5/2011	Dalton et al.
7,977,295	B2	7/2011	Classen
8,101,562	B2	1/2012	Classen
D654,880	S	2/2012	Lam
8,196,441	B2	6/2012	Hendrickson et al.
8,286,288	B2	10/2012	McAllister et al.
8,388,695	B2	3/2013	Hendrickson et al.
8,397,328	B2	3/2013	Hendrickson et al.
8,438,881	B2	5/2013	Ihne et al.
8,615,834	B2	12/2013	McAllister et al.
8,650,917	B2	2/2014	McAllister et al.
8,752,405	B2	6/2014	Kim et al.
8,813,526	B2	8/2014	Doyle et al.
8,813,676	B2	8/2014	Fuller et al.
D713,236	S	9/2014	Park
8,950,882	B2	2/2015	Park
D725,612	S	3/2015	Schlegel et al.
8,997,289	B2	4/2015	Bang et al.
9,003,588	B2	4/2015	Amos et al.
9,086,216	B2	7/2015	Park
9,093,233	B2	7/2015	Kim et al.
9,127,390	B2	9/2015	Kim et al.
9,271,627	B2	3/2016	Alexander et al.
9,340,918	B2	5/2016	Lv et al.
9,416,482	B2	8/2016	Alexander et al.
D766,844	S	9/2016	Turksu et al.
9,445,704	B2	9/2016	McAllister et al.
9,663,891	B2	5/2017	Park
9,851,620	B2	12/2017	Song
D807,308	S	1/2018	Johnson et al.
D808,092	S	1/2018	Kim et al.
D814,428	S *	4/2018	Dimberg ..... D13/174
9,976,244	B2	5/2018	Yang et al.

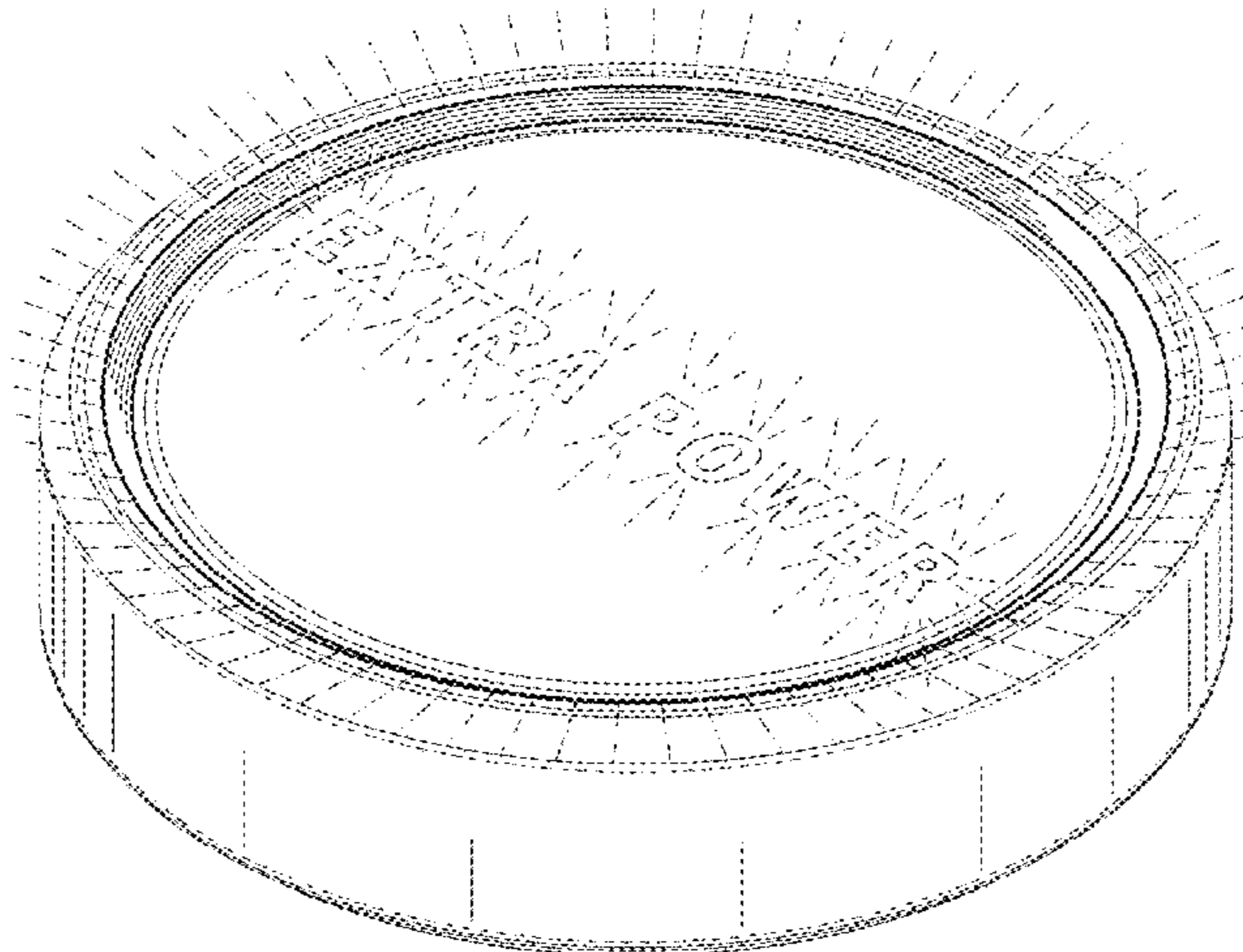
**Related U.S. Application Data**

(62) Division of application No. 29/702,638, filed on Aug. 21, 2019, now Pat. No. Des. 909,316, which is a division of application No. 29/618,656, filed on Sep. 22, 2017, now Pat. No. Des. 863,237.

(51) **LOC (14) Cl.** ..... **13-03**

(52) **U.S. Cl.**  
USPC ..... **D13/174**

(58) **Field of Classification Search**  
USPC ..... D13/158, 171, 174; D8/310; D32/3, 6, D32/25  
CPC ..... H01H 71/58; H01H 13/02; H01H 19/02; H01H 19/025; H01H 19/46; H01H 9/161  
See application file for complete search history.



# US D980,809 S

Page 2

10,022,035	B2	7/2018	Dabade et al.	
10,041,639	B1 *	8/2018	Thompson .....	F21S 8/00
10,090,123	B2	10/2018	Neese et al.	
10,162,436	B2	12/2018	Goss et al.	
D837,168	S	1/2019	Altonen et al.	
D863,237	S	10/2019	Ayers et al.	
D868,009	S *	11/2019	Dimberg .....	D13/174
D909,316	S *	2/2021	Ayers .....	D13/174
D924,820	S *	7/2021	Dimberg .....	D13/174
D935,422	S *	11/2021	Knauss .....	D13/174
2004/0109304	A1 *	6/2004	Yokoyama .....	H01H 19/025 362/23.21
2004/0227408	A1	11/2004	Tran	
2006/0237294	A1	10/2006	Greer	
2007/0057922	A1	3/2007	Schultz et al.	
2007/0084000	A1	4/2007	Bernardino et al.	
2008/0289940	A1	11/2008	Kim et al.	
2010/0000022	A1	1/2010	Hendrickson et al.	
2010/0175971	A1	7/2010	Kim et al.	
2011/0048912	A1	3/2011	Yasuda et al.	
2011/0141161	A1	6/2011	Linke	
2011/0145999	A1	6/2011	Motamedi	
2012/0186951	A1	7/2012	Wu et al.	
2012/0311794	A1	12/2012	Hettinger et al.	
2013/0113465	A1	5/2013	Padilla	
2013/0232700	A1	9/2013	Smith et al.	
2013/0235000	A1	9/2013	Lee et al.	
2013/0242531	A1 *	9/2013	Urayama .....	H01H 19/025 362/23.22
2014/0042002	A1	2/2014	Chu	
2014/0259441	A1	9/2014	Fulmer et al.	
2014/0259442	A1	9/2014	Fulmer et al.	
2014/0259443	A1	9/2014	Fulmer et al.	
2014/0259444	A1	9/2014	Fulmer et al.	
2014/0259445	A1	9/2014	Fulmer et al.	
2014/0259446	A1	9/2014	Ghosh et al.	
2014/0259447	A1	9/2014	Alexander et al.	
2014/0259448	A1	9/2014	Alexander et al.	
2014/0259450	A1	9/2014	Alexander et al.	
2014/0274868	A1	9/2014	Ghosh et al.	
2014/0277751	A1	9/2014	Fulmer et al.	
2015/0128358	A1	5/2015	Wells et al.	
2015/0299929	A1	10/2015	Yang et al.	
2016/0060800	A1	3/2016	Ghosh et al.	
2017/0139490	A1	5/2017	Morandini et al.	
2017/0235383	A1	8/2017	Goss et al.	
2018/0245795	A1	8/2018	Serabatir	
2018/0259188	A1	9/2018	Bach	
2021/0050164	A1 *	2/2021	Altonen .....	H01H 19/025

## FOREIGN PATENT DOCUMENTS

DE	10236935	A1	2/2004
DE	102007024437	A1	11/2008
DE	102008033793	A1	1/2010
DE	102009046785	A1	6/2010
DE	102010063995	A1	6/2012
EP	1995751	A2	11/2008
EP	1332204	B1	12/2008
EP	2140795	A1	1/2010
EP	2298978	A2	3/2011
EP	2304756	A1	4/2011
EP	2508667	A1	10/2012
EP	2639676	A2	9/2013
EP	2933369	A1	10/2015
IN	01349DE2008		12/2009
KR	100675796	B1	2/2007
WO	0234873	A1	5/2002
WO	2010007076	A1	1/2010
WO	11066805	A1	6/2011

WO	2012084627	A1	6/2012
WO	15067965	A1	5/2015
WO	2015101424	A1	7/2015

## OTHER PUBLICATIONS

Lumenpulse, Lumentone Installation Instructions, 2013,1 page.\*  
 Metal Flat Ring Illuminated Blue Led Push Button Self-Locking Switch 16MM By Hexie Electronic Technology Co., Ltd., [https://www.alibaba.com/product-detail/Metal-Flat-Ring-illuminated-Blue-Led\\_60587240876.html](https://www.alibaba.com/product-detail/Metal-Flat-Ring-illuminated-Blue-Led_60587240876.html), Accessed May 10, 2018.  
 Expert Reviews of the 8KG Front Load Electrolux Washing Machine EWF12832—Appliances Online, [https://www.youtube.com/watch?v=\\_AmPrXT2bGI](https://www.youtube.com/watch?v=_AmPrXT2bGI), Accessed May 10, 2018.  
 LED Illuminated Doorbell Button, Bronze, Amber Illumination, <https://www.houzz.com/product/17483071-led-illuminated-doorbell-button-bronze-amber-illumination-modern-doorbells-and-chimes>, Accessed May 10, 2018.  
 European Search Report for EP18179693.9, dated Oct. 4, 2018.

\* cited by examiner

*Primary Examiner* — Selina Sikder

(74) *Attorney, Agent, or Firm* — McGarry Bair PC

(57)

## CLAIM

The ornamental design for a push button knob with illumination capabilities for a laundry treating appliance, as shown and described.

## DESCRIPTION

FIG. 1 is a front perspective view of a push button knob with illumination capabilities for a laundry treating appliance showing our new design with the illuminated region in an illuminated state;  
 FIG. 2 is a front view of the push button knob of FIG. 1;  
 FIG. 3 is a top view of the push button knob of FIG. 1;  
 FIG. 4 is a rear view of the push button knob of FIG. 1;  
 FIG. 5 is a right side view of the push button knob of FIG. 1;  
 FIG. 6 is a left side view of the push button knob of FIG. 1;  
 FIG. 7 is a front perspective view of a push button knob of FIG. 1 wherein the stippled shaded area depicts the region of illumination;  
 FIG. 8 is a front view of the push button knob of FIG. 7;  
 FIG. 9 is a top view of the push button knob of FIG. 7;  
 FIG. 10 is a rear side view of the push button knob of FIG. 7;  
 FIG. 11 is a right side view of the push button knob of FIG. 7;  
 FIG. 12 is a left side view of the push button knob of FIG. 7; and,  
 FIG. 13 is a cross-section of the push button knob taken along line 8-8 in FIG. 8 view.  
 The radiating lines in FIGS. 1-6, indicate illumination only and form no part of the claimed design. The broken lines in the figures illustrate the portions of the design that form no part of the claimed design.

**1 Claim, 7 Drawing Sheets**

Replacement Sheet  
1/7

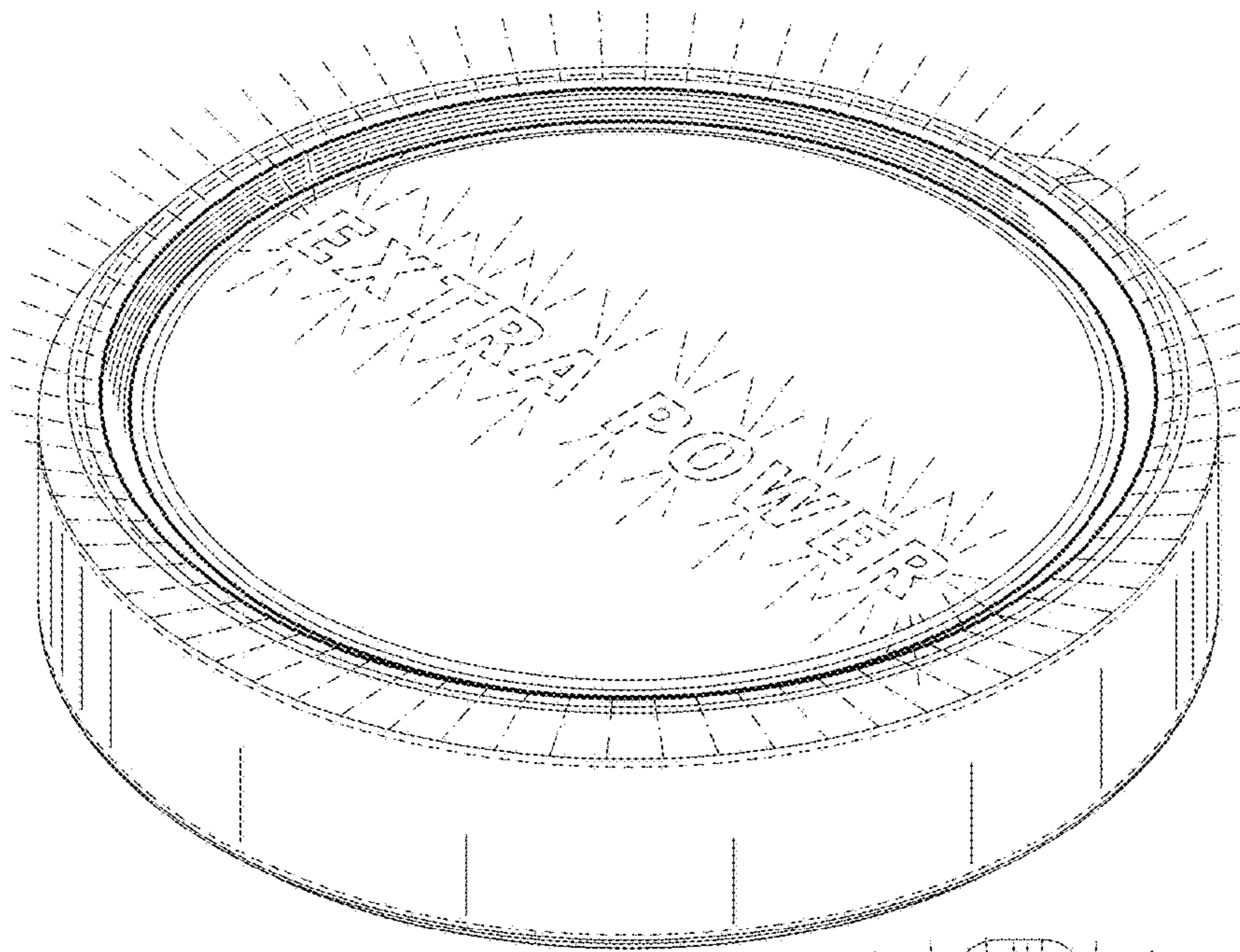


FIG. 1

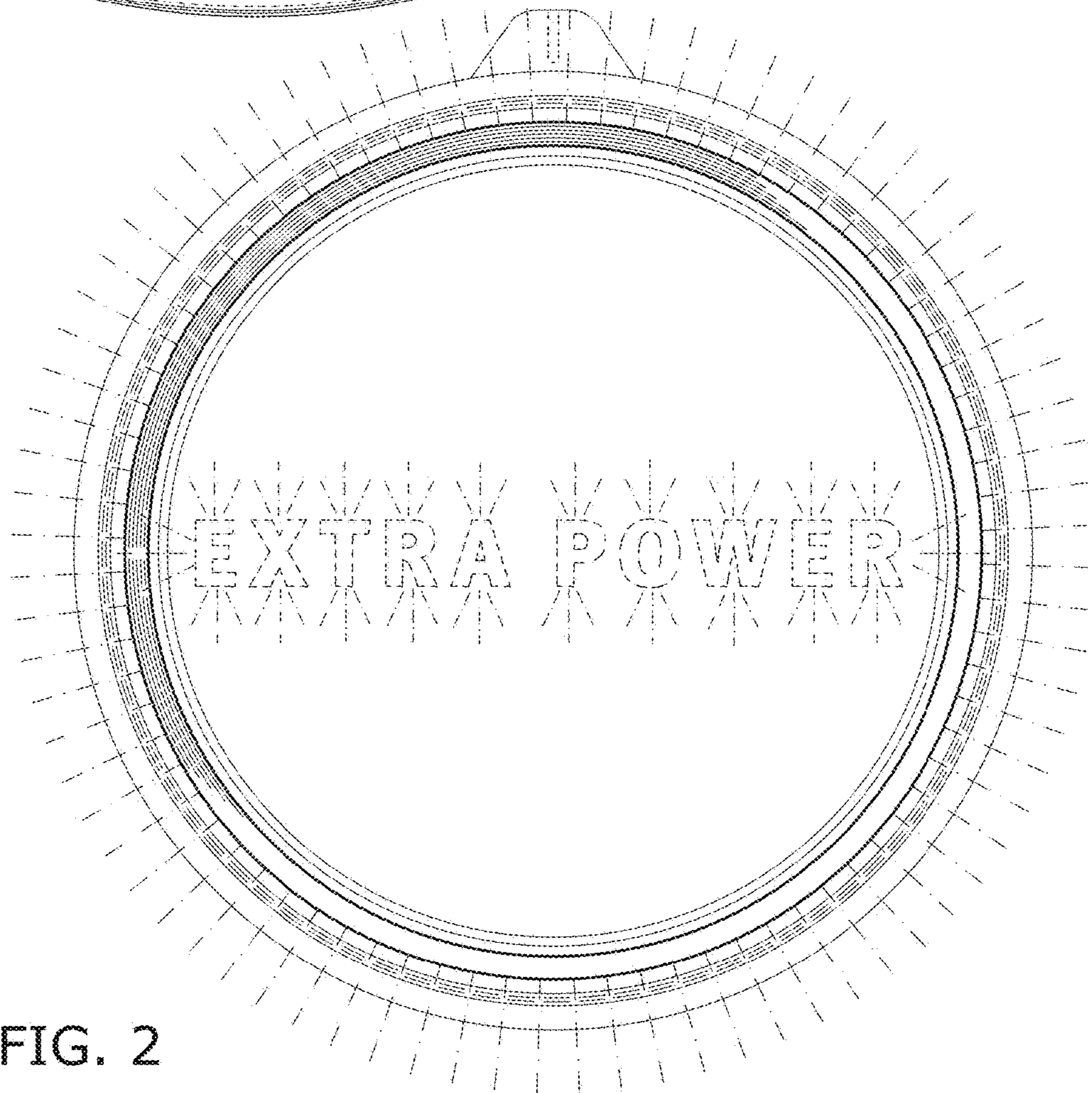


FIG. 2

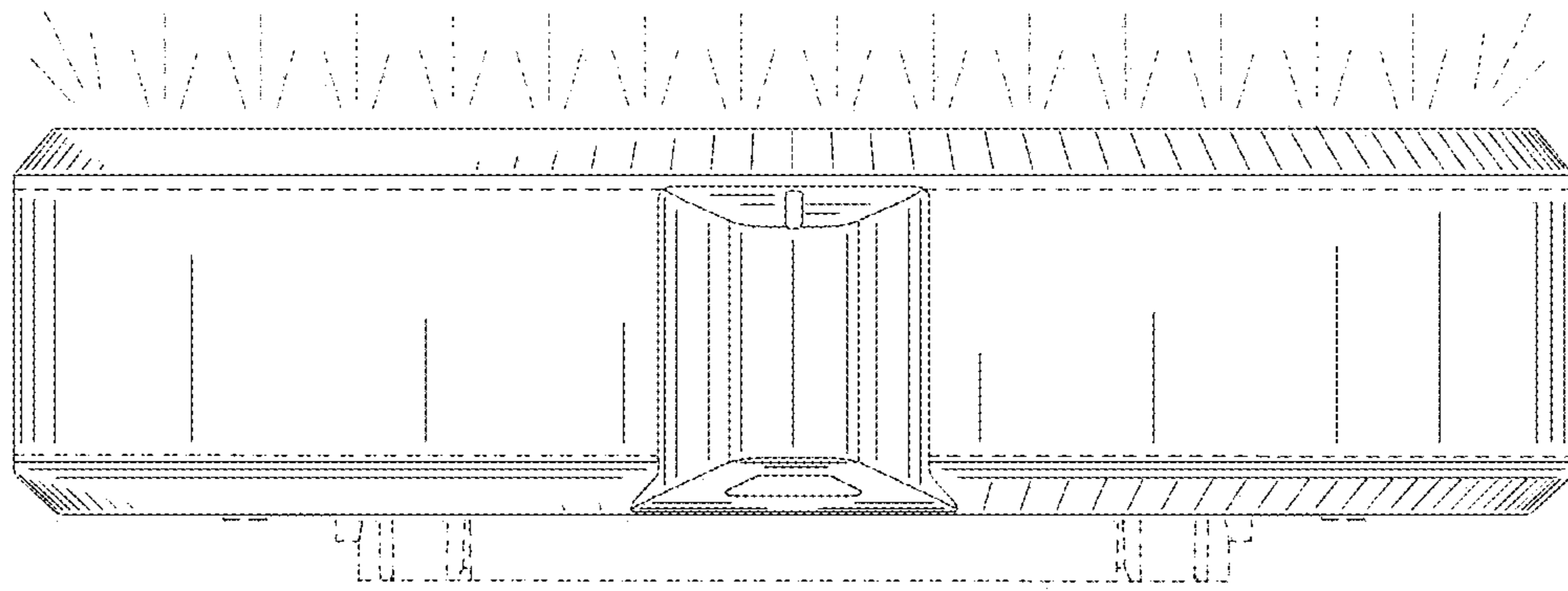


FIG. 3

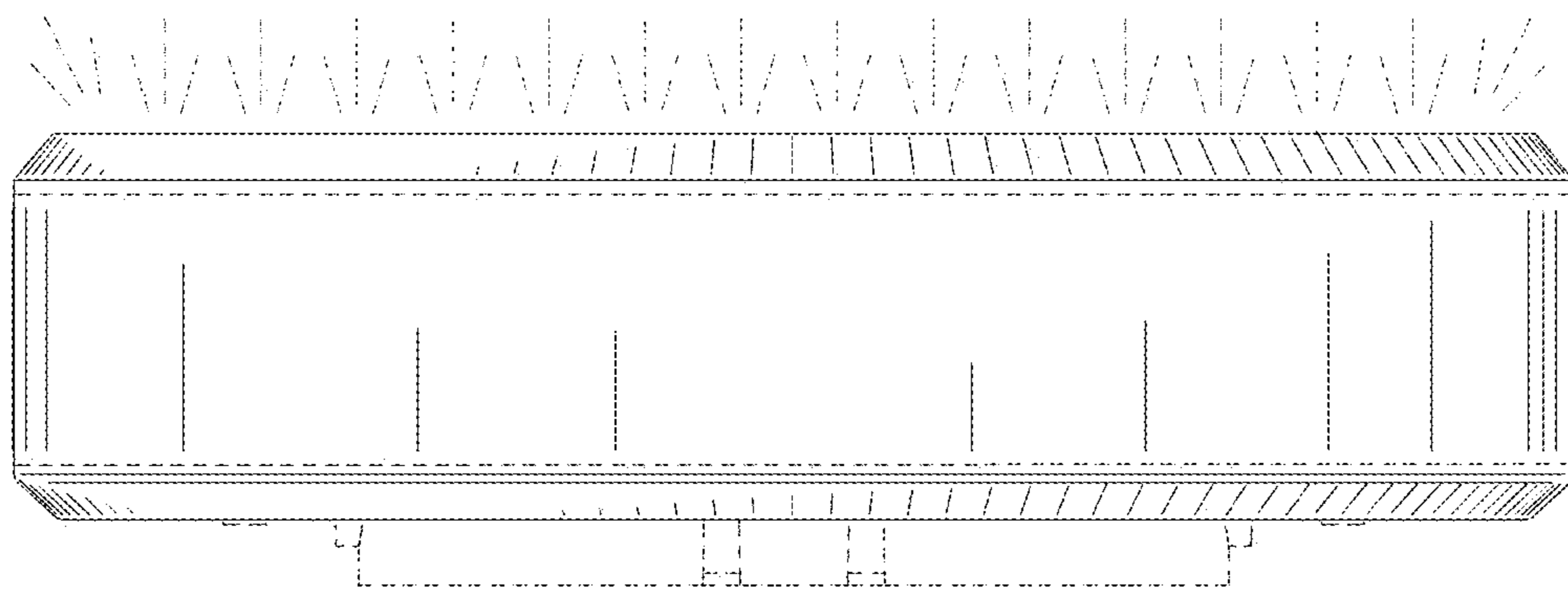


FIG. 4

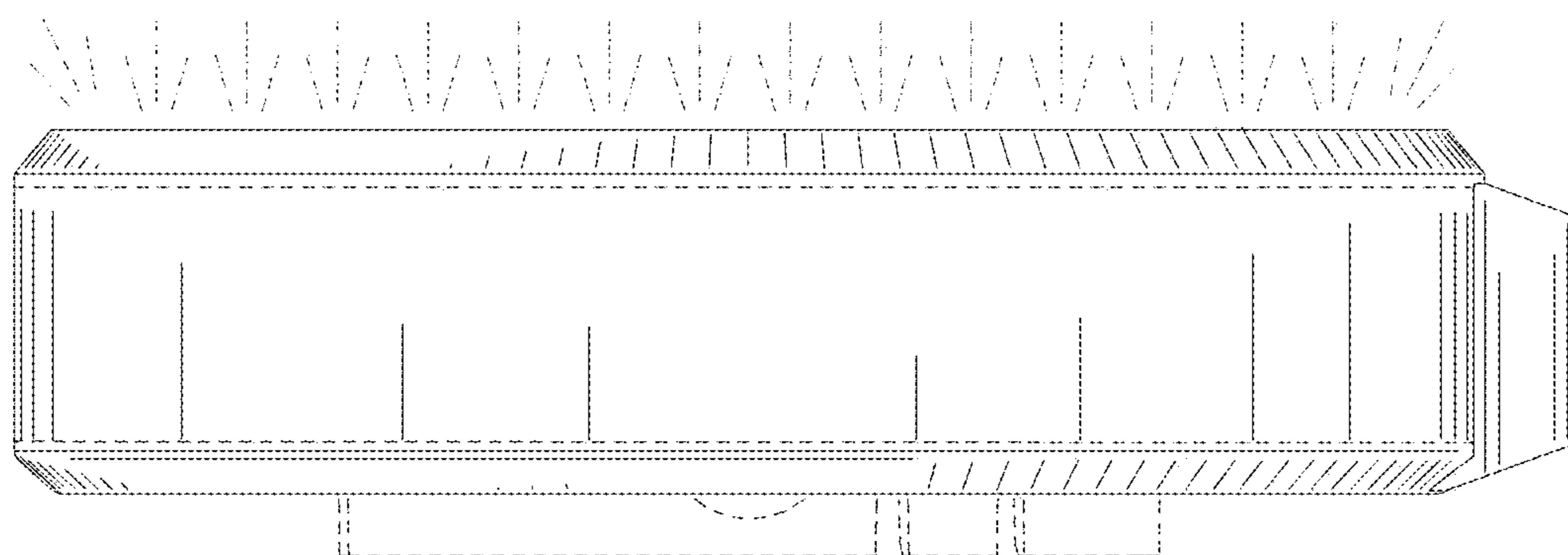


FIG. 5

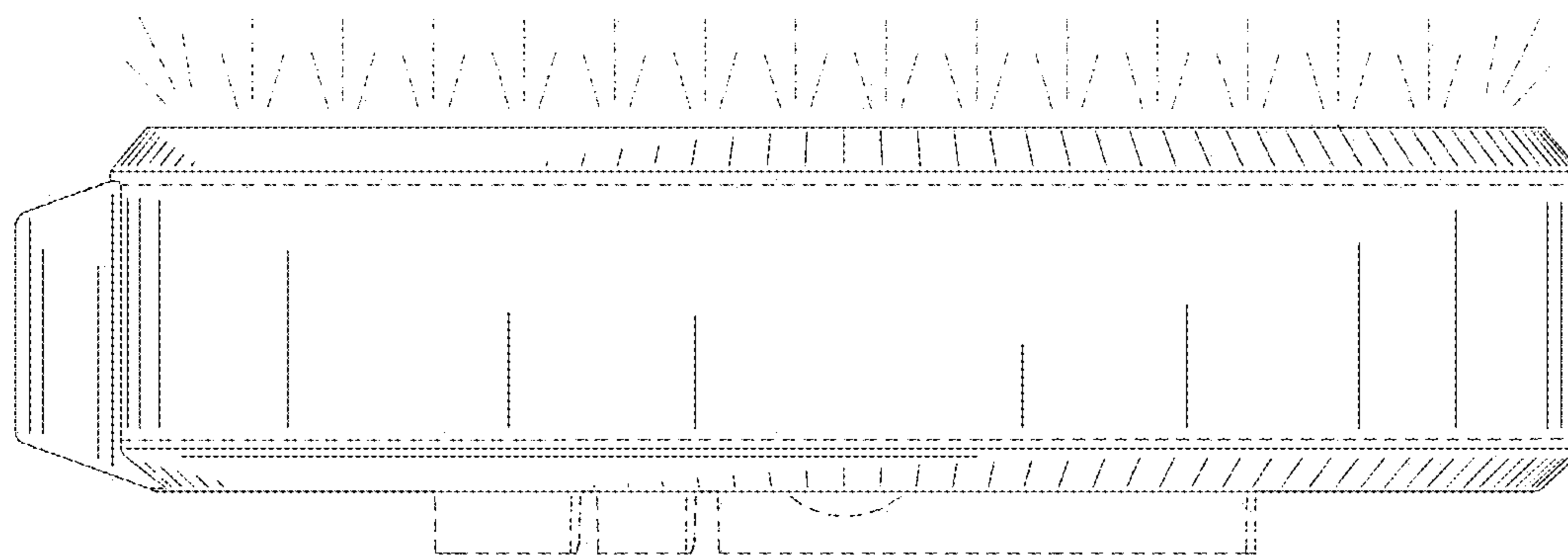


FIG. 6

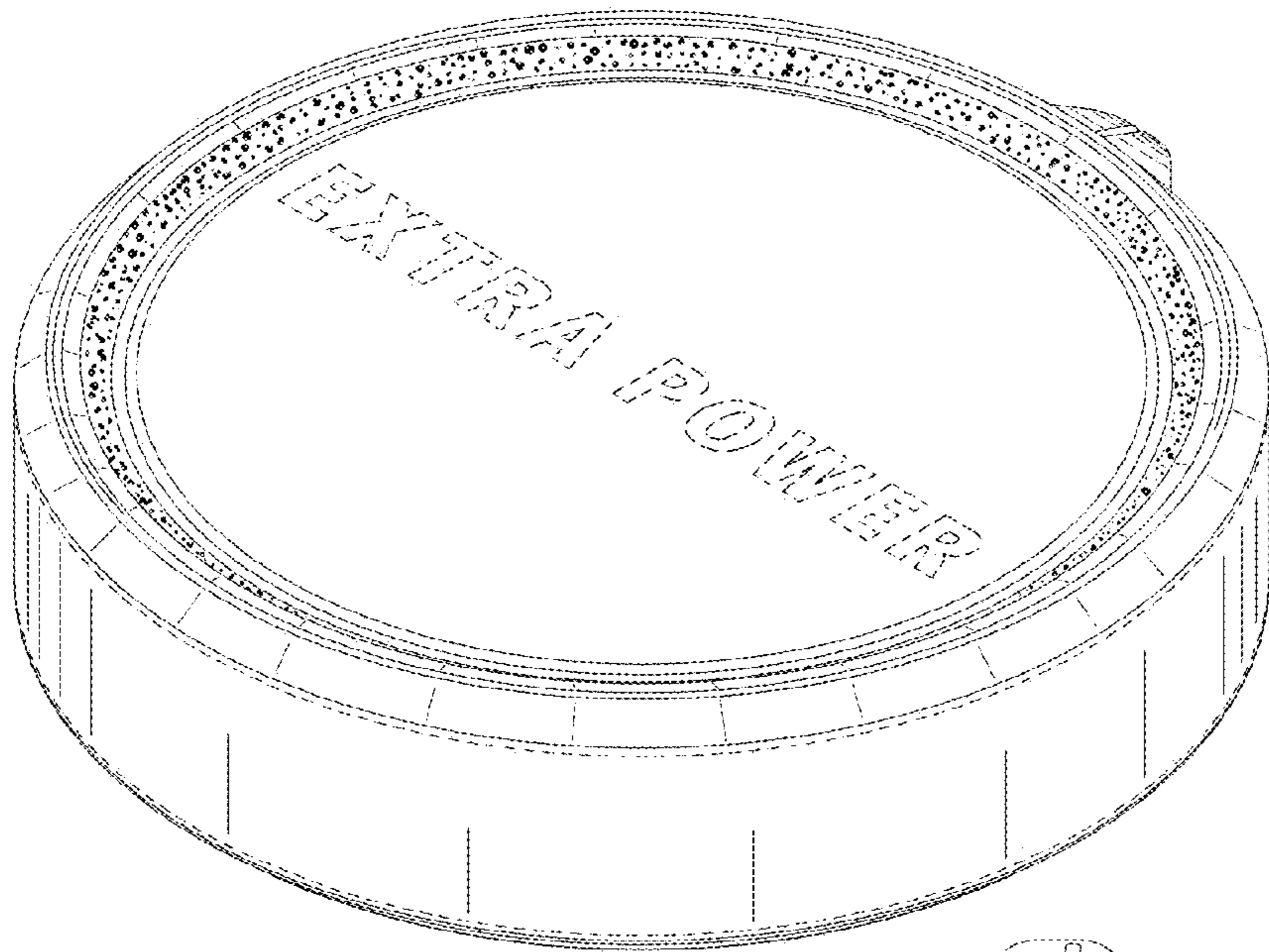


FIG. 7

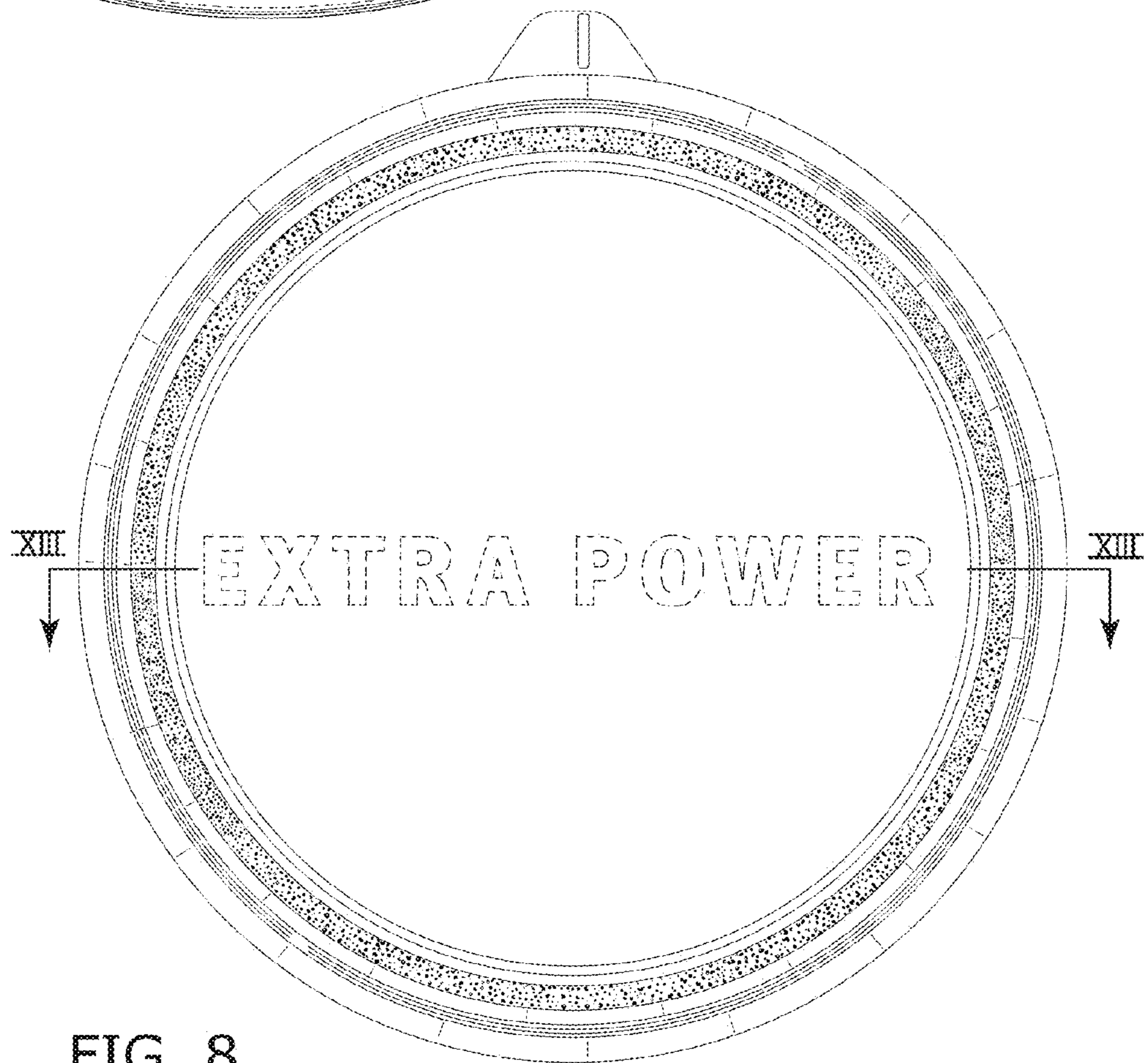


FIG. 8

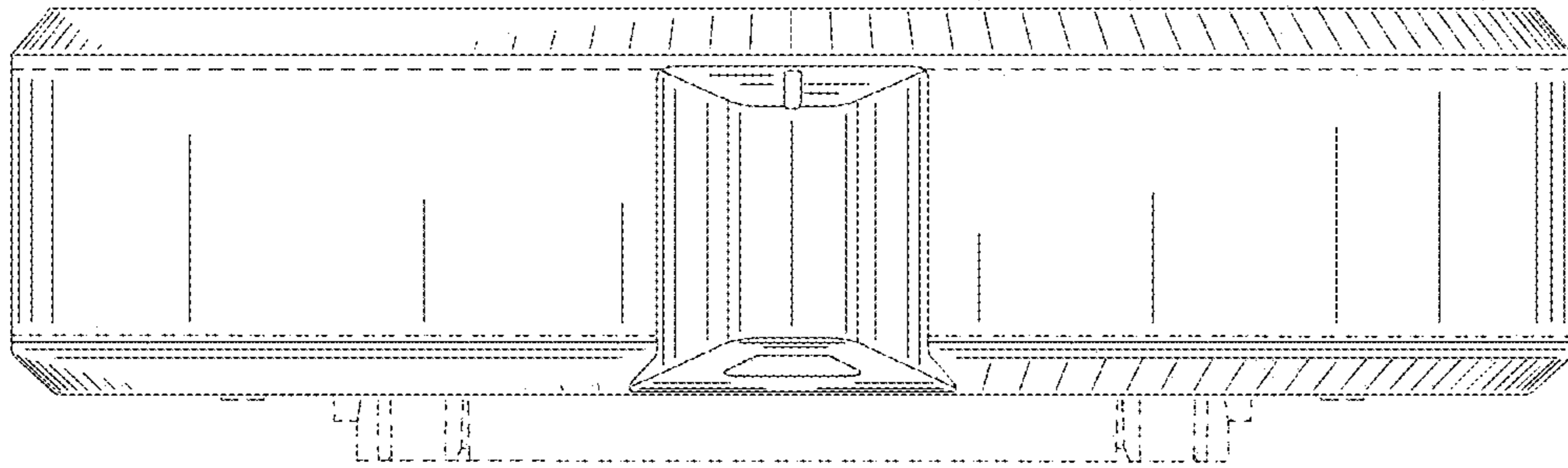


FIG. 9

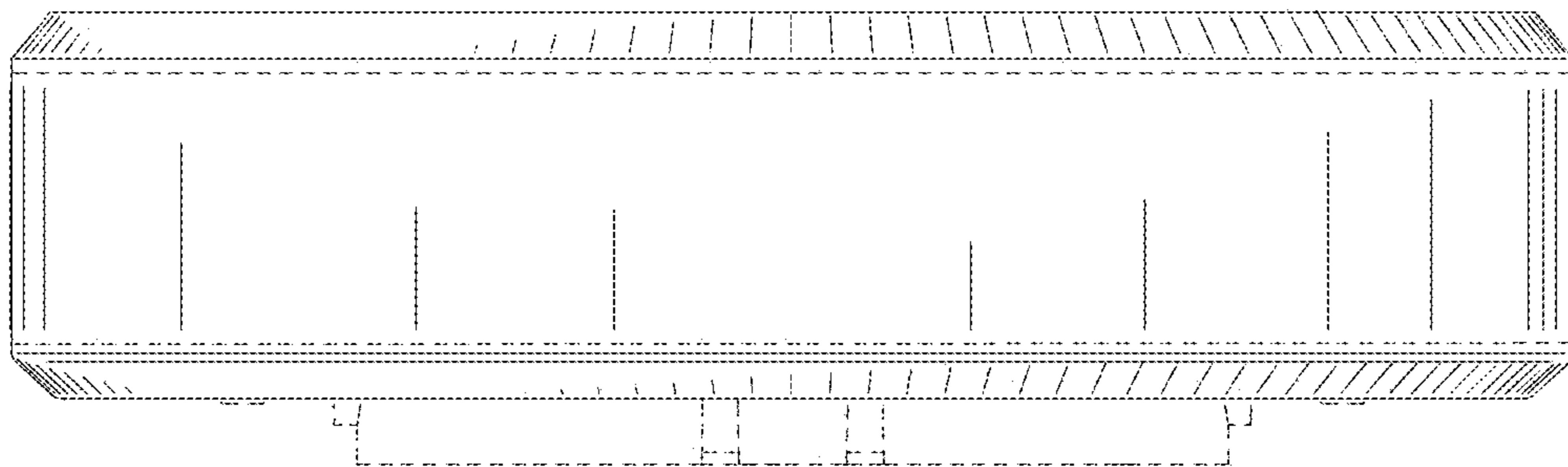


FIG. 10

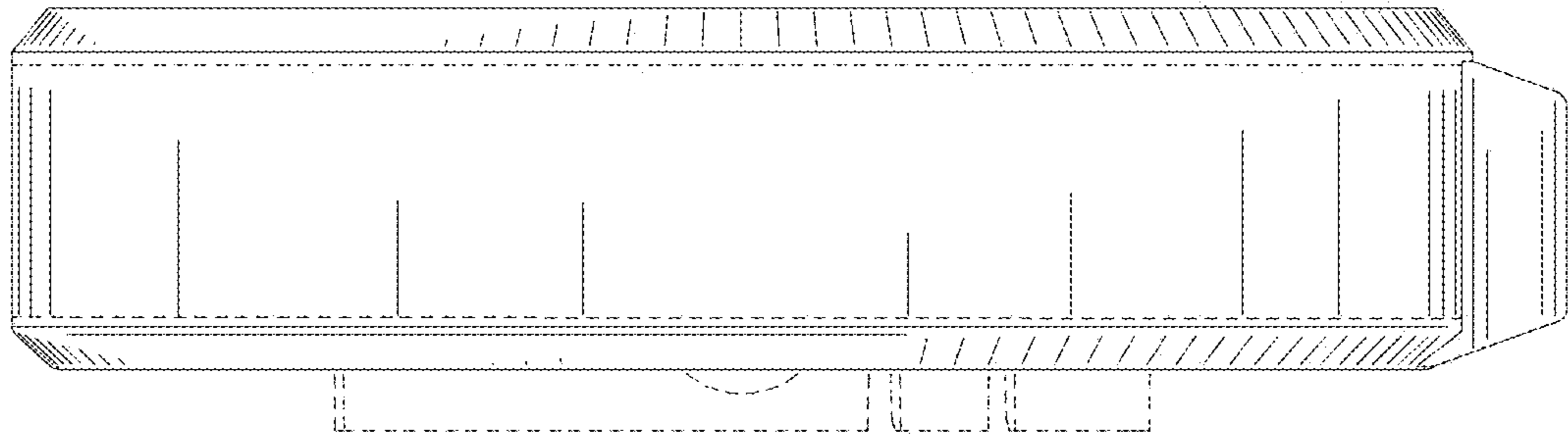


FIG. 11

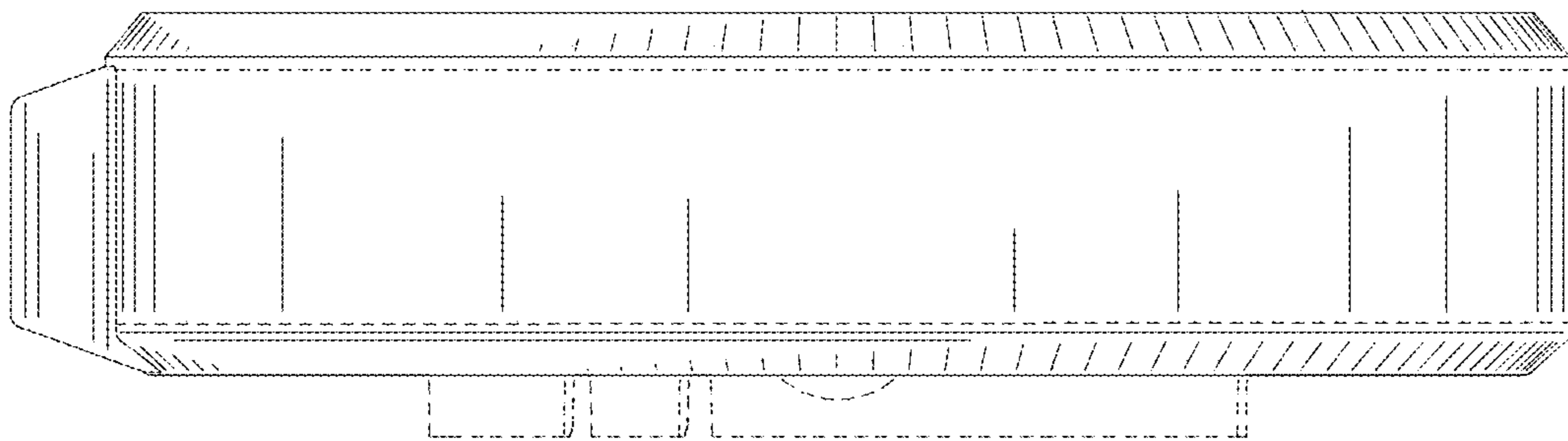


FIG. 12



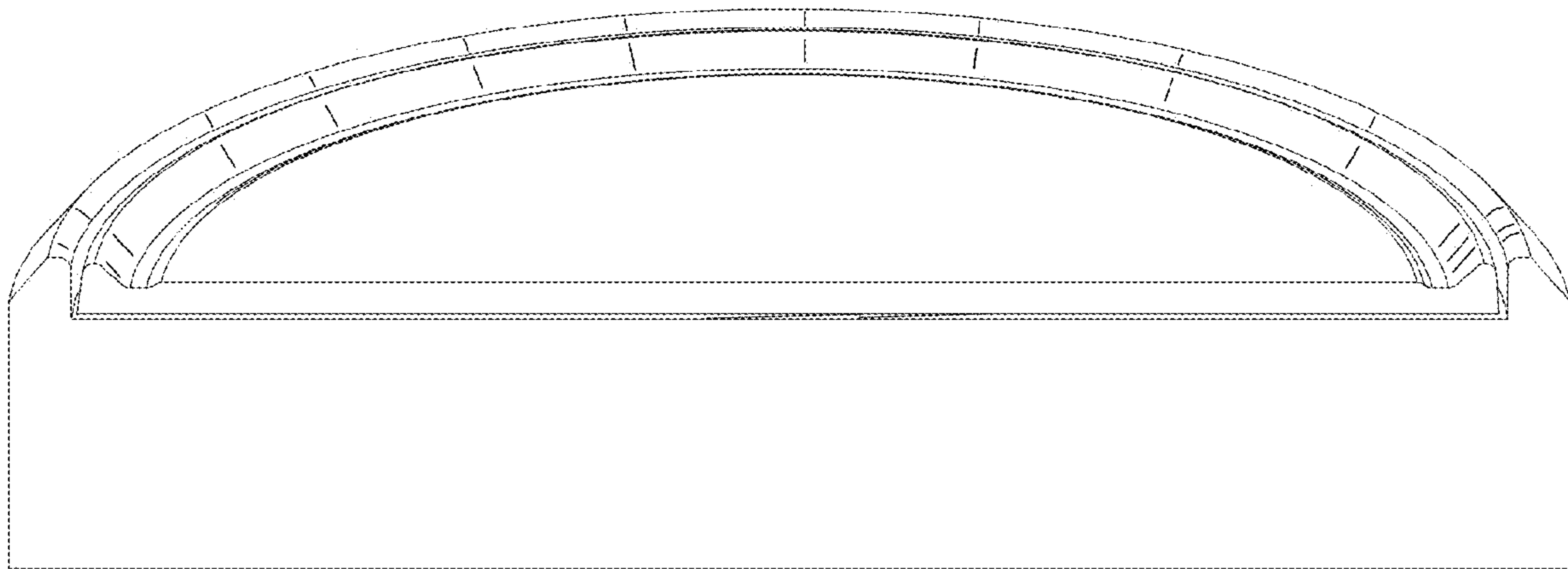


FIG. 13