



US00D980808S

(12) **United States Design Patent**  
**Young et al.**

(10) **Patent No.:** **US D980,808 S**

(45) **Date of Patent:** **\*\* Mar. 14, 2023**

- (54) **HORTICULTURAL LIGHTING CONTROLLER**
- (71) Applicant: **HGCI, Inc.**, Las Vegas, NV (US)
- (72) Inventors: **William Wai-Loong Young**, Vancouver, WA (US); **Jarred Joffe**, Vancouver, WA (US); **Martin Ray Mason, Jr.**, Vancouver, WA (US); **Dengke Cai**, Camas, WA (US); **Lance K. Melnichenko**, Vancouver, WA (US)
- (73) Assignee: **HGCI, Inc.**, Las Vegas, NV (US)
- (\*\*) Term: **15 Years**
- (21) Appl. No.: **29/795,651**
- (22) Filed: **Jun. 19, 2021**
- (51) **LOC (14) Cl.** ..... **13-03**
- (52) **U.S. Cl.**  
USPC ..... **D13/173; D8/353; D14/447**
- (58) **Field of Classification Search**  
USPC ..... **D13/156, 162, 164, 173, 177; D8/349, D8/350, 353, 354; D26/138; D14/217, D14/224, 229, 238, 251, 447**  
CPC ..... **H01H 9/02; H01H 9/287; H01H 83/04; H02G 3/04; H02G 3/12; H02G 3/14; H02G 3/121; H02G 3/123; H05K 5/0017; H05K 5/0204; H05K 5/14**  
See application file for complete search history.

- (56) **References Cited**  
U.S. PATENT DOCUMENTS  
D277,001 S \* 1/1985 McGarvey ..... D14/392  
D336,635 S \* 6/1993 Johnston, Jr. .... D13/173  
D603,350 S \* 11/2009 Melzner ..... D13/164  
D605,496 S \* 12/2009 Scheuermann ..... D8/349  
D669,076 S \* 10/2012 Haller ..... D14/374  
D680,501 S \* 4/2013 Elliott ..... H05K 5/0247  
D13/162  
D690,661 S \* 10/2013 Wisniewski ..... D13/162

- 8,710,728 B2 \* 4/2014 Ozolins ..... G06F 1/1601  
220/2.1 R
- 8,772,649 B1 \* 7/2014 Gretz ..... H02G 3/123  
174/53
- D727,271 S \* 4/2015 Shi ..... D13/162
- D729,793 S \* 5/2015 Hickok ..... D14/371
- 9,416,988 B2 \* 8/2016 Khoury ..... F24F 11/30
- 9,478,960 B2 \* 10/2016 Chiang ..... H05K 5/0204
- D794,646 S \* 8/2017 Pelster ..... D14/447
- D813,241 S \* 3/2018 Wengreen ..... D14/496
- 9,940,884 B1 \* 4/2018 Musolin ..... G09G 3/3607
- 10,066,848 B1 \* 9/2018 Lorenz ..... F24F 11/30
- D852,650 S \* 7/2019 Zakharov ..... D10/49
- D854,429 S \* 7/2019 Gentle ..... D10/50
- D861,177 S \* 9/2019 Kim ..... D24/186
- D871,351 S \* 12/2019 Lee ..... D13/156
- D871,490 S \* 12/2019 Wengreen ..... D16/242
- D894,021 S \* 8/2020 Smith ..... D10/50

(Continued)

*Primary Examiner* — Selina Sikder  
(74) *Attorney, Agent, or Firm* — Ulmer & Berne LLP

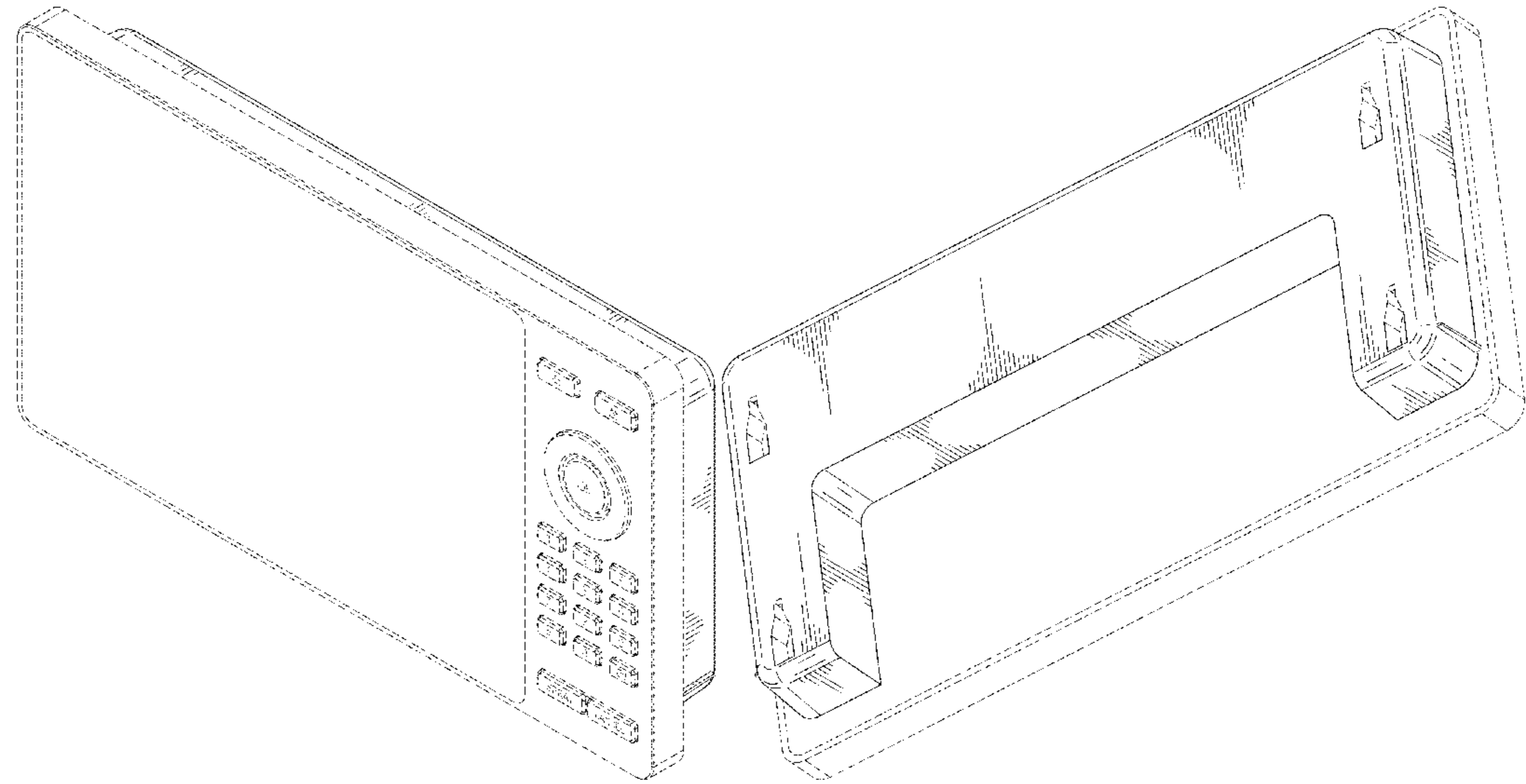
(57) **CLAIM**

The ornamental design for a horticultural lighting controller, as shown and described.

**DESCRIPTION**

FIG. 1 is a front perspective view the horticultural lighting controller, showing our new design;  
FIG. 2 is a front view thereof;  
FIG. 3 is a rear view thereof;  
FIG. 4 is a right side view thereof;  
FIG. 5 is a left side view thereof;  
FIG. 6 is a top view thereof;  
FIG. 7 is a bottom view thereof; and,  
FIG. 8 is a rear perspective view thereof.  
The broken lines in the figures illustrate portions of the horticultural lighting controller that form no part of the claimed design.

**1 Claim, 6 Drawing Sheets**



(56)

References Cited

U.S. PATENT DOCUMENTS

D894,716 S *	9/2020	Gutierrez .....	D8/353	2015/0250315 A1*	9/2015	Gross .....	F16M 11/10 361/679.01
D894,844 S *	9/2020	Boynton .....	D13/162	2015/0280410 A1*	10/2015	Elberbaum .....	G05B 15/02 361/679.01
10,779,419 B2*	9/2020	Giorio .....	H05K 5/0204	2015/0305108 A1*	10/2015	Probasco .....	H05B 45/20 47/58.1 LS
D900,041 S *	10/2020	Sakamoto .....	D13/164	2015/0359337 A1*	12/2015	Bliven .....	F16M 13/02 361/679.01
10,808,963 B2*	10/2020	Spors .....	F24F 13/20	2016/0014910 A1*	1/2016	Campagna .....	H05K 7/20136 361/679.01
D903,471 S *	12/2020	Deckelman .....	D8/354	2016/0219794 A1*	8/2016	Greenberg .....	H05B 47/105
D907,586 S *	1/2021	Lombardi .....	D13/162	2018/0014374 A1*	1/2018	Rhodes .....	H05B 47/19
D907,643 S *	1/2021	Wengreen .....	D14/447	2019/0011952 A1*	1/2019	Galipeau .....	F16M 13/022
11,107,390 B2*	8/2021	Taylor, Jr. ....	H05B 45/20	2019/0223303 A1*	7/2019	Chang .....	F16M 11/22
D931,281 S *	9/2021	Turk .....	D13/164	2019/0341760 A1*	11/2019	Okura .....	H02G 15/10
D935,333 S *	11/2021	Bai .....	D10/53	2020/0018514 A1*	1/2020	Howe .....	H05K 5/0017
D961,589 S *	8/2022	Sun .....	D14/374	2020/0186380 A1*	6/2020	Bonnin Pons-Estel .....	G05B 15/02
2007/0018062 A1*	1/2007	Calinescu .....	F16M 11/10 248/220.21	2021/0372645 A1*	12/2021	Harder .....	F24F 11/52
2008/0179087 A1*	7/2008	De Ambroggi .....	H02G 3/14 174/559				
2015/0201509 A1*	7/2015	Le .....	G02F 1/0105 362/97.1				

\* cited by examiner

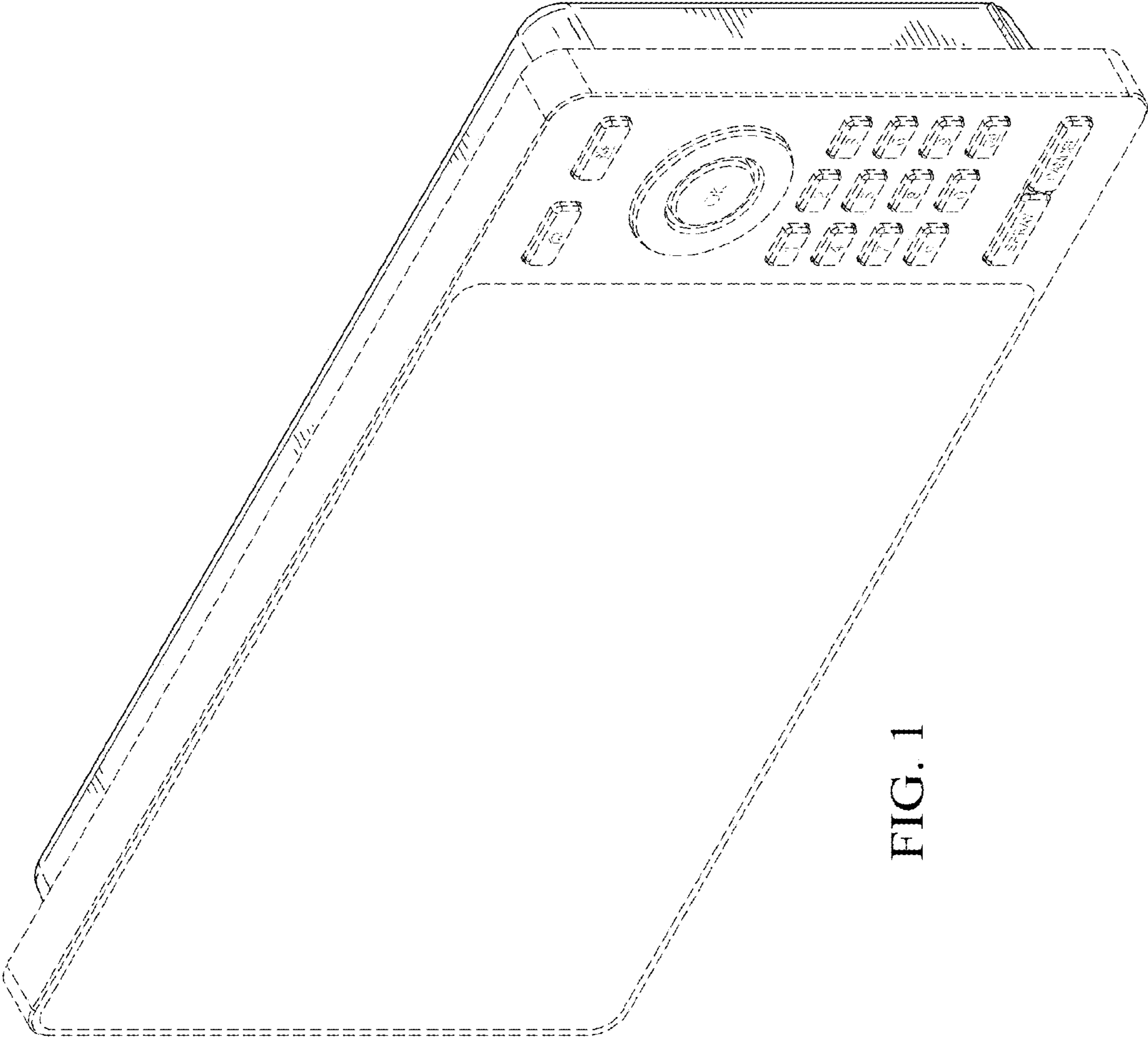


FIG. 1

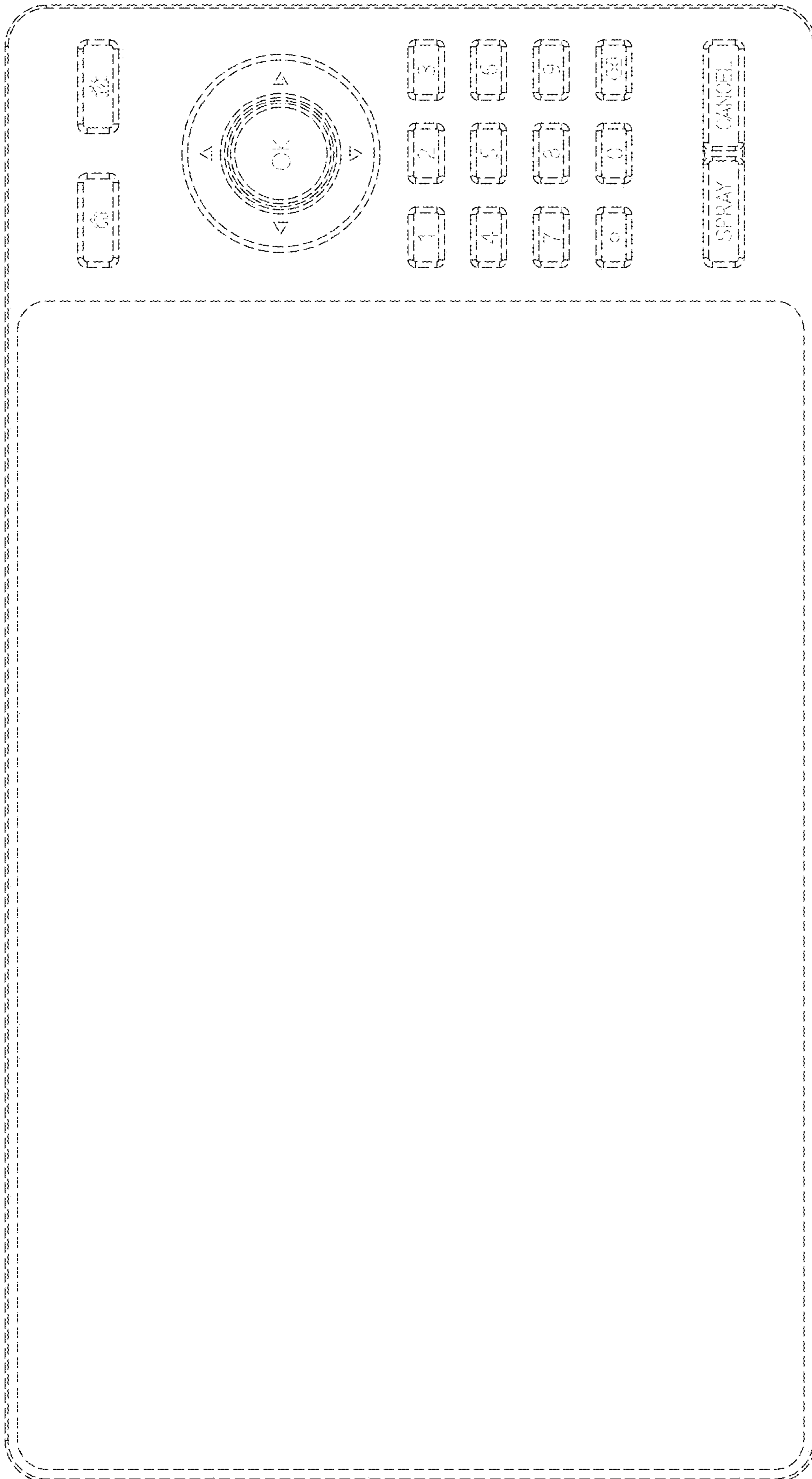


FIG. 2

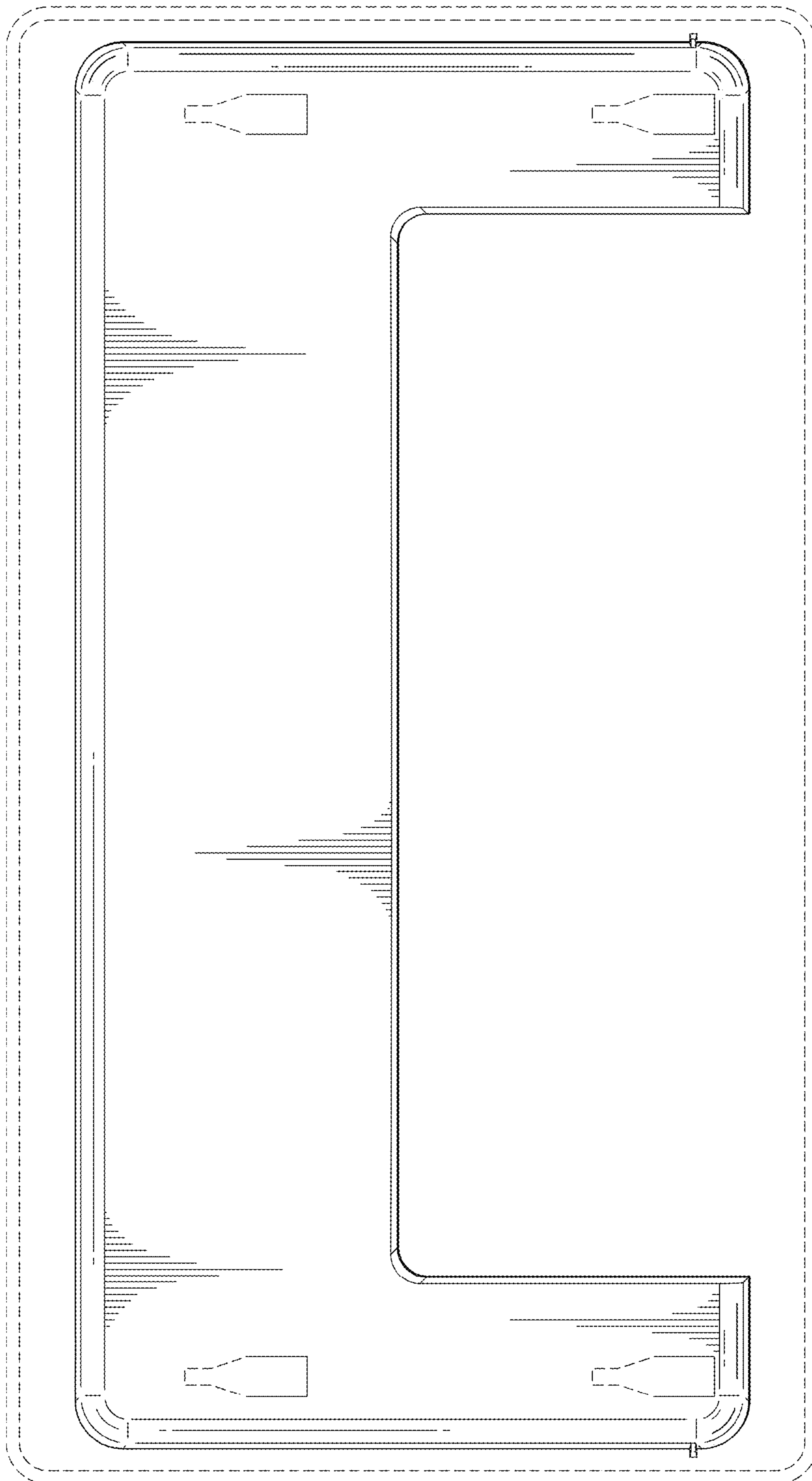


FIG. 3

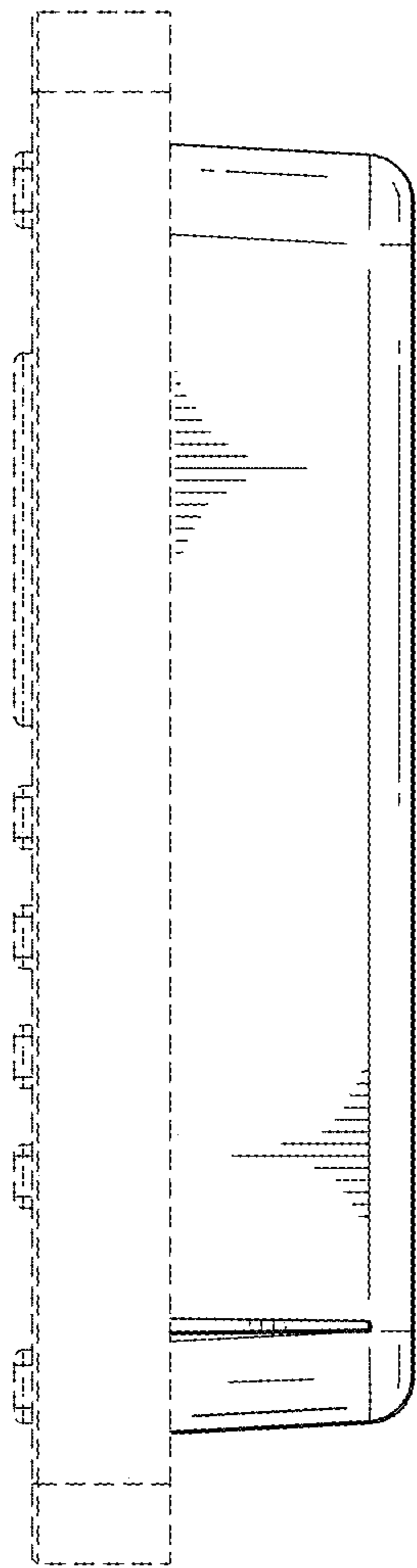


FIG. 4

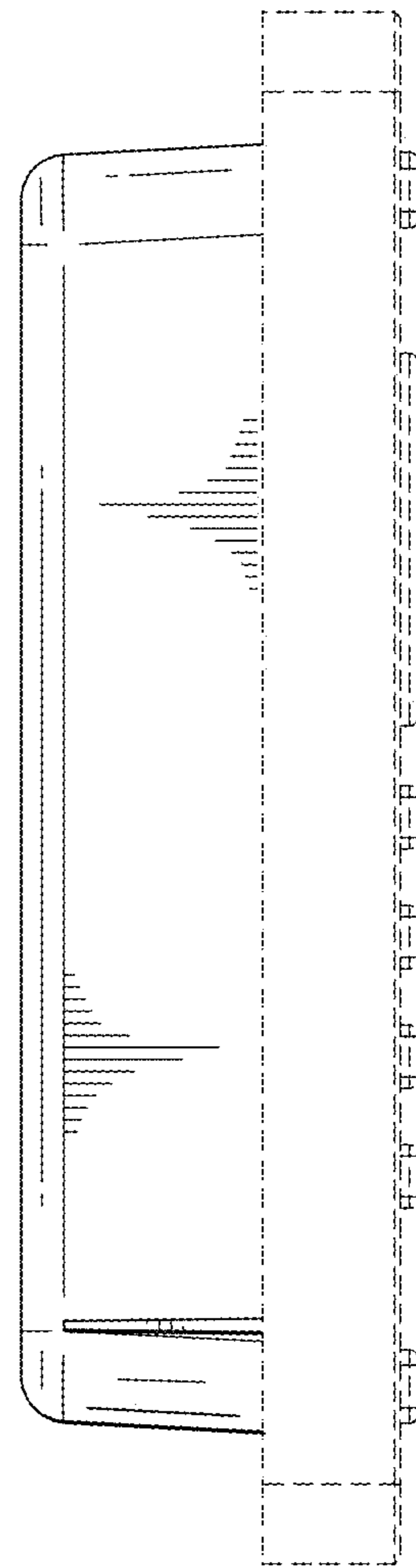


FIG. 5

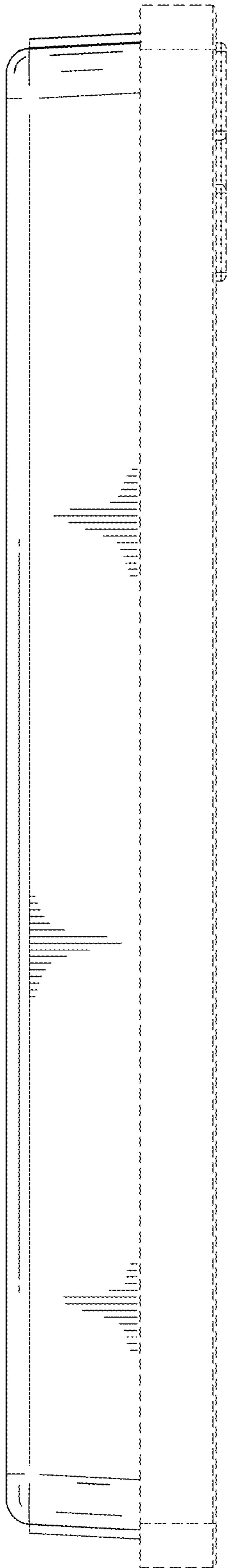


FIG. 6

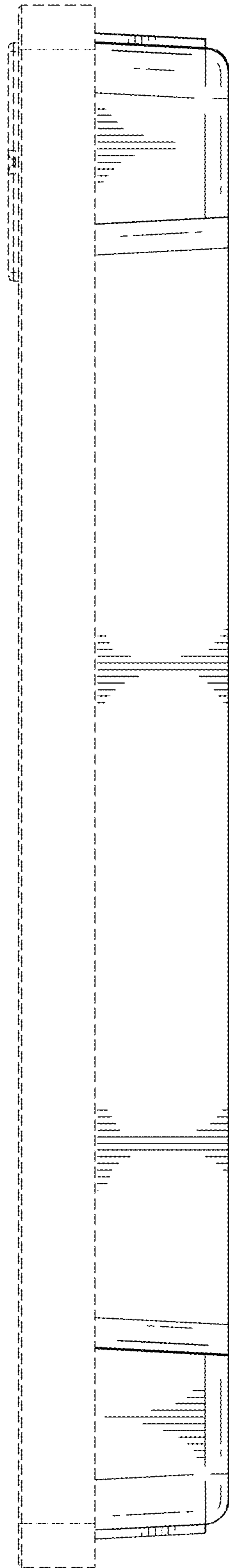


FIG. 7

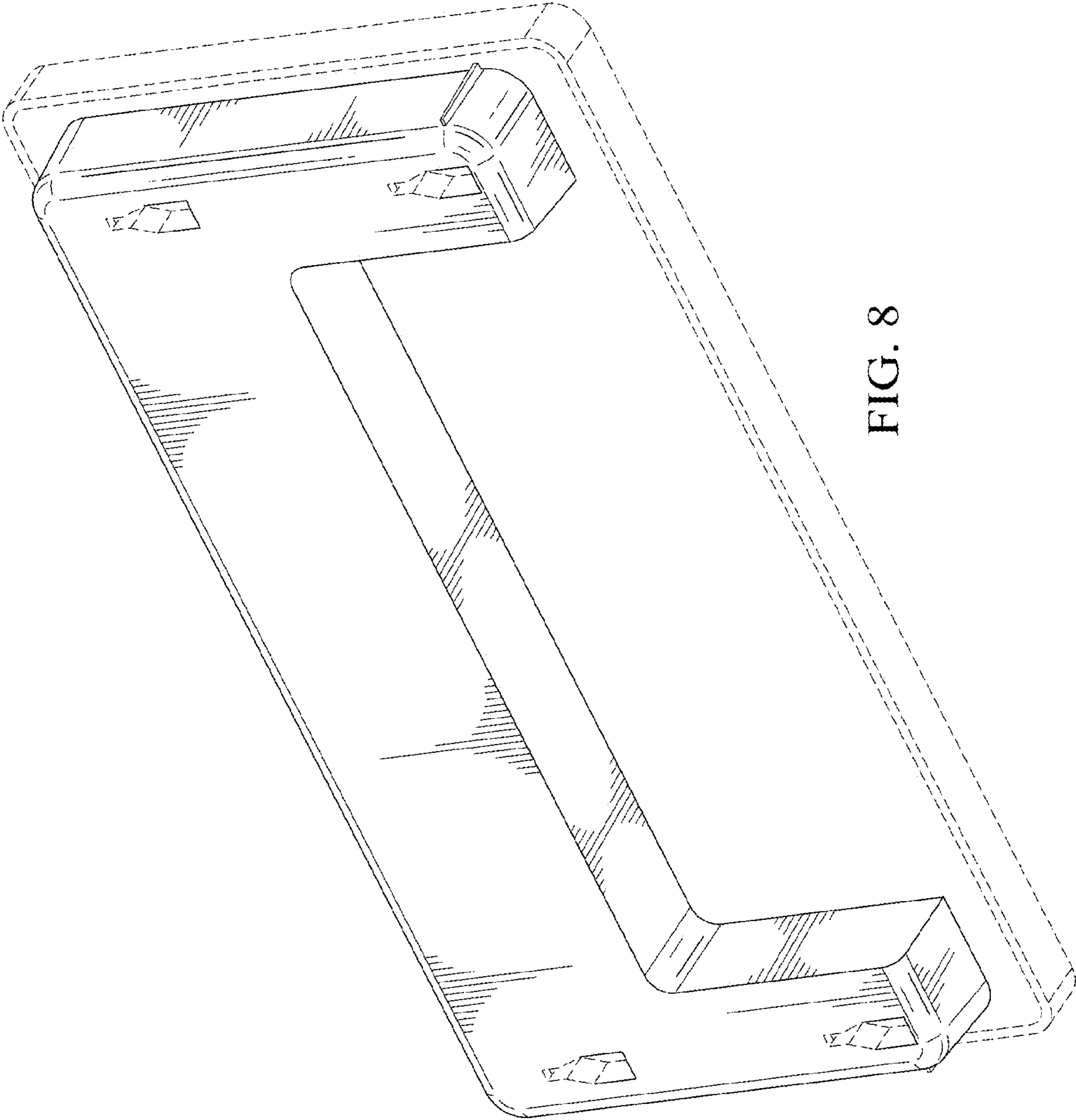


FIG. 8