



US00D980807S

(12) **United States Design Patent**
Huang

(10) **Patent No.:** **US D980,807 S**
(45) **Date of Patent:** **** Mar. 14, 2023**

- (54) **CONTROLLER FOR ELECTRIC BLANKET**
- (71) Applicant: **Guangdong Laijun Electronic Technology Co., Ltd., Dongguan (CN)**
- (72) Inventor: **Wanglai Huang, Dongguan (CN)**
- (73) Assignee: **GUANGDONG LAIJUN ELECTRONIC TECHNOLOGY CO., LTD, Dongguan (CN)**

D739,851 S *	9/2015	Donohue, II	D14/223
D740,286 S *	10/2015	Templeton	D14/385
D755,132 S *	5/2016	Kashimoto	D13/168
D763,205 S *	8/2016	Kashimoto	D13/168
D766,218 S *	9/2016	Yang	D14/218
D778,185 S *	2/2017	Ookawa	D10/104.1
D800,820 S *	10/2017	Bergman	D16/237
D842,819 S *	3/2019	Maetani	D13/168
D858,323 S *	9/2019	Gatti	D13/162
D879,634 S *	3/2020	Karbing	D13/162
D881,827 S *	4/2020	Chouji	D10/50
D937,228 S *	11/2021	Ye	D14/218
D942,408 S *	2/2022	Dharmadas	D14/188

(**) Term: **15 Years**

(Continued)

(21) Appl. No.: **29/794,913**

(22) Filed: **Jun. 16, 2021**

(51) **LOC (14) Cl.** **14-03**

(52) **U.S. Cl.**
USPC **D13/168**

(58) **Field of Classification Search**
USPC D13/162, 168; D14/218, 240, 358
CPC G08C 17/02; G08C 19/00; G08C 19/12;
G08C 19/28; G08C 23/04; H04B 1/202;
H05B 47/10; H05B 47/19; H03J 9/00;
H03J 9/02; H03J 9/04; H03J 9/06; H03J
1/0025; H01H 9/0235; F21S 4/00; F21S
4/10; F21S 4/28

See application file for complete search history.

(56) **References Cited**

U.S. PATENT DOCUMENTS

D346,805 S *	5/1994	Kim	D14/240
D433,388 S *	11/2000	Picozza	D13/168
D435,834 S *	1/2001	Picozza	D13/168
D437,298 S *	2/2001	Picozza	D13/168
D460,053 S *	7/2002	Choi	D13/168
D546,295 S *	7/2007	Marchetto	D13/168
D548,196 S *	8/2007	Bonnaud	D13/168
D609,701 S *	2/2010	Hou	D14/240
D686,195 S *	7/2013	Hong	D14/218
D731,469 S *	6/2015	Turksu	D14/218
D739,849 S *	9/2015	Donohue, II	D14/221

OTHER PUBLICATIONS

Amazon.com;Sunbeam Soft Quilted Fleece Electric Heated Warm-
ing Blanket; May 7, 2010; 2 pgs.*

(Continued)

Primary Examiner — Selina Sikder

(74) *Attorney, Agent, or Firm* — Leong C. Lei

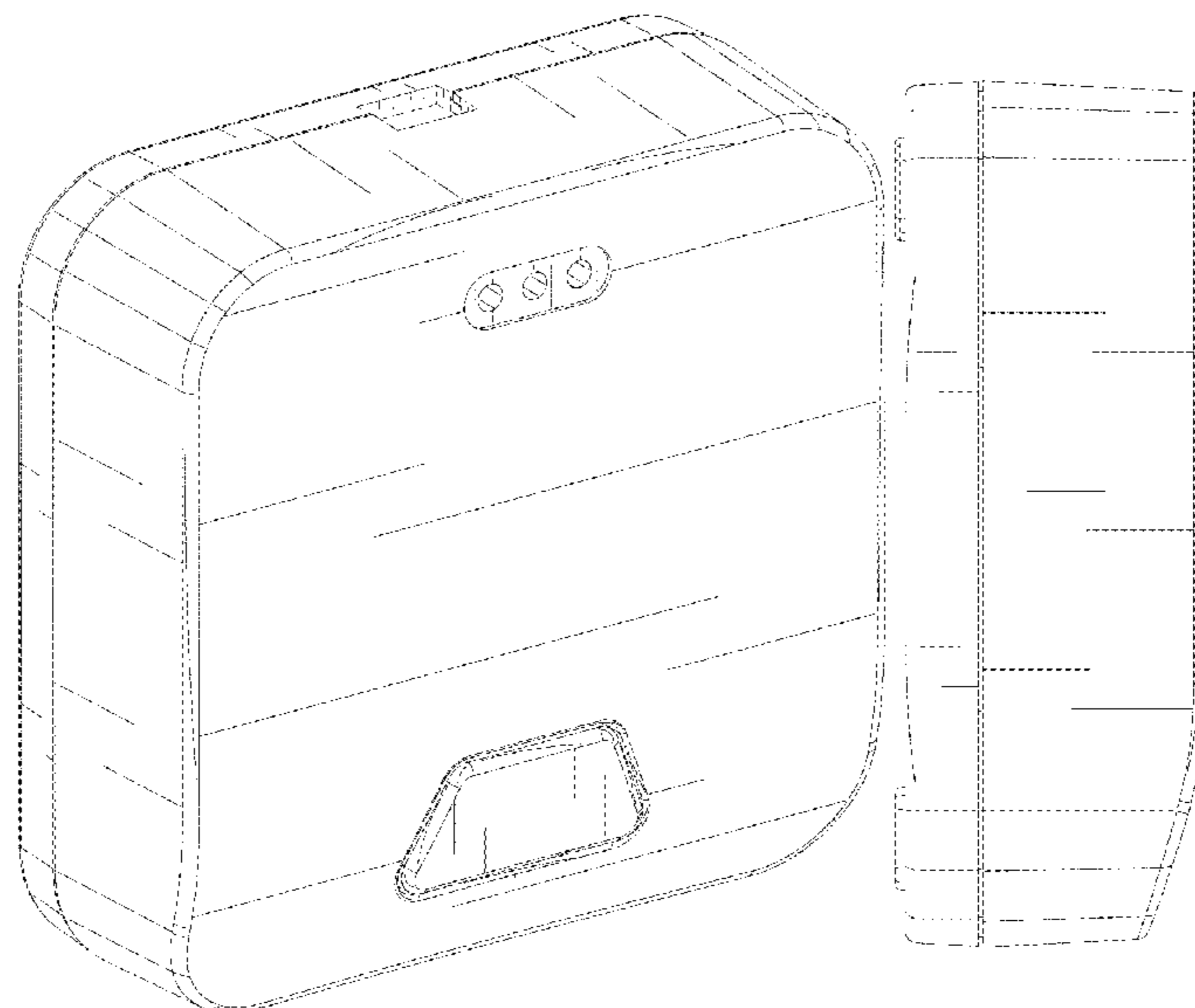
(57) **CLAIM**

The ornamental design for a controller for electric blanket,
as shown and described.

DESCRIPTION

FIG. 1 is a perspective view of a controller for electric
blanket showing my present design;
FIG. 2 is a front view thereof;
FIG. 3 is a rear view thereof;
FIG. 4 is a left side view thereof;
FIG. 5 a right side view thereof;
FIG. 6 is a top view thereof; and,
FIG. 7 is a bottom view thereof.
The broken lines in the drawings illustrate portions of a
controller for electric blanket which form no part of the
claimed design.

1 Claim, 7 Drawing Sheets



(56)

References Cited

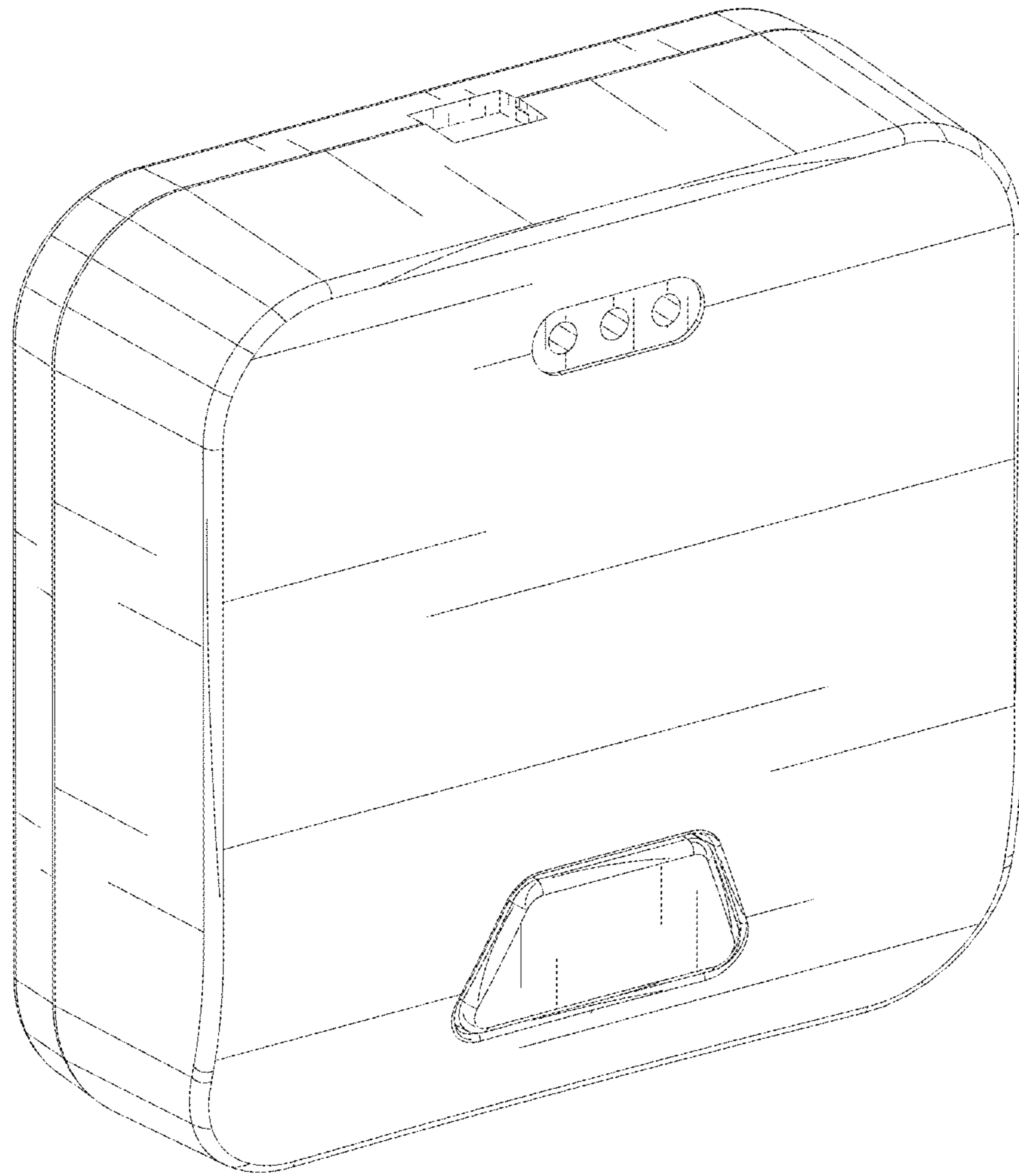
U.S. PATENT DOCUMENTS

D947,793 S * 4/2022 Huang D13/168
D953,304 S * 5/2022 Huang D14/225

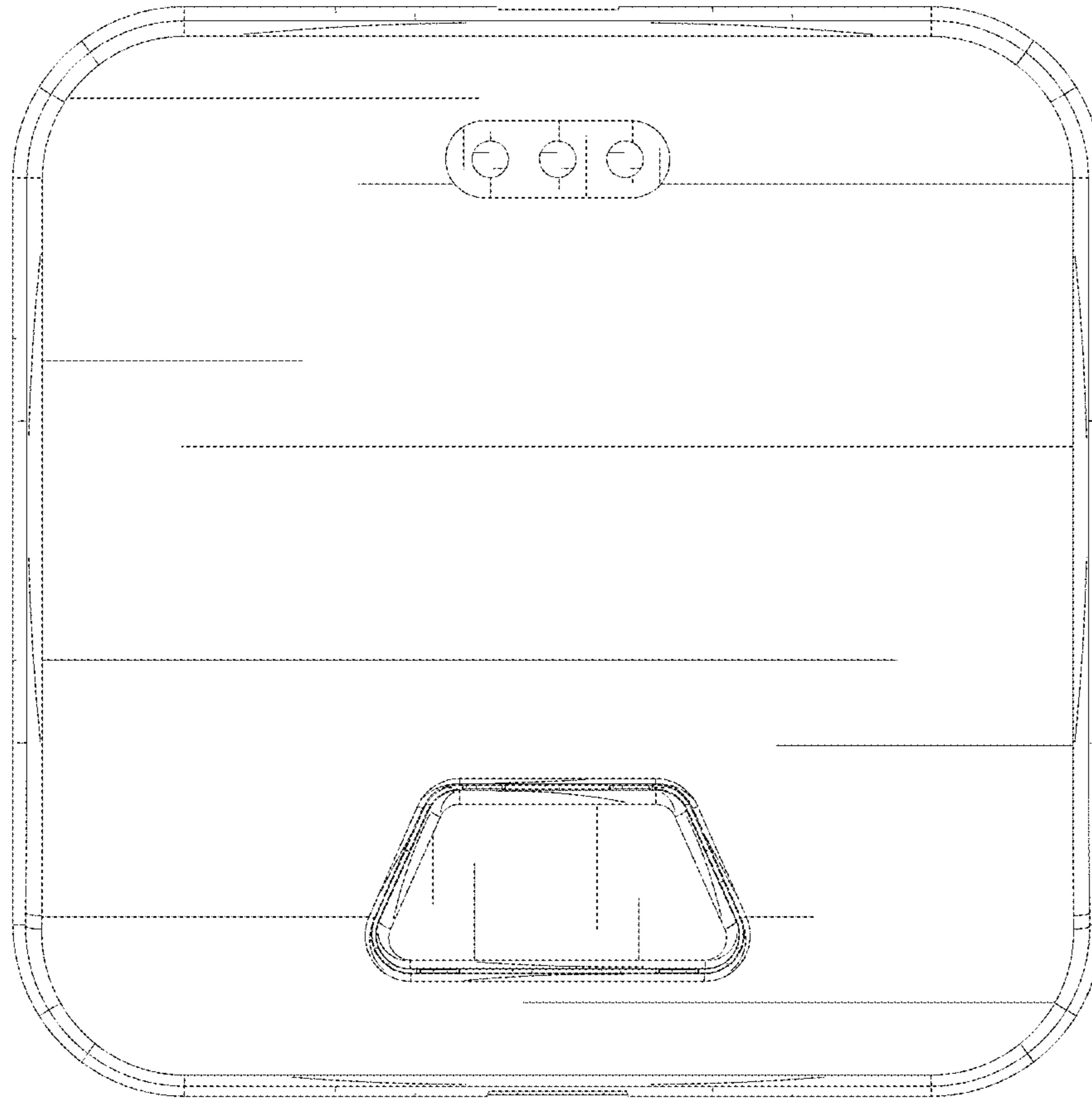
OTHER PUBLICATIONS

Amazon.com;Sealy Electric Blanket Queen Size, Flannel Heated
Blanket; Apr. 28, 2022; 2 pgs.*

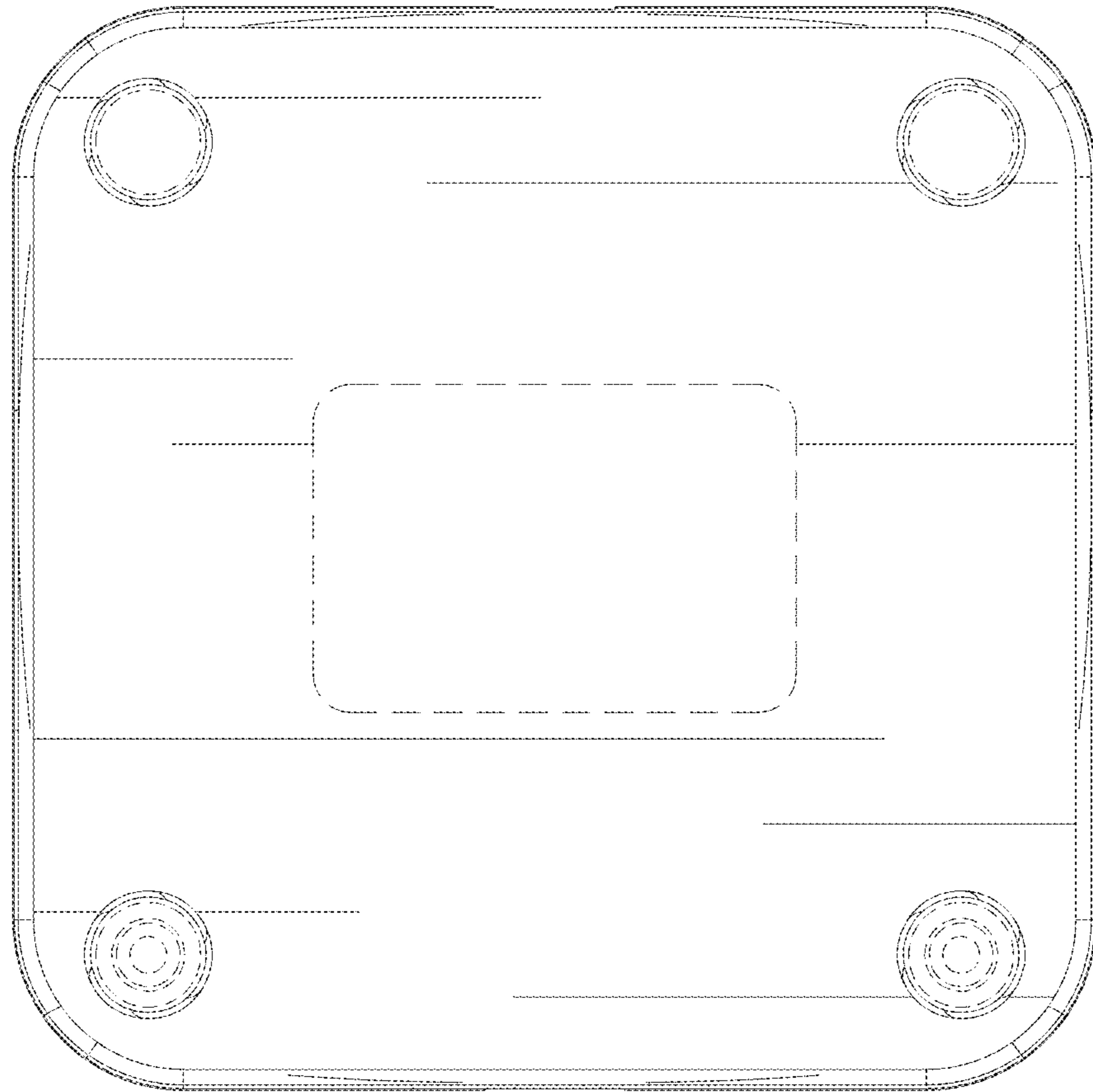
* cited by examiner



F I G. 1



F I G. 2



F I G. 3

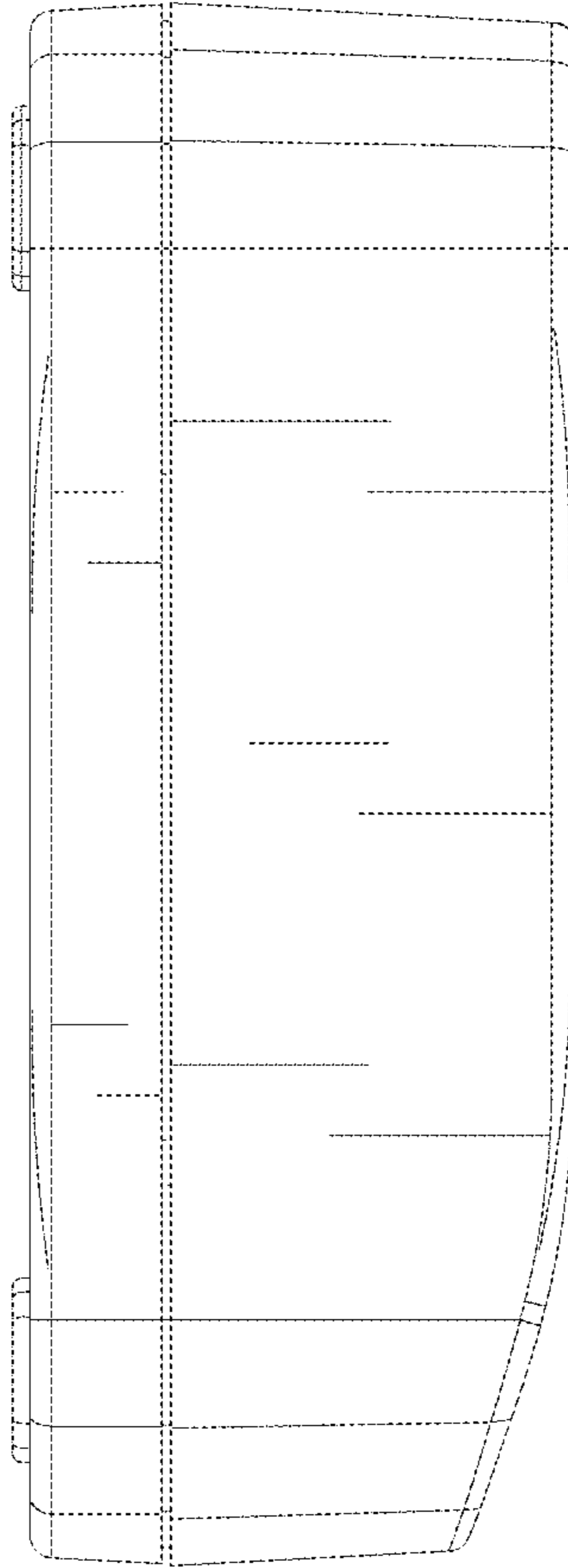
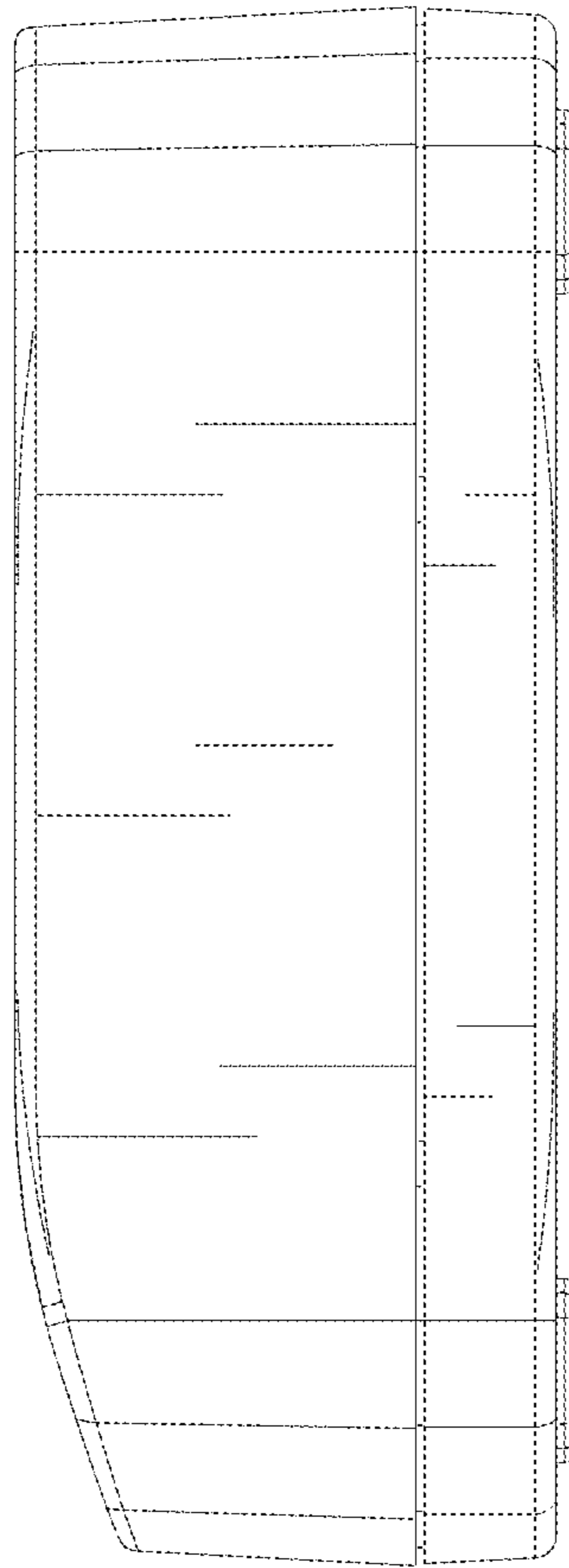
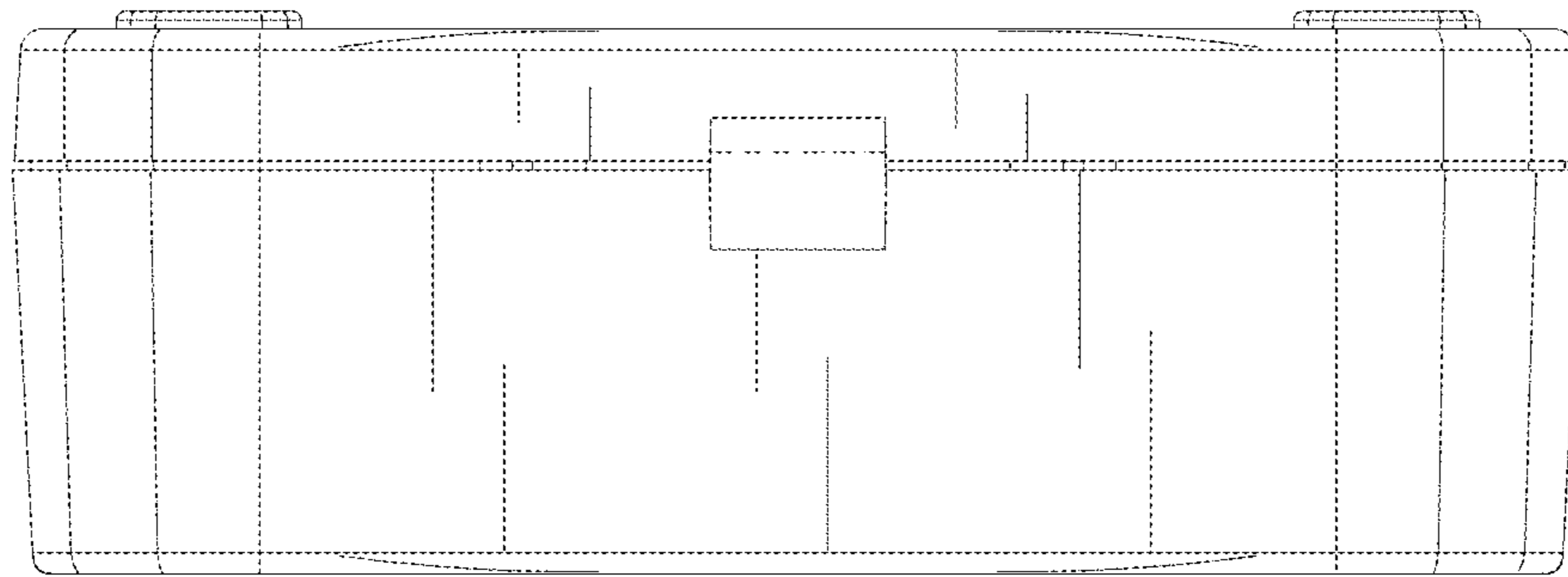


FIG. 4



F I G. 5



F I G. 6

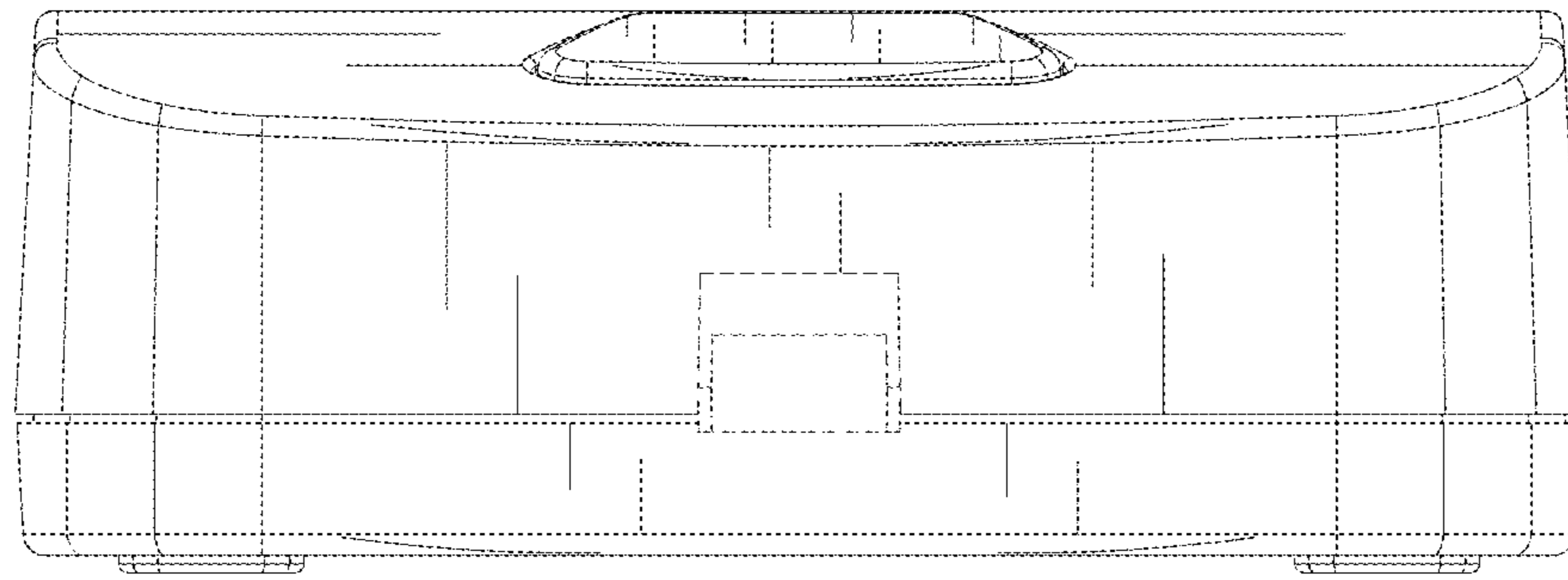


FIG. 7