



US00D980803S

(12) **United States Design Patent**
Stifter, Jr. et al.

(10) **Patent No.:** **US D980,803 S**
(45) **Date of Patent:** **** Mar. 14, 2023**

- (54) **ENDCAP**
- (71) Applicant: **Starlight Holdings, LLC**, Canonsburg, PA (US)
- (72) Inventors: **Frank Joseph Stifter, Jr.**, Bridgeville, PA (US); **David Philip Marple**, Canonsburg, PA (US); **Lucas Anthony Andrews**, Clinton, PA (US); **Mark Thomasz Prus Trebicki**, South Deerfield, MA (US)
- (73) Assignee: **Starline Holdings, LLC**, Canonsburg, PA (US)

(**) Term: **15 Years**

(21) Appl. No.: **29/799,581**

(22) Filed: **Jul. 15, 2021**

(51) **LOC (14) Cl.** **13-03**

(52) **U.S. Cl.**
USPC **D13/156**

(58) **Field of Classification Search**
USPC D13/151, 154, 155, 156; D8/350, 352, D8/351
See application file for complete search history.

(56) **References Cited**

U.S. PATENT DOCUMENTS

- D333,936 S * 3/1993 van der Zanden D6/580
- D402,262 S * 12/1998 Scherer D13/155

- D419,962 S * 2/2000 Caveney D13/152
- D558,142 S * 12/2007 Cho D13/110
- D807,303 S * 1/2018 Newell D13/156
- D817,876 S * 5/2018 Meng D13/110
- D818,954 S * 5/2018 Lai D13/110
- D826,154 S * 8/2018 Ceravalo D13/110
- D887,994 S * 6/2020 Fidler D13/156
- D953,267 S * 5/2022 Shi D13/110

* cited by examiner

Primary Examiner — Jennifer O King
(74) *Attorney, Agent, or Firm* — McCarter & English, LLP

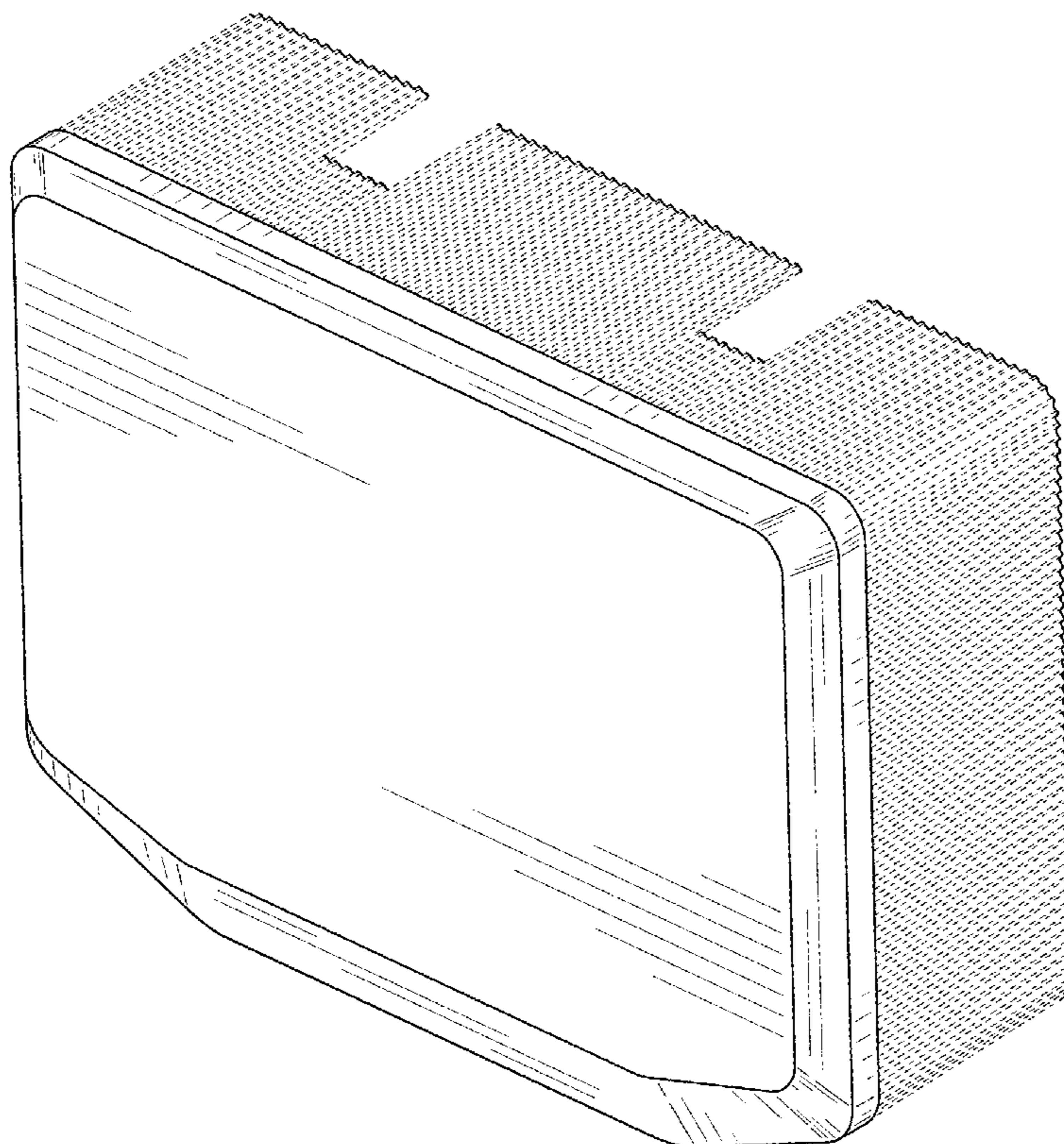
(57) **CLAIM**

The ornamental design for an endcap, as shown and described.

DESCRIPTION

FIG. 1 is a perspective view of an endcap;
FIG. 2 is a front elevational view of the endcap of FIG. 1;
FIG. 3 is a rear elevational view of the endcap of FIG. 1;
FIG. 4 is a right side elevational view of the endcap of FIG. 1;
FIG. 5 is a left side elevational view of the endcap of FIG. 1;
FIG. 6 is a top plan view of the endcap of FIG. 1; and,
FIG. 7 is a bottom plan view of the endcap of FIG. 1.
The broken lines in FIGS. 1 and 4-7 represent structure and boundaries that are not part of the claimed design, but rather show the environment in which the design is associated.

1 Claim, 6 Drawing Sheets



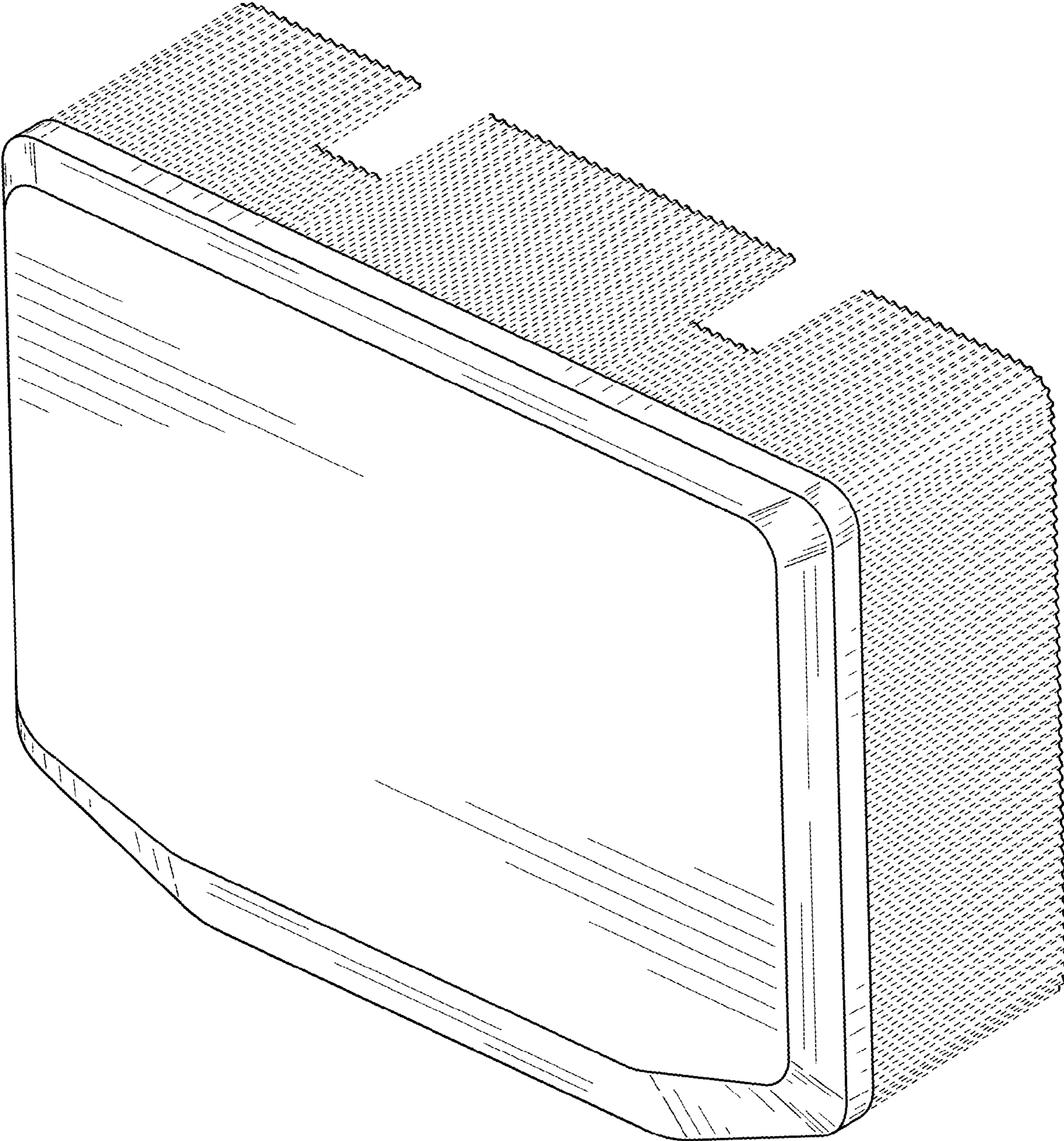


FIG. 1

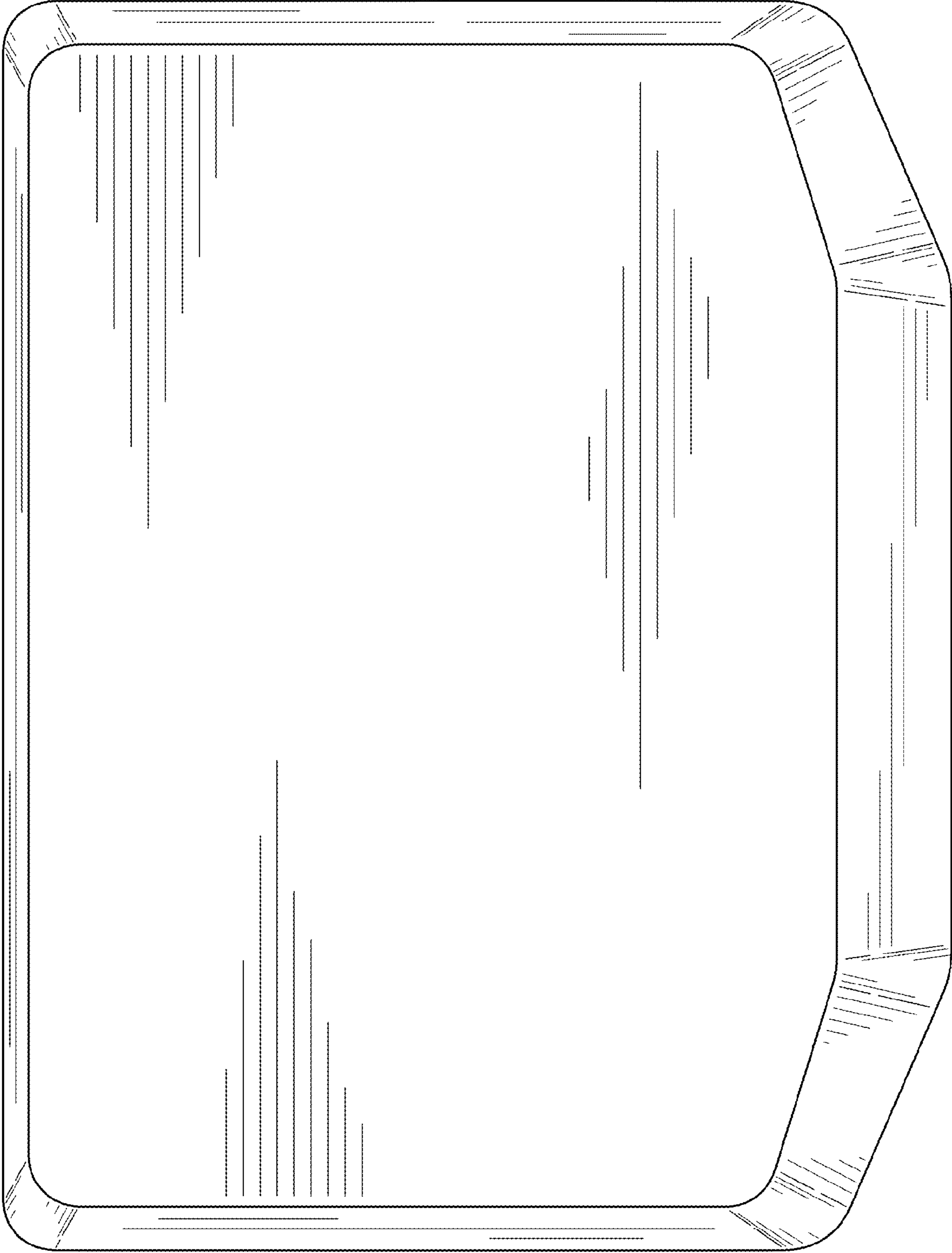


FIG. 2

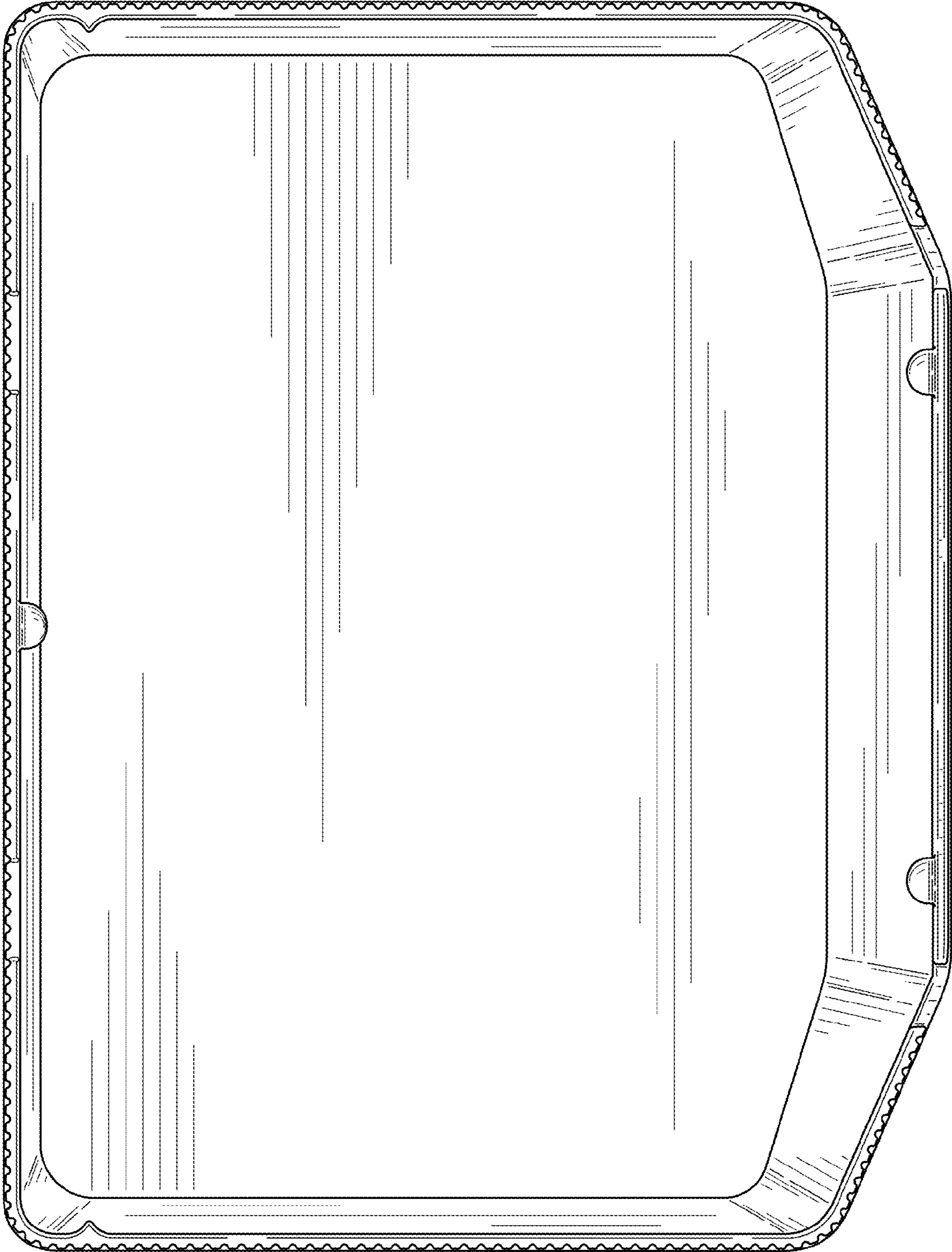


FIG. 3

FIG. 5

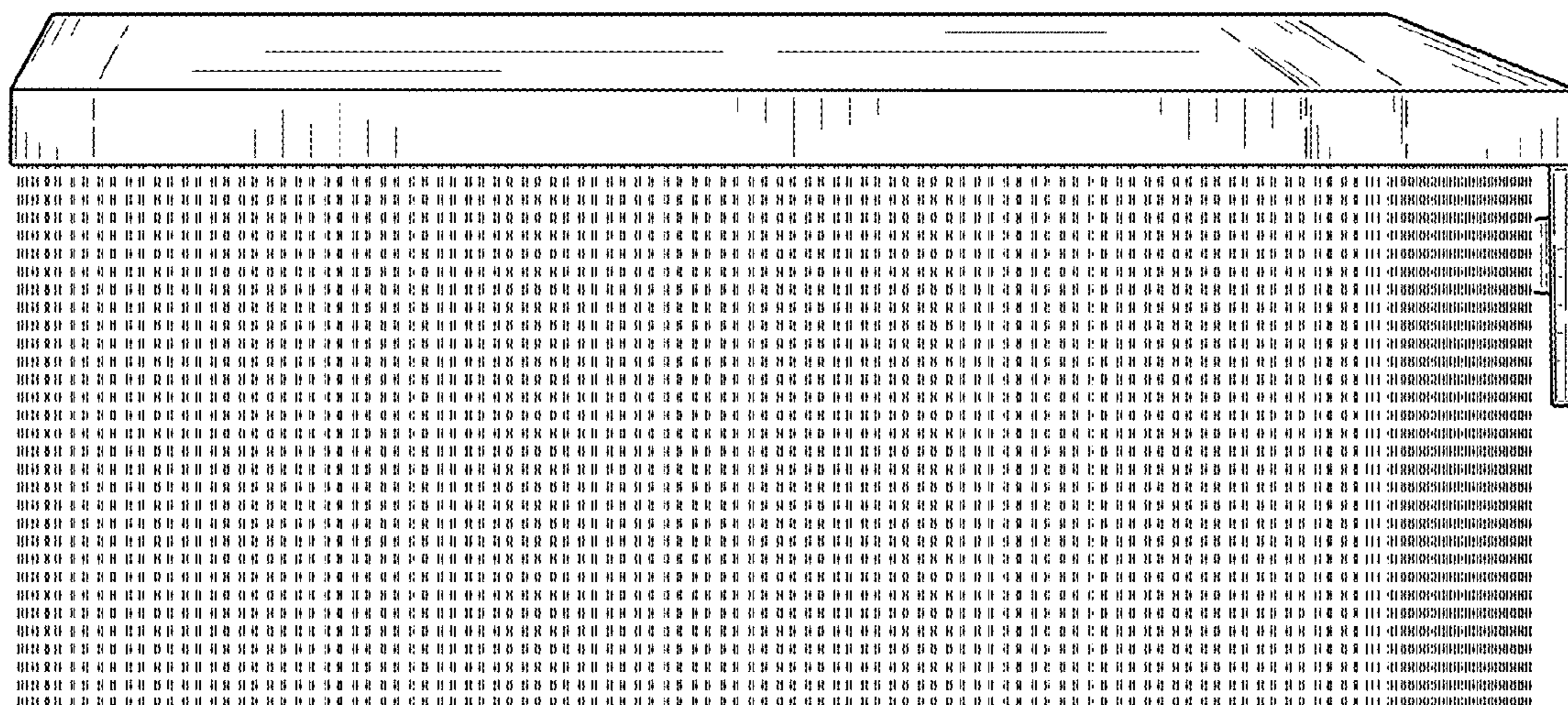
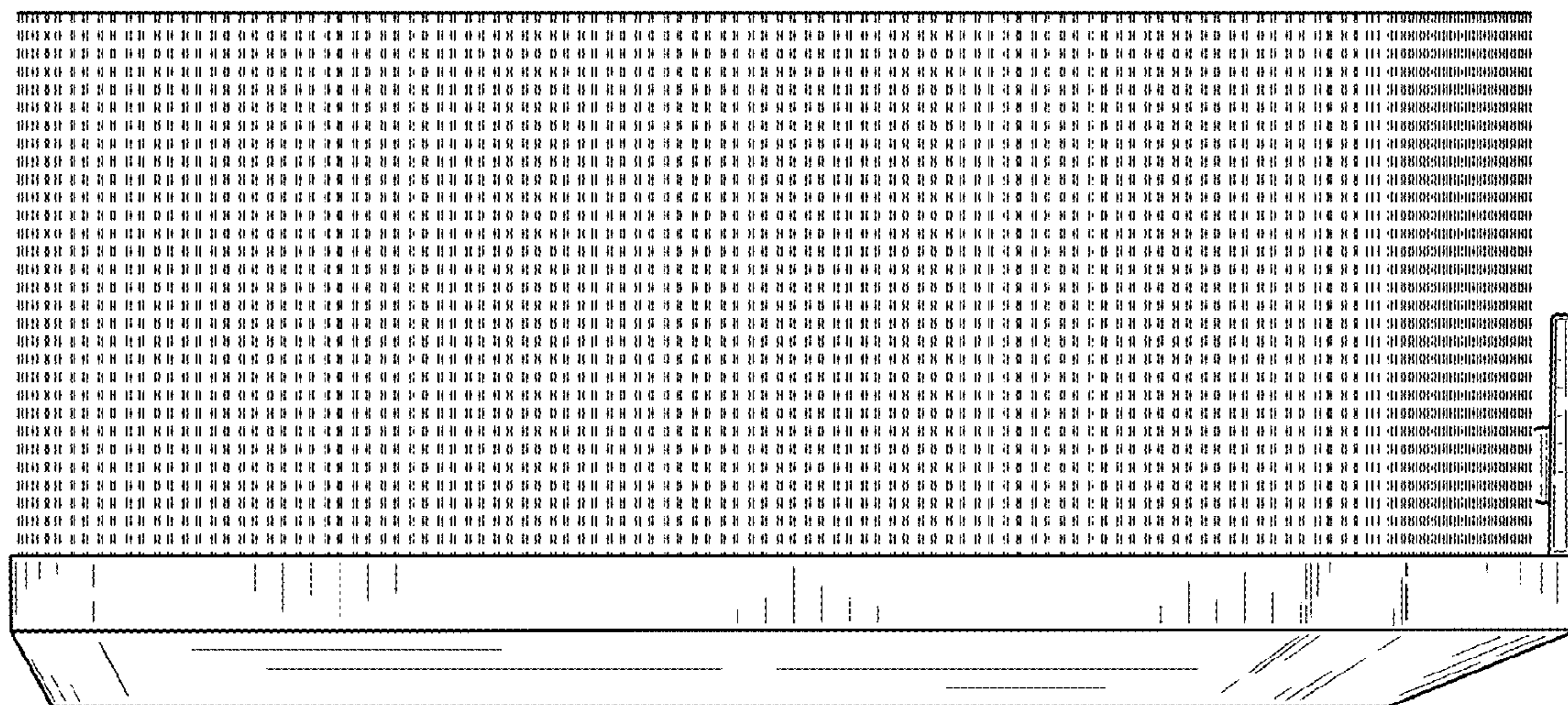


FIG. 4



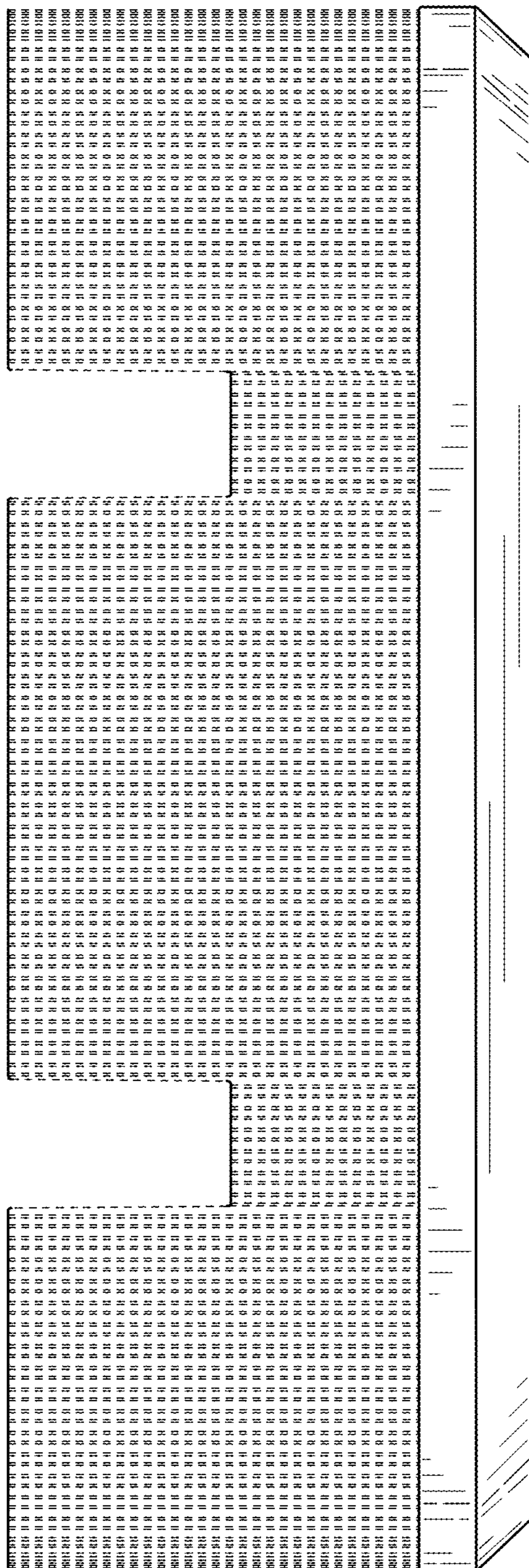


FIG. 6

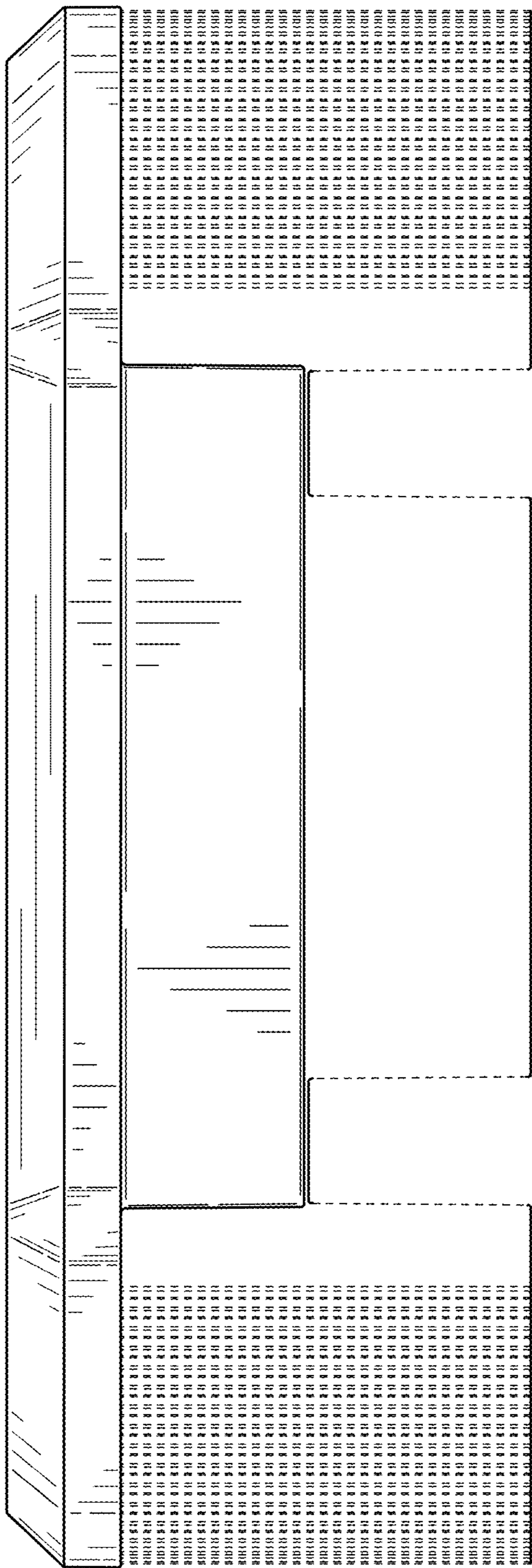


FIG. 7