



US00D980802S

(12) **United States Design Patent**  
**Quilty et al.**

(10) **Patent No.:** **US D980,802 S**  
(45) **Date of Patent:** **\*\* Mar. 14, 2023**

- (54) **OUTLET ENCLOSURE**
- (71) Applicants: **Killian Quilty**, Tampa, FL (US);  
**Anthony Young**, Jacksonville, FL (US)
- (72) Inventors: **Killian Quilty**, Tampa, FL (US);  
**Anthony Young**, Jacksonville, FL (US)
- (\*\*) Term: **15 Years**
- (21) Appl. No.: **29/777,441**
- (22) Filed: **Apr. 6, 2021**
- (51) **LOC (14) Cl.** ..... **13-03**
- (52) **U.S. Cl.**  
USPC ..... **D13/156; D13/152**
- (58) **Field of Classification Search**  
USPC ..... D13/151, 152, 154, 155, 156; D8/350,  
D8/352, 351  
See application file for complete search history.

2004/0238197 A1\* 12/2004 Gates, II ..... H02G 3/121  
174/53

\* cited by examiner

*Primary Examiner* — Jennifer O King  
(74) *Attorney, Agent, or Firm* — Andrew S. Rapacke

(57) **CLAIM**

The ornamental design for an outlet enclosure, as shown and described.

**DESCRIPTION**

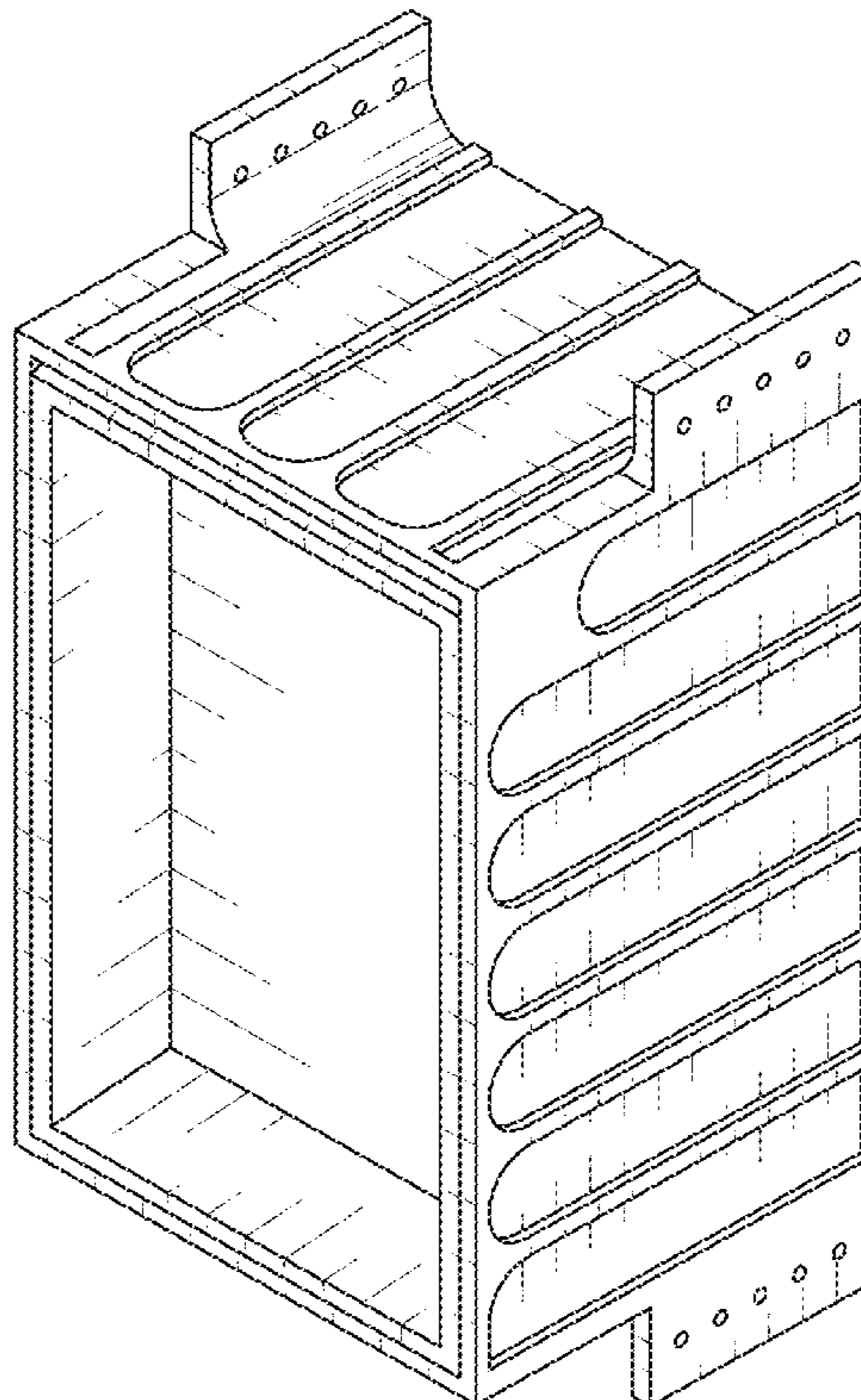
FIG. 1 is a top perspective view of the outlet enclosure, showing the new design;  
 FIG. 2 is a rear perspective view of the outlet enclosure thereof;  
 FIG. 3 is a front elevational view of the outlet enclosure thereof;  
 FIG. 4 is a rear elevational view of the outlet enclosure thereof;  
 FIG. 5 is a left side elevational view of the outlet enclosure thereof;  
 FIG. 6 is a right side elevational view of the outlet enclosure thereof;  
 FIG. 7 is a top plan view of the outlet enclosure thereof;  
 FIG. 8 is bottom plan view of the outlet enclosure thereof;  
 and,  
 FIG. 9 is an exploded perspective view of the outlet enclosure thereof.  
 The broken lines shown represent unclaimed subject matter and form no part of the claimed design.

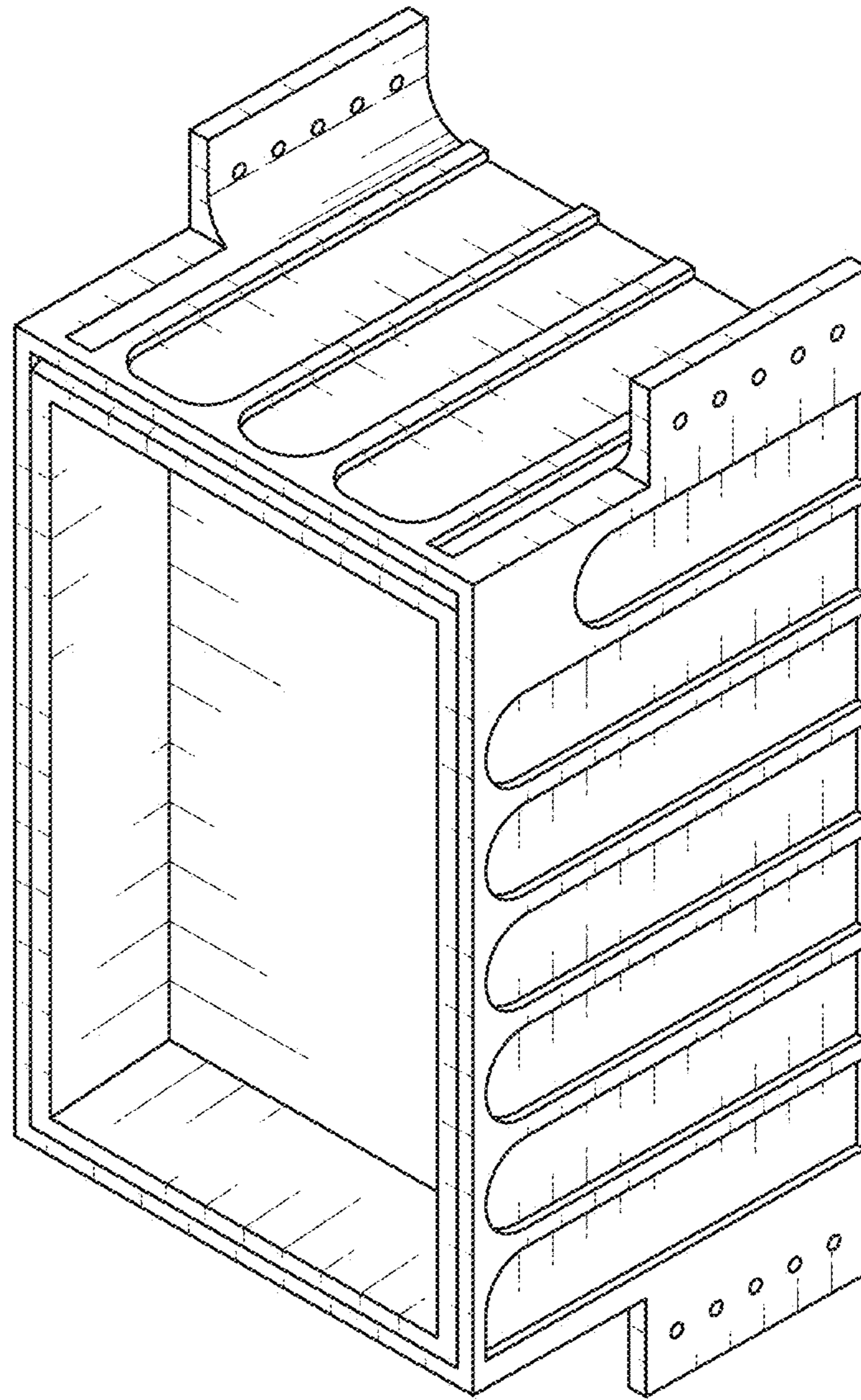
(56) **References Cited**

**U.S. PATENT DOCUMENTS**

D217,672 S *	5/1970	Vilegi .....	D13/152
D238,580 S *	1/1976	Lehmann .....	D13/184
D245,102 S *	7/1977	Gross .....	D25/36
D252,568 S *	8/1979	Comstock .....	D13/184
D485,810 S *	1/2004	Fiocchi .....	D13/184
D556,143 S *	11/2007	Ni .....	D13/152
D559,788 S *	1/2008	Dinh .....	D13/152
D597,960 S *	8/2009	Dinh .....	D13/152
D745,455 S *	12/2015	Nook .....	D13/103
D771,574 S *	11/2016	Hultquist .....	D13/156
D964,943 S *	9/2022	Xu .....	D13/152

**1 Claim, 5 Drawing Sheets**





*FIG. 1*

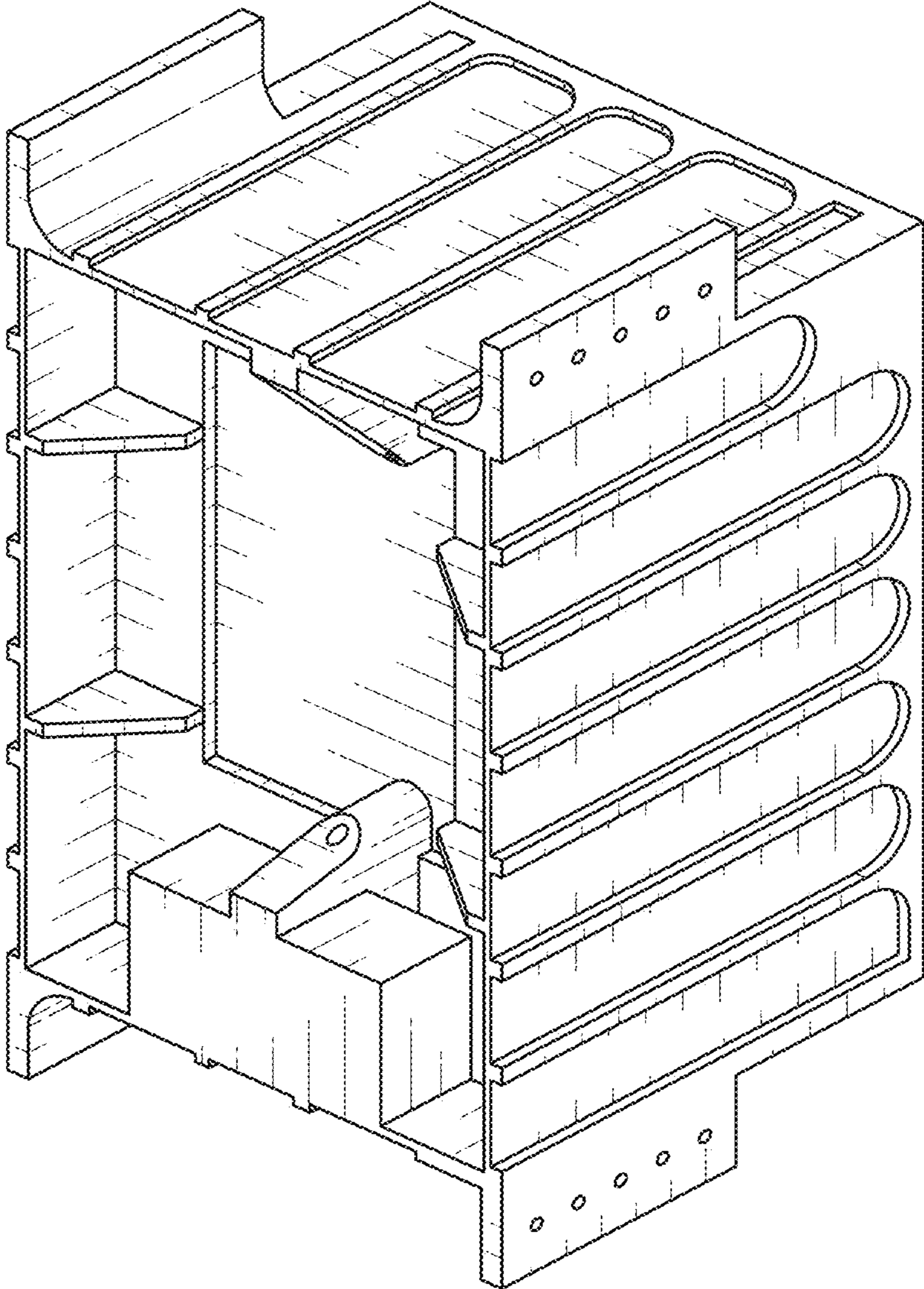
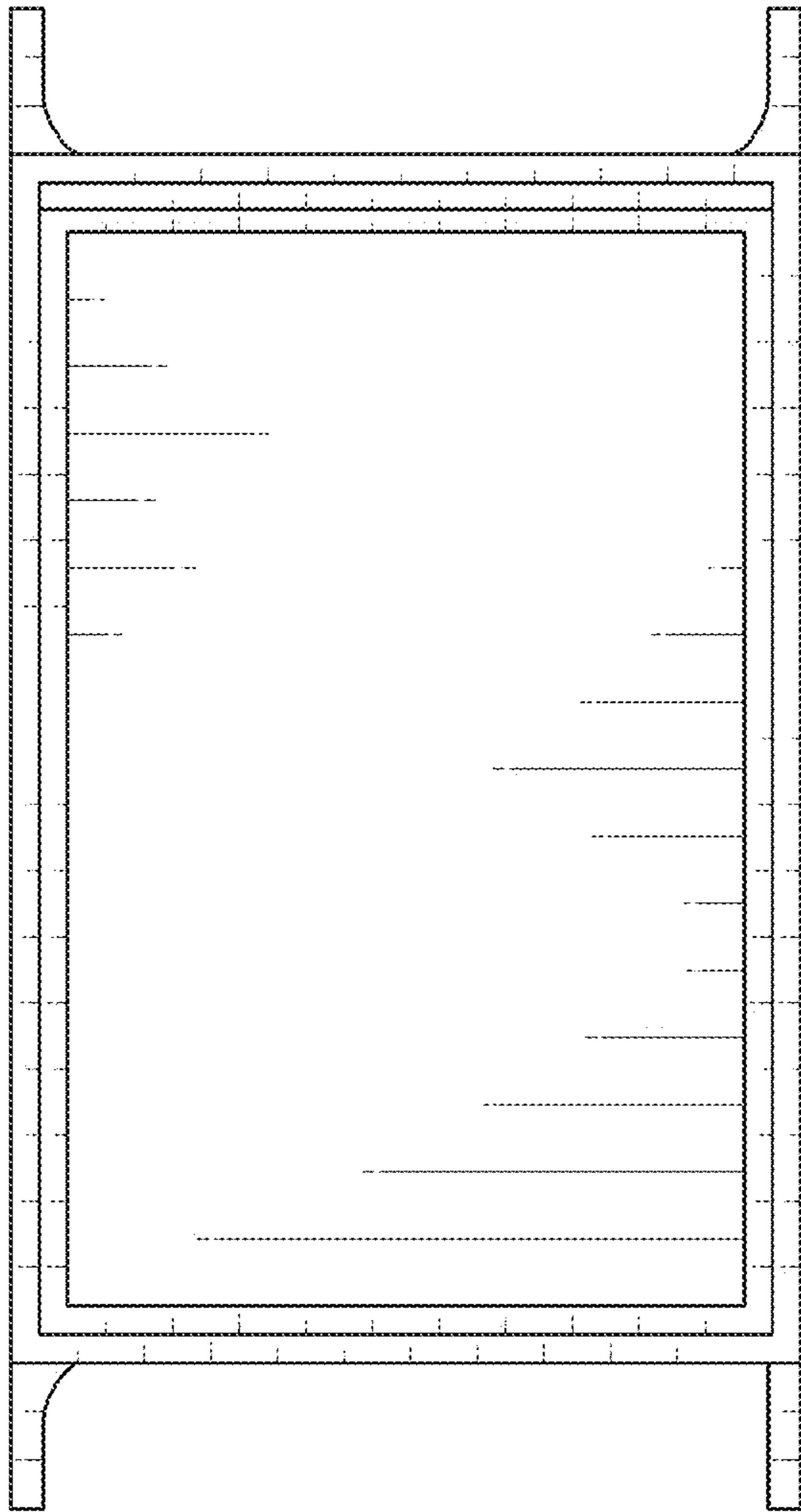
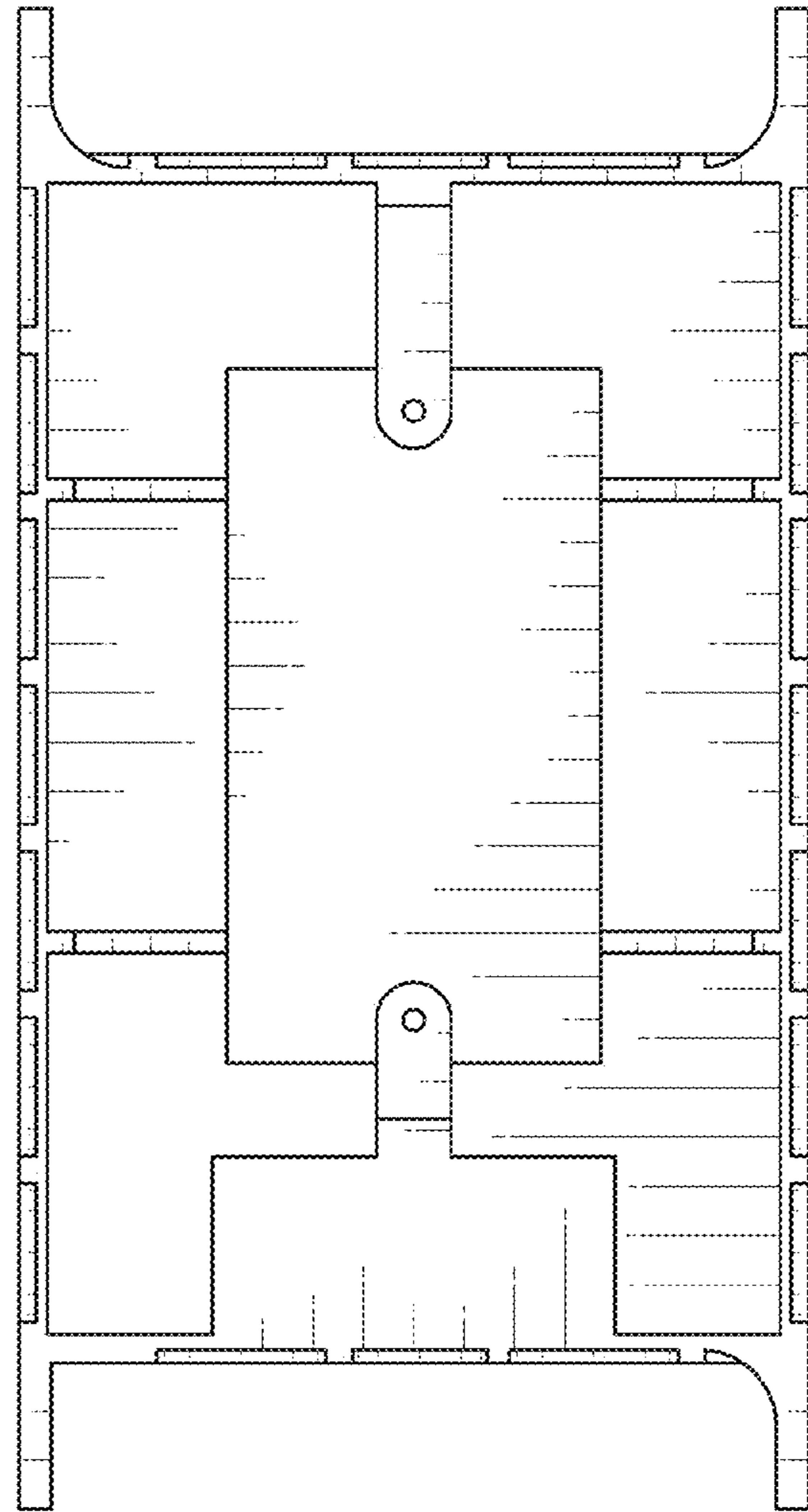


FIG. 2



*FIG. 3*



*FIG. 4*

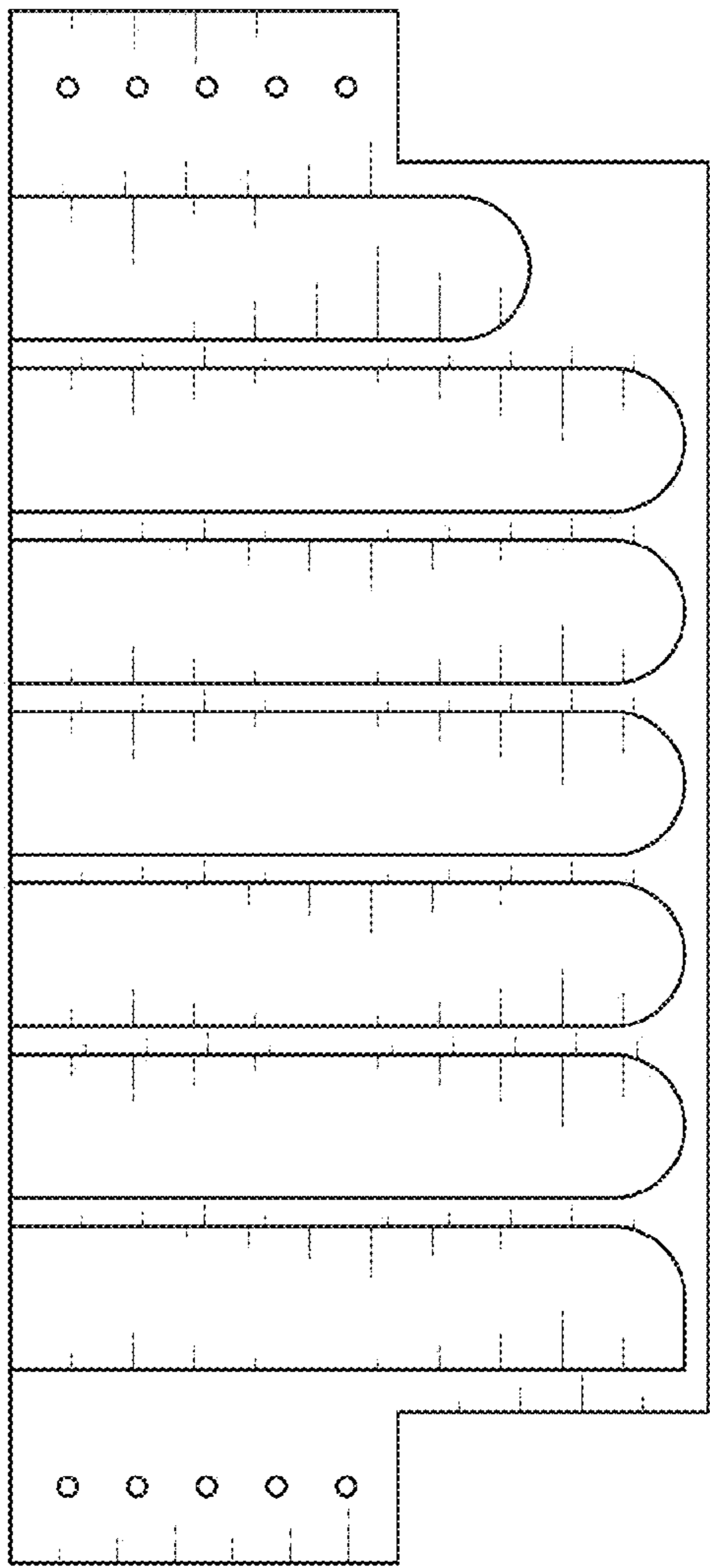


FIG. 5

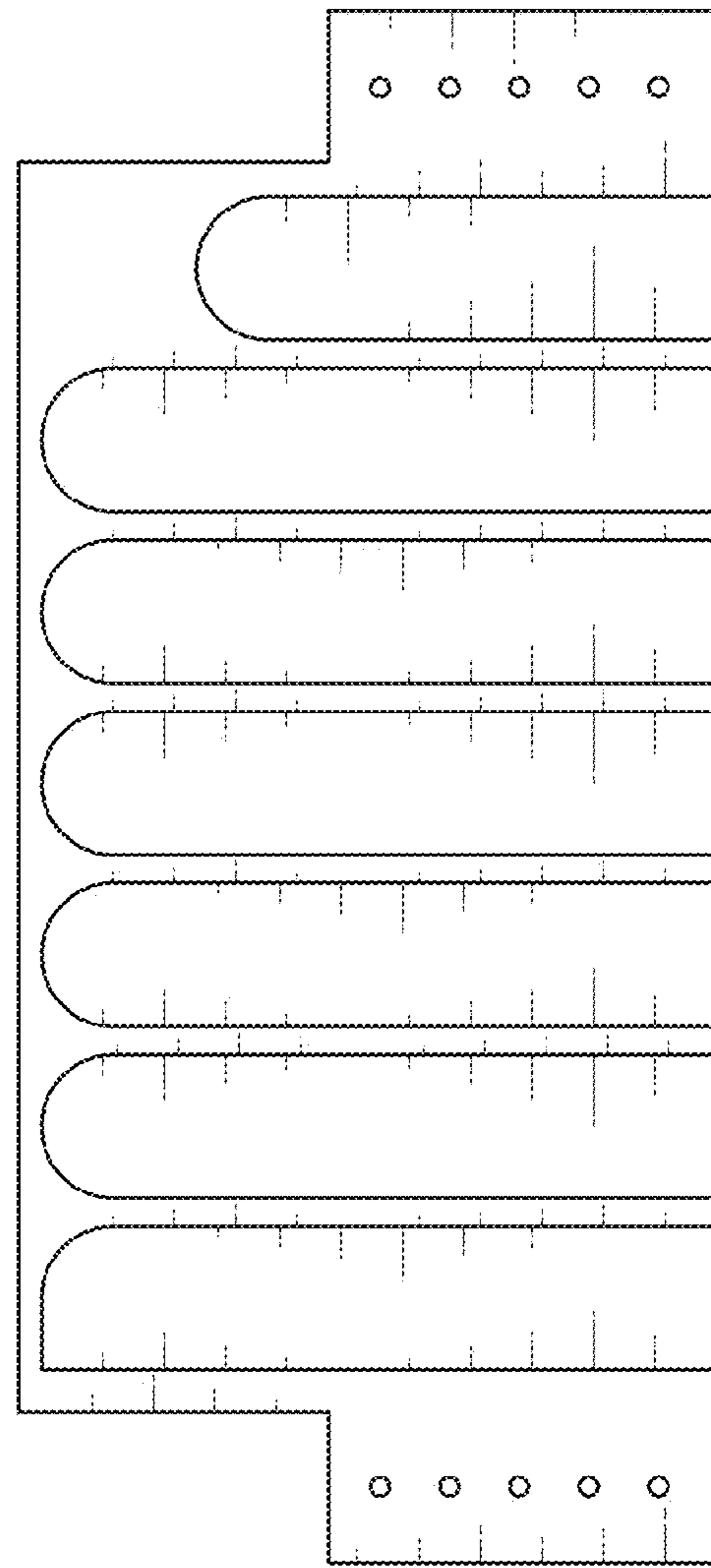


FIG. 6

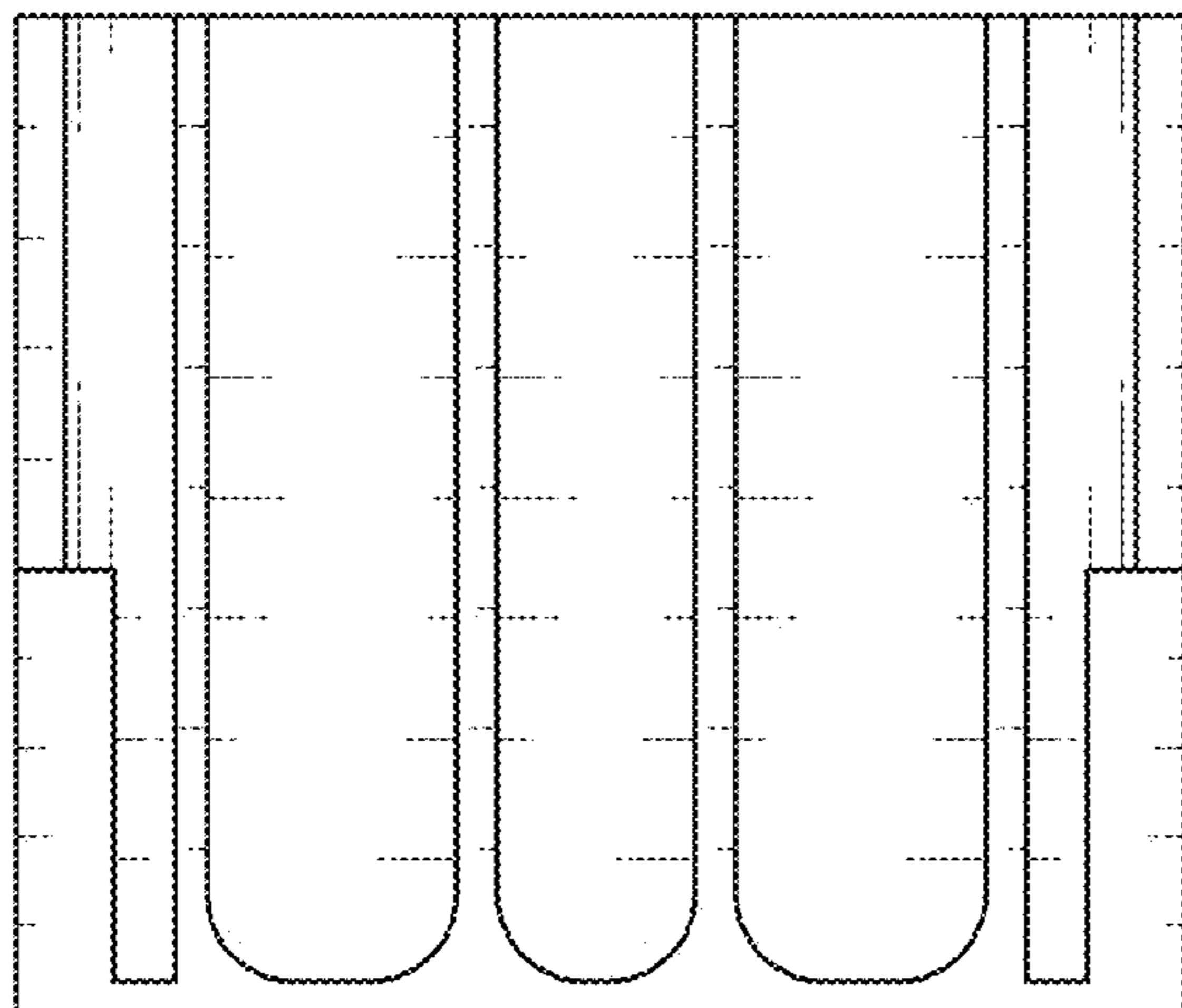


FIG. 7

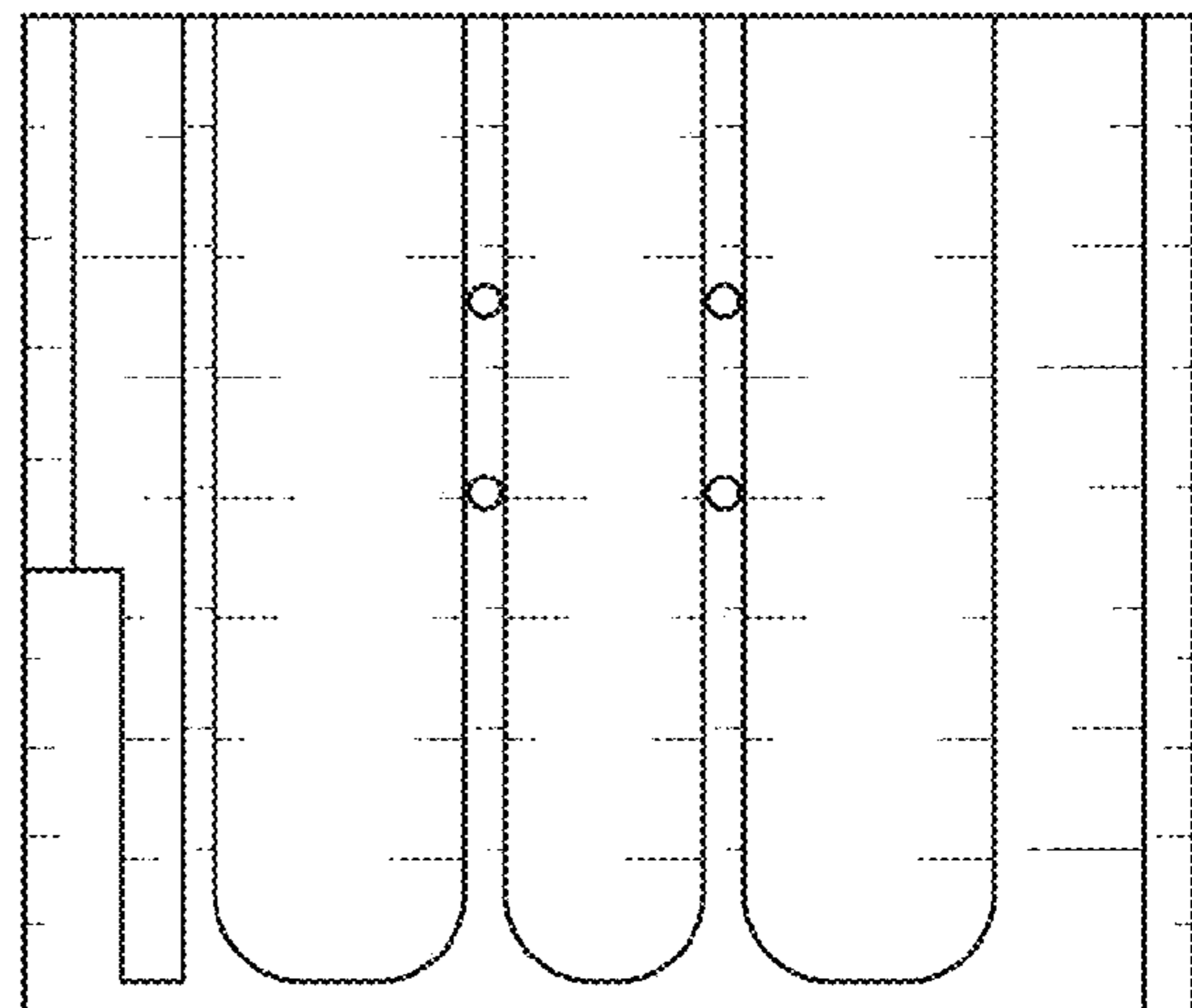


FIG. 8

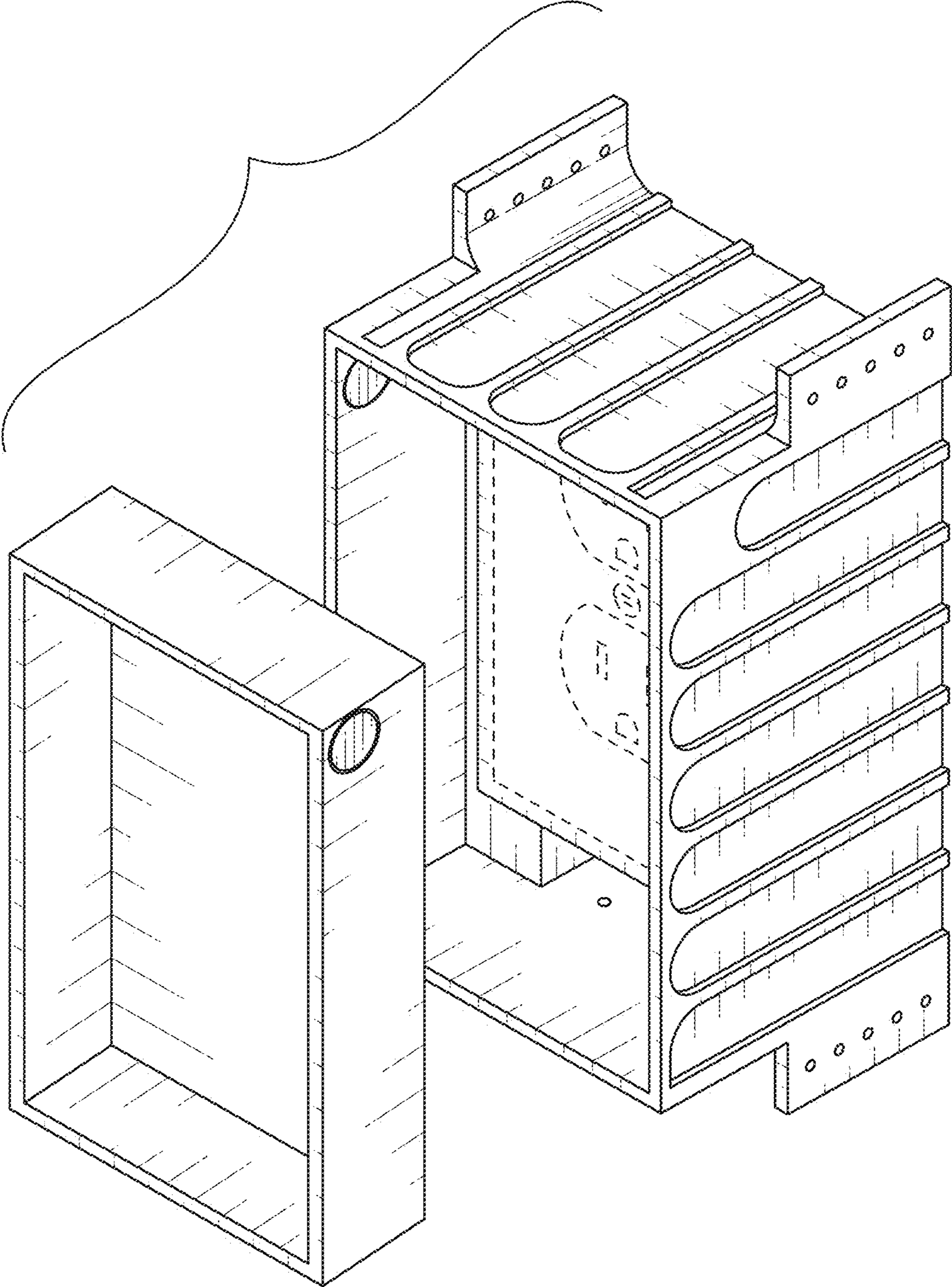


FIG. 9