



US00D980800S

(12) **United States Design Patent**
Harris et al.

(10) **Patent No.:** **US D980,800 S**
(45) **Date of Patent:** **** Mar. 14, 2023**

- (54) **COUPLING**
- (71) Applicant: **Colder Products Company**, St. Paul, MN (US)
- (72) Inventors: **Gary J. Harris**, Maple Grove, MN (US); **Jeffrey Jonathan Martin**, St. Paul, MN (US); **Grant A. Wilhelm**, Plymouth, MN (US); **Peter David Lee Wootton**, Richmond (CA)
- (73) Assignee: **Colder Products Company**, Roseville, MN (US)

D585,837 S *	2/2009	Kuehne	D13/154
7,874,860 B2 *	1/2011	Starke	H01R 13/622 439/216
D649,938 S *	12/2011	Erickson	D13/147
D649,939 S *	12/2011	Erickson	D13/147
D753,065 S *	4/2016	Corona	D13/146
D782,419 S *	3/2017	Willette	D13/134
10,290,969 B2 *	5/2019	Zhu	H05K 5/0013
D884,644 S *	5/2020	Milroy	D13/146
D929,945 S *	9/2021	Martin	D13/147
D947,787 S *	4/2022	Harris	D13/146
D960,840 S *	8/2022	Vlacich	D13/146
2013/0078839 A1 *	3/2013	Musk	H01R 13/631 439/345

- (**) Term: **15 Years**
- (21) Appl. No.: **29/733,298**
- (22) Filed: **Apr. 30, 2020**
- (51) **LOC (14) Cl.** **13-03**
- (52) **U.S. Cl.**
USPC **D13/133; D13/146; D13/147**
- (58) **Field of Classification Search**
USPC **D8/396; D10/80, 114.1; D13/119-120, D13/133, 146-147, 149, 151, 154, 156, D13/182; D14/433; D15/146; D23/226, D23/262; D24/138**
CPC .. **H01R 13/111; H01R 13/622; H01R 13/631; H01R 13/748; H01R 13/5213; H01R 13/5227; H01R 12/716; H01R 12/7047; H01R 13/4223; H01R 13/5202; H01R 13/6683; B60L 53/16; H05K 5/0013; H05K 5/03; H05K 5/0052; H05K 5/0247; G01K 1/16**
See application file for complete search history.

- (56) **References Cited**
U.S. PATENT DOCUMENTS
D525,202 S * 7/2006 Bihrer D13/146
D527,346 S * 8/2006 Brodin D13/146

OTHER PUBLICATIONS

CPC, Date: Oct. 29, 2017, [online], [site visited May 20, 2022]. Available from internet, URL: <https://www.cpcworldwide.com/Products/Multiline/Hybrid-Connector> (Year: 2017).*

(Continued)

Primary Examiner — Shawn T Gingrich
Assistant Examiner — Bryan N. Melvin
(74) *Attorney, Agent, or Firm* — Fish & Richardson P.C.

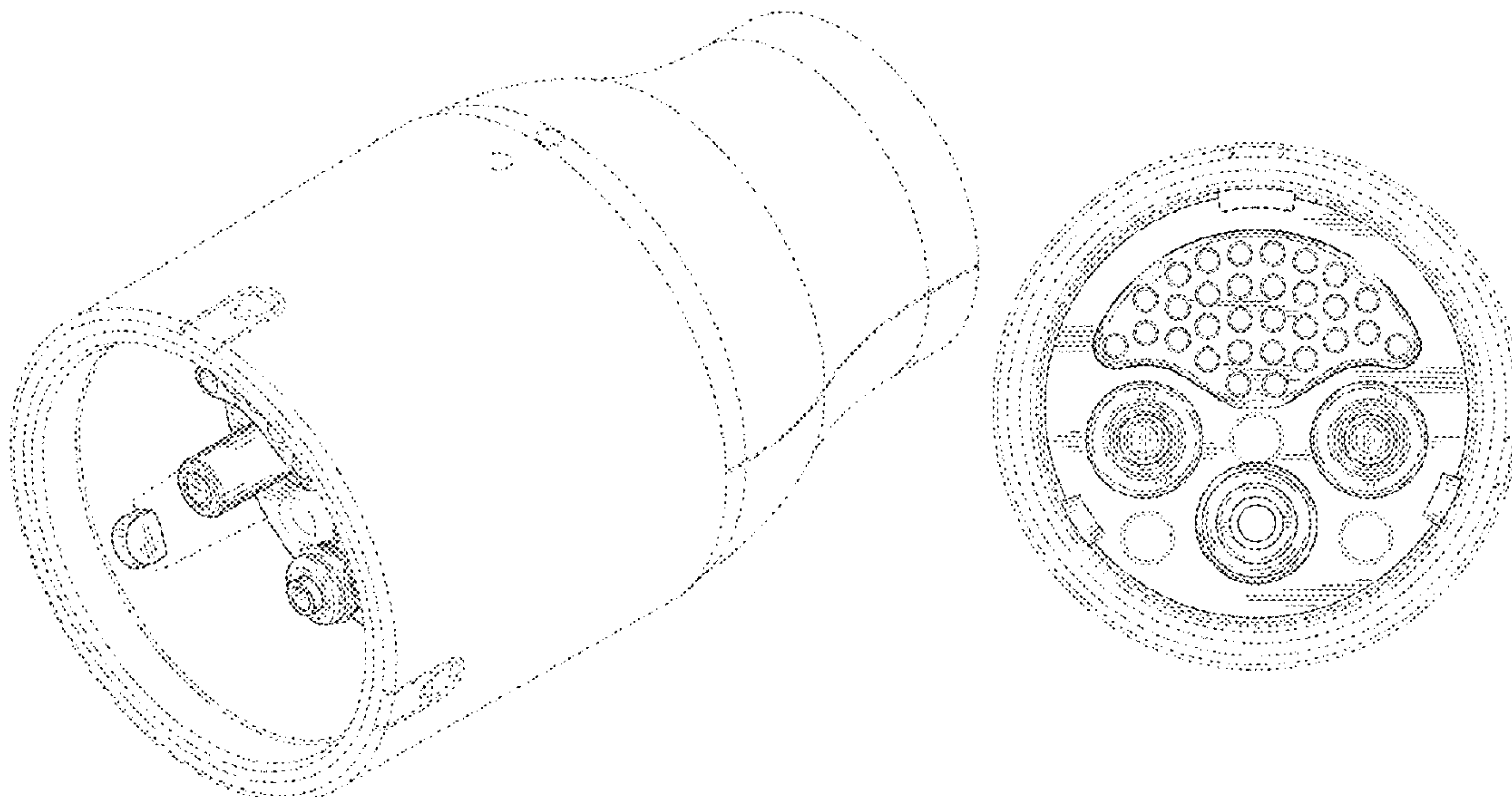
(57) **CLAIM**

The ornamental design for a coupling, as shown and described.

DESCRIPTION

FIG. 1 is a perspective view of the coupling.
FIG. 2 is a front view of the coupling of FIG. 1.
FIG. 3 is a back view of the coupling of FIG. 1.
FIG. 4 is a right side view of the coupling of FIG. 1.
FIG. 5 is a left side view of the coupling of FIG. 1.
FIG. 6 is a top view of the coupling of FIG. 1; and,
FIG. 7 is a bottom view of the coupling of FIG. 1.
The evenly dashed broken lines illustrate portions of the coupling that form no part of the claim.

1 Claim, 6 Drawing Sheets



(56)

References Cited

OTHER PUBLICATIONS

Medical Design, Date: Sep. 1, 2012, [online], [site visited May 20, 2022]. Available from internet, URL: <https://www.medicaldesignandoutsourcing.com/connectors-take-on-a-new-life/> (Year: 2012).*

* cited by examiner

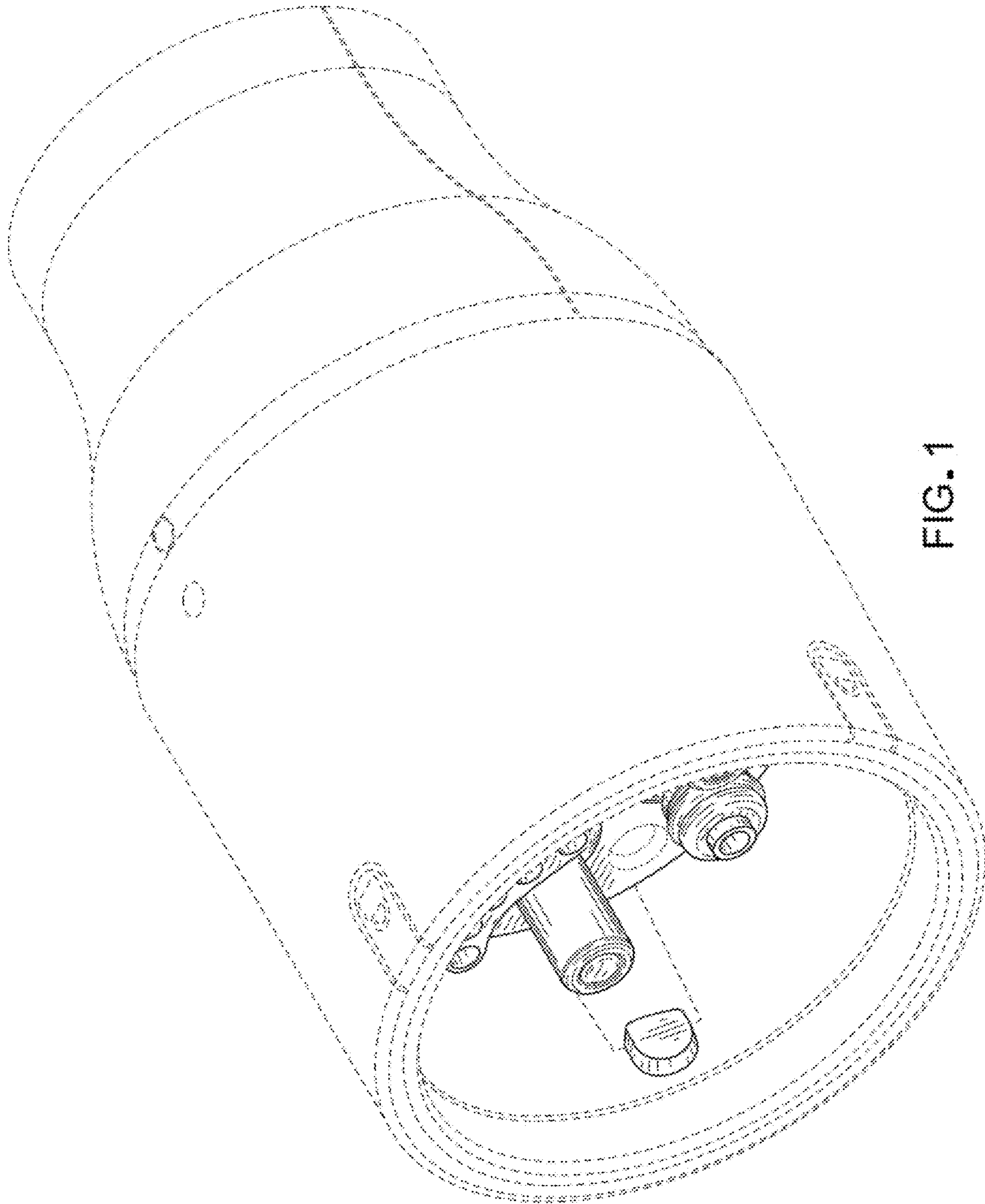


FIG. 1

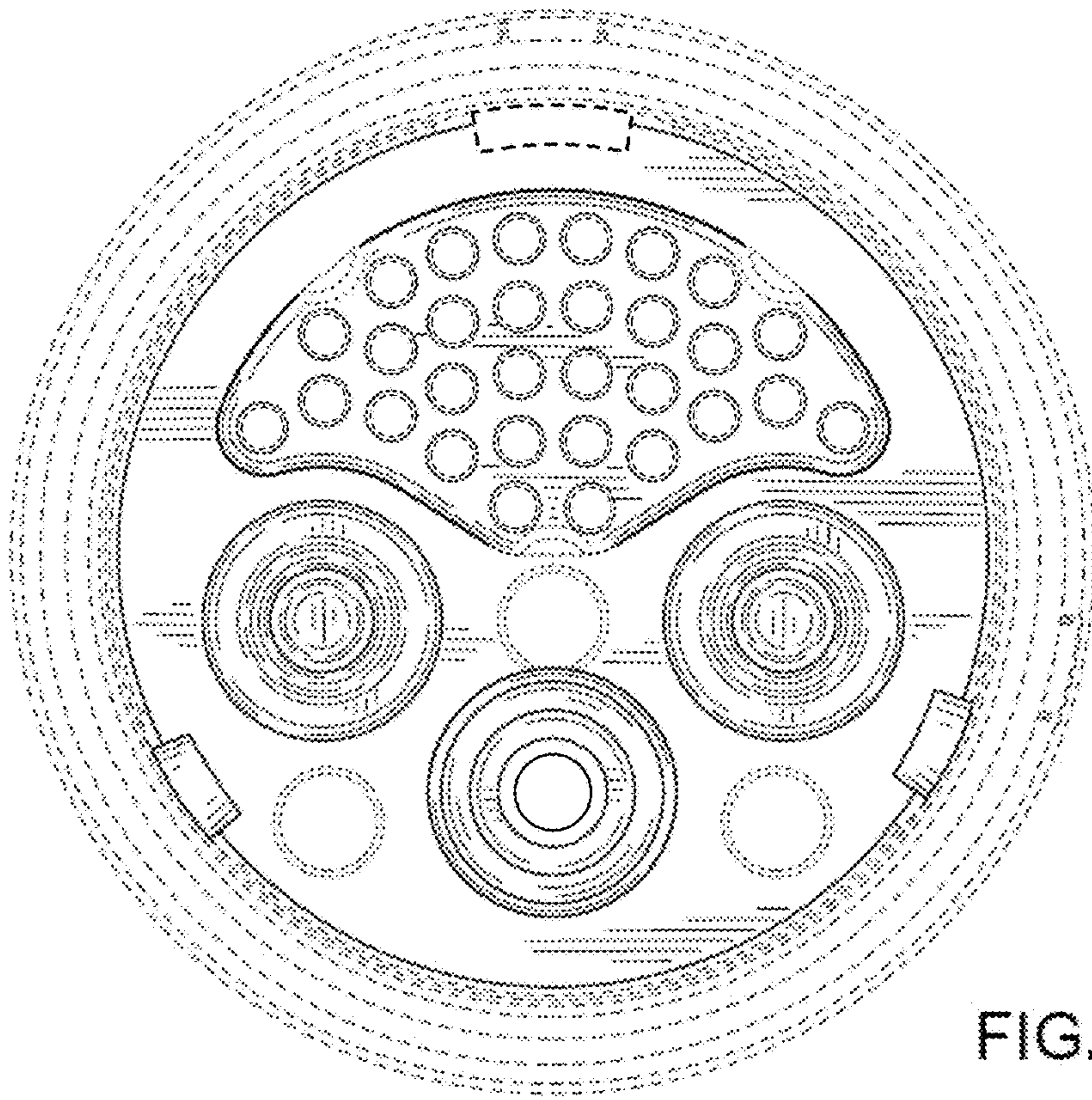


FIG. 2

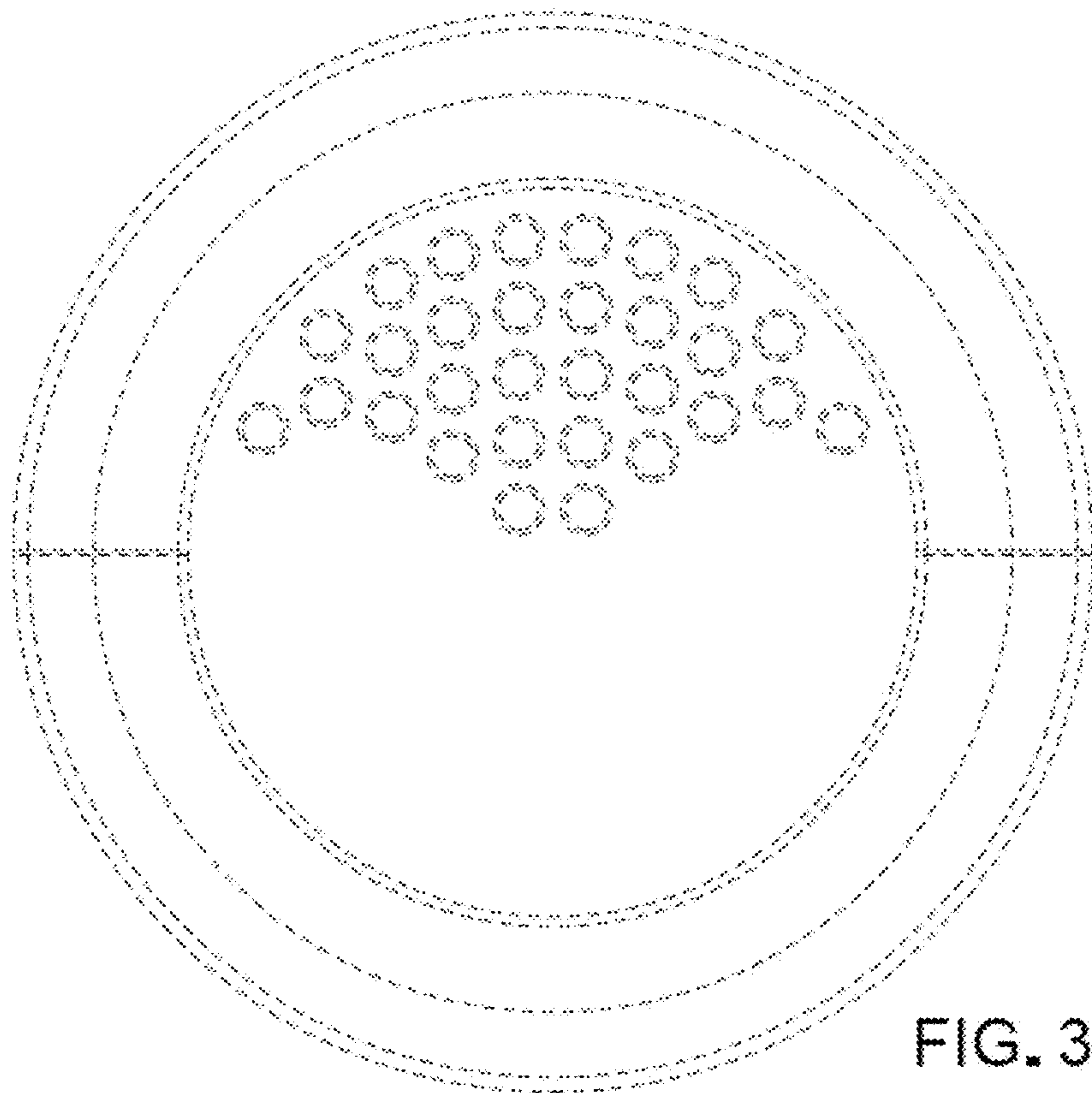


FIG. 3

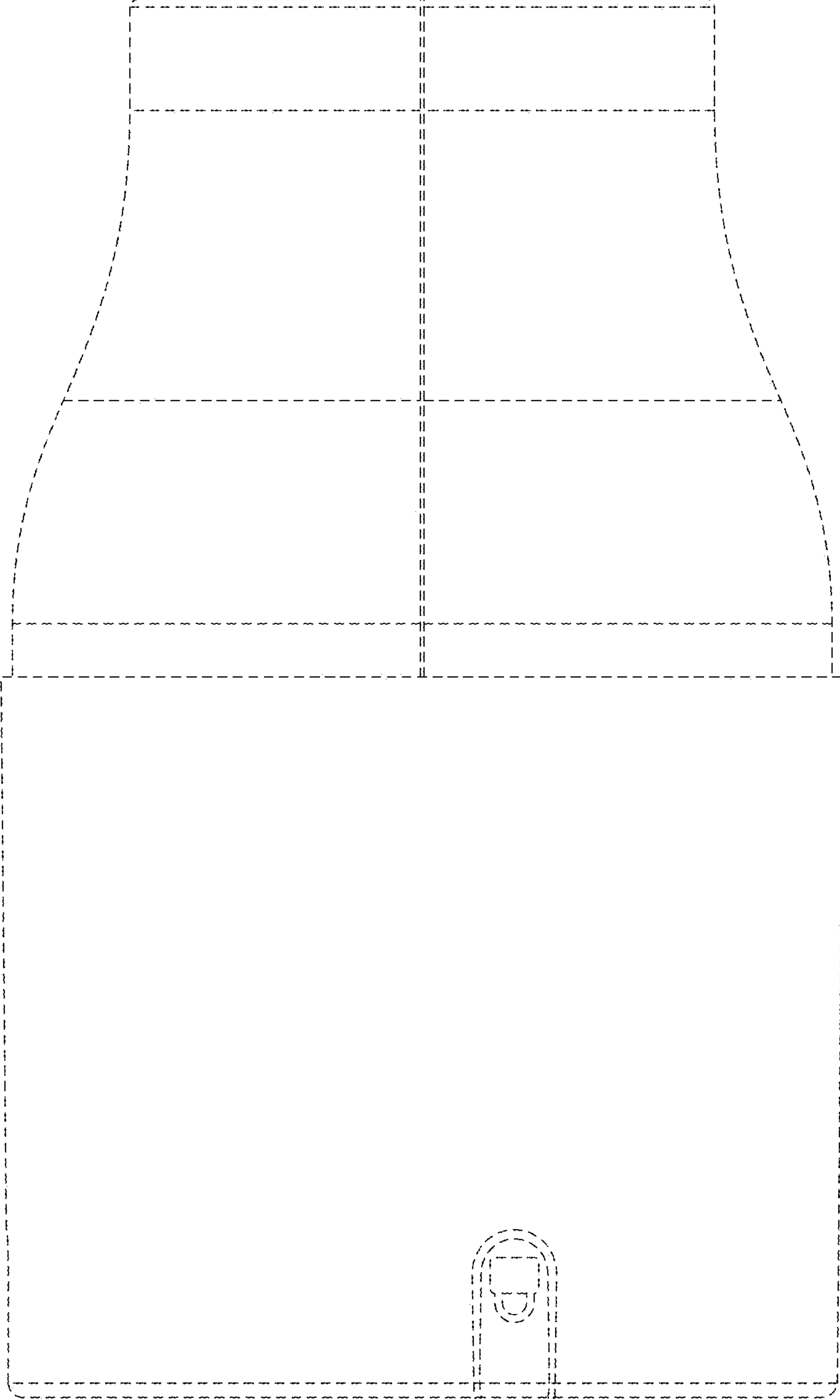


FIG. 4

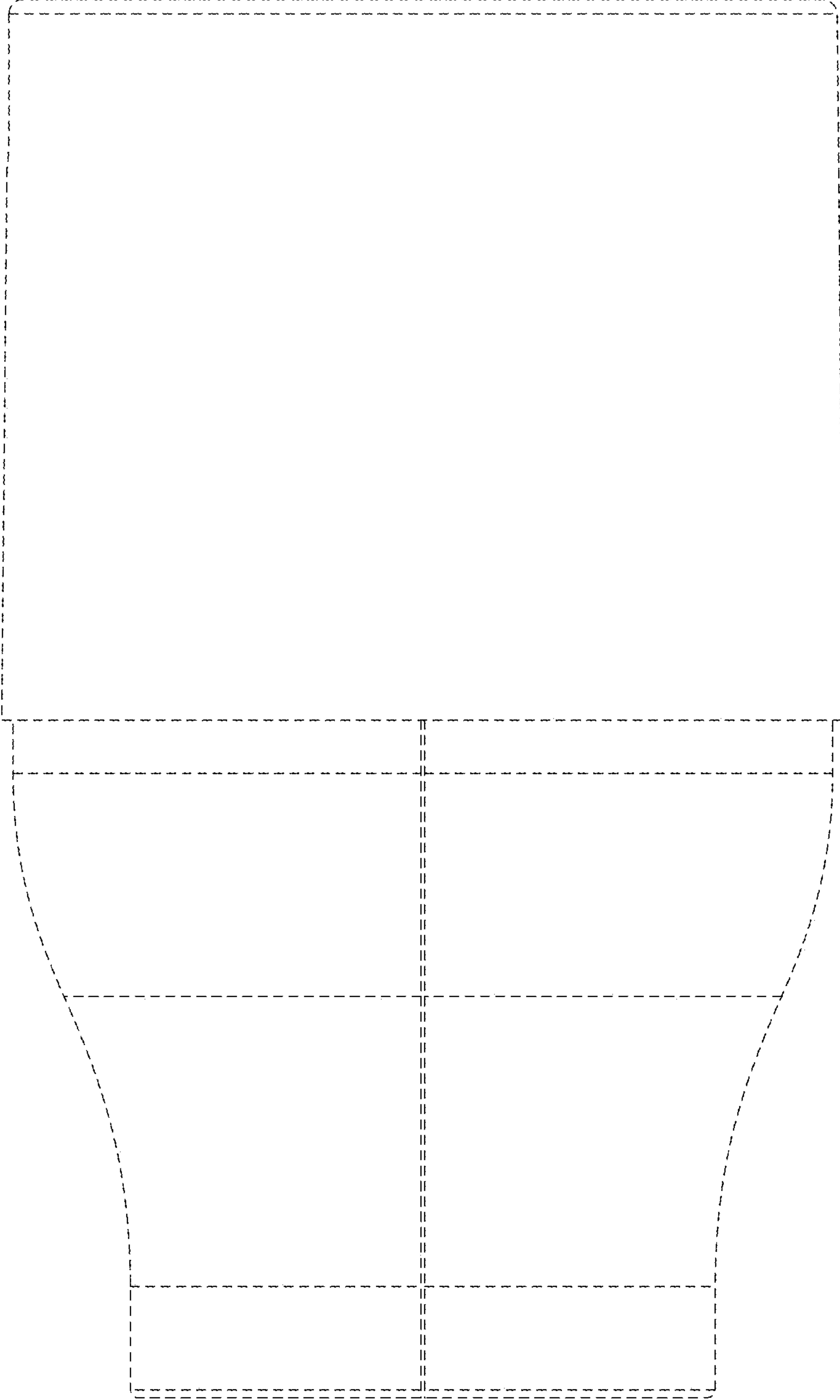


FIG. 5

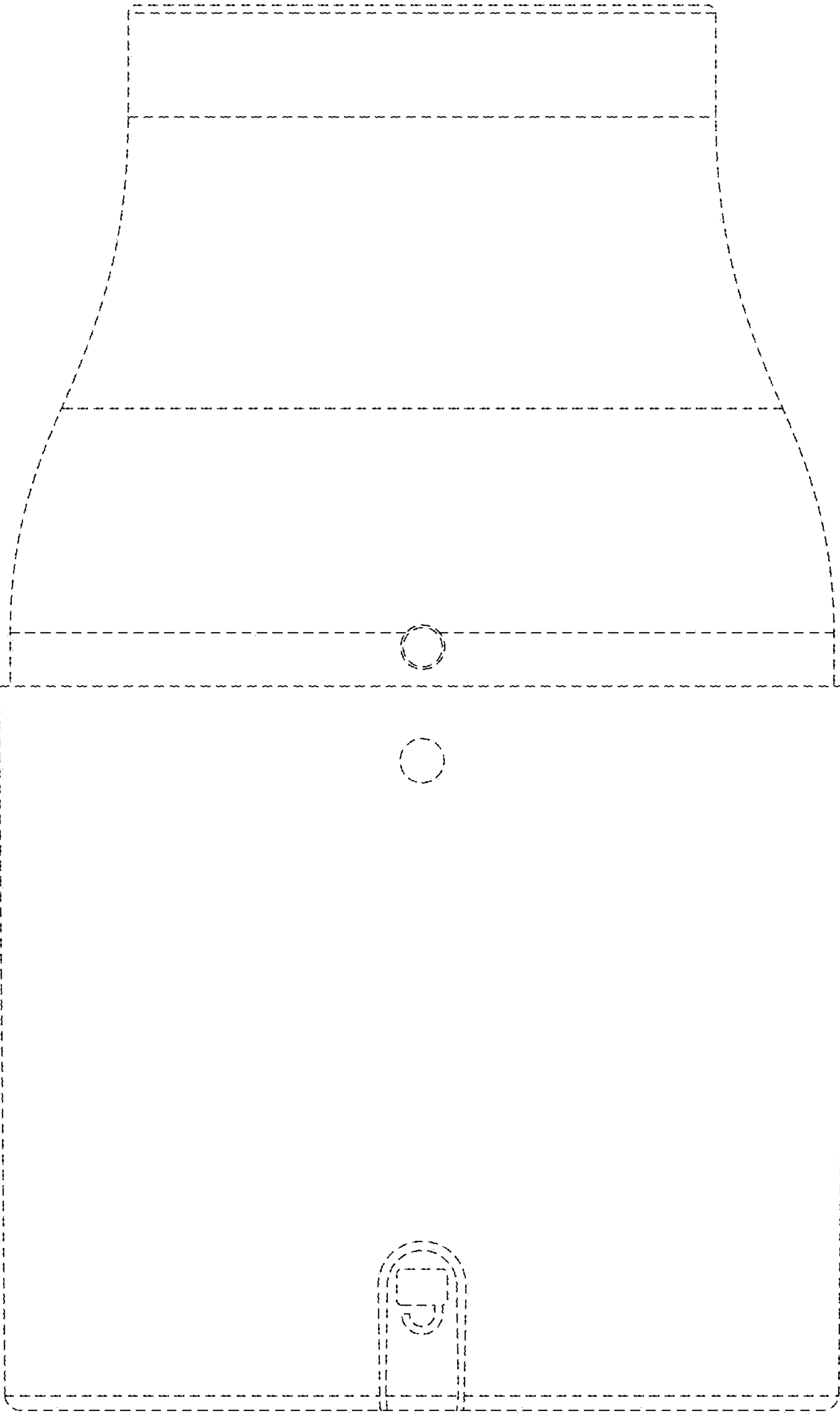


FIG. 6

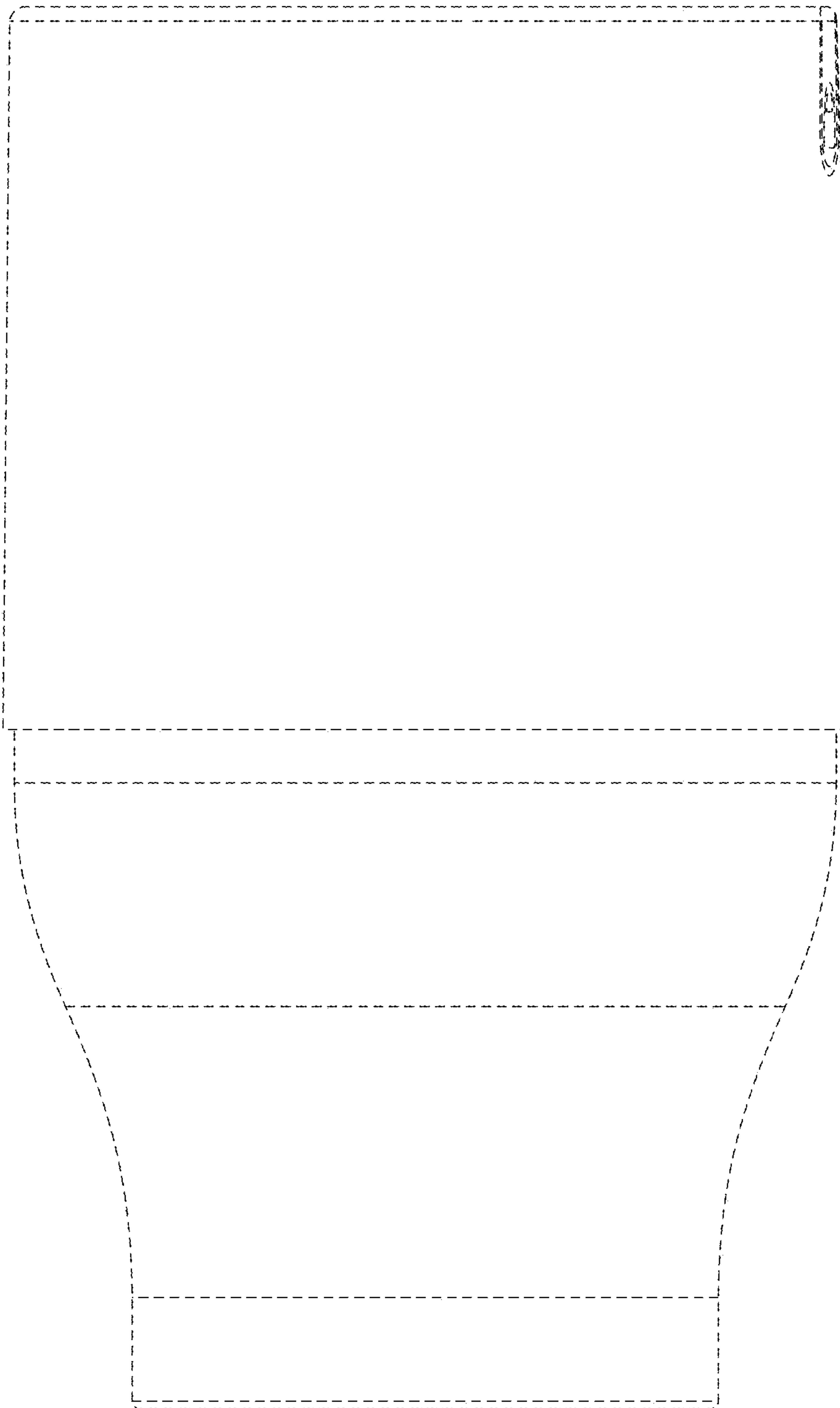


FIG. 7