



US00D980799S

(12) **United States Design Patent**  
**Du**

(10) **Patent No.:** **US D980,799 S**  
(45) **Date of Patent:** **\*\* Mar. 14, 2023**

- (54) **EARPHONE CHARGING CASE**
- (71) Applicant: **DONGGUAN PINMI ELECTRONIC TECHNOLOGY CO., LTD.**,  
Dongguan (CN)
- (72) Inventor: **Zhanyuan Du**, Kaifeng (CN)
- (73) Assignee: **DONGGUAN PINMI ELECTRONIC TECHNOLOGY CO., LTD.**,  
Dongguan (CN)

- (\*\*) Term: **15 Years**
- (21) Appl. No.: **29/849,918**
- (22) Filed: **Aug. 16, 2022**

(30) **Foreign Application Priority Data**

Jul. 7, 2022 (CN) ..... 202230428457.8

- (51) **LOC (14) Cl.** ..... **13-02**
- (52) **U.S. Cl.**  
USPC ..... **D13/108**

(58) **Field of Classification Search**

USPC ..... D13/107-108, 110, 118-119, 184, 199;  
D14/251, 253, 432, 434, 447; D3/201,  
D3/205, 208, 218, 273, 294  
CPC .. H02J 7/025; H02J 7/005; H02J 50/00; H02J  
50/10; H02J 50/12; H02J 50/80; H02J  
7/02; H02J 7/0026; H02J 7/0042; H02J  
7/0044; H02J 7/0045; H02J 7/0013; H02J  
7/0003; A45C 2011/001; A45C 2011/002;  
A45C 2011/003

See application file for complete search history.

(56) **References Cited**

**U.S. PATENT DOCUMENTS**

- D878,048 S \* 3/2020 Wang ..... D3/294
- D902,588 S \* 11/2020 Zhang ..... D3/294
- D904,025 S \* 12/2020 Ma ..... D3/294
- D911,027 S \* 2/2021 Liang ..... D3/274

- D912,622 S \* 3/2021 Zhou ..... D3/294
- D918,138 S \* 5/2021 Ma ..... D3/294
- D922,946 S \* 6/2021 Chen ..... D3/294
- D927,417 S \* 8/2021 Sretovic ..... D3/294
- D927,465 S \* 8/2021 Wang ..... D14/223
- D930,361 S \* 9/2021 Jacobs ..... D3/294
- D932,428 S \* 10/2021 Reimann ..... D3/294
- D934,563 S \* 11/2021 Xiang ..... D3/294

(Continued)

**OTHER PUBLICATIONS**

“Alquar Case for Indy Evo, Case Cover for Indy Evo, Anti-Lost/ Shockproof/Waterproof/LED Visible, Indy Evo True(Model:S2IVW) Wireless in-Ear Earbud Silicone Case Cover with Keychain—Blue”, Amazon.com, first available on Aug. 11, 2020. Retrieved from the internet: <<https://www.amazon.com/Alquar-Anti-Lost-Shockproof-Waterproof-Wireless/dp/B08FMJBCN4/?th=1>> (Year: 2020).\*

*Primary Examiner* — Rosemary K Tarcza

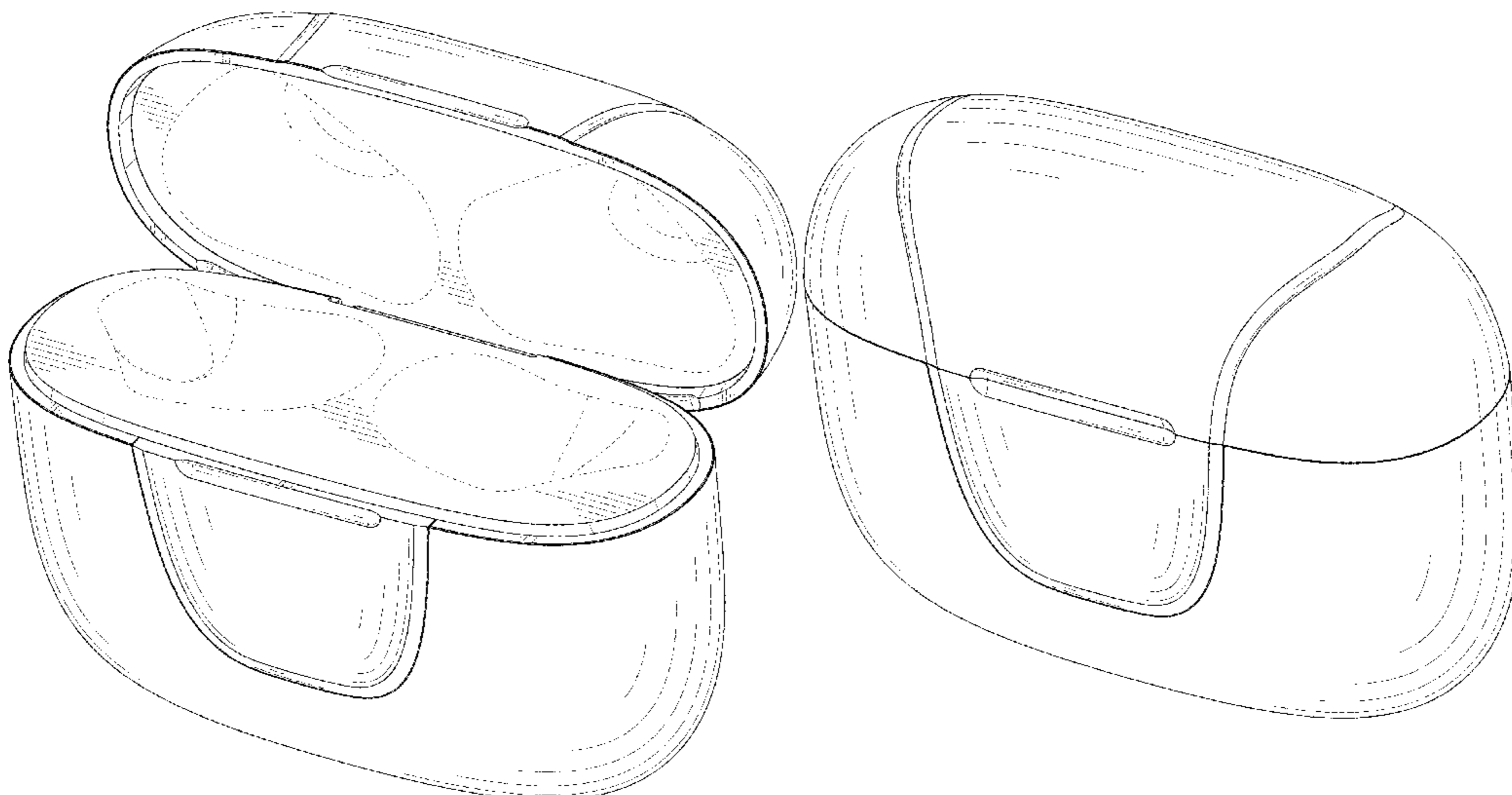
(57) **CLAIM**

The ornamental design for an earphone charging case, as shown and described.

**DESCRIPTION**

FIG. 1 is a perspective view of an earphone charging case showing my new design;  
 FIG. 2 is another perspective view thereof;  
 FIG. 3 is a front elevational view thereof;  
 FIG. 4 is a rear elevational view thereof;  
 FIG. 5 is a left side elevational view thereof;  
 FIG. 6 is a right side elevational view thereof;  
 FIG. 7 is a top plan view thereof;  
 FIG. 8 is a bottom plan view thereof; and,  
 FIG. 9 is a perspective view of the earphone charging case where the earphone charging case is in a closed state.  
 The broken lines in the drawings depict portions of the earphone charging case that form no part of the claimed design.

**1 Claim, 9 Drawing Sheets**



(56)

**References Cited**

U.S. PATENT DOCUMENTS

D935,772 S \* 11/2021 Chen ..... D3/294  
D942,386 S 2/2022 Chen  
D942,387 S \* 2/2022 Chen ..... D3/294  
D946,517 S \* 3/2022 Zhang ..... D14/223  
D950,488 S \* 5/2022 Ruan ..... D3/294  
D952,609 S \* 5/2022 Akana ..... D14/223  
D953,265 S \* 5/2022 Birger ..... D14/223  
D955,983 S 6/2022 Ma et al.  
D955,986 S \* 6/2022 Klein ..... D13/108  
D958,532 S \* 7/2022 Ekman ..... D3/294  
D959,368 S \* 8/2022 Ando ..... D13/108  
D961,508 S \* 8/2022 Zhang ..... D14/223  
D971,833 S \* 12/2022 Akana ..... D3/274  
2021/0085047 A1 \* 3/2021 Wright ..... A45C 13/02  
2022/0183434 A1 \* 6/2022 Tsai ..... H04R 1/1025

\* cited by examiner

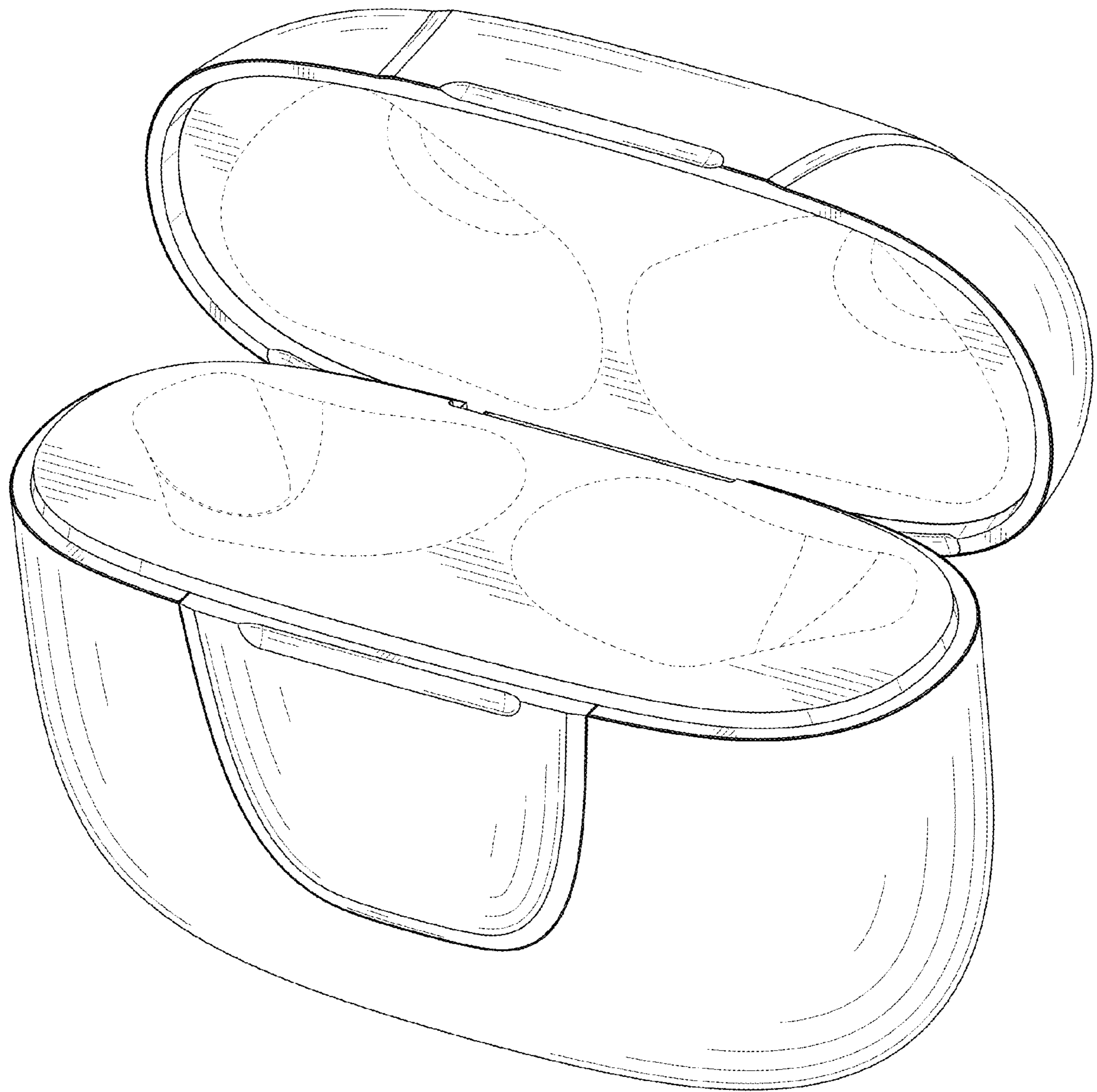


FIG. 1

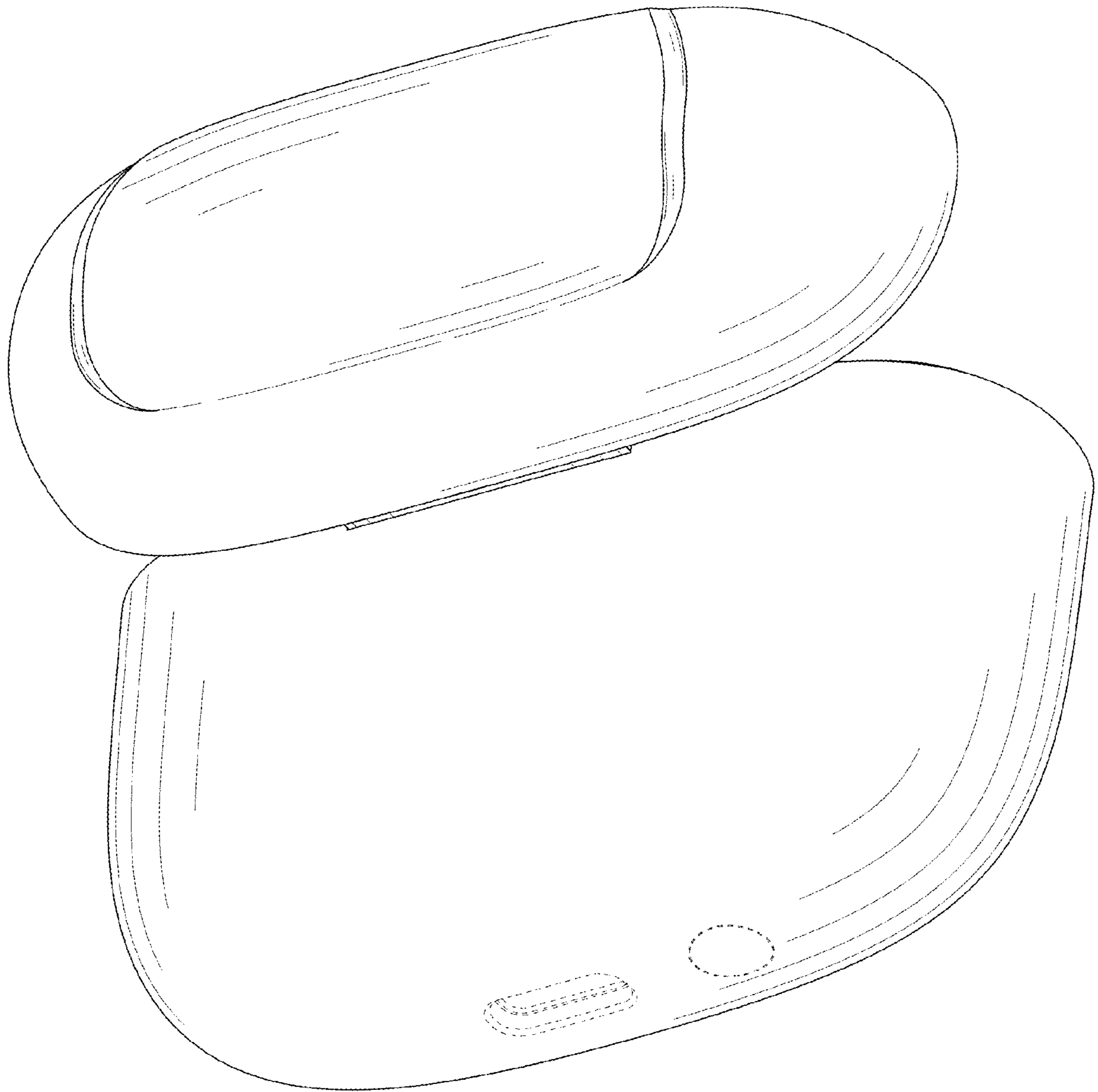


FIG. 2

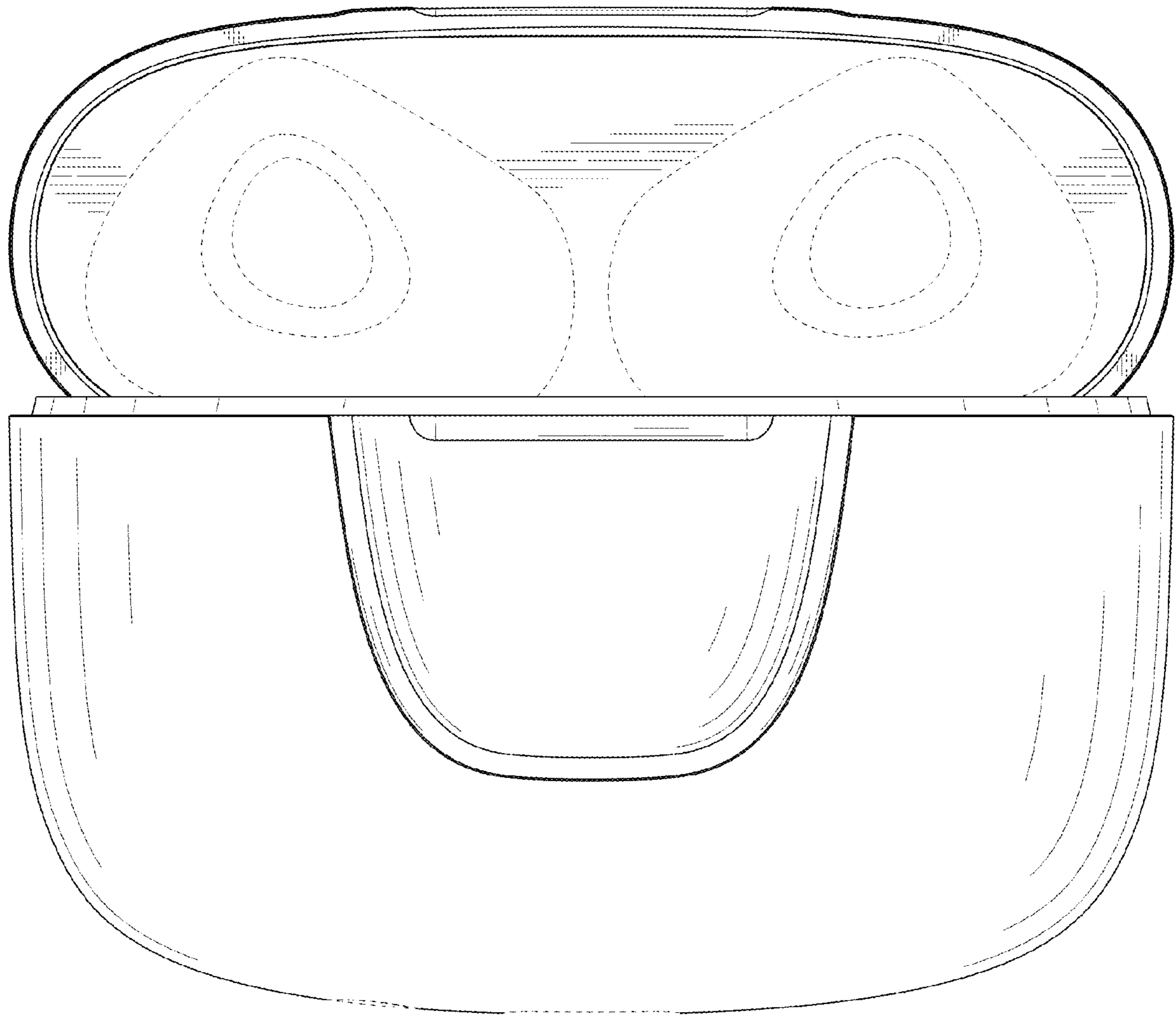


FIG. 3

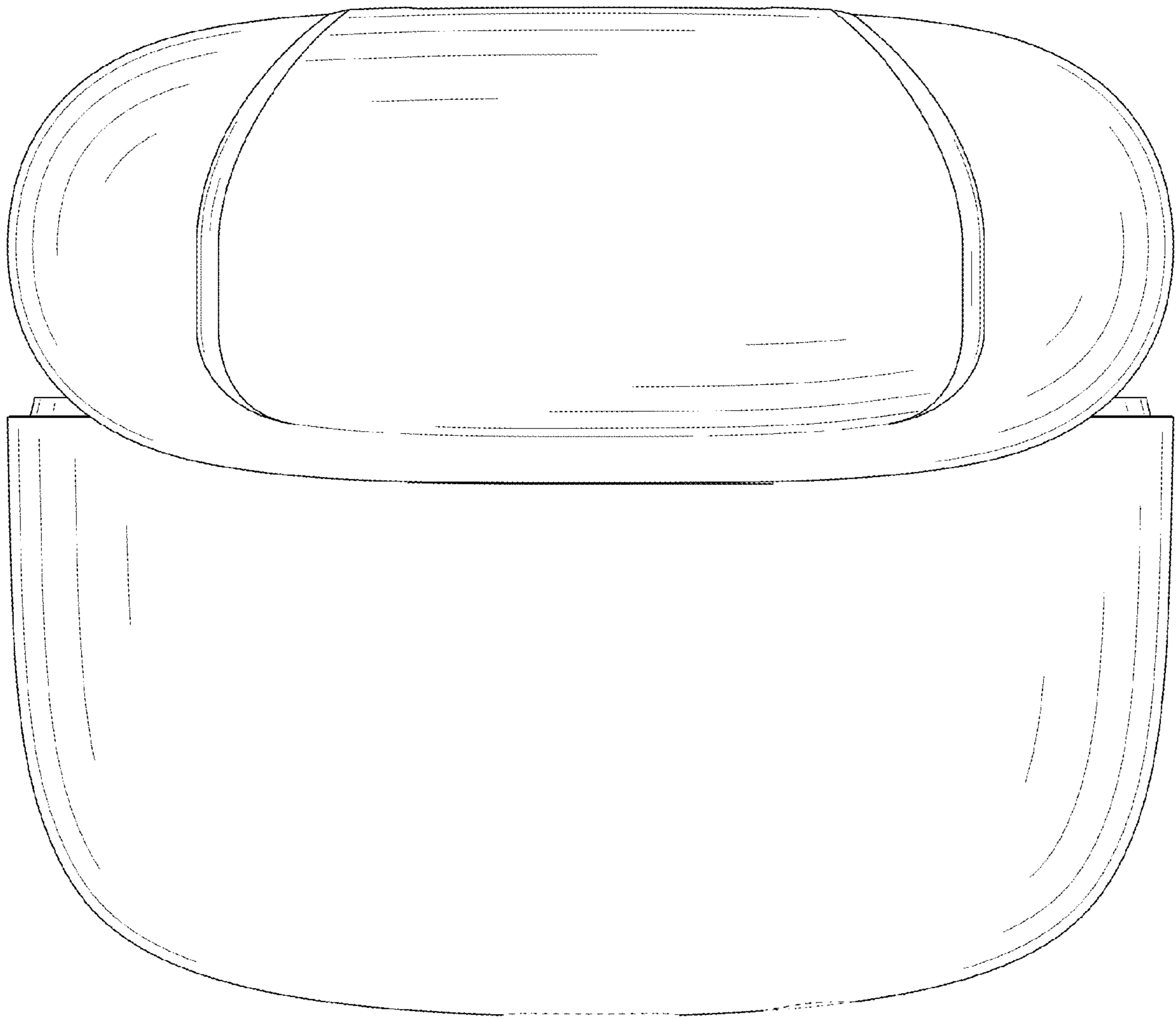


FIG. 4

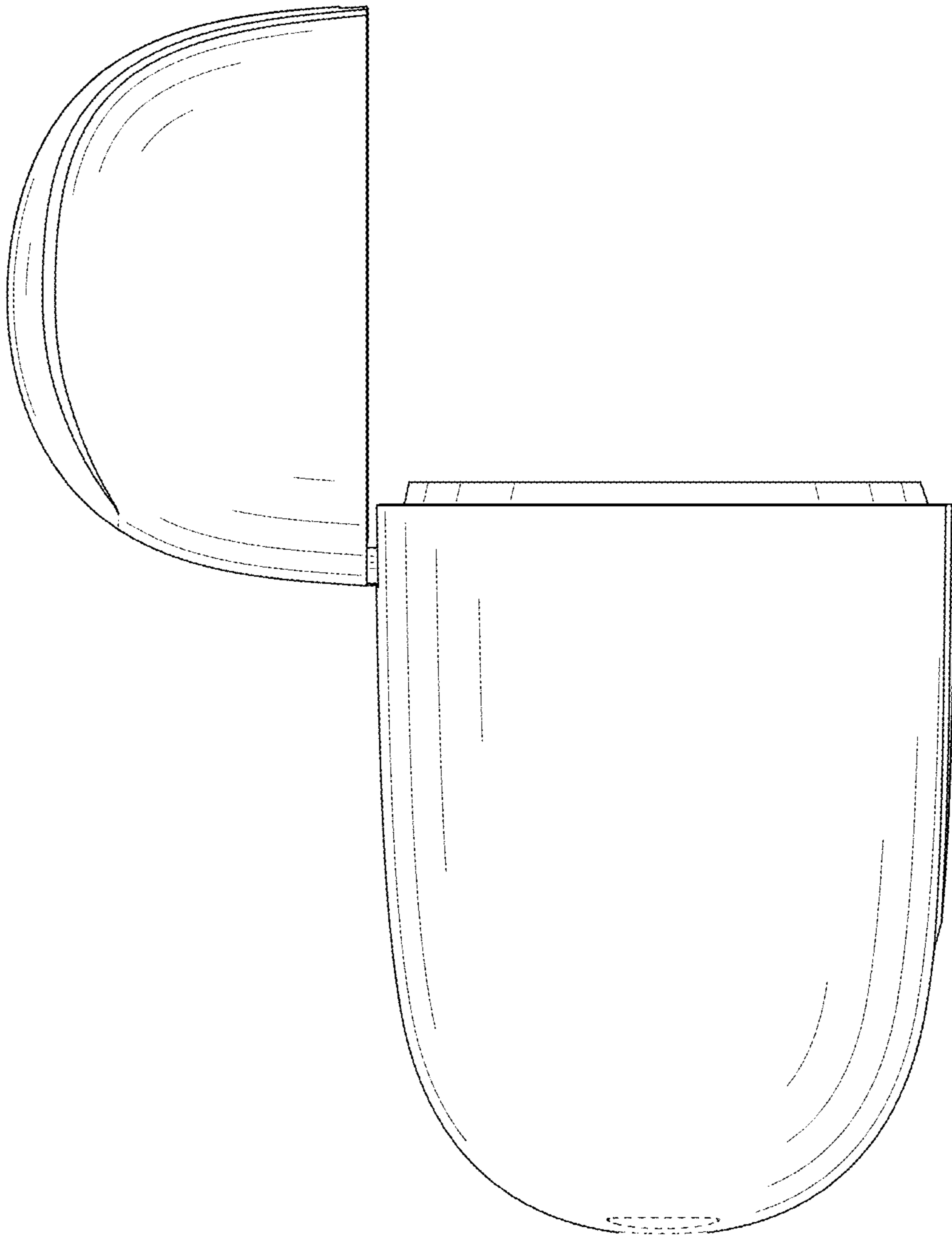


FIG. 5

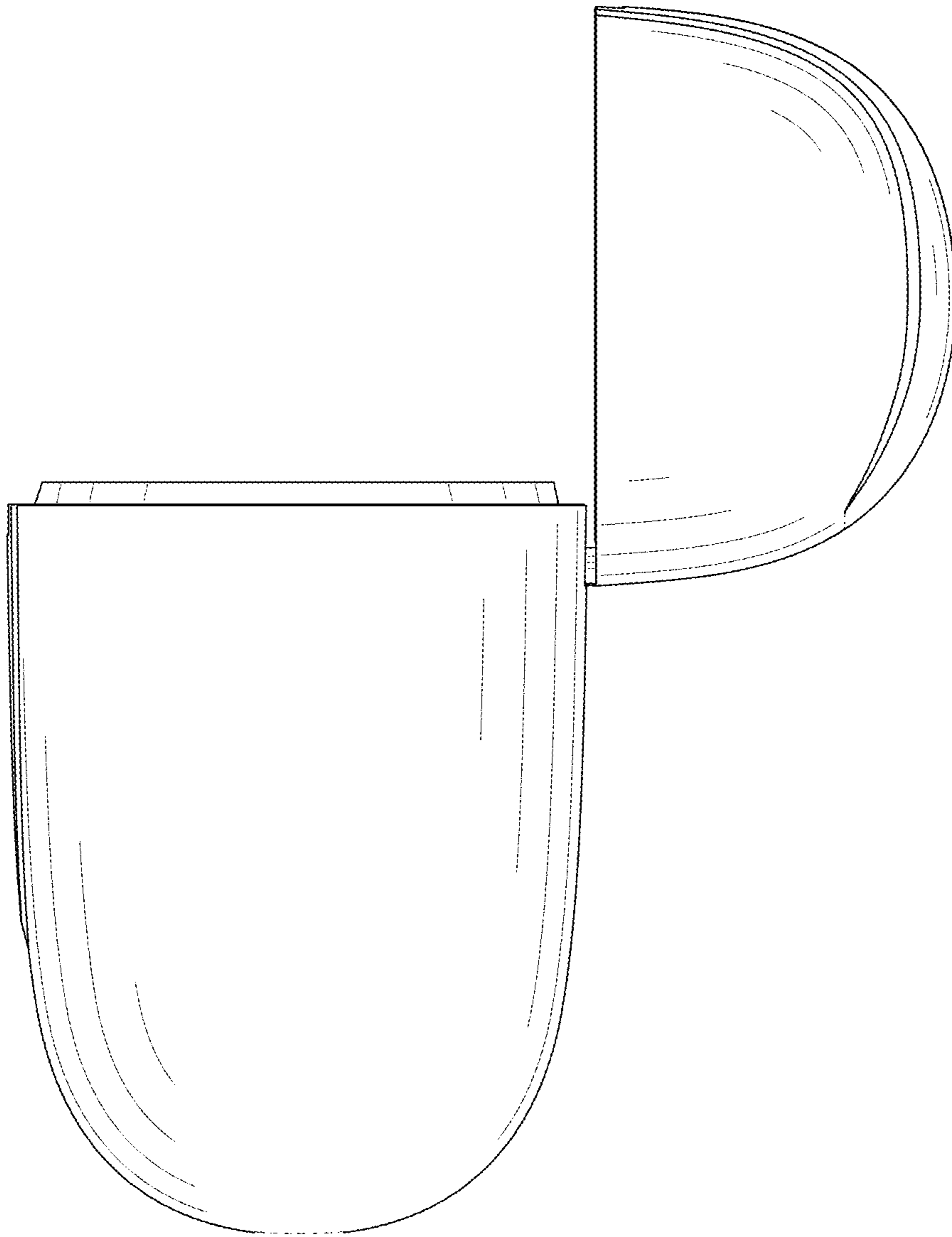


FIG. 6



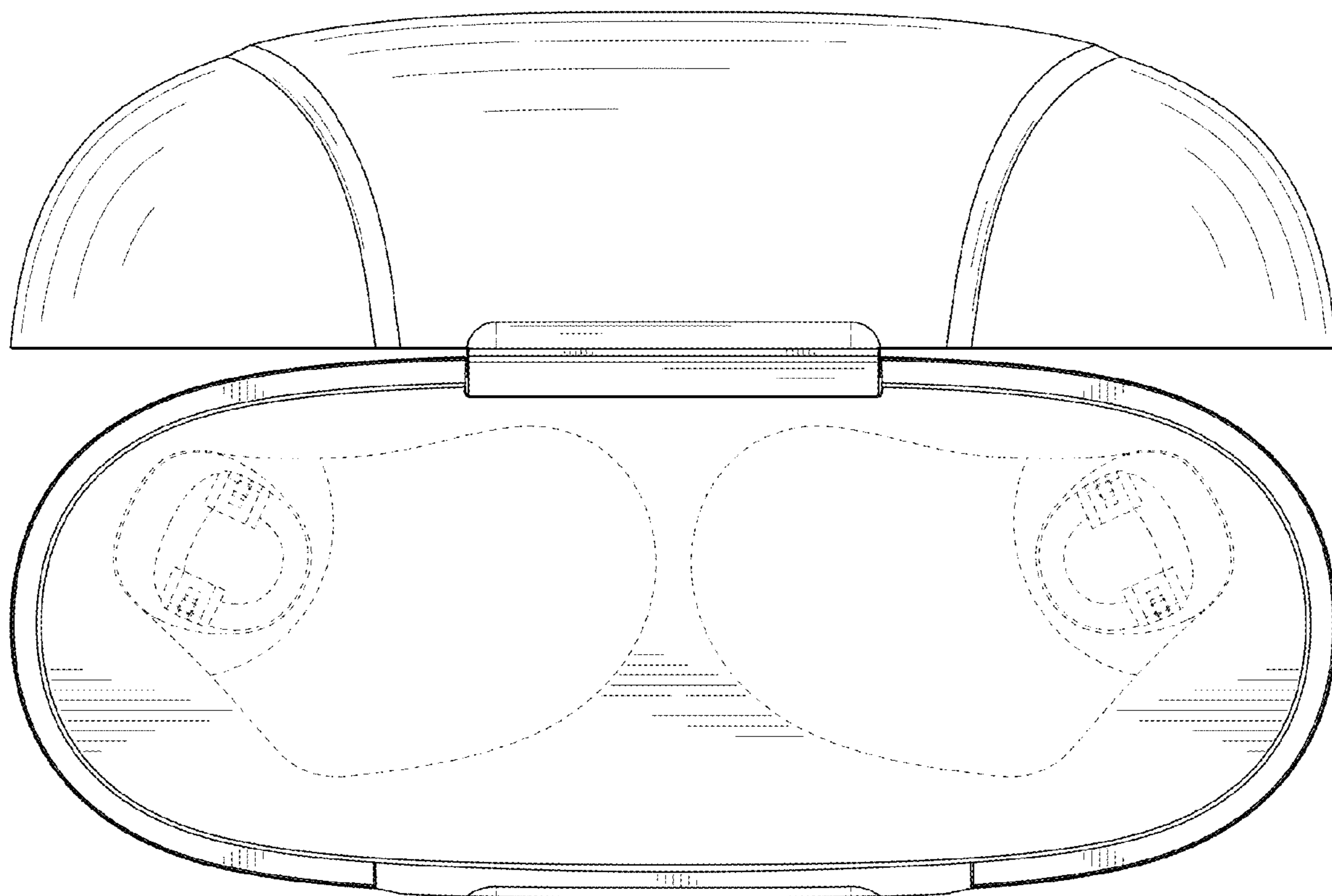


FIG. 7

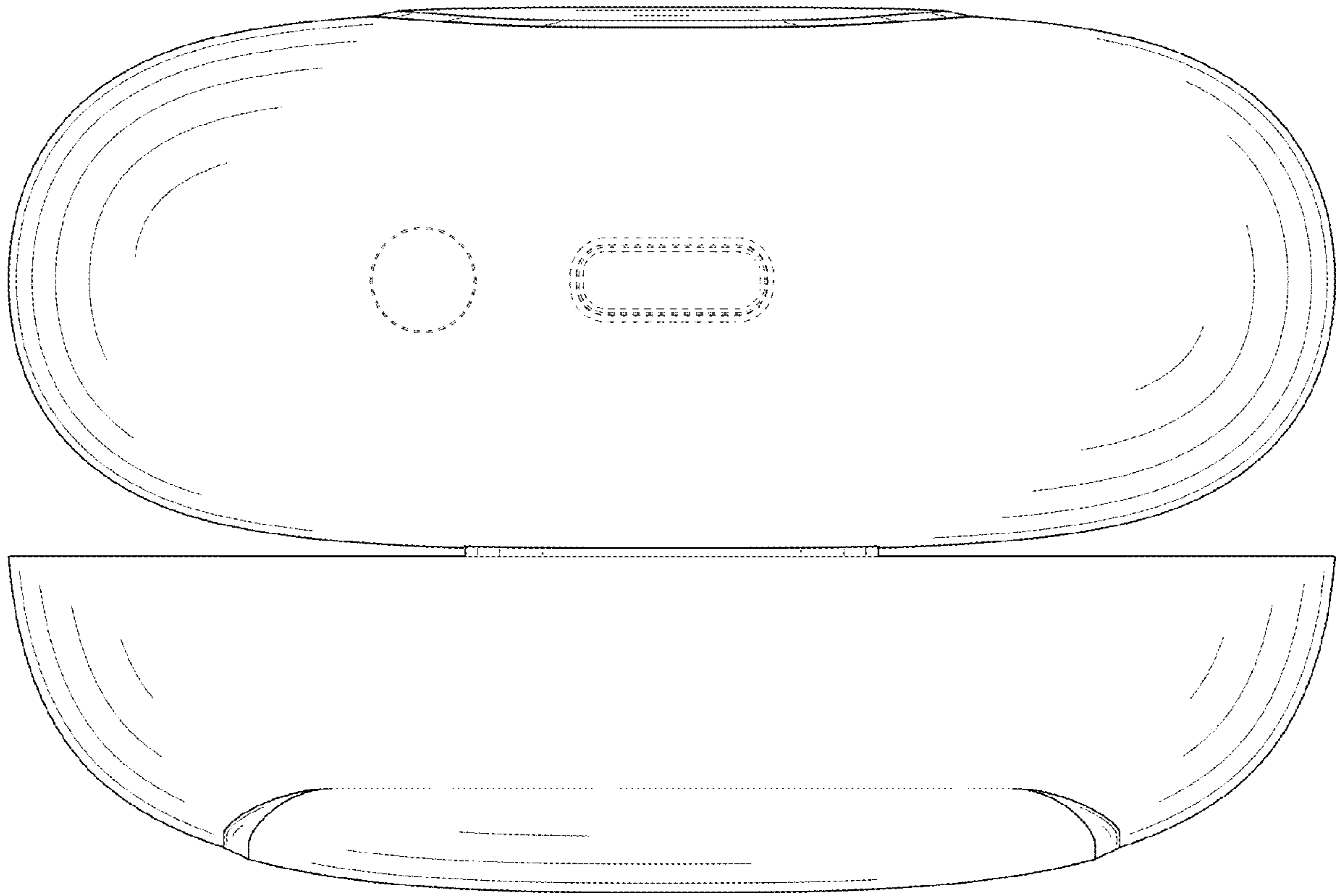


FIG. 8

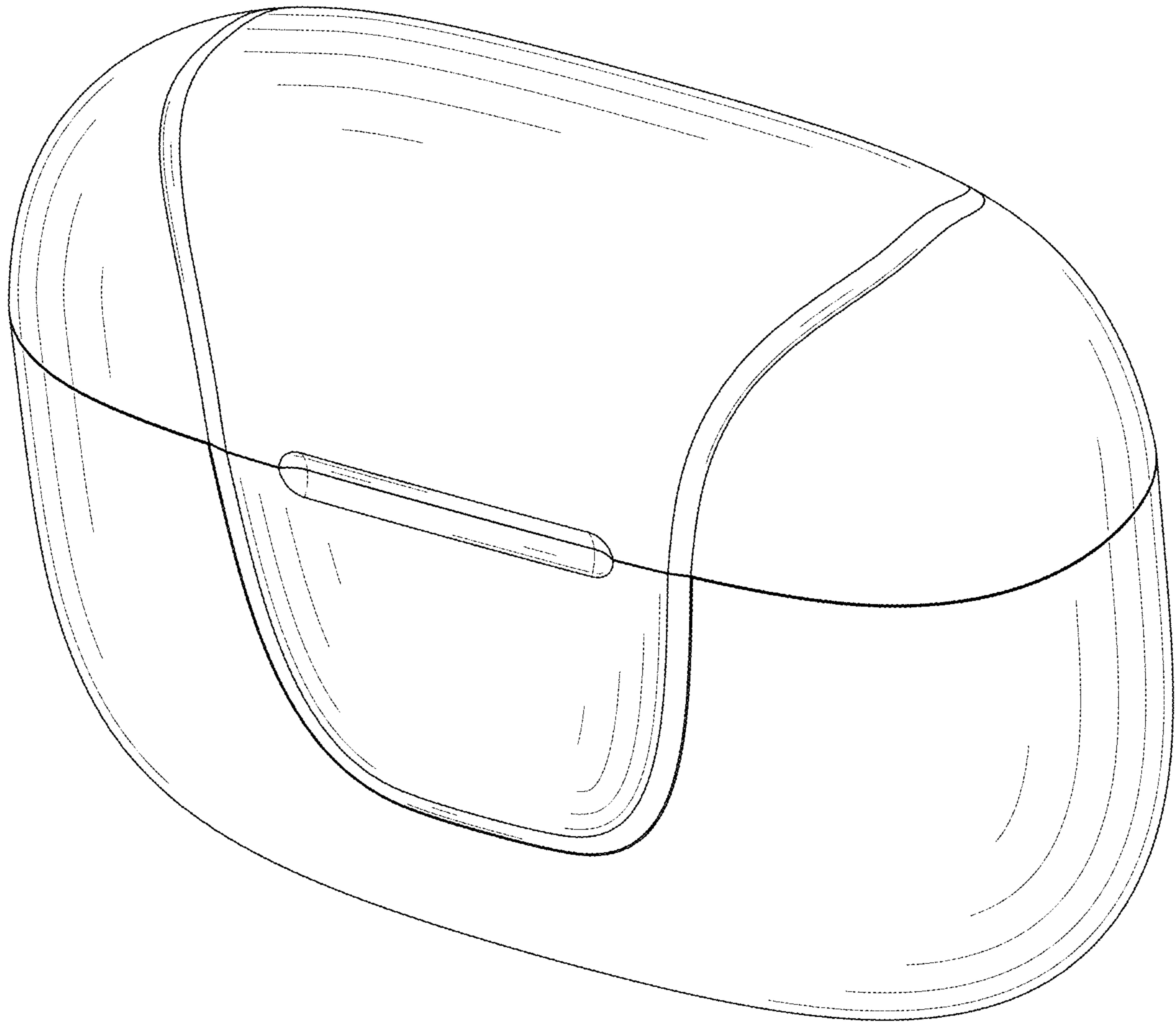


FIG. 9