



US00D980797S

(12) **United States Design Patent**  
**Yin et al.**

(10) **Patent No.:** **US D980,797 S**  
(45) **Date of Patent:** **\*\* Mar. 14, 2023**

(54) **PORTABLE POWER STATION**

(71) Applicant: **SHENZHEN POWEROAK**  
**NEWENER CO., LTD**, Shenzhen (CN)

(72) Inventors: **Xiangzhu Yin**, Shenzhen (CN); **Gang Wang**, Shenzhen (CN); **Mianzhi Wu**, Shenzhen (CN)

(73) Assignee: **SHENZHEN POWEROAK**  
**NEWENER CO., LTD.**, Guangdong (CN)

(\*\*) Term: **15 Years**

(21) Appl. No.: **29/774,707**

(22) Filed: **Mar. 18, 2021**

(30) **Foreign Application Priority Data**

Sep. 28, 2020 (CN) ..... 202030584420.5

(51) **LOC (14) Cl.** ..... **13-02**

(52) **U.S. Cl.**  
USPC ..... **D13/108**

(58) **Field of Classification Search**  
USPC ..... D13/103, 106, 107, 108, 109, 110, 112,  
D13/114, 116, 119, 184; D24/232  
CPC ..... H01M 10/46; H02J 7/0044; H02J 7/0013;  
H02J 7/0014; H02J 7/0019; F02B 63/04  
See application file for complete search history.

(56) **References Cited**

**U.S. PATENT DOCUMENTS**

D511,139 S	*	11/2005	Xiao	.....	D13/116
D641,318 S	*	7/2011	Maeda	.....	D13/116
D711,319 S	*	8/2014	Wilcox	.....	D13/116
D712,834 S	*	9/2014	Munro	.....	D13/116
D802,530 S	*	11/2017	Adams	.....	D13/109

(Continued)

**FOREIGN PATENT DOCUMENTS**

CN 302680398 \* 12/2013  
JP D1632367 \* 5/2019

(Continued)

**OTHER PUBLICATIONS**

Bluetti, announced on Jan. 25, 2022 [online], retrieved on Jun. 30, 2022, retrieved from internet, [https://www.amazon.com/dp/B09R4NB4YB/ref=sspa\\_dk\\_detail\\_0?pd\\_rd\\_i=B09R4NB4YB](https://www.amazon.com/dp/B09R4NB4YB/ref=sspa_dk_detail_0?pd_rd_i=B09R4NB4YB) (Year: 2022).\*

(Continued)

*Primary Examiner* — Messina L Smith

*Assistant Examiner* — Noah Perez

(74) *Attorney, Agent, or Firm* — Carter, DeLuca & Farrell LLP; George Likourezos

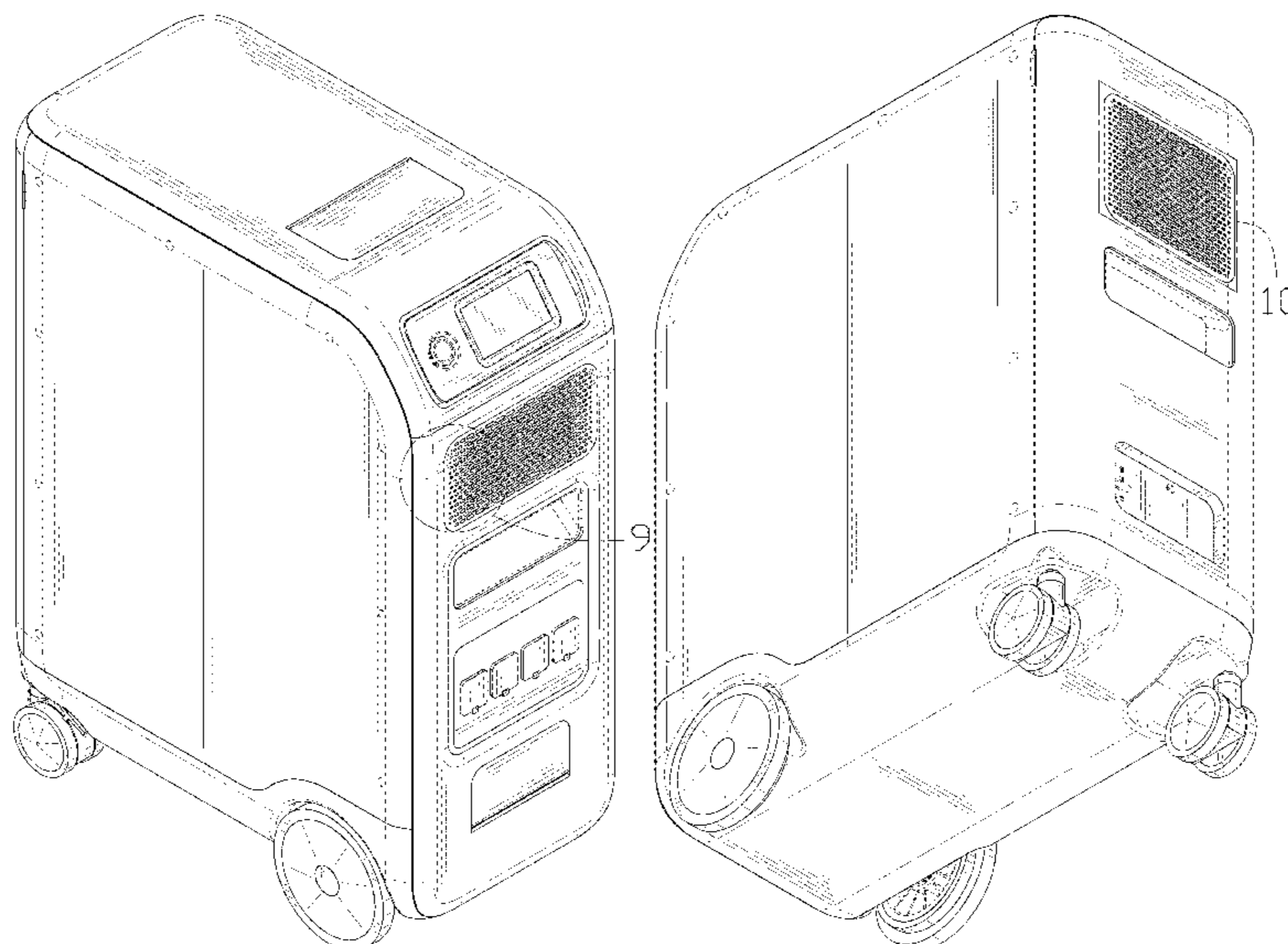
(57) **CLAIM**

The ornamental design for a portable power station, as shown and described.

**DESCRIPTION**

FIG. 1 is a front, perspective view of a portable power station showing our new design;  
FIG. 2 is a rear, perspective view thereof;  
FIG. 3 is a front, elevational view thereof;  
FIG. 4 is a rear, elevational view thereof;  
FIG. 5 is a left, side elevational view thereof;  
FIG. 6 is a right, side elevational view thereof;  
FIG. 7 is a top plan view thereof;  
FIG. 8 is a bottom plan view thereof;  
FIG. 9 is an enlarged view of the area “9” shown in FIG. 1; and,  
FIG. 10 is an enlarged view of the area “10” shown in FIG. 2.  
The broken lines in the drawings depict portions of the portable power station that form no part of the claimed design.

**1 Claim, 10 Drawing Sheets**



(56)

**References Cited**

U.S. PATENT DOCUMENTS

D812,561 S \* 3/2018 Inskip ..... D15/9  
 D834,517 S \* 11/2018 Fritz ..... D13/116  
 D870,042 S \* 12/2019 Chen ..... D13/110  
 D873,771 S \* 1/2020 Koshiishi ..... D13/116  
 D875,037 S \* 2/2020 Hung ..... D13/110  
 D877,062 S \* 3/2020 Yin ..... D13/102  
 D920,234 S \* 5/2021 Ishida ..... D13/108  
 D934,797 S \* 11/2021 Su ..... D13/103  
 D942,391 S \* 2/2022 Yin ..... D13/110

FOREIGN PATENT DOCUMENTS

JP D1709393 \* 3/2022  
 JP D1714911 \* 5/2022

OTHER PUBLICATIONS

EF Ecoflow, announced on Dec. 2, 2021 [online], retrieved on Jun. 30, 2022, retrieved from internet, <https://www.amazon.com/EF-ECOFLOW-Portable-Expandable-Generator/dp/B09MVJP7MV?th=1> (Year: 2021).\*

Bluetti, announced on Mar. 23, 2021 [online], retrieved on Jul. 13, 2022, retrieved from internet, <https://web.archive.org/web/20210323165157/https://www.kickstarter.com/projects/bluetti/bluetti-ep500-and-ep500pro-the-new-era-of-home-backup-power> (Year: 2021).\*

Bluetti, announced on Nov. 26, 2021 [online], retrieved on Jul. 13, 2022, retrieved from internet, <https://web.archive.org/web/20211126152548/https://www.bluettipower.com/products/ep500-2000w-5100wh-solar-generator> (Year: 2021).\*

\* cited by examiner

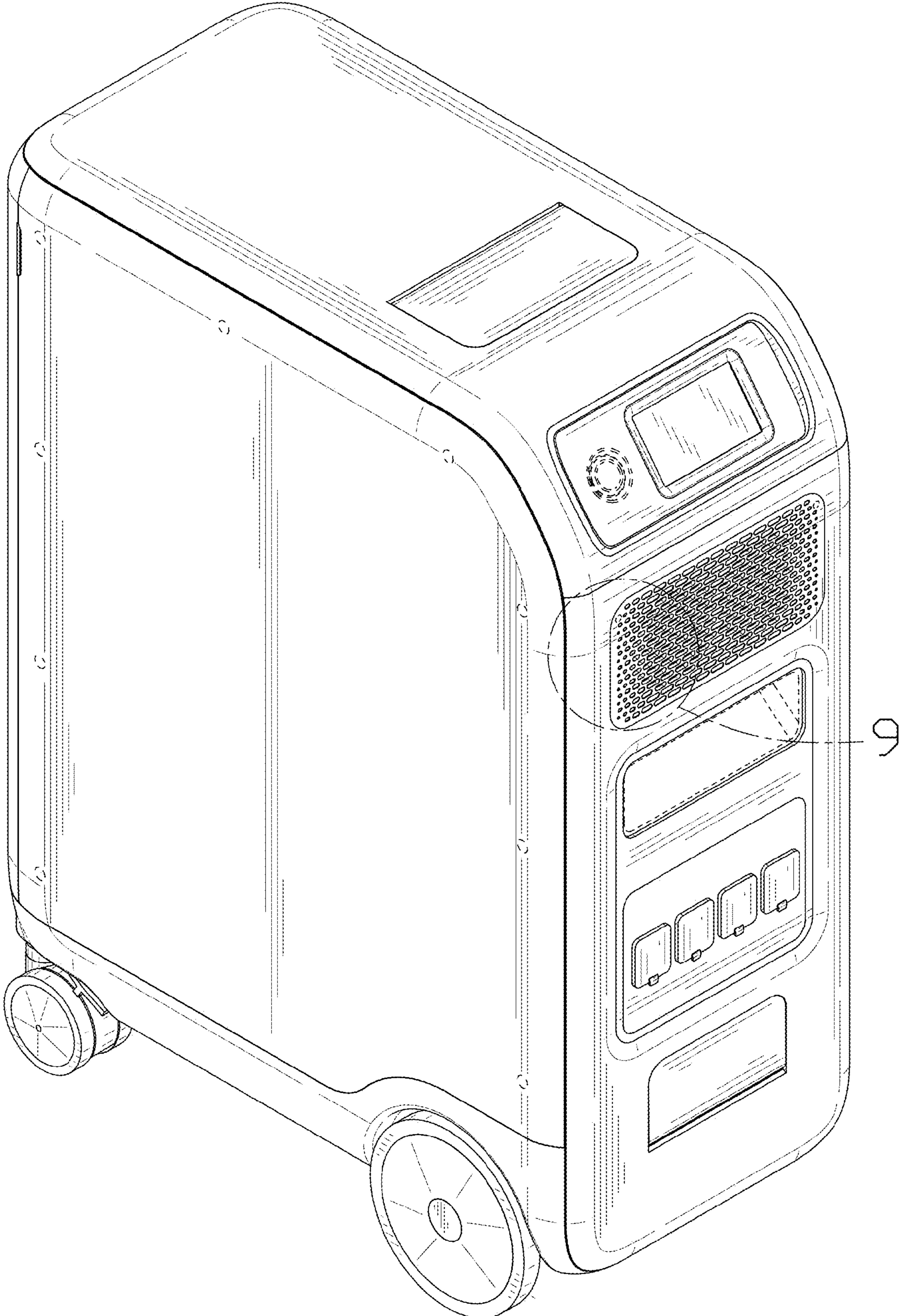


FIG. 1

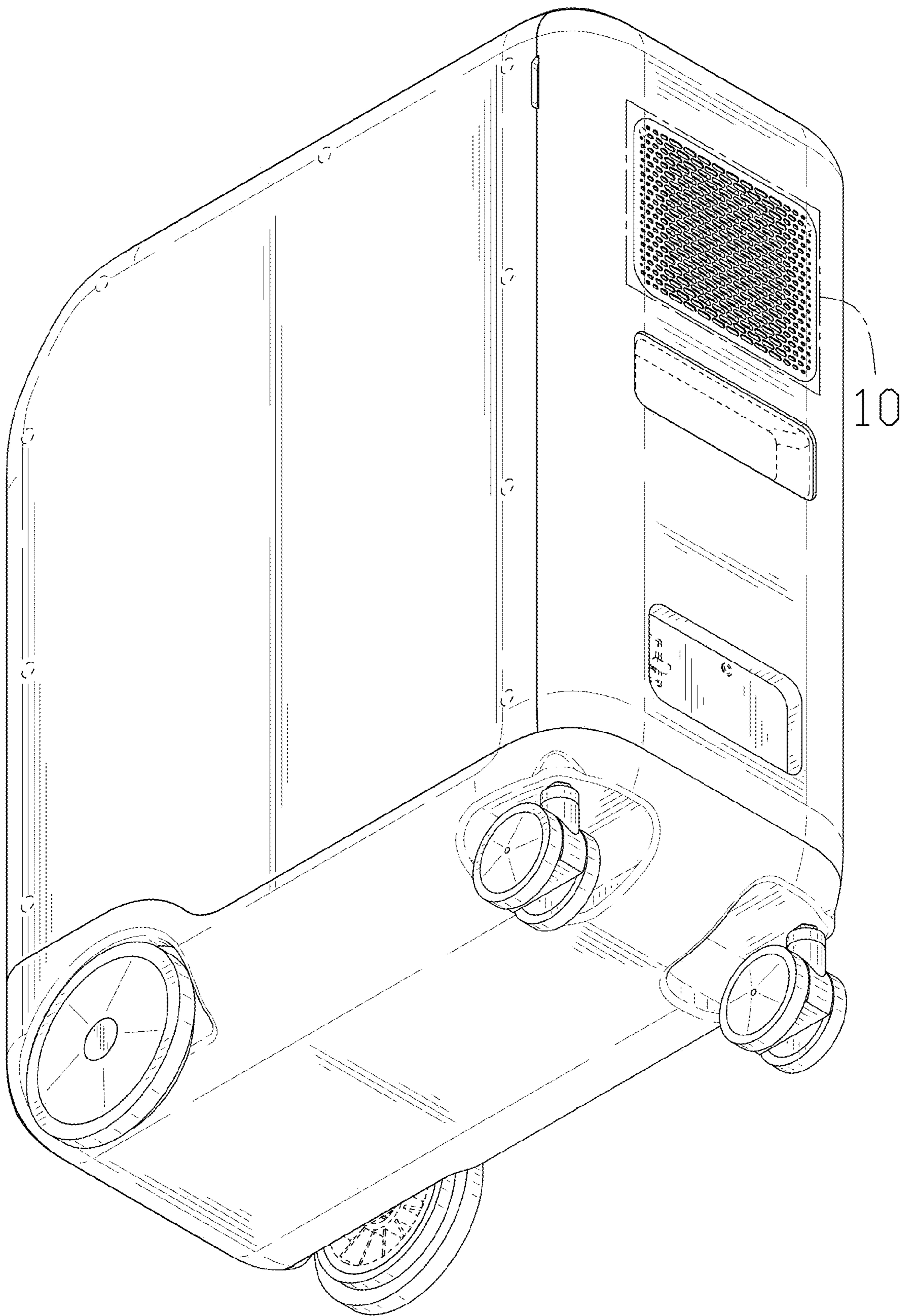


FIG. 2

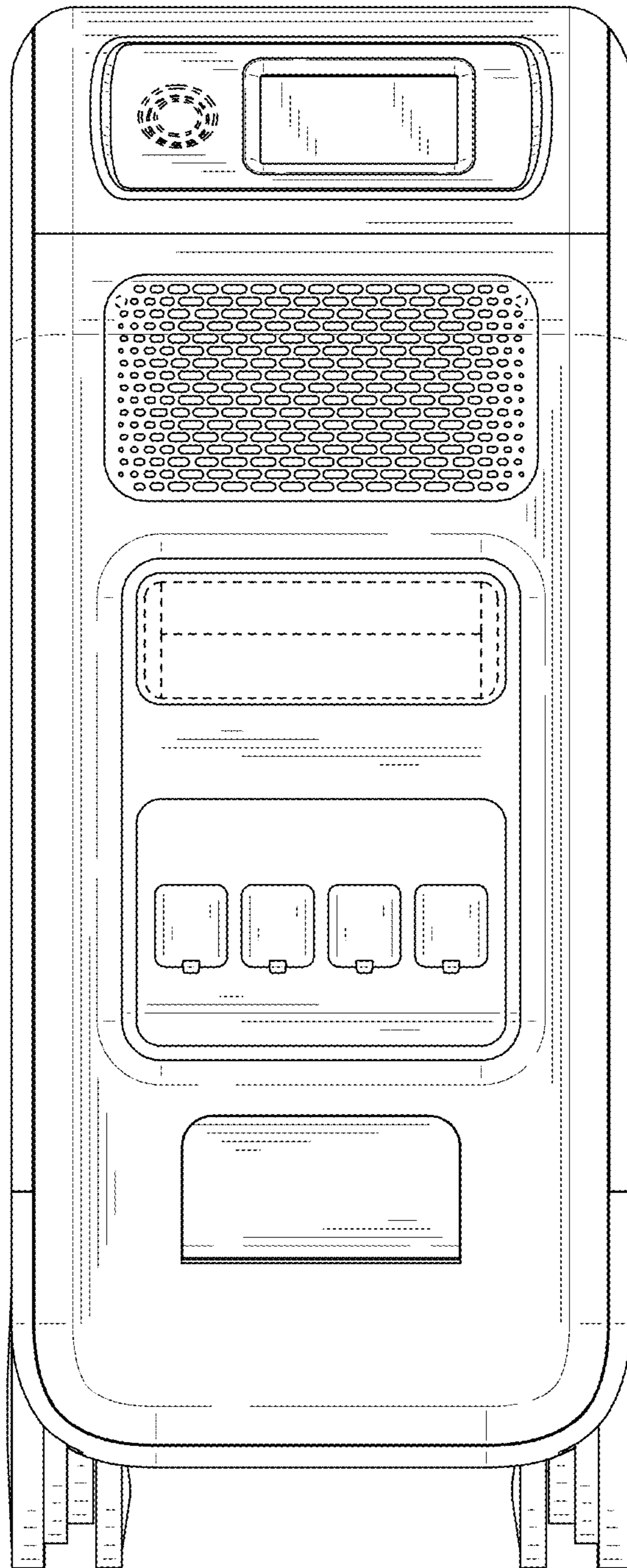


FIG. 3

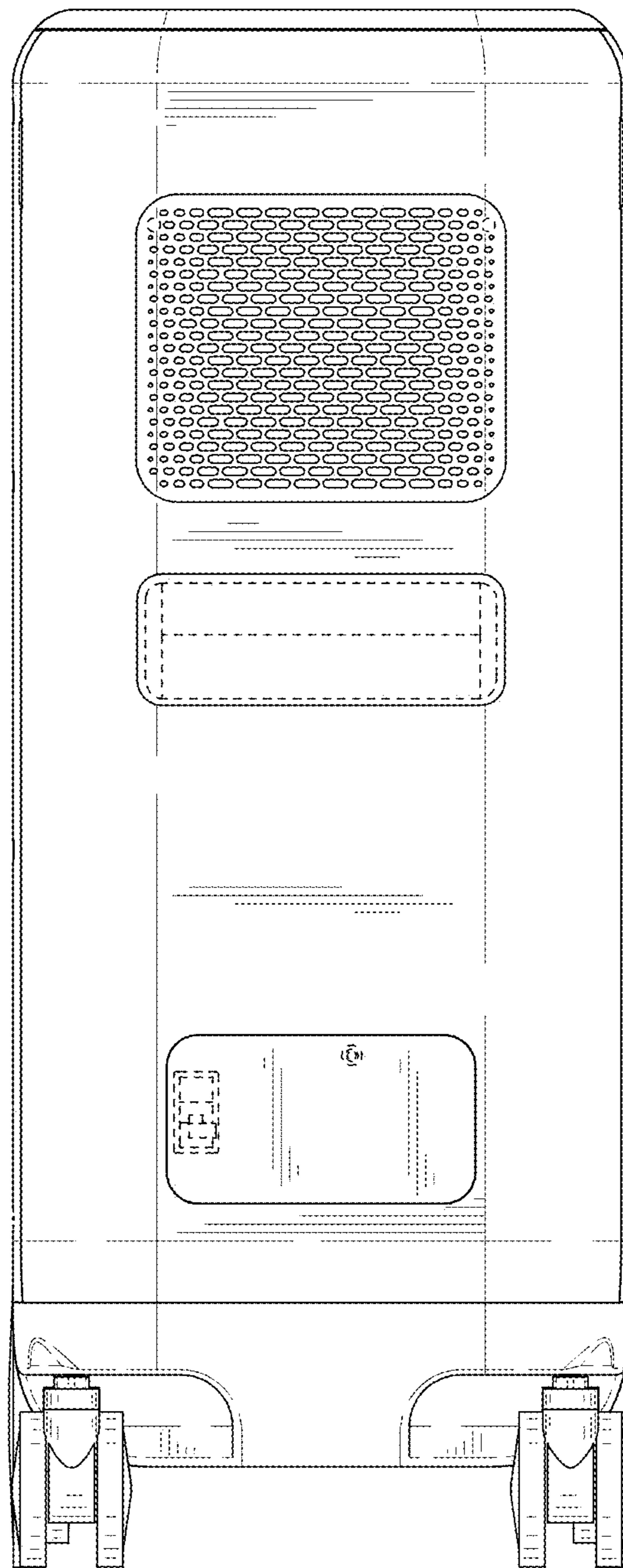


FIG. 4

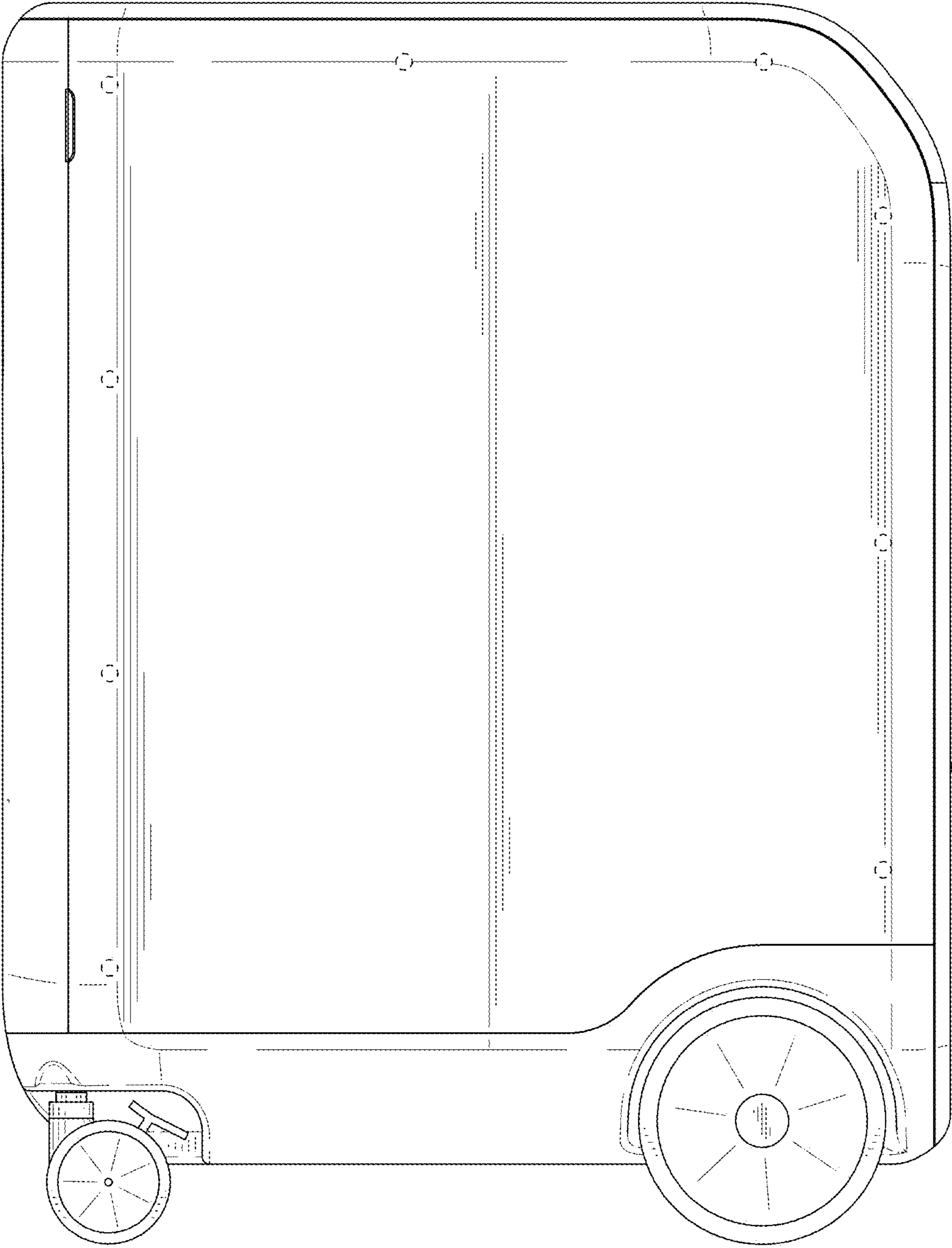


FIG. 5

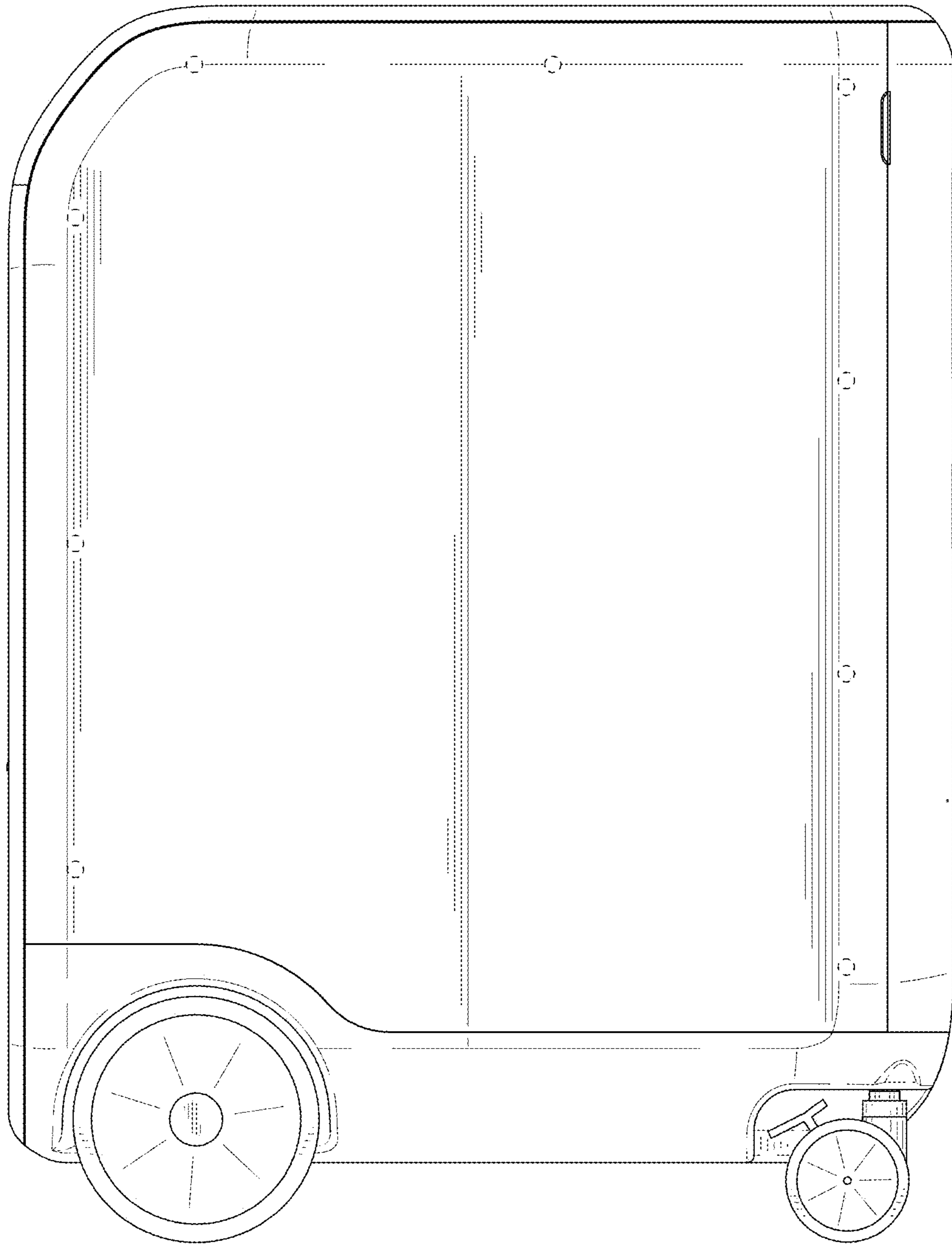


FIG. 6



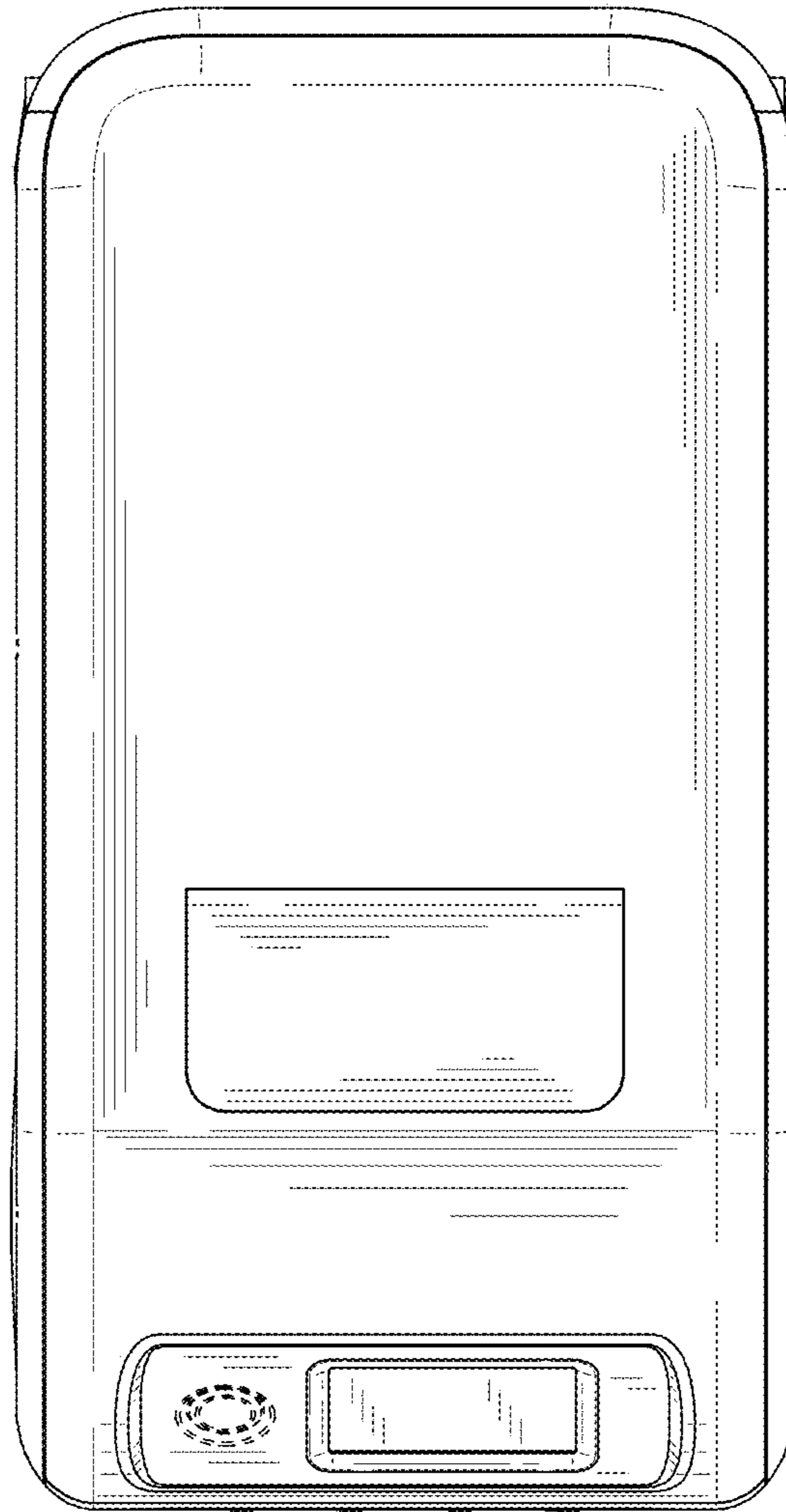


FIG. 7

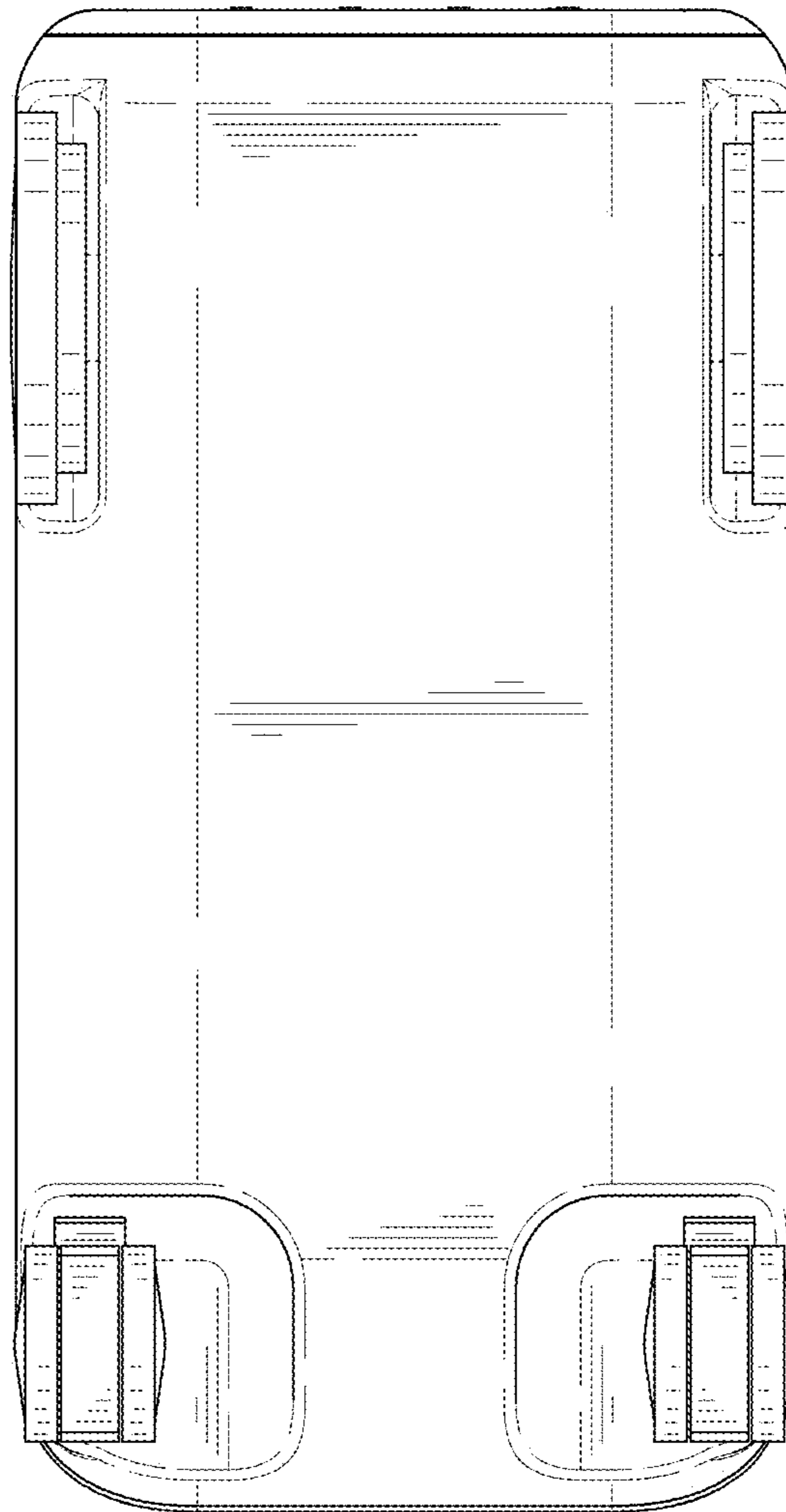


FIG. 8

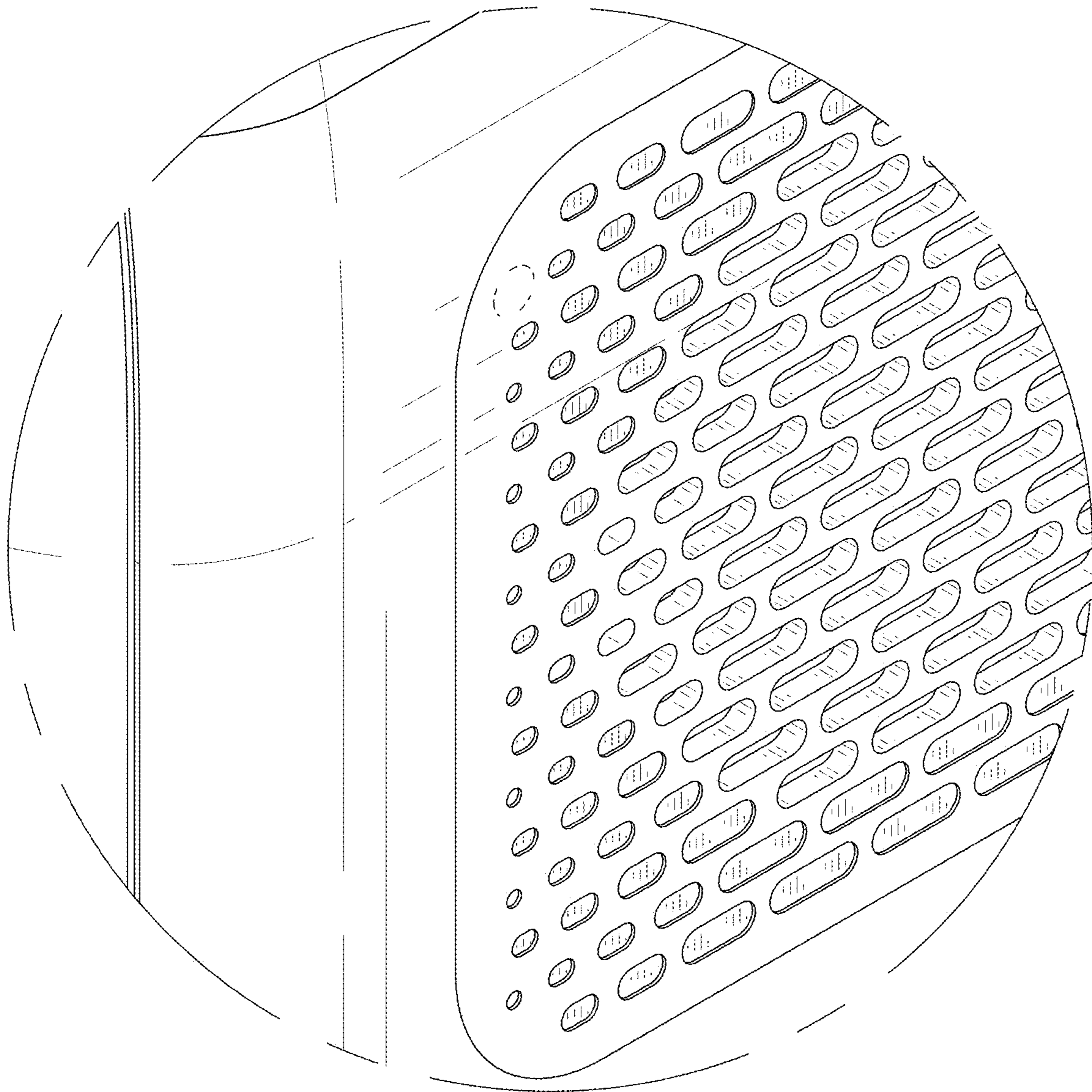


FIG. 9

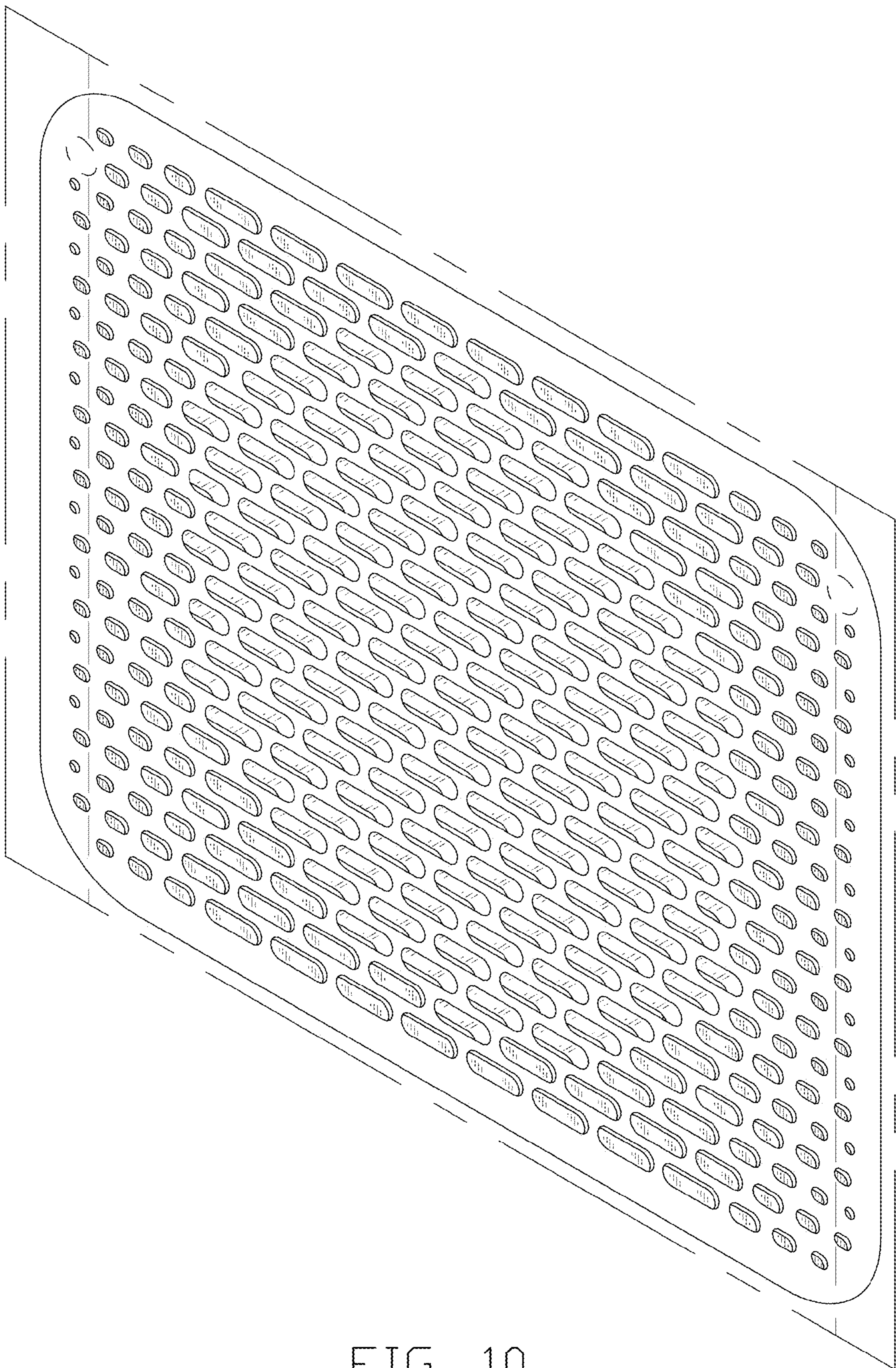


FIG. 10