



US00D980796S

(12) **United States Design Patent**  
**Tokoi**

(10) **Patent No.:** **US D980,796 S**  
(45) **Date of Patent:** **\*\* Mar. 14, 2023**

(54) **STAND FOR A VACUUM CLEANER**

FOREIGN PATENT DOCUMENTS

(71) Applicant: **Iris Ohyama Inc.**, Sendai (JP)

JP 1624333 S 2/2019

(72) Inventor: **Shohei Tokoi**, Kakuda (JP)

JP 1640526 S 9/2019

(73) Assignee: **Iris Ohyama Inc.**, Sendai (JP)

TW D198204 S 6/2019

(\*\*) Term: **15 Years**

OTHER PUBLICATIONS

(21) Appl. No.: **29/762,022**

“Iris Ohyama Vacuum Stand”. Found online May 17, 2022 at en.ruten.co.jp. Reference dated May 17, 2022. Retrieved from <https://en.ruten.co.jp/prod/1127629066>. (Year: 2022).\*

(22) Filed: **Dec. 14, 2020**

(Continued)

(30) **Foreign Application Priority Data**

*Primary Examiner* — Kendra Leslie Hamilton

Jun. 15, 2020 (JP) ..... 2020-011866 D

*Assistant Examiner* — Amanda Christensen

(51) **LOC (14) Cl.** ..... **13-02**

(74) *Attorney, Agent, or Firm* — Studebaker & Brackett PC

(52) **U.S. Cl.**

USPC ..... **D13/108**; D32/31

(58) **Field of Classification Search**

USPC ..... D13/103, 107, 108, 109, 118, 119, 184, D13/199; D14/251, 252, 253, 432, 433, D14/434, 439, 447; D32/18, 31; D34/7

CPC ..... H02J 15/00; H02J 7/0027; H01M 10/00  
See application file for complete search history.

(57) **CLAIM**

The ornamental design for a stand for a vacuum cleaner, as shown and described.

(56) **References Cited**

**DESCRIPTION**

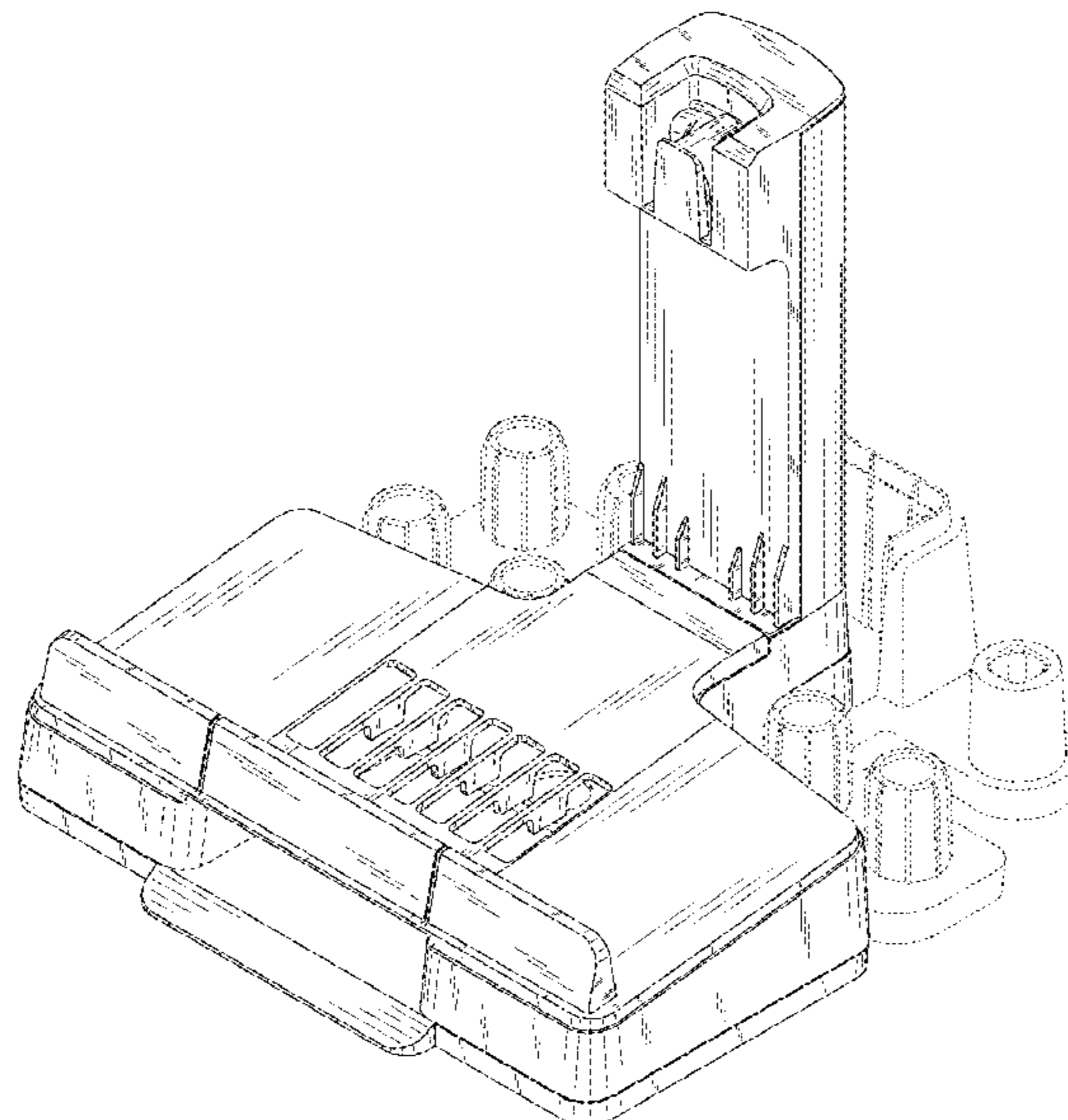
U.S. PATENT DOCUMENTS

- D551,617 S \* 9/2007 Houghton ..... D13/108
- D559,484 S \* 1/2008 Fjellman ..... D32/31
- D628,961 S \* 12/2010 Kim ..... D32/31
- 9,623,690 B2 \* 4/2017 Lyman ..... B41J 3/36
- D847,740 S \* 5/2019 Yamanouchi ..... D13/108
- D868,689 S \* 12/2019 Shor ..... D13/108
- 10,588,255 B2 \* 3/2020 Song ..... G05D 1/0276
- D896,750 S \* 9/2020 Tokoi ..... D13/108
- D897,949 S \* 10/2020 Pearce ..... D13/108
- 10,886,763 B1 \* 1/2021 Ha ..... A47L 5/24
- D923,891 S \* 6/2021 Knapp ..... D32/31
- D941,758 S \* 1/2022 Abe ..... D13/108
- D947,767 S \* 4/2022 Sieckowski ..... D13/108

FIG. 1 is a front, top and right-side perspective view of a stand for a vacuum cleaner showing my new design;  
FIG. 2 is a front view thereof;  
FIG. 3 is a rear view thereof;  
FIG. 4 is a top view thereof;  
FIG. 5 is a bottom view thereof;  
FIG. 6 is a right-side view thereof;  
FIG. 7 is a left-side view thereof; and,  
FIG. 8 is a perspective view shown in a state of use.

The broken lines on the stand for vacuum cleaner depict portions of the stand that form no part of the claimed design. In FIG. 8, the broken lines showing a vacuum cleaner and vacuum cleaner accessories depict environmental subject matter only, and form no part of the claimed design.

**1 Claim, 8 Drawing Sheets**



(56)

**References Cited**

OTHER PUBLICATIONS

“Bissell CrossWave Vacuum”. Found online May 18, 2022 at youtube.com. Reference dated May 3, 2019. Retrieved from <https://www.youtube.com/watch?v=Ehsir8IUDBk>. (Year: 2019).\*

“Roomba i7”. Found online Jan. 10, 2022 at slashgear.com. Reference dated Sep. 6, 2018. Retrieved from <https://www.slashgear.com/irobots-self-emptying-roomba-i7-fixes-robot-vacuums-big-headache-06544635/>. (Year: 2018).\*

An Office Action issued by Taiwan Intellectual Property Office on Apr. 22, 2021, which corresponds to Taiwanese Design U.S. Appl. No. 29/762,022 and is related to Design U.S. Appl. No. 29/762,022 with English language Concise Explanation.

\* cited by examiner

FIG.1

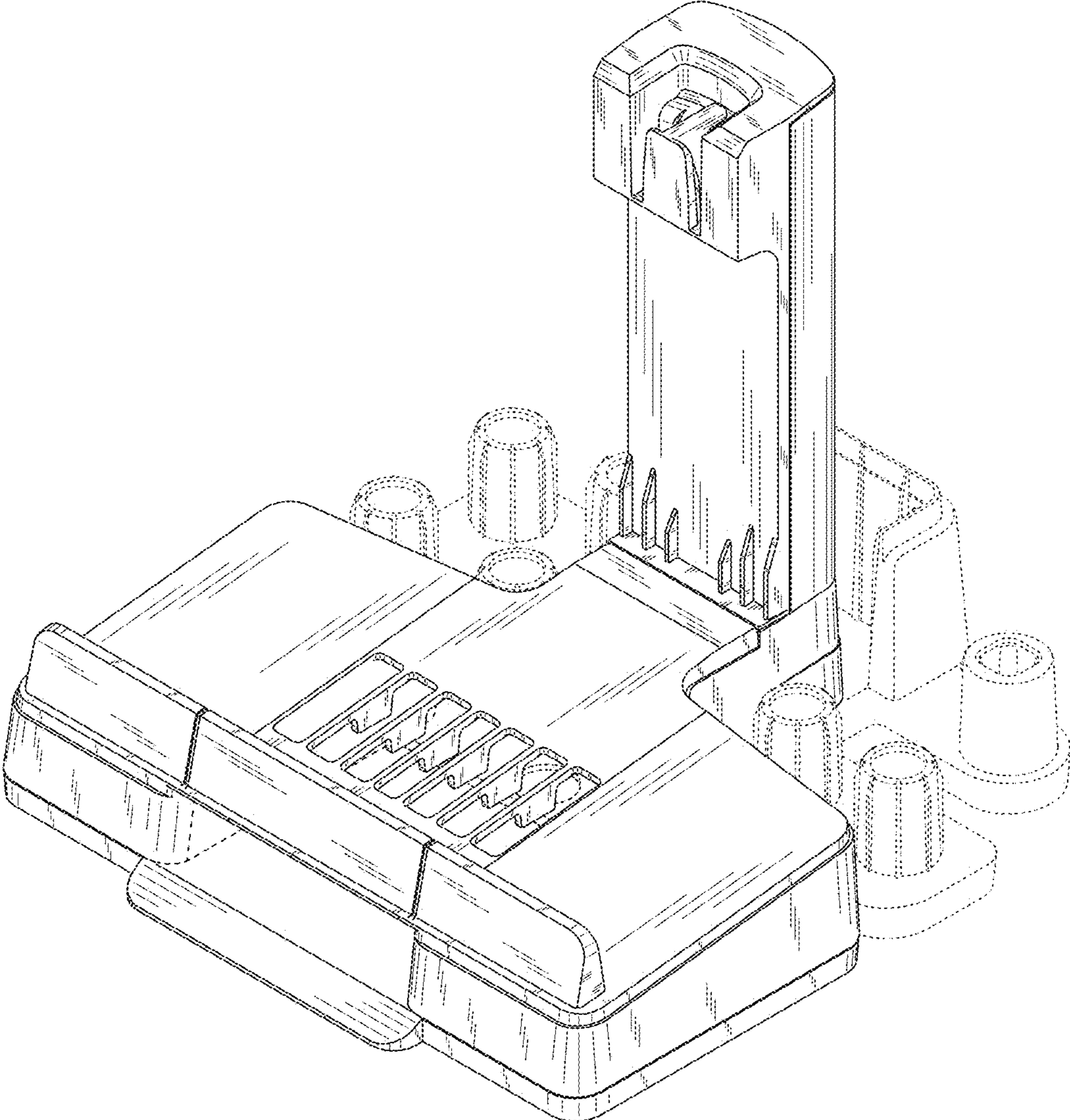


FIG.2

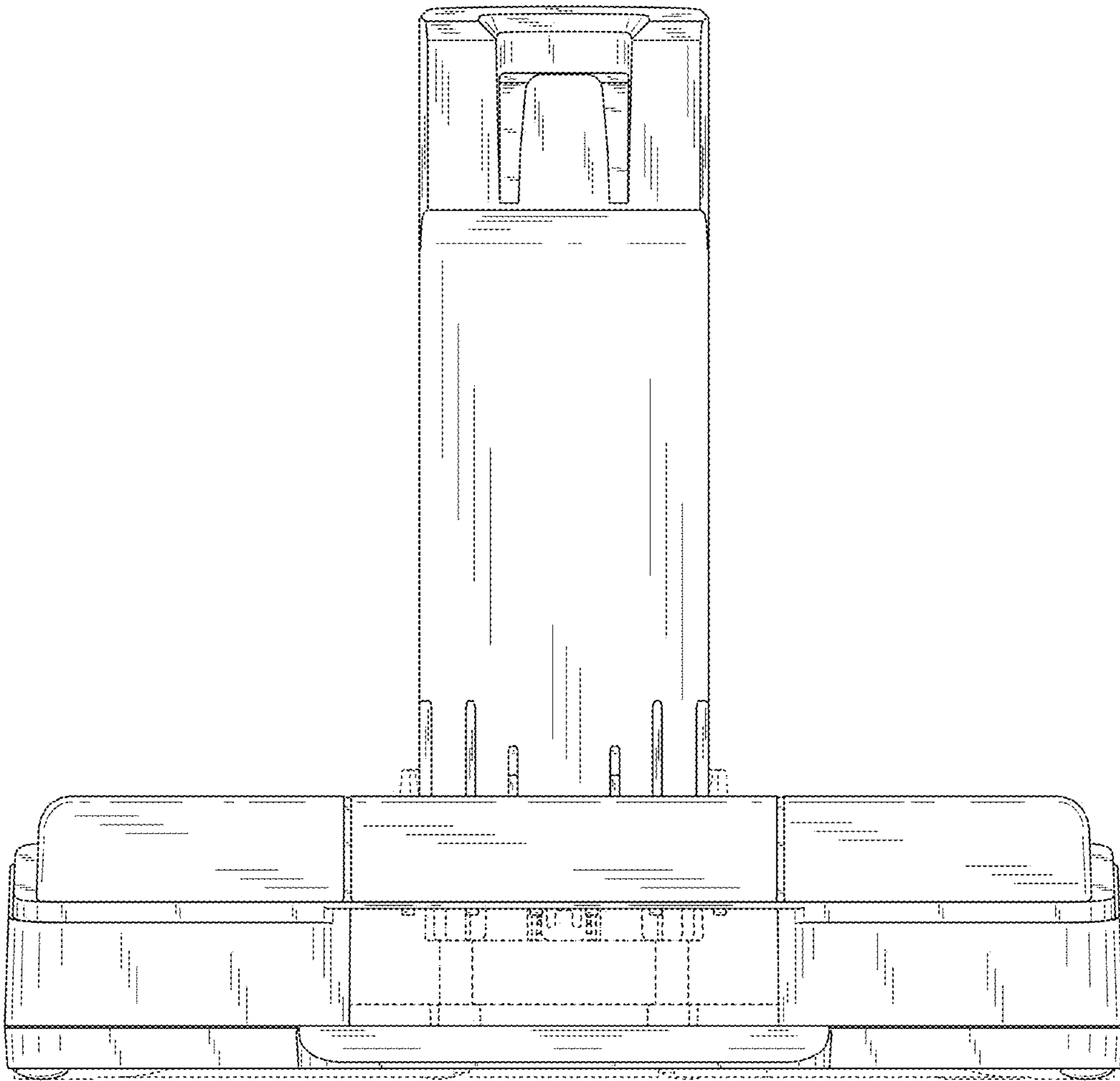


FIG. 3

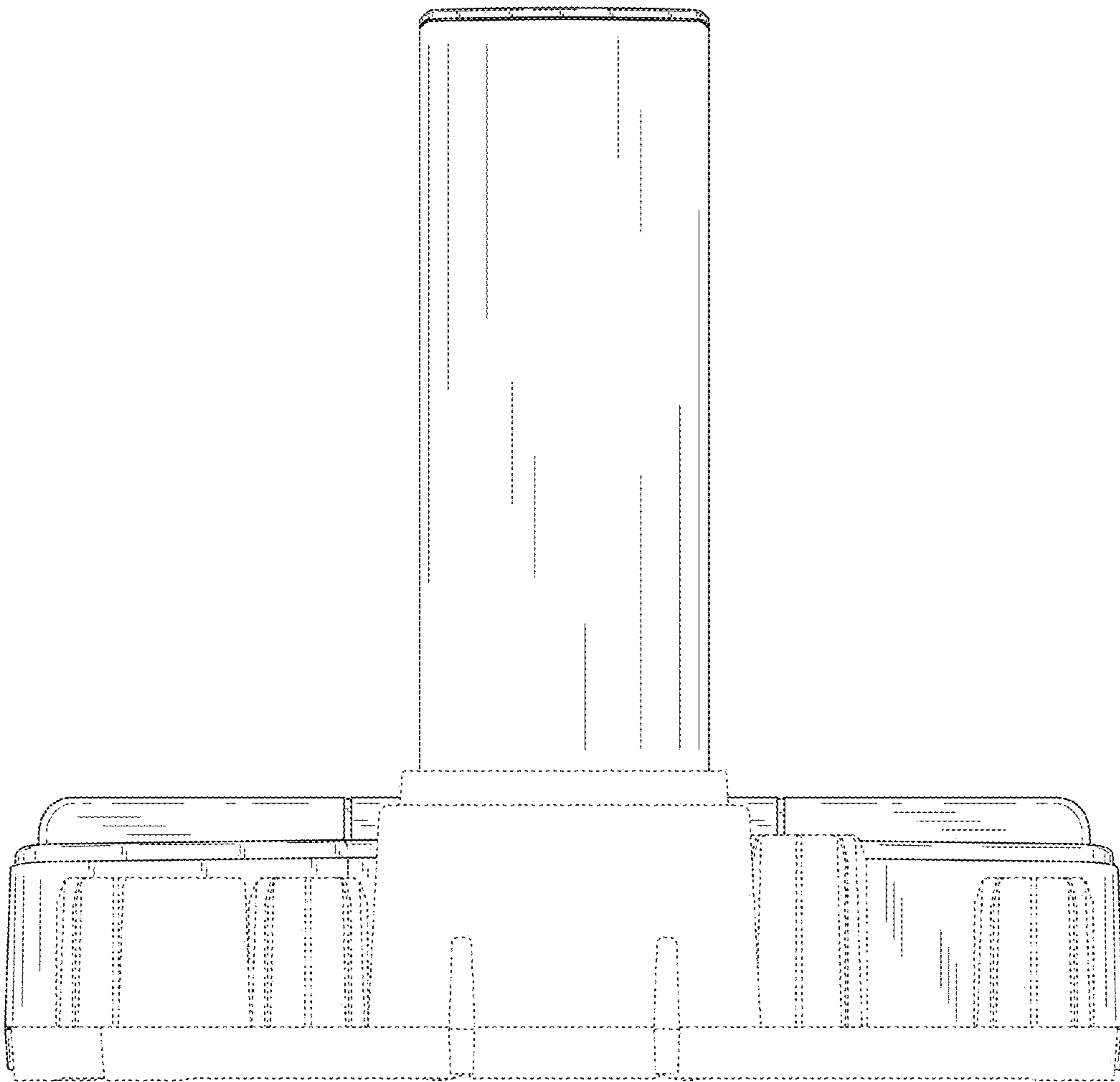


FIG.4

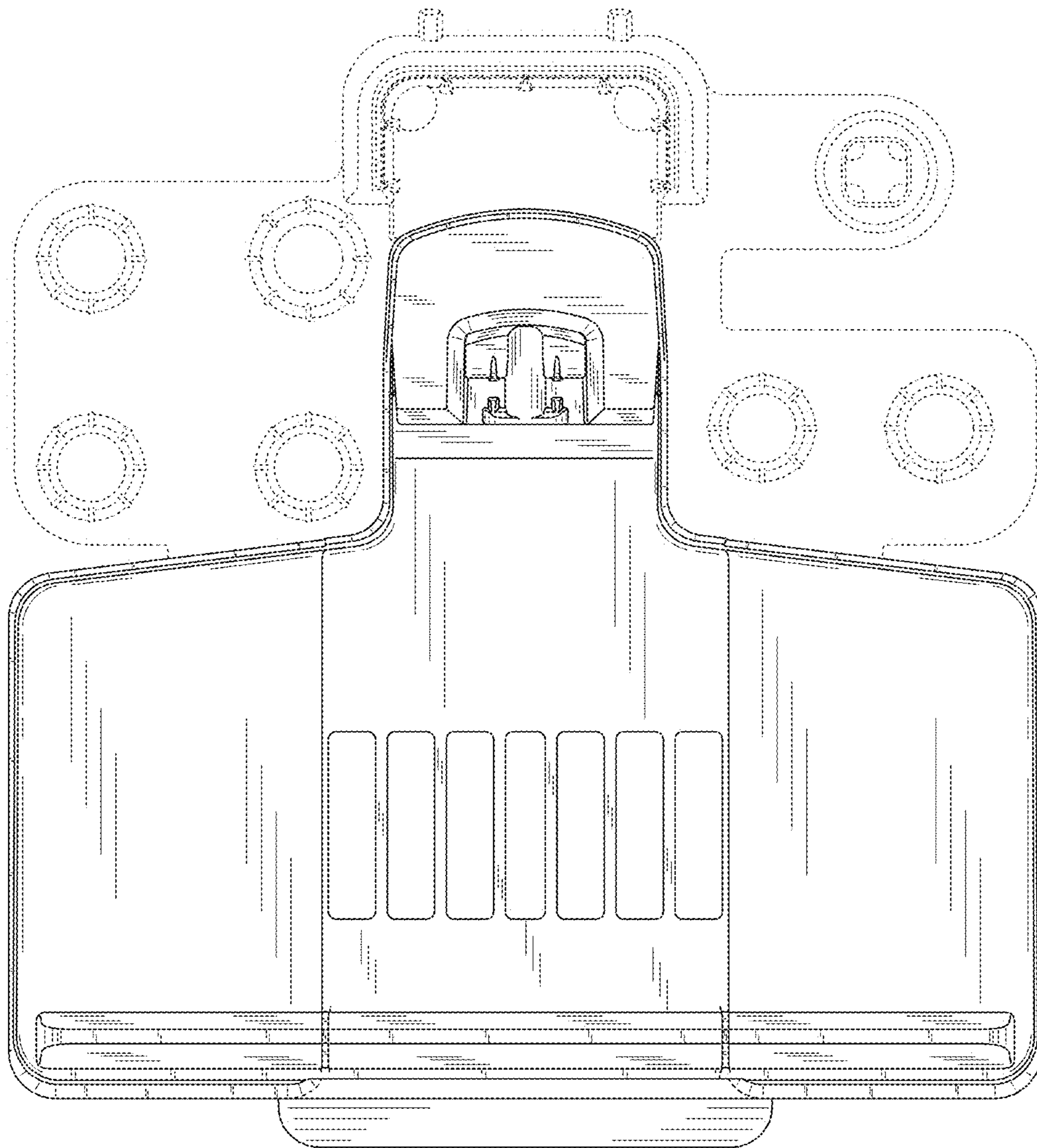


FIG. 5

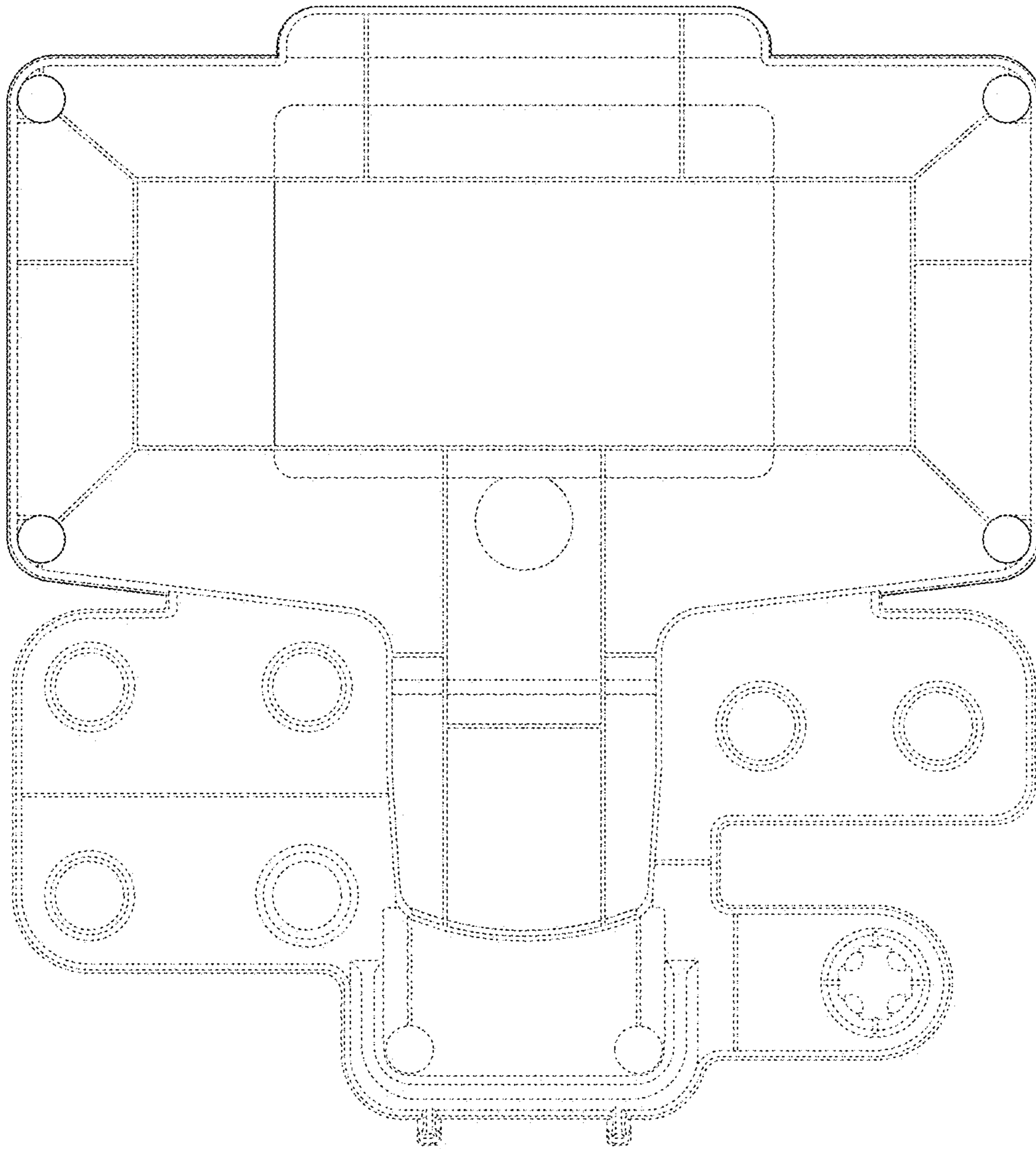


FIG. 6

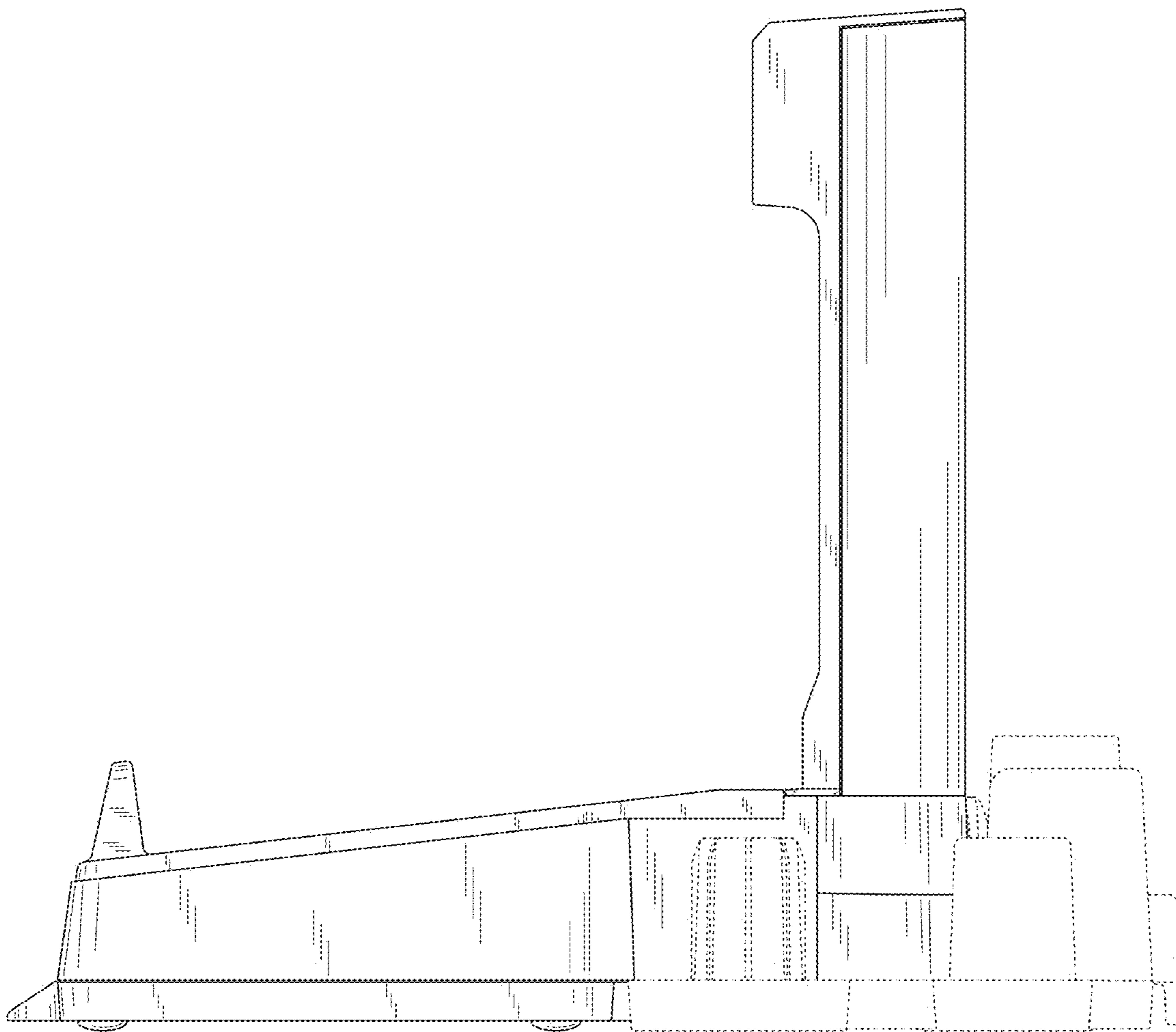




FIG. 7

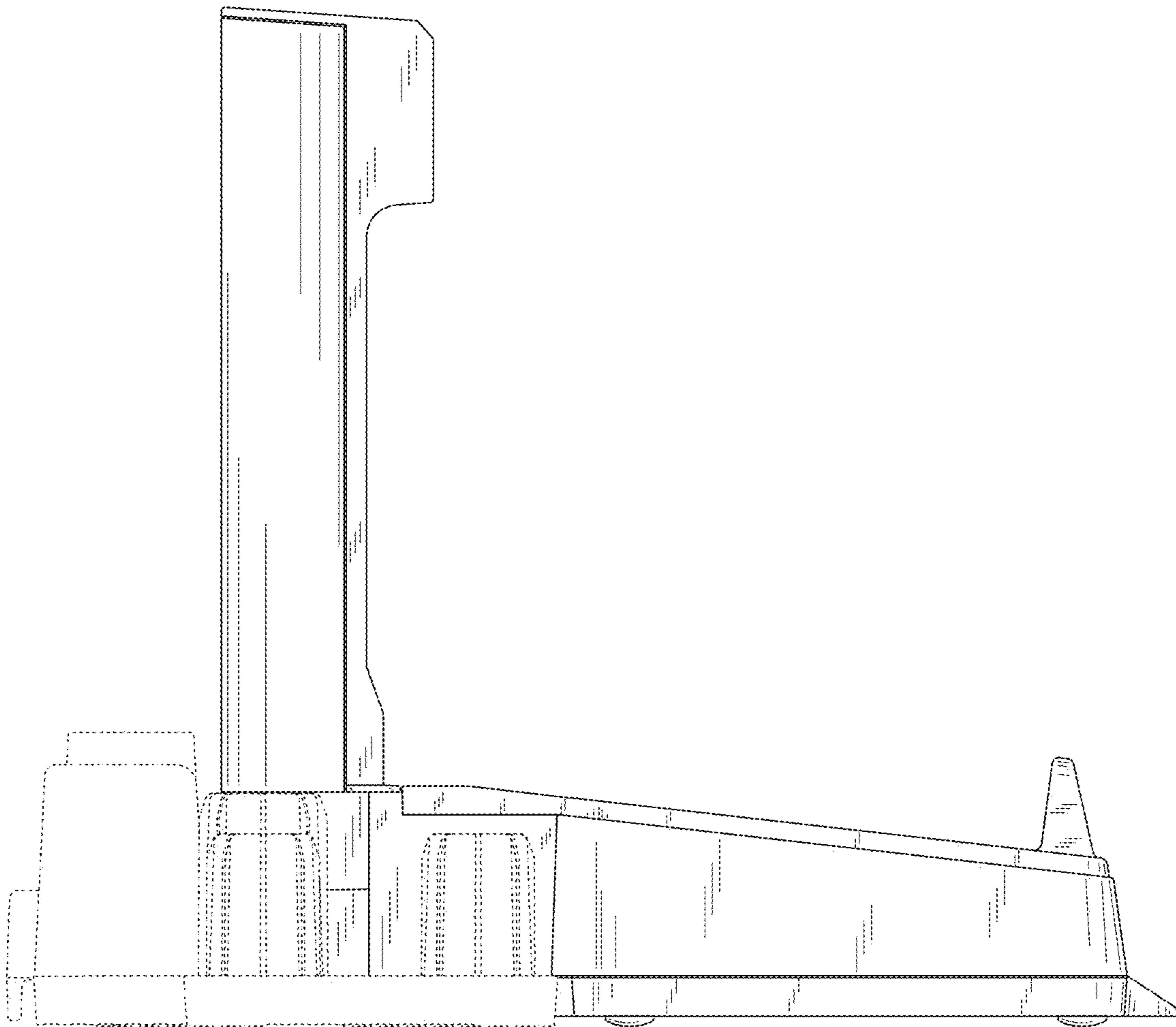


FIG. 8

