



US00D980795S

(12) **United States Design Patent** (10) **Patent No.:** **US D980,795 S**
Lu (45) **Date of Patent:** **** Mar. 14, 2023**

(54) **CHARGING BASE**
(71) Applicant: **EnFeng Lu**, Honghu (CN)
(72) Inventor: **EnFeng Lu**, Honghu (CN)
(**) Term: **15 Years**

D908,963 S * 1/2021 Lambrecht B26B 21/10
D28/52
D916,014 S * 4/2021 Wersland D13/108
D922,948 S * 6/2021 Wang D13/108
D932,623 S 10/2021 Wang
D948,124 S * 4/2022 Luo D28/53

(21) Appl. No.: **29/865,471**
(22) Filed: **Jul. 27, 2022**
(51) **LOC (14) Cl.** **13-02**
(52) **U.S. Cl.**
USPC **D13/107**
(58) **Field of Classification Search**
USPC D13/107-108, 110, 118-119, 184, 199;
D14/251, 253, 432-434, 447
CPC H02J 7/025; H02J 7/005; H02J 7/02; H02J
7/0026; H02J 7/0042; H02J 7/0044; H02J
7/0045; H02J 7/13; H02J 7/0003
See application file for complete search history.

OTHER PUBLICATIONS

<https://www.amazon.com/Sinjimoru-Charging-Convenient-Silicone-Docking/dp/B07GQV2NXN>; from Amazon.com, printed on Jul. 25, 2022.
<https://www.amazon.com/Sinjimoru-Including-iPhone-Convenient-Silicone/dp/B07GQS5MNH>; from Amazon.com, printed on Jul. 25, 2022.
<https://www.amazon.com/seenda-Wireless-Charging-Station-Multiple/dp/B08CXZQ1N1>; from Amazon.com, printed on Jul. 25, 2022.

* cited by examiner

Primary Examiner — Rosemary K Tarcza
(74) *Attorney, Agent, or Firm* — Vladimir Postnikov

(56) **References Cited**

U.S. PATENT DOCUMENTS

D277,662 S * 2/1985 Huntington D13/107
D307,016 S * 4/1990 Watanabe D14/138
D342,718 S 12/1993 Mackay
D395,280 S * 6/1998 Phelps D13/108
D466,476 S 12/2002 Stratford
D488,440 S * 4/2004 Senda D13/108
D516,023 S * 2/2006 Quinn D13/108
D516,025 S * 2/2006 Quinn D13/108
D532,744 S 11/2006 Aglassinger
D606,491 S * 12/2009 Rosen D13/108
D621,347 S * 8/2010 Aulwes D28/73
D723,459 S 3/2015 Dang
D808,901 S 1/2018 Kelly
D858,438 S 9/2019 Levy
D876,442 S * 2/2020 McCracken G06F 1/1632
D14/434
D890,088 S 7/2020 Machida
D896,175 S 9/2020 Staffl
D897,282 S 9/2020 Ye

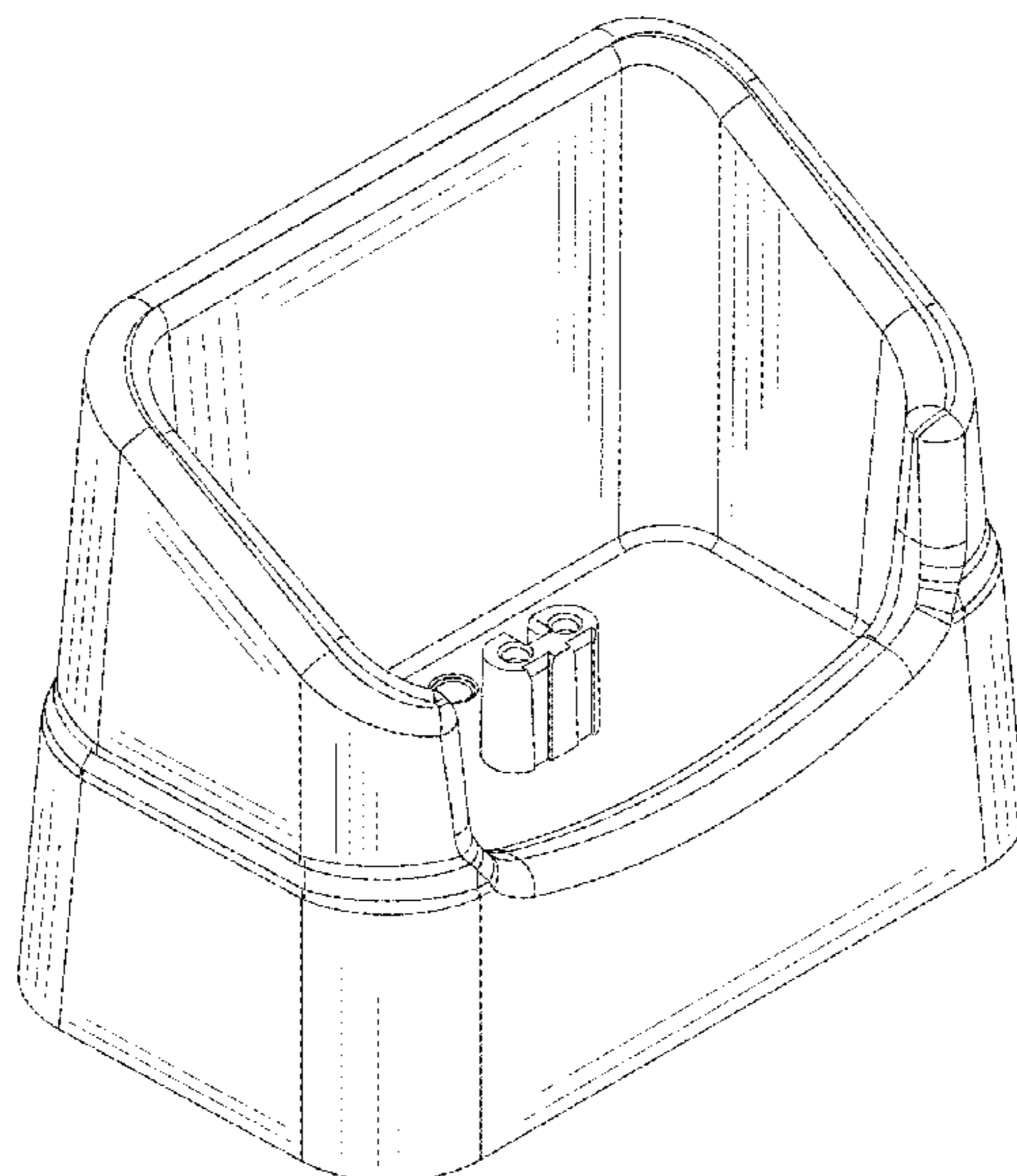
(57) **CLAIM**

The ornamental design for a charging base, as shown and described.

DESCRIPTION

FIG. 1 is a front elevation view of a charging base showing the new design;
FIG. 2 is a back elevation view thereof;
FIG. 3 is a left-side view thereof;
FIG. 4 is a right-side view thereof;
FIG. 5 is a top plan view thereof;
FIG. 6 is a bottom plan view thereof;
FIG. 7 is a top-left perspective view thereof; and,
FIG. 8 is a back, left-side and bottom perspective view thereof.
The broken lines depict portions of the article that form no part of the claimed design.

1 Claim, 8 Drawing Sheets



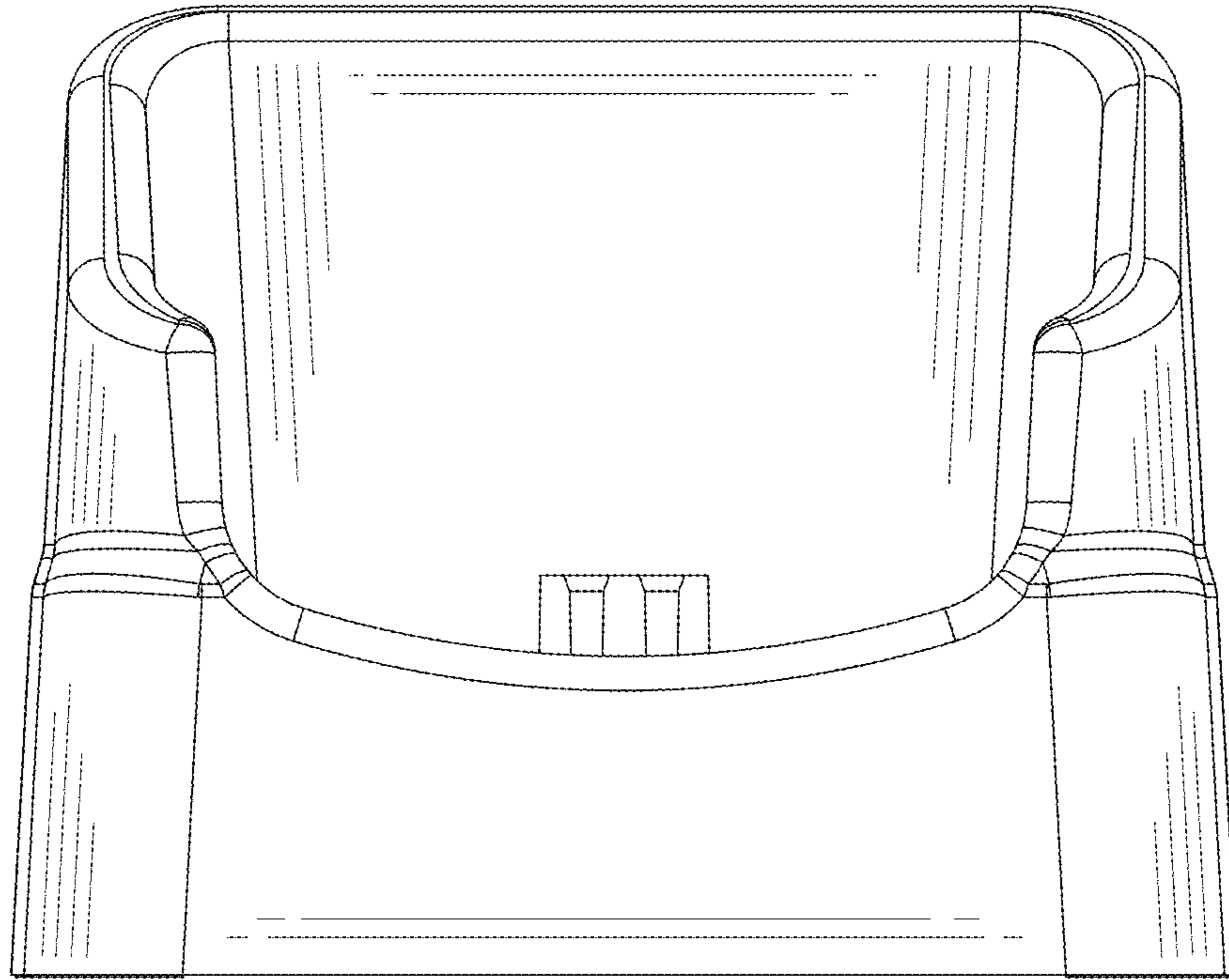


FIG. 1

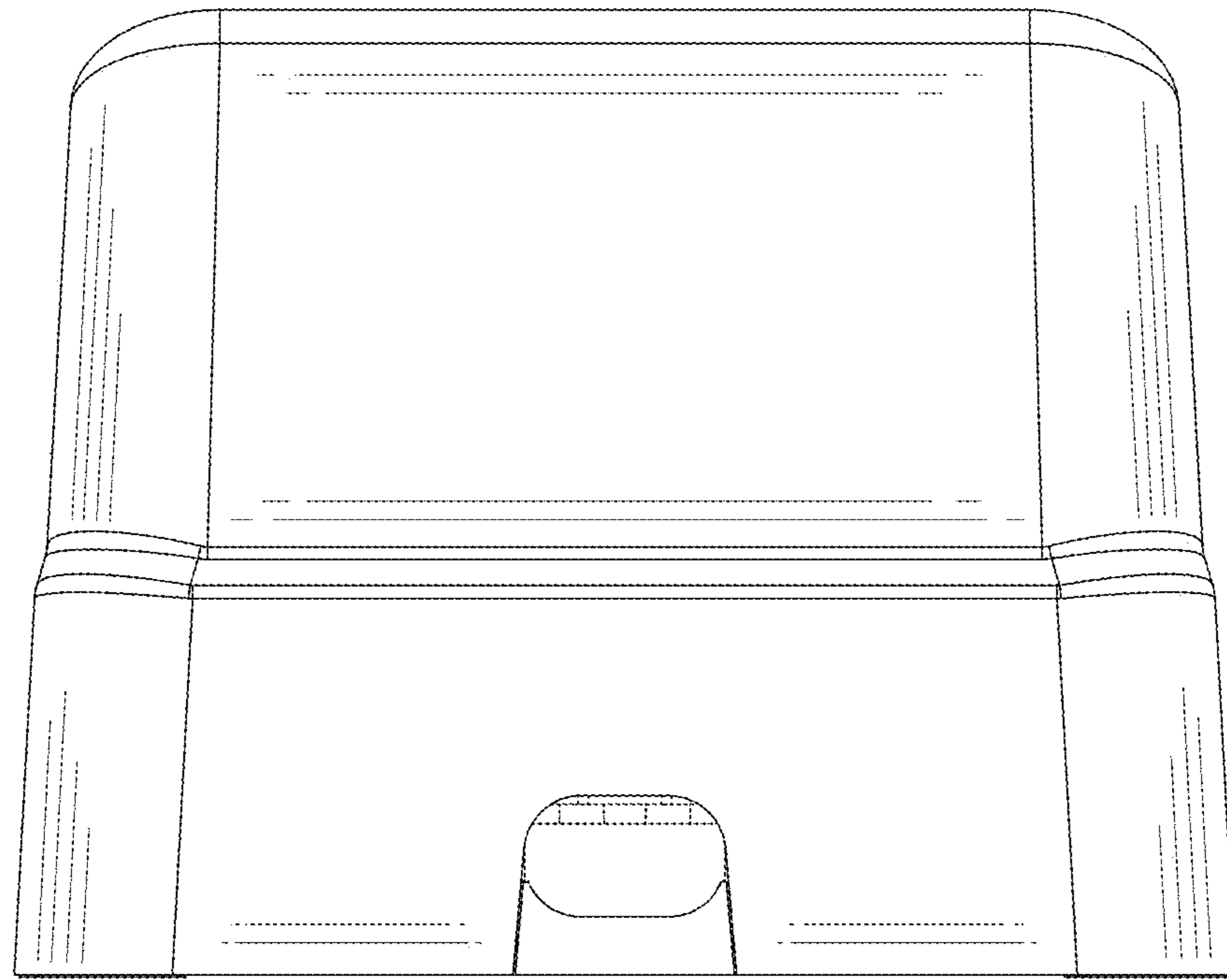


FIG. 2

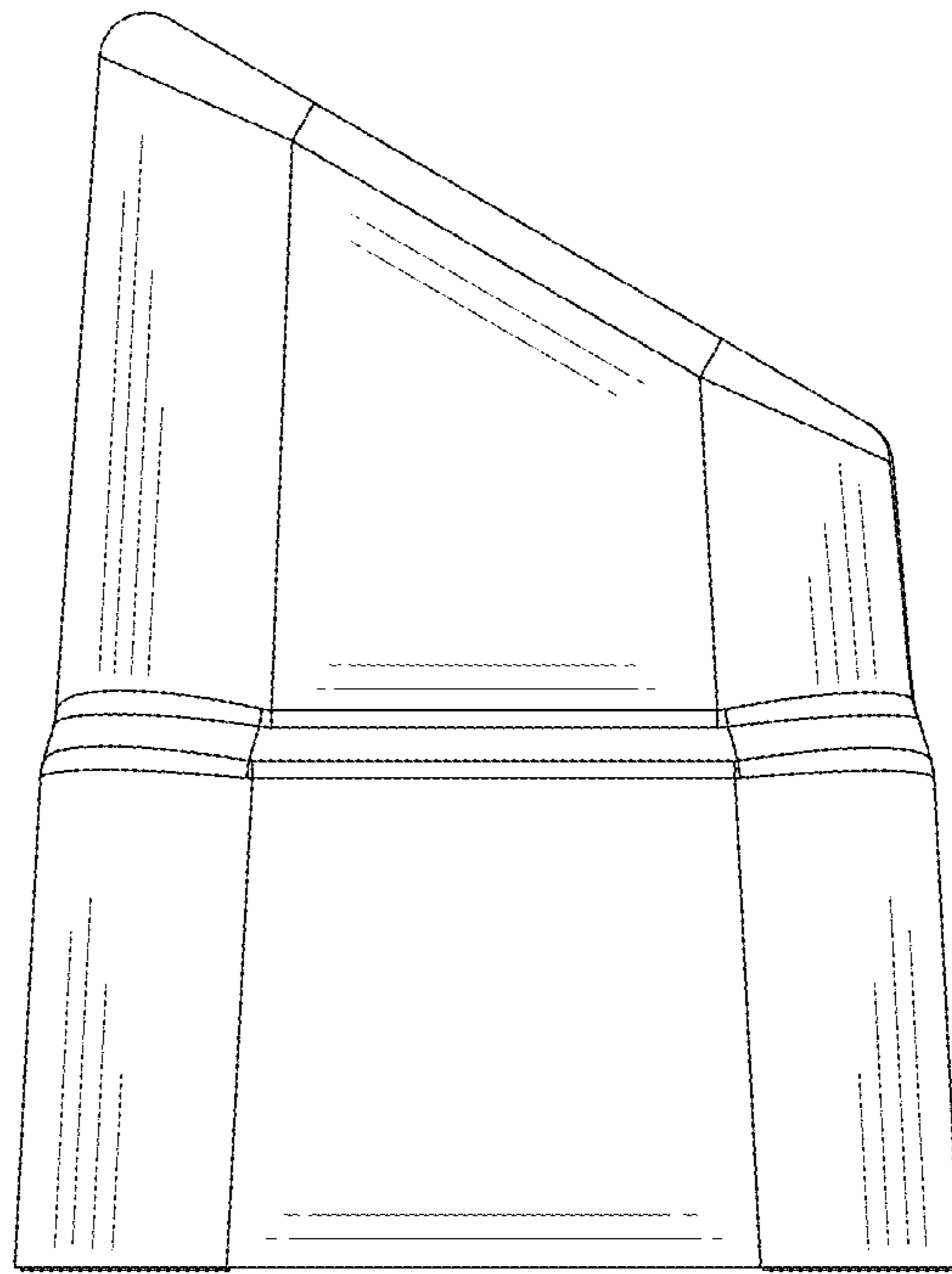


FIG. 3

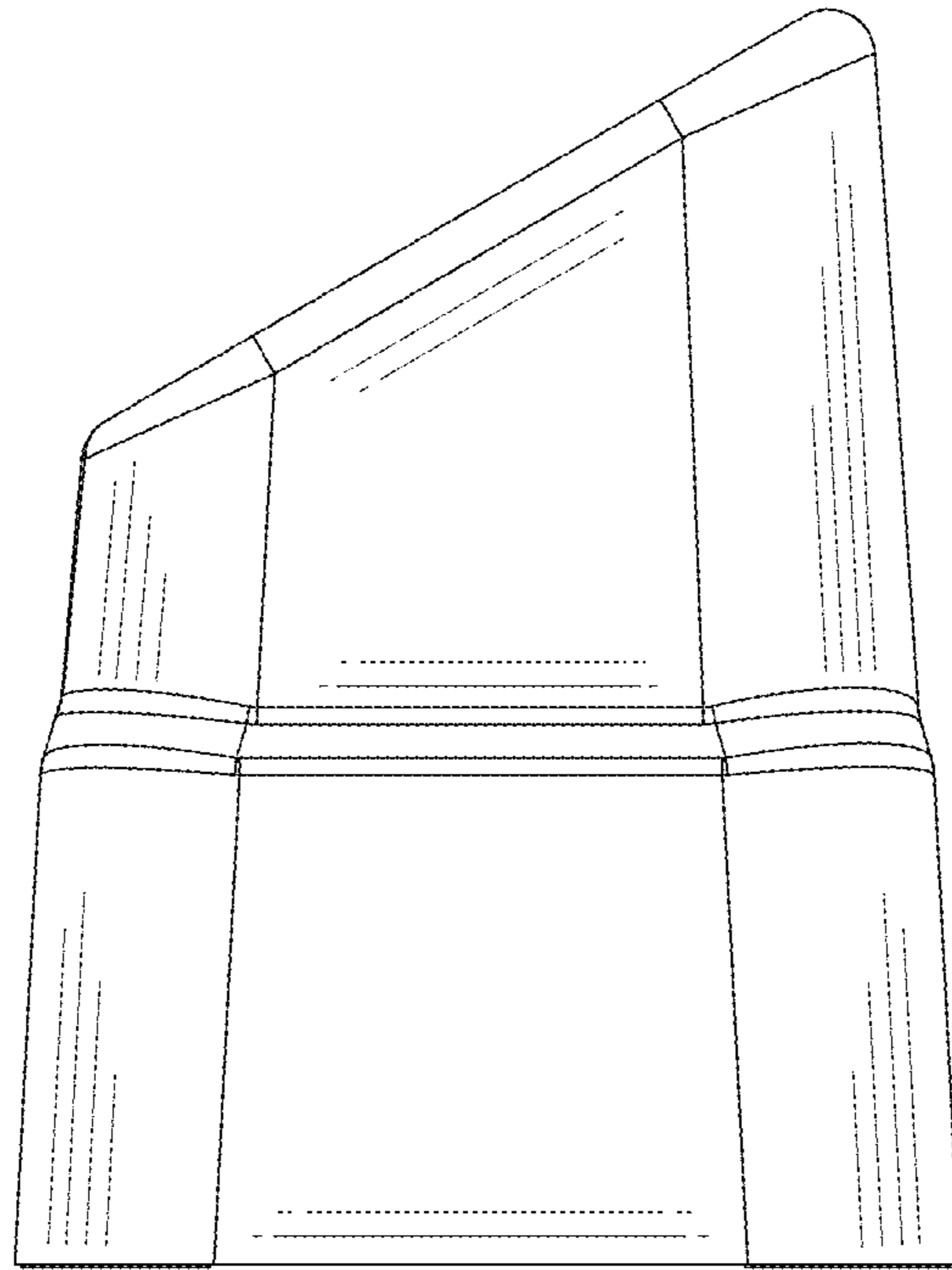


FIG. 4

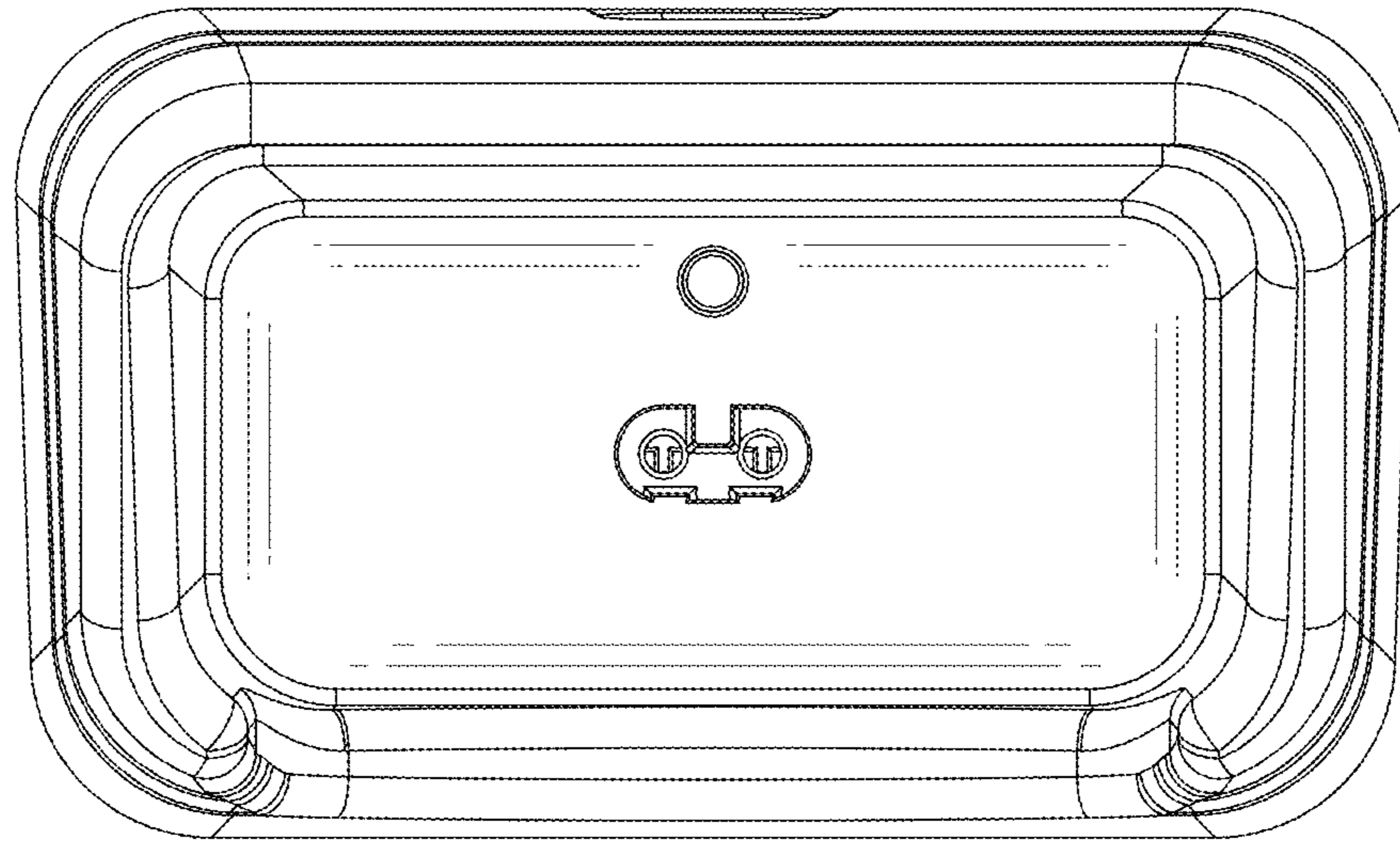


FIG. 5

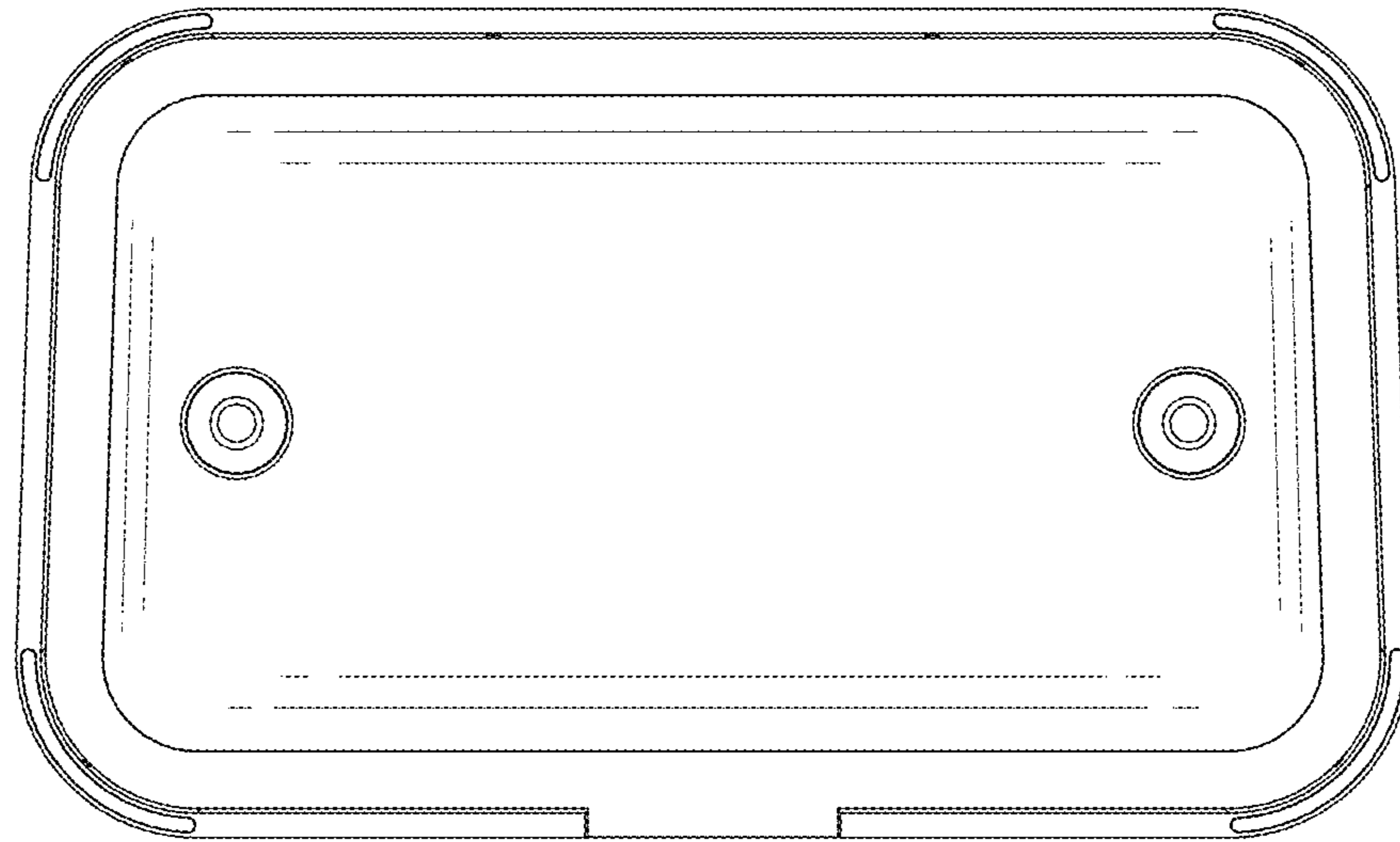


FIG. 6

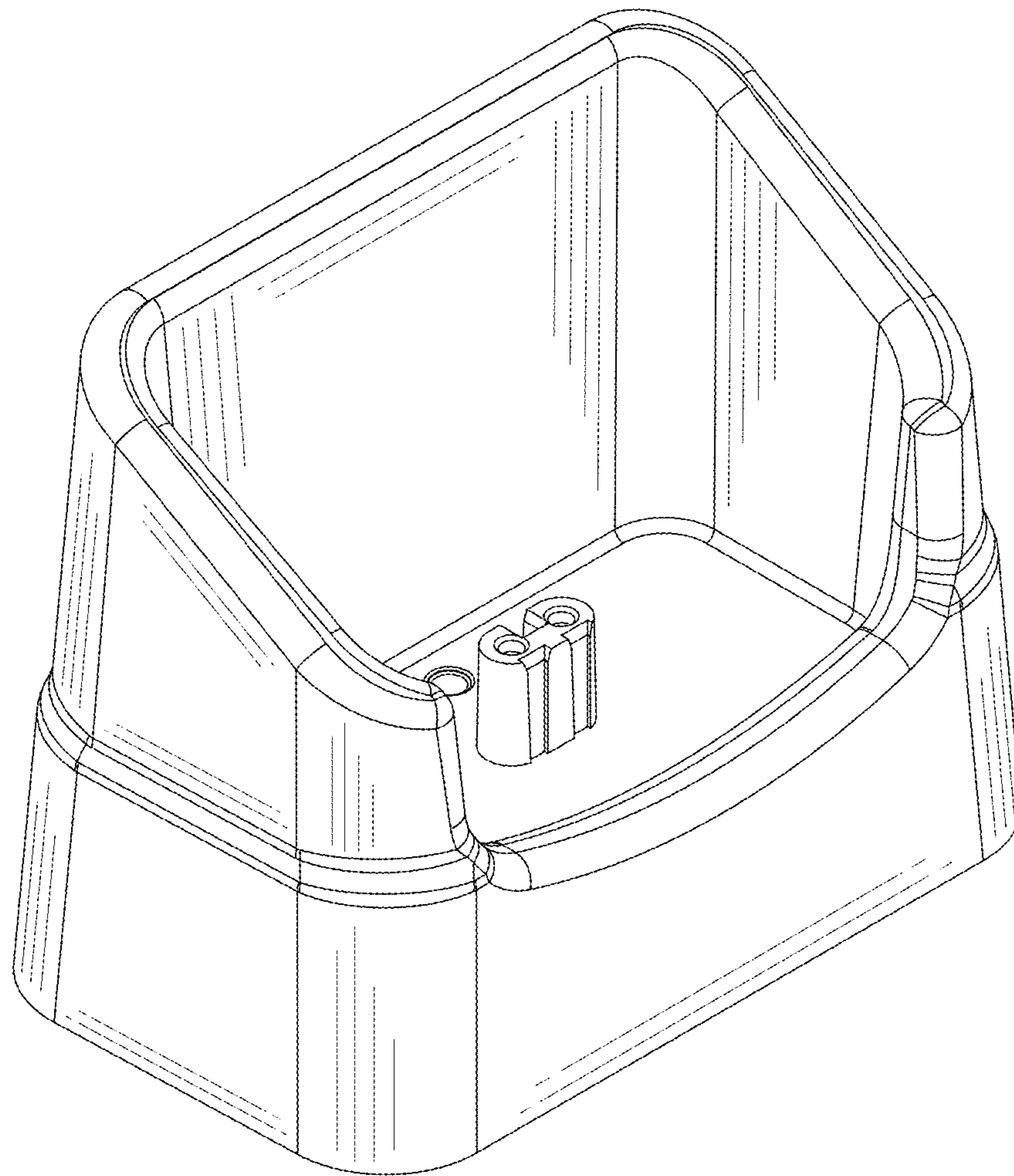


FIG. 7

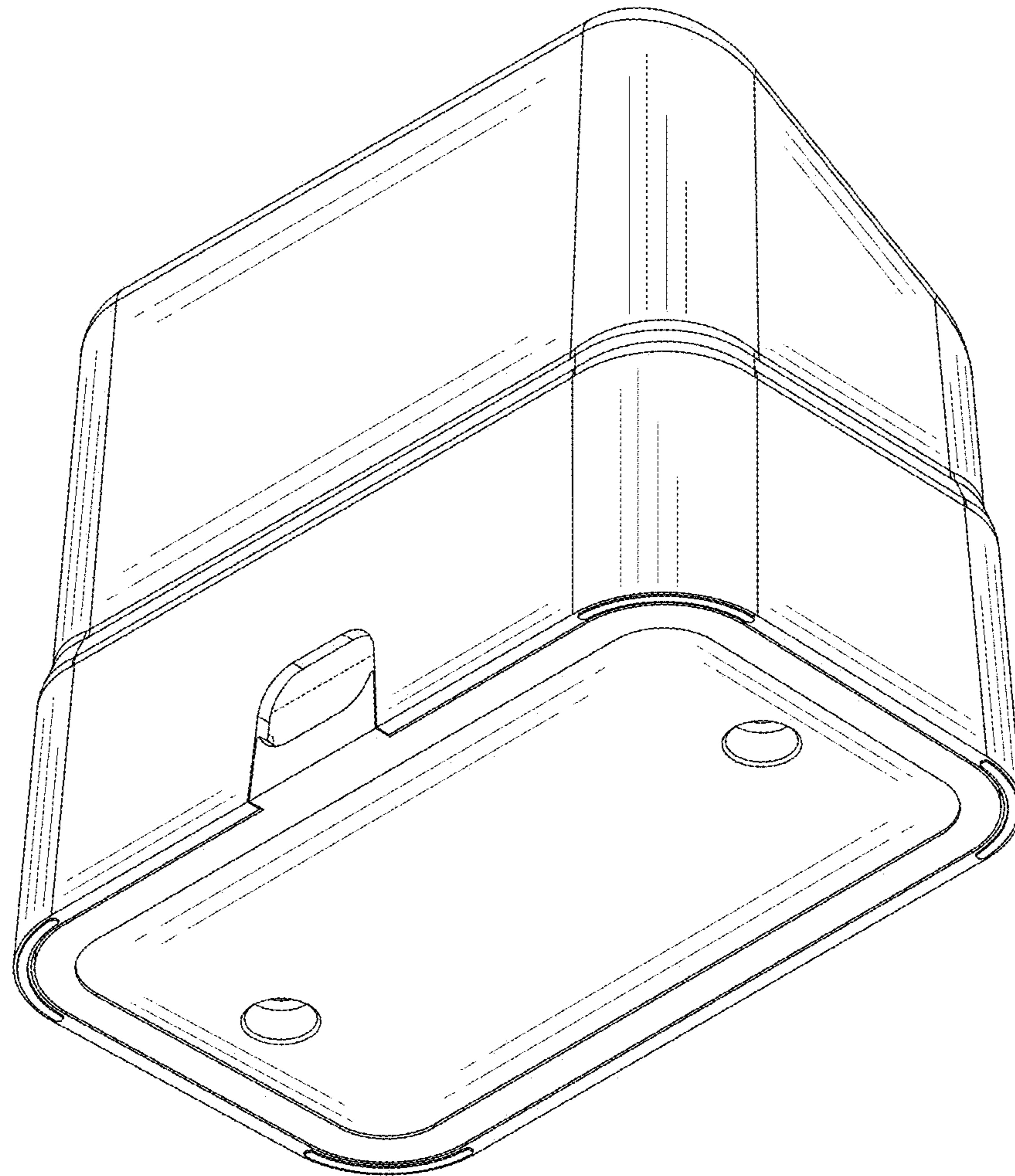


FIG. 8