



US00D980794S

(12) **United States Design Patent**
Namminga

(10) **Patent No.:** **US D980,794 S**
(45) **Date of Patent:** **** Mar. 14, 2023**

(54) **CHARGING STATION**

(71) Applicant: **Andrew Namminga**, Newport Beach, CA (US)

(72) Inventor: **Andrew Namminga**, Newport Beach, CA (US)

(73) Assignee: **Voltani, Inc.**, Solana Beach, CA (US)

(**) Term: **15 Years**

(21) Appl. No.: **29/764,671**

(22) Filed: **Dec. 31, 2020**

(51) **LOC (14) Cl.** **13-02**

(52) **U.S. Cl.**
USPC **D13/107**

(58) **Field of Classification Search**

USPC D13/107-110, 118, 119, 184, 199, 163;
D14/251, 253, 432, 434, 447

CPC Y02E 60/12; H02J 7/025; H02J 7/0042;
H02J 7/0044; H02J 7/0045; H02J 7/0003;
H02J 7/0027; H02J 7/0013; H02J 7/0054;
H02J 7/00; H02J 2001/008; H02J 3/32;
H02J 3/008; H01F 38/14; H01R 13/6675;
H01M 2/1022; H01M 2/1055; H01M
10/44; H01M 10/46; H01M 10/425; B60L
11/182; B60L 11/1809; B60L 11/1861;
B60R 16/03

See application file for complete search history.

(56) **References Cited**

U.S. PATENT DOCUMENTS

D659,090 S * 5/2012 deRoo D13/107
D708,573 S * 7/2014 Gieniec D13/107

D708,574 S * 7/2014 Gieniec D13/107
D730,822 S * 6/2015 Chin-Ho Kim D13/107
D796,436 S * 9/2017 Rivera D13/108
D925,482 S * 7/2021 Kafantaris D13/184
D935,393 S * 11/2021 Erni D13/107
D937,199 S * 11/2021 Gehrmann D13/107
D948,423 S * 4/2022 Bluemle D13/107
D948,425 S * 4/2022 Erni D13/107
D948,429 S * 4/2022 Douglas D13/108

* cited by examiner

Primary Examiner — Christy Nemeth

(74) *Attorney, Agent, or Firm* — Charmasson, Buchaca & Leach, LLP

(57) **CLAIM**

The ornamental design for a charging station, as shown and described.

DESCRIPTION

FIG. 1 is a front, top, left side perspective view of a charging station according to the invention.

FIG. 2 is a back, bottom, right side perspective view thereof.

FIG. 3 is a front elevation view thereof.

FIG. 4 is a back elevation view thereof.

FIG. 5 is a right side elevation view thereof.

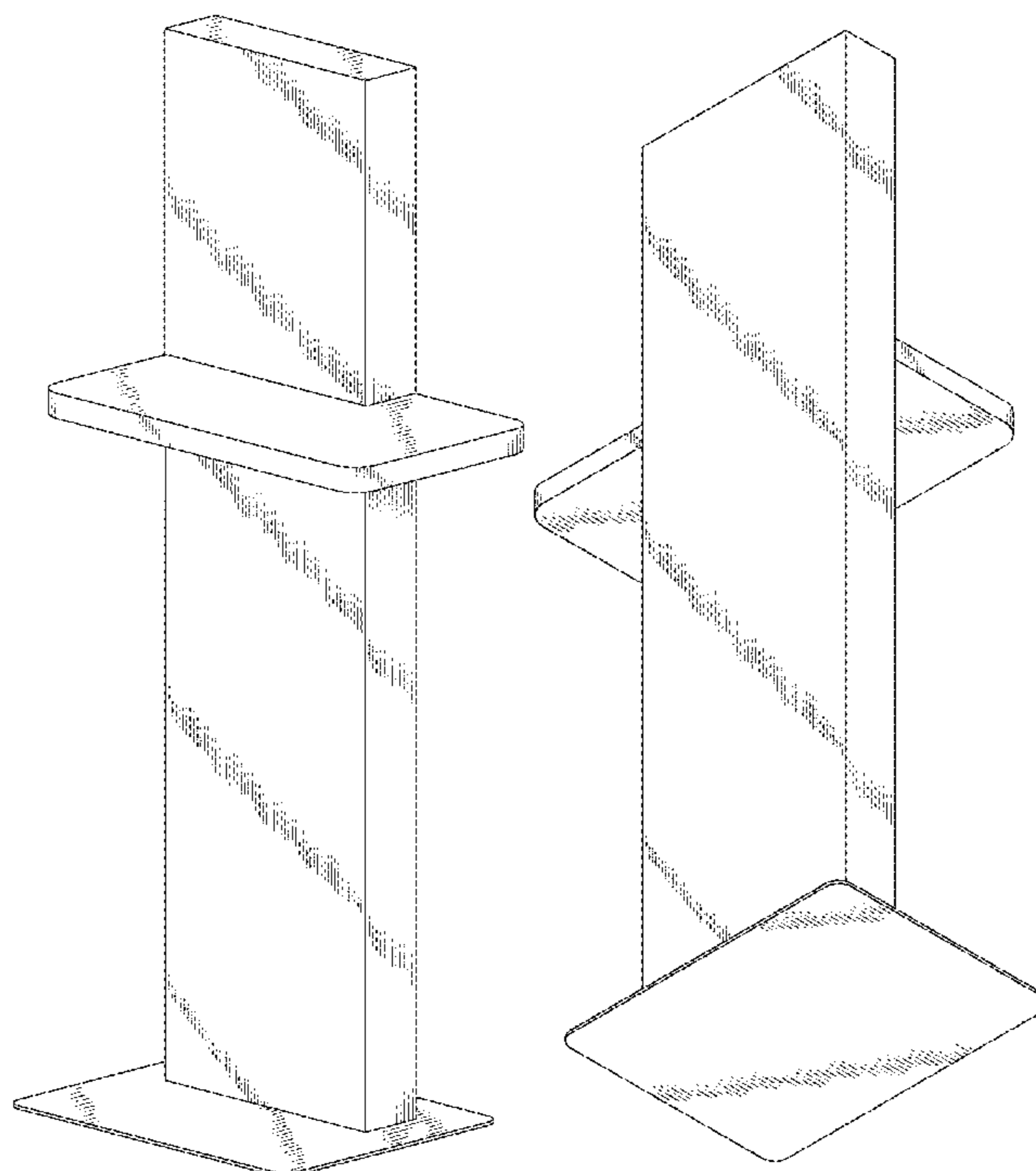
FIG. 6 is a left side elevation view thereof.

FIG. 7 is a top plan view thereof; and,

FIG. 8 is a bottom plan view thereof.

The shading in the drawings does not depict surface ornamentation but illustrates the surface contours of the charging station.

1 Claim, 6 Drawing Sheets



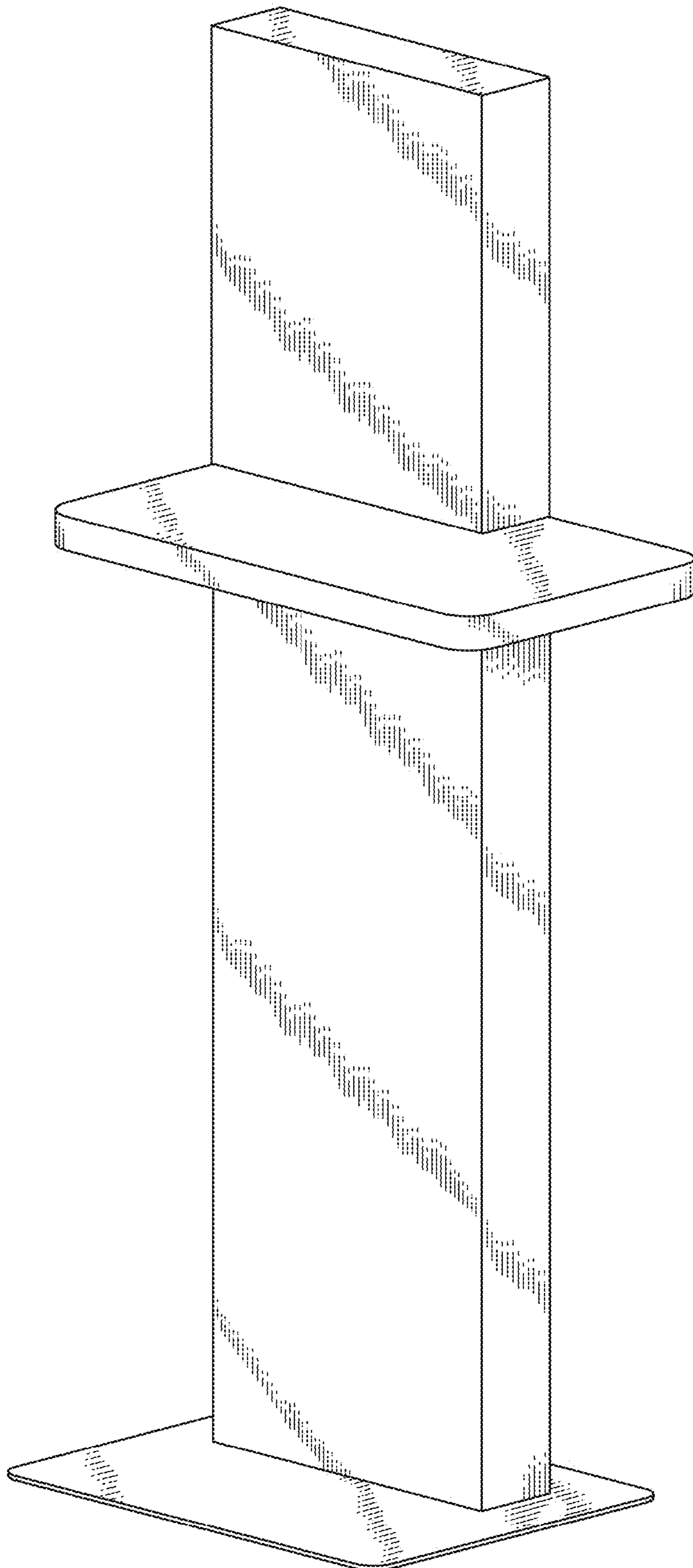


FIG. 1

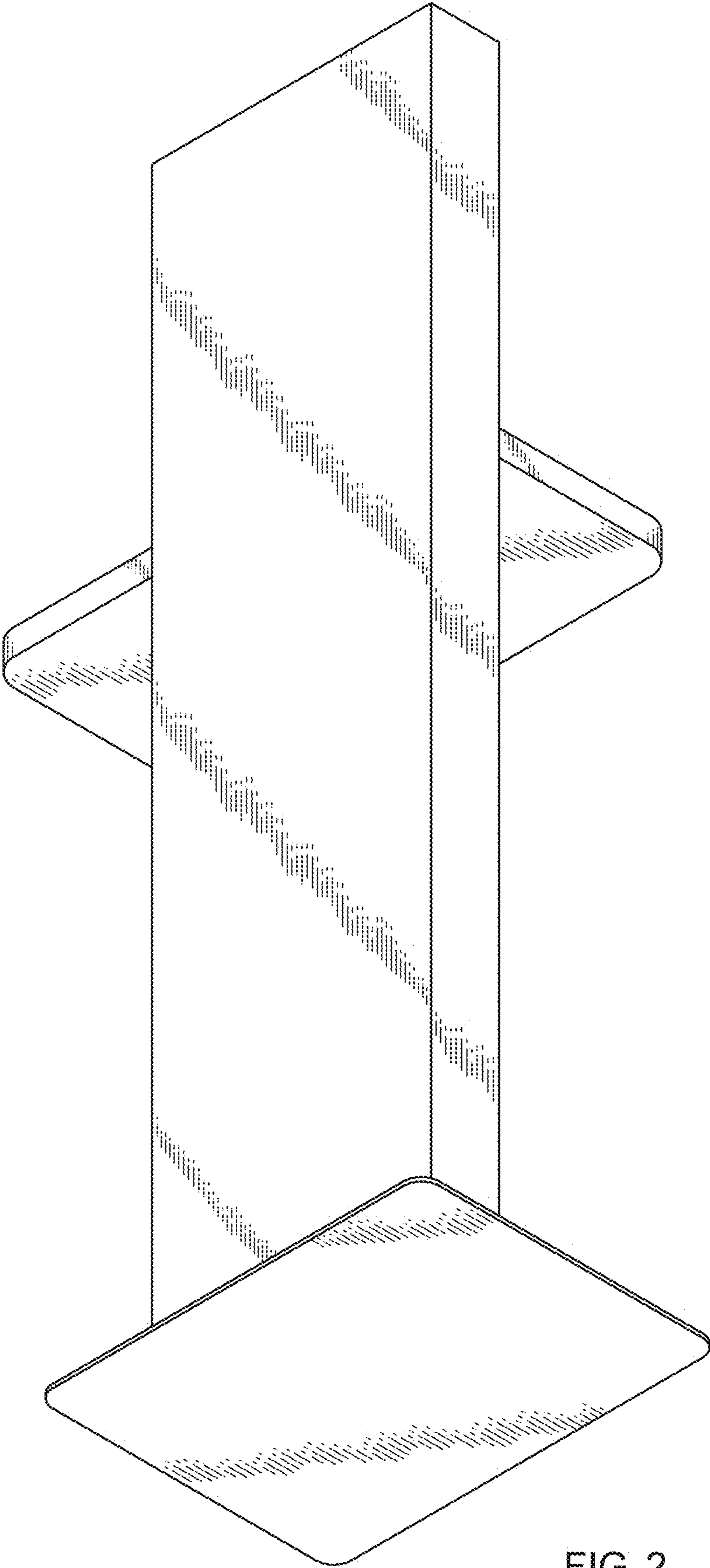


FIG. 2

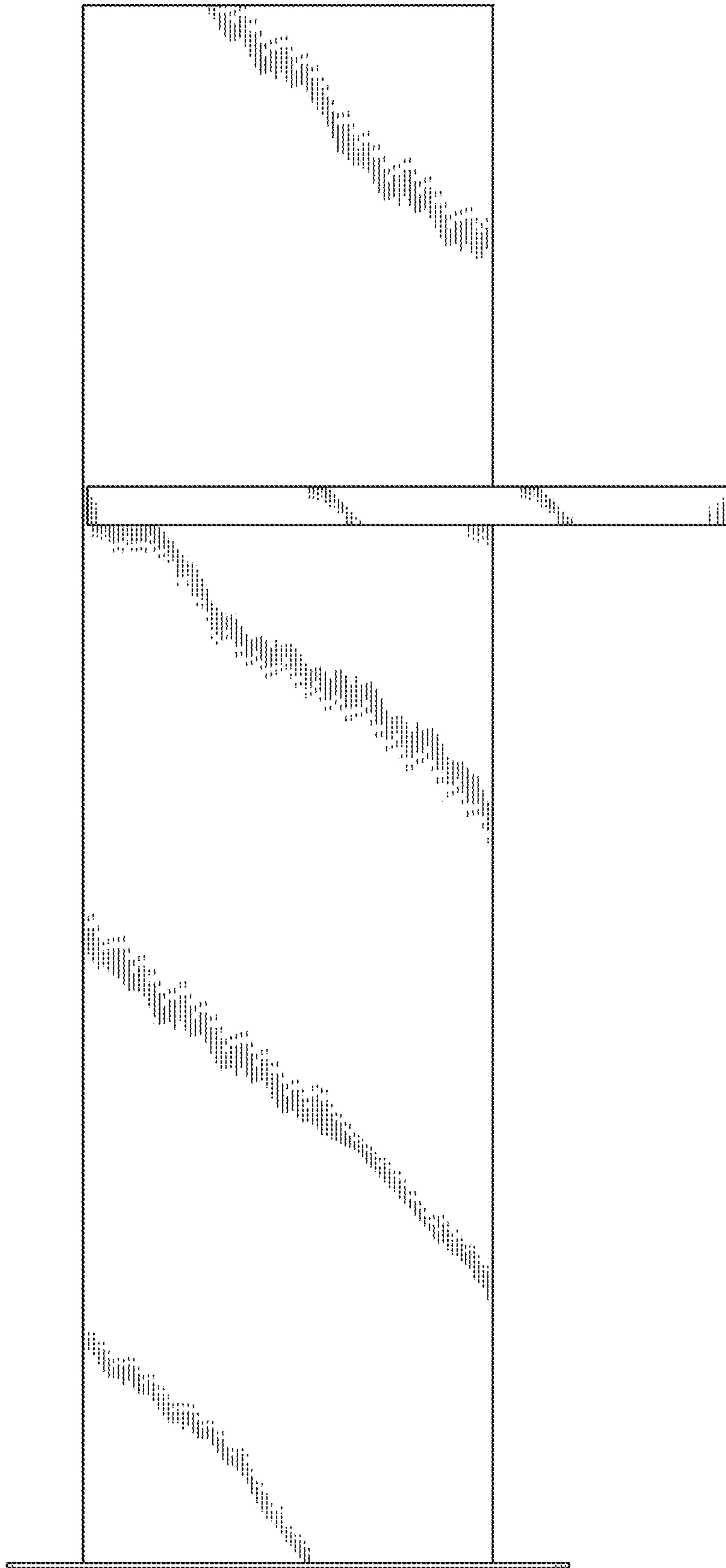


FIG. 3

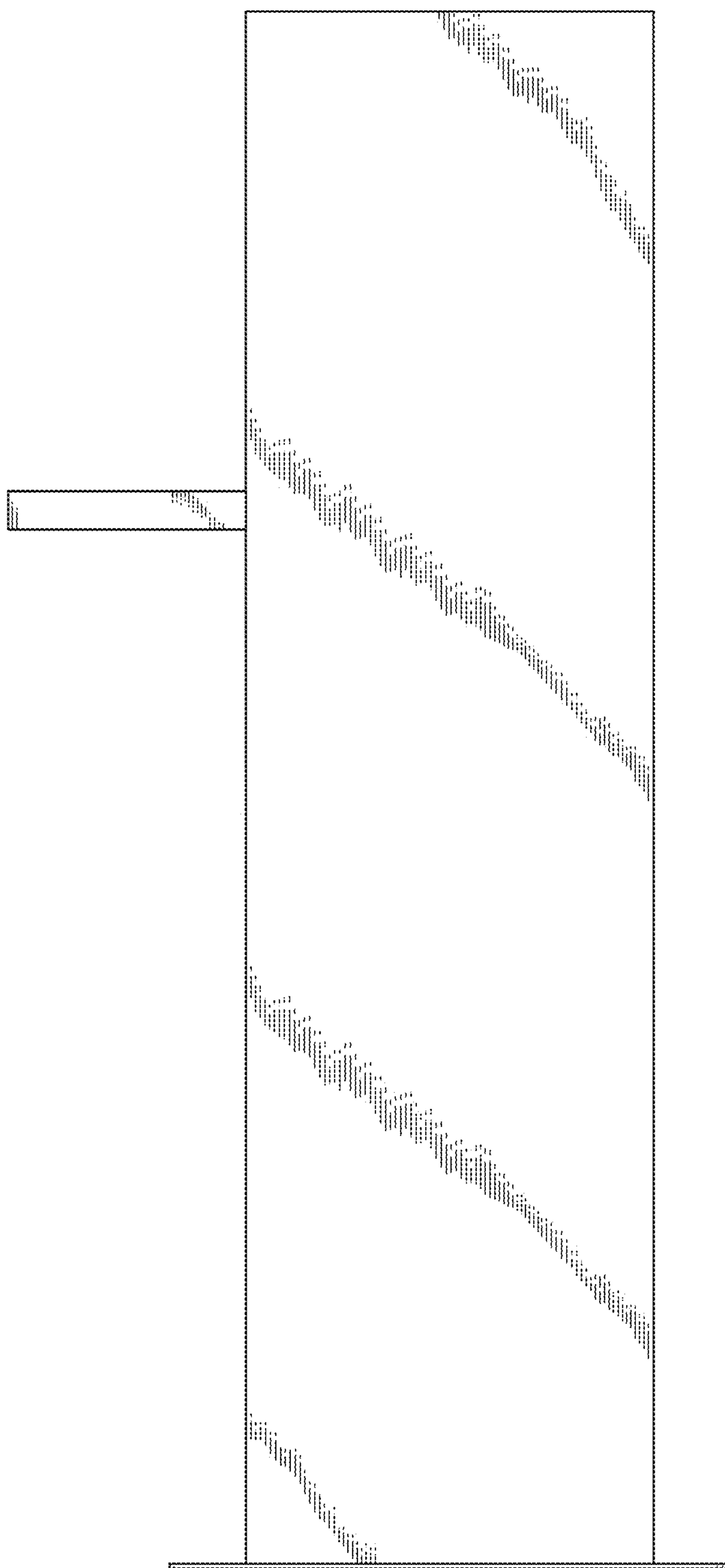


FIG. 4

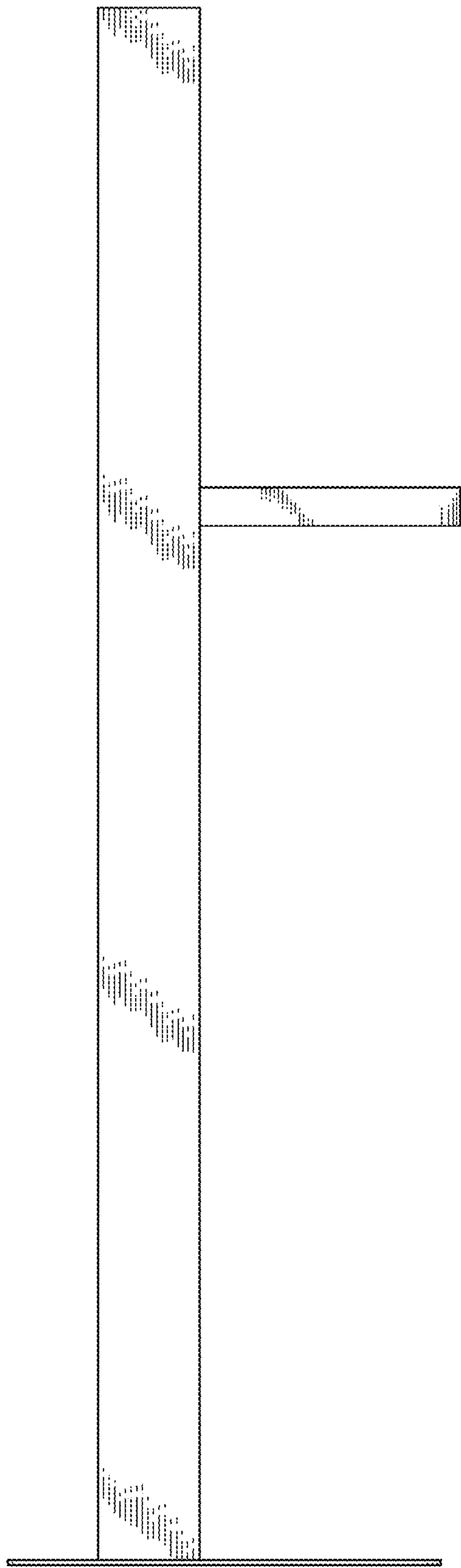


FIG. 5

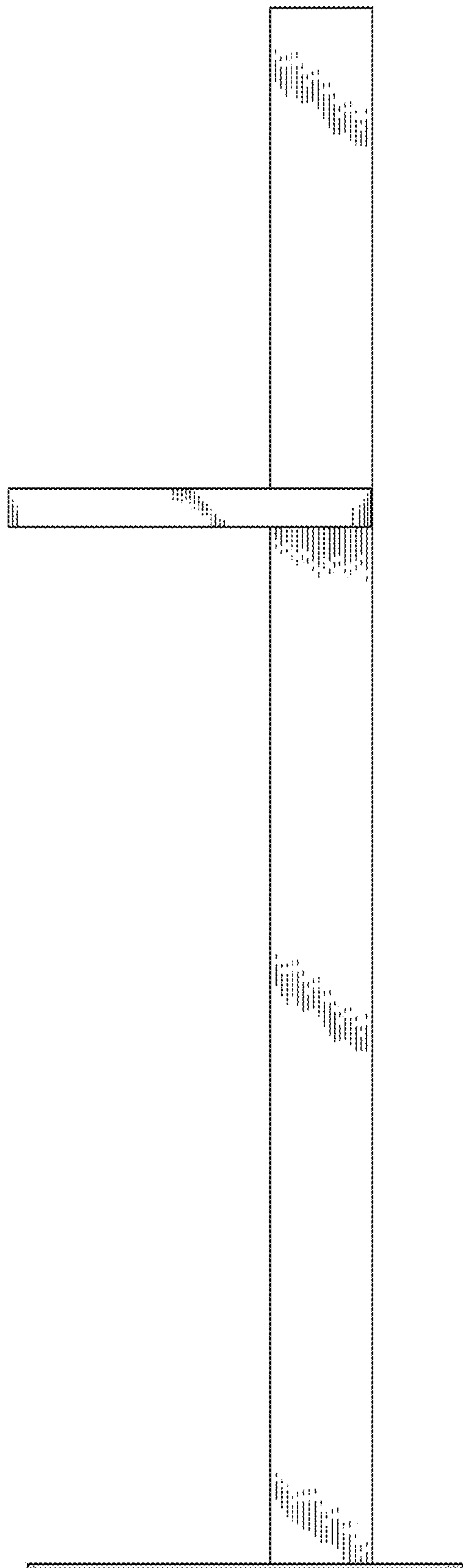


FIG. 6

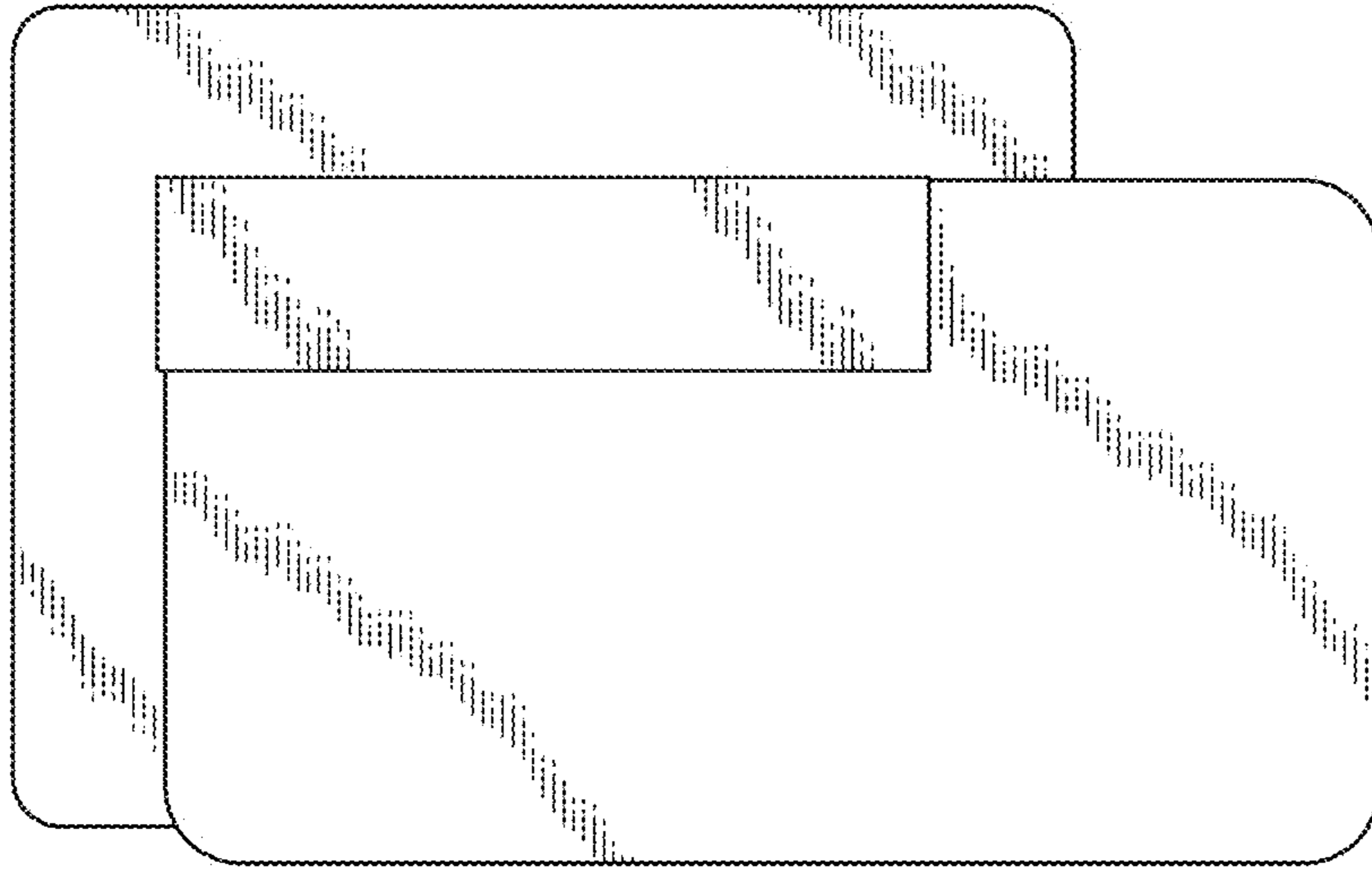


FIG. 7

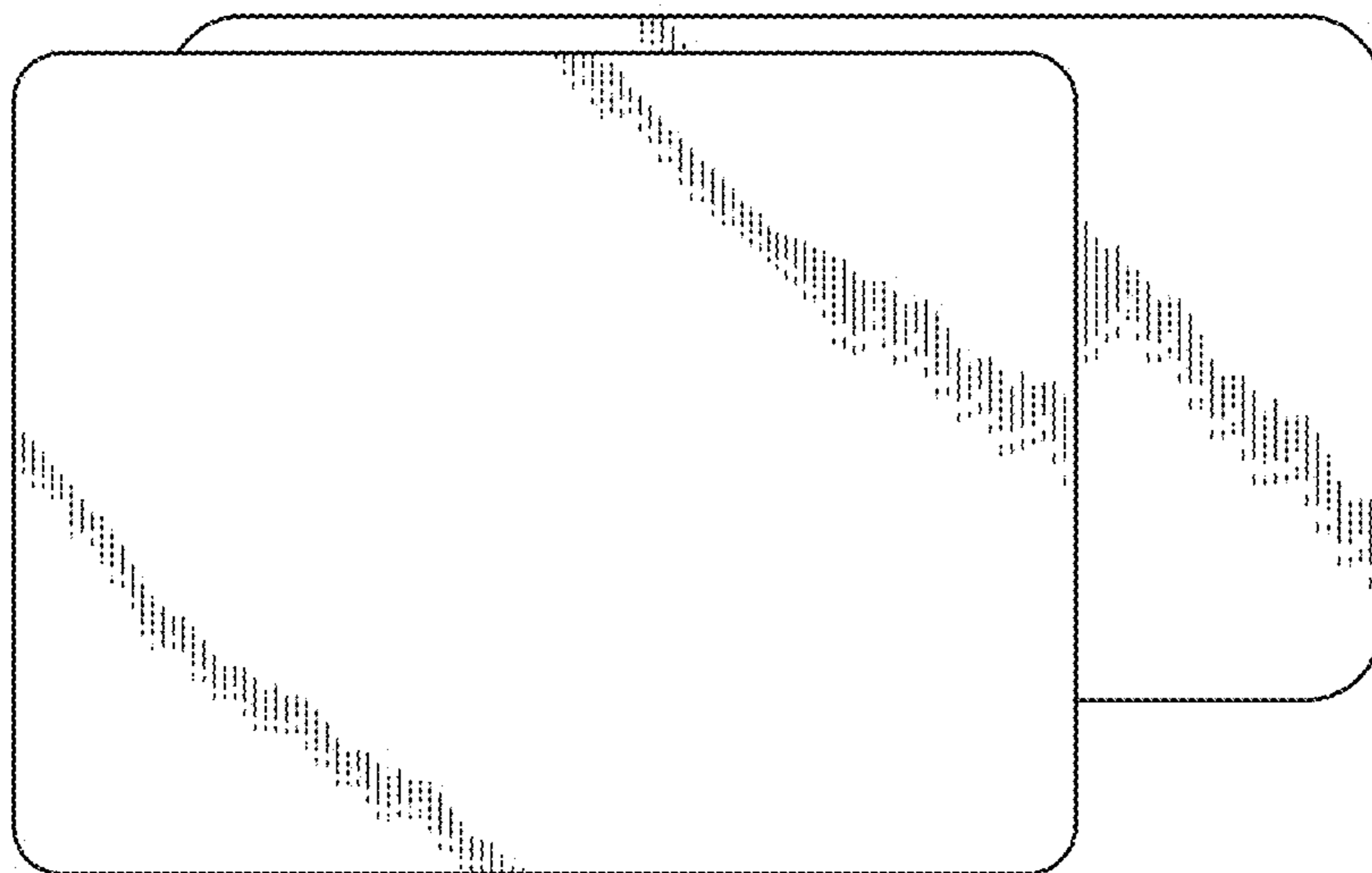


FIG. 8