



US00D980792S

(12) **United States Design Patent**
Cheng

(10) **Patent No.:** **US D980,792 S**
(45) **Date of Patent:** **** Mar. 14, 2023**

(54) **BATTERY**
(71) Applicant: **JUHEYUAN SCIENCE & TECHNOLOGY CO., LTD.**, Shenzhen (CN)
(72) Inventor: **Kewen Cheng**, Shenzhen (CN)
(73) Assignee: **JUHEYUAN SCIENCE & TECHNOLOGY CO., LTD.**, Shenzhen (CN)

D600,694 S * 9/2009 Sumii D14/356
D601,564 S * 10/2009 Maeno D21/333
8,524,386 B2 * 9/2013 Petrie H01M 50/216
429/96
D743,382 S * 11/2015 Katori D14/228
D750,314 S * 2/2016 Hobson D26/118
D774,455 S * 12/2016 Kim D13/108
D777,100 S * 1/2017 Price D13/103
D825,549 S * 8/2018 Lebovitz D14/253
D834,002 S * 11/2018 Bergfeldt D14/218
D865,768 S * 11/2019 Du D14/433
D918,204 S * 5/2021 Raken D14/388

(**) Term: **15 Years**

* cited by examiner

(21) Appl. No.: **29/778,701**

Primary Examiner — Nathaniel D. Buckner

(22) Filed: **Apr. 14, 2021**

(74) *Attorney, Agent, or Firm* — Ladas & Parry LLP

(51) **LOC (14) Cl.** **13-02**

(52) **U.S. Cl.**
USPC **D13/103**

(57) **CLAIM**

(58) **Field of Classification Search**

The ornamental design for a battery, as shown and described.

USPC D13/102–106, 110, 118–119, 184
CPC . Y02E 60/10; H01M 2220/30; H01M 50/209;
H01M 50/213; H01M 50/183; H01M
50/10; H01M 50/529; H01M 50/531;
H01M 10/0525; H01M 10/0436; H01M
10/052; H01M 10/0565; H01M 10/30;
H01M 10/345; H01M 10/425; H01M
2010/0495; B25F 5/02; B25F 5/00; A61B
2017/00734

DESCRIPTION

See application file for complete search history.

FIG. 1 is a rear, left, and bottom perspective view of a battery;
FIG. 2 is a front, right, and top perspective view thereof;
FIG. 3 is a front elevation view thereof;
FIG. 4 is a rear elevation view thereof;
FIG. 5 is a left side view thereof;
FIG. 6 is a right side view thereof;
FIG. 7 is a top view thereof; and,
FIG. 8 is a bottom view thereof.

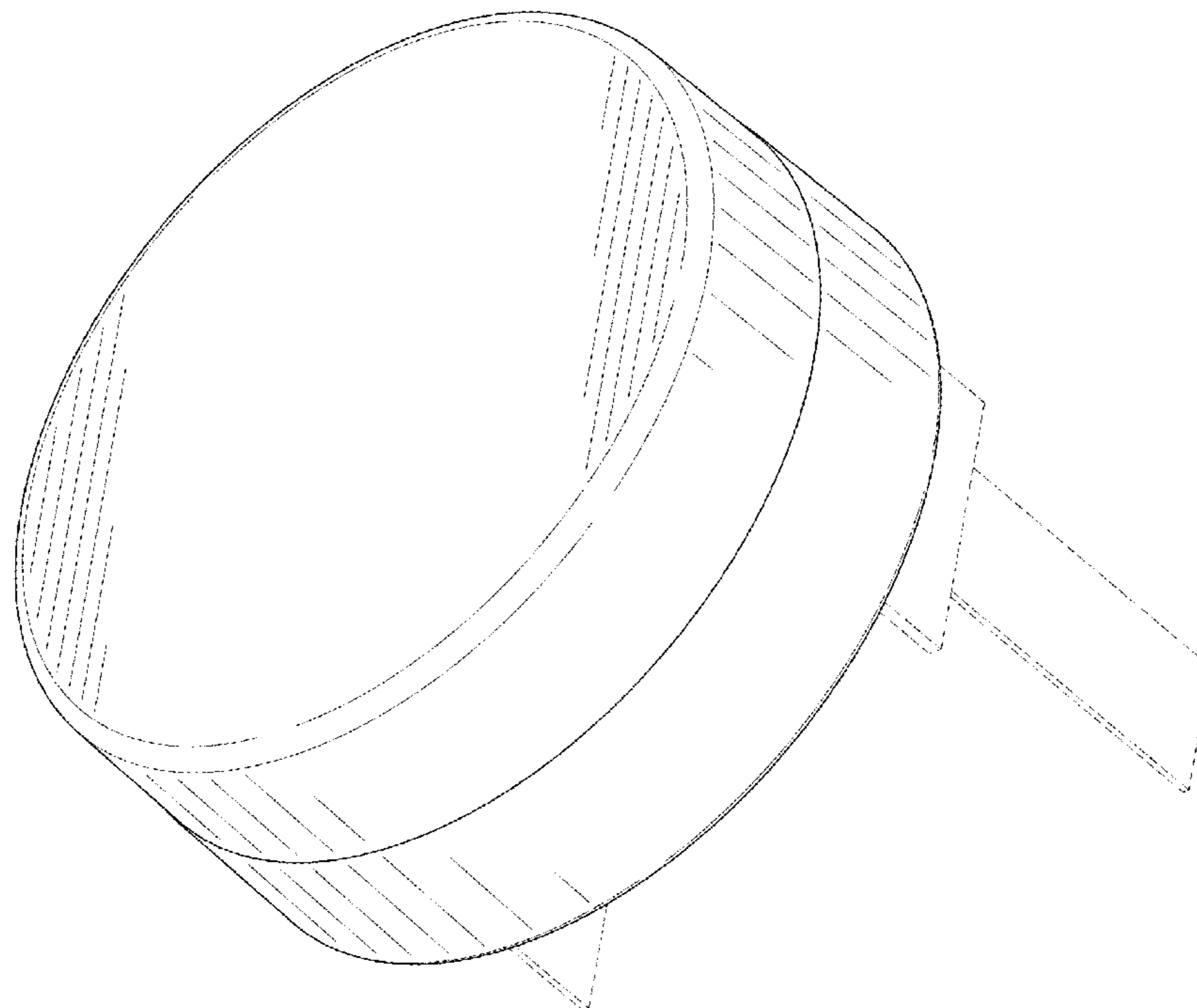
The broken (dashed) lines show portions of the battery that form no part of the claimed design.

(56) **References Cited**

U.S. PATENT DOCUMENTS

1 Claim, 8 Drawing Sheets

D426,807 S * 6/2000 Buckle D13/103
D598,018 S * 8/2009 Sumii D14/301



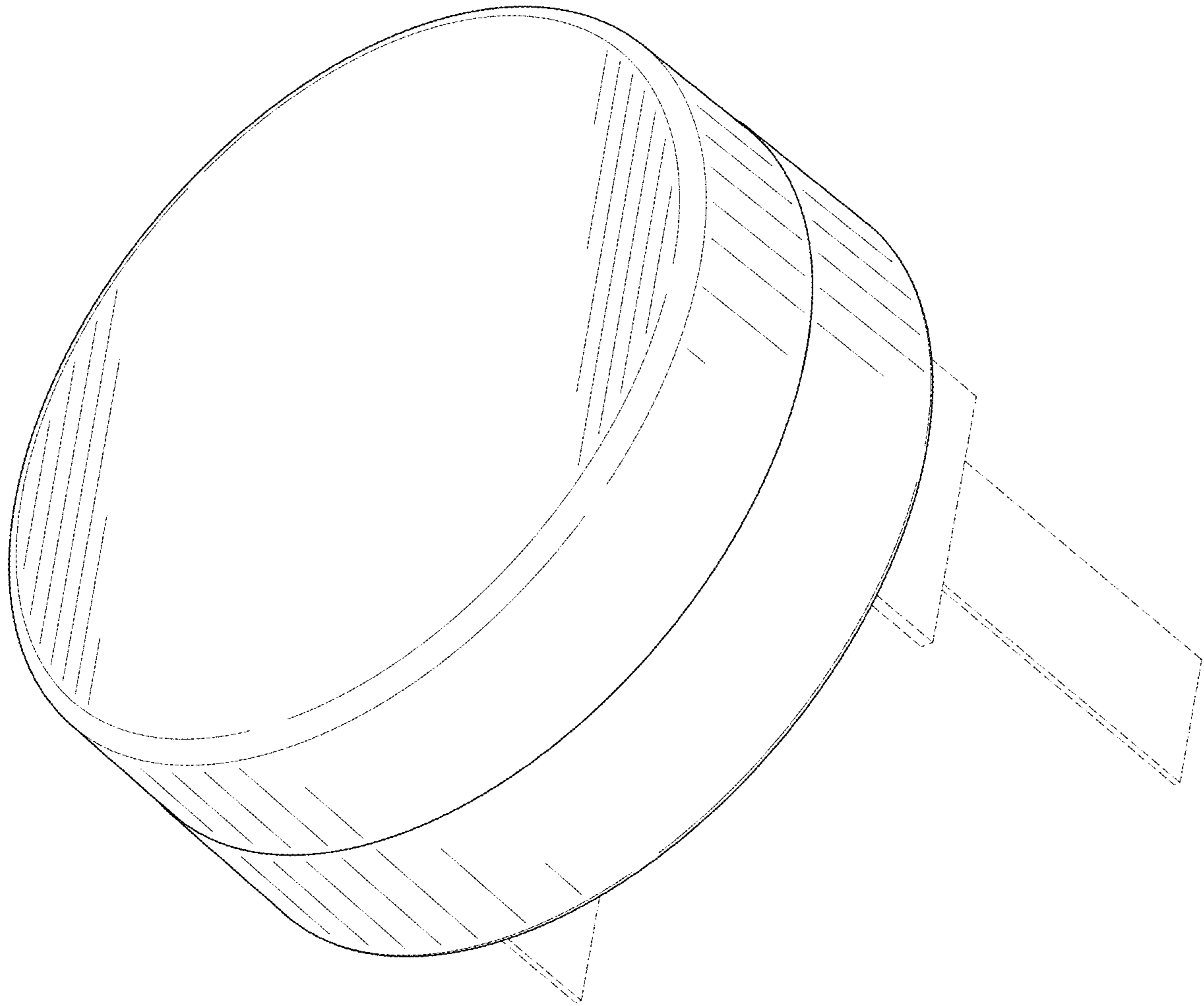


FIG. 1

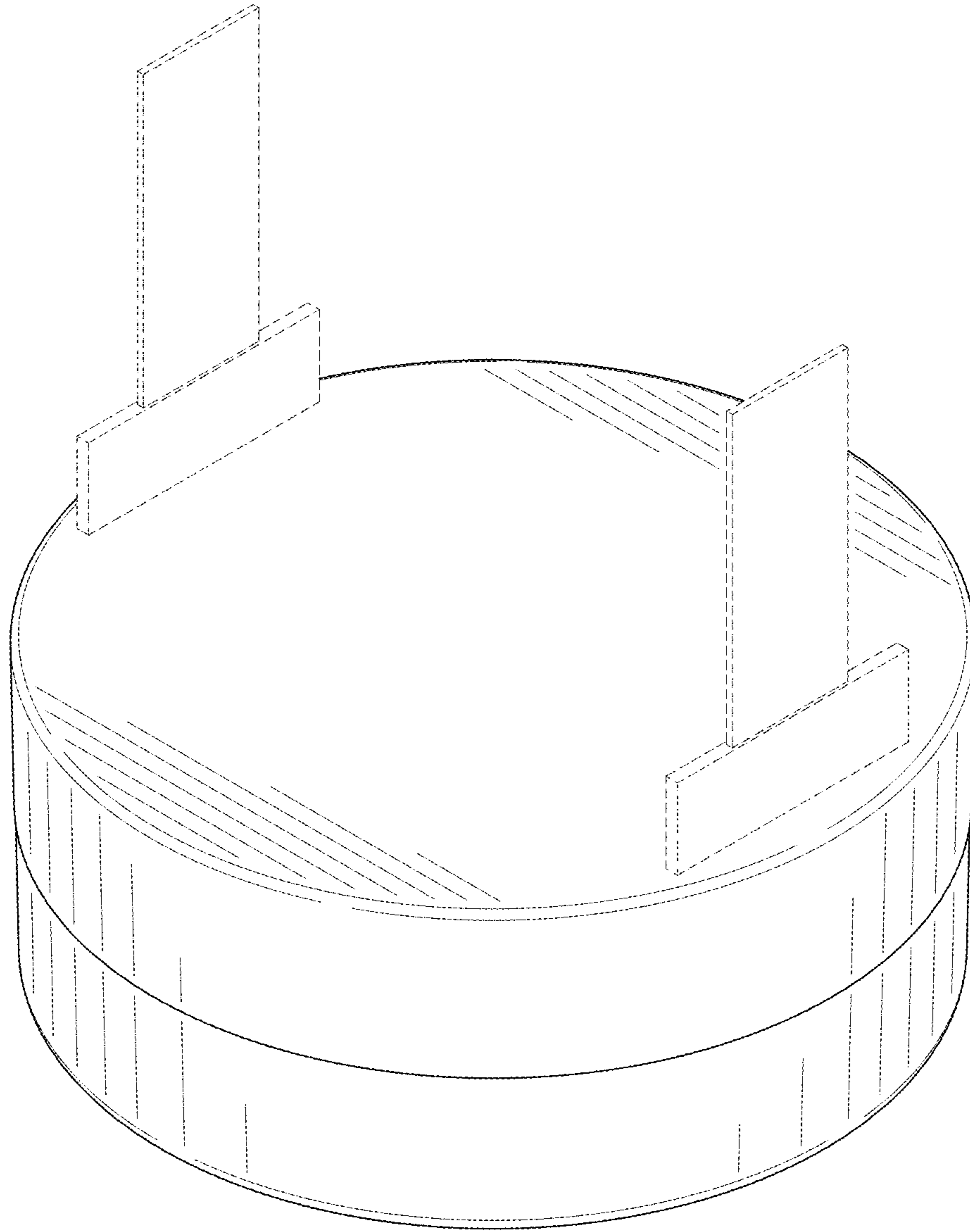


FIG. 2

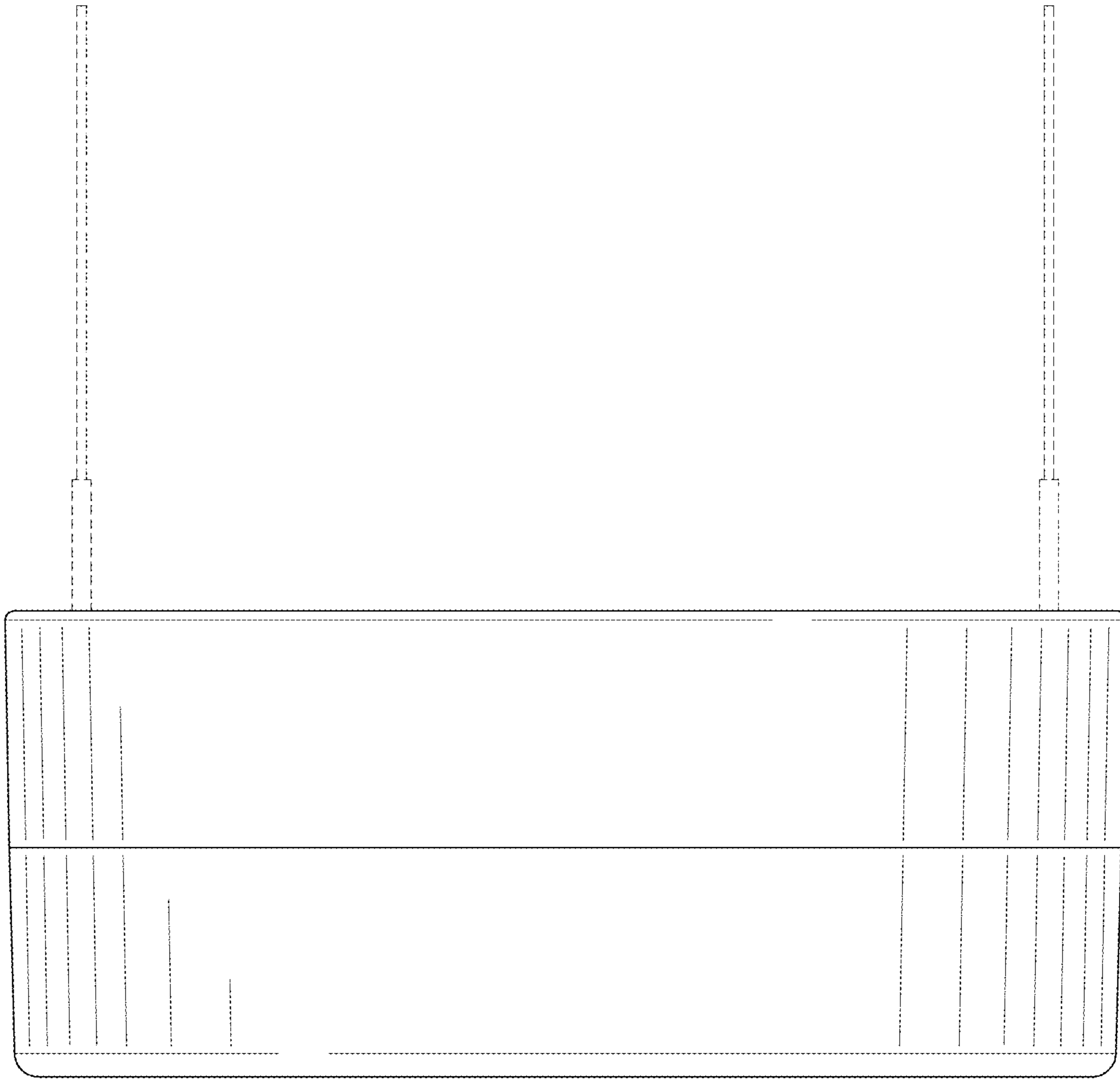


FIG. 3

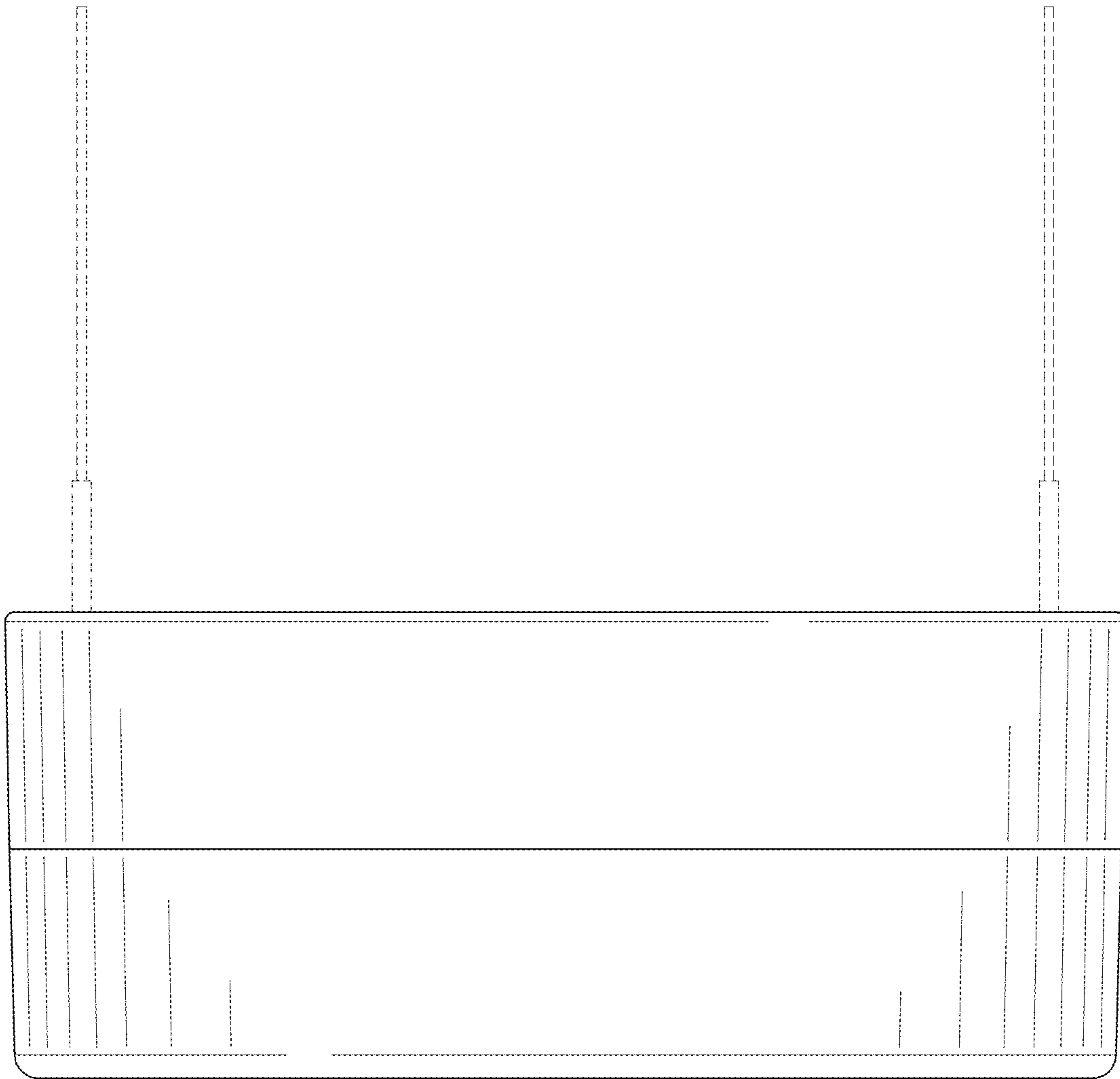


FIG. 4

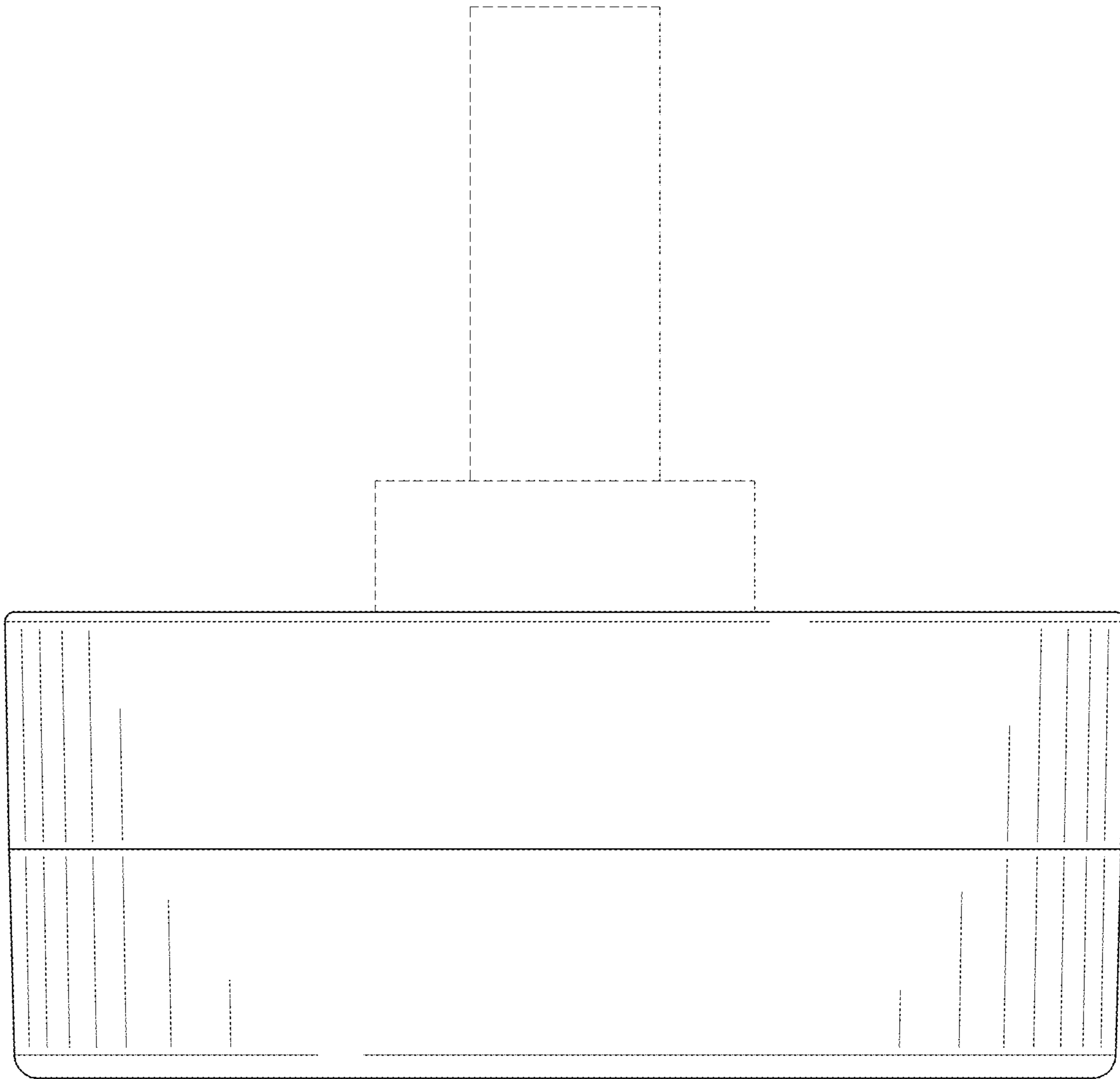


FIG. 5

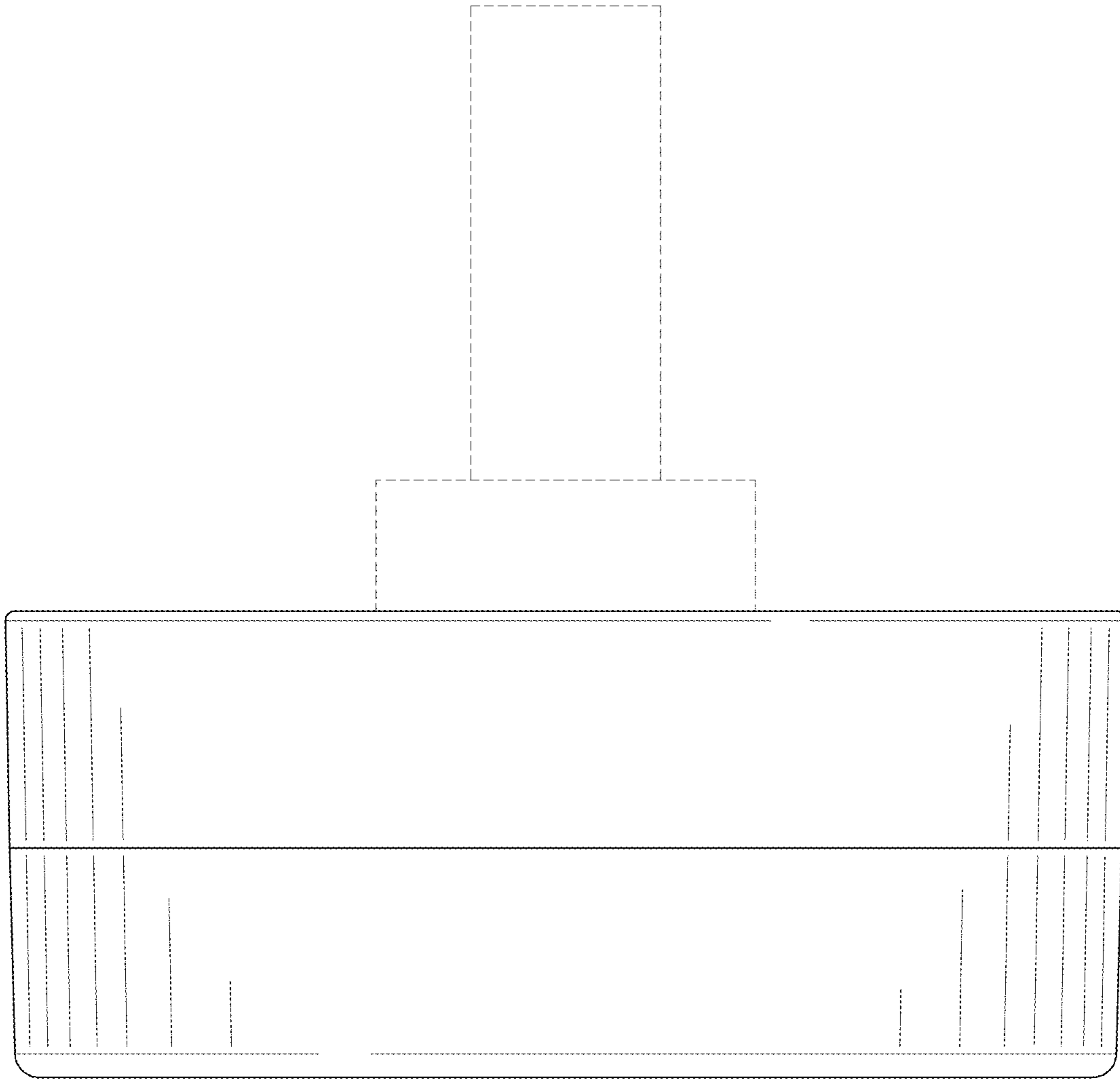


FIG. 6

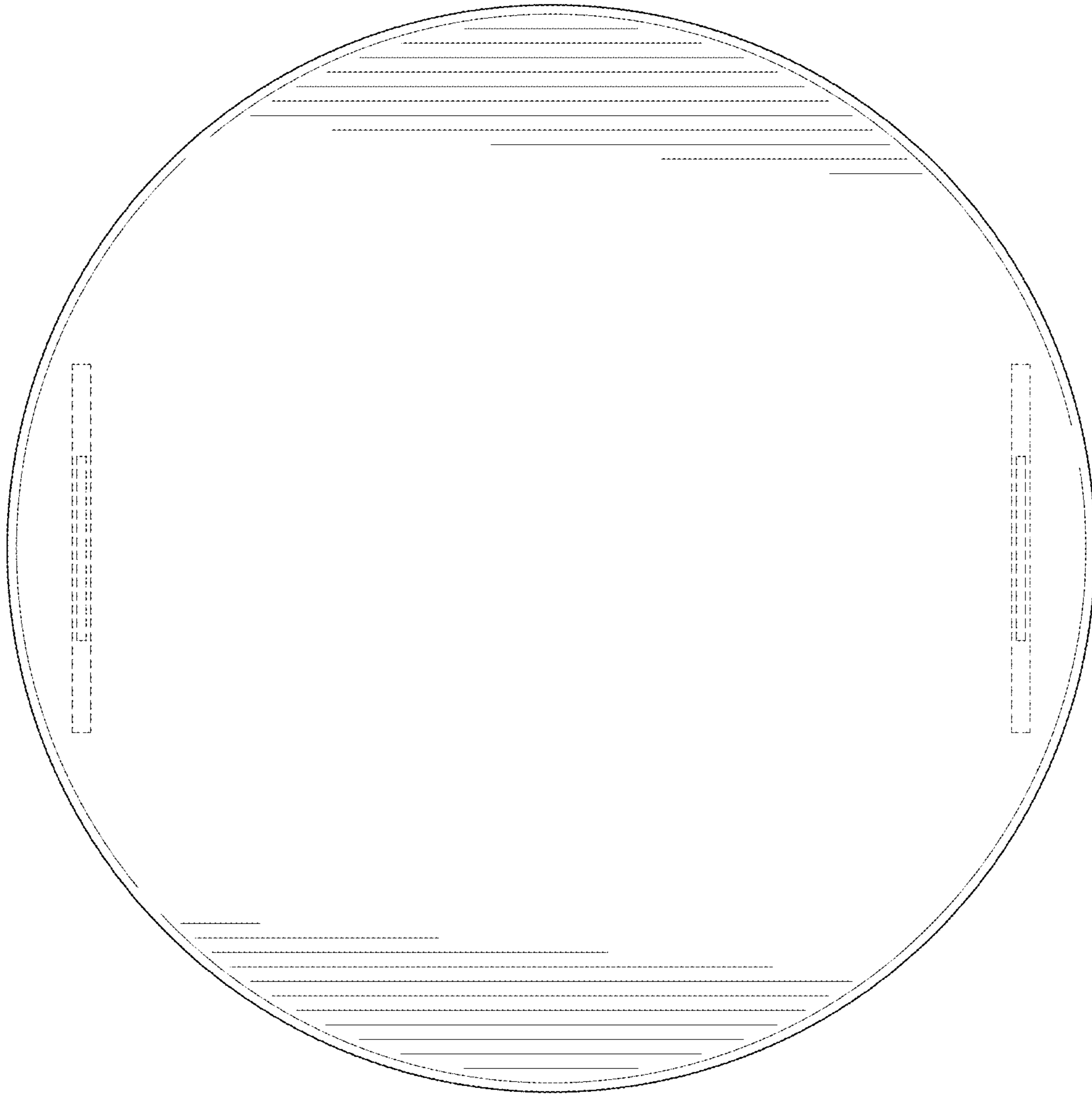


FIG. 7

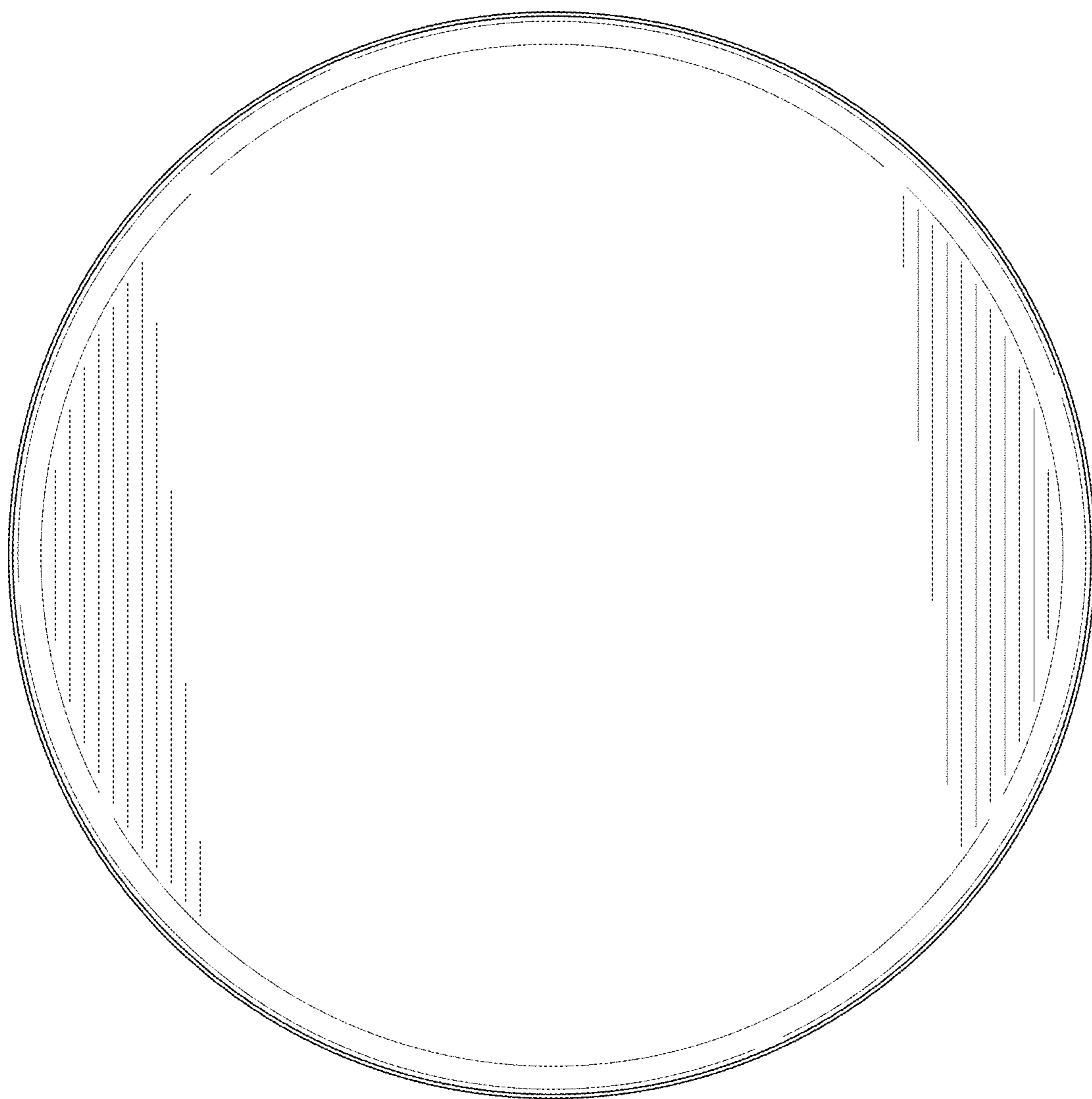


FIG. 8