



US00D980789S

(12) **United States Design Patent** (10) **Patent No.:** **US D980,789 S**  
**Gamble et al.** (45) **Date of Patent:** **\*\* Mar. 14, 2023**

(54) **WHEEL FOR A TOY VEHICLE**  
(71) Applicant: **Spin Master Ltd.**, Toronto (CA)  
(72) Inventors: **Lee Gamble**, Etobicoke (CA);  
**Matthew Lentini**, Toronto (CA)

4,736,943 A 4/1988 Fukuda et al.  
4,737,135 A 4/1988 Johnson et al.  
4,817,936 A 4/1989 Matsuda  
4,946,417 A 8/1990 Ishikawa et al.  
D323,135 S \* 1/1992 Thomas ..... D12/504  
5,259,429 A \* 11/1993 Harms ..... B60C 11/032  
152/209.15

(Continued)

(73) Assignee: **SPIN MASTER LTD.**, Toronto (CA)

(\*\*) Term: **15 Years**

(21) Appl. No.: **29/725,166**

(22) Filed: **Feb. 21, 2020**

(51) **LOC (14) Cl.** ..... **12-15**

(52) **U.S. Cl.**  
USPC ..... **D12/536**

(58) **Field of Classification Search**  
USPC ..... D12/537, 542, 544, 571, 577, 579, 536  
See application file for complete search history.

(56) **References Cited**

**U.S. PATENT DOCUMENTS**

2,731,765 A 1/1956 Carver  
3,471,963 A 10/1969 Tomiyama  
3,653,147 A 4/1972 Zbikowski et al.  
D223,817 S 6/1972 Halopoff  
3,798,832 A 3/1974 Terzian  
3,877,169 A 4/1975 Munday et al.  
D245,280 S 8/1977 Chesler  
4,087,935 A 5/1978 Edmisson  
4,259,805 A 4/1981 Hornsby, Jr.  
4,403,440 A 9/1983 Wulff  
D272,929 S 3/1984 Hilko  
4,464,860 A 8/1984 Onodera  
4,472,906 A 9/1984 Cook et al.  
D275,871 S 10/1984 Manning et al.  
4,483,096 A 11/1984 Gabler et al.  
4,717,367 A 1/1988 Stubenfol et al.  
4,732,569 A 3/1988 Hippely et al.

**FOREIGN PATENT DOCUMENTS**

CN 201030234 Y 3/2008  
CN 216061995 U 3/2022

(Continued)

**OTHER PUBLICATIONS**

CN216061995U, English Machine Translation (Google).

(Continued)

*Primary Examiner* — George D. Kirschbaum  
(74) *Attorney, Agent, or Firm* — Aird & McBurney LP

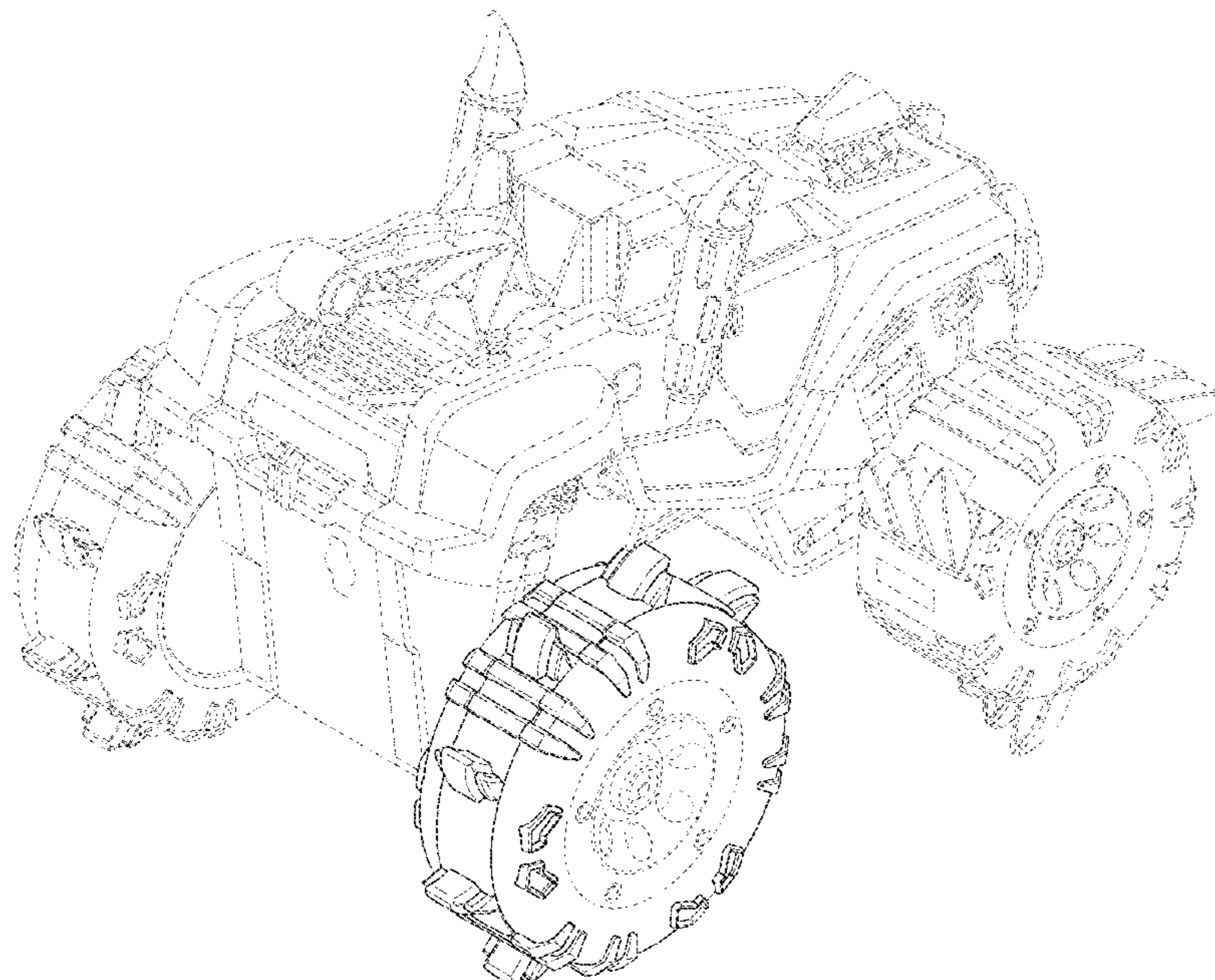
(57) **CLAIM**

The ornamental design for a wheel for a toy vehicle, as shown and described.

**DESCRIPTION**

FIG. 1 is a perspective view from above, to the rear and the right side of the new design for a wheel for a toy vehicle; FIG. 2 is a rear elevation view thereof; FIG. 3 is a front elevation view thereof; FIG. 4 is a left side elevation view thereof; FIG. 5 is a right side elevation view thereof; FIG. 6 is a top plan view thereof; and, FIG. 7 is a bottom plan view thereof. In the drawings, the broken lines are for the purpose of illustrating portions of the article that form no part of the claimed design.

**1 Claim, 7 Drawing Sheets**



(56)

References Cited

U.S. PATENT DOCUMENTS

5,292,275 A 3/1994 Swisher et al.  
 5,334,078 A 8/1994 Hippely et al.  
 5,372,534 A 12/1994 Levy et al.  
 D377,956 S 2/1997 Chuang  
 D424,634 S 5/2000 Hollis et al.  
 D449,804 S \* 10/2001 Lo ..... D12/558  
 D527,689 S 9/2006 LeBlanc, Sr. et al.  
 D534,967 S 1/2007 Clark et al.  
 D590,743 S 4/2009 Waters et al.  
 D760,119 S 6/2016 Leyrikh  
 D766,165 S \* 9/2016 Chen ..... D12/544  
 9,757,659 B2 9/2017 Hashemi et al.  
 D815,986 S 4/2018 Zhang et al.  
 9,950,267 B2 4/2018 McDonald et al.  
 D853,887 S 7/2019 Samokhvalov  
 D869,384 S \* 12/2019 Hsueh ..... D12/544  
 D885,974 S 6/2020 Al Attar  
 D893,403 S \* 8/2020 Xu ..... D12/544  
 D899,301 S 10/2020 Samokhvalov et al.  
 D931,950 S 9/2021 Chen  
 2002/0098770 A1 7/2002 Mesch  
 2002/0111118 A1 8/2002 Klitsner et al.  
 2003/0228826 A1 12/2003 Dougherty et al.  
 2004/0002286 A1 1/2004 Agostini et al.  
 2006/0099879 A1 5/2006 McGrath  
 2007/0173172 A1 7/2007 Yu et al.

2007/0259599 A1 11/2007 Swisher et al.  
 2007/0259603 A1 11/2007 Hippely  
 2008/0017426 A1 1/2008 Walters et al.  
 2008/0070472 A1 3/2008 Campbell  
 2008/0070473 A1 3/2008 Yu et al.  
 2011/0053457 A1 3/2011 Rehkemper et al.  
 2012/0264351 A1 10/2012 Ichikawa  
 2014/0248821 A1 9/2014 Hippely et al.  
 2019/0060772 A1 2/2019 Hamel et al.  
 2019/0160385 A1 5/2019 McDonald  
 2021/0260494 A1 8/2021 Gamble et al.

FOREIGN PATENT DOCUMENTS

EP 3488907 A1 5/2019  
 FR 861386 4/1987  
 GB 2367766 A 4/2002

OTHER PUBLICATIONS

CN201030234, English Machine Translation (Google).  
 EP 21158413, European Search Report, European Patent Office, Aug. 9, 2021.  
 Powerful Dinosaur Monster Truck, available on Amazon.com, customer review oldest date Sep. 2, 2019, [site visited Oct. 4, 2021], Available URL: <https://www.amazon.com/Powerful-Dinosaur-Monster-Chomping-Roaring/dp/B07TTTXB1F/> (Year: 2019).

\* cited by examiner

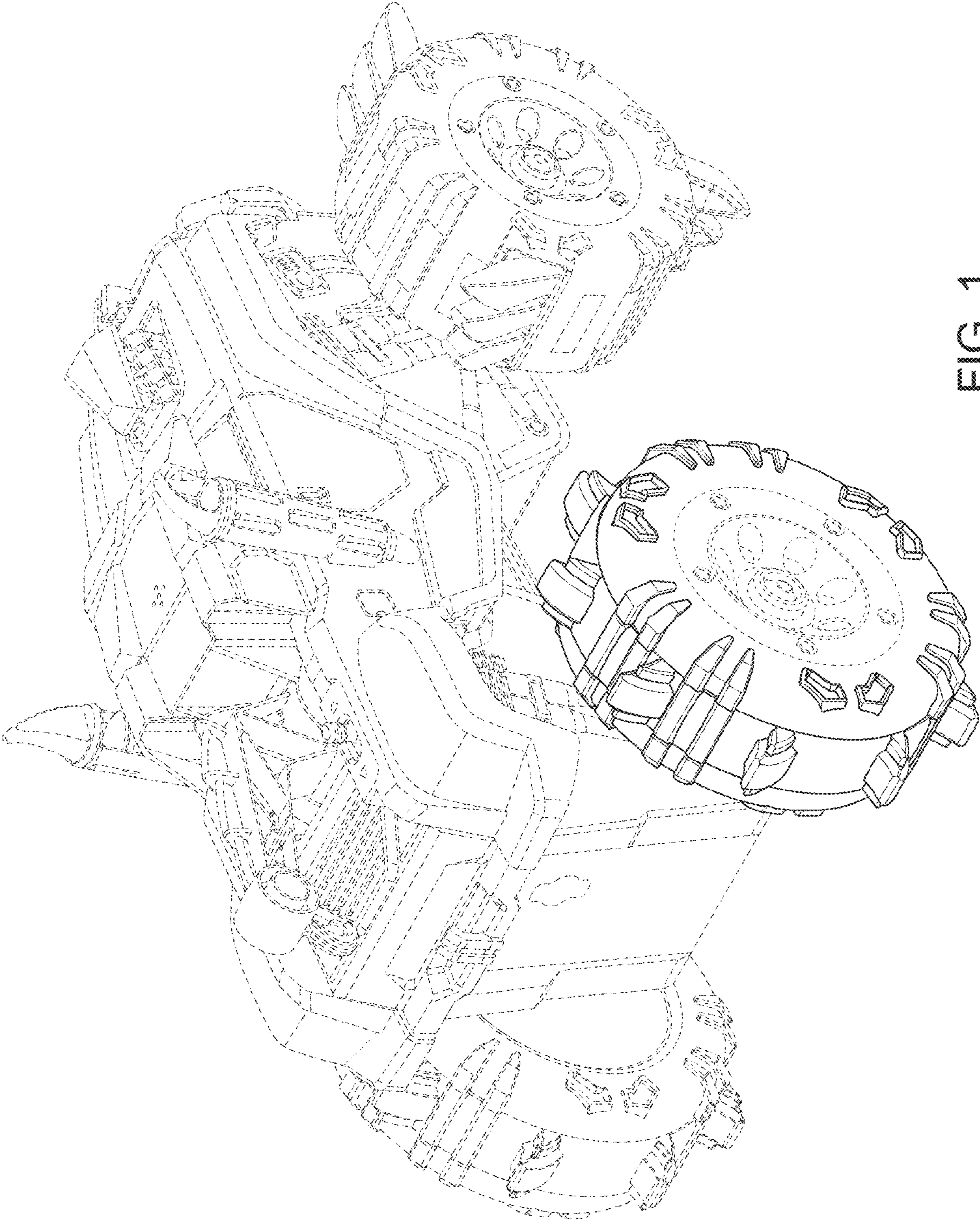


FIG. 1

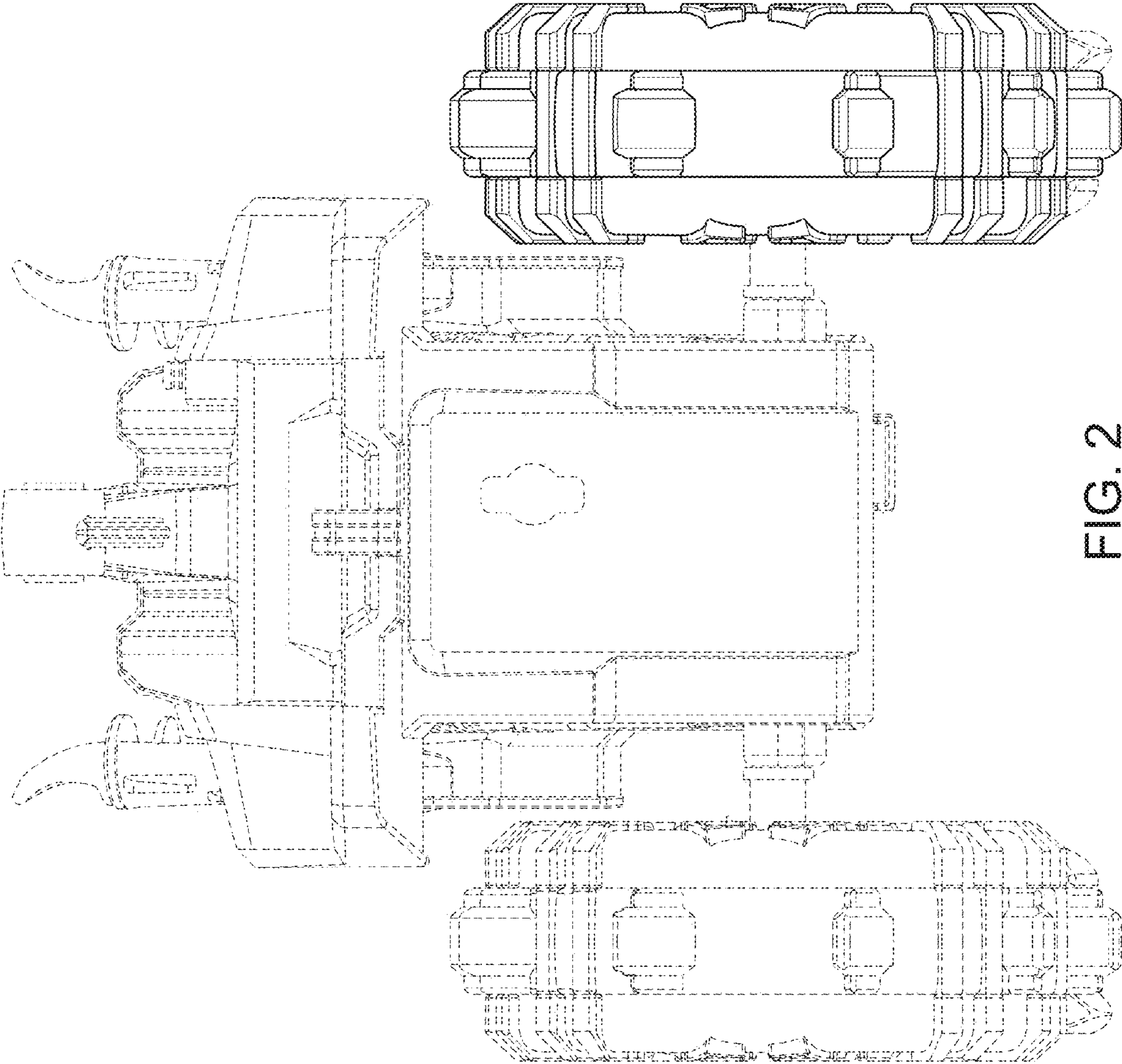


FIG. 2

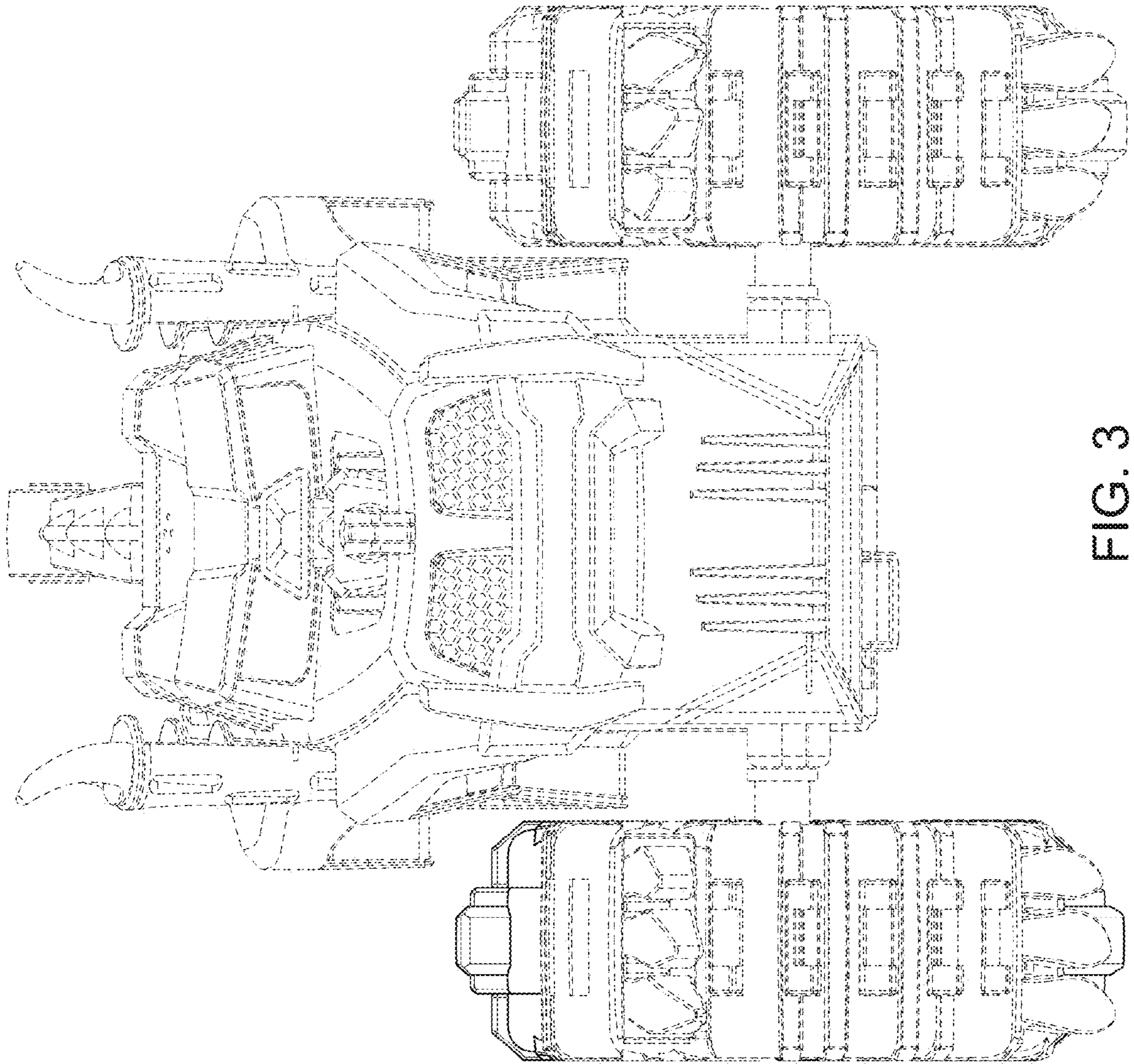


FIG. 3

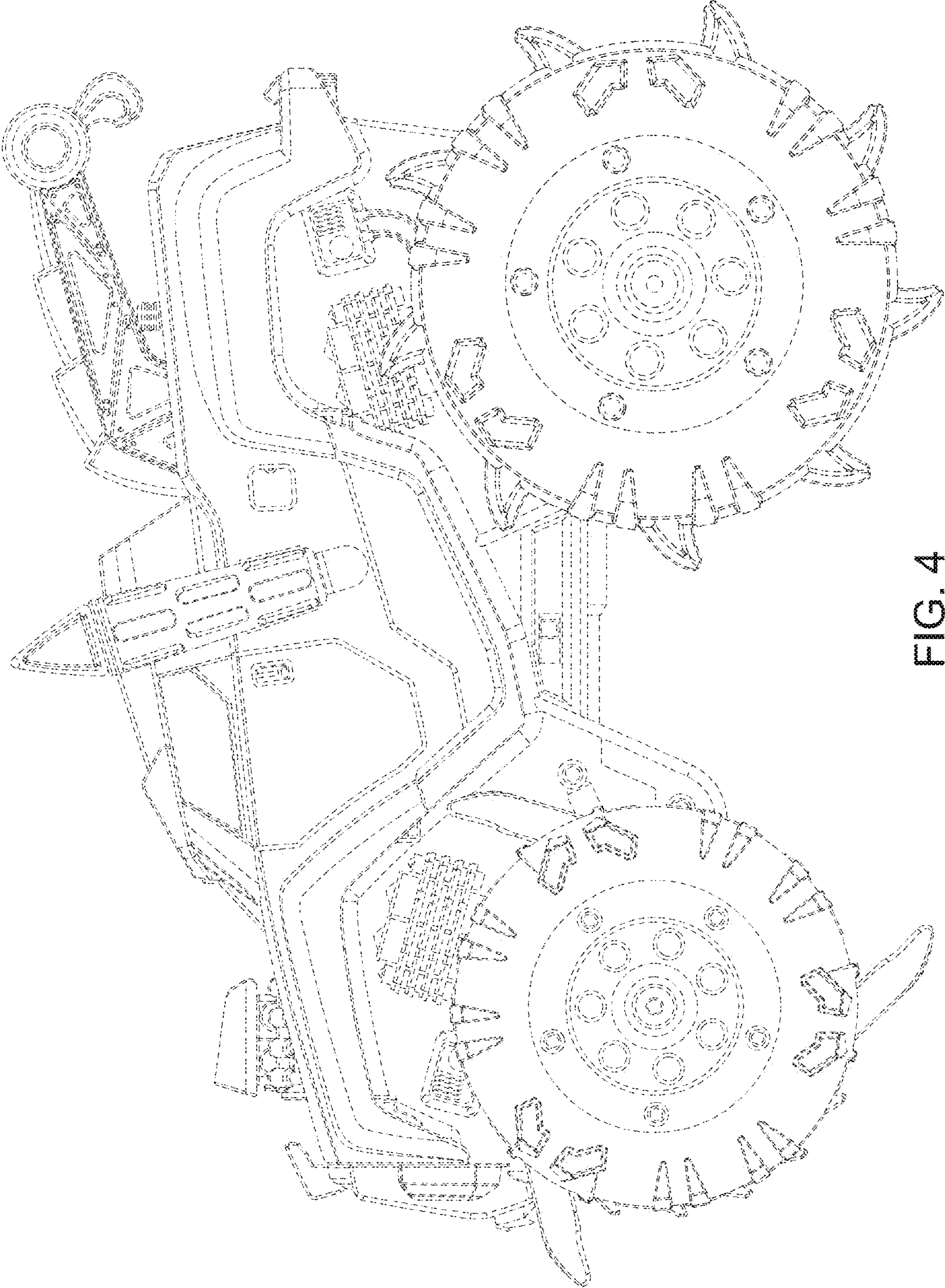


FIG. 4

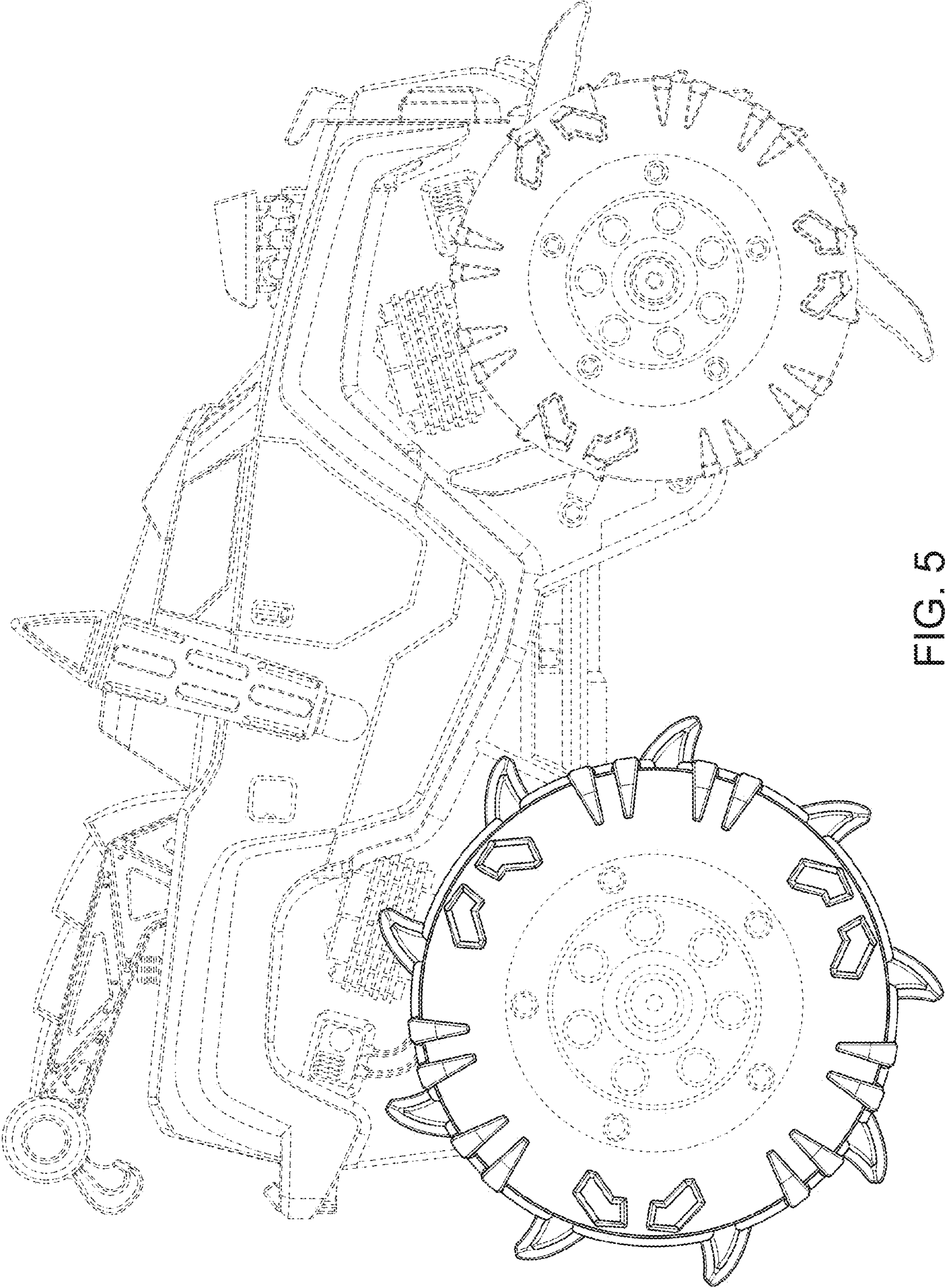


FIG. 5

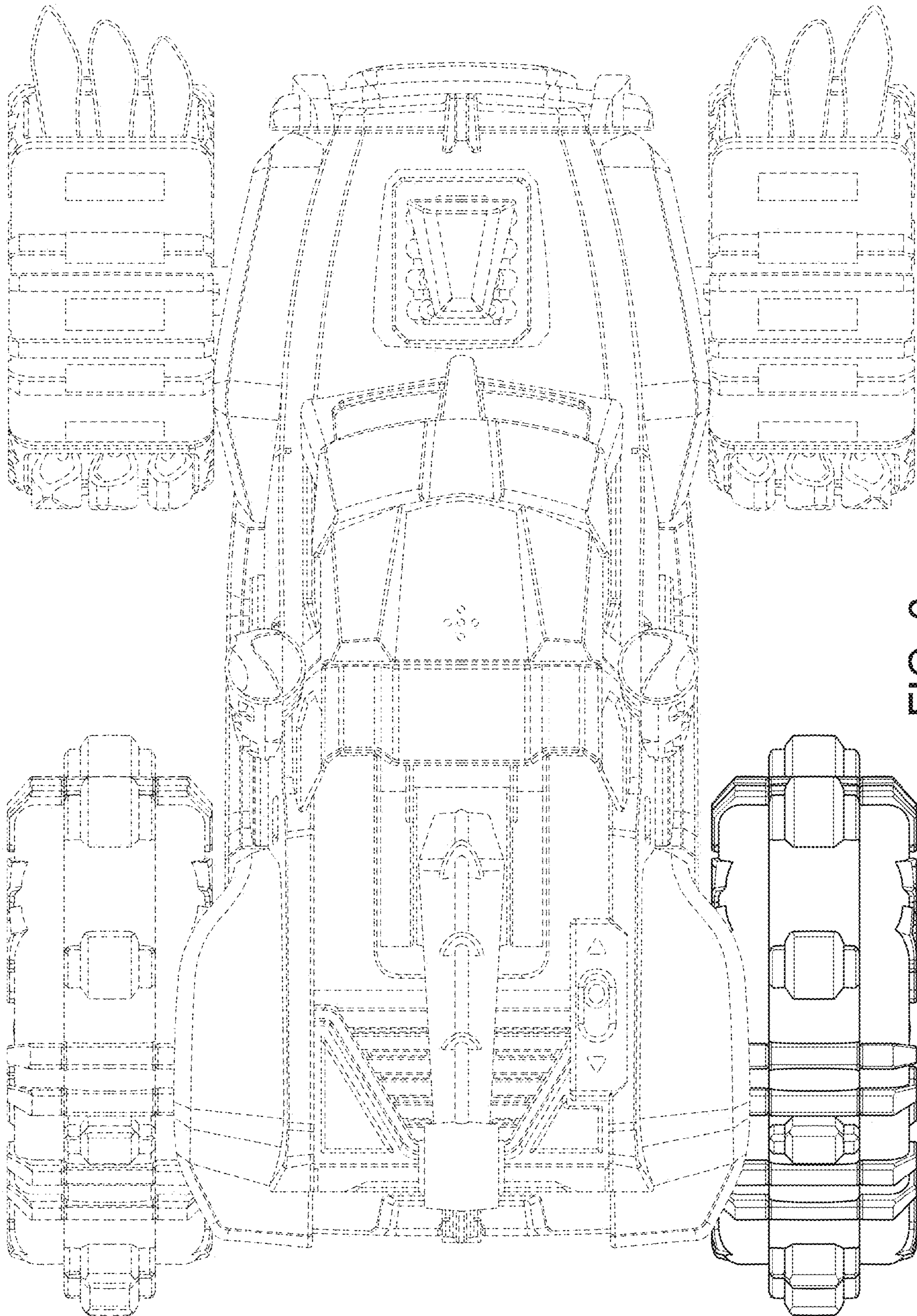


FIG. 6



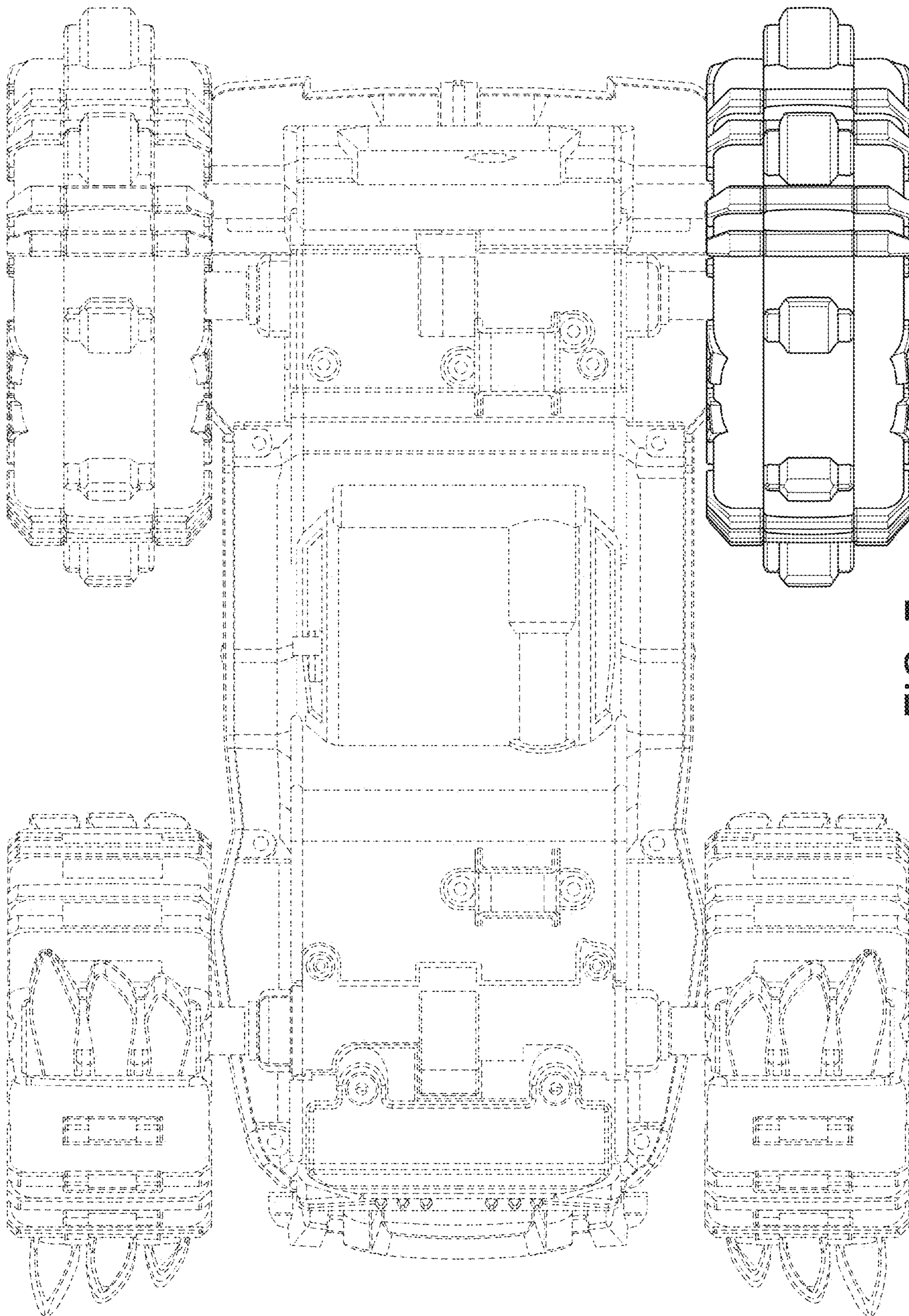


FIG. 7