



US00D980787S

(12) **United States Design Patent**
Miyazaki

(10) **Patent No.:** **US D980,787 S**

(45) **Date of Patent:** **** Mar. 14, 2023**

(54) **TIRE**

(71) Applicant: **Toyo Tire Corporation**, Itami (JP)

(72) Inventor: **Tetsuji Miyazaki**, Itami (JP)

(73) Assignee: **Toyo Tire Corporation**, Itami (JP)

(**) Term: **15 Years**

(21) Appl. No.: **29/776,404**

(22) Filed: **Mar. 30, 2021**

(30) **Foreign Application Priority Data**

Oct. 12, 2020 (JP) 2020-021846 D

(51) **LOC (14) Cl.** **12-15**

(52) **U.S. Cl.**
USPC **D12/531**

(58) **Field of Classification Search**
USPC D12/500-532, 604, 900
CPC Y10T 152/10027; B60C 1/0016; B60C
11/0306; B60C 11/0302; B60C 3/06;
B60C 9/17
See application file for complete search history.

(56) **References Cited**

U.S. PATENT DOCUMENTS

D662,463 S * 6/2012 Youn D12/601
D673,899 S * 1/2013 Uphouse D12/600
D674,743 S * 1/2013 Uphouse D12/600
D833,961 S * 11/2018 Wang D12/532

D876,330 S 2/2020 Poling et al.
D884,582 S 5/2020 Shibayama
D885,320 S * 5/2020 Haanketo D12/594
D888,653 S 6/2020 Parr et al.
D900,009 S * 10/2020 Fatima D12/521
D904,287 S * 12/2020 Binder D12/594
D911,919 S * 3/2021 Miyazaki D12/601
D925,440 S * 7/2021 Inada D12/588

* cited by examiner

Primary Examiner — John A Voytek

(74) *Attorney, Agent, or Firm* — Sterne, Kessler,
Goldstein & Fox P.L.L.C.

(57) **CLAIM**

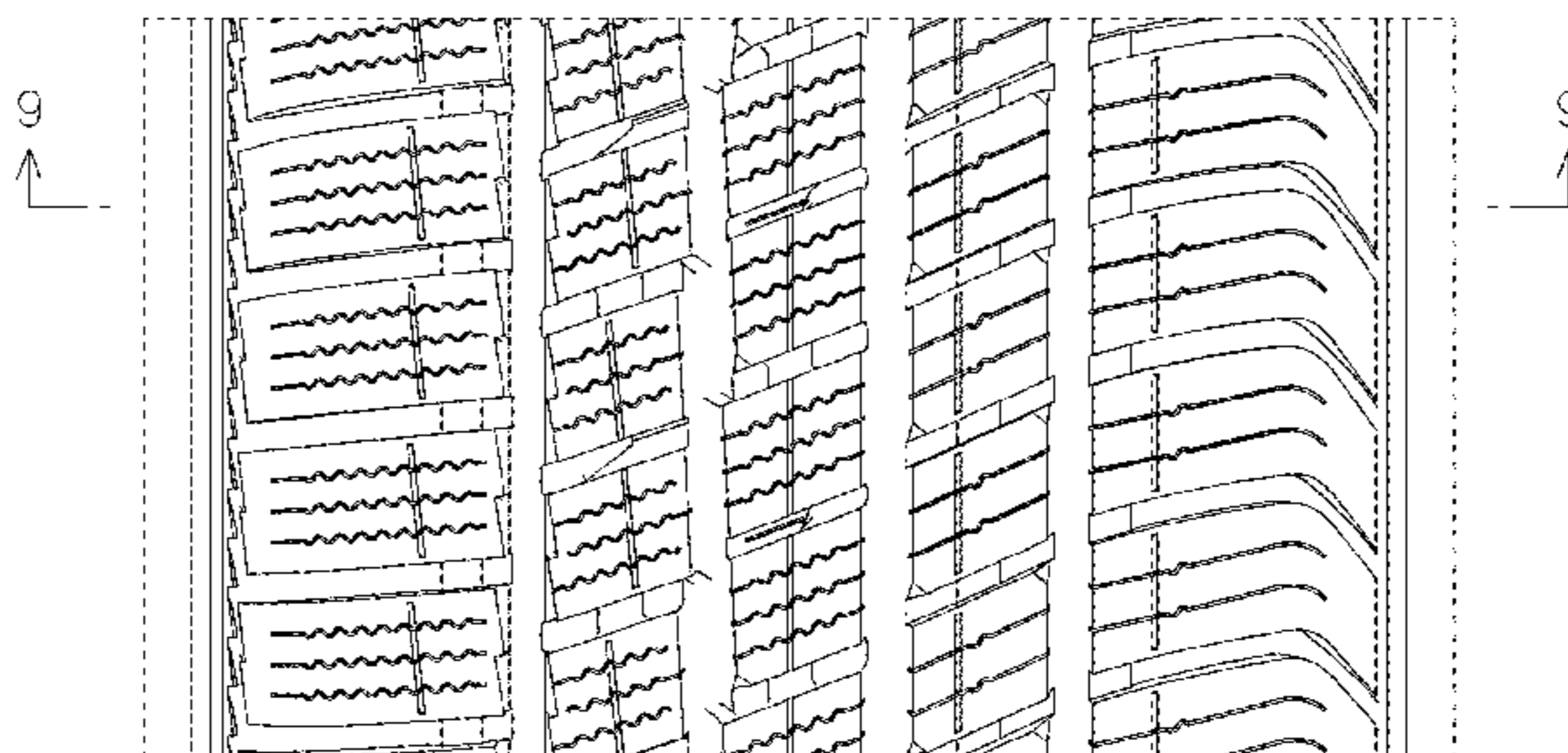
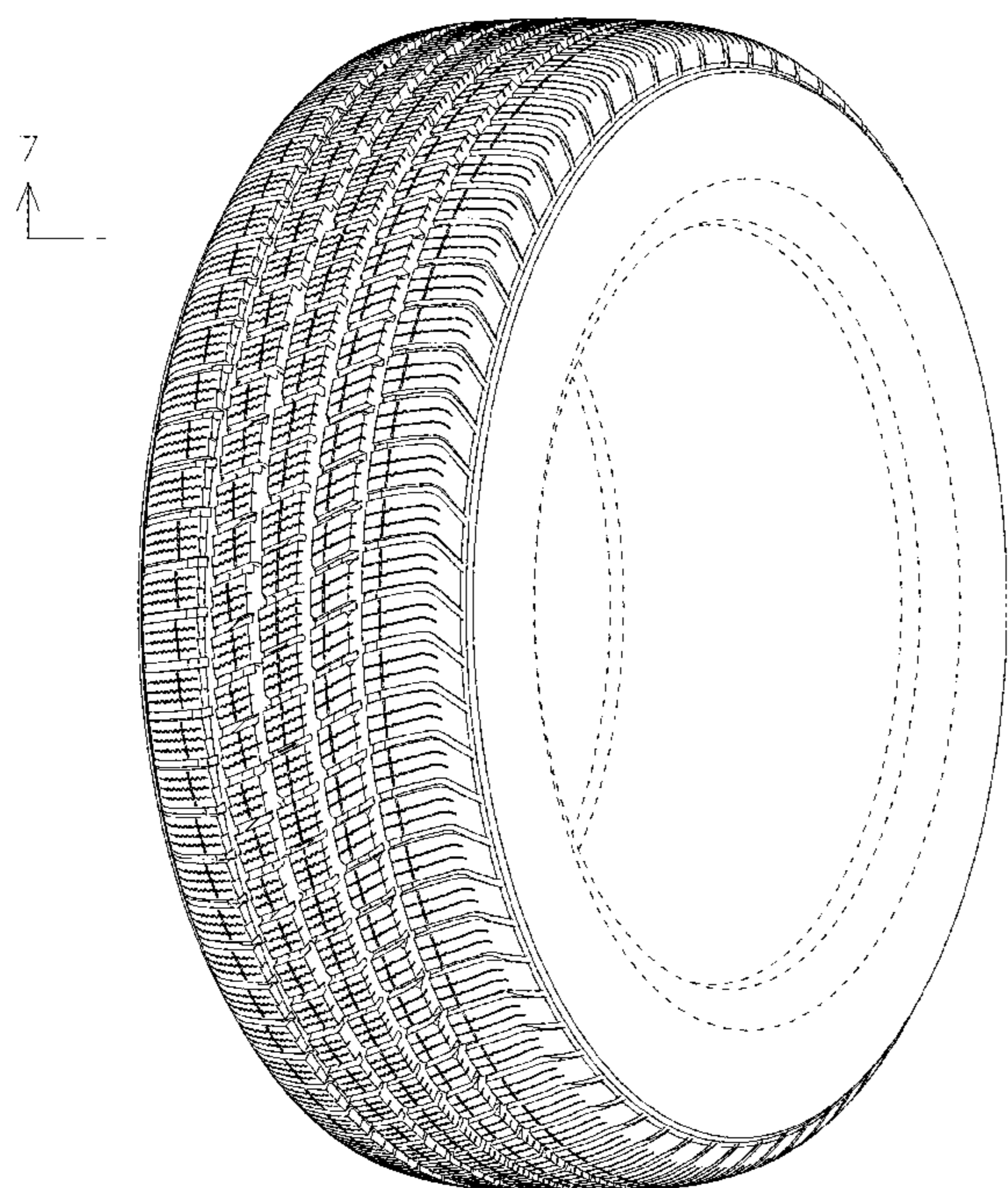
The ornamental design for a tire, as shown and described.

DESCRIPTION

FIG. 1 is a front perspective view of a tire showing the claimed design;
FIG. 2 is a front view thereof;
FIG. 3 is a rear view thereof;
FIG. 4 is a top plan view thereof, the bottom plan view being the same;
FIG. 5 is a right side view thereof;
FIG. 6 is a left side view thereof;
FIG. 7 is an enlarged view taken along line 7-7 in FIG. 1;
FIG. 8 is an enlarged view of the portion 8-8 in FIG. 2; and,
FIG. 9 is a cross-sectional view taken along line 9-9 in FIG. 8.

In the drawings, the broken lines show portions of the tire that form no part of the claimed design.

1 Claim, 9 Drawing Sheets



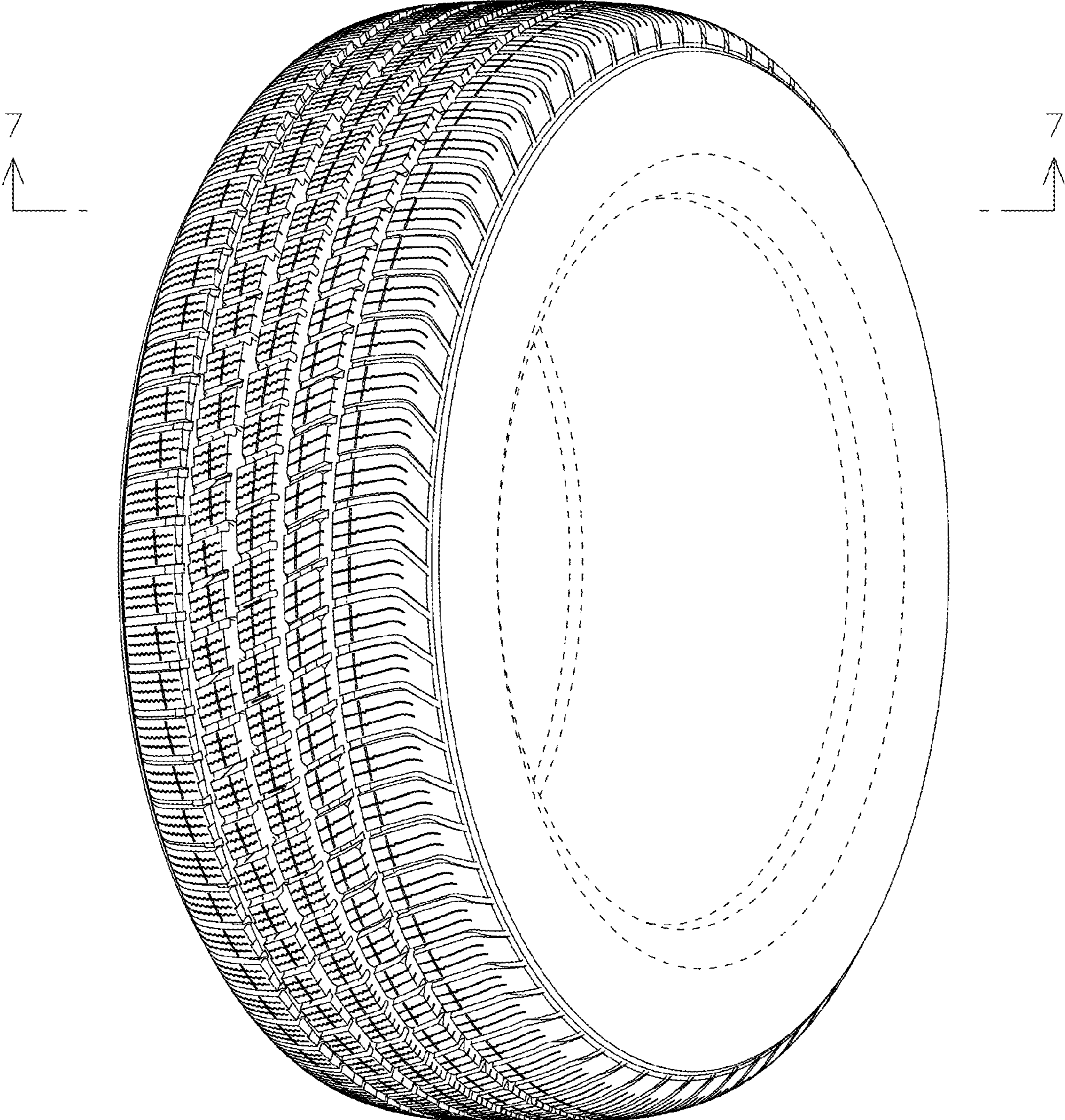


FIG. 1

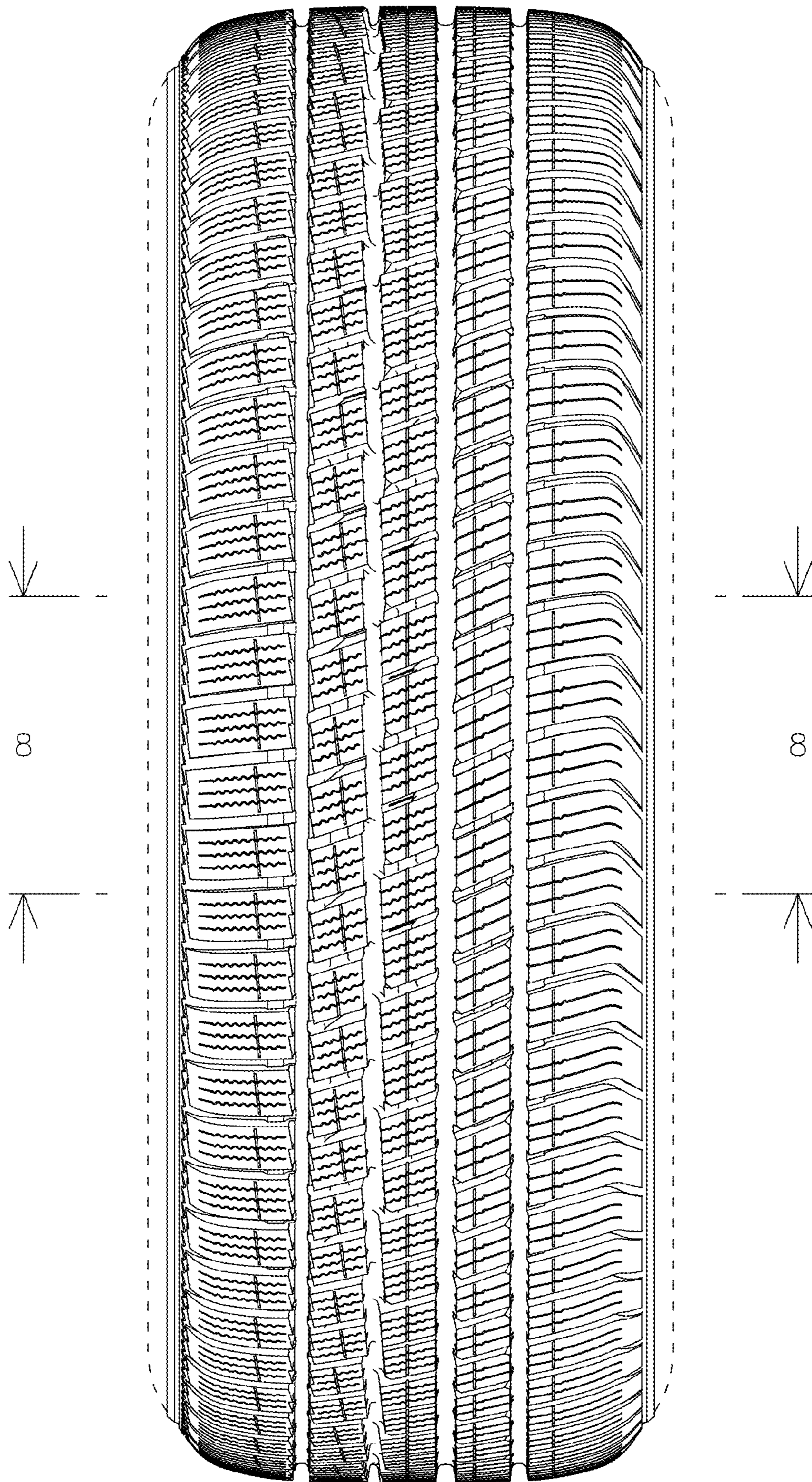


FIG. 2

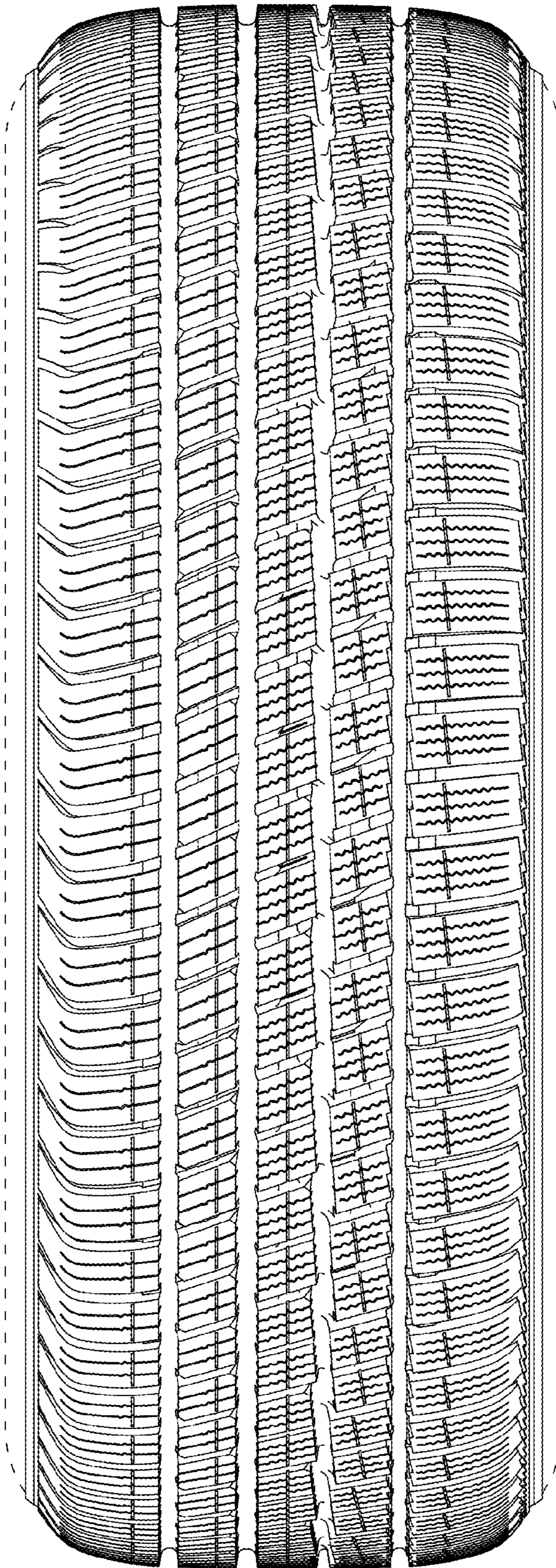


FIG. 3

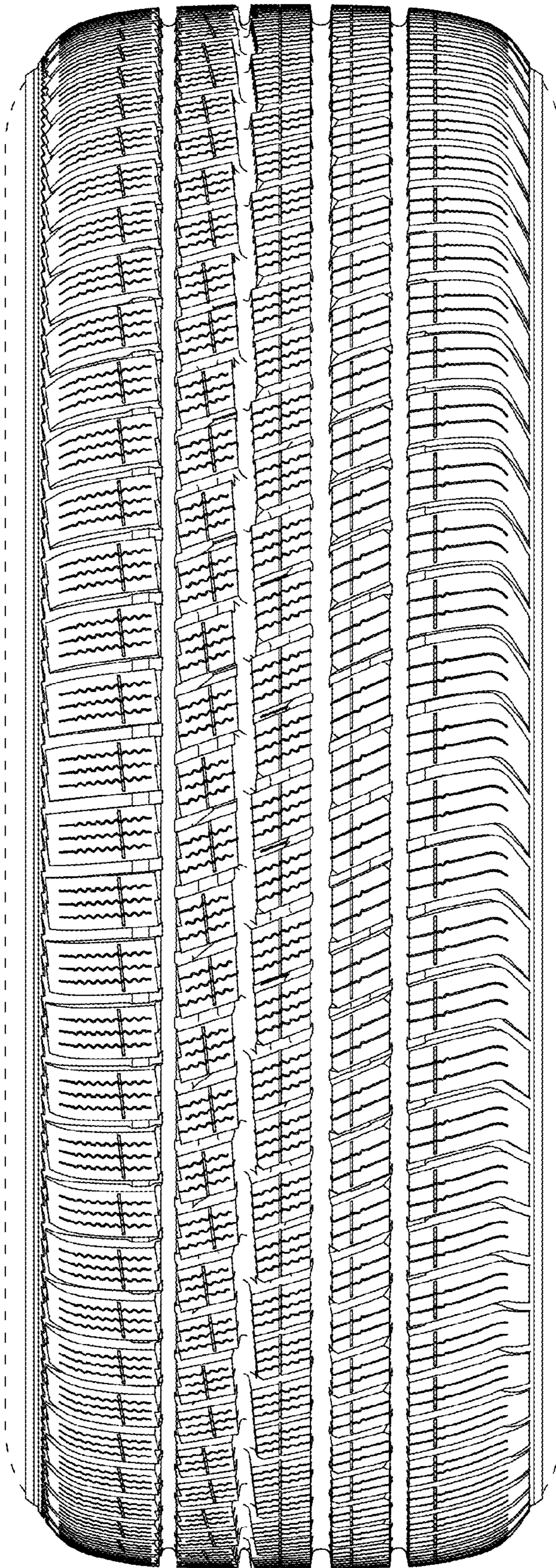


FIG. 4

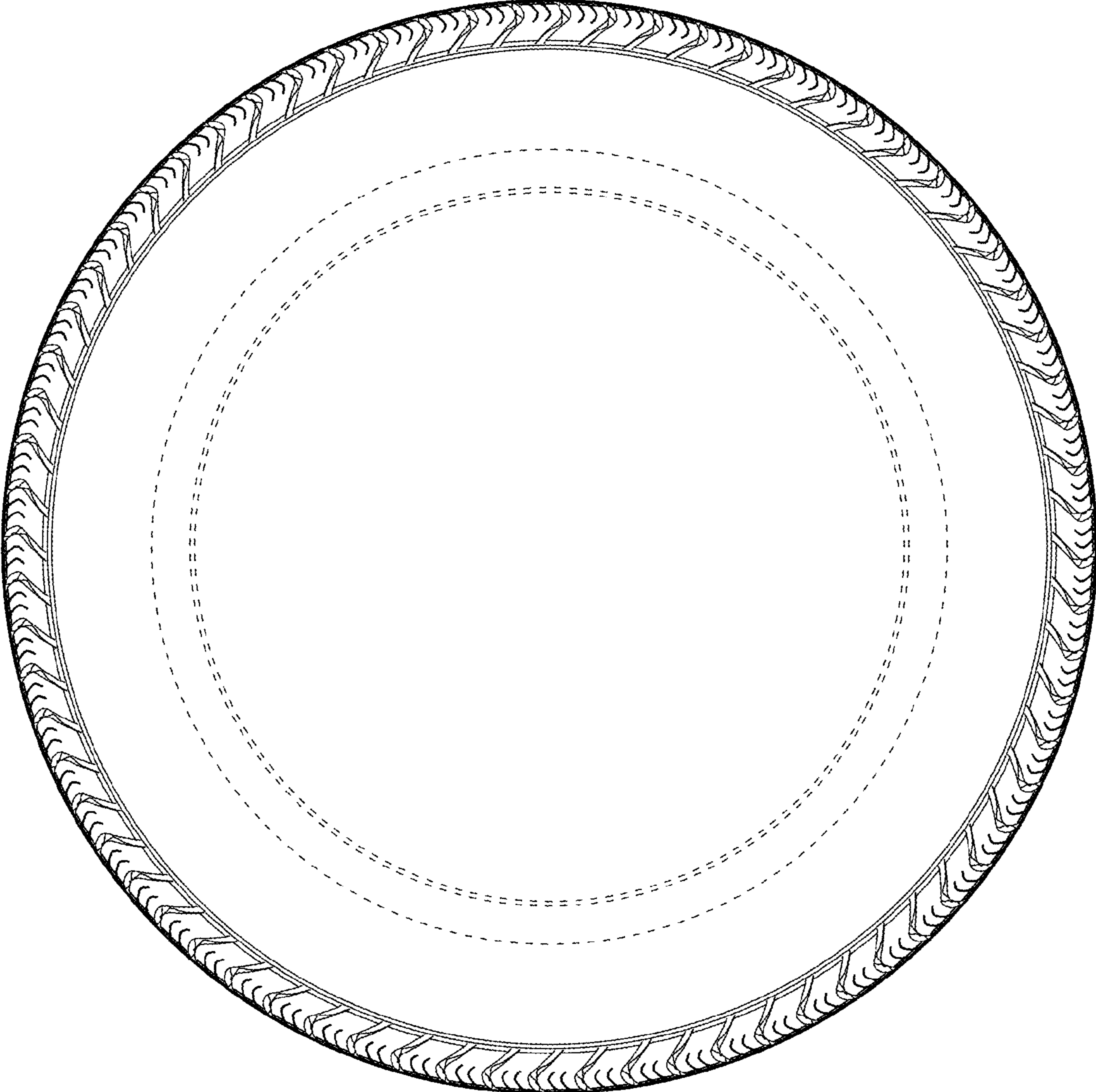


FIG. 5

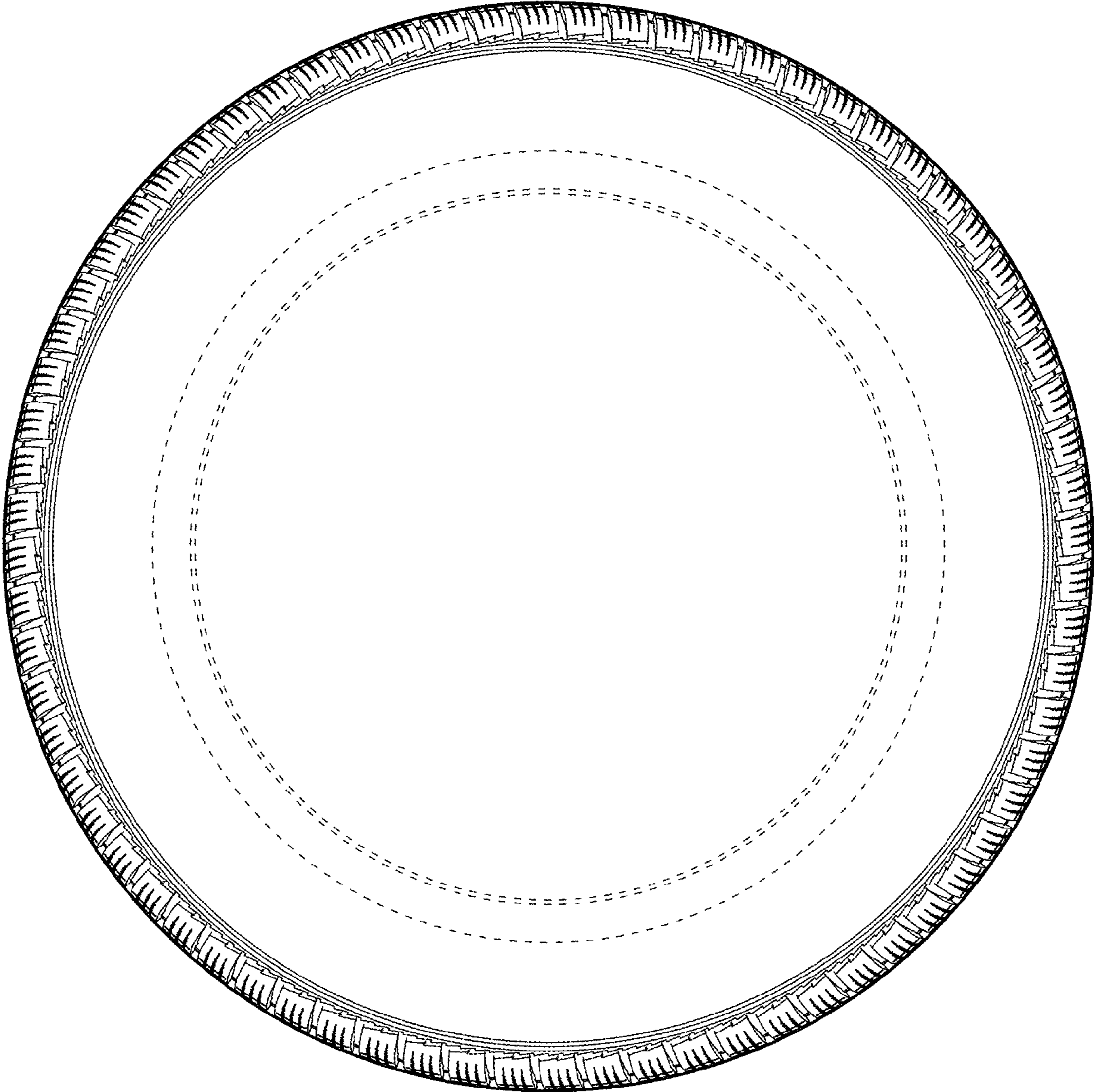


FIG. 6

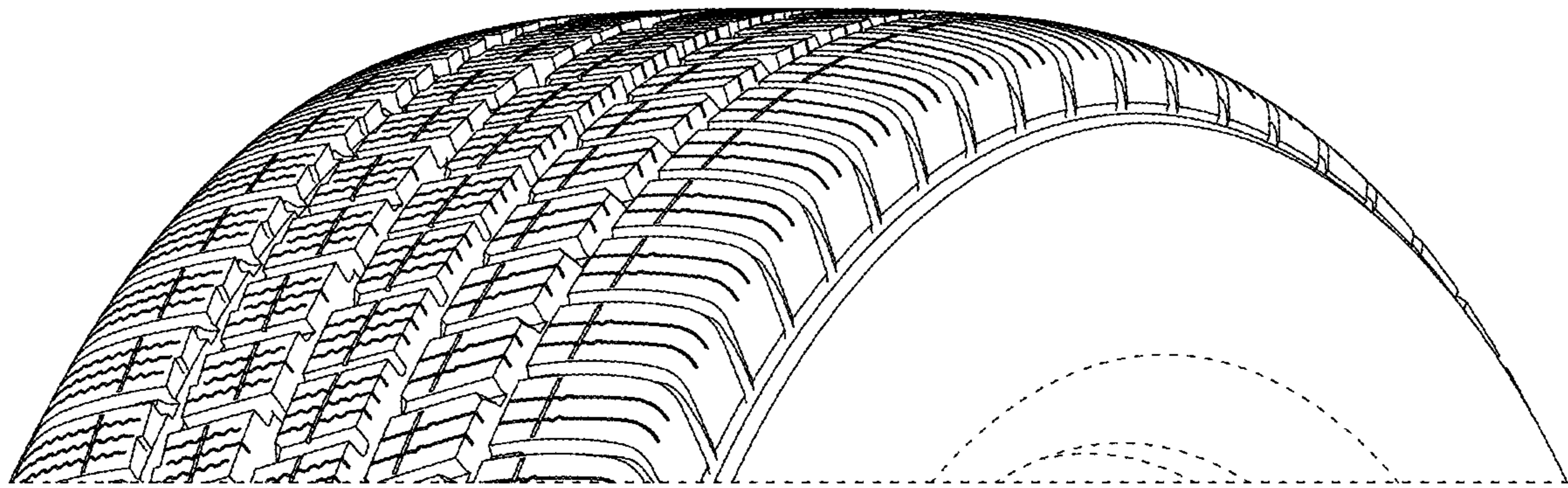


FIG. 7

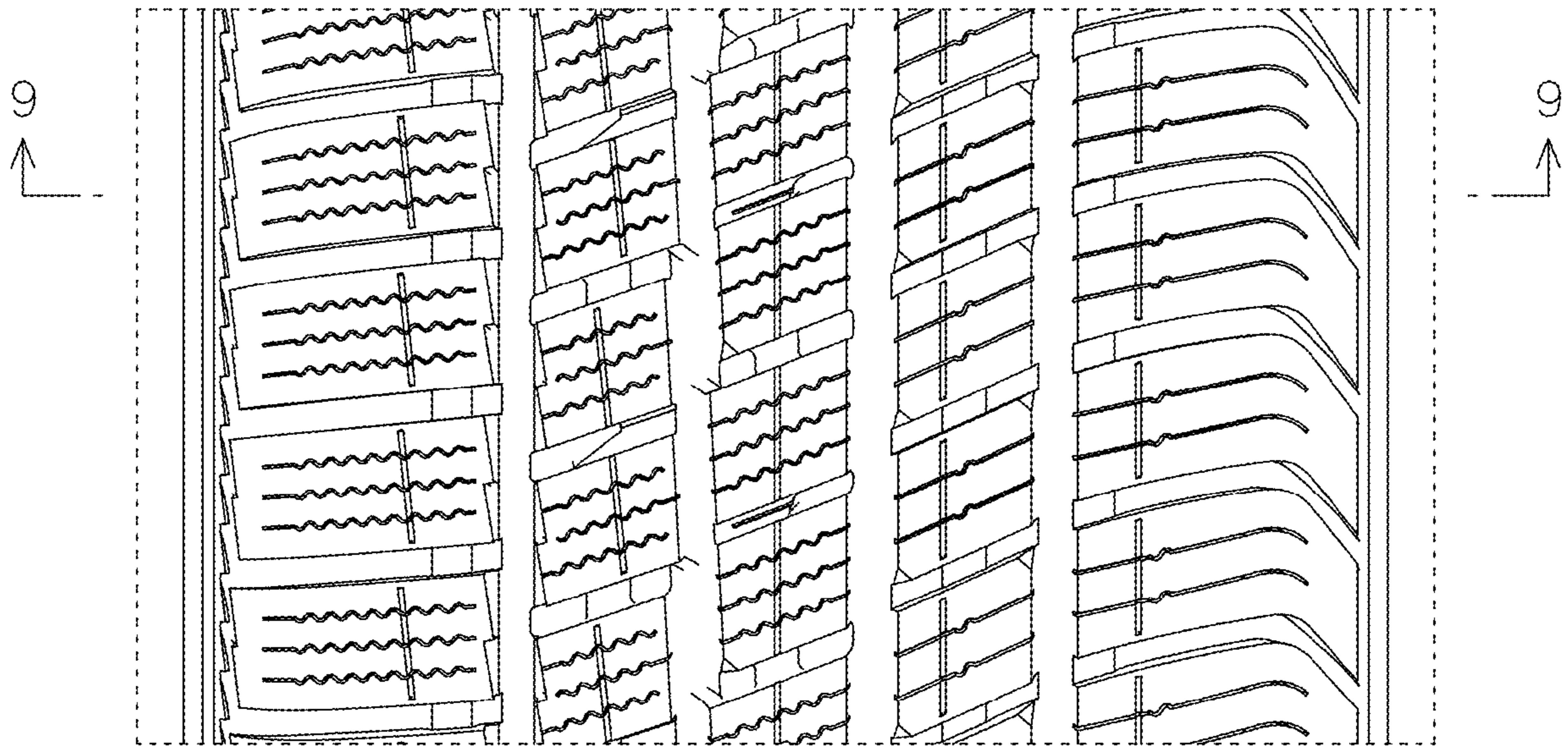


FIG. 8

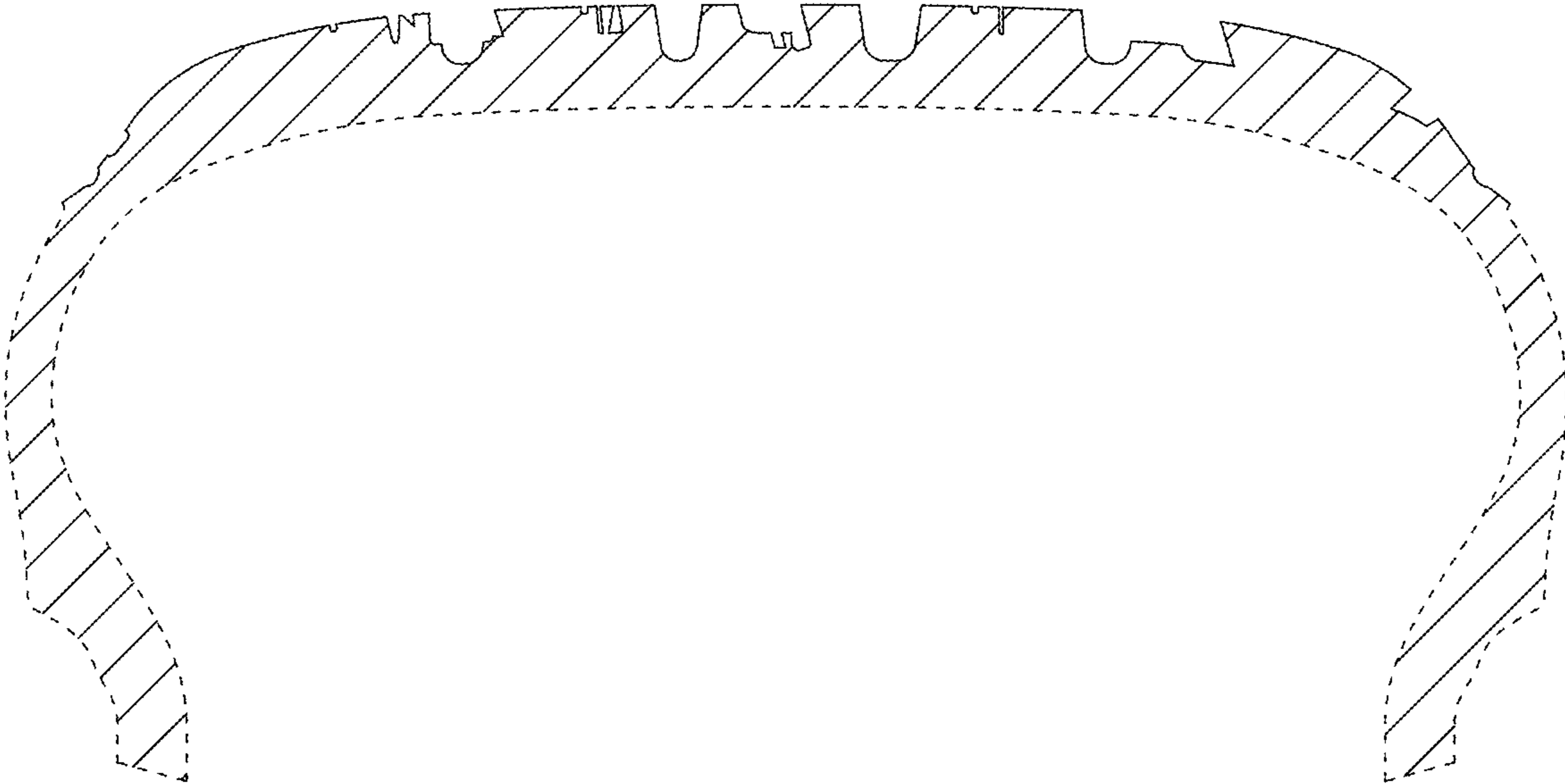


FIG. 9